

Ventilatori

Fans

Ventilateurs

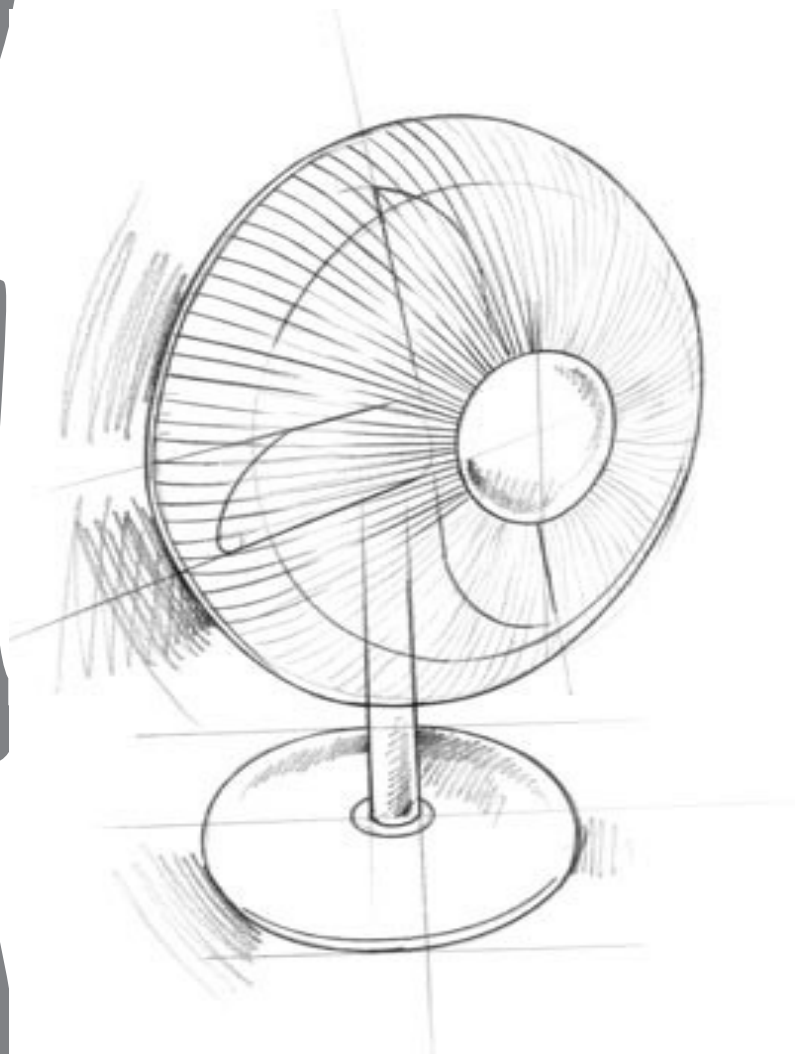
Ventilatoren

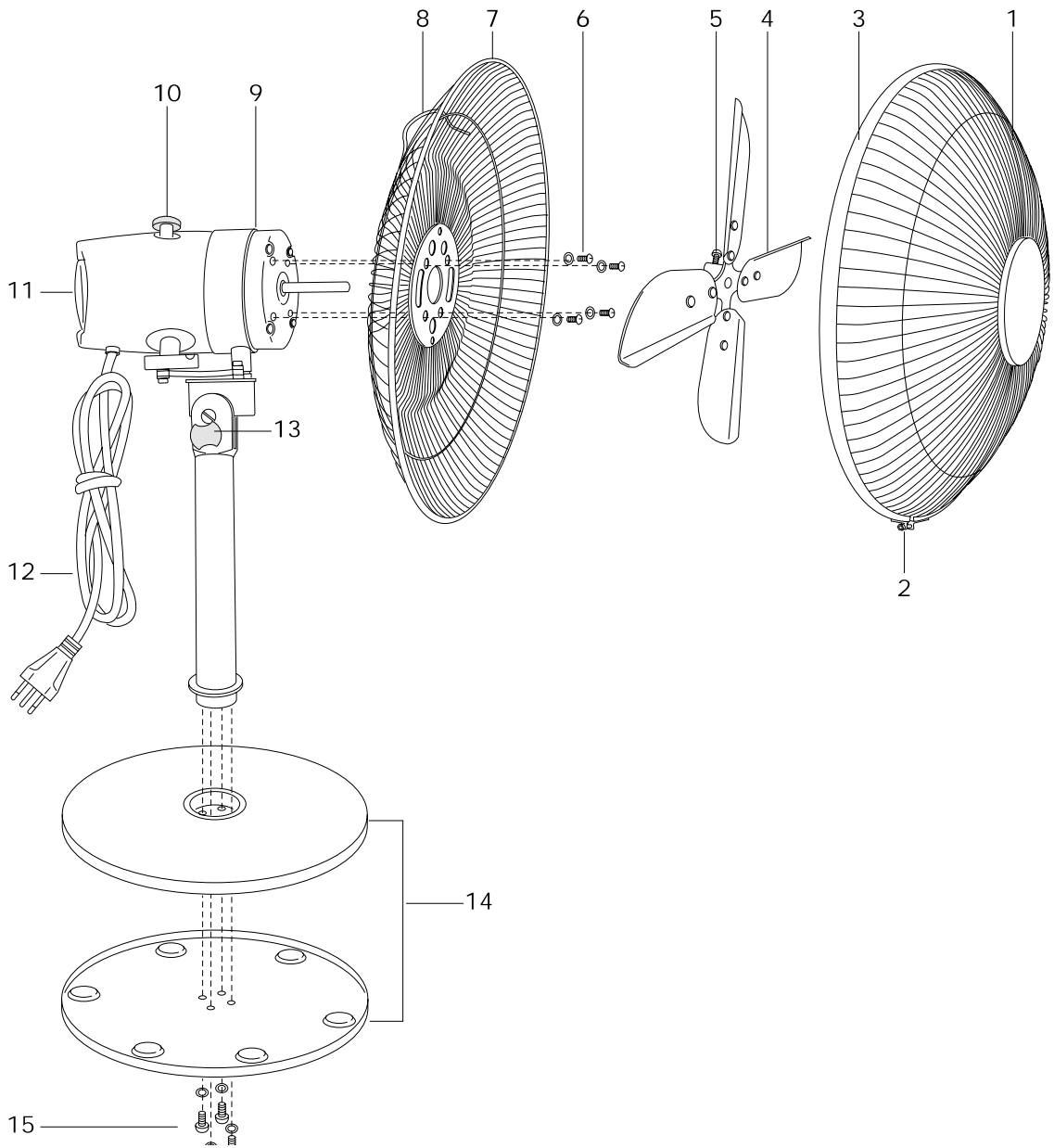
Ventilatoren

Ventiladores

Ventilação

ΑΝΕΜΙΣΤΗΡΕΣ





DESCRIPTION

- 1) Front guard
- 2) Safety screw plus nut
- 3) Guard surround
- 4) Propeller
- 5) Propeller fixing screw
- 6) Screws
- 7) Rear guard
- 8) Handle
- 9) Motor unit + shaft
- 10) Swing control
- 11) ON/OFF/MIN/MED/MAX knob
- 12) Power cable
- 13) Tilt control
- 14) Base
- 15) Screws

ASSEMBLING THE FAN

- Assemble the fan as follows:
- Remove the four screws and washers (15) from the base of the shaft (9), then attach the motor unit and shaft (9) to the fan base (14) using the four washers and screws (15).
- Remove the four central screws (6) and washers from the motor unit (9). Attach the rear guard to the motor unit, centring it and fixing it with the screws removed previously.

Note: When positioning the rear guard (7), make sure the handle (8) faces upwards.

- Fit the propeller (4) with the screw (5) facing the motor unit. Lock the propeller in position using the fixing screw (5), making sure it corresponds to the flattened area of the motor shaft.
- Position the front guard (1) near the rear guard (7) and fasten it using the surround (3), safety screw and nut (2).

IMPORTANT

Make sure your mains voltage corresponds to the voltage indicated on the rating plate.

- Connect your fan to an efficiently earthed socket only.
- Complete assembly before turning the appliance on.
- Children or infirm persons should not be allowed to use this product unsupervised
- Children should not be allowed to play with this appliance
- For indoor use only. Rain and water are dangerous in the presence of electricity.
- Use on stable horizontal surfaces only to avoid the fan tipping over.
- Do not use in damp environments or in particularly humid rooms such as bathrooms etc.
- Do not insert any object into the guard while the fan is in operation.
- Before removing the guard, always unplug from the mains.
- Incorrect installation could be hazardous, with the risk of electric shock.
- Always disconnect the appliance from the mains before cleaning or moving.
- If necessary, have the power cable replaced by a qualified person only.

Note: To avoid the risk of fire or electric shock, never use the appliance with additional speed controls.

Operation/Maintenance

OPERATION

- Plug the appliance into the mains.
- Turn the ON/OFF knob (11) to the required position (Min/Med/Max).
- To turn the appliance off, turn the ON/OFF knob (11) to "0".

For "swing" operation, screw up the swing control (10) clockwise or unscrew it anti-clockwise as required.

To adjust the tilt of the fan, use the tilt control (13) on the top of the shaft. This should be done with the fan off only.

MAINTENANCE

- Always unplug the fan from the mains before cleaning or maintenance.
- Never allow water to enter the fan controls.
- We recommend you keep the packaging your fan came in. You can use it to neatly store the dismantled fan during the cold season.
- To clean, use a soft dry cloth.
- Do not use detergents, solvents or abrasives.

This appliance complies with directive 89/336/EEC on radio interference suppression. The manufacturer declines all responsibility in the event of accidents caused by failure to follow these instructions or by misuse or negligence on the part of the user.

Electrical connection (U.K. only)

A) If your appliance comes fitted with a plug, it will incorporate a 13 Amp fuse. If it does not fit your socket, the plug should be cut off from the mains lead, and an appropriate plug fitted, as below.

WARNING: Very carefully dispose of the cut off plug after removing the fuse: do not insert in a 13 Amp socket elsewhere in the house as this could cause a shock hazard.


With alternative plugs not incorporating a fuse, the circuit must be protected by a 15 Amp fuse. If the plug is a moulded-on type, the fuse cover must be re-fitted when changing the fuse using a 13 Amp Asta approved fuse to BS 1362. In the event of losing the fuse cover, the plug must NOT be used until a replacement fuse cover can be obtained from your nearest electrical dealer. The colour of the correct replacement fuse cover is that as marked on the base of the plug.

B) If your appliance is not fitted with a plug, please follow the instructions provided below:

WARNING - THIS APPLIANCE MUST BE EARTHED IMPORTANT

The wires in the mains lead are coloured in accordance with the following code:

As the colours of the wires in the mains lead may not correspond with the coloured markings identifying the terminals in your plug, proceed as follows:

The green and yellow wire must be connected to the terminal in the plug marked with the letter E or the earth symbol  or coloured green or green and yellow.