



DRAPER[®]

230V

LAWN MOWER

20535



UK
CA CE

These instructions accompanying the product are the original instructions. This document is part of the product, keep it for the life of the product passing it on to any subsequent holder of the product. Read all these instructions before assembling, operating or maintaining this product.

This manual has been compiled by Draper Tools describing the purpose for which the product has been designed, and contains all the necessary information to ensure its correct and safe use. By following all the general safety instructions contained in this manual, it will ensure both product and operator safety, together with longer life of the product itself.

All photographs and drawings in this manual are supplied by Draper Tools to help illustrate the operation of the product.

Whilst every effort has been made to ensure the accuracy of information contained in this manual, the Draper Tools policy of continuous improvement determines the right to make modifications without prior warning.

1. TITLE PAGE

1.1 INTRODUCTION:

USER MANUAL FOR: 230V Lawn mower

Stock No: 20535.

Part No: GLM1600/400.

1.2 REVISIONS:

Date first published November 2020.

As our user manuals are continually updated, users should make sure that they use the very latest version.

Downloads are available from: <http://drapertools.com/manuals>

Draper Tools Limited
Hursley Road
Chandler's Ford
Eastleigh
Hampshire
SO53 1YF
UK

Website: drapertools.com

Product Help Line: +44 (0) 23 8049 4344

General Fax: +44 (0) 23 8026 0784

1.3 UNDERSTANDING THIS MANUALS SAFETY CONTENT:

Warning! – Information that draws attention to the risk of injury or death.

Important – Information that draws attention to the risk of damage to the product or surroundings.

1.4 COPYRIGHT © NOTICE:

Copyright © Draper Tools Limited.

Permission is granted to reproduce this publication for personal and educational use only.

Commercial copying, redistribution, hiring or lending is prohibited.

No part of this publication may be stored in a retrieval system or transmitted in any other form or means without written permission from Draper Tools Limited.

In all cases this copyright notice must remain intact.

2. CONTENTS

2.1 TABLE OF CONTENTS

1. TITLE PAGE	
1.1 INTRODUCTION:.....	2
1.2 REVISIONS:.....	2
1.3 UNDERSTANDING THIS MANUALS SAFETY CONTENT:.....	2
1.4 COPYRIGHT © NOTICE:.....	2
2. CONTENTS	
2.1 TABLE OF CONTENTS	3
3. WARRANTY	
3.1 WARRANTY.....	4
4. INTRODUCTION	
4.1 SCOPE.....	5
4.2 SPECIFICATION.....	5
4.3 HANDLING AND STORAGE.....	5
5. HEALTH AND SAFETY INFORMATION	
5.1 GENERAL SAFETY INSTRUCTIONS FOR POWER TOOL USE	6
5.2 ADDITIONAL SAFETY INSTRUCTIONS FOR LAWN MOWER.....	7
5.3 RESIDUAL RISK.....	9
5.4 CONNECTION TO THE POWER SUPPLY.....	9
6. TECHNICAL DESCRIPTION	
6.1 IDENTIFICATION.....	10
7. UNPACKING AND CHECKING	
7.1 PACKAGING.....	11
7.2 WHAT'S IN THE BOX	11
8. PREPARING THE LAWN MOWER	
8.1 UNFOLD AND LOWER HANDLES.....	12
8.2 LOCK LOWER HANDLES IN POSITION	12
8.3 SLIDE ON POWER CABLE RESTRAINT.....	12
8.4 ATTACH POWER CABLE RESTRAINT.....	13
8.5 WIND POWER CABLE INTO RESTRAINT	13
8.6 ATTACH HANDLE TO GRASS COLLECTION BOX.....	13
8.7 INSURE BLADE BOLT IS TIGHT.....	14
8.8 ADJUST HEIGHT OF CUT	14
9. OPERATION	
9.1 SWITCHING ON.....	15
9.2 HOOK ON GRASS BOX.....	15
10. MAINTENANCE AND TROUBLESHOOTING	
10.1 MAINTENANCE.....	16
10.2 TROUBLESHOOTING.....	16
11. EXPLANATION OF SYMBOLS	
11.1 EXPLANATION OF SYMBOLS.....	17
12. DISPOSAL	
12.1 DISPOSAL	18

3. WARRANTY

3.1 WARRANTY

Draper tools have been carefully tested and inspected before shipment and are guaranteed to be free from defective materials and workmanship.

Should the tool develop a fault, please return the complete tool to your nearest distributor or contact:

Draper Tools Limited, Chandler's Ford, Eastleigh, Hampshire, SO53 1YF. England.

Telephone Sales Desk: +44 (0) 8049 4333 or Product Help Line +44 (0) 23 8049 4344.

A proof of purchase **must** be provided with the tool.

If upon inspection it is found that the fault occurring is due to defective materials or workmanship, repairs will be carried out free of charge. This warranty period covering labour is 12 months from the date of purchase except where tools are hired out when the warranty period is 90 days from the date of purchase. The warranty is extended to 24 months for parts only. This warranty does not apply to any consumable parts, any type of battery or normal wear and tear, nor does it cover any damage caused by misuse, careless or unsafe handling, alterations, accidents, or repairs attempted or made by any personnel other than the authorised Draper warranty repair agent.

Note: If the tool is found not to be within the terms of warranty, repairs and carriage charges will be quoted and made accordingly.

This warranty applies in lieu of any other warranty expressed or implied and variations of its terms are not authorised.

Your Draper warranty is not effective unless you can produce upon request a dated receipt or invoice to verify your proof of purchase within the warranty period.

Please note that this warranty is an additional benefit and does not affect your statutory rights.

Draper Tools Limited.

4. INTRODUCTION

4.1 SCOPE

For the cutting of grass lawns. Ideal for medium-large sized lawns. Any other application is considered misuse.

4.2 SPECIFICATION

Stock No.	20535
Part No.	GLM1600/400
Rated voltage	230V~
Rated frequency	50Hz
Rated input	1600W
Cutting width	400mmØ
Grass collection box capacity	45L collapsible
Adjustable cutting heights.....	25, 35, 45, 55, 65, 75mm
Speed (no load)	3200min-1
Sound pressure level	LPA=84.2 dB(A), K=3
Sound power level	LWA=94.6 dB(A), K=1.82
Single value noise level (LWA)	96 dB(A)
Weight (machine only).....	14kg

4.3 HANDLING AND STORAGE

- Care must be taken when handling this product.
 - Dropping this lawn mower could have an effect on its accuracy and could also result in personal injury. This product is not a toy and must be respected.
- Environmental conditions can have a detrimental effect on this product if neglected.
 - Exposure to damp air can gradually corrode components. If the product is unprotected from dust and debris, components will become clogged.
 - If not cleaned and maintained correctly or regularly, the machine will not perform at its best.

5. HEALTH AND SAFETY INFORMATION

5.1 GENERAL SAFETY INSTRUCTIONS FOR POWER TOOL USE

When using any type of power tool there are steps that should be taken to make sure that you, as the user, remain safe.

Common sense and a respect for the tool will help reduce the risk of injury.

Read the instruction manual fully. Do not attempt any operation until you have read and understood this manual.

Most important you must know how to safely start and stop this machine, especially in an emergency.

Keep the work area tidy and clean. Attempting to clear clutter from around the machine during use will reduce your concentration. Mess on the floor creates a trip hazard. Any liquid spilt on the floor could result in you slipping.

Find a suitable location. If the machine is bench mounted, the location should provide good natural light or artificial lighting as a replacement. Avoid damp and dust locations as it will have a negative effect on the machine's performance. If the machine is portable do not expose the tool to rain. In all cases do not operate power tools near any flammable materials.

Keep bystanders away. Children, onlookers and passers by must be restricted from entering the work area for their own protection. The barrier must extend a suitable distance from the tool user.

Unplug and house all power tools that are not in use. A power tool should never be left unattended while connected to the power supply. They must be housed in a suitable location, away locked up and from children. This includes battery chargers.

Do not overload or misuse the tool. All tools are designed for a purpose and are limited to what they are capable of doing. Do not attempt to use a power tool (or adapt it in any way) for an application it is not designed for. Select a tool appropriate for the size of the job. Overloading a tool will result in tool failure and user injury. This covers the use of accessories.

Dress properly. Loose clothing, long hair and jewellery are all dangerous because they can become entangled in moving machinery. This can also result in parts of body being pulled into the machine. Clothing should be close fitted, with any long hair tied back and jewellery and neck ties removed. Footwear must be fully enclosed and have a non-slip sole.

Wear personal protective equipment (PPE). Dust, noise, vibration and swarf can all be dangerous if not suitably protected against. If the work involving the power tool creates dust or fumes wear a dust mask. Vibration to the hand, caused by operating some tools for longer periods must be protected against. Wear vibration reducing gloves and allow long breaks between uses. Protect against dust and swarf by wearing approved safety goggles or a face shield. These are some of the more common hazards and preventions, however, always find out what hazards are associated with the machine/work process and wear the most suitable protective equipment available.

Do not breathe contaminated air. If the work creates dust or fumes connect the machine (if possible) to an extraction system either locally or remotely. Working outdoors can also help if possible.

Move the machine as instructed. If the machine is hand held, do not carry it by the power supply cable. If the product is heavy, employ a second or third person to help move it safely or use a mechanical device. Always refer to the instructions for the correct method.

Do not overreach. Extending your body too far can result in a loss of balance and you falling. This could be from a height or onto a machine and will result in injury.

Maintain your tools correctly. A well maintained tool will do the job safely. Replace any damaged or missing parts immediately with original parts from the manufacturer. As applicable, keep blades sharp, moving parts clean, oiled or greased, handles clean, and emergency devices working.

Wait for the machine to stop. Unless the machine is fitted with a safety brake, some parts may continue to move due to momentum. Wait for all parts to stop, then unplug it from the power supply

5. HEALTH AND SAFETY INFORMATION

before making any adjustments, carrying out maintenance operations or just finishing using the tool.

Remove and check setting tools. Some machinery requires the use of additional tools or keys to set, load or adjust the power tool. Before starting the power tool always check to make certain they have been removed and are safely away from the machine.

Prevent unintentional starting. Before plugging any machine in to the power supply, make sure the switch is in the OFF position. If the machine is portable, do not hold the machine near the switch and take care when putting the machine down, that nothing can operate the switch.

Carefully select an extension lead. Some machines are not suitable for use with extension leads. If the tool is designed for use outdoors, use an extension lead also suitable for that environment. When using an extended lead, select one capable of handling the current (amps) drawn by the machine in use. Fully extend the lead regardless of the distance between the power supply and the tool. Excess current (amps) and a coiled extension lead will both cause the cable to heat up and can result in fire.

Concentrate and stay alert. Distractions are likely to cause an accident. Never operate a power tool if you are under the influence of drugs (prescription or otherwise), including alcohol or if you are feeling tired. Being disorientated will result in an accident.

Have this tool repaired by a qualified person. This tool is designed to conform to the relevant international and local standards and as such should be maintained and repaired by someone qualified, using only original parts supplied by the manufacturer. This will ensure the tool remains safe to use.

5.2 ADDITIONAL SAFETY INSTRUCTIONS FOR LAWN MOWER

Warning: Connect the machine only to a supply circuit protected by a residual current device (RCD) with a tripping current of not more than 30 MA.

- Keep bystanders away.
- Remove the plug from the socket before carrying out adjustment, cleaning or maintenance.
- Read user instructions before operating this machine.
- The lawn mower shall not be operated without either the entire grass catcher or the guard in place.

Warning: Do not touch rotating blade.

- Beware of blades. Blades continue to rotate after the motor is switched off. Remove plug from mains before maintenance or if cord is damaged.
- Keep supply cord away from the blades. Blades can cause damage to the cords and lead to contact with live parts.

1) Training

- Read the instructions carefully. Be familiar with the controls and the proper use of the appliances.
- Never allow children or people unfamiliar with these instructions to use the appliance. Local regulations may restrict the age of the operator.
- Never mow while people, especially children, or pets are nearby.
- The operator or user is responsible for accidents or hazards occurring to other people or their property.

2) Preparation

- While mowing, always wear substantial footwear and long trousers.
- Do not operate the appliance when barefoot or wearing open sandals.
- Thoroughly inspect the area where the appliance is to be used and remove all stones, sticks, wires bones and other foreign objects.

5. HEALTH AND SAFETY INFORMATION

- Before using, always visually inspect to see that the blades, blade bolts and cutter assembly are not worn or damaged. Replace worn or damaged blades and bolts in sets to preserve balance.
- On multi-bladed appliances, take care as rotating one blade can cause other blades to rotate.
- Prior to each use, thoroughly check the supply and extension cord for signs of damage or ageing.

Warning: Do not use the lawn mower if the cords are damaged or worn.

3) Operation Warning: Do not connect a damaged cord to the supply or touch a damaged cord before it is disconnected from the supply. A damaged cord can lead to contact with live parts.

- Mow only in daylight or in good artificial light.
- Avoid operating the appliance in wet grass, where feasible.
- Always be sure of your footing on slopes.
- Walk, never run.
- For wheeled rotary mowers, mow across the face of slopes, never up and down.
- Exercise extreme caution when changing direction on slopes.
- Do not mow excessively steep slopes.
- Use extreme caution when reversing or pulling the appliance towards you.
- Stop the blade(s) if the appliance has to be tilted for transportation when crossing surfaces other than grass, and when transporting the appliance to and from the area to be mowed.
- Never operate the appliance with defective guards or shields, or without safety devices, for example deflectors and/or grass catchers, in place.
- Switch on the motor according to instructions and with feet well away from the blade(s).
- Do not tilt appliance when switching on the motor, except if the appliance has to be tilted for starting. In this case, do not tilt it more than absolutely necessary and lift only the part which is away from the operator.
- Always ensure that both hands are in the operating position before returning the appliance to the ground.
- Do not put hands or feet near or under rotating parts. For rotary mowers, keep clear of the discharge opening at all times.

Warning: Do not touch the blades before the machine is disconnected from the supply and the blades have come to a complete stop.

- Never pick up or carry an appliance while the motor is running.
- Immediately disconnect the mains from the cord if it becomes damaged during use.
- Remove the plug from the socket.
 - whenever you leave the machine;
 - before cleaning a blockage;
 - before checking, cleaning or working on the machine
 - after striking a foreign object. Inspect the appliance for damage and make repairs as necessary;
 - if the appliance starts to vibrate abnormally (check immediately).

4) Maintenance and storage.

- Replace safety parts subjected to regular wear and tear.
- Keep all nuts, bolts and screws tight to be sure the appliance is in safe working condition.
- Check the grass catcher frequently for wear or deterioration.
- Replace worn or damaged parts for safety.
- For cylinder mowers, be careful during adjustment of the appliance to prevent entrapment of the

5. HEALTH AND SAFETY INFORMATION

fingers between moving blades and fixed parts of the appliance.

- For rotary mowers, ensure that only replacement cutting means of the right type are used.

5.3 RESIDUAL RISK

Important: Although the safety instructions and operating manuals for our tools contain extensive instructions of safe working with power tools, every power tool involves a certain residual risk which can not be completely excluded by safety mechanisms. Power tools must therefore always be operated with caution!

5.4 CONNECTION TO THE POWER SUPPLY

Caution: Risk of electric shock. Do not open.

This appliance is supplied with an approved plug and cable for your safety. The value of the fuse fitted is marked on the pin face of the plug. Should the fuse need replacing, ensure the substitute is of the correct rating, approved to BS1362 and ASTA or BS Kite marked.

ASTA 

BSI 

The fuse cover is removable with a small plain slot screwdriver. Ensure the fuse cover is replaced before attempting to connect the plug to an electrical outlet. If the cover is missing, a replacement must be obtained or the plug replaced with a suitable type.


If a replacement plug is to be fitted this must be carried out by a qualified electrician.

The damaged or incomplete plug, when cut from the cable should be disabled to prevent connection to a live electrical outlet.

This appliance is Class II† and is designed for connection to a power supply matching that detailed on the rating label and compatible with the plug fitted.

If an extension lead is required, use an approved and compatible lead rated for this appliance.

Follow all the instructions supplied with the extension lead.

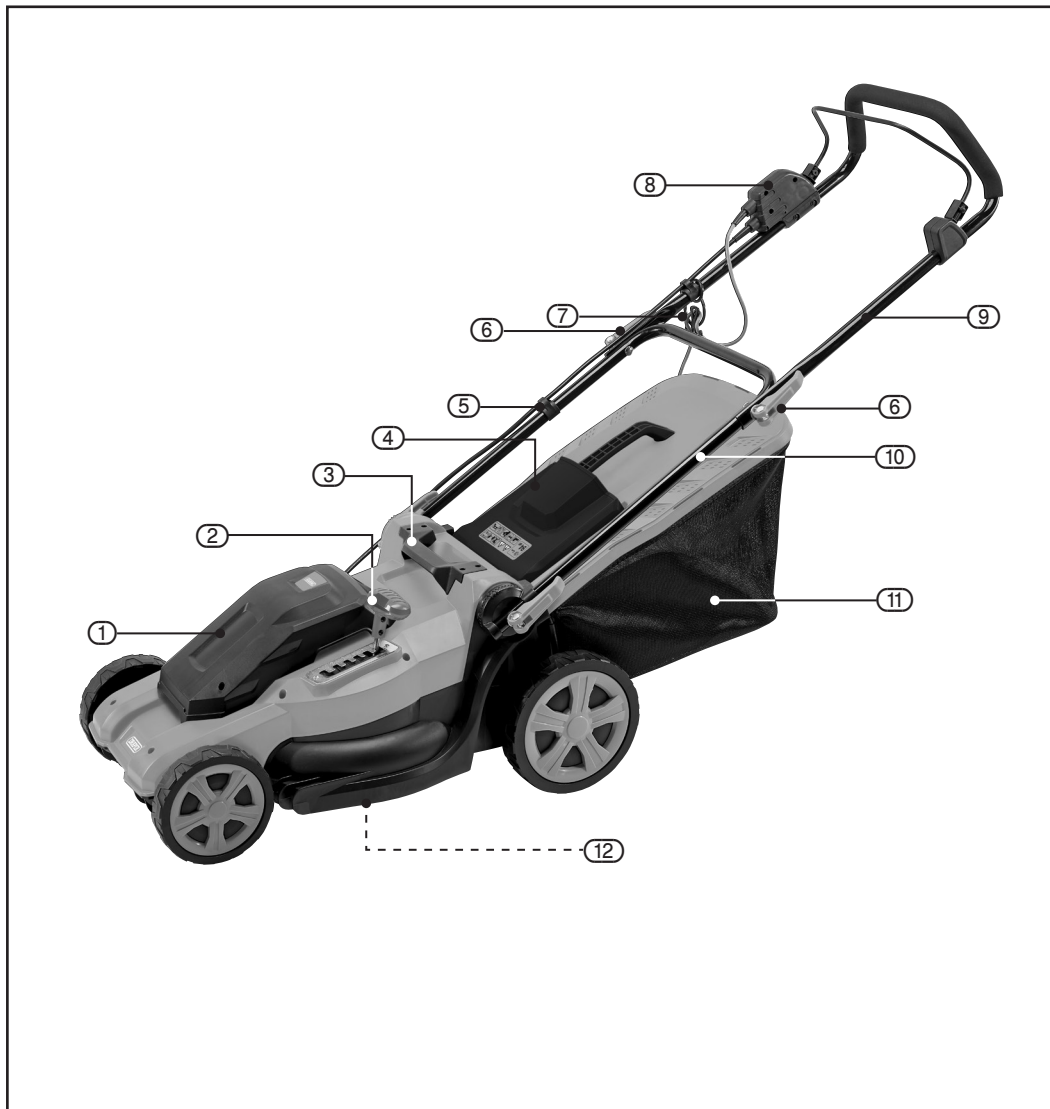
[†]*Double insulated : This product requires no earth connection as supplementary insulation is applied to the basic insulation to protect against electric shock in the event of failure of the basic insulation.*

IMPORTANT

If using an extension lead, follow the instructions that came with your lead regarding maximum load while cable is wound. If in doubt, ensure that the entire cable is unwound. Using a coiled extension lead will generate heat which could melt the lead and cause a fire.

6. TECHNICAL DESCRIPTION

6.1 IDENTIFICATION



- ① Main mower motor/body.
- ② Cutting height selector.
- ③ Centralised carrying handle.
- ④ Deflector guard.
- ⑤ Cable clips.
- ⑥ Handle connection fixing.
- ⑦ Power cable restraint.

- ⑧ Motor switch.
- ⑨ Upper handle section.
- ⑩ Lower handle section.
- ⑪ Grass collection box.
- ⑫ Rotary cutting blade

7. UNPACKING AND CHECKING

7.1 PACKAGING

Carefully remove the product from the packaging and examine it for any sign of damage that may have happened during shipping. Lay the contents out and check them against the parts shown below. If any part is damaged or missing, please contact the Draper Help Line (the telephone number appears on the Title page) and do not attempt to use the product.

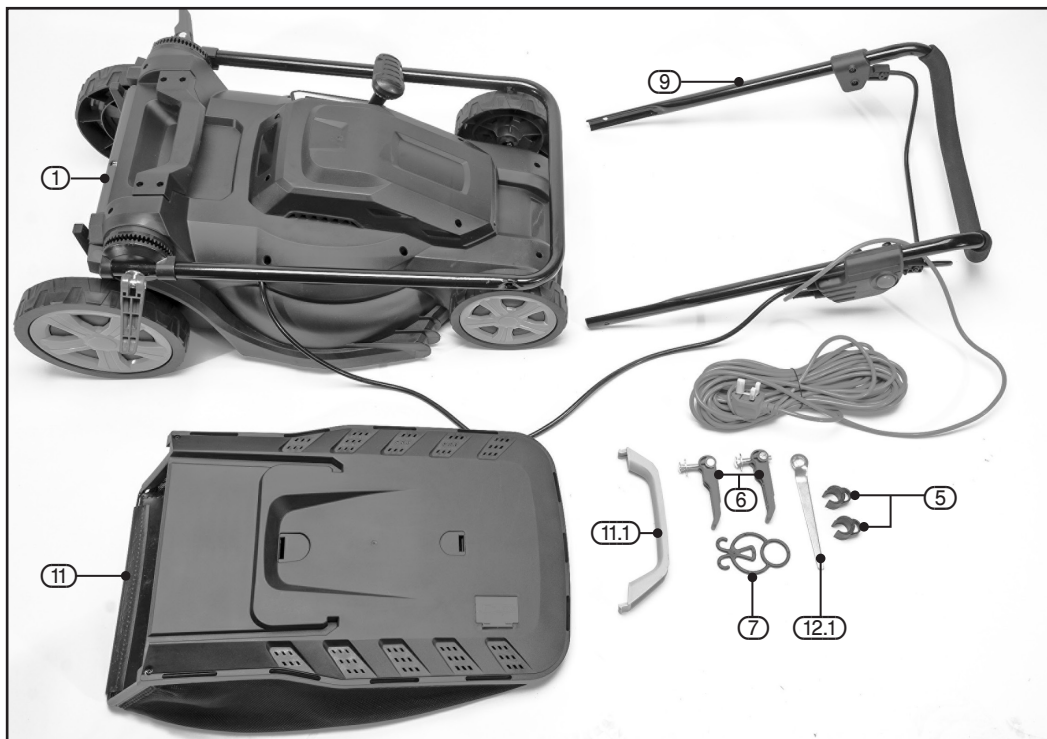
The packaging material should be retained at least during the warranty period, in case the machine needs to be returned for repair.

Warning!

- Some of the packaging materials used may be harmful to children. Do not leave any of these materials in the reach of children.
- If any of the packaging is to be thrown away, make sure they are disposed of correctly, according to local regulations.

7.2 WHAT'S IN THE BOX

As well as the main product, there are several parts not fitted or attached to it.



① Main mower motor/body.

⑤ Cable clips.

⑥ Handle connection fixing.

⑦ Power cable restraint.

⑨ Upper handle section.

⑪ Grass collection box.

⑪.1 Grass collection box handle.

⑫.1 Blade spanner.

8. PREPARING THE LAWN MOWER

8.1 UNFOLD AND LOWER HANDLE – FIG.1

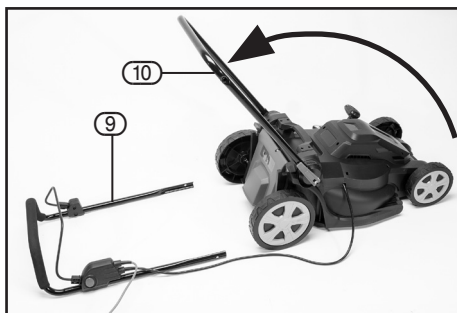


FIG.1

8.2 LOCK LOWER HANDLE IN POSITION – FIG.2

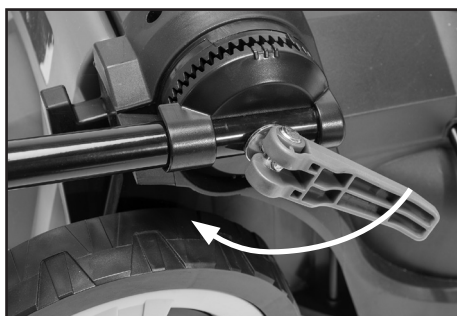


FIG.2

8.3 SLIDE ON POWER CABLE RESTRAINT – FIG.3

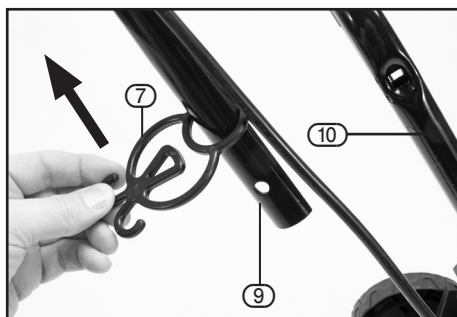


FIG.3

8. PREPARING THE LAWN MOWER

8.4 ATTACH UPPER HANDLE SECTION – FIG.4

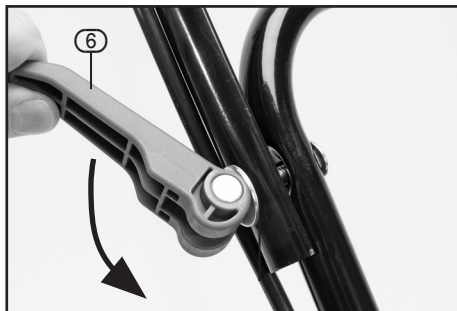


FIG.4

8.5 WIND POWER CABLE INTO RESTRAINT – FIG.5

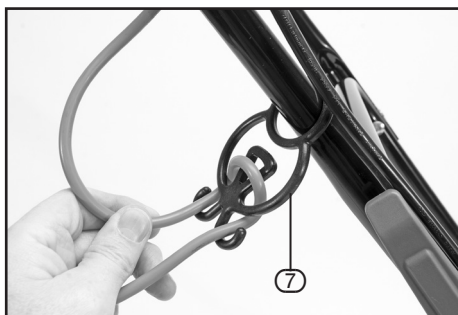


FIG.5

8.6 ATTACH HANDLE TO GRASS COLLECTION BOX – FIG.6

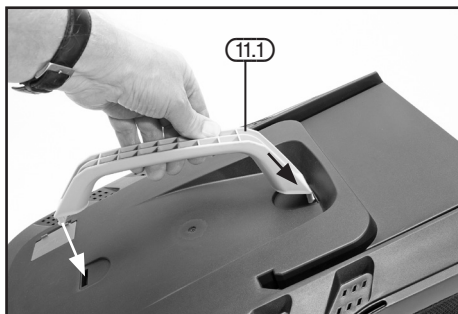


FIG.6

8. PREPARING THE LAWN MOWER

8.7 ENSURE BLADE BOLT IS TIGHT – FIG.7

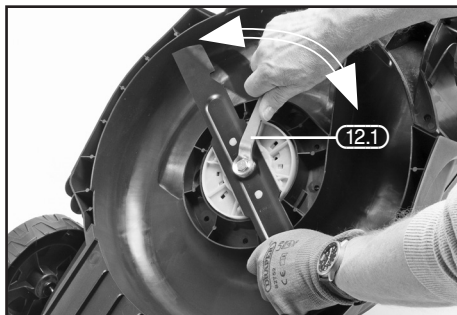


FIG.7

8.8 ADJUST HEIGHT OF CUT – FIG.8.



FIG.8

9. OPERATING INSTRUCTIONS

9.1 SWITCHING ON – FIG.9.

Warning! Always remove the power plug before making adjustments to the equipment.

It is highly recommended that this machine is used in conjunction with a residual current device (R.C.D) – Draper Stock No.69307.

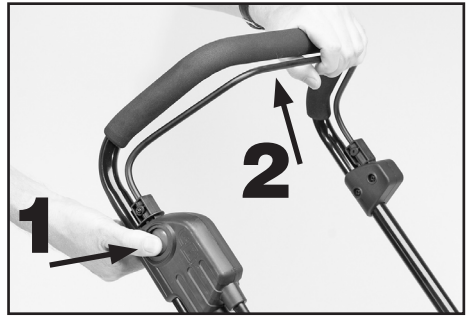


FIG.9

9.2 HOOK ON GRASS BOX – FIG.10.



FIG.10

10. MAINTENANCE AND TROUBLESHOOTING

10.1 MAINTENANCE – FIGS.12 – 13.

Regular inspection and cleaning reduces the necessity for maintenance operations and will keep your mower in good working condition.

The motor must be correctly ventilated during operation. Avoid blocking the air inlets and vacuum the ventilation slots regularly.

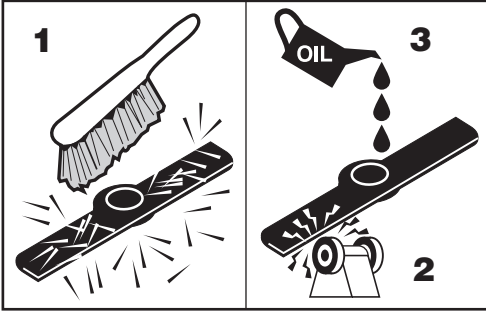


FIG.11

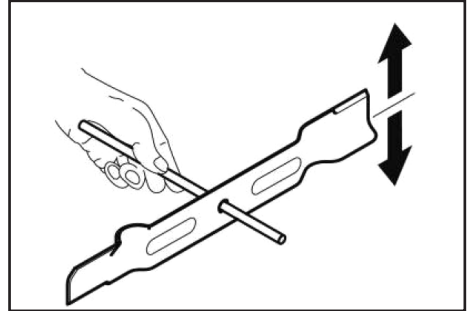


FIG.12

10.2 TROUBLESHOOTING GUIDE

Problem	Remedy
Mower won't switch on.	<ul style="list-style-type: none">– Check mains power.– Check, and if necessary, replace fuse.– With the mower disconnected from the power supply, check the blade rotates (there is some friction due to the brake). If the blade does not move, contact a service repair agent.
Mower vibrates in use.	<p>Stop using immediately!</p> <ul style="list-style-type: none">– Disconnect the mower from the power supply.– Wait until the blade has completely stopped rotating.– Check to see if the blade bolt is loose – tighten if necessary– If the blade bolt is already tight, contact Draper or service agent.
Mower does not pick up grass cuttings.	<ul style="list-style-type: none">– Grass collection box is full – empty the box.– Grass is wet – wait until grass is dry.– The underside of the deck is clogged with grass cuttings – disconnect the power supply and clean the underside of the deck
Uneven cutting	<ul style="list-style-type: none">– Cutting height set too low – set higher.– Blade is blunt – re-sharpen or replace blade

11. EXPLANATION OF SYMBOLS

11.1 EXPLANATION OF SYMBOLS



Read the instruction manual.



Warning!

Wear suitable eye/face protection.



Warning!

Keep bystanders away.



Warning!

Risk of danger to wildlife.



Warning!

Remove plug from power supply before maintenance.



Warning!

Keep supply cord away from cutting blade.



Danger!

Beware of sharp blades.



Danger!

Risk of flying debris.



Danger!

Risk of electrocution.



Class II construction
(Double insulated).



WEEE –
Waste Electrical & Electronic Equipment.
Do not dispose of Waste Electrical & Electronic
Equipment in with domestic rubbish.



Continuous A-Weighted Sound
Pressure Level.

12. DISPOSAL

12.1 DISPOSAL

- At the end of the machine's working life, or when it can no longer be repaired, ensure that it is disposed of according to national regulations.
- Contact your local authority for details of collection schemes in your area.

In all circumstances:

- Do not dispose of power tools with domestic waste.
- Do not incinerate.
- Do not dispose of WEEE* as unsorted municipal waste.



* *Waste Electrical & Electronic Equipment.*

CONTACTS

Draper Tools Limited, Hursley Road,
Chandler's Ford, Eastleigh, Hampshire. SO53 1YF. U.K.

Help Line: (023) 8049 4344

Sales Desk: (023) 8049 4333

Internet: drapertools.com

E-mail: sales@drapertools.com

General Enquiries: (023) 8026 6355

Service/Warranty Repair Agent:

For aftersales servicing or warranty repairs, please contact the Draper Tools Help Line for details of an agent in your local area.

YOUR DRAPER STOCKIST

TAMC1120

©Published by Draper Tools Limited.

No part of this publication may be reproduced, stored in a retrieval system or transmitted in any form or by any means, electronic, mechanical photocopying, recording or otherwise without prior permission in writing from Draper Tools Ltd.