

IMPORTANT, RETAIN FOR FUTURE REFERENCE:  
READ CAREFULLY



The schematics in this manual are for assembly and operation illustration only.  
They may differ from the actual appearance.

For assistance with use, parts, or customer service, please contact:

***ATLeisure, LLC***

Customer Service is available by email at [customerservice@atleisure.com](mailto:customerservice@atleisure.com) or  
chat at <https://help.atleisure.com> 8 AM – 5 PM EST, Monday – Friday.

DO NOT RETURN TO STORE

# Contents

---

Canopy Care .....	2
Warnings and Cautions .....	2
Preparation .....	3
Package Contents .....	3
Assembly .....	4-6
Operation .....	7-8
Warranty .....	9
Replacements Parts .....	9
How to Replace Battery .....	10

# Canopy Care

---

- Simply clean the umbrella canopy with soft brush and mild detergent.
- DO NOT machine wash or dry.
- DO NOT iron.
- Air dry the canopy thoroughly before storing for extended period of time.  
Make sure the canopy is completely open during the drying process to prevent shrinkage

# Warnings and Cautions

---

1. Read the entire instructions before beginning and follow the steps outlined. Failure to assemble and install as instructed could result in the umbrella tipping over causing personal injury and or property damage.
2. This umbrella is designed for easy operation, sunshade and decoration purpose only. It is NOT recommended that this umbrella be used during periods of high wind and rain. Always take the umbrella down during high or gusting wind and rain, when not in use and in the off-season. Failure to do so may result in personal injury and/or property damage.
3. Please keep children away from the umbrella during assembly to avoid injury.

NOTE: Placement of the umbrella over or near a swimming pool will cause premature fading not covered under our warranty, especially darker colors. Please contact customer service to purchase a replacement canopy.

NOTE: To prevent damage to the canopy DO NOT leave the umbrella open directly facing the wind. Always take down the umbrella when not in use and during high or gusting wind and rain.



## Preparation

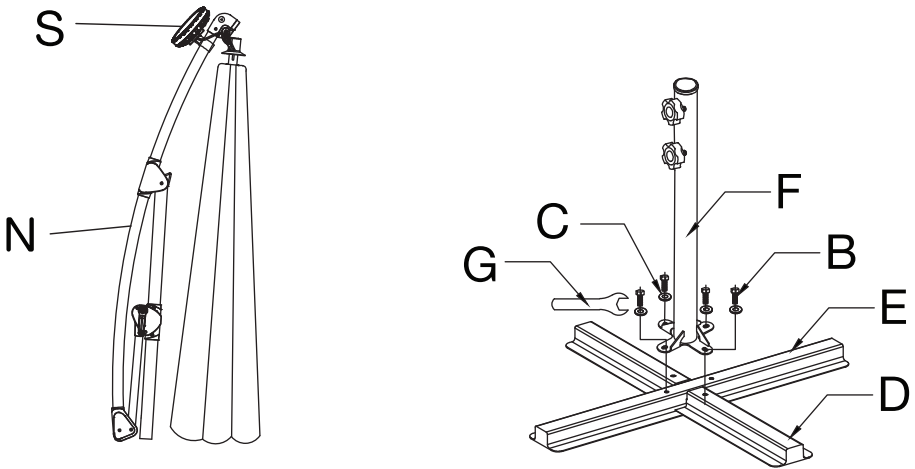
Remove all protective materials. Be careful not to throw away small parts such as bolts, washers, etc., that may be wrapped in the protective materials.

Before assembling make sure all parts are present. Compare parts with package contents list. If any part is missing or damaged, do not attempt to assemble the product. Contact our customer service representative for assembly assistance at [customerservice@atleisure.com](mailto:customerservice@atleisure.com) or chat with us at <https://help.atleisure.com> 8 AM - 5 PM EST, Monday - Friday.

Estimated Assembly Time: 20 minutes

Tools Required for Assembly: Open-end wrench included.

## Package Contents



Part	Description	Quantity
B	Hex Bolt (M8x20)	4
C	Flat Washer (M8)	4
D	Lower Cross Leg	1
E	Upper Cross Leg	1
F	Holder Pole	1
N	Umbrella frame with Canopy	1
S	Solar Panel	1
G	Wrench	1

# Assembly

---

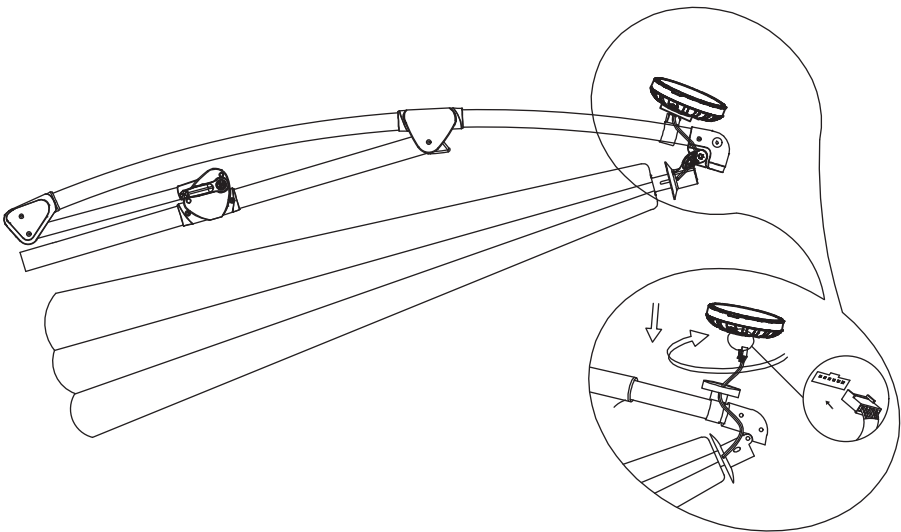
## ATTENTION: BEFORE OPENING UMBRELLA

**Step 1:** Insert the plug into the socket under the solar panel. Put the solar panel on the top of umbrella and hide the plug and wire inside the groove at the top of umbrella. Then turn the solar panel clockwise.

Do not over tighten. Please remove the plastic film on the solar panel. This protective plastic film is to prevent damage during shipment.

Put solar umbrella under the sunlight for 8 hours to charge battery for first use. Charging for less time will shorten lifespan of battery and decrease performance.

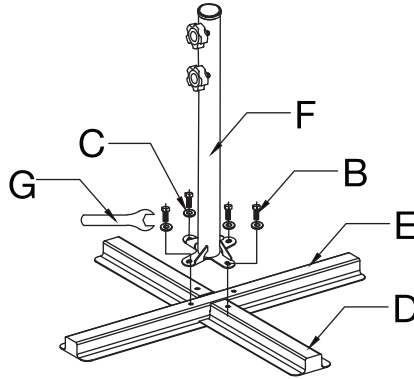
Ensure the switch on the umbrella rib is in OFF position. Solar panel will not be charged if lights are switched to ON position.



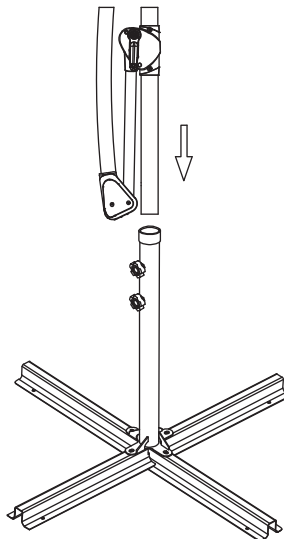
# Assembly

---

**Step 2:** Place the upper cross leg (E) on the top of lower cross leg (D). Then attach the holder pole (F) to the cross legs, insert the bolts (B) and washers by wrench (G). Adjust the holder pole (F) to be sure that it is positioned correctly on the base and tighten the bolts. Be careful to not over tighten the bolts.

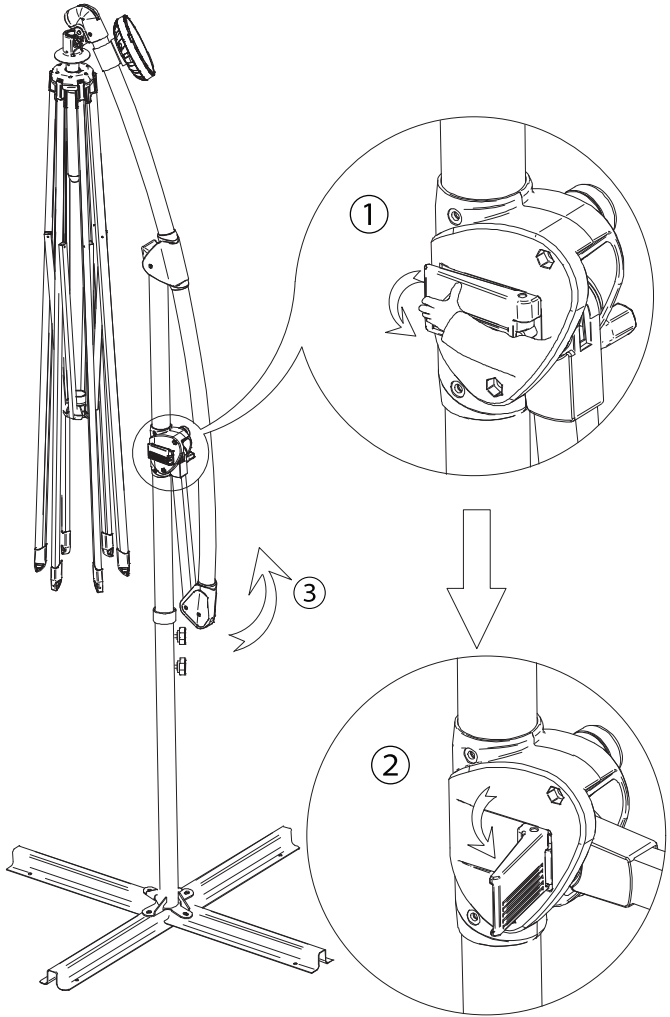



**Step 3:** Loosen the two control knobs, then Insert the pole of the Umbrella Frame with Canopy (N) into the Holder Pole (F). Tighten the two control knobs to secure the main pole.



# Assembly (continued)

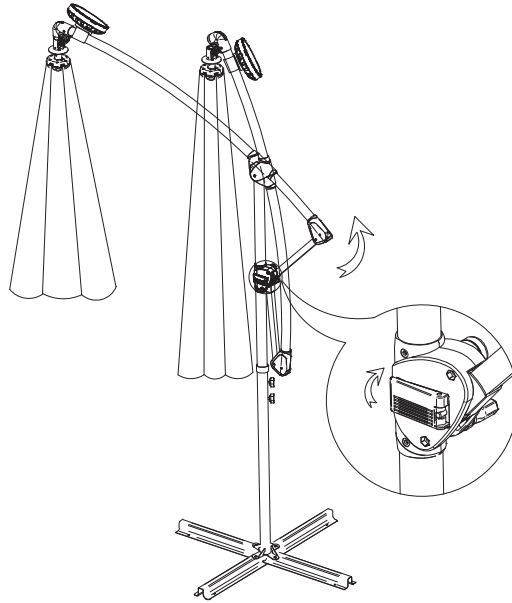
**Step 4:** Unlock the trigger and push up the arm and open the umbrella.



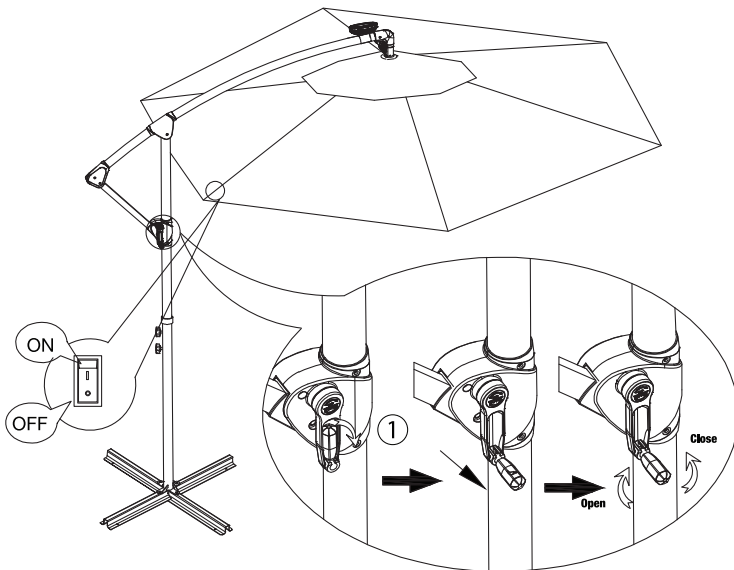
 **WARNING:** Be sure to secure and/or weight the cross leg base of the umbrella with at least 150 lbs to prevent the umbrella from tipping over with umbrella base (sold separately)

# Umbrella Operation

**Step 5:** Push up and fully open the umbrella arm. Lock the trigger.



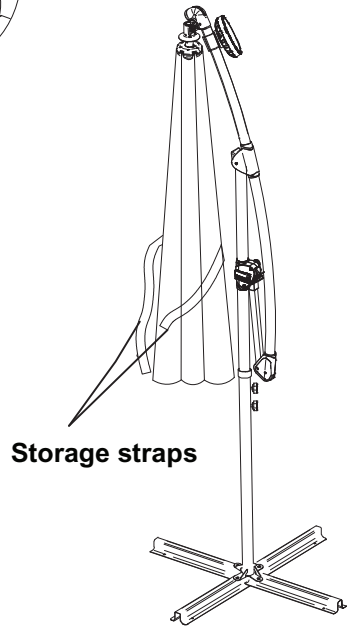
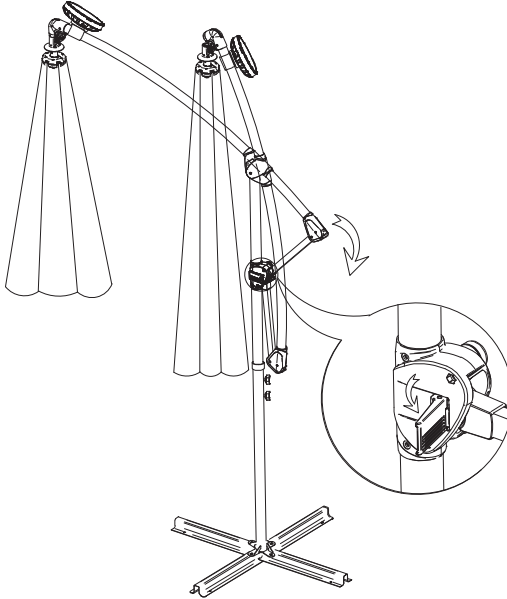
**Step 6:** Open the folded crank as below drawings. Then open the canopy by the handle. Turn on the light by pressing switch to ON position.



## Umbrella Operation

---

**Step 7:** After finish using, please make sure the switch on the umbrella rib is in OFF position. Then close the canopy by turn the handle counterclockwise, unlock the trigger, pull down the umbrella arm, lock the trigger and fasten the storage straps.



# Warranty

---

## ONE YEAR WARRANTY

This product is covered under a manufacturer's one year warranty from date of purchase against defects in materials and workmanship. This warranty does not cover damage due to neglect, abuse or weather related damage. This warranty gives you specific legal rights, and you may also have other rights which vary from state to state.

## Filing a Claim

---



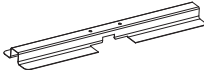
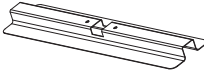

If you are within your warranty, you may file a claim by sending your receipt and pictures of your damaged umbrella to ATLeisure at:

Email: [customerservice@atleisure.com](mailto:customerservice@atleisure.com) or chat with us at <https://help.atleisure.com> 8:00 AM to 5:00 PM EST (Monday - Friday)

## Replacement Parts

---

For replacement parts, email us at [customerservice@atleisure.com](mailto:customerservice@atleisure.com) or chat with us at <https://help.atleisure.com> 8:00 AM to 5:00 PM EST (Monday - Friday)

Description	Picture	Re-order Number
Holder Pole (with control knobs)		HDP-F48X-BWN-T
Canopy		CAN-10B6RBP-T
Upper Cross Leg		CSL-D48X-BWN-T
Lower Cross Leg		CSL-C48X-BWN-T
Solar Panel		SOL-933060

# How to replace the batteries

**Step 1:** We recommend that change the battery in your solar light umbrella every year or when you feel the light output is diminished. For best results buy (1) 18650 Lithium 2000mAh rechargeable battery same as supplied with panel. Install only new batteries.

Failure to insert battery in the correct polarity, as indicated in the battery compartment, may shorten the life of the battery or cause the battery to leak. Do not dispose of battery in fire. Battery should be recycled or disposed of as per state and local guidelines. Do not mix old and new batteries. Do not mix Alkaline, Standard (Carbon-Zinc) or Rechargeable (Nickle Cadmium) or (Nickle Metal Hydride) batteries.

**Tools required: Phillips head screw driver (not included).**

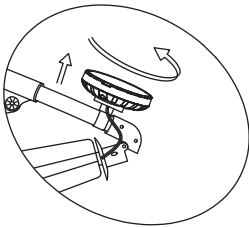


Figure 1

**Step 1:** Screw counterclockwise and remove the solar panel from the top of the umbrella as shown in Figure 1.

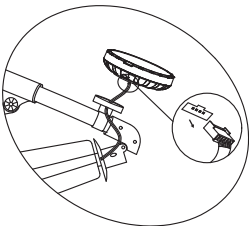


Figure 2

**Step 2:** Pull out the plug of the socket under the solar panel. Pull by holding the plug, not by pulling on the wires as shown in Figure 2.

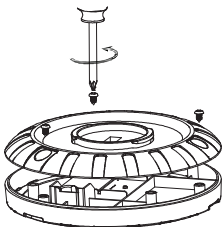


Figure 3

**Step 3:** Put the solar panel upside down on a flat, non-abrasive surface to avoid scratching. Loosen all screws on the solar panel bottom case as shown in Figure 3.

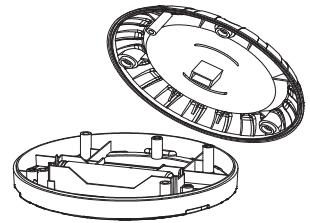


Figure 4

**Step 4:** Carefully open the bottom case and set aside. Replace the battery, matching the +/- on the battery with the +/- on the battery case as shown in Figure 4.

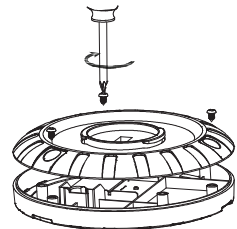


Figure 5

**Step 5:** Carefully put the bottom case back. Align the screw holes then tighten the screws. Do not over tighten the screws as shown in Figure 5.

Your solar umbrella is ready to use again!

**For everyday normal use, turn on the light switch at night when you want to use solar light and turn off the switch after use.**

U.S. Patent No.  
6,612,713 & 7,753,546  
8,069,868 & 8,375,966  
8,727,555 & 8,794,781  
9,470,413

BACKYARD  
*Creations*®

For assistance with use, parts, or customer service, please contact:

***ATLeisure, LLC***

Customer Service is available by email at [customerservice@atleisure.com](mailto:customerservice@atleisure.com) or  
chat at <https://help.atleisure.com> 8 AM – 5 PM EST, Monday – Friday.

DO NOT RETURN TO STORE

2024 Distributed by Menards, Inc. Eau Claire, WI 54703  
Made in China