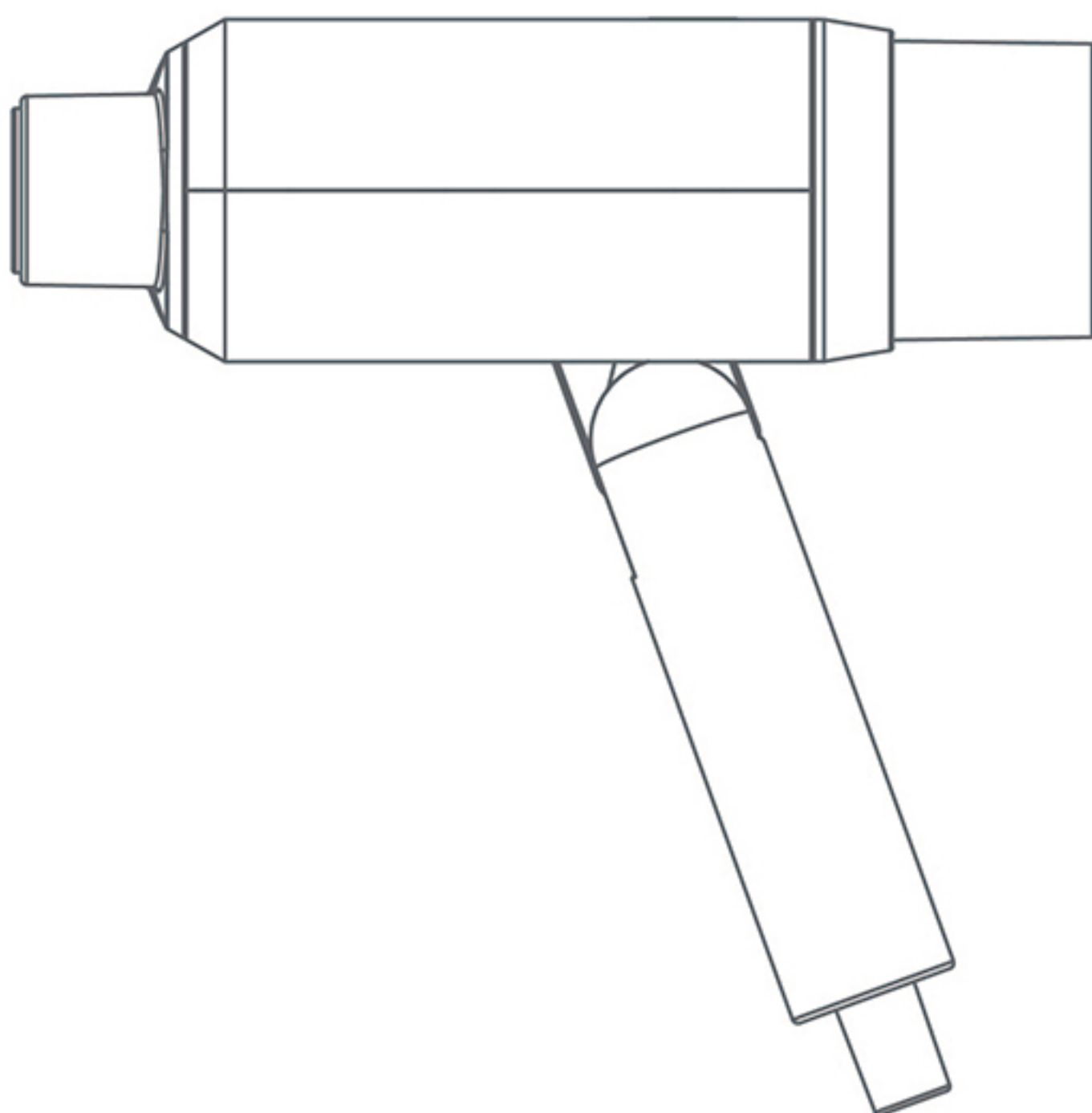


Newbealer

HANDHELD GARMENT STEAMER

NB316A



USER MANUAL

Please read this manual carefully before using and keep this in a safe place for future reference.

IMPORTANT SAFETY INSTRUCTIONS

When using your appliance, basic precautions should always be followed, including the following:

1. Read all instructions.
2. To reduce the risk of contact with hot water emitting from steam vents, check the appliance before each use by holding it away from the body and operating the steam button.
3. Use appliance only for its intended use.
4. To reduce the risk of electric shock, do not immerse the appliance in water or other liquids.
5. Never yank the cord to disconnect from the outlet; instead, grasp the plug and pull to disconnect.
6. Do not allow the cord to touch hot surfaces. Let the appliance cool completely before putting it away. Loop cord loosely around the appliance when storing.
7. Always disconnect the appliance from the electrical outlet when filling with water or emptying, and when not in use.
8. Do not operate any appliance with a damaged cord, or if the appliance has been dropped or damaged. To reduce the risk of electric shock, do not disassemble or attempt to repair the appliance, take it to a qualified service person for examination and repair. Incorrect reassembly or repair could cause a risk of fire, electric shock, or injury to persons when the appliance is used.
9. Close supervision is necessary for any appliance being used by or near children, Do not leave the appliance unattended while connected.

10. Burns could occur from touching hot metal parts, hot water, or steam. Use care when you turn a steam appliance upside down - there may be hot water in the reservoir.

11. The voltage of the power source must be compatible with the voltage displayed on the rating plate of this steamer (120V/60Hz).

12. The surface of your steamer may get hot when it will be in use. Always use a handle to avoid burning your skin.

Warning

1) To reduce the likelihood of circuit overload, do not operate another high wattage appliance on the same circuit.

2) If an extension cord is absolutely necessary, a 10 ampere rated cord should be used. Cords rated for less amperage may overheat. Care should be taken to arrange the cord so that the cord cannot be pulled or tripped over.

3) To reduce the risk of electric shock, this appliance has a polarized plug. This plug will fit in a polarized outlet only one way. If the plug does not fit fully in the outlet, reverse the plug. If it still does not fit, contact a qualified electrician to install the proper outlet. Do not change the plug in any way.

4) Do not use the steamer if it has fallen from a high place, or if there are visible signs of damage or leakage.

5) Never use the steamer on clothes that are being worn. Never direct the steamer towards people or animals.

6) Do not use the steamer outdoors, operate it where aerosol products are being used or where oxygen is being manipulated.

7) Do not place the steam nozzle directly on any surface or on the appliance power cord while it is not or plugged in.

SAVE THESE INSTRUCTIONS

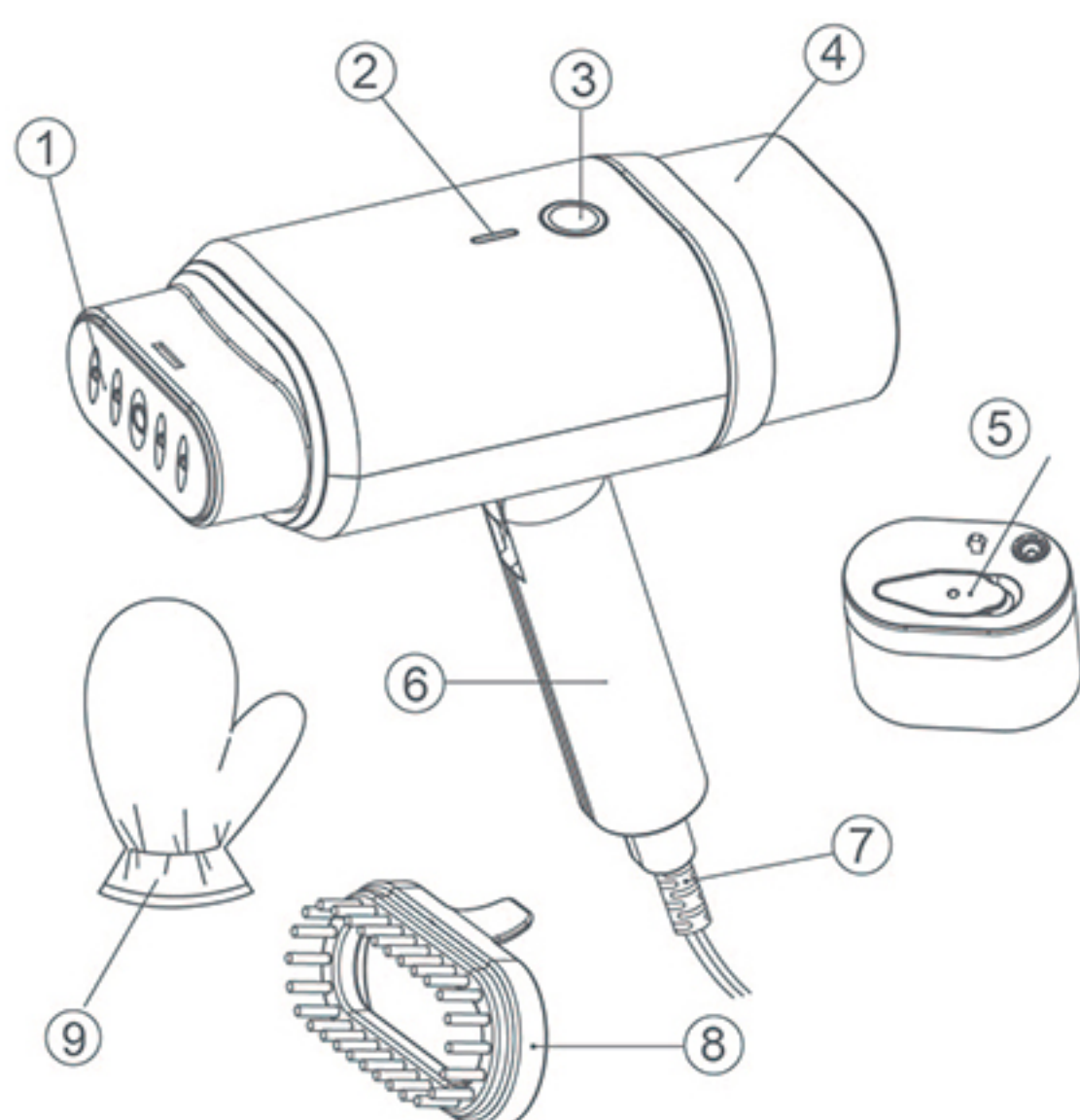
Using Tips

- Always unplug ASAP after each use to really turn off the unit.
- Use the water tank correctly! Please always align the latch when pushing in to avoid damage.
- Only fill the water tank with de-mineralized or distilled water. Other liquids may damage the steamer.
- Do not put any additives in the water tank. These can damage the steamer.
- There may be leakage from the steam head if the steamer's temperature is not high enough to vaporize water and generate steam. Therefore, make sure the steamer is always preheated for 20s before use
- Always unplug the steamer before attaching or detaching the attachment brush.
- Before storing the appliance, please wait half an hour for the appliance to completely cool down.
- Only use officially provided attachments and accessories.

Product Details

Parts Identification:

1. Steam Head
2. Power Indicator Light
3. Power Button
4. Water Tank
(removable)
5. Water tank inlet cap
6. Handle
7. Cord exit
8. Fabric Brush
(removable)
9. Anti-heat Glove



Included Items

- 1 x Garment Steamer
- 1 x User Manual

- 1 x Fabric brush
- 1 x Anti-heat Glove

***Note:** When unpacking the garment steamer, check if you have received all the items listed.

Specifications

Product: Handheld Garment Steamer	Rated Power: 1200W
Model: NB316A	Rated Voltage: AC 120V ~ 60Hz
Working Time: 10 min	Water Tank Capacity: 6oz (180ml)
Net Weight: 1.54lb (700g)	Dimension: 7.9*3.5*6.9 (when unfolded) 6.1*3.5*3.5 (when folded)

What Water To Use?

It is recommended to use de-mineralized or distilled water. Never use water containing additives (starch, perfume, aromatic substances, softeners, etc.), or condensation water (for example water from tumble dryers, water from refrigerators, water from air conditioning units, rainwater). This water contains organic waste materials or minerals that concentrate under the effect of heat and cause spitting, brown coloring or premature ageing of your steamer.

Before Use

1. Open the water inlet cap. Fill the water tank with water (See section "what water to use"). Never exceed the maximum level.

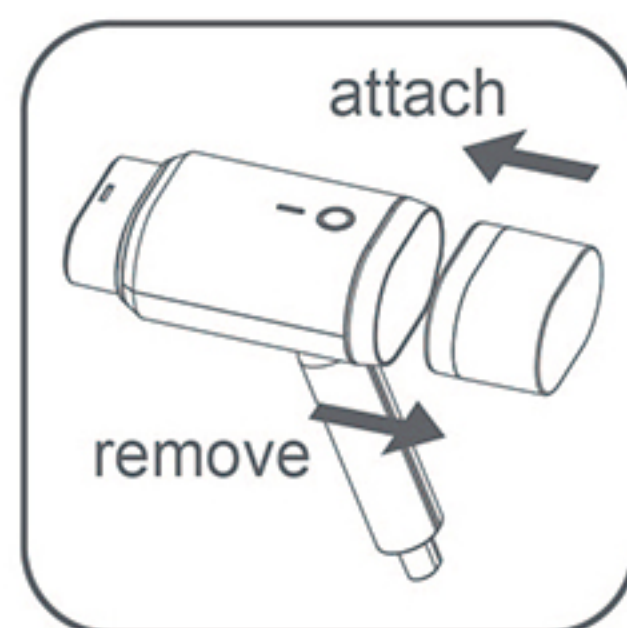


2. Close the water inlet cap.



3. Push the water tank back in place as shown until it clicks into position.

To remove the water tank, simply pull it out. The detachable water tank can be easily taken out for refilling.





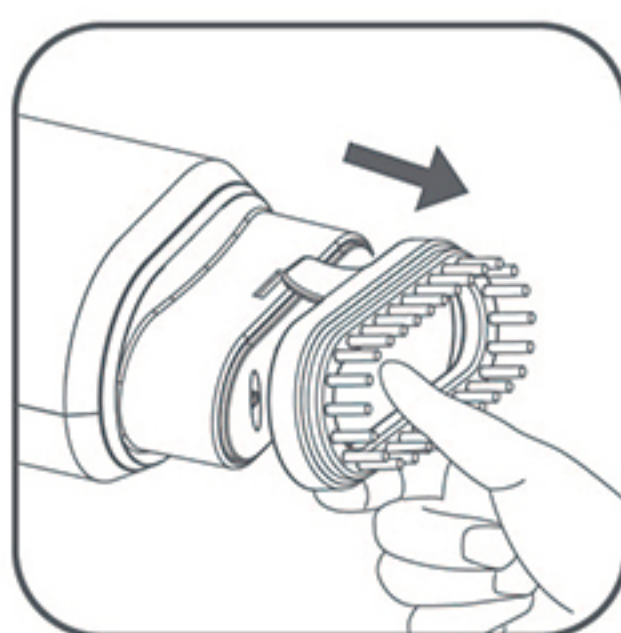
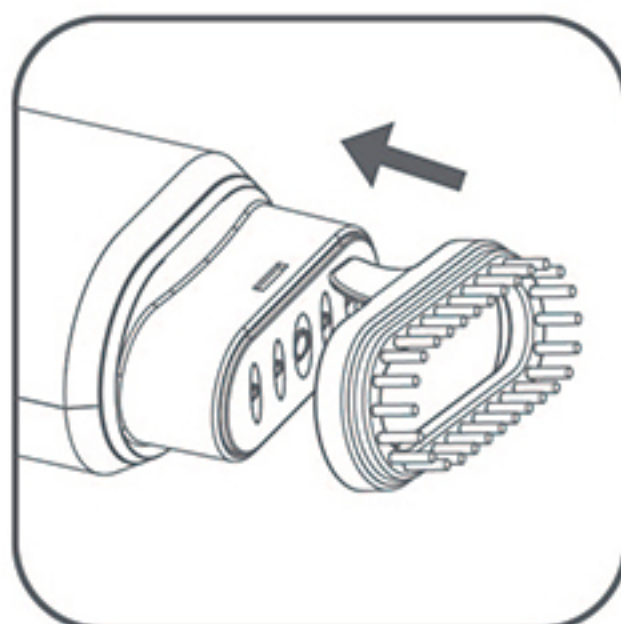
Note: As steam is very hot, never attempt to remove creases from a garment while it is being worn, always hang garments on a clothes hanger.

Accessories

The fabric brush allows removing lint, pet hair, dust, dirt and dander on overcoat and down jacket.

To attach: While the brush and steamer are cool, align the fabric brush to the steam head and lock it into position.

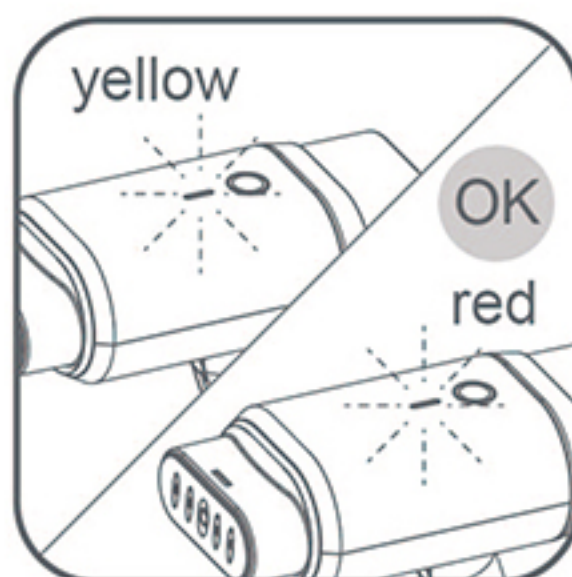
To remove: Allow the steamer to cool prior to removing the brush. Put your finger under the pointed tip and lift it up.



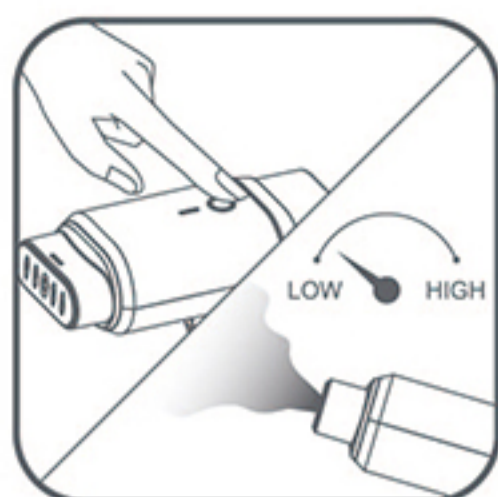
Use

1. Plug in the appliance.

2. Wait at least 20 seconds before pressing the steam button. The power indicator light **flashes yellow** to indicate that the heating element is working. When the indicator light **flashes red**, the steamer is ready to use.



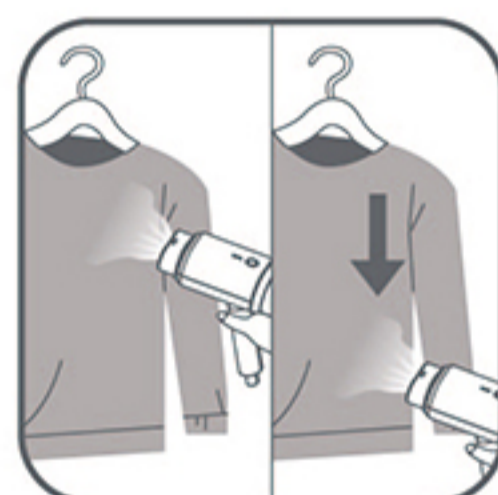
3. Press the steam button with the steam head facing away from you holding it in a vertical position. The indicator light becomes **solid yellow** which means it steams in low mode.



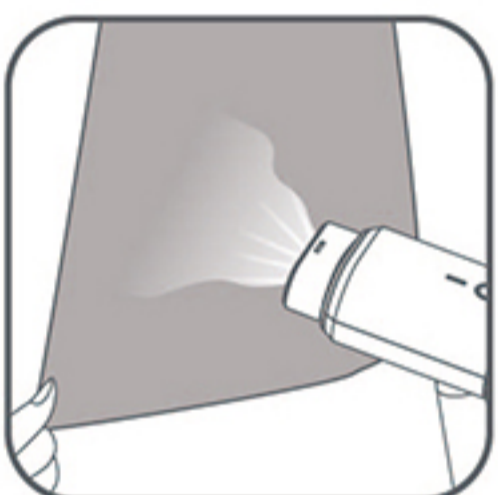
4. Press the steam button again, the indicator light becomes **solid red**, now the appliance steams in high mode.



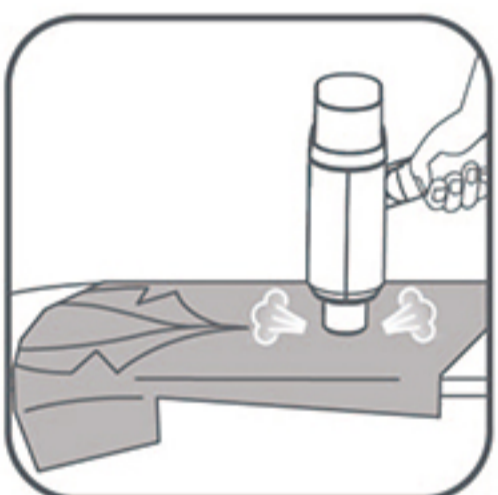
5. For optimal use, move the steam jets over your garment from top to bottom.



6. Use your free hand to keep the fabric taut and stretched. Steam the garment with slow, downward strokes, keeping the head of the steamer in contact with the fabric.



7. With 360° anti-dripping design, this steamer can be used horizontally to steam garments on an ironing board. Suitable for collars and cuffs.



8. To switch off the steam mode, press and hold the button for 2 seconds. The indicator light will **flash red**, indicating that the **dry iron mode** is ready for use.

In this mode, the soleplate temperature is intentionally set lower at 194 °F . We strongly recommend utilizing this specific dry ironing mode exclusively for delicate fabrics such as silk, chiffon and velvet, as it may not yield optimal results on thicker materials.










Warning: Never steam a garment while it is being worn.



Warning: Never touch the soleplate of the steamer.



LED STATUS	INDICATION
 Light off	Unplugged
 Flash yellow	Preheating
 Flash red	Dry ironing mode
 Solid yellow	Steam ironing mode (low)
 Solid red	Steam ironing mode (high)

After Use

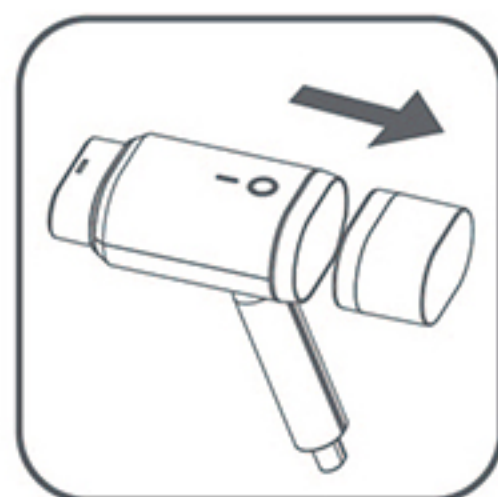
1. Long press the button for 2s to stop the steam mode.



2. Unplug the appliance.



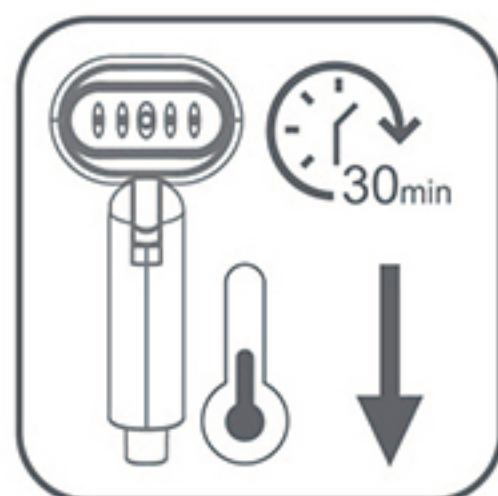
3. Remove the water tank by pulling it out.



4. To avoid mineral buildup, empty the tank after each use.



5. Return the water tank to its place on the appliance, make sure it is completely in place. Wait for 30 minutes for your appliance to cool before storing.



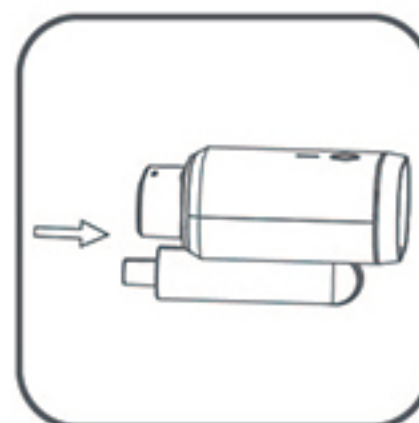
Cleaning

1. Wait half an hour for the appliance to completely cool down.

2. Clean the plastic parts of the appliance with a dry cloth.

3. Never wash or rinse appliance directly over a sink.

4. The handle can be folded up easily as shown in the picture.



Storing Your Newbealer Steamer

1. Store it in a cool dry place.

2. DO NOT wrap the power cord around the unit, place it loosely.

NOTE: Water containing mineral levels will vary depending on the place where you live in. To ensure the continuous operation of the steamer, never store it without cleaning and removing excess water from the water container or tank.

If you fill your steamer with tap water, you may experience mineral build-up due to the high mineral content in the water supply in many cities. Mineral residue inside your steamer's internal heater may cause intermittent steaming or, in severe cases no steaming at all.

To avoid the problem, only use de-mineralized or distilled water in your steamer. If you are unable to use de-mineralized or distilled water, we recommend you to follow the cleaning procedure below at least once a month to help avoid mineral build-up.

Anti Calc

- Anti-calc operation can be done if you notice your appliance performance has decreased.
- Do this operation in a vented room.

Steps:

1. Remove the water tank.
2. Fill the water tank with 0.1oz citric acid (you can also use 50% water and 50% white vinegar).
3. Return the water tank to its place on the appliance. Make sure the water tank is fully set in place.
4. Switch on the appliance.
5. Wait at least 35 seconds before pressing the steam button.
6. Allow the appliance to run until the water tank has completely emptied.
7. Fill the water tank with 100% water and repeat the operation until the water tank is completely empty in order to rinse the appliance.

Troubleshooting

If your Garment Steamer is not operating properly, please check if it is related to any of the following problems or conditions. If you are still unable to detect and solve the problem, please contact us for help.

Problems	Possible Causes	Solutions
Not enough steam coming out.	The steamer is not plugged in.	Check that your steamer is correctly plugged in.
	The water level is too low.	Unplug your steamer and refill it.
	The water tank is not fully in place.	Ensure that cover is closed and that the water tank snaps when put into place.
Not enough steam coming out.	There is not enough water in the water tank.	Follow the instructions under the "Before Use" section and fill to Max level.
	The steamer is not heated to full temperature..	Always allow steamer to preheat until the power indicator light flashes red.
Water leaks.	The water tank is not fully in place or the cover is not closed properly.	Ensure that cover is closed and that the water tank snaps when put into place.
	There water tank is overfilled.	Fill the water tank to the Max level, do not overfill.
Water spits.	The steamer is not heated to full temperature before use.	Before steaming, always allow steamer to preheat until the power indicator light flashes red.
	There is remaining water after last use which became condensation water and stored in the steam head.	After each use, empty the water tank.
Steam rate decreases or releases particles.	Calcium build-up.	Refer to 'ANTI CALC' section in instructions for use.
Calcium build-up.	You are using water with additives.	Never add any additive in the water tank.
	The water is too hard.	Read carefully the "What water to use" section.
	The appliance has not been rinsed enough after the descaling operation.	Read carefully the 'ANTI CALC' section in instructions for use.

Steaming Tips

To Steam Garments

1. Place the fabric in a dry and ventilated place and at least 20 cm (8 inches) away from any walls (otherwise moisture may cause mildew).
2. Empty garment pockets and straighten turn-ups such as cuffs and hems.
3. Hang the garment from a hanger and stretch the fabric slightly with one hand, making sure there is nothing behind the fabric that could be damaged by the steam.
4. Put the steam head against the garment, moving your arm in an up and down motion, targeting creases on the fabric.

NOTE: Do not steam over metal accessories. Use with caution when steaming around metal accessories.



WARNING: When using the garment steamer, do not touch the steam head. This garment steamer will generate a large flow of high temperature air that can cause burns if not handled carefully.

To Steam Curtains

1. Wash and dry the curtains.
2. Steam when they are hanging.
3. While steaming, stretch the curtains with one hand to help remove creases more easily

To Steam Upholstery

1. The garment steamer can be used to kill bacteria, remove odors and freshen up furniture upholstery, slip covers, and cushions.
2. Move the garment steamer over the fabric, cushions should be removed for steaming. Allow cushions to dry thoroughly before placing back on furniture.

The appliance's packaging is made from environmentally friendly material and can be disposed of at your local recycling plant.

1-Year Warranty

Thank you for your purchase!

WARRANTY:

Enjoy a warranty for the garment steamer for one year.

REPLACEMENT POLICY:

Free replacements are based on manufacturing defects but not replaced for the reason of abusing, misusing, or other non-intended usages of the garment steamer.

Based on the specific situation of the sample back, we reserve the right for maintenance or replacement.

EXCELLENT CUSTOMER SERVICE:

If you experience any issues with this product, please contact us, Newbealer is happy to be of service all the time. Any suggestions are also welcome.