

# **VEVOR<sup>®</sup>**

## **TOUGH TOOLS, HALF PRICE**

Technical Support and E-Warranty Certificate [www.vevor.com/support](http://www.vevor.com/support)

## **RETRACTABLE RV AWNING**

**MODEL: B1**

We continue to be committed to provide you tools with competitive price. "Save Half", "Half Price" or any other similar expressions used by us only represents an estimate of savings you might benefit from buying certain tools with us compared to the major top brands and does not necessarily mean to cover all categories of tools offered by us. You are kindly reminded to verify carefully when you are placing an order with us if you are actually Saving Half in comparison with the top major brands.

# VEVOR®

TOUGH TOOLS, HALF PRICE

## Retractable RV Awning

**MODEL: B1**



<Picture Only For Reference >

### **NEED HELP? CONTACT US!**

Have product questions? Need technical support? Please feel free to contact us:

**Technical Support and E-Warranty Certificate**  
**[www.vevor.com/support](http://www.vevor.com/support)**

This is the original instruction, please read all manual instructions carefully before operating. VEVOR reserves a clear interpretation of our user manual. The appearance of the product shall be subject to the product you received. Please forgive us that we won't inform you again if there are any technology or software updates on our product.

# IMPORTANT SAFEGUARDS



**WARNING:** Read and understand this entire manual before operating or servicing this product. Failure to follow these warnings and instructions can cause personal injury or damage to valuable property.

- It is best to complete the process of assembling the awning with an assistant. When you are on a ladder, please be careful and cautious.
- Installation and disassembly by two people is safer and easier. Please consult your RV owners manual.
- Avoid children using the awning, and this product is not a toy, do not allow children to play.
- Keep away from sharp points, blades and other items.
- Keep away from open flame. This product will ignite and burn if brought into contact with an open flame.
- Keep the installation area clean and well lit.
- Keep bystanders out of the area during assembly. Do not install when tired or when under the influence of alcohol, drugs or medication.
- Product capabilities apply to properly and completely installed products only.
- For additional information regarding the parts listed in the following pages, please refer to the accessories package of this manual. Unwrap and separate all parts in a clean work area. Please keep small spare parts out of children's reach.
- Do not use excessive force when assembling or storing the product.
- This product **MUST** be installed/serviced by a qualified service technician.
- **IMPACT OR CRUSH HAZARD.** This product should be installed in a controlled environment. Do **NOT** install the product during windy conditions or when wind is expected. Otherwise, the product could move unpredictably, become unstable, and could [detach/bend / collapse].




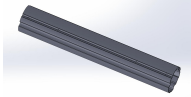

## SAVE THESE INSTRUCTIONS




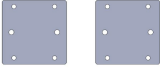




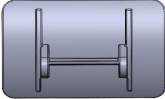


Thank you very much for choosing this RV Awning. Please read all the instructions before using it. The information will help you achieve the best possible results.

### TECHNICAL PARAMETER

Product name	Retractable RV Awning
Model	B1
Material	Aluminium
Fabric	PVC
Color	White&Black
Suitable vehicle	RVs

### PACKAGE LIST

No.	Name	Picture	QTY
1	Roller Assembly (L)		1
2	Roller Assembly (R)		1
3	Extension Roller		1
4	Connect pipe		2
5	Fabric		1

6	Fabric ploy-cord		3
7	loop belt		1
8	Support rod component		2
9	Aluminum plate		2
10	Pull wand		1
11	Ground nail		4
12	Platen		1
13	Center Cradle base		1
14	Center Cradle support		1
15	Door Support		1
16	Screw A		24

17	Screw B		40
18	Screw C		24
19	Screw D		10

## ASSEMBLY INSTRUCTIONS

### Introduction

To better use the awning, please read the user manual carefully before use. Please keep the user manual properly for future reference.

### B1 Manual Roll Out RV Awning Full Diagram

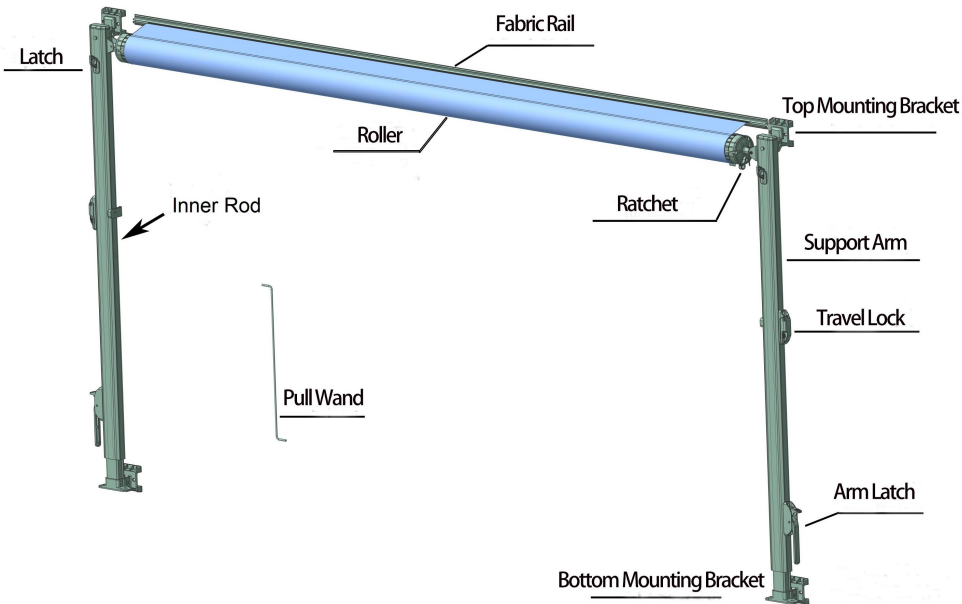


Figure C1

The B1 awning is installed on the side of the vehicle and fixed with upper and lower mounting brackets (Figure C2). The precautions and installation methods are as follows:



1. The awning must be installed by 2 or more people.
2. Before installation, please check whether there are reinforcing ribs at the position of the vehicle body used to fix the installation bracket, and whether there are obstacles such as water, electricity, and other lines at the drilling position (Figure C3). Or inquire with the vehicle dealer for relevant information.

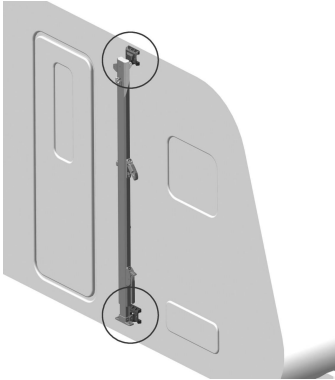


Figure C2

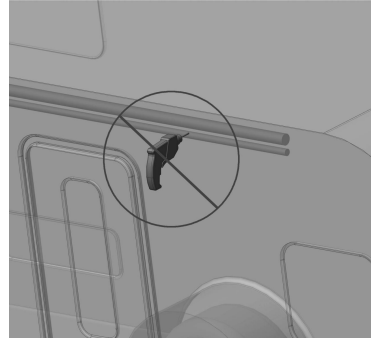


Figure C3

### 3. Installation method:

3.1 Take out the fabric rail and fix it on the outside of the vehicle body with screws B (Figure C4). The fabric rail should be installed horizontally, and if not, it should be leveled (the cushion block should be provided) (Figure C5). If the vehicle body is pre-install-ed with a fabric insertion slot, this step can be omitted and the fabric rail not need to be used.

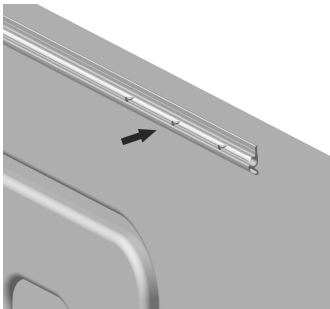


Figure C4

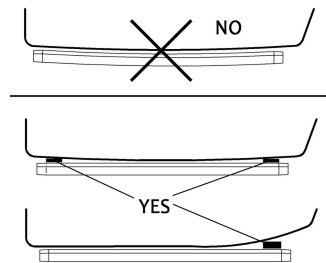


Figure C5

3.2 Take the support arm, use it mark the hole position at a suitable position on the outside of the vehicle (Figure C6), and drill a  $\Phi 5$  installation hole on the vehicle body (Figure C7).

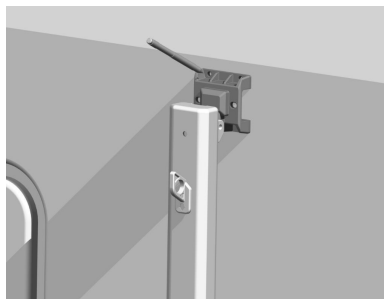


Figure C6

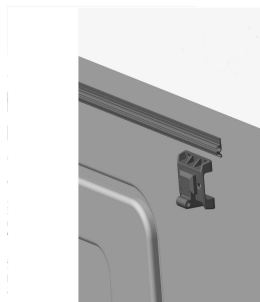


Figure C7

3.3 Take the bottom brackets from the arms, put them to the bottom install position with aluminium plates, fix them with Screw C and Screw D (Figure C8), Next assembly the arm to the bracket, fix the upper brackets with Screw C and Screw D too. Make sure the two arms are in same height. (Figure C9)

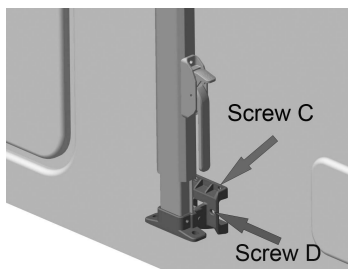


Figure C8



Figure C9

3.4 Pull out the connecting tubes at both ends of the middle winding tube to the red limit position, assemble the left and right winding tubes, and fix them with Screw A at the connection. (Figure C10, Figure C11)

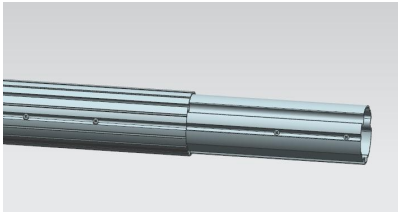


Figure C10

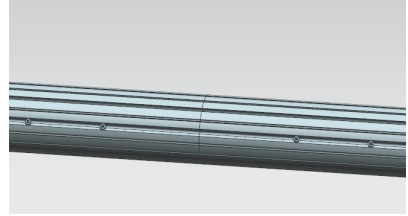


Figure C11

3.5 Open the fabric, insert the fabric into the slot of the roll tube, then insert the front end of the fabric into another slot on the roll tube, and then fix the Screw B to prevent the fabric from moving, next insert the fabric strip into the slot. Last insert the loop belt to the strip. (Figure C12, Figure C13, Figure C14, Figure C15)

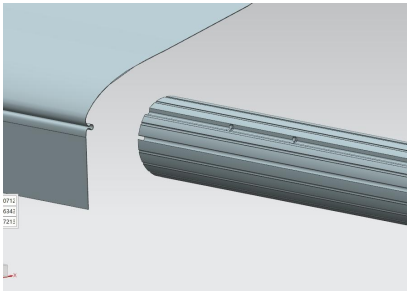


Figure C12

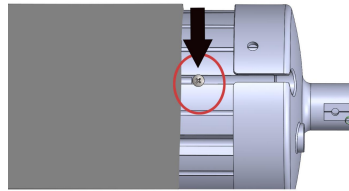


Figure C13

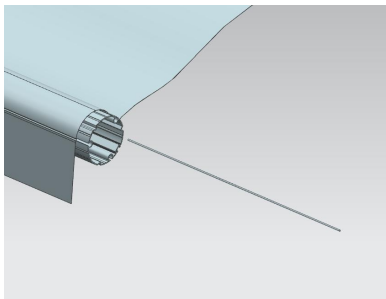


Figure C14

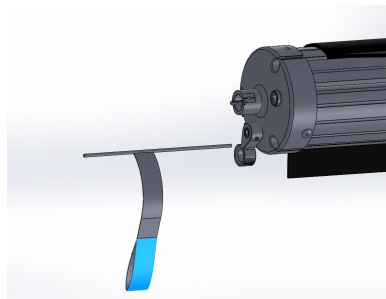


Figure C15

3.6 Wrap the fabric in the same direction onto the roll tube, leaving one circle untouched, and thread the fabric into the vehicle's fabric rail(Figure C15), fix the shaft hole at the end of the roller to the top bracket of the support rod (Figure C16).

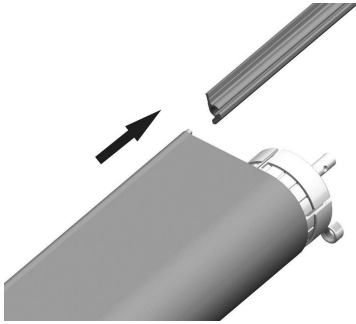


Figure C15

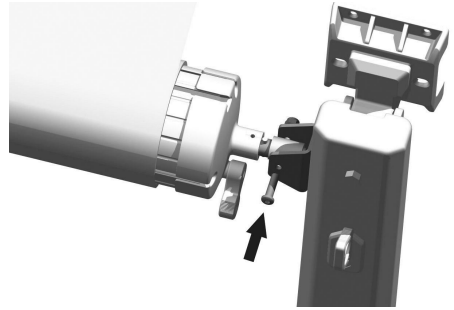


Figure C16

3.7 Remove the safety pins on both sides of the end caps of the roller (Figure C17) to tighten the fabric roll under stress.

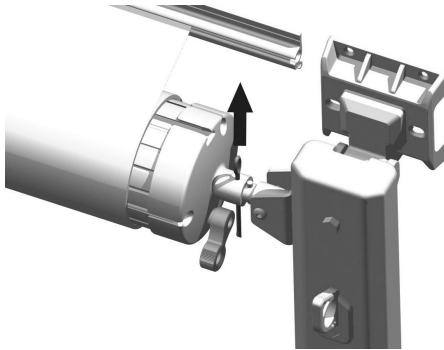


Figure C17

**※ Attention: There is a winding spring inside the scroll, which have been preset with an upward force. Please make sure to completely fix all the screws of the awning roll before removing the safety pin, otherwise it may cause accidental injury!**

3.8 Open and close the awning 2-3 times to allow the awning fabric and mechanism to naturally adjust in place.(See the usage method). Check all the screws fixed and the awning can be used normally, then fix Screw B for both sides to prevent the fabric from moving.(Figure C18)

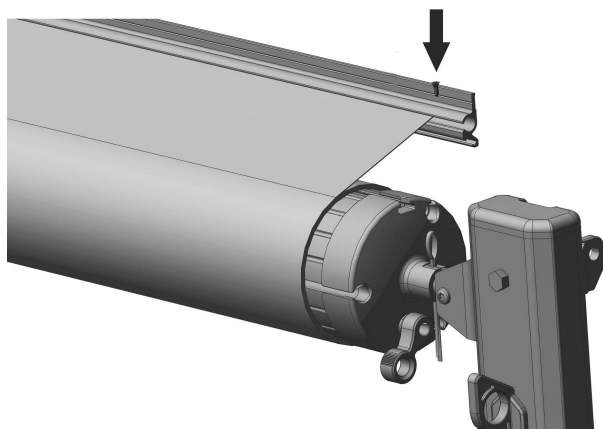


Figure C18

### 3.9 Door support install

Find the correct position for the door support, the door support needs to be higher 0.4 inch than the door, then fix the door support with Screw B (Figure C19, Figure C20)



Figure C19

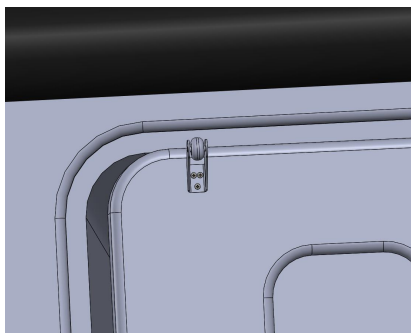


Figure C20

### 3.10 Center cradle install

Find the correct position for the center cradle, put the center cradle under the roller, mark the position with a marker. Fix the center cradle with Screw C, then inset the bolt to the center cradle. (Figure C21, Figure C22)

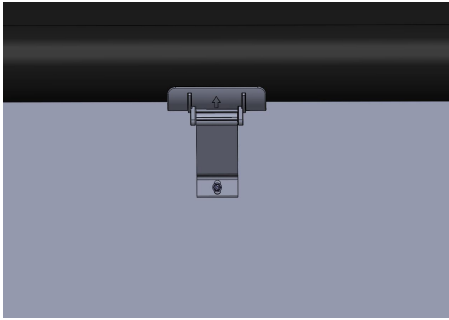


Figure C21

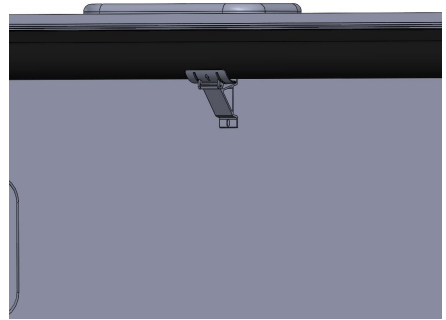


Figure C22

### 3.11 Install the Storage clip for Pull handle rod

Choose the suitable position for the storage clip, and fix it with Screw B (Figure C23)

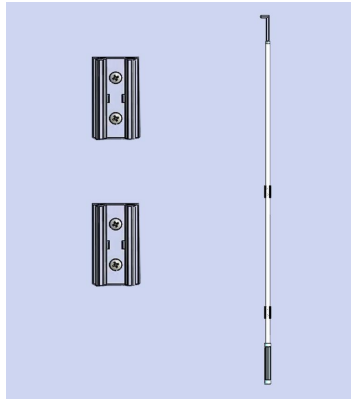


Figure C2



**SCAN THE QR CODE TO VIEW THE INSTALLATION VIDEO**

## 4. Usage method:

After the above installation of the awning is completed, check the appearance and ensure that the screws in the above parts are securely fastened.

### 4.1 Open the awning

4.1.1 Open the safety lock located in the middle of the support rods on both sides (press and pull, Figure D1), and loosen the tension rod screw (Figure D2).

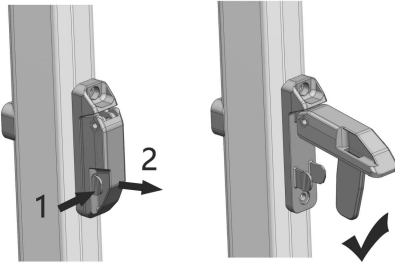


Figure D1



Figure D2

4.1.2 Hook the ratchet lever on the end cover of the roller with pull wand, gently move the ratchet lever in the direction of the arrow, and switch the pawl direction to "open" (Figure D3).

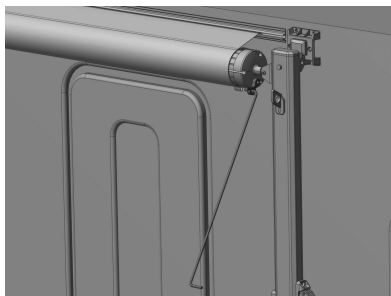


Figure D3

4.1.3 Insert the elbow on one side of the pull wand into the loop belt of the ratchet , and pull the awning outward until it is fully extended. (Figure D4)

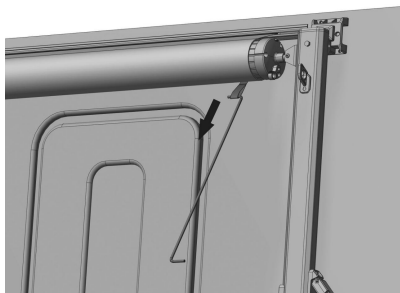


Figure D4

4.1.4 Push out the inner rod along the support rod, slide it and clip it into the buckle located at the head of the support arm (Figure D5), then tighten the black lock knob to fix the inner rod.

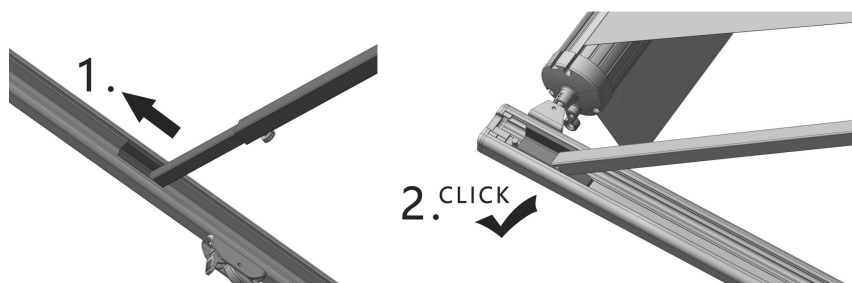


Figure D5

4.1.5 There are two types of support for awning, namely body support and ground support:

1) Vehicle body support (Figure D6)

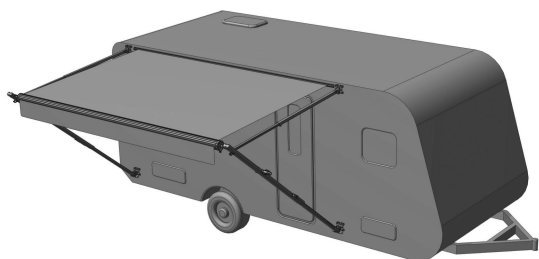


Figure D6

a. Lift the arm latch and press down the lock head then slide out of the support arm to the appropriate height (Figure D7), and release the lock head to lock the support arm.

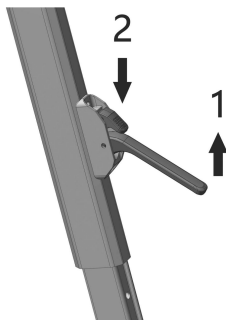


Figure D7

※ **Attention: When the inner rod of the support arm slides to the red warning position, it reaches the maximum support height. When it slides completely out, the inner rod may fall off.**

b. Fine tune the inner rod and tighten the awning fabric. The awning has been opened. (Figure D8)

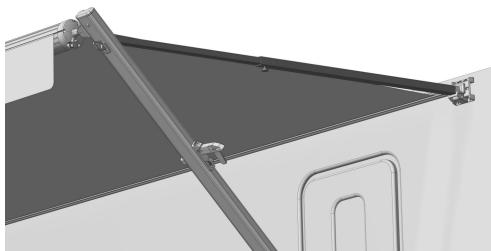


Figure D8

2) Ground Support (Figure D9)



Figure D9

a. Release the bottom installation brackets latch, and place it vertically on

the ground. (Figure D10)

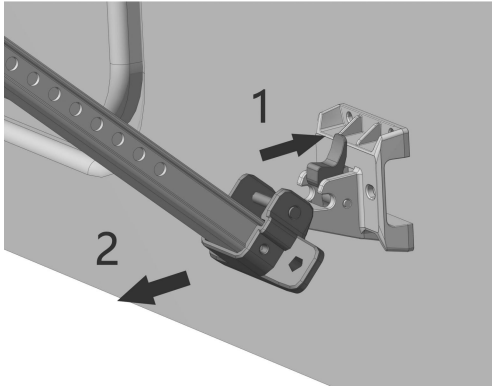


Figure D10

b. Loosen the black lock knob to extend the awning to the max, then tighten it.

c. Press down arm latch and adjust the support rod to appropriate height.

The awning has been opened. (Figure D11). And you can inset the ground nail to the bottom brackets, to make the awning more stable.

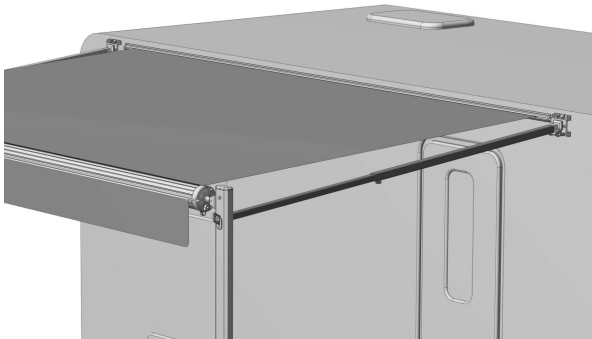


Figure D11

d. Use the ground nail to make the awning more stable. (Figure D12)



Figure D12

## 4.2 Closing Awning

Ground support Closing: (sequential operation starting from 4.2.1), vehicle support closing (sequential operation starting from 4.2.2):

### 4.2.1 Recovery of Ground Support Status

First, rotate the support rod inward and swing it back, then clamp the fixed shaft on the foot of the support arm into the slot of the lower installation bracket, and switch it to the vehicle support state. (Figure D13)

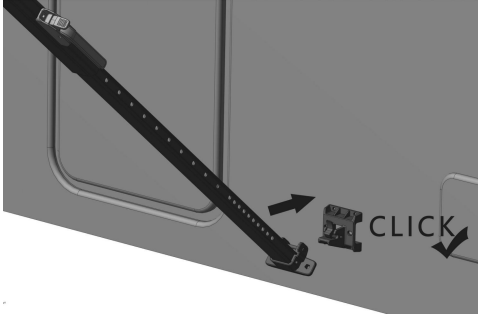


Figure D13

### 4.2.2 Recovery of Vehicle Support Status

4.2.3 Lift the arm latch and press down the lock head, to retract the support arms. See (Figure D14)

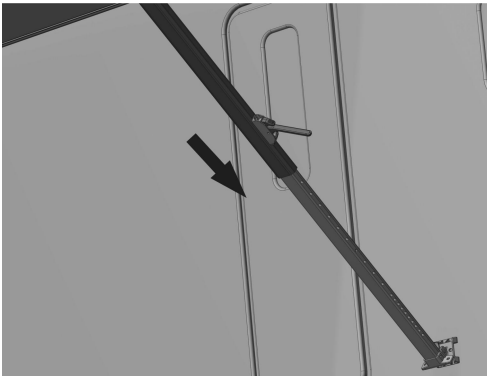


Figure D14

4.2.4 Pull the latch and push the inner rod back along the support arm. (Figure D15)

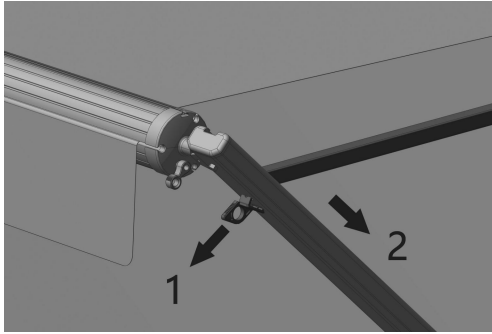


Figure D15

4.2.5 Hold the loop belt and gently push the ratchet lever on the end cover of the roller in the direction of the arrow with your hand, switching the direction of the pawl to "off". (Figure D16)

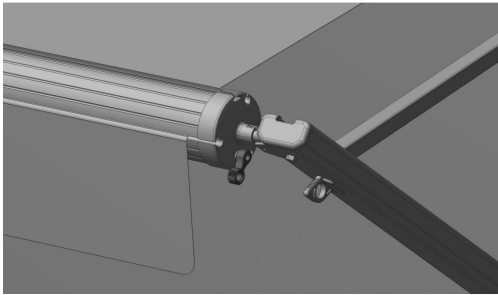


Figure D16

4.2.6 Slowly release the recycling reel until it is fully retracted. (At the end, the elbow on one side of the pull wand can be used to insert the roller strap for auxiliary operation) . (Figure D17)

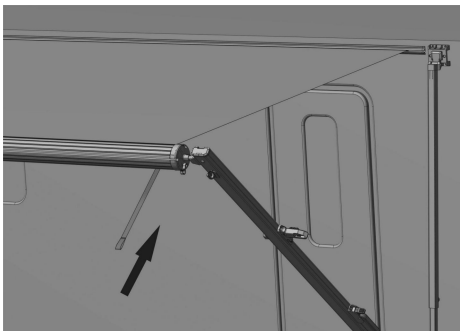


Figure D17

4.2.7 Press down on the travel lock in the middle of the support arm and tighten the screw of the inner rod. The awning has been closed. (Figure D18)

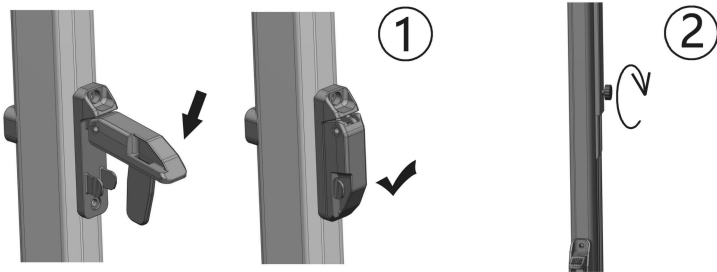


Figure D18

4.2.8 We recommend that the awning be used only for the purpose of sun protection. In case of bad rain, snow and wind, please close the awning to prevent damage. If the awning is used in light rain, adjust the length of the support leg and tilt one side of the awning to quickly drain water.( Figure D19)

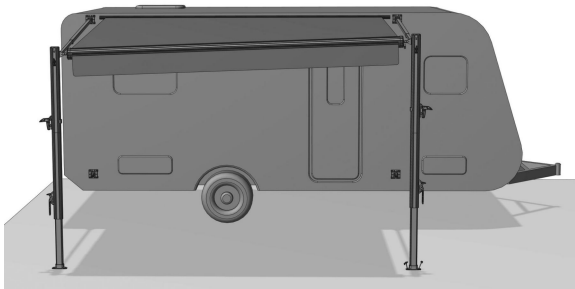


Figure D19



SCAN THE QR CODE TO VIEW THE USAGE VIDEO

## TROUBLE SHOOTING

Every awning undergoes are strictly debugged and tested before leaving the factory to achieve the best condition. However, after a period of use, there may be some abnormalities. Please handle them according to the following situations.

1. Weak winding of the awning scroll: Check if the torsion spring of the scroll is releasing force. The upward force method of the scroll spring is to insert a 6mm diameter screwdriver into the steel shaft hole at the end of the scroll, rotate it 10-13 times in the upward force direction indicated by the end cover, then insert the safety pin, and install the scroll back into the support rod. (Figure E1)

Attention: The torsion of the reel may cause accidental injury. Please be sure to use a safety pin and operate it under the premise of ensuring safety.

2. Unable to move the ratchet lever: The ratchet lever is stuck inside the ratchet due to the torque of the spring. When turning the ratchet lever, you can gently pull the reel and pull the strap before turning the ratchet lever. (Figure E2)

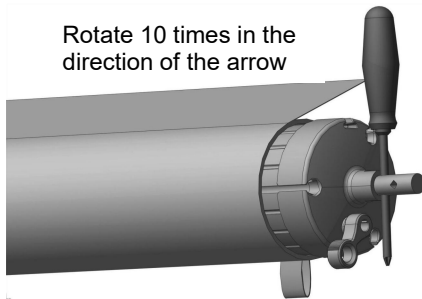


Figure E1

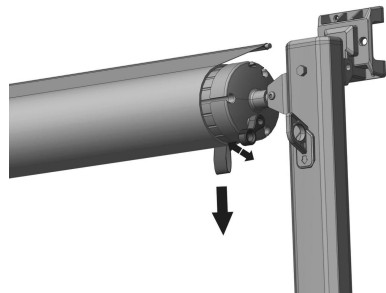


Figure E2

3. The fabric on both sides of the scroll is unevenly folded, and one side cannot be tightened: check whether the awning fabric is damaged or deformed, and replace the sunshade fabric. Alternatively, an appropriate thickness of adjustment sticker can be applied to the edge of the rolled tube on the side that cannot be fully tightened (to be provided separately), and the amount of the tarpaulin circle can be fine tuned to ensure even tightening on both sides. (Figure E3).

4. Difficulty in pressing the lock head: Add an appropriate amount of lubricating oil to the lock head and tongue area

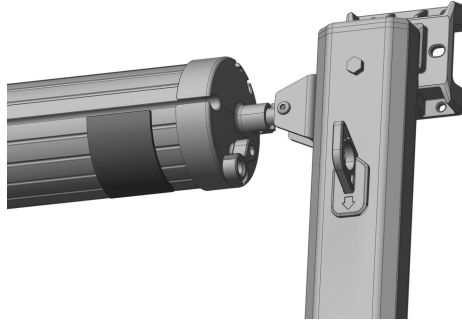


Figure E3

# PRODUCT STRUCTURE DIAGRAM

some products may have adjustments and will not be listed (Figure G1)

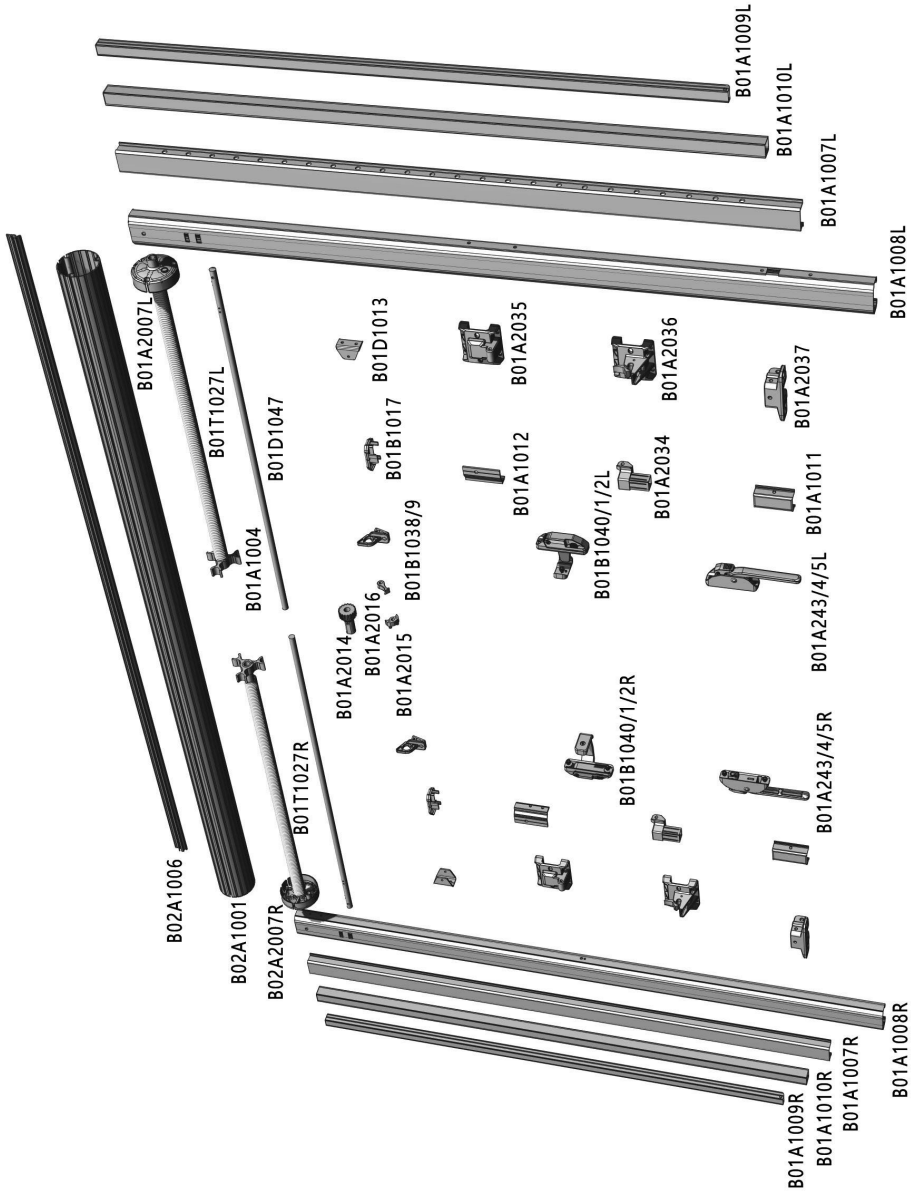
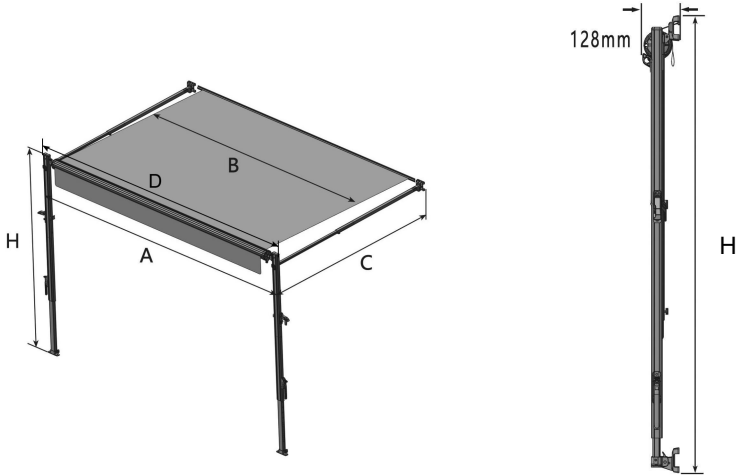


Figure G1  
B1 Manual Roll Out RV Awning



Awning Size	A (mm)	B (mm)	C (mm)	D (mm)	H (mm)	Awning color (support)
14'	4303	4013	2348	4373	1700	Black
15'	4608	4318	2348	4678	1700	Black
16'	4913	4623	2348	4983	1700	Black
17'	5218	4928	2348	5288	1700	Black
18'	5522	5232	2348	5592	1700	Black
18'	5522	5232	2348	5592	1700	White
20'	6132	5842	2348	6202	1700	Black
20'	6132	5842	2348	6202	1700	White



**Manufacturer:** Shanghaimuxinmuyeyouxiangongsi

**Address:** Shuangchenglu 803nong11hao1602A-1609shi, baoshanqu, shanghai 200000 CN.

**Imported to AUS:** SIHAO PTY LTD. 1 ROKEVA STREETEASTWOOD NSW 2122 Australia

**Imported to USA:** Sanven Technology Ltd. Suite 250, 9166 Anaheim Place, Rancho Cucamonga, CA 91730



YH CONSULTING LIMITED.  
C/O YH Consulting Limited Office 147,  
Centurion House, London Road,  
Staines-upon-Thames, Surrey, TW18 4AX



E-CrossStu GmbH  
Mainzer Landstr.69,  
60329 Frankfurt am Main.

# VEVOR®

**TOUGH TOOLS, HALF PRICE**

**Technical Support and E-Warranty Certificate**

[www.vevor.com/support](http://www.vevor.com/support)

# VEVOR<sup>®</sup>

## TOUGH TOOLS, HALF PRICE

Assistance technique et certificat de garantie électronique [www.vevor.com/support](http://www.vevor.com/support)

### AUVENT RÉTRACTABLE POUR VR

MODÈLE : B1

Nous continuons à nous engager à vous fournir des outils à des prix compétitifs.

« Économisez la moitié », « Moitié prix » ou toute autre expression similaire utilisée par nous ne représente qu'une estimation des économies que vous pourriez réaliser en achetant certains outils chez nous par rapport aux grandes marques et ne couvre pas nécessairement toutes les catégories d'outils que nous proposons. Nous vous rappelons de bien vouloir vérifier soigneusement lorsque vous passez une commande chez nous si vous économisez réellement la moitié par rapport aux grandes marques.

**VEVOR**<sup>®</sup>  
TOUGH TOOLS, HALF PRICE

Auvent rétractable pour camping-car

MODÈLE : B1



<Photo à titre indicatif seulement>

**BESOIN D'AIDE? CONTACTEZ-NOUS!**

Vous avez des questions sur nos produits ? Vous avez besoin d'assistance technique ?  
N'hésitez pas

à nous contacter : Assistance technique et certificat de garantie  
électronique [www.vevor.com/support](http://www.vevor.com/support)

Il s'agit de la notice d'utilisation d'origine. Veuillez lire attentivement toutes les instructions du manuel avant de l'utiliser. VEVOR se réserve le droit d'interpréter clairement notre manuel d'utilisation. L'apparence du produit dépend du produit que vous avez reçu. Veuillez nous excuser, nous ne vous informerons plus en cas de mise à jour technologique ou logicielle de notre produit.

## MESURES DE SÉCURITÉ IMPORTANTES



**AVERTISSEMENT** : Lisez et comprenez l'intégralité de ce manuel avant d'utiliser ou l'entretien de ce produit. Le non-respect de ces avertissements et

le non-respect de ces instructions peut entraîner des blessures corporelles ou des dommages à des biens de valeur.

Il est préférable de terminer le processus d'assemblage de l'auvent avec un

assistant. Lorsque vous êtes sur une échelle, soyez prudent et attentif. L'installation et le

démontage par deux personnes sont plus sûrs et plus faciles. Veuillez

consultez le manuel du propriétaire de votre

VR. Évitez que les enfants utilisent l'auvent, et ce produit n'est pas un jouet, ne

Ne laissez pas les enfants jouer.

Tenir à l'écart des objets pointus, des lames et autres objets tranchants. Tenir à

l'écart des flammes nues. Ce produit s'enflammera et brûlera s'il est exposé à des températures élevées.

en contact avec une flamme nue. Maintenez la zone

d'installation propre et bien éclairée. Tenez les spectateurs hors de

la zone pendant l'assemblage. N'installez pas l'appareil lorsque

fatigué ou sous l'influence de l'alcool, de drogues ou de médicaments.

Les capacités du produit s'appliquent aux produits correctement et complètement installés.

produits uniquement.

Pour plus d'informations sur les pièces répertoriées dans ce qui suit

pages, veuillez vous référer au pack d'accessoires de ce manuel.

Déballer et séparer toutes les pièces dans une zone de travail propre. Veuillez garder de petites pièces

pièces de rechange hors de portée des enfants.

N'utilisez pas de force excessive lors de l'assemblage ou du stockage du produit. Ce produit DOIT être installé/entretenu par un technicien qualifié.

technicien.

**RISQUE D'IMPACT OU D'ÉCRASEMENT.** Ce produit doit être installé dans un

environnement contrôlé. N'installez PAS le produit par temps venteux

conditions ou lorsque du vent est prévu. Dans le cas contraire, le produit pourrait

se déplacer de manière imprévisible, devenir instable et pourrait [se détacher/se plier/effondrement].




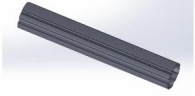

## CONSERVEZ CES INSTRUCTIONS




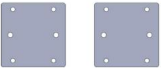




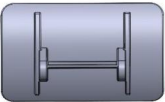


Merci beaucoup d'avoir choisi cet auvent pour camping-car. Veuillez lire toutes les instructions avant de l'utiliser. Ces informations vous aideront à obtenir les meilleures résultats possibles.




### PARAMÈTRE TECHNIQUE

Nom du produit	Auvent rétractable pour camping-car
Modèle	B1
Matériel	Aluminium
Tissu	PVC
Couleur	Blanc et noir
Véhicule adapté	<small>Véhicules motorisés</small>

### LISTE DES PAQUETS

Non.	Nom	Image	Qté
1	Ensemble de rouleaux (L)		1
2	Ensemble de rouleaux (R)		1
3	Rouleau d'extension		1
4	Raccorder le tuyau		2
5	Tissu		1

6	Cordon en tissu		3
7	ceinture à boucle		1
8	Composant de tige de support		2
9	Plaque d'aluminium		2
10	Tirer la bague		1
11	Clou de sol		4
12	Platine		1
13	Base du berceau central		1
14	Support de berceau central		1
15	Support de porte		1
16	Vis A		24

17	Vis B		40
18	Vis C		24
19	Vis D		10

## INSTRUCTIONS DE MONTAGE

### Introduction

Pour une meilleure utilisation du store, veuillez lire attentivement le manuel d'utilisation avant utilisation.

Veuillez conserver soigneusement le manuel d'utilisation pour référence ultérieure.

B1 Auvent manuel à déploiement complet pour camping-car

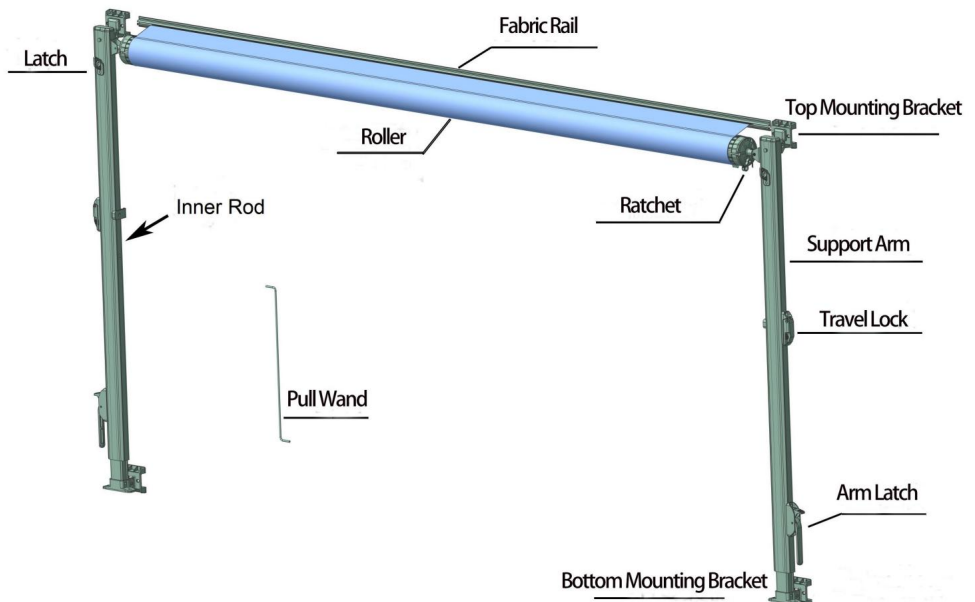


Figure C1

Le store B1 est installé sur le côté du véhicule et fixé avec des sangles supérieures et supports de montage inférieurs (Figure C2). Les précautions et les méthodes d'installation sont les suivantes :

1. L'auvent doit être installé par 2 personnes ou plus.
2. Avant l'installation, vérifiez si des nervures de renfort sont présentes à l'emplacement de la carrosserie du véhicule utilisé pour fixer le support d'installation et s'il y a des obstacles tels que de l'eau, de l'électricité et d'autres conduites à l'emplacement du perçage (Figure C3). Vous pouvez également vous renseigner auprès du concessionnaire automobile pour obtenir des informations pertinentes.

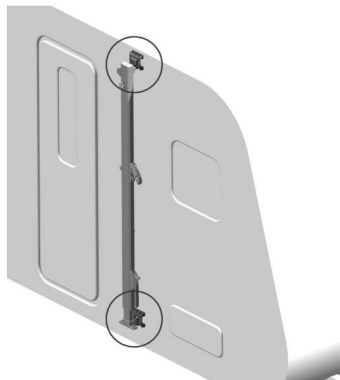


Figure C2



Figure C3

### 3. Méthode d'installation :

3.1 Retirez le rail en tissu et fixez-le à l'extérieur de la carrosserie du véhicule avec les vis B (Figure C4). Le rail en tissu doit être installé horizontalement, et si ce n'est pas le cas, il doit être mis à niveau (le bloc coussin doit être fourni) (Figure C5). Si la carrosserie du véhicule est préinstallée avec une fente d'insertion de tissu, cette étape peut être omise et le tissu il n'est pas nécessaire d'utiliser le rail.

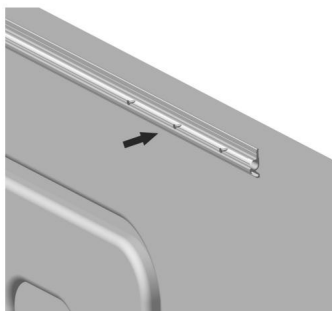


Figure C4

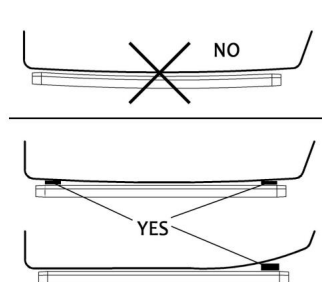


Figure C5

3.2 Prenez le bras de support, utilisez-le pour marquer la position du trou à un endroit approprié à l'extérieur du véhicule (Figure C6) et percez un trou d'installation de  $\Phi 5$  sur la carrosserie du véhicule (Figure C7).

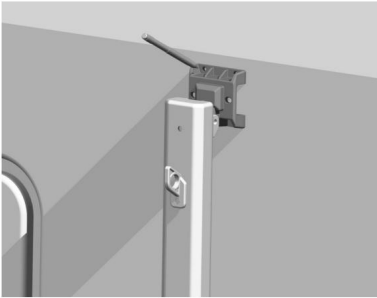


Figure C6

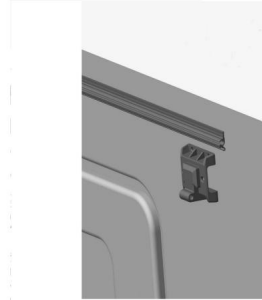


Figure C7

3.3 Retirez les supports inférieurs des bras, placez-les en position d'installation inférieure avec des plaques en aluminium, fixez-les avec la vis C et la vis D (Figure C8), puis assemblez le bras au support, fixez également les supports supérieurs avec la vis C et la vis D. Assurez-vous que les deux bras sont à la même hauteur. (Figure C9)

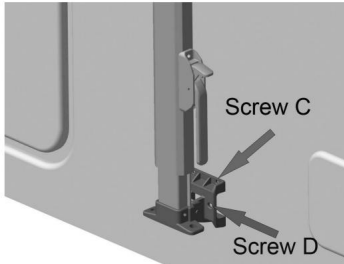


Figure C8

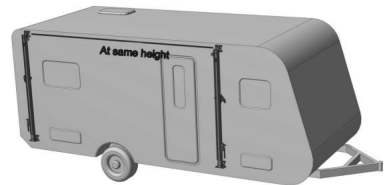


Figure C9

3.4 Retirez les tubes de raccordement aux deux extrémités du tube d'enroulement central jusqu'à la position limite rouge, assemblez les tubes d'enroulement gauche et droit et fixez-les avec la vis A au niveau de la connexion. (Figure C10, Figure C11)

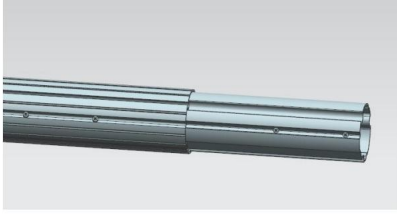


Figure C10

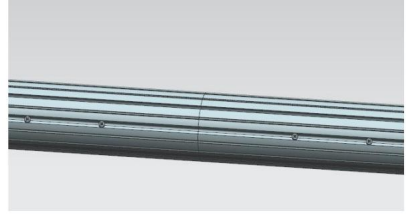


Figure C11

3.5 Ouvrez le tissu, insérez le tissu dans la fente du tube du rouleau, puis insérez le l'extrémité avant du tissu dans une autre fente du tube du rouleau, puis fixez la vis B à empêcher le tissu de bouger, puis insérez la bande de tissu dans la fente. Dernière insertion la boucle de la ceinture à la bande. (Figure C12, Figure C13, Figure C14, Figure C15)

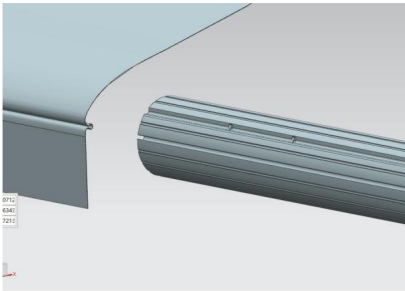


Figure C12

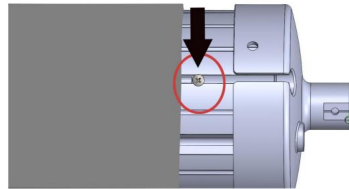


Figure C13

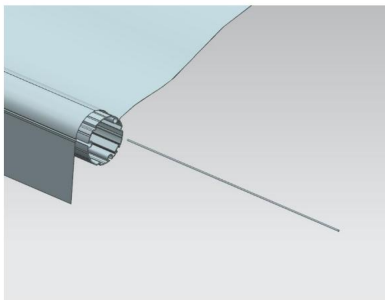


Figure C14

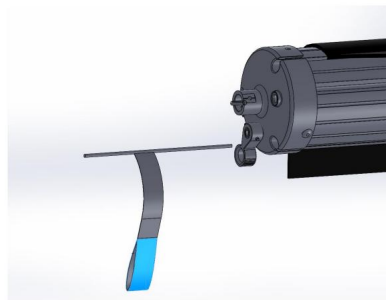


Figure C15

3.6 Enroulez le tissu dans la même direction sur le tube du rouleau, en laissant un cercle intact, et enflez le tissu dans le rail de tissu du véhicule (Figure C15), fixez le trou de l'arbre à l'extrémité du rouleau jusqu'au support supérieur de la tige de support (Figure C16).

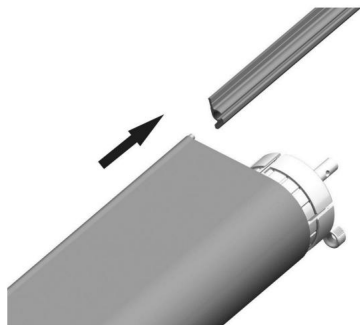


Figure C15

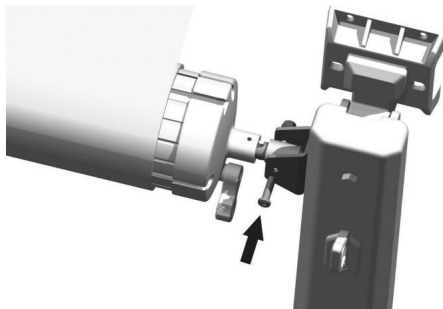


Figure C16

3.7 Retirez les goupilles de sécurité des deux côtés des embouts du rouleau (Figure C17) pour serrer le rouleau de tissu sous tension.

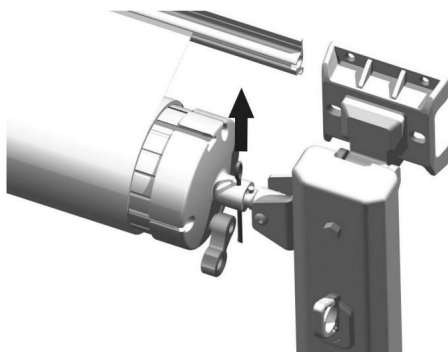


Figure C17

Attention : il y a un ressort d'enroulement à l'intérieur du rouleau, qui a été pré réglé avec une force ascendante. Veuillez vous assurer de fixer complètement toutes les vis du rouleau de store avant de retirer la goupille de sécurité, sinon cela pourrait provoquer des blessures accidentelles !

3.8 Ouvrez et fermez le store 2 à 3 fois pour permettre au tissu et au mécanisme du store de s'ajuster naturellement en place. (Voir la méthode d'utilisation). Vérifiez que toutes les vis sont fixées et que le store peut être utilisé normalement, puis fixez la vis B des deux côtés pour empêcher le tissu de bouger. (Figure C18)

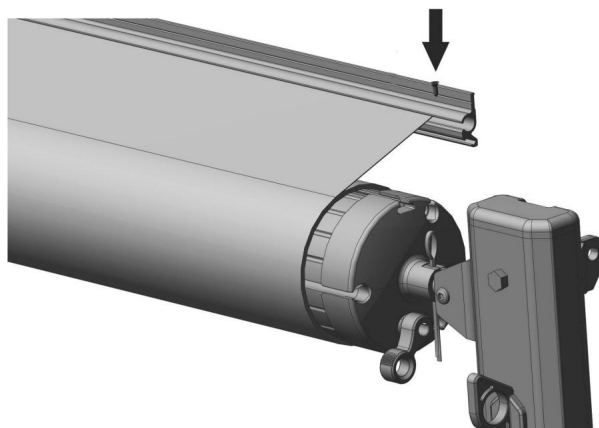


Figure C18

### 3.9 Installation du support de

porte Trouvez la position correcte pour le support de porte, le support de porte doit être plus haut de 0,4 pouce que la porte, puis fixez le support de porte avec la vis B (Figure C19, Figure C20)



Figure C19

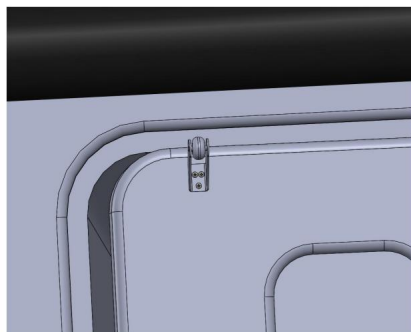


Figure C20

### 3.10 Installation du berceau central

Trouvez la position correcte du berceau central, placez le berceau central sous le rouleau, marquez la position avec un marqueur. Fixez le berceau central avec la vis C, puis insérez le boulon dans le berceau central. (Figure C21, Figure C22)

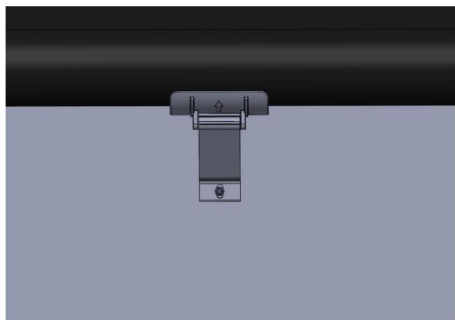


Figure C21



Figure C22

### 3.11 Installer le clip de rangement pour la tige de poignée

de traction Choisissez la position appropriée pour le clip de rangement et fixez-le avec la vis B (Figure C23)

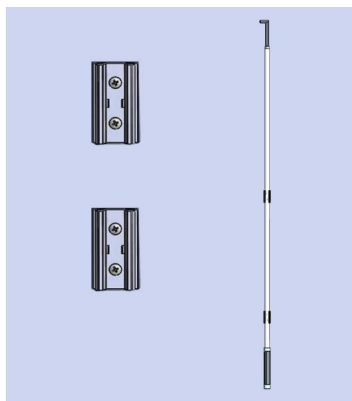


Figure C2



SCANNEZ LE CODE THEOR POUR VOIR LA VIDÉO D'INSTALLATION

## 4. Mode d'emploi :

Une fois l'installation ci-dessus de l'auvent terminée, vérifiez l'apparence et assurez-vous que les vis dans les pièces ci-dessus sont solidement fixées.

### 4.1 Ouvrir le store

4.1.1 Ouvrir le verrou de sécurité situé au milieu des tiges de support des deux côtés (appuyez et tirez, Figure D1) et desserrez la vis de la tige de tension (Figure D2).

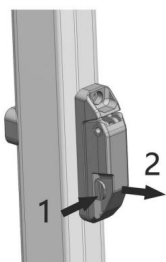


Figure D1

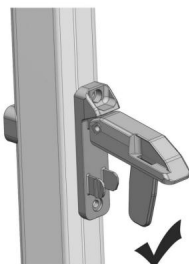


Figure D2



4.1.2 Accrochez le levier à cliquet sur le couvercle d'extrémité du rouleau avec la baguette de traction, doucement déplacez le levier à cliquet dans le sens de la flèche et changez le sens du cliquet pour « ouvert » (Figure D3).



Figure D3

4.1.3 Insérez le coude d'un côté de la tige de traction dans la boucle de la courroie à cliquet et tirez , l'auvent vers l'extérieur jusqu'à ce qu'il soit complètement déployé. (Figure D4)



Figure D4

4.1.4 Poussez la tige intérieure le long de la tige de support, faites-la glisser et clipsez-la dans la boucle située à la tête du bras de support (Figure D5), puis serrez le bouton de verrouillage noir pour fixer la tige intérieure.

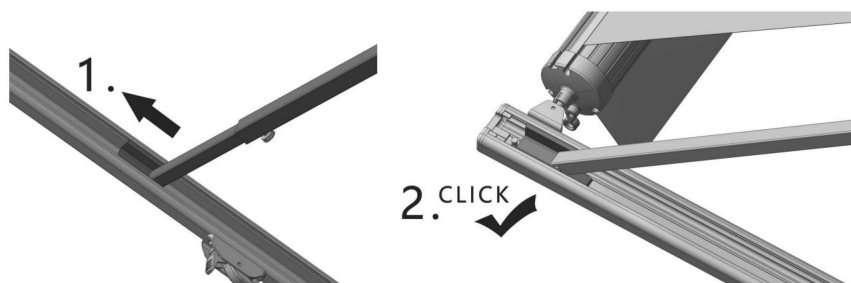


Figure D5

4.1.5 Il existe deux types de supports pour auvent, à savoir le support de carrosserie et le support au sol : 1)

Support de carrosserie du véhicule (Figure D6)

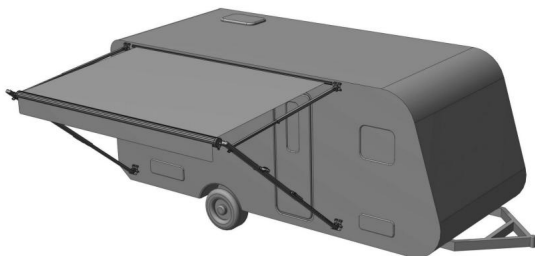


Figure D6

a. Soulevez le loquet du bras et appuyez sur la tête de verrouillage, puis faites-le glisser hors du bras de support jusqu'à la hauteur appropriée (Figure D7) et relâchez la tête de verrouillage pour verrouiller le support bras.

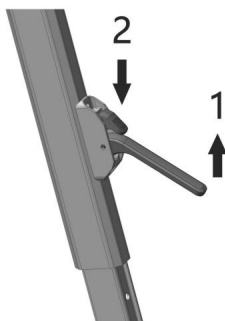


Figure D7

Attention : lorsque la tige intérieure du bras de support glisse vers la position d'avertissement rouge, elle atteint la hauteur de support maximale. Lorsqu'elle glisse complètement, la tige intérieure peut tomber. b. Ajustez la tige intérieure et serrez la toile du store. Le store est ouvert. (Figure D8)

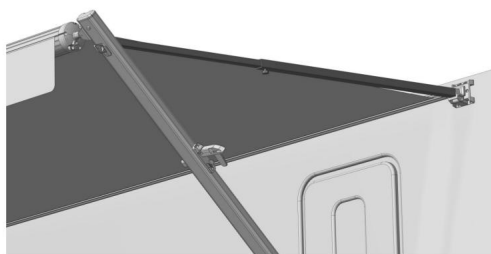


Figure D8

2) Soutien au sol (Figure D9)

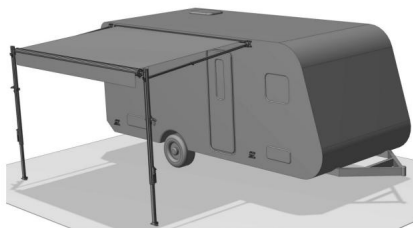


Figure D9

a. Libérez le loquet des supports d'installation inférieurs et placez-le verticalement sur

le sol. (Figure D10)

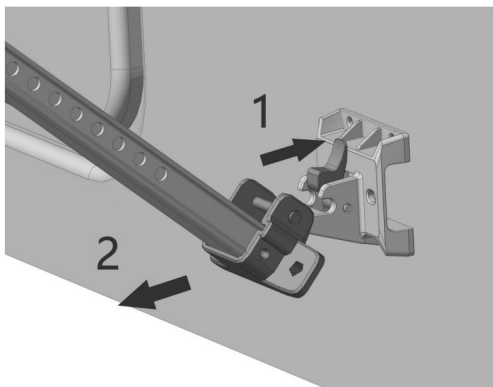


Figure D10

b. Desserrez le bouton de verrouillage noir pour étendre l'auvent au maximum, puis serrez-le. c. Appuyez sur le loquet du bras et ajustez la tige de support à la hauteur appropriée. L'auvent est ouvert. (Figure D11). Vous pouvez insérer le clou de sol dans les supports inférieurs pour rendre l'auvent plus stable.

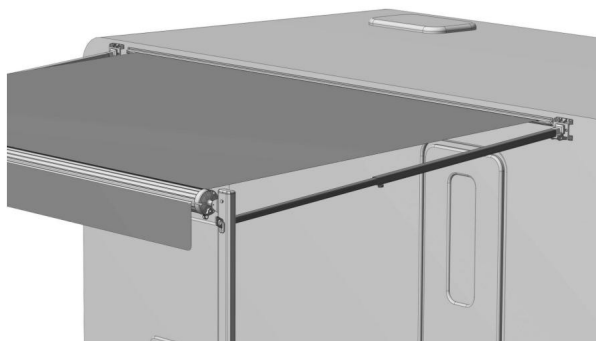


Figure D11

d. Utilisez le clou de sol pour rendre l'auvent plus stable. (Figure D12)



Figure D12

## 4.2 Fermeture du support

au sol de l'auvent Fermeture : (fonctionnement séquentiel à partir de 4.2.1), fermeture du support du véhicule (fonctionnement séquentiel à partir de 4.2.2) :

### 4.2.1 Récupération de l'état de support au sol

Tout d'abord, faites pivoter la tige de support vers l'intérieur et faites-la pivoter vers l'arrière, puis serrez l'arbre fixe sur le pied du bras de support dans la fente du support d'installation inférieur et passez-le à l'état de support du véhicule. (Figure D13)

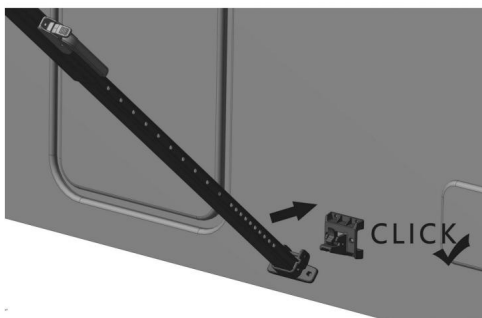


Figure D13

### 4.2.2 Récupération de l'état de support du véhicule

4.2.3 Soulevez le loquet du bras et appuyez sur la tête de verrouillage pour rétracter les bras de support. Voir (Figure D14)

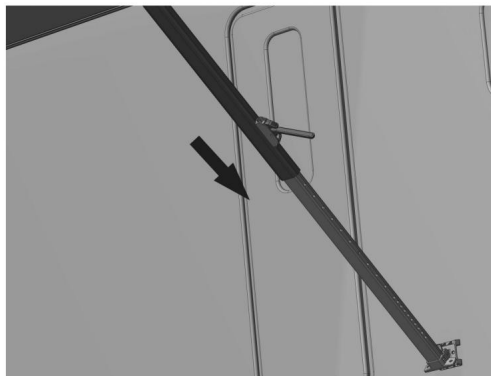


Figure D14

4.2.4 Tirez le loquet et repoussez la tige intérieure le long du bras de support. (Figure D15)

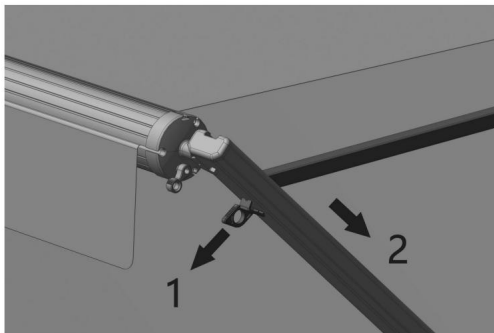


Figure D15

4.2.5 Maintenez la courroie en boucle et poussez doucement le levier à cliquet situé sur le couvercle d'extrémité du rouleau dans le sens de la flèche avec votre main, en changeant le sens du cliquet sur « off ». (Figure D16)

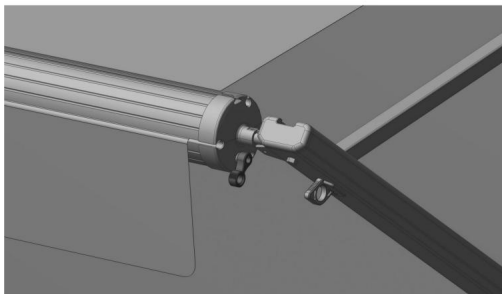


Figure D16

4.2.6 Relâchez lentement la bobine de recyclage jusqu'à ce qu'elle soit complètement rétractée. (À la fin, le coude d'un côté de la tige de traction peut être utilisé pour insérer la sangle à enrouleur pour un fonctionnement auxiliaire). (Figure D17)

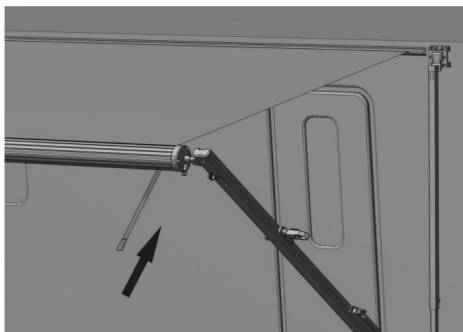


Figure D17

4.2.7 Appuyez sur le verrou de déplacement au milieu du bras de support et serrez la vis de la tige intérieure. Le store est fermé. (Figure D18)

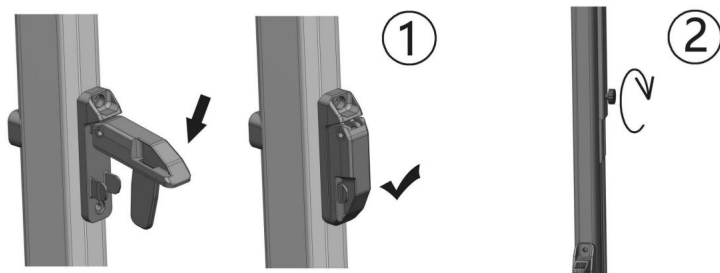


Figure D18

4.2.8 Nous recommandons d'utiliser le store uniquement à des fins de protection solaire. En cas de forte pluie, de neige et de vent, veuillez fermer le store pour éviter tout dommage. Si le store est utilisé sous une pluie légère, ajustez la longueur du pied de support et inclinez un côté du store pour évacuer rapidement l'eau. (Figure D19)

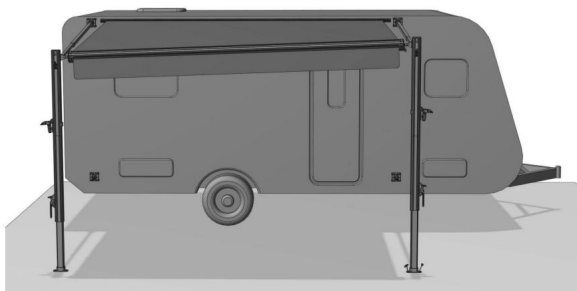


Figure D19



SCANNEZ LE CODE OU POUR VOIR LA VIDÉO D'UTILISATION

## DÉPANNAGE

Chaque store est soumis à un débogage et à des tests rigoureux avant de quitter l'usine pour obtenir le meilleur état possible. Cependant, après une période d'utilisation, certaines anomalies peuvent survenir. Veuillez les gérer en fonction des situations suivantes.

1. Faible enroulement du rouleau de store : Vérifiez si le ressort de torsion du rouleau libère la force. La méthode de force ascendante du ressort de spirale consiste à insérer un tournevis de 6 mm de diamètre dans le trou de l'arbre en acier à l'extrémité du rouleau, à le faire tourner 10 à 13 fois dans le sens de la force ascendante indiqué par le couvercle d'extrémité, puis à insérer la goupille de sécurité et à réinstaller le rouleau dans la tige de support. (Figure E1)

Attention : la torsion de la bobine peut provoquer des blessures accidentelles. Veuillez à utiliser une épingle de sûreté et à l'utiliser en toute sécurité.

2. Impossible de déplacer le levier à cliquet : le levier à cliquet est coincé à l'intérieur du cliquet en raison du couple du ressort. En tournant le levier à cliquet, vous pouvez tirer doucement sur la bobine et tirer sur la sangle avant de tourner le levier à cliquet. (Figure E2)

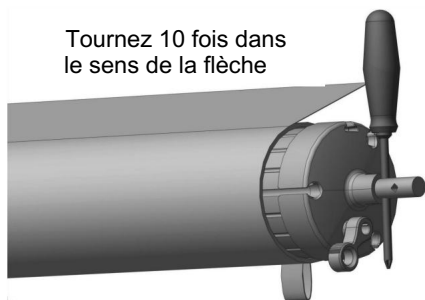


Figure E1

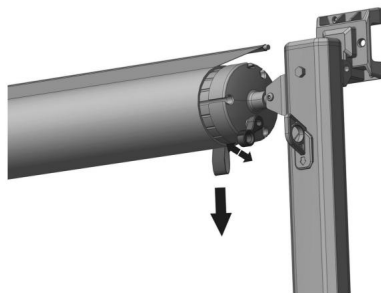


Figure E2

3. Le tissu des deux côtés du rouleau est plié de manière inégale et un côté ne peut pas être tendu : vérifiez si le tissu du store est endommagé ou déformé et remplacez le tissu du pare-soleil. Alternativement, un autocollant de réglage d'épaisseur appropriée peut être appliqué sur le bord du tube enroulé du côté qui ne peut pas être entièrement tendu (à fournir séparément), et la quantité du cercle de bâche peut être ajustée avec précision pour assurer un serrage uniforme des deux côtés. (Figure E3).

4. Difficulté à appuyer sur la tête de verrouillage : ajoutez une quantité appropriée d'huile lubrifiante sur la tête de verrouillage et la zone de la languette

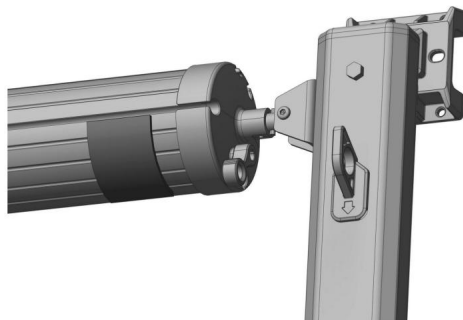


Figure E3

## DIAGRAMME DE STRUCTURE DU PRODUIT

certains produits peuvent avoir des ajustements et ne seront pas répertoriés (Figure G1)

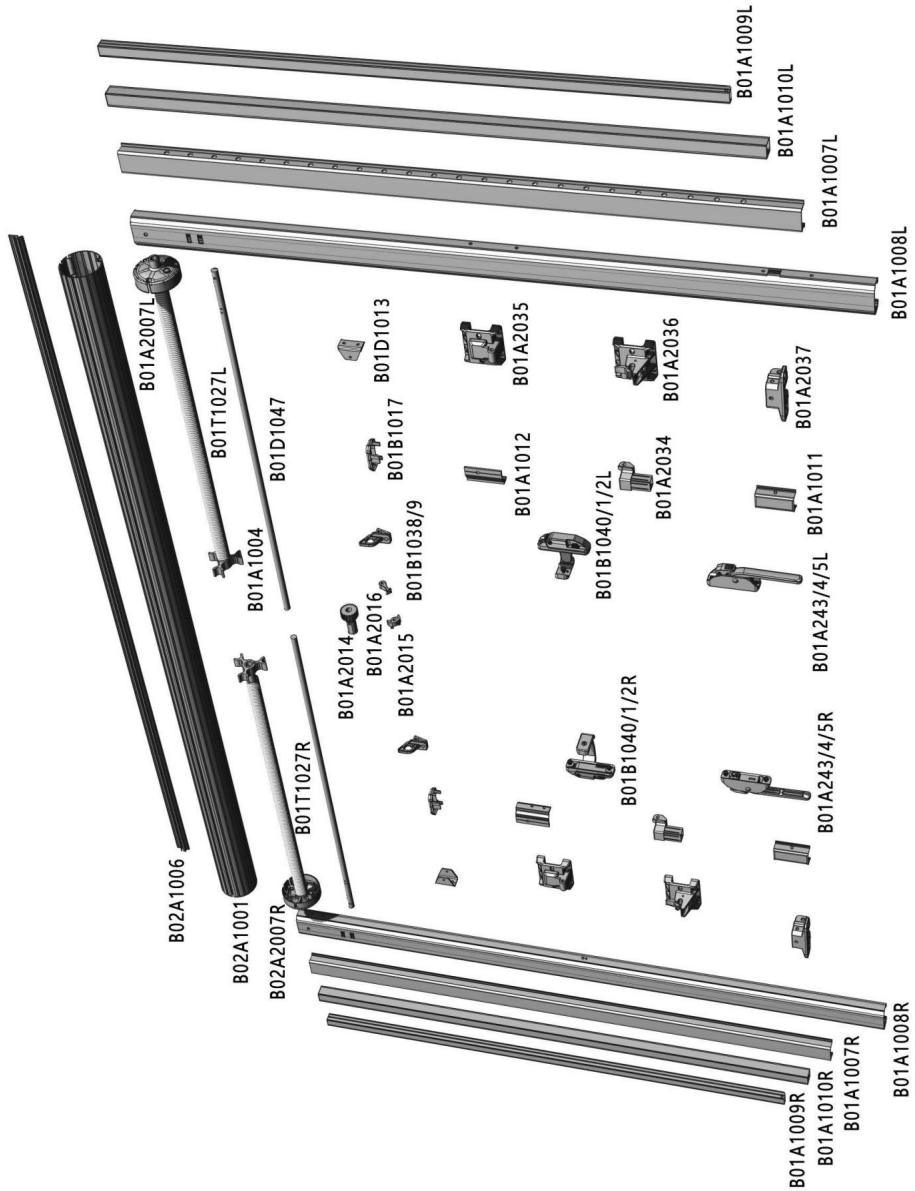
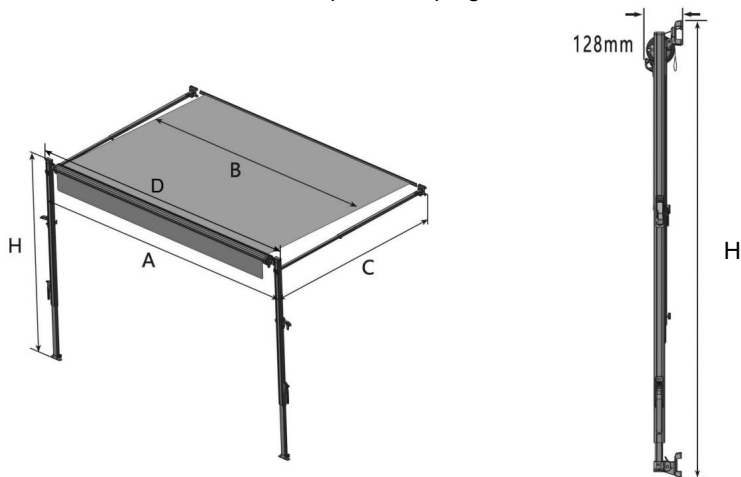


Figure G1

Auvent manuel pour camping-car B1



Store Taille	UN (mm)	B (mm)	C (mm)	D (mm)	H (mm)	Couleur de l'auvent (soutien)
14'	4303	4013	2348	4373	1700	Noir
15'	4608	4318	2348	4678	1700	Noir
16'	4913	4623	2348	4983	1700	Noir
17'	5218	4928	2348	5288	1700	Noir
18'	5522	5232	2348	5592	1700	Noir
18'	5522	5232	2348	5592	1700	Blanc
20'	6132	5842	2348	6202	1700	Noir
20'	6132	5842	2348	6202	1700	Blanc



Fabricant : Shanghaimuxinmuyeyouxiangongsi

Adresse : Shuangchenglu 803nong11hao1602A-1609shi, baoshanqu, shanghai  
200000 CN.

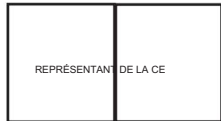
Importé en Australie : SIHAO PTY LTD. 1 ROKEVA STREETEASTWOOD  
NSW 2122 Australie

Importé aux États-Unis : Sanven Technology Ltd. Suite 250, 9166 Anaheim  
Lieu, Rancho Cucamonga, CA 91730



YH CONSULTING LIMITÉE.

A/S YH Consulting Limited Bureau 147,  
Centurion House, London Road,  
Staines-upon-Thames, Surrey, TW18 4AX



E-CrossStu GmbH

Mainzer Landstr.69,  
60329 Francfort-sur-le-Main.

# VEVOR®

## TOUGH TOOLS, HALF PRICE

Assistance technique et certificat de garantie électronique

[www.vevor.com/support](http://www.vevor.com/support)

# **VEVOR<sup>®</sup>**

## **TOUGH TOOLS, HALF PRICE**

Technischer Support und E-Garantie-Zertifikat [www.vevor.com/support](http://www.vevor.com/support)

### **EINZIEHBARE MARKISE FÜR RV**

**MODELL: B1**

Wir sind weiterhin bestrebt, Ihnen Werkzeuge zu wettbewerbsfähigen Preisen anzubieten. „Sparen Sie die Hälfte“, „Halber Preis“ oder andere ähnliche Ausdrücke, die wir verwenden, stellen nur eine Schätzung der Ersparnis dar, die Sie beim Kauf bestimmter Werkzeuge bei uns im Vergleich zu den großen Topmarken erzielen können, und decken nicht unbedingt alle von uns angebotenen Werkzeugkategorien ab. Wir möchten Sie freundlich daran erinnern, bei Ihrer Bestellung bei uns sorgfältig zu prüfen, ob Sie im Vergleich zu den großen Topmarken tatsächlich die Hälfte sparen.

**VEVOR**<sup>®</sup>  
TOUGH TOOLS, HALF PRICE

Einziehbare Markise für Wohnmobile

MODELL: B1



<Bild nur als Referenz>

**Brauchen Sie Hilfe? Kontaktieren Sie uns!**

Haben Sie Fragen zum Produkt? Benötigen Sie technischen Support? Bitte kontaktieren Sie uns:

**Technischer Support und E-Garantie-Zertifikat [www.vevor.com/support](http://www.vevor.com/support)**

Dies ist die Originalanleitung. Bitte lesen Sie alle Anweisungen sorgfältig durch, bevor Sie das Gerät in Betrieb nehmen. VEVOR behält sich eine klare Auslegung unserer Bedienungsanleitung vor. Das Erscheinungsbild des Produkts richtet sich nach dem Produkt, das Sie erhalten haben. Bitte verzeihen Sie uns, dass wir Sie nicht erneut informieren, wenn es Technologie- oder Software-Updates für unser Produkt gibt.

## WICHTIGE SICHERHEITSHINWEISE



**WARNUNG:** Lesen und verstehen Sie dieses Handbuch vollständig, bevor Sie es in Betrieb nehmen. oder Wartung dieses Produkts. Bei Nichtbeachtung dieser Warnungen und Anweisungen können zu Verletzungen oder zur Beschädigung wertvoller Gegenstände führen.

• Am besten schließen Sie die Montage der Markise mit einem

Assistent. Wenn Sie auf einer Leiter stehen, seien Sie bitte vorsichtig und umsichtig. • Die

Installation und Demontage durch zwei Personen ist sicherer und einfacher. Bitte

Lesen Sie in der Bedienungsanleitung Ihres

Wohnmobils nach. • Vermeiden Sie die Nutzung der Markise durch Kinder. Dieses Produkt ist kein Spielzeug.

Lassen Sie Kinder damit

spielen. • Halten Sie scharfe Spitzen, Klingen und andere Gegenstände fern. •

Halten Sie offene Flammen fern. Dieses Produkt entzündet sich und brennt, wenn

mit einer offenen Flamme in Kontakt gebracht werden. •

Halten Sie den Installationsbereich sauber und gut beleuchtet. •

Halten Sie während der Montage umstehende Personen vom Bereich fern. Installieren Sie nicht, wenn

Müdigkeit oder unter dem Einfluss von Alkohol, Drogen oder Medikamenten.

• Die Produktfunktionen gelten für ordnungsgemäß und vollständig installierte

• Weitere

Informationen zu den in den folgenden Abschnitten aufgeführten Teilen finden Sie

Seiten finden Sie im Zubehörpaket dieser Anleitung.

Alle Teile in einem sauberen Arbeitsbereich auspacken und trennen. Bitte klein halten

Ersatzteile außerhalb der Reichweite von Kindern aufbewahren.

• Wenden Sie beim Zusammenbau oder bei der Lagerung des Produkts keine übermäßige Kraft an. •

Dieses Produkt MUSS von einem qualifizierten Servicetechniker installiert/gewartet werden.

Techniker.

• STOSS- ODER QUETSCHGEFAHR. Dieses Produkt sollte in einem

kontrollierte Umgebung. Installieren Sie das Produkt NICHT bei Wind

Wetterbedingungen oder wenn Wind zu erwarten ist. Andernfalls könnte das Produkt

sich unvorhersehbar bewegen, instabil werden und sich [lösen/verbiegen/

Zusammenbruch].




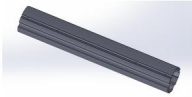

## BEWAHREN SIE DIESE ANWEISUNGEN AUF




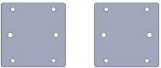




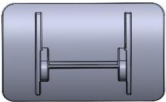


Vielen Dank, dass Sie sich für diese Wohnmobil-Markise entschieden haben. Bitte lesen Sie alle Anweisungen, bevor Sie sie verwenden. Die Informationen helfen Ihnen, das Beste zu erreichen mögliche Ergebnisse.




### TECHNISCHE PARAMETER

Produktname	Einziehbare Markise für Wohnmobile
Modell	B1
Material	Aluminium
Stoff	aus PVC
Farbe	Weiß&Schwarz
Passendes Fahrzeug	Wohnmobile

### PAKETLISTE

NEIN.	Name	Bild	Menge
1	Rolleneinheit (L)		1
2	Rolleneinheit (R)		1
3	Verlängerungsrolle		1
4	Rohr anschließen		2
5	Stoff		1

6	Stoff Ploy-Cord		3
7	Schlaufengürtel		1
8	Stützstangenkomponente		2
9	Aluminiumplatte		2
10	Zauberstab ziehen		1
11	Bodennagel		4
12	Walze		1
13	Mittelhalterungsbasis		1
14	Center Cradle-Unterstützung		1
15	Türunterstützung		1
16	Schraube A		24

17	Schraube B		40
18	Schraube C		24
19	Schraube D		10

## MONTAGEANLEITUNG

### Einführung

Um die Markise besser nutzen zu können, lesen Sie die Bedienungsanleitung vor der Verwendung bitte sorgfältig durch.

Bitte bewahren Sie die Bedienungsanleitung zur künftigen Verwendung sorgfältig auf.

B1 Manuell ausrollbare Markise für Wohnmobile – vollständiges Diagramm

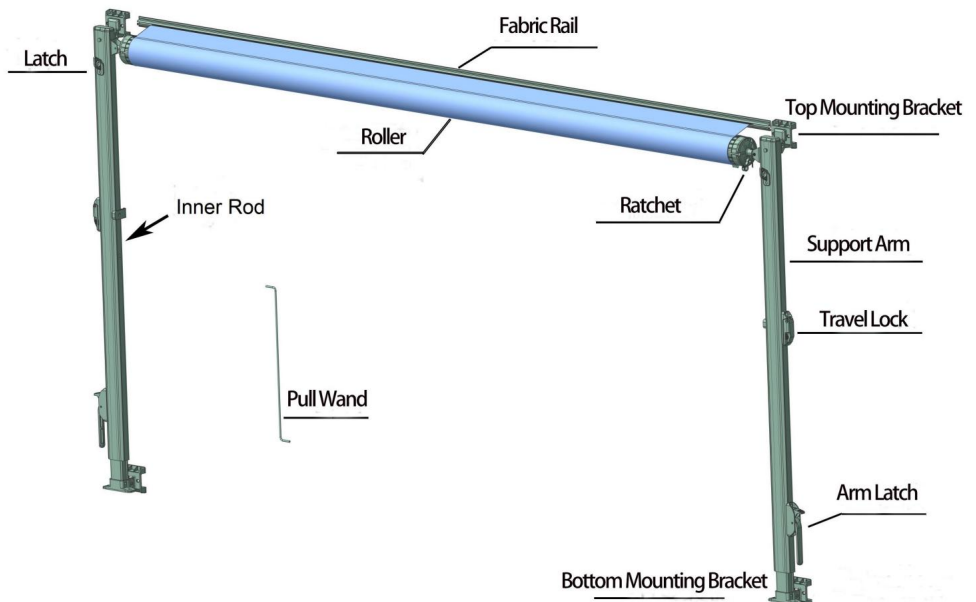


Abbildung C1

Die Markise B1 wird seitlich am Fahrzeug montiert und mit oberen und unteren unteren Montagehalterungen (Abbildung C2). Die Vorsichtsmaßnahmen und Installationsmethoden sind wie folgt:

1. Die Markise muss von 2 oder mehr Personen montiert werden.
2. Überprüfen Sie vor der Installation, ob sich an der Stelle der Fahrzeugkarosserie, an der die Installationshalterung befestigt wird, Verstärkungsrippen befinden und ob sich an der Bohrstelle Hindernisse wie Wasser-, Strom- und andere Leitungen befinden (Abbildung C3). Oder erkundigen Sie sich beim Fahrzeughändler nach relevanten Informationen.

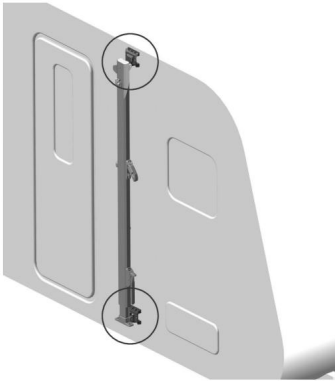


Abbildung C2

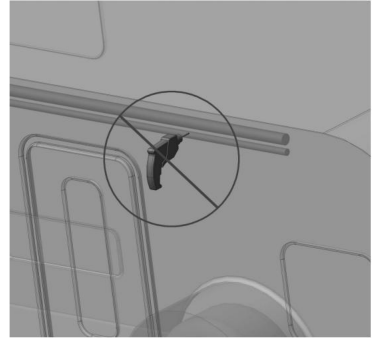


Abbildung C3

### 3. Installationsmethode:

3.1 Nehmen Sie die Stoffschiene heraus und befestigen Sie sie mit den Schrauben B an der Außenseite der Fahrzeugkarosserie (Abbildung C4). Die Stoffschiene sollte waagrecht installiert werden. Wenn dies nicht der Fall ist, sollte sie waagrecht ausgerichtet werden (der Polsterblock sollte bereitgestellt werden) (Abbildung C5). Wenn die Fahrzeugkarosserie mit einem Stoffeinführschlitz vorinstalliert ist, kann dieser Schritt ausgelassen und der Stoff Schiene muss nicht verwendet werden.

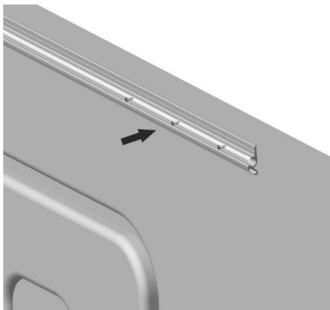


Abbildung C4

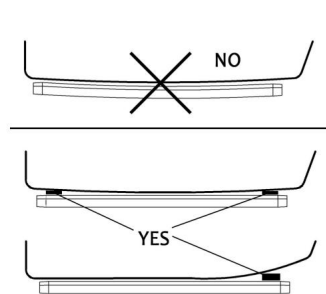


Abbildung C5

3.2 Nehmen Sie den Stützarm, markieren Sie damit die Lochposition an einer geeigneten Stelle an der Außenseite des Fahrzeugs (Abbildung C6) und bohren Sie ein Montageloch mit  $\varnothing 5$  in die Fahrzeugkarosserie (Abbildung C7).

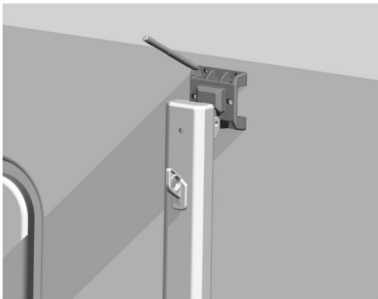


Abbildung C6

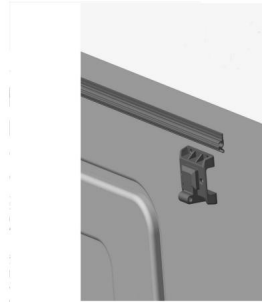


Abbildung C7

3.3 Nehmen Sie die unteren Halterungen von den Armen, setzen Sie sie mit Aluminiumplatten in die untere Installationsposition und befestigen Sie sie mit Schraube C und Schraube D (Abbildung C8). Montieren Sie anschließend den Arm an der Halterung und befestigen Sie die oberen Halterungen ebenfalls mit Schraube C und Schraube D. Stellen Sie sicher, dass die beiden Arme auf gleicher Höhe sind. (Abbildung C9)

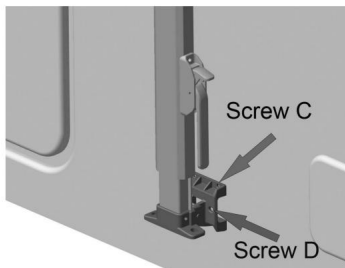


Abbildung C8



Abbildung C9

3.4 Die Verbindungsrohre an beiden Enden des mittleren Wickelrohrs bis zur roten Endposition herausziehen, das linke und rechte Wickelrohr zusammenfügen und mit Schraube A an der Verbindung fixieren. (Bild C10, Bild C11)

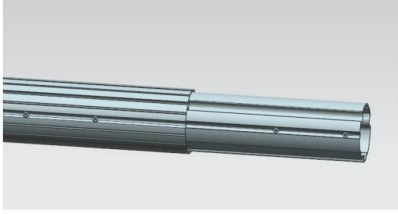


Abbildung C10

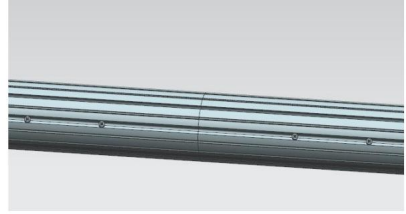


Abbildung C11

3.5 Öffnen Sie den Stoff, führen Sie ihn in den Schlitz der Rollenröhre ein und stecken Sie dann den Führen Sie das vordere Ende des Stoffes in einen anderen Schlitz auf der Rollenwelle und befestigen Sie dann die Schraube B an Verhindern Sie, dass sich der Stoff bewegt. Führen Sie anschließend den Stoffstreifen in den Schlitz ein. den Schlaufengurt an der Leiste. (Abbildung C12, Abbildung C13, Abbildung C14, Abbildung C15)

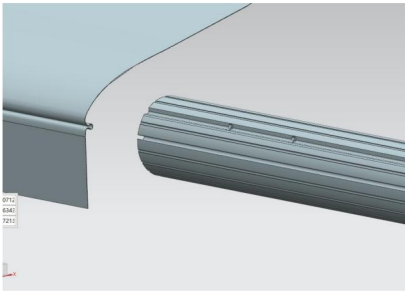


Abbildung C12

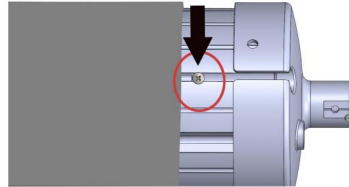


Abbildung C13

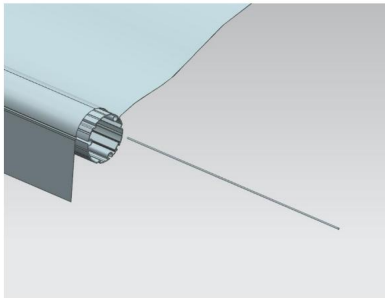


Abbildung C14

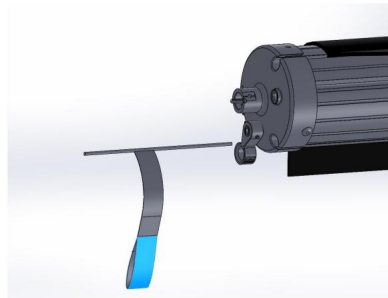


Abbildung C15

3.6 Wickeln Sie den Stoff in der gleichen Richtung auf die Rolle und lassen Sie einen Kreis frei und fädeln Sie den Stoff in die Stoffschiene des Fahrzeugs ein (Abbildung C15), befestigen Sie die Wellenloch am Ende der Rolle zur oberen Halterung der Stützstange (Abbildung C16).

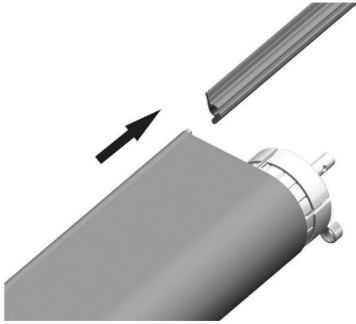


Abbildung C15

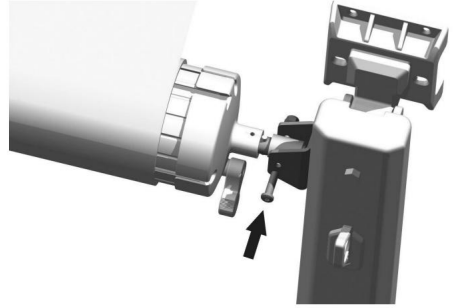


Abbildung C16

3.7 Entfernen Sie die Sicherheitsstifte auf beiden Seiten der Endkappen der Rolle (Abbildung C17), um die Stoffrolle unter Spannung zu spannen.

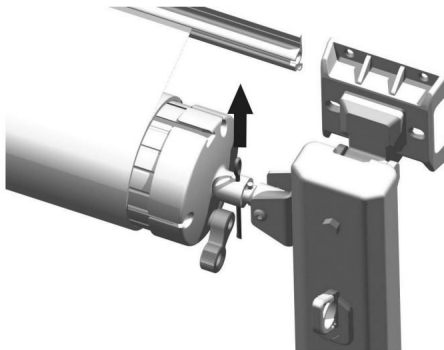


Abbildung C17

**! Achtung: Im Inneren der Rolle befindet sich eine Aufrollfeder, die mit einer Aufwärtskraft voreingestellt ist. Bitte achten Sie darauf, alle Schrauben der Markisenrolle vollständig festzuziehen, bevor Sie den Sicherheitsstift entfernen, da es sonst zu versehentlichen Verletzungen kommen kann!**

3.8 Öffnen und schließen Sie die Markise 2-3 Mal, damit sich Markisenstoff und -mechanismus natürlich an ihre Position anpassen können. (Siehe Verwendungsmethode). Überprüfen Sie, ob alle Schrauben fest sind und die Markise normal verwendet werden kann. Ziehen Sie dann Schraube B auf beiden Seiten fest, um zu verhindern, dass sich der Stoff bewegt. (Abbildung C18)

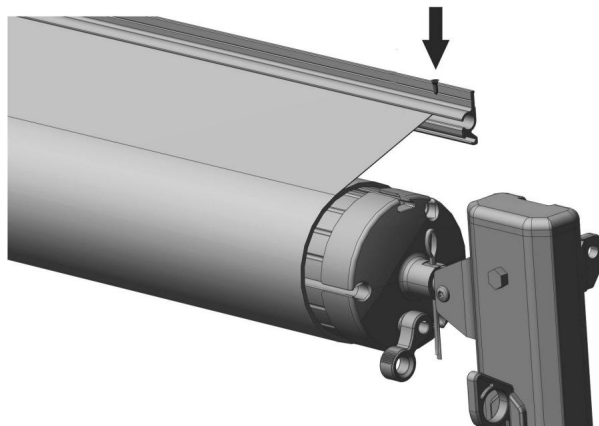


Abbildung C18

### 3.9 Türstütze installieren Finden

Sie die richtige Position für die Türstütze. Die Türstütze muss 0,4 Zoll höher sein als die Tür. Befestigen Sie die Türstütze dann mit Schraube B (Abbildung C19, Abbildung C20).



Abbildung C19

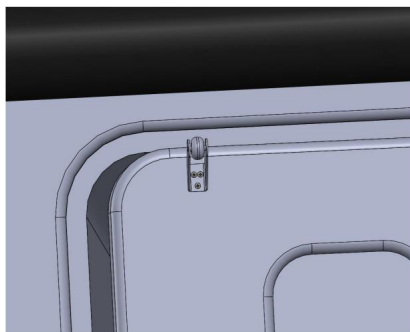


Abbildung C20

### 3.10 Installation der Mittelhalterung

Finden Sie die richtige Position für die Mittelhalterung, legen Sie die Mittelhalterung unter die Rolle und markieren Sie die Position mit einem Stift. Befestigen Sie die Mittelhalterung mit Schraube C und setzen Sie dann den Bolzen in die Mittelhalterung ein. (Abbildung C21, Abbildung C22)

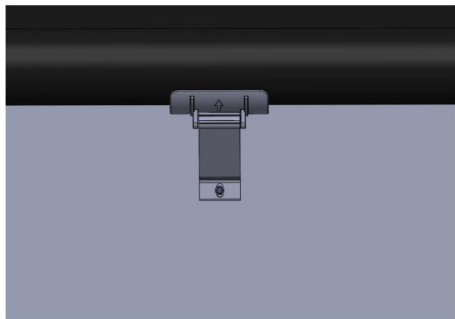


Abbildung C21

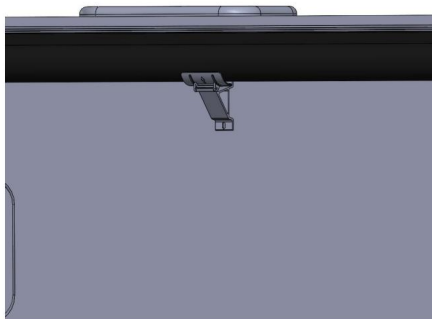


Abbildung C22

3.11 Installieren Sie den Aufbewahrungsclip für die Zuggriffstange.

Wählen Sie die geeignete Position für den Aufbewahrungsclip und befestigen Sie ihn mit der Schraube B (Abbildung C23).

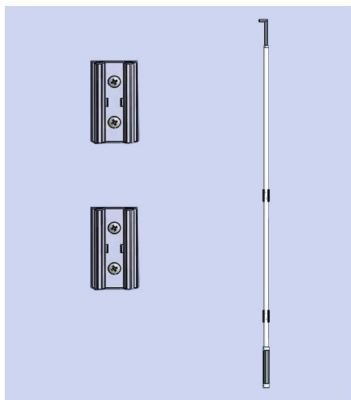


Abbildung C2



SCANNEN SIE DEN CODE, UM DAS INSTALLATIONSVIDEO ANZUSEHEN

## 4. Verwendungsmethode:

Nachdem die oben beschriebene Installation der Markise abgeschlossen ist, überprüfen Sie das Aussehen und Stellen Sie sicher, dass die Schrauben in den oben genannten Teilen fest angezogen sind.

### 4.1 Markise öffnen

4.1.1 Öffnen Sie die Sicherheitsverriegelung in der Mitte der Stützstangen auf beiden Seiten (drücken und ziehen, Abbildung D1) und die Spannstangenschraube lösen (Abbildung D2).

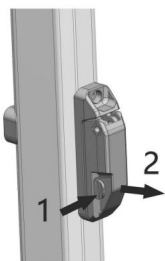


Abbildung D1

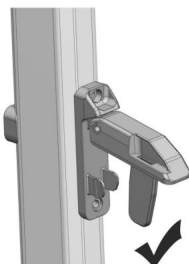


Abbildung D2



4.1.2 Haken Sie den Ratschenhebel mit dem Zugstab an der Endabdeckung der Walze ein und ziehen Sie ihn vorsichtig. Bewegen Sie den Ratschenhebel in Pfeilrichtung und schalten Sie die Sperrklinkenrichtung um „offen“ (Abbildung D3).

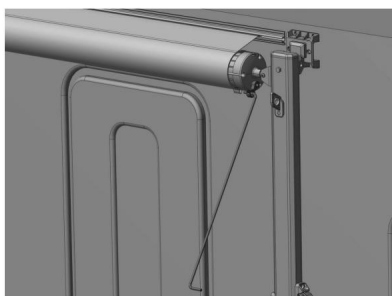


Abbildung D3

4.1.3 Stecken Sie den Winkel auf einer Seite des Zugstabs in den Schlaufengurt der Ratsche und ziehen Sie die Markise nach außen, bis sie vollständig ausgefahren ist. (Abbildung D4)



Abbildung D4

4.1.4 Schieben Sie die Innenstange entlang der Stützstange heraus, schieben Sie sie und befestigen Sie sie in der Schnalle am Kopf des Stützarms (Abbildung D5). Ziehen Sie anschließend den schwarzen Feststellknopf fest, um die Innenstange zu fixieren.

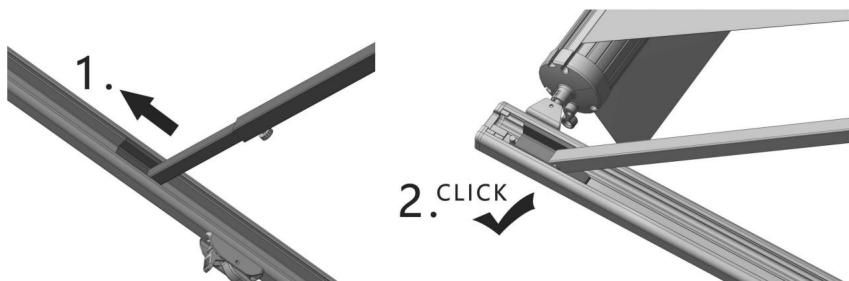


Abbildung D5

4.1.5 Es gibt zwei Arten von Stützen für Markisen, nämlich Karosseriestützen und Bodenstützen: 1)

Karosseriestützen für Fahrzeuge (Abbildung D6)

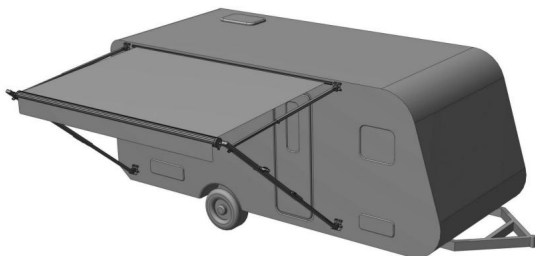


Abbildung D6

a. Heben Sie die Armverriegelung an und drücken Sie den Verriegelungskopf nach unten. Schieben Sie den Stützarm dann auf die entsprechende Höhe (Abbildung D7) und lassen Sie den Verriegelungskopf los, um den Stützarm zu verriegeln. Arm.

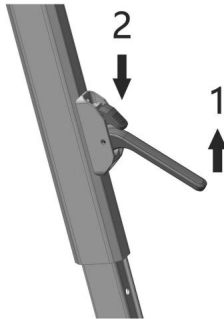


Abbildung D7

• **Achtung:** Wenn die Innenstange des Stützarms in die rote Warnposition gleitet, ist die maximale Stützhöhe erreicht. Wenn sie vollständig herausgleitet, kann die Innenstange abfallen. b. Feineinstellung der Innenstange und Spannen des Markisenstoffs. Die Markise wurde geöffnet. (Abbildung D8)

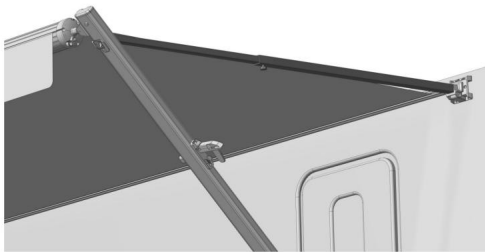


Abbildung D8

2) Bodenunterstützung (Abbildung D9)



Abbildung D9

a. Lösen Sie die Verriegelung der unteren Montagehalterung und platzieren Sie sie vertikal auf

der Boden. (Abbildung D10)

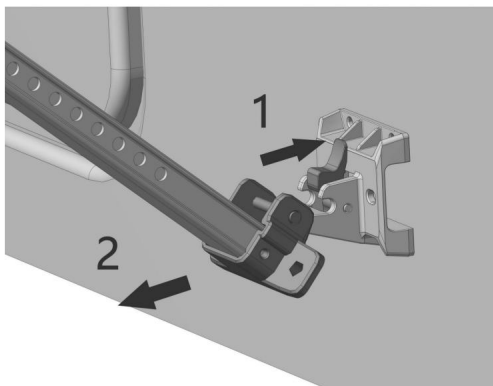


Abbildung D10

b. Lösen Sie den schwarzen Feststellknopf, um die Markise maximal auszufahren, und ziehen Sie ihn dann fest. c. Drücken Sie die Armverriegelung nach unten und stellen Sie die Stützstange auf die entsprechende Höhe ein. Die Markise ist nun geöffnet. (Abbildung D11). Und Sie können die Bodennägel in die unteren Halterungen einschlagen, um der Markise mehr Stabilität zu verleihen.

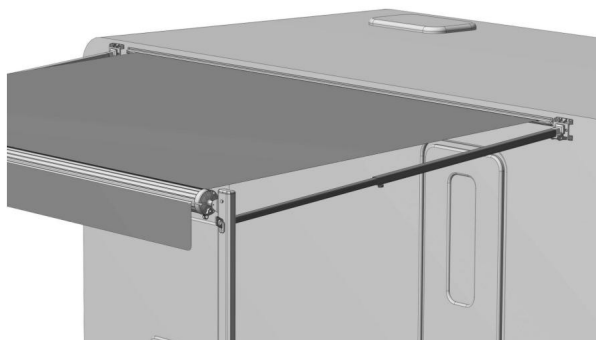


Abbildung D11

d. Verwenden Sie den Bodennagel, um die Markise stabiler zu machen. (Abbildung D12)



Abbildung D12

## 4.2 Markise schließen.

Bodenstütze schließen: (sequentieller Vorgang ab 4.2.1), Fahrzeugstütze schließen (sequentieller Vorgang ab 4.2.2): 4.2.1

Wiederherstellen des Bodenstütze-Status.

Zuerst die Stützstange nach innen drehen und zurückschwenken, dann die feste Welle am Fuß des Stützarms in den Schlitz der unteren Montagehalterung klemmen und in den Fahrzeugstütze-Status schalten. (Abbildung D13)

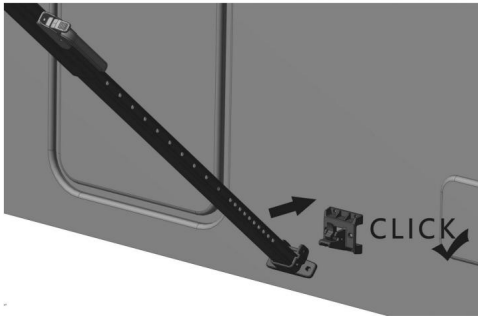


Abbildung D13

### 4.2.2 Wiederherstellen des Fahrzeugstützstatus 4.2.3

Heben Sie die Armverriegelung an und drücken Sie den Verriegelungskopf nach unten, um die Stützarme einzufahren. Siehe (Abbildung D14).

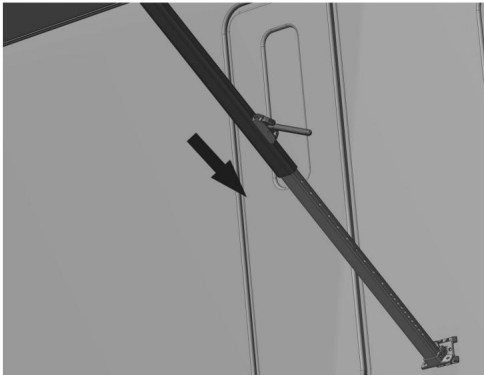


Abbildung D14

4.2.4 Ziehen Sie den Riegel und schieben Sie die innere Stange entlang des Stützarms zurück. (Abbildung D15)

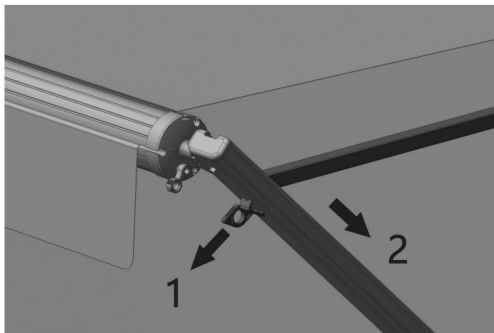


Abbildung D15

4.2.5 Halten Sie den Schlaufengurt fest und drücken Sie mit der Hand den Sperrklinkenhebel an der Endabdeckung der Rolle leicht in Pfeilrichtung, wodurch die Richtung der Sperrklinke auf „Aus“ gestellt wird. (Abbildung D16)

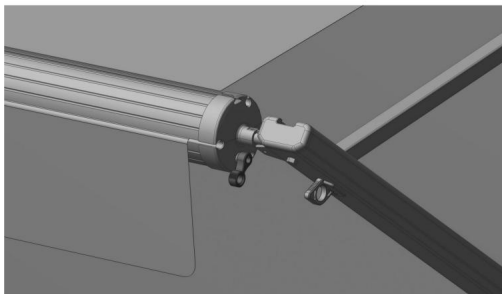


Abbildung D16

4.2.6 Lassen Sie die Recyclingrolle langsam los, bis sie vollständig eingefahren ist. (Am Ende kann der Winkel auf einer Seite der Zugstange verwendet werden, um den Rollengurt für den Hilfsbetrieb einzuführen.) (Abbildung D17)

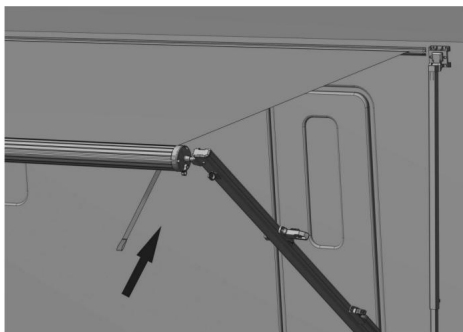


Abbildung D17

4.2.7 Drücken Sie die Verfahrsperrung in der Mitte des Tragarms nach unten und ziehen Sie die Schraube der Innenstange fest. Die Markise ist geschlossen. (Bild D18)

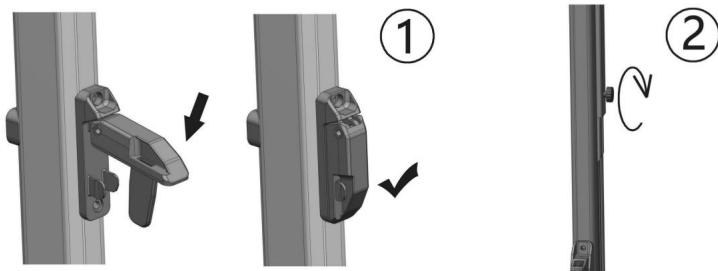


Abbildung D18

4.2.8 Wir empfehlen, die Markise nur als Sonnenschutz zu verwenden. Bei starkem Regen, Schnee und Wind schließen Sie die Markise bitte, um Schäden zu vermeiden. Wenn die Markise bei leichtem Regen verwendet wird, passen Sie die Länge des Stützbeins an und kippen Sie eine Seite der Markise, um das Wasser schnell ablaufen zu lassen. (Abbildung D19)

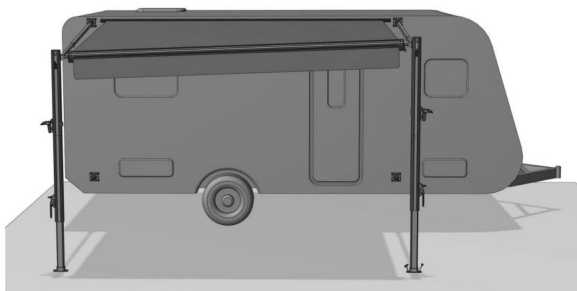


Abbildung D19



SCANNEN SIE DEN QR-CODE, UM DAS ANWENDUNGSVIDEO ANZUSEHEN

## FEHLERBEHEBUNG

Jede Markise wird vor Verlassen des Werks strengen Tests unterzogen, um den bestmöglichen Zustand zu erreichen. Nach einer gewissen Nutzungsdauer können jedoch einige Anomalien auftreten. Bitte gehen Sie entsprechend den folgenden Situationen damit um.

1. Schwaches Aufwickeln der Markisenrolle: Überprüfen Sie, ob die Torsionsfeder der Rolle Kraft freigibt. Die Aufwärtskraftmethode der Rollenfeder besteht darin, einen Schraubendreher mit 6 mm Durchmesser in das Stahlwellenloch am Ende der Rolle einzuführen, ihn 10-13 Mal in die durch die Endabdeckung angegebene Aufwärtskraftrichtung zu drehen, dann den Sicherheitsstift einzusetzen und die Rolle wieder in die Stützstange einzubauen. (Abbildung E1)

Achtung: Die Torsion der Rolle kann zu versehentlichen Verletzungen führen. Verwenden Sie unbedingt einen Sicherheitsstift und verwenden Sie sie unter Berücksichtigung der Sicherheit.

2. Ratschenhebel lässt sich nicht bewegen: Der Ratschenhebel steckt in der Ratsche fest aufgrund des Drehmoments der Feder. Wenn Sie den Ratschenhebel drehen, können Sie die Rolle vorsichtig ziehen und das Band ziehen, bevor Sie den Ratschenhebel drehen. (Abbildung E2)

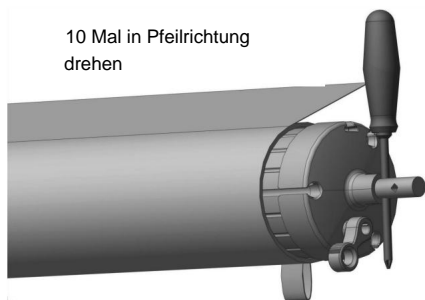


Abbildung E1

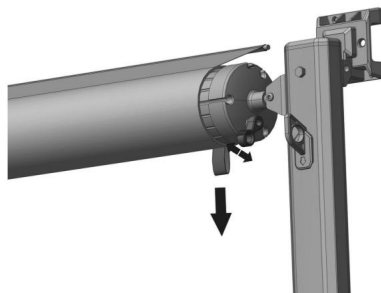


Abbildung E2

3. Der Stoff auf beiden Seiten der Rolle ist ungleichmäßig gefaltet und eine Seite kann nicht festgezogen werden: Überprüfen Sie, ob der Markisenstoff beschädigt oder verformt ist, und ersetzen Sie den Sonnenschutzstoff. Alternativ kann ein Anpassungsaufkleber mit geeigneter Dicke auf die Kante des gerollten Rohrs auf der Seite aufgebracht werden, die nicht vollständig festgezogen werden kann (wird separat bereitgestellt), und die Menge des Planenkreises kann fein abgestimmt werden, um ein gleichmäßiges Festziehen auf beiden Seiten zu gewährleisten. (Abbildung E3).

4. Schwierigkeiten beim Drücken des Schlosskopfes: Geben Sie eine angemessene Menge Schmieröl in den Schlosskopf- und Zungenbereich

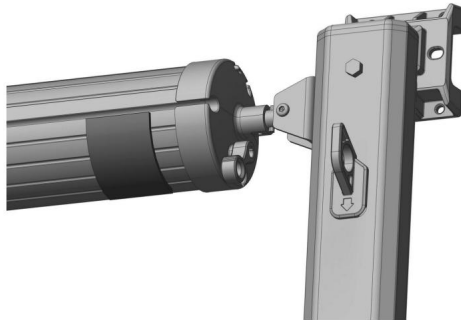


Abbildung E3

## PRODUKTSTRUKTURDIAGRAMM

Einige Produkte können Anpassungen aufweisen und werden daher nicht aufgeführt (Abbildung G1)

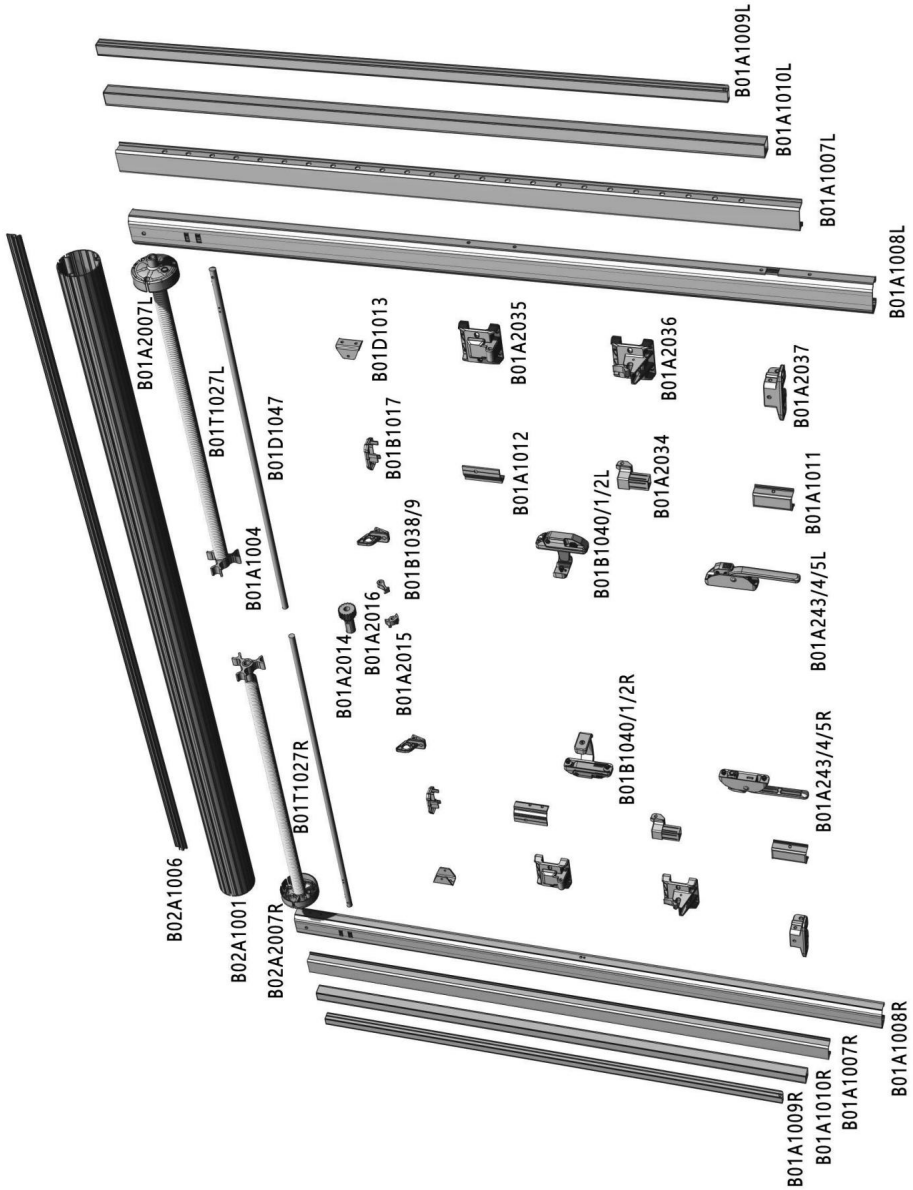
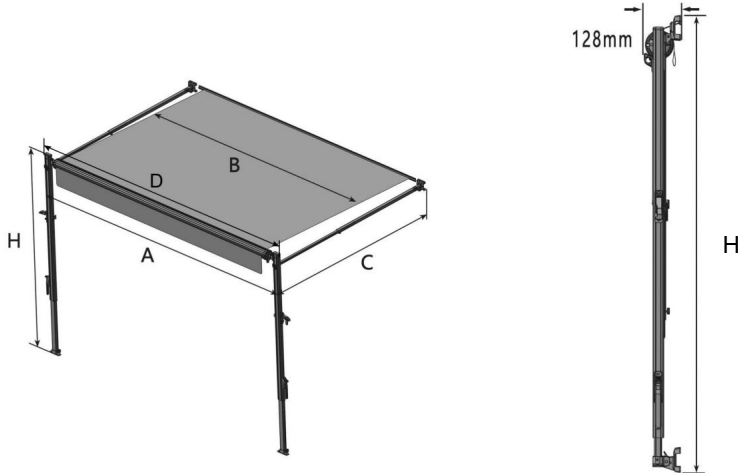


Abbildung G1

## B1 Manuell ausrollbare Wohnmobil-Markise



Markise Größe	A (mm)	B (mm)	C (mm)	D (mm)	H (mm)	Markisenfarbe (Unterstützung)
14'	4303	4013	2348	4373	1700	Schwarz
15'	4608	4318	2348	4678	1700	Schwarz
16'	4913	4623	2348	4983	1700	Schwarz
17'	5218	4928	2348	5288	1700	Schwarz
18'	5522	5232	2348	5592	1700	Schwarz
18'	5522	5232	2348	5592	1700	Weiß
20'	6132	5842	2348	6202	1700	Schwarz
20'	6132	5842	2348	6202	1700	Weiß



**Hersteller:** Shanghaimuxinmuyeyouxiangongsi

**Adresse:** Shuangchenglu 803nong11hao1602A-1609shi, baoshanqu, Shanghai 200000 CN.

**Nach AUS importiert:** SIHAO PTY LTD. 1 ROKEVA STREETEASTWOOD NSW 2122 Australien

**Importiert in die USA:** Sanven Technology Ltd. Suite 250, 9166 Anaheim Ort, Rancho Cucamonga, CA 91730



YH CONSULTING LIMITED.

C/O YH Consulting Limited Office 147,  
Centurion House, London Road,  
Staines-upon-Thames, Surrey, TW18 4AX



E-CrossStu GmbH

Mainzer Landstr.69,  
60329 Frankfurt am Main.

# VEVOR®

**TOUGH TOOLS, HALF PRICE**

**Technischer Support und E-Garantie-Zertifikat**

[www.vevor.com/support](http://www.vevor.com/support)

# **VEVOR<sup>®</sup>**

## **TOUGH TOOLS, HALF PRICE**

Supporto tecnico e certificato di garanzia elettronica [www.vevor.com/support](http://www.vevor.com/support)

### **TENDA DA SOLE RETRATTILE PER CAMPER**

**MODELLO: B1**

Continuiamo a impegnarci per fornirvi strumenti a prezzi competitivi.

"Risparmia la metà", "Metà prezzo" o qualsiasi altra espressione simile da noi utilizzata rappresenta solo una stima del risparmio che potresti ottenere acquistando determinati utensili con noi rispetto ai principali marchi principali e non significa necessariamente coprire tutte le categorie di utensili da noi offerti. Ti ricordiamo gentilmente di verificare attentamente quando effettui un ordine con noi se stai effettivamente risparmiando la metà rispetto ai principali marchi principali.

# VEVOR®

TOUGH TOOLS, HALF PRICE

## Tendalino retrattile per camper

MODELLO: B1



<Immagine solo per riferimento>

**HAI BISOGNO DI AIUTO? CONTATTACI!**

Hai domande sul prodotto? Hai bisogno di supporto tecnico? Non esitare a contattarci:

**Supporto**

**tecnico e certificato di garanzia elettronica [www.vevor.com/  
support](http://www.vevor.com/support)**

Questa è l'istruzione originale, si prega di leggere attentamente tutte le istruzioni del manuale prima di utilizzare. VEVOR si riserva una chiara interpretazione del nostro manuale utente. L'aspetto del prodotto sarà soggetto al prodotto ricevuto. Vi preghiamo di perdonarci se non vi informeremo di nuovo se ci sono aggiornamenti tecnologici o software sul nostro prodotto.

## IMPORTANTI MISURE DI SICUREZZA



**ATTENZIONE:** leggere e comprendere l'intero manuale prima di utilizzare il prodotto o la manutenzione di questo prodotto. La mancata osservanza di queste avvertenze e istruzioni possono causare lesioni personali o danni a beni di valore.

- ÿ È meglio completare il processo di montaggio della tenda da sole con un assistente. Quando sei su una scala, sii cauto e prudente. ÿ L'installazione e lo smontaggio da parte di due persone è più sicuro e semplice.
- ÿ consultare il manuale del proprietario del camper.
- ÿ Evitare che i bambini utilizzino la tenda da sole e questo prodotto non è un giocattolo, non consentire ai bambini di giocare.
- ÿ Tenere lontano da punte affilate, lame e altri oggetti.
- ÿ Tenere lontano da fiamme libere. Questo prodotto si accenderà e brucerà se portato a contatto con una fiamma libera.
- ÿ Mantenere l'area di installazione pulita e ben illuminata.
- ÿ Tenere gli astanti fuori dall'area durante il montaggio. Non installare quando stanchi o sotto l'effetto di alcol, droghe o farmaci.
- ÿ Le capacità del prodotto si applicano a prodotti installati correttamente e completamente solo prodotti.
- ÿ Per ulteriori informazioni riguardanti le parti elencate di seguito pagine, fare riferimento alla confezione degli accessori di questo manuale.
- ÿ Disimballare e separare tutte le parti in un'area di lavoro pulita. Si prega di tenere piccole pezzi di ricambio fuori dalla portata dei bambini.
- ÿ Non usare una forza eccessiva durante il montaggio o lo stoccaggio del prodotto.
- ÿ Questo prodotto DEVE essere installato/riparato da un servizio qualificato tecnico.
- ÿ **PERICOLO DI IMPATTO O SCHIACCIAMENTO.** Questo prodotto deve essere installato in un ambiente controllato. **NON** installare il prodotto in condizioni ventose condizioni o quando è previsto vento. In caso contrario, il prodotto potrebbe muoversi in modo imprevedibile, diventare instabili e potrebbero [staccarsi/piegarsi/crollo].




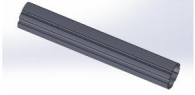

## SALVA QUESTE ISTRUZIONI




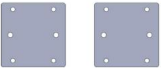




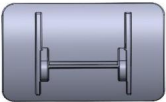


Grazie mille per aver scelto questa tenda da sole per camper. Si prega di leggere tutte le istruzioni prima di utilizzarlo. Le informazioni ti aiuteranno a ottenere il miglior risultato possibili risultati.




### PARAMETRO TECNICO

Nome del prodotto	Tendalino retrattile per camper
Modello	B1
Materiale	Alluminio
Tessuto	PVC
Colore	Bianco e nero
Veicolo adatto	Camper

### ELENCO DEI PACCHETTI

NO.	Nome	Immagine	Quantità
1	Gruppo rulli (L)		1
2	Gruppo rulli (R)		1
3	Rullo di estensione		1
4	Collegare il tubo		2
5	Tessuto		1

6	Corda di tessuto		3
7	cintura ad anello		1
8	Componente asta di supporto		2
9	Piastra in alluminio		2
10	Tirare la bacchetta		1
11	Chiodo di terra		4
12	Platina		1
13	Base della culla centrale		1
14	Supporto per culla centrale		1
15	Supporto porta		1
16	Vite A		24

17	Vite B		40
18	Vite C		24
19	Vite D		10

## ISTRUZIONI DI MONTAGGIO

### Introduzione

Per utilizzare al meglio la tenda da sole, leggere attentamente il manuale d'uso prima dell'uso.

Conservare con cura il manuale d'uso per riferimento futuro.

Schema completo tendalino per camper con srotolamento manuale B1

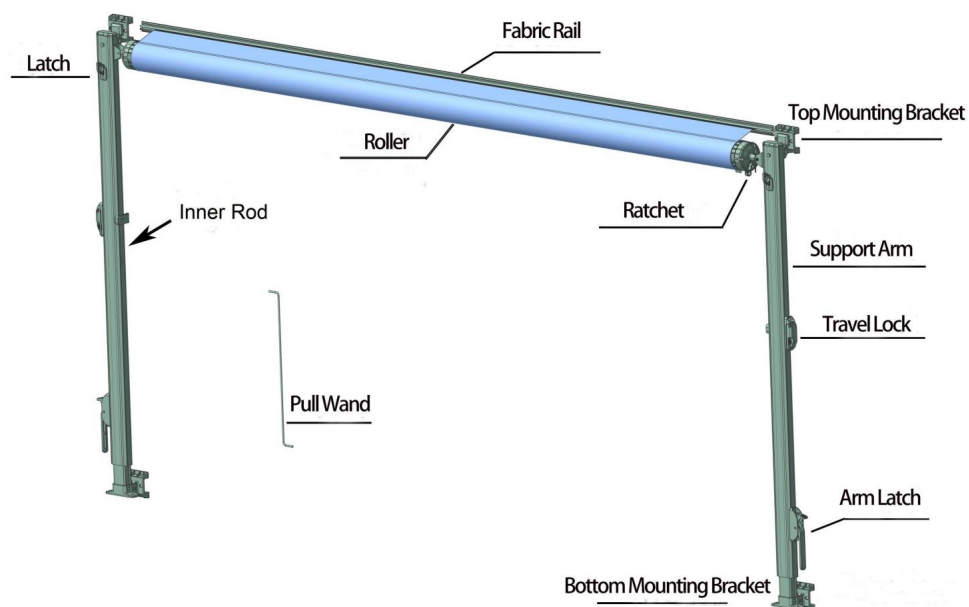


Figura C1

La tenda B1 viene installata sul lato del veicolo e fissata con viti superiori e staffe di montaggio inferiori (Figura C2). Le precauzioni e i metodi di installazione sono i seguenti:

1. La tenda da sole deve essere installata da 2 o più persone.
2. Prima dell'installazione, verificare se sono presenti nervature di rinforzo nella posizione della carrozzeria del veicolo utilizzata per fissare la staffa di installazione e se sono presenti ostacoli come acqua, elettricità e altre linee nella posizione di foratura (Figura C3). Oppure chiedere al concessionario del veicolo informazioni pertinenti.

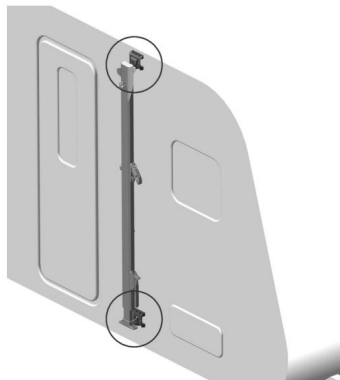


Figura C2



Figura C3

### 3. Metodo di installazione:

3.1 Estrarre la guida in tessuto e fissarla all'esterno della carrozzeria del veicolo con le viti B (Figura C4). La guida in tessuto deve essere installata orizzontalmente e, in caso contrario, deve essere livellata (il blocco ammortizzatore deve essere fornito) (Figura C5). Se la carrozzeria del veicolo è preinstallata con una fessura di inserimento del tessuto, questo passaggio può essere omesso e il tessuto non è necessario utilizzare la ferrovia.

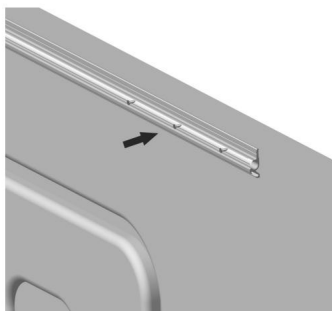


Figura C4

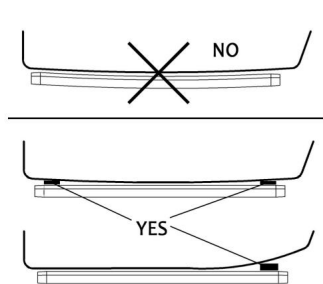


Figura C5

3.2 Prendere il braccio di supporto, contrassegnare la posizione del foro in un punto adatto sulla parte esterna del veicolo (Figura C6) e praticare un foro di installazione  $\varnothing 5$  sulla carrozzeria del veicolo (Figura C7).

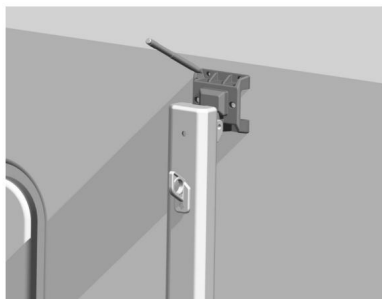


Figura C6

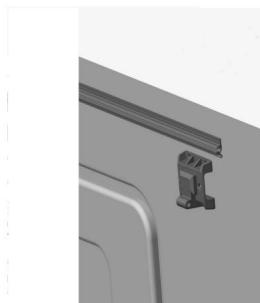


Figura C7

3.3 Prendi le staffe inferiori dai bracci, mettile nella posizione di installazione inferiore con le piastre di alluminio, fissale con la vite C e la vite D (Figura C8), quindi assembli il braccio alla staffa, fissa anche le staffe superiori con la vite C e la vite D. Assicurati che i due bracci siano alla stessa altezza (Figura C9).

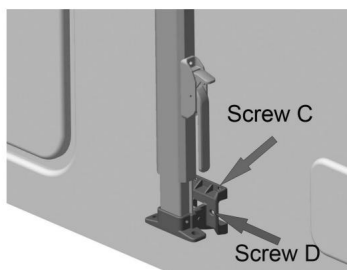


Figura C8

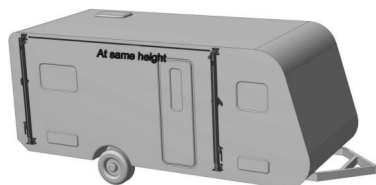


Figura C9

3.4 Estrarre i tubi di collegamento su entrambe le estremità del tubo di avvolgimento centrale fino alla posizione limite rossa, assemblare i tubi di avvolgimento sinistro e destro e fissarli con la vite A al collegamento. (Figura C10, Figura C11)

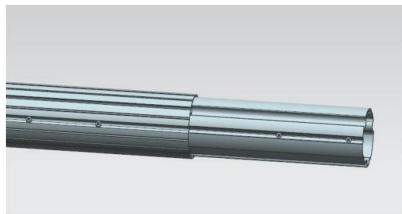


Figura C10

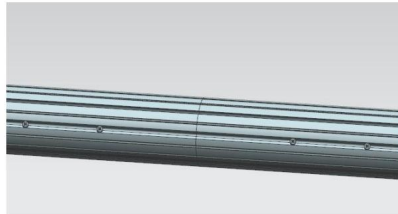


Figura C11

3.5 Aprire il tessuto, inserire il tessuto nella fessura del tubo avvolgitore, quindi inserire il l'estremità anteriore del tessuto in un'altra fessura sul tubo del rotolo, quindi fissare la vite B a per evitare che il tessuto si muova, quindi inserire la striscia di tessuto nella fessura. Ultimo inserimento la cintura ad anello alla striscia. (Figura C12, Figura C13, Figura C14, Figura C15)

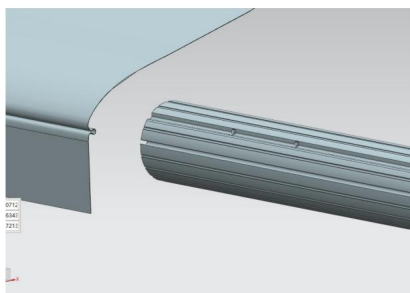


Figura C12

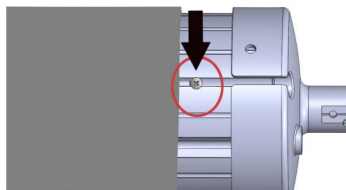


Figura C13

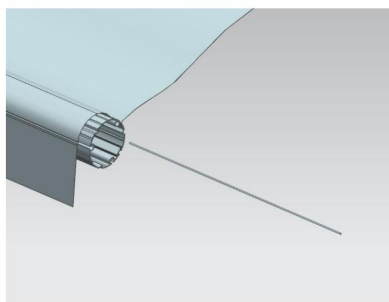


Figura C14

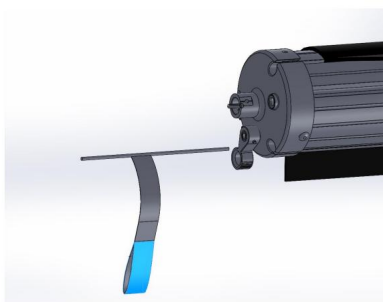


Figura C15

3.6 Avvolgere il tessuto nella stessa direzione sul tubo del rotolo, lasciando un cerchio intatto e infilare il tessuto nella guida del tessuto del veicolo (Figura C15), fissare il foro dell'albero all'estremità del rullo alla staffa superiore dell'asta di supporto (Figura C16).

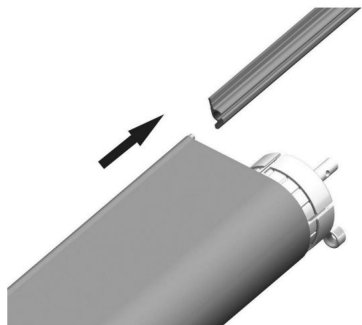


Figura C15

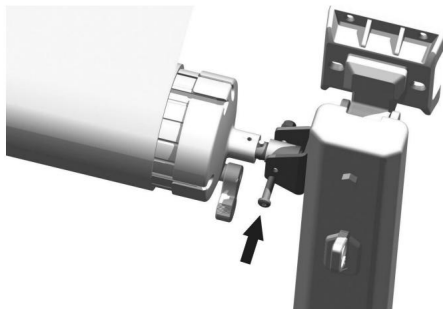


Figura C16

3.7 Rimuovere i perni di sicurezza su entrambi i lati dei cappucci terminali del rullo (Figura C17) per tendere il rotolo di tessuto sotto sforzo.

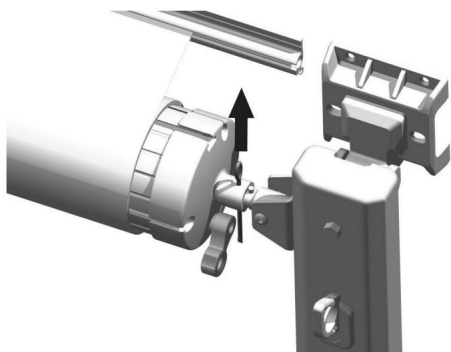


Figura C17

**Attenzione: all'interno della pergamena è presente una molla di avvolgimento, preimpostata con una forza verso l'alto. Assicurarsi di fissare completamente tutte le viti del rullo della tenda prima di rimuovere il perno di sicurezza, altrimenti potrebbe causare lesioni accidentali!**

3.8 Aprire e chiudere la tenda 2-3 volte per consentire al tessuto e al meccanismo della tenda di regolarsi naturalmente in posizione. (Vedere il metodo di utilizzo). Controllare che tutte le viti siano fissate e che la tenda possa essere utilizzata normalmente, quindi fissare la Vite B su entrambi i lati per evitare che il tessuto si muova. (Figura C18)

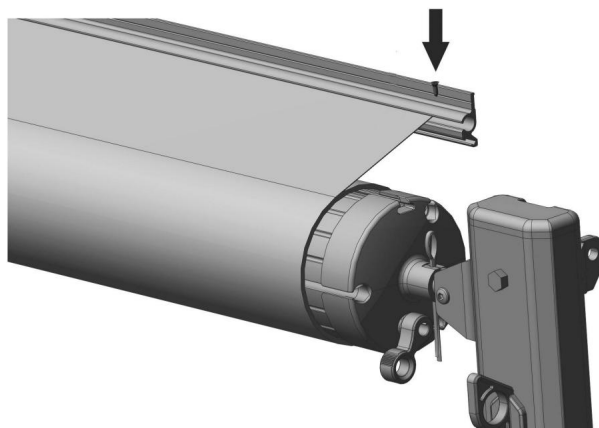


Figura C18

### 3.9 Installazione del supporto

della porta Trovare la posizione corretta per il supporto della porta, il supporto della porta deve essere più alto di 0,4 pollici rispetto alla porta, quindi fissare il supporto della porta con la vite B (Figura C19, Figura C20)



Figura C19

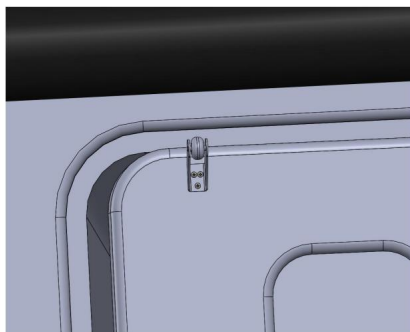


Figura C20

### 3.10 Installazione della culla centrale

Trova la posizione corretta per la culla centrale, metti la culla centrale sotto il rullo, segna la posizione con un pennarello. Fissa la culla centrale con la vite C, quindi inserisci il bullone nella culla centrale. (Figura C21, Figura C22)

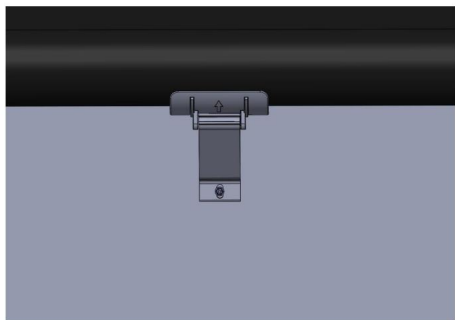


Figura C21

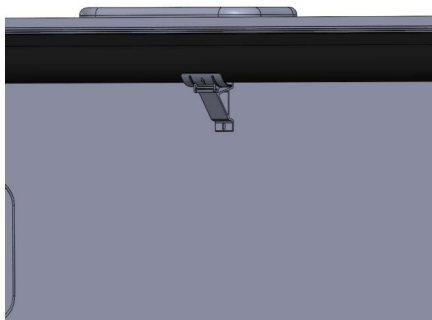


Figura C22

3.11 Installare la clip di stoccaggio per l'asta della maniglia di trazione Scegliere la posizione adatta per la clip di stoccaggio e fissarla con la vite B (Figura C23)

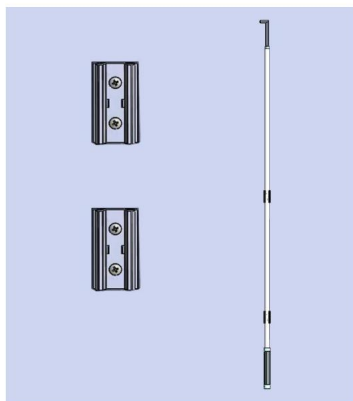


Figura C2



SCANSIONA IL CODICE PER VISUALIZZARE IL VIDEO DI INSTALLAZIONE

## 4. Metodo di utilizzo:

Dopo aver completato l'installazione della tenda da sole sopra descritta, controllare l'aspetto e assicurarsi che le viti nelle parti sopra menzionate siano saldamente fissate.

### 4.1 Aprire la tenda da sole

4.1.1 Aprire il blocco di sicurezza posto al centro delle aste di supporto su entrambi i lati (premere e tirare, Figura D1) e allentare la vite del tirante (Figura D2).

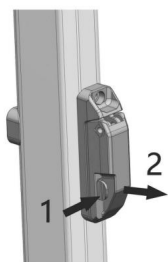


Figura D1

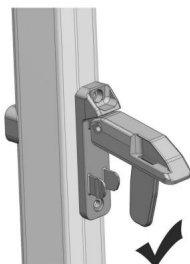


Figura D2



4.1.2 Agganciare la leva a cricchetto sul coperchio terminale del rullo con la bacchetta di trazione, delicatamente spostare la leva a cricchetto nella direzione della freccia e cambiare la direzione del nottolino in "aperto" (Figura D3).

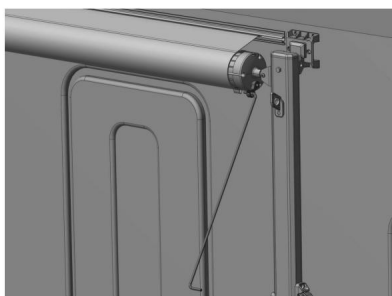


Figura D3

4.1.3 Inserire il gomito su un lato della bacchetta di trazione nella cinghia ad anello del cricchetto e tirare la tenda da sole verso l'esterno fino a quando non è completamente estesa. (Figura D4)



Figura D4

4.1.4 Spingere l'asta interna lungo l'asta di supporto, farla scorrere e agganciarla alla fibbia situata sulla testa del braccio di supporto (Figura D5), quindi stringere la manopola di bloccaggio nera per fissare l'asta interna.

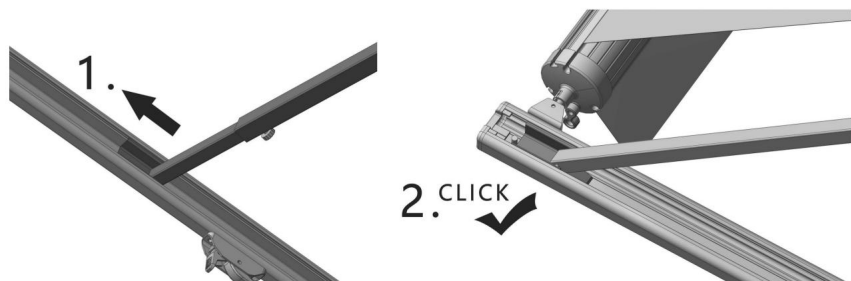


Figura D5

4.1.5 Esistono due tipi di supporto per la tenda da sole, ovvero il supporto della carrozzeria e il supporto a terra: 1)

Supporto della carrozzeria del veicolo (Figura D6)

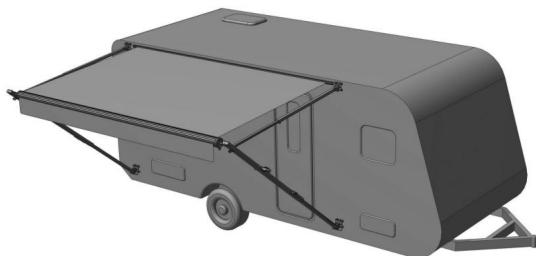


Figura D6

a. Sollevare il fermo del braccio e premere verso il basso la testa di bloccaggio, quindi far scorrere fuori dal braccio di supporto all'altezza appropriata (Figura D7) e rilasciare la testa di bloccaggio per bloccare il supporto braccio.

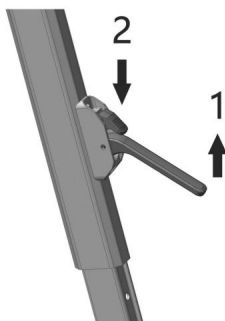


Figura D7

⚠ **Attenzione:** quando l'asta interna del braccio di supporto scorre nella posizione di avviso rossa, raggiunge l'altezza massima del supporto. Quando scorre completamente fuori, l'asta interna potrebbe cadere. b. Regolare con precisione l'asta interna e tendere il tessuto della tenda. La tenda è stata aperta. (Figura D8)

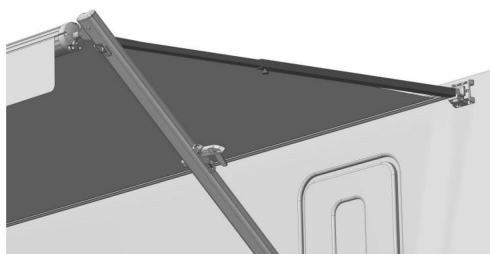


Figura D8

2) Supporto a terra (Figura D9)



Figura D9

a. Rilasciare il fermo delle staffe di installazione inferiori e posizionarle verticalmente su

il terreno. (Figura D10)

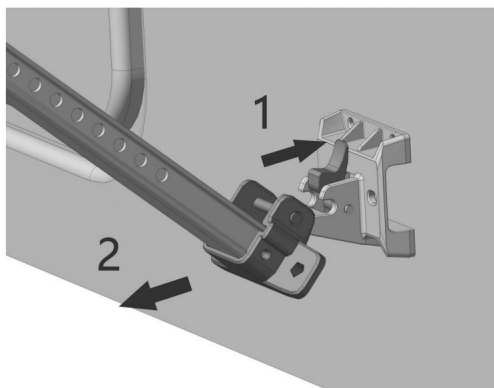


Figura D10

b. Allentare la manopola di bloccaggio nera per estendere al massimo la tenda da sole, quindi stringerla.

c. Premere verso il basso il fermo del braccio e regolare l'asta di supporto all'altezza appropriata.

La tenda è stata aperta. (Figura D11). E puoi inserire il chiodo di terra nelle staffe inferiori, per rendere la tenda più stabile.

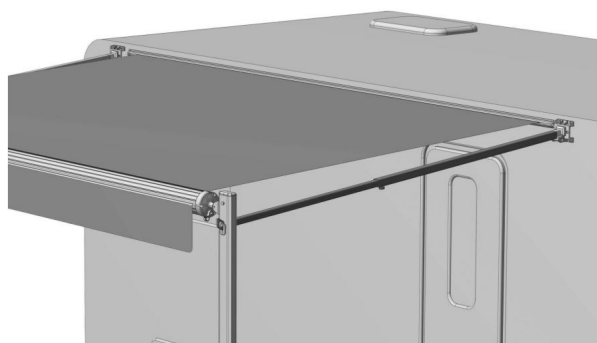


Figura D11

d. Utilizzare il chiodo da terra per rendere la tenda più stabile. (Figura D12)



Figura D12

## 4.2 Chiusura del supporto

a terra della tenda Chiusura: (operazione sequenziale a partire da 4.2.1), chiusura del supporto del veicolo (operazione sequenziale a partire da 4.2.2):

### 4.2.1 Ripristino dello stato di supporto a terra

Per prima cosa, ruotare l'asta di supporto verso l'interno e ruotarla indietro, quindi bloccare l'albero fisso sul piede del braccio di supporto nella fessura della staffa di installazione inferiore e commutarlo nello stato di supporto del veicolo. (Figura D13)

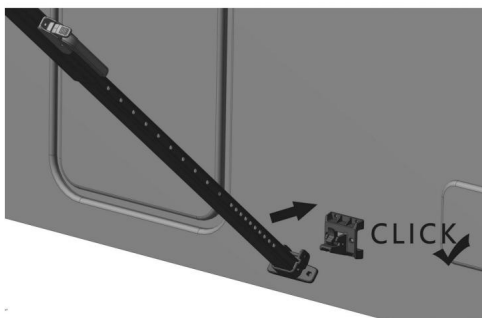


Figura D13

### 4.2.2 Recupero dello stato di supporto del veicolo

4.2.3 Sollevare il fermo del braccio e premere verso il basso la testa del blocco, per ritrarre i bracci di supporto. Vedere (Figura D14)

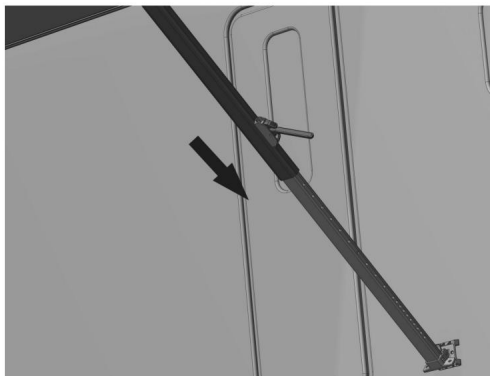


Figura D14

4.2.4 Tirare il fermo e spingere indietro l'asta interna lungo il braccio di supporto. (Figura D15)

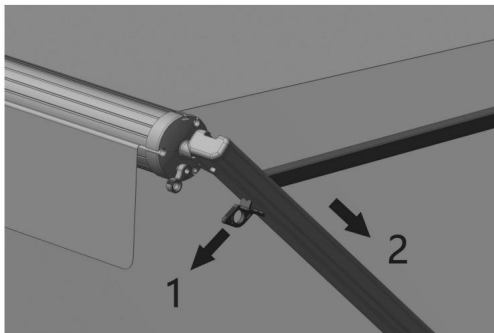


Figura D15

4.2.5 Tenere la cinghia ad anello e spingere delicatamente la leva a cricchetto sul coperchio terminale del rullo nella direzione della freccia con la mano, cambiando la direzione del cricchetto su "off". (Figura D16)

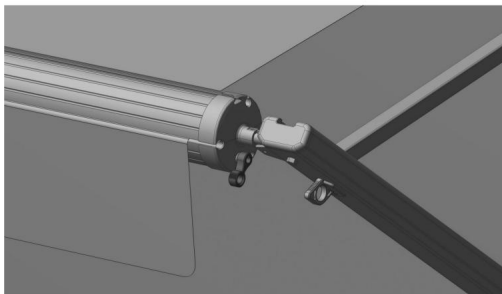


Figura D16

4.2.6 Rilasciare lentamente il rullo di riciclaggio fino a quando non è completamente retracts. (Alla fine, il gomito su un lato della bacchetta di trazione può essere utilizzato per inserire la cinghia del rullo per il funzionamento ausiliario). (Figura D17)

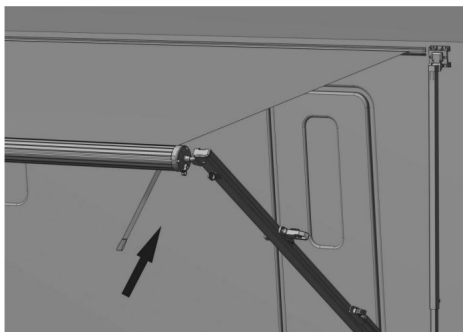


Figura D17

4.2.7 Premere verso il basso il blocco di viaggio al centro del braccio di supporto e stringere la vite dell'asta interna. La tenda è stata chiusa. (Figura D18)

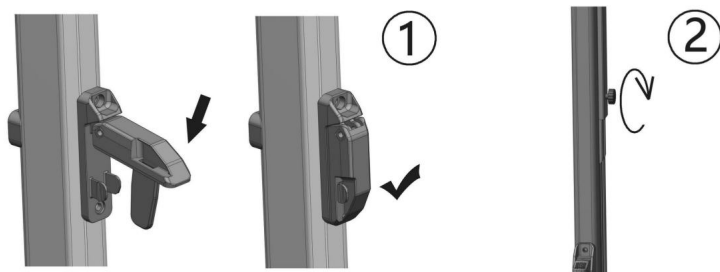


Figura D18

4.2.8 Si consiglia di utilizzare la tenda da sole solo per proteggere dal sole. In caso di pioggia battente, neve e vento, chiudere la tenda da sole per evitare danni. Se la tenda da sole viene utilizzata sotto una pioggia leggera, regolare la lunghezza della gamba di supporto e inclinare un lato della tenda da sole per drenare rapidamente l'acqua. (Figura D19)

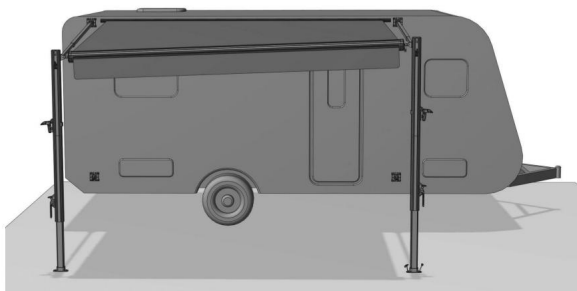


Figura D19



SCANSIONA IL CODICE QR PER VISUALIZZARE IL VIDEO SULL'UTILIZZO

## RISOLUZIONE DEI PROBLEMI

Ogni tenda da sole viene sottoposta a rigorosi controlli e test prima di lasciare la fabbrica per raggiungere le migliori condizioni. Tuttavia, dopo un periodo di utilizzo, potrebbero verificarsi delle anomalie. Si prega di gestirle in base alle seguenti situazioni.

1. Avvolgimento debole della spirale della tenda: controllare se la molla di torsione della spirale sta rilasciando forza. Il metodo di forza verso l'alto della molla della spirale consiste nell'inserire un cacciavite da 6 mm di diametro nel foro dell'albero in acciaio all'estremità della spirale, ruotarlo 10-13 volte nella direzione della forza verso l'alto indicata dal coperchio terminale, quindi inserire il perno di sicurezza e reinstallare la spirale nell'asta di supporto. (Figura E1)

Attenzione: la torsione del mulinello può causare lesioni accidentali. Si prega di assicurarsi di utilizzare una spilla di sicurezza e di azionarla con la premessa di garantire la sicurezza.

2. Impossibile spostare la leva a cricchetto: la leva a cricchetto è bloccata all'interno del cricchetto a causa della coppia della molla. Quando si gira la leva a cricchetto, è possibile tirare delicatamente la bobina e tirare la cinghia prima di girare la leva a cricchetto. (Figura E2)

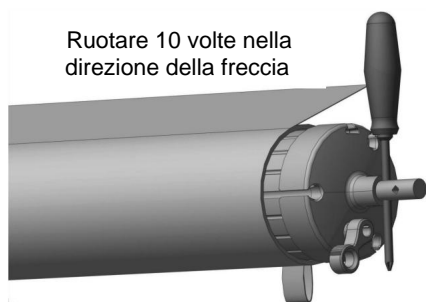


Figura E1

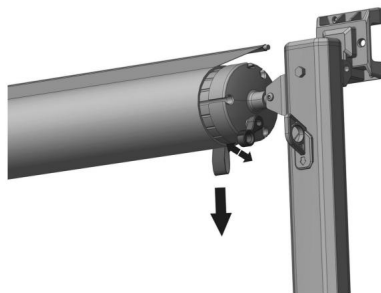


Figura E2

3. Il tessuto su entrambi i lati della pergamina è piegato in modo non uniforme e un lato non può essere stretto: controllare se il tessuto della tenda da sole è danneggiato o deformato e sostituire il tessuto dell'ombrellone. In alternativa, è possibile applicare uno spessore appropriato di adesivo di regolazione al bordo del tubo arrotolato sul lato che non può essere completamente stretto (da fornire separatamente) e la quantità del cerchio del telone può essere regolata con precisione per garantire un serraggio uniforme su entrambi i lati. (Figura E3).

4. Difficoltà nel premere la testa della serratura: aggiungere una quantità adeguata di olio lubrificante alla testa della serratura e all'area della linguetta

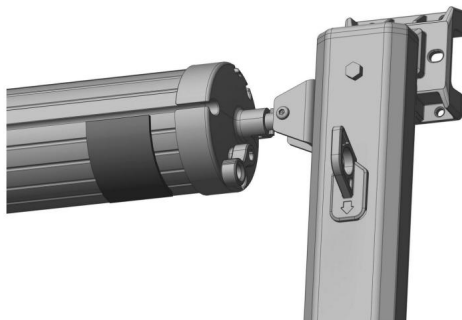


Figura E3

## SCHEMA DELLA STRUTTURA DEL PRODOTTO

alcuni prodotti potrebbero avere delle modifiche e non saranno elencati (Figura G1)

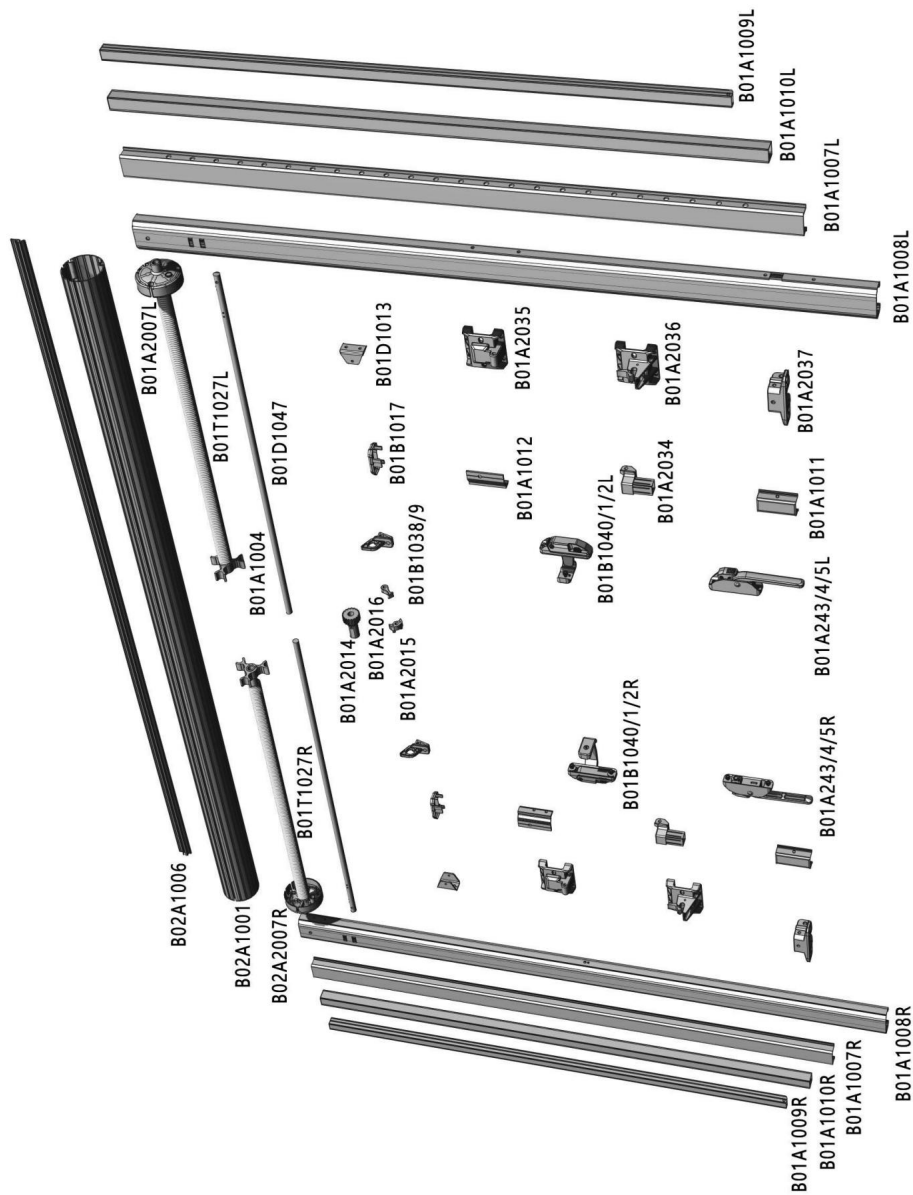
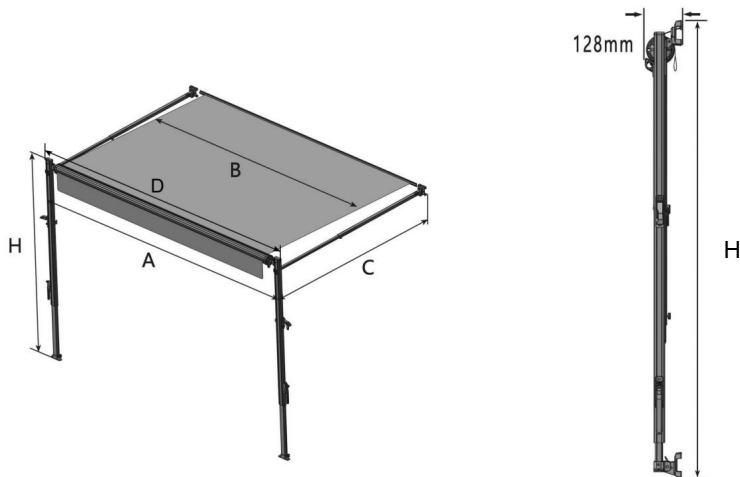


Figura G1

Tenda da sole per camper con srotolamento manuale B1



Tenda da sole Misurare	UN (mm)	B (mm)	C (mm)	D (mm)	H (mm)	Colore della tenda da sole (supporto)
14'	Numero di telefono: 4303 4013 2348 4373				1700	Nero
15'	Numero di telefono: 4608 4318 2348 4678				1700	Nero
16'	Numero di telefono: 4913 4623 2348 4983				1700	Nero
17'	5218 4928 2348 5288				1700	Nero
18'	5522 5232 2348 5592				1700	Nero
18'	5522 5232 2348 5592				1700	Bianco
20'	6132 5842 2348 6202				1700	Nero
20'	6132 5842 2348 6202				1700	Bianco



**Produttore:** Shanghaimuxinmuyeyouxiangongsi

**Indirizzo:** Shuangchenglu 803nong11hao1602A-1609shi, baoshanqu, shanghai 200000 CN.

**Importato in AUS:** SIHAO PTY LTD. 1 ROKEVA STREETEASTWOOD

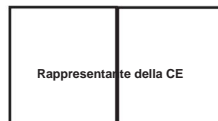
Nuovo Galles del Sud 2122 Australia

**Importato negli USA:** Sanven Technology Ltd. Suite 250, 9166 Anaheim Luogo, Rancho Cucamonga, CA 91730



CONSULENZA YH LIMITATA.

C/O YH Consulting Limited Ufficio 147,  
Centurion House, London Road,  
Staines-upon-Thames, Surrey, TW18 4AX



E-CrossStu GmbH

Mainzer Landstr.69,  
60329 Francoforte sul Meno.

# VEVOR®

**TOUGH TOOLS, HALF PRICE**

**Supporto tecnico e certificato di garanzia elettronica**

[www.vevor.com/support](http://www.vevor.com/support)

# VEVOR<sup>®</sup>

## TOUGH TOOLS, HALF PRICE

Soporte técnico y certificado de garantía electrónica [www.vevor.com/support](http://www.vevor.com/support)

### TOLDO RETRÁCTIL PARA RV

MODELO: B1

Seguimos comprometidos a brindarle herramientas a precios competitivos.

"Ahorre la mitad", "mitad de precio" o cualquier otra expresión similar que utilicemos solo representa una estimación del ahorro que podría obtener al comprar ciertas herramientas con nosotros en comparación con las principales marcas y no necesariamente significa que cubra todas las categorías de herramientas que ofrecemos. Le recordamos que, al realizar un pedido con nosotros, verifique cuidadosamente si realmente está ahorrando la mitad en comparación con las principales marcas.

**VEVOR**<sup>®</sup>  
TOUGH TOOLS, HALF PRICE

Toldo retráctil para RV

MODELO: B1



<Imagen solo como referencia>

¿NECESITA AYUDA? ¡CONTÁCTENOS!

¿Tiene preguntas sobre el producto? ¿Necesita asistencia técnica? No dude en ponerse en contacto con

nosotros: Asistencia técnica y certificado de garantía electrónica  
[www.vevor.com/support](http://www.vevor.com/support)

Estas son las instrucciones originales, lea atentamente todas las instrucciones del manual antes de utilizar el producto. VEVOR se reserva una interpretación clara de nuestro manual de usuario. La apariencia del producto estará sujeta al producto que recibió. Perdónenos por no informarle nuevamente si hay actualizaciones de tecnología o software en nuestro producto.

## MEDIDAS DE SEGURIDAD IMPORTANTES



**ADVERTENCIA:** Lea y comprenda todo este manual antes de operar o realizar el mantenimiento de este producto. El incumplimiento de estas advertencias y No seguir estas instrucciones puede causar lesiones personales o daños a bienes valiosos.

Lo mejor es completar el proceso de montaje del toldo con un asistente. Cuando esté en una escalera, tenga cuidado y sea cauteloso. La instalación y el desmontaje por dos personas es más seguro y fácil.

Consulte el manual del propietario de su vehículo recreativo. Evite que los niños utilicen el toldo; este producto no es un juguete, no lo use.

No permita que los niños jueguen. Manténgalo alejado de puntas afiladas, cuchillas y otros elementos. Manténgalo alejado de llamas abiertas. Este producto se encenderá y arderá si

Mantenga el área de instalación limpia y bien iluminada. Mantenga a las personas fuera del área durante el montaje. No instale cuando

casado o bajo la influencia del alcohol, drogas o medicamentos.

Las capacidades del producto se aplican a productos instalados de manera correcta y completa. productos

únicamente. Para obtener información adicional sobre las piezas enumeradas a continuación páginas, consulte el paquete de accesorios de este manual.

Desembale y separe todas las piezas en un área de trabajo limpia. Mantenga pequeñas

Mantener las piezas de repuesto fuera del alcance de los niños.

No use fuerza excesiva al ensamblar o almacenar el producto. Este producto DEBE ser instalado o reparado por un técnico calificado. técnico.

**PELIGRO DE IMPACTO O APLASTAMIENTO.** Este producto debe instalarse en un Entorno controlado. NO instale el producto en condiciones de viento.

condiciones climáticas adversas o cuando se espera viento. De lo contrario, el producto podría moverse de manera impredecible, volverse inestable y podría [desprenderse/doblarse/ colapsar].

## GUARDE ESTAS INSTRUCCIONES

Muchas gracias por elegir este toldo para RV. Lea todas las instrucciones.




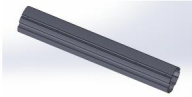

Instrucciones antes de usarlo. La información le ayudará a lograr el mejor resultado.




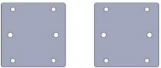




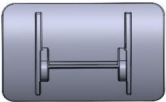


Posibles resultados.


### PARÁMETRO TÉCNICO

Nombre del producto	Toldo retráctil para RV
Modelo	B1
Material	Aluminio
Tela	<small>ALUMINIO DE POLIÉSTER</small>
Color	Blanco y negro
Vehículo adecuado	<small>Autocaravanas</small>

### LISTA DE PAQUETES

No.	Nombre	Imagen	CANTIDAD
1	Conjunto de rodillos (L)		1
2	Conjunto de rodillos (R)		1
3	Rodillo de extensión		1
4	Conectar tubería		2
5	Tela		1

6	Cordón de tela poliamida		3
7	cinturón de lazo		1
8	Componente de varilla de soporte		2
9	Placa de aluminio		2
10	Tirar de la varita		1
11	Clavo molido		4
12	Platina		1
13	Base de cuna central		1
14	Soporte de cuna central		1
15	Soporte de puerta		1
16	Tornillo A		24

17	Tornillo B		40
18	Tornillo C		24
19	Tornillo D		10

## INSTRUCCIONES DE MONTAJE

### Introducción

Para utilizar mejor el toldo, lea atentamente el manual del usuario antes de usarlo.

Conserve el manual del usuario en un lugar adecuado para futuras consultas.

Diagrama completo del toldo enrollable manual para RV B1

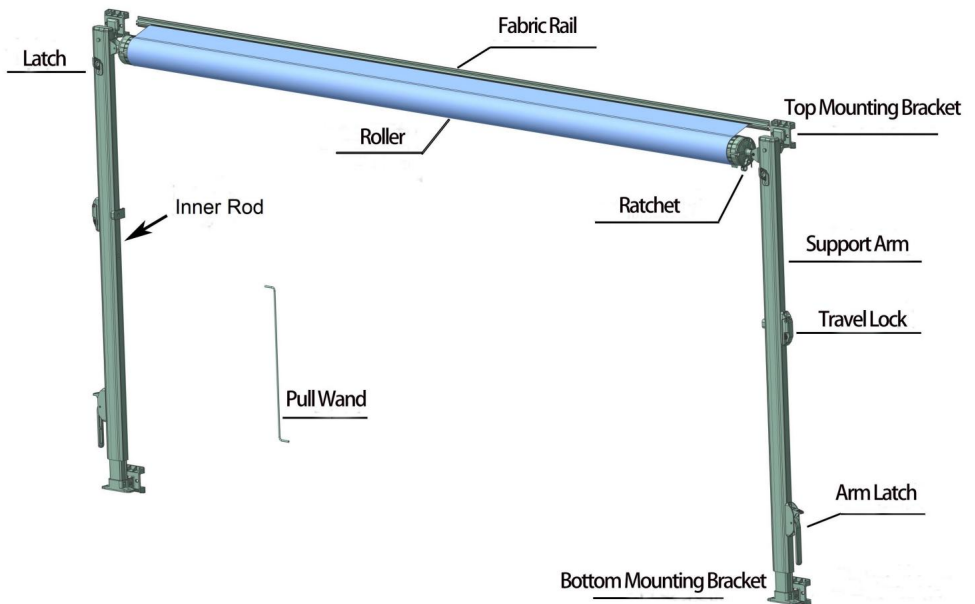


Figura C1

El toldo B1 se instala en el lateral del vehículo y se fija con tornillos superiores e inferiores.

Soportes de montaje inferiores (Figura C2). Precauciones y métodos de instalación son los siguientes:

1. El toldo debe ser instalado por 2 o más personas.
2. Antes de la instalación, verifique si hay nervaduras de refuerzo en la posición de la carrocería del vehículo que se utiliza para fijar el soporte de instalación y si hay obstáculos como agua, electricidad y otras líneas en la posición de perforación (Figura C3). O consulte con el concesionario del vehículo para obtener información relevante.

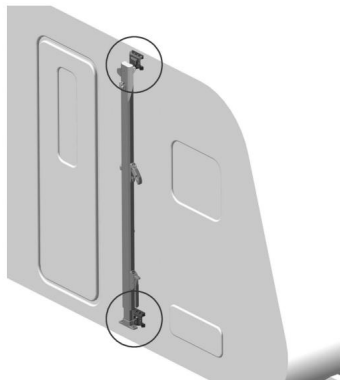


Figura C2

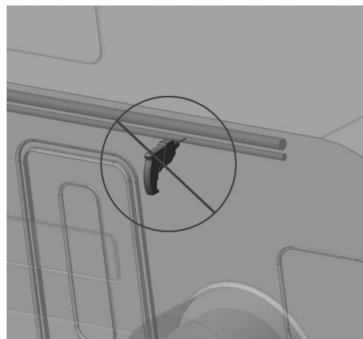


Figura C3

### 3. Método de instalación:

3.1 Saque el riel de tela y fíjelo en el exterior de la carrocería del vehículo con los tornillos B (Figura C4). El riel de tela debe instalarse horizontalmente y, de lo contrario, debe nivelarse (se debe proporcionar el bloque de amortiguación) (Figura C5). Si la carrocería del vehículo está preinstalada con una ranura de inserción de tela, se puede omitir este paso y colocar la tela.

No es necesario utilizar el riel.

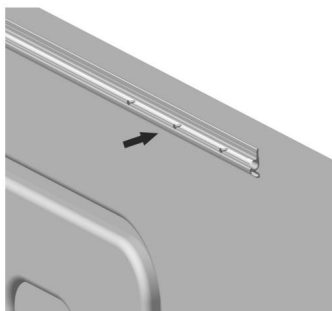


Figura C4

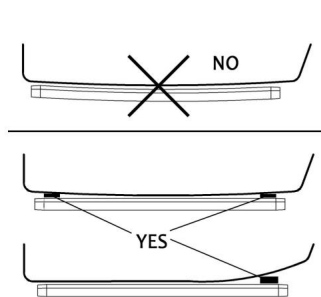


Figura C5

3.2 Tome el brazo de soporte, úselo para marcar la posición del orificio en una posición adecuada en el exterior del vehículo (Figura C6) y taladre un orificio de instalación de  $\Phi 5$  en la carrocería del vehículo (Figura C7).

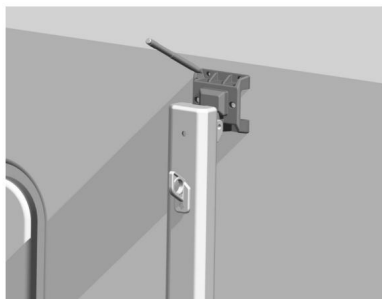


Figura C6



Figura C7

3.3 Retire los soportes inferiores de los brazos, colóquelos en la posición de instalación inferior con placas de aluminio, fíjelos con el tornillo C y el tornillo D (Figura C8). A continuación, ensamble el brazo al soporte, fije los soportes superiores también con el tornillo C y el tornillo D. Asegúrese de que los dos brazos estén a la misma altura. (Figura C9)

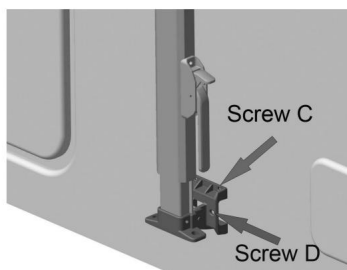


Figura C8

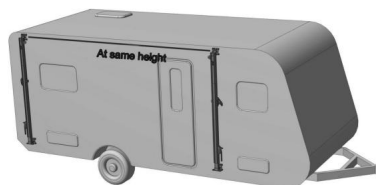


Figura C9

3.4 Extraiga los tubos de conexión de ambos extremos del tubo de bobinado central hasta la posición límite roja, ensamble los tubos de bobinado izquierdo y derecho y fíjelos con el tornillo A en la conexión. (Figura C10, Figura C11)

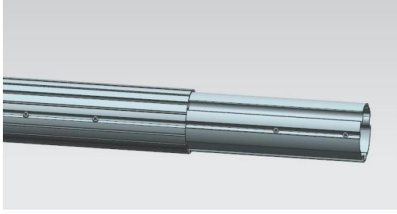


Figura C10

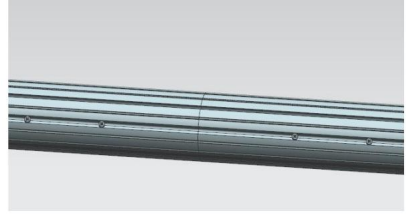


Figura C11

3.5 Abra la tela, inserte la tela en la ranura del tubo del rollo, luego inserte la extremo delantero de la tela en otra ranura del tubo del rollo y luego fije el tornillo B a Para evitar que la tela se mueva, inserte a continuación la tira de tela en la ranura. Última inserción la correa de lazo a la tira. (Figura C12, Figura C13, Figura C14, Figura C15)

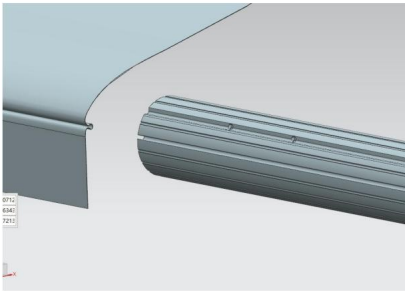


Figura C12

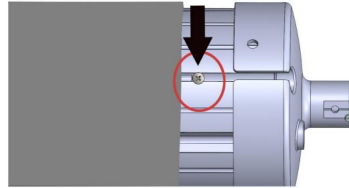


Figura C13

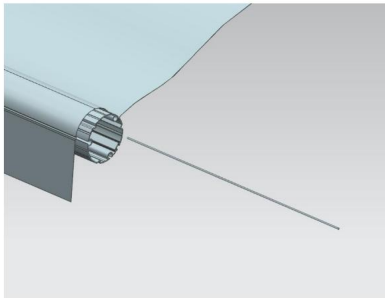


Figura C14

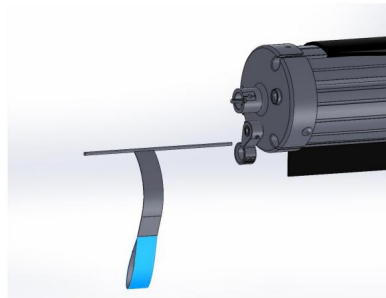


Figura C15

3.6 Envuelva la tela en la misma dirección sobre el tubo del rollo, dejando un círculo Sin tocar, y ensarte la tela en el riel de tela del vehículo (Figura C15), fije la orificio del eje en el extremo del rodillo hasta el soporte superior de la varilla de soporte (Figura C16).

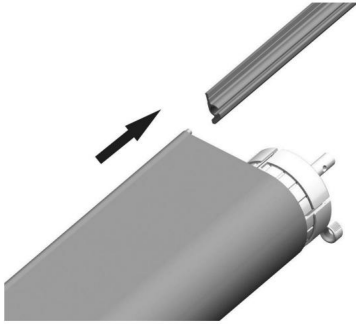


Figura C15

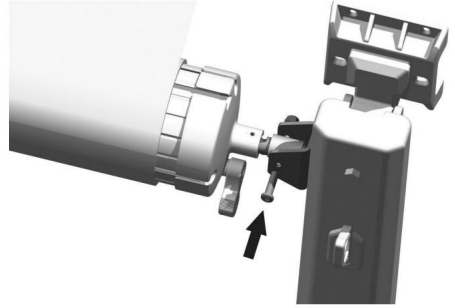


Figura C16

3.7 Retire los pasadores de seguridad de ambos lados de las tapas de los extremos del rodillo (Figura C17) para tensar el rollo de tela bajo tensión.

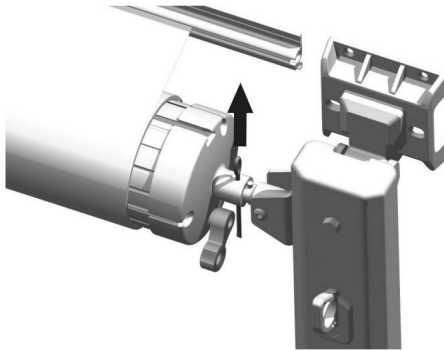


Figura C17

Atención: hay un resorte enrollable dentro del rollo, que se ha ajustado previamente con una fuerza ascendente. Asegúrese de fijar completamente todos los tornillos del rollo del toldo antes de quitar el pasador de seguridad, de lo contrario, podría causar lesiones accidentales.

3.8 Abra y cierre el toldo 2 o 3 veces para permitir que la tela y el mecanismo del toldo se ajusten naturalmente en su lugar (consulte el método de uso). Verifique que todos los tornillos estén fijados y que el toldo se pueda usar normalmente; luego, fije el tornillo B en ambos lados para evitar que la tela se mueva (Figura C18).

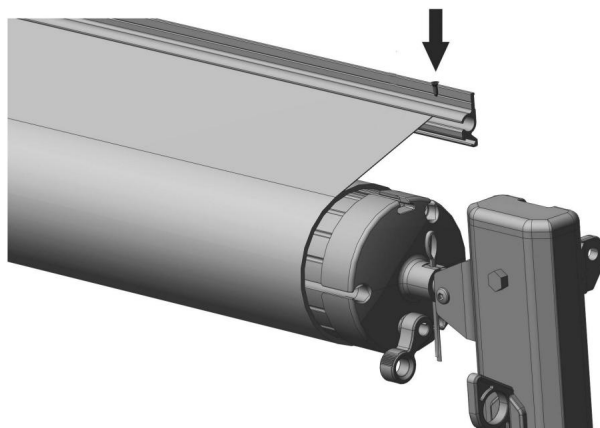


Figura C18

### 3.9 Instalación del soporte de

la puerta Busque la posición correcta para el soporte de la puerta, el soporte de la puerta debe ser 0,4 pulgadas más alto que la puerta, luego fije el soporte de la puerta con el tornillo B (Figura C19, Figura C20)

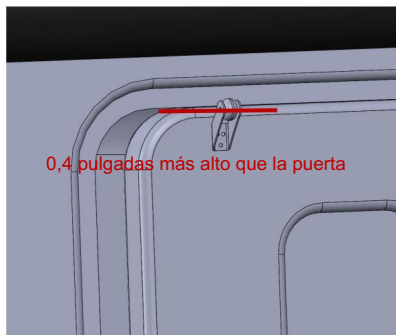


Figura C19

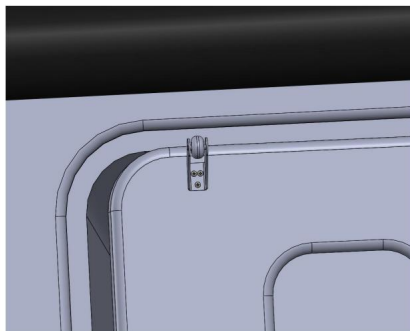


Figura C20

### 3.10 Instalación de la cuna central

Encuentre la posición correcta de la base central, coloque la base central debajo del rodillo, marque la posición con un marcador. Fije la base central con el tornillo C y luego inserte el perno en la base central. (Figura C21, Figura C22)

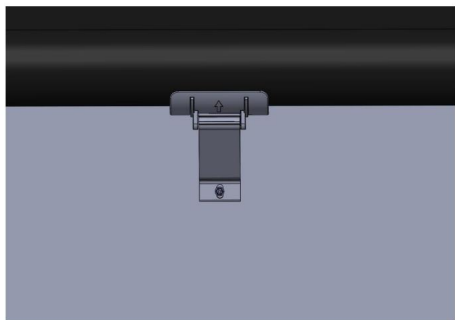


Figura C21

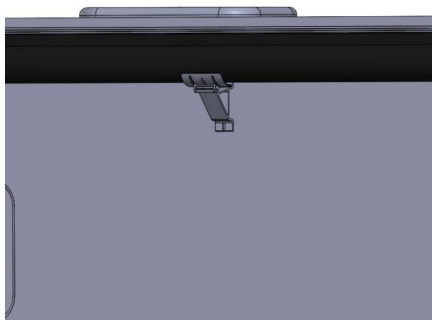


Figura C22

3.11 Instale el clip de almacenamiento para la varilla de la manija de tracción. Elija la posición adecuada para el clip de almacenamiento y fíjelo con el tornillo B (Figura C23)

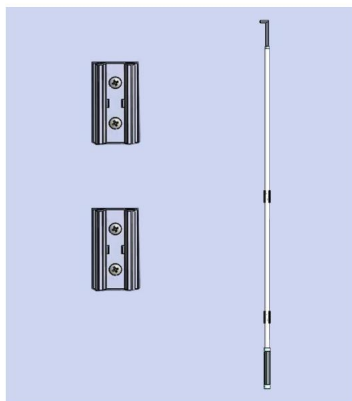


Figura C2



ESCANEE EL CÓDIGO THEOR PARA VER EL VIDEO DE INSTALACIÓN

## 4. Método de uso:

Una vez completada la instalación del toldo mencionada anteriormente, verifique la apariencia y asegúrese de que los tornillos de las piezas anteriores estén bien fijados.

### 4.1 Abrir el toldo

4.1.1 Abra el bloqueo de seguridad ubicado en el medio de las varillas de soporte en ambos lados (presione y tire, Figura D1) y afloje el tornillo de la barra de tensión (Figura D2).

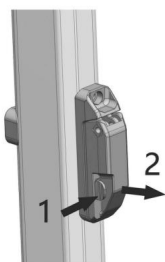


Figura D1

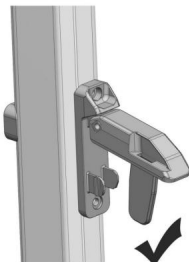


Figura D2



4.1.2 Enganche la palanca de trinquete en la cubierta del extremo del rodillo con la varilla de tracción, suavemente. Mueva la palanca de trinquete en la dirección de la flecha y cambie la dirección del trinquete a "abierto" (Figura D3).

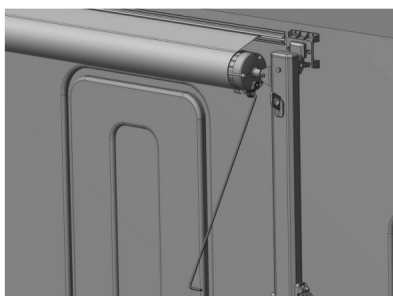


Figura D3

4.1.3 Inserte el codo de un lado de la varilla de tracción en el cinturón de seguridad del trinquete y tire del toldo hacia afuera hasta que esté completamente extendido. (Figura D4)

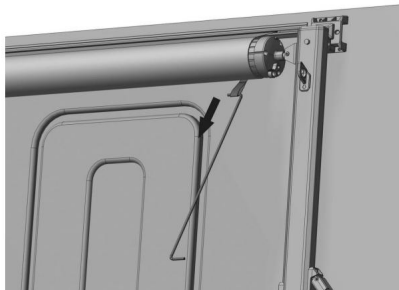


Figura D4

4.1.4 Empuje la varilla interior a lo largo de la varilla de soporte, deslícela y engánchela en la hebilla ubicada en la cabeza del brazo de soporte (Figura D5), luego apriete la perilla de bloqueo negra para fijar la varilla interior.

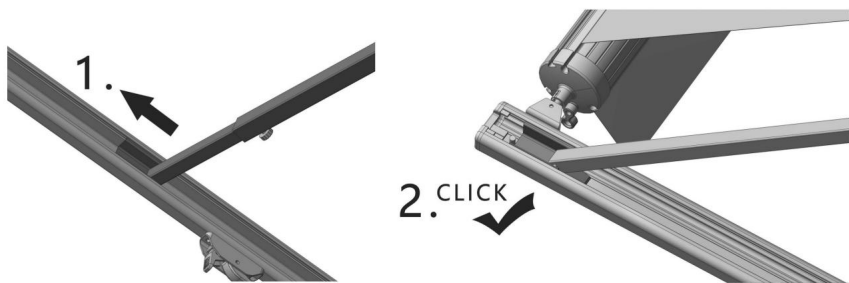


Figura D5

4.1.5 Existen dos tipos de soporte para el toldo, a saber, soporte de carrocería y soporte de suelo: 1)

Soporte

de carrocería del vehículo (Figura D6)

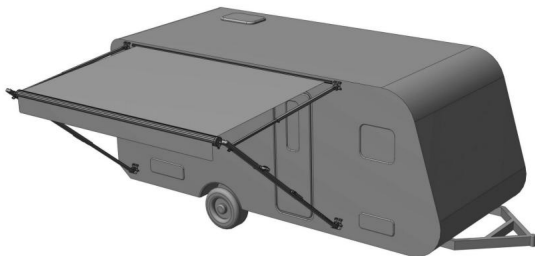


Figura D6

a. Levante el pestillo del brazo y presione hacia abajo el cabezal de bloqueo, luego deslícelo fuera del brazo de soporte hasta la altura adecuada (Figura D7) y suelte el cabezal de bloqueo para bloquear el soporte. brazo.

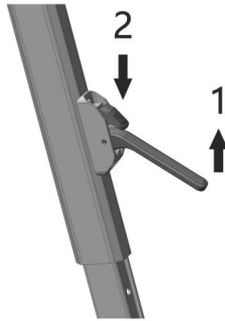


Figura D7

Atención: Cuando la varilla interior del brazo de soporte se desliza hasta la posición de advertencia roja, alcanza la altura máxima de soporte. Cuando se desliza completamente hacia afuera, la varilla interior puede caerse. b. Ajuste la varilla interior y tense la tela del toldo. El toldo se ha abierto. (Figura D8)

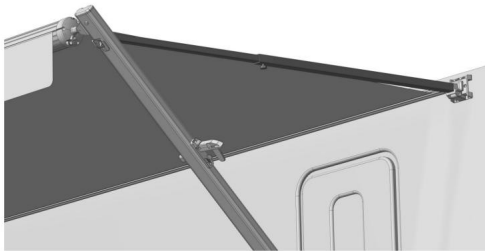


Figura D8

2) Apoyo terrestre (Figura D9)



Figura D9

a. Suelte el pestillo de los soportes de instalación inferiores y colóquelo verticalmente.

el suelo. (Figura D10)

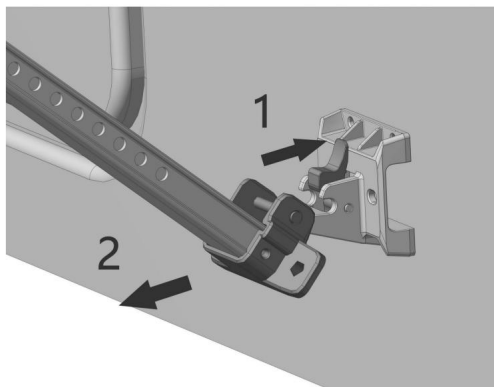


Figura D10

b. Afloje la perilla de bloqueo negra para extender el toldo al máximo y luego apriétela. c. Presione hacia abajo el pestillo del brazo y ajuste la varilla de soporte a la altura adecuada. El toldo se ha abierto. (Figura D11) Y puedes introducir el clavo de tierra en los soportes inferiores para que el toldo sea más estable.

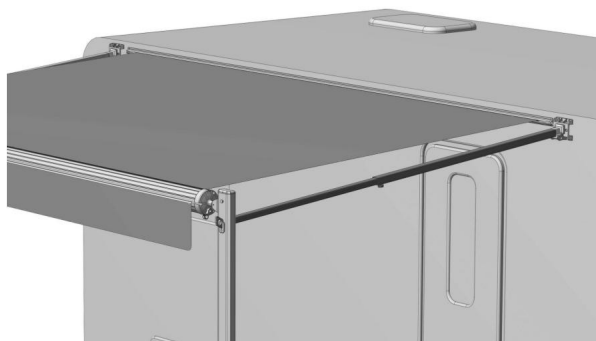


Figura D11

d. Utilice el clavo de tierra para hacer que el toldo sea más estable. (Figura D12)



Figura D12

## 4.2 Cierre del toldo

Cierre del soporte del suelo: (operación secuencial a partir de 4.2.1), cierre del soporte del vehículo (operación secuencial a partir de 4.2.2):

### 4.2.1 Recuperación del estado de soporte

del suelo Primero, gire la varilla de soporte hacia adentro y gírela hacia atrás, luego sujete el eje fijo en el pie del brazo de soporte en la ranura del soporte de instalación inferior y cámbielo al estado de soporte del vehículo. (Figura D13)

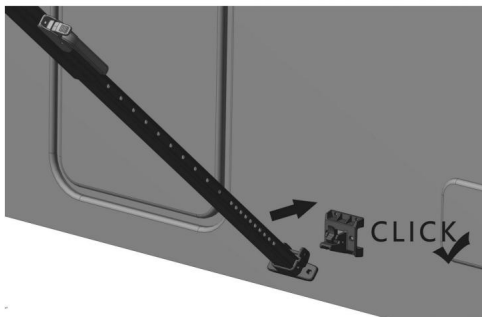


Figura D13

### 4.2.2 Recuperación del estado de soporte del vehículo

4.2.3 Levante el pestillo del brazo y presione hacia abajo el cabezal de bloqueo para retraer los brazos de soporte. Consulte la (Figura D14).

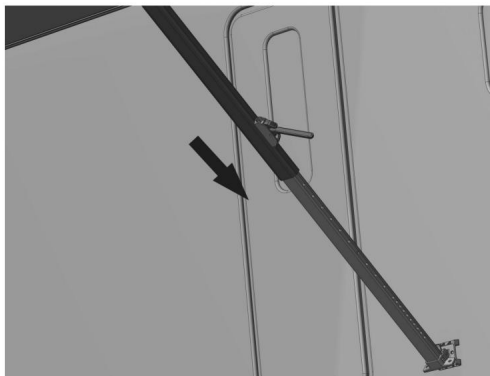


Figura D14

4.2.4 Tire del pestillo y empuje la varilla interior hacia atrás a lo largo del brazo de soporte. (Figura D15)

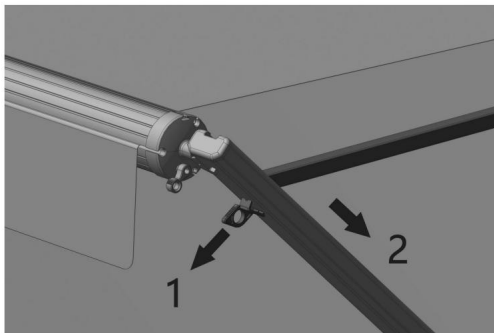


Figura D15

4.2.5 Sujete la correa de bucle y empuje suavemente la palanca de trinquete en la cubierta del extremo del rodillo en la dirección de la flecha con la mano, cambiando la dirección del trinquete a "apagado". (Figura D16)

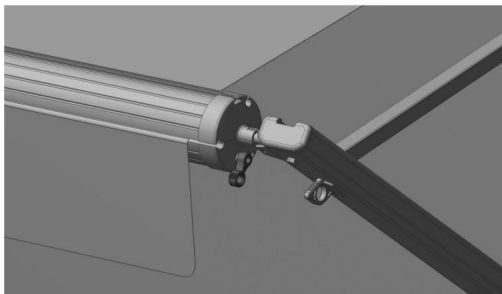


Figura D16

4.2.6 Suelte lentamente el carrito de reciclaje hasta que esté completamente retraído. (Al final, se puede utilizar el codo de un lado de la varilla de tracción para insertar la correa del rodillo para una operación auxiliar). (Figura D17)

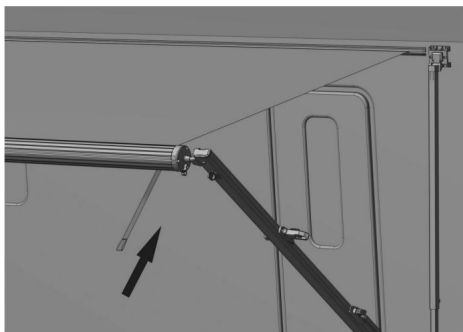


Figura D17

4.2.7 Presione hacia abajo el bloqueo de desplazamiento en el medio del brazo de soporte y apriete el tornillo de la varilla interior. El toldo se ha cerrado. (Figura D18)

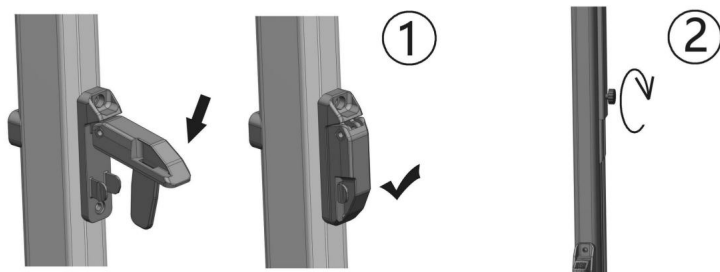


Figura D18

4.2.8 Recomendamos que el toldo se utilice únicamente para protegerse del sol. En caso de fuertes lluvias, nieve o viento, cierre el toldo para evitar daños. Si el toldo se utiliza con lluvia ligera, ajuste la longitud de la pata de apoyo e incline un lado del toldo para drenar el agua rápidamente. (Figura D19)

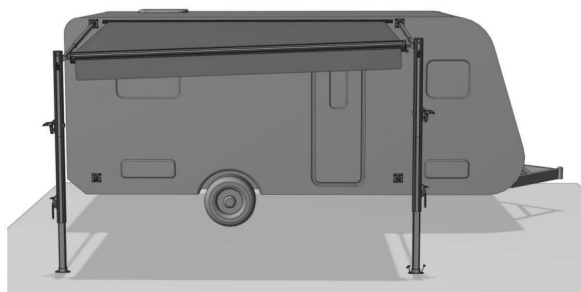


Figura D19



ESCANEE EL CÓDIGO O PARA VER EL VIDEO DE USO

## SOLUCIÓN DE PROBLEMAS

Todos los toldos se someten a pruebas y pruebas estrictas antes de salir de fábrica para lograr las mejores condiciones. Sin embargo, después de un período de uso, pueden aparecer algunas anomalías. Manipúelos de acuerdo con las siguientes situaciones.

1. Devanado débil del enrollador del toldo: verifique si el resorte de torsión del enrollador está liberando fuerza. El método de fuerza ascendente del resorte del enrollador es insertar un destornillador de 6 mm de diámetro en el orificio del eje de acero en el extremo del enrollador, girarlo de 10 a 13 veces en la dirección de fuerza ascendente indicada por la cubierta del extremo, luego insertar el pasador de seguridad e instalar el enrollador nuevamente en la varilla de soporte. (Figura E1)

Atención: la torsión del carrete puede provocar lesiones accidentales. Asegúrese de utilizar un imperdible y de utilizarlo con la premisa de garantizar la seguridad.

2. No se puede mover la palanca del trinquete: La palanca del trinquete está atascada dentro del trinquete. Debido al par del resorte, al girar la palanca de trinquete, puede tirar suavemente del carrete y de la correa antes de girar la palanca de trinquete. (Figura E2)



Figura E1

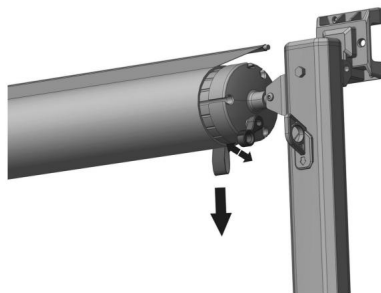


Figura E2

3. La tela de ambos lados del rollo está doblada de manera desigual y un lado no se puede tensar: verifique si la tela del toldo está dañada o deformada y reemplace la tela del parasol. Alternativamente, se puede aplicar una pegatina de ajuste del grosor adecuado en el borde del tubo enrollado del lado que no se puede tensar por completo (se debe proporcionar por separado) y se puede ajustar la cantidad del círculo de la lona para garantizar un ajuste uniforme en ambos lados. (Figura E3).

4. Dificultad para presionar el cabezal de la cerradura: agregue una cantidad adecuada de aceite lubricante al área del cabezal de la cerradura y la lengüeta.

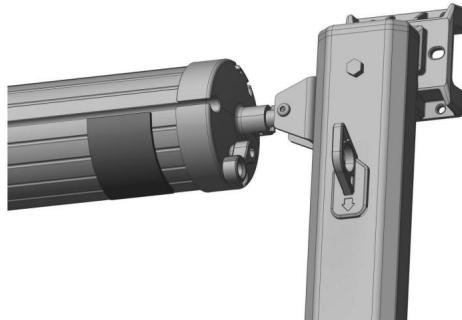


Figura E3

DIAGRAMA DE ESTRUCTURA DEL PRODUCTO

Algunos productos pueden tener ajustes y no aparecerán en el listado (Figura G1)

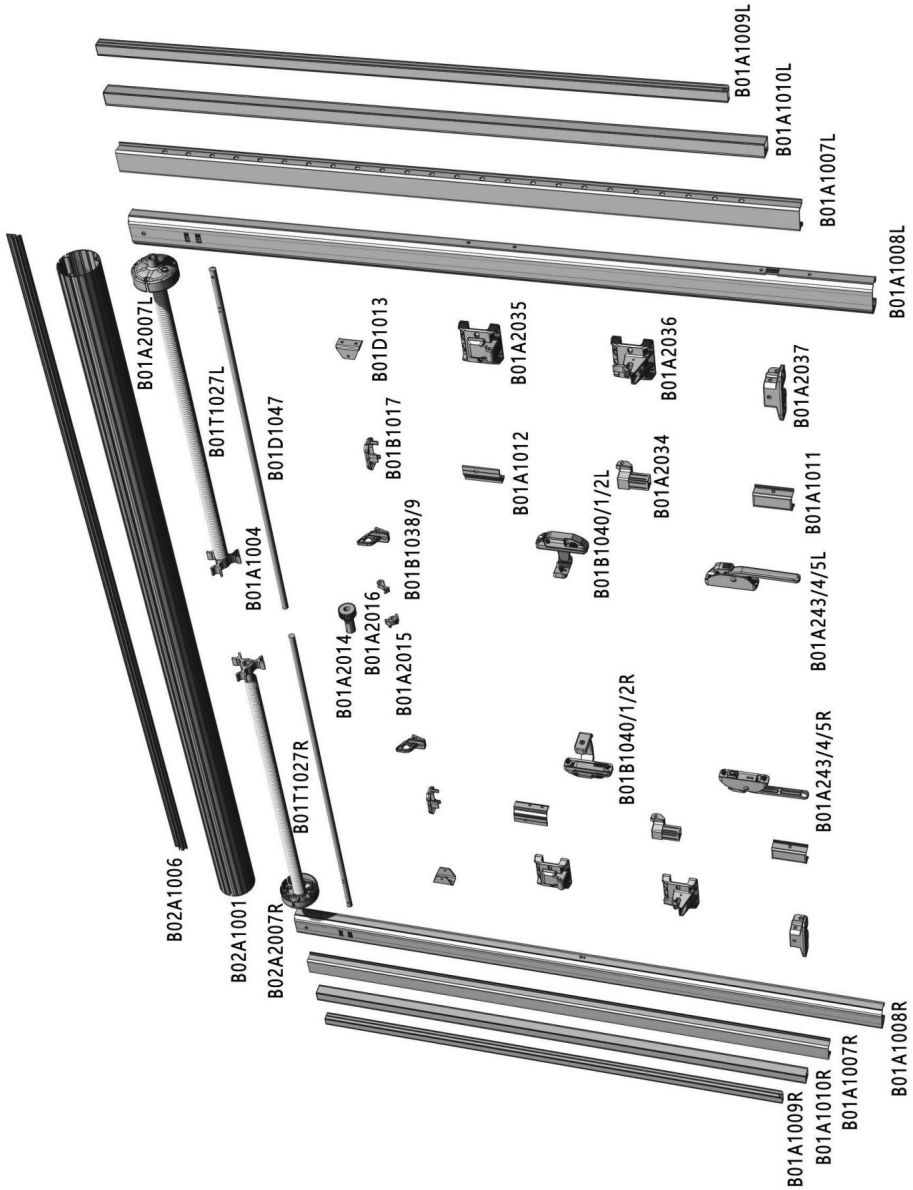
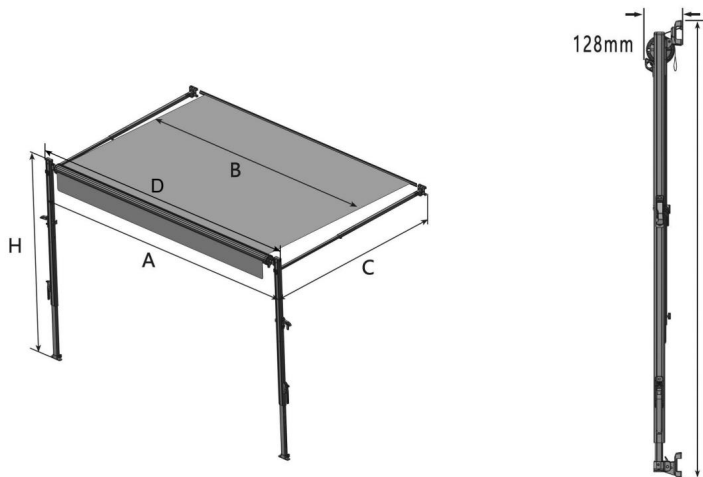


Figura G1  
Toldo enrollable manual para RV B1



Toldo Tamaño	A (mm)	B (mm)	do (mm)	D (mm)	yo (mm)	Color del toldo (apoyo)
14'	4303	4013	2348	4373	1700	Negro
15'	4608	4318	2348	4678	1700	Negro
16'	4913	4623	2348	4983	1700	Negro
17'	5218	4928	2348	5288	1700	Negro
18'	5522	5232	2348	5592	1700	Negro
18'	5522	5232	2348	5592	1700	Blanco
20'	6132	5842	2348	6202	1700	Negro
20'	6132	5842	2348	6202	1700	Blanco



Fabricante: Shanghaimuxinmuyeyouxiangongsi

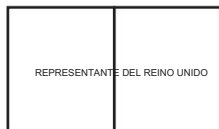
Dirección: Shuangchenglu 803nong11hao1602A-1609shi, baoshanqu, shanghai 200000 CN.

Importado a Australia: SIHAO PTY LTD. 1 ROKEVA STREETEASTWOOD

Nueva Gales del Sur 2122 Australia

Importado a EE. UU.: Sanven Technology Ltd. Suite 250, 9166 Anaheim

Lugar, Rancho Cucamonga, CA 91730

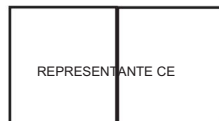


YH CONSULTING LIMITADA.

C/O YH Consulting Limited Oficina 147,

Centurion House, London Road,

Staines-upon-Thames, Surrey, TW18 4AX



E-CrossStu GmbH

Mainzer Landstr.69,

60329 Fráncfort del Meno.

# VEVOR®

**TOUGH TOOLS, HALF PRICE**

Soporte técnico y certificado de garantía electrónica

[www.vevor.com/support](http://www.vevor.com/support)

# VEVOR<sup>®</sup>

## TOUGH TOOLS, HALF PRICE

Wsparcie techniczne i certyfikat gwarancji elektronicznej [www.vevor.com/support](http://www.vevor.com/support)

### Rozkładana markiza do kampera

MODEL: B1

Nadal staramy się oferować Państwu narzędzia w konkurencyjnych cenach. „Oszczędź połowę”, „Połowa ceny” lub inne podobne wyrażenia używane przez nas stanowią jedynie szacunkowe oszczędności, jakie możesz uzyskać, kupując u nas określone narzędzia w porównaniu z głównymi markami i niekoniecznie oznaczają one objęcie wszystkich kategorii narzędzi oferowanych przez nas. Uprzejmie przypominamy, aby dokładnie sprawdzić, czy składając u nas zamówienie faktycznie oszczędzasz połowę w porównaniu z głównymi markami.

**VEVOR**<sup>®</sup>  
TOUGH TOOLS, HALF PRICE

Markiza chowana do kampera

MODEL: B1



<Zdjęcie tylko w celach informacyjnych>

POTRZEBUJESZ POMOCY? SKONTAKTUJ SIĘ Z NAMI!

Masz pytania dotyczące produktu? Potrzebujesz wsparcia technicznego? Skontaktuj się z nami:  
Wsparcie

techniczne i certyfikat E-Gwarancji [www.vevor.com/support](http://www.vevor.com/support)

To jest oryginalna instrukcja, przed użyciem należy uważnie przeczytać wszystkie instrukcje. VEVOR zastrzega sobie jasną interpretację naszej instrukcji obsługi. Wygląd produktu będzie zależał od produktu, który otrzymałeś. Prosimy o wybaczenie, że nie poinformujemy Cię ponownie, jeśli w naszym produkcie pojawią się jakiegokolwiek aktualizacje technologiczne lub oprogramowania.

## WAŻNE ZABEZPIECZENIA



**OSTRZEŻENIE:** Przed rozpoczęciem użytkowania należy przeczytać i zrozumieć całą instrukcję.

lub serwisowania tego produktu. Nieprzestrzeganie tych ostrzeżeń i

Nieprzestrzeganie tych instrukcji może spowodować obrażenia ciała lub uszkodzenie cennego mienia.

Najlepiej jest zakończyć proces montażu markizy za pomocą

asystent. Będąc na drabinie, zachowaj ostrożność i rozwagę. Montaż i demontaż przez dwie osoby jest bezpieczniejszy i łatwiejszy.

zapoznaj się z instrukcją obsługi pojazdu

rekreacyjnego. Nie pozwalaj dzieciom korzystać z markizy. Produkt nie jest zabawką, dlatego nie pozwalać dzieciom na

zabawę. Trzymać z dala od ostrych punktów, ostrzy i innych przedmiotów.

Trzymać z dala od otwartego ognia. Ten produkt zapali się i spali, jeśli

zestkniecia z otwartym płomieniem. Utrzymuj

miejsce instalacji w czystości i dobrze oświetlone. Nie

dopuszczaj osób postronnych do miejsca instalacji podczas montażu. Nie instaluj, gdy

zmęczony lub pod wpływem alkoholu, narkotyków lub leków.

Możliwości produktu dotyczą prawidłowego i kompletnego montażu

tylko produkty.

Aby uzyskać dodatkowe informacje dotyczące części wymienionych poniżej,

Więcej informacji znajdziesz na opakowaniu z akcesoriami w niniejszej instrukcji.

Rozpakuj i oddziel wszystkie części w czystym miejscu pracy. Proszę zachować małe

Części zamienne należy przechowywać w miejscu niedostępnym dla dzieci.

Nie należy stosować nadmiernej siły podczas montażu lub przechowywania produktu.

Produkt MUSI być instalowany/serwisowany przez wykwalifikowany personel. technik.

**RYZYKO UDERZENIA LUB ZGNIECENIA.** Ten produkt należy zainstalować w

kontrolowanym środowisku. NIE instaluj produktu w wietrzne dni.

w warunkach lub gdy spodziewany jest wiatr. W przeciwnym razie produkt może

poruszać się nieprzewidywalnie, stać się niestabilnym i może [odłączyć się/zgiąć/zawalić się].




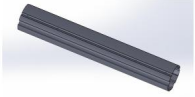

## ZAPISZ TE INSTRUKCJE




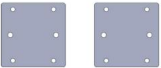




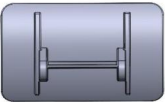


Dziękujemy bardzo za wybranie markizy RV. Przeczytaj wszystkie instrukcje przed użyciem. Informacje te pomogą Ci osiągnąć najlepsze możliwe wyniki.




### PARAMETRY TECHNICZNE

Nazwa produktu	Markiza chowana do kampera
Model	B1
Tworzywo	Aluminium
Tkanina	PCV
Kolor	Biało-czarny
Odpowiedni pojazd	Kampery

### LISTA PAKIETÓW

NIE.	Nazwa	Zdjęcie	ILOŚĆ
1	Zespół rolek (L)		1
2	Zespół rolek (R)		1
3	Walek przedłużający		1
4	Podłącz rurę		2
5	Tkanina		1

6	Sznurek z tkaniny		3
7	pas pętlowy		1
8	Komponent pręta podporowego		2
9	Płyta aluminiowa		2
10	Pociągnij różdżkę		1
11	Gwóźdź szlifowany		4
12	Płyta dociskowa		1
13	Podstawa centralnej kołyski		1
14	Podpora centralna kołyski		1
15	Podpora drzwi		1
16	Śruba A		24

17	Śruba B		40
18	Śruba C		24
19	Śruba D		10

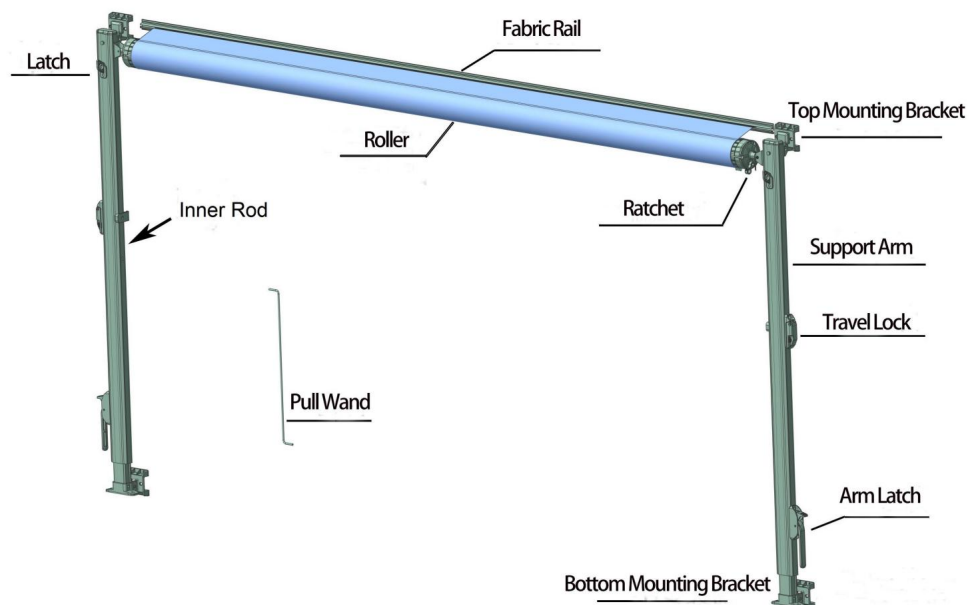
## INSTRUKCJA MONTAŻU

### Wstęp

Aby w pełni wykorzystać możliwości markizy, przed jej użyciem należy uważnie przeczytać instrukcję obsługi.

Prosimy o zachowanie instrukcji obsługi w celu późniejszego wykorzystania.

B1 Ręczny, rozwijany markiza do kampera Pełny schemat



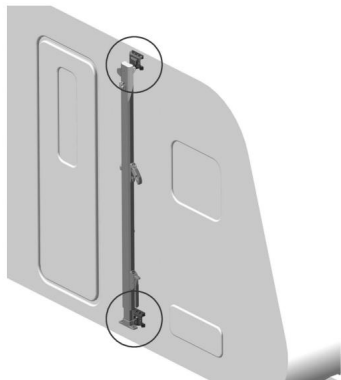
Rysunek C1

Markiza B1 montowana jest z boku pojazdu i mocowana za pomocą uchwytów górnych i dolnych.

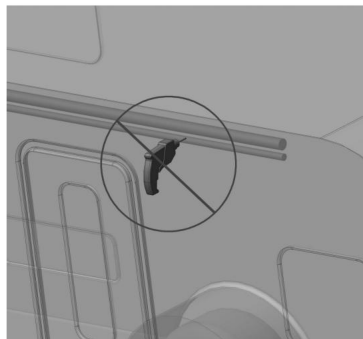
dolne wsporniki montażowe (Rysunek C2). Środki ostrożności i metody instalacji

są następujące:

1. Markizę muszą montować co najmniej 2 osoby.
2. Przed montażem sprawdź, czy w miejscu nadwozia pojazdu, w którym mocuje się wspornik montażowy, znajdują się żebra wzmacniające oraz czy w miejscu wiercenia nie ma przeszkód, takich jak woda, prąd i inne linie (rysunek C3). Możesz również skontaktować się ze sprzedawcą pojazdu, aby uzyskać odpowiednie informacje.



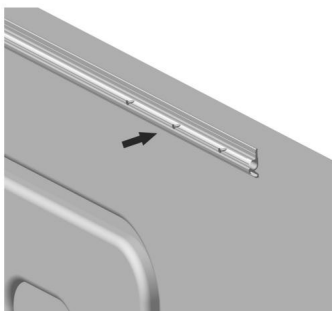
Rysunek C2



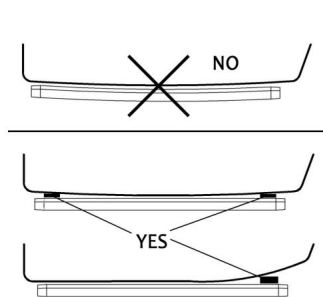
Rysunek C3

### 3. Metoda instalacji:

3.1 Wyjmij szynę materiałową i przymocuj ją na zewnątrz nadwozia pojazdu za pomocą śrub B (rysunek C4). Szynę materiałową należy zainstalować poziomo, a jeśli nie, należy ją wypoziomować (powinien być dostarczony blok amortyzujący) (rysunek C5). Jeśli nadwozie pojazdu jest wstępnie wyposażone w szczelinę do wkładania materiału, ten krok można pominąć, a materiał nie ma potrzeby korzystania z kolei.

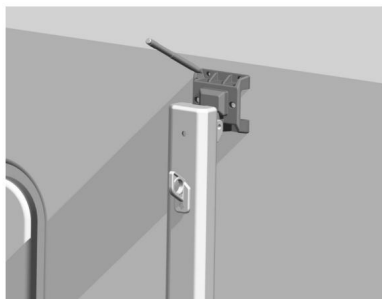


Rysunek C4

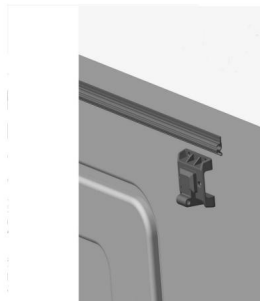


Rysunek C5

3.2 Weź ramię podporowe, zaznacz za jego pomocą położenie otworu w odpowiednim miejscu na zewnątrz pojazdu (rysunek C6) i wywierć otwór montażowy  $\Phi 5$  w nadwoziu pojazdu (rysunek C7).

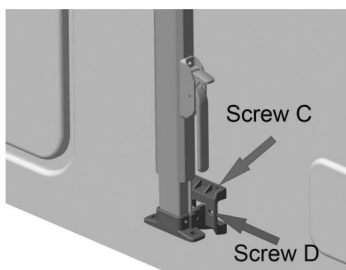


Rysunek C6

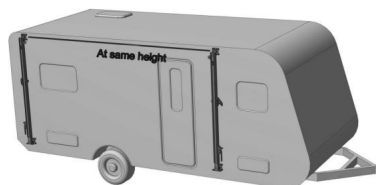


Rysunek C7

3.3 Zdejmij dolne wsporniki z ramion, umieść je w dolnej pozycji montażowej za pomocą aluminiowych płyt, przymocuj je śrubą C i śrubą D (rysunek C8). Następnie zamontuj ramię do wspornika, przymocuj górne wsporniki również śrubą C i śrubą D. Upewnij się, że oba ramiona są na tej samej wysokości. (rysunek C9)

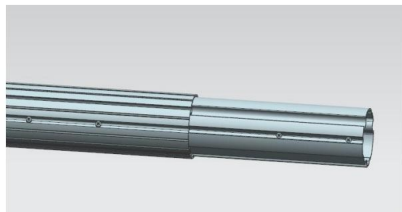


Rysunek C8

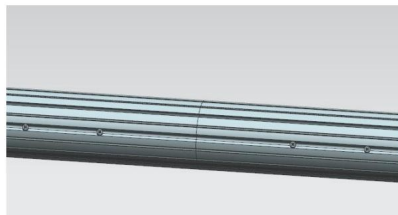


Rysunek C9

3.4 Wyciągnij rurki łączące na obu końcach środkowej rurki nawojowej do czerwonej pozycji granicznej, złożź lewą i prawą rurkę nawojową i przymocuj je śrubą A w miejscu połączenia. (Rysunek C10, Rysunek C11)

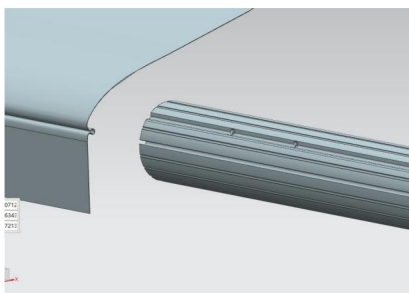


Rysunek C10

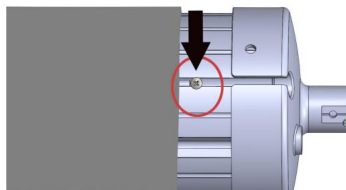


Rysunek C11

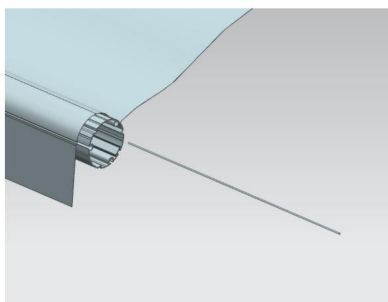
3.5 Otwórz tkaninę, włóż tkaninę do szczeliny rury rolki, a następnie włóż przedni koniec tkaniny włożyć do innego gniazda w rurze rolki, a następnie zamocować śrubę B aby zapobiec przesuwaniu się tkaniny, następnie włóż pasek tkaniny do szczeliny. Ostatnie włożenie pas pętlowy do paska. (Rysunek C12, Rysunek C13, Rysunek C14, Rysunek C15)



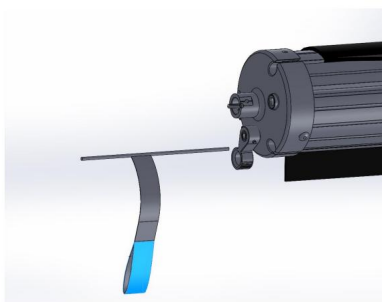
Rysunek C12



Rysunek C13

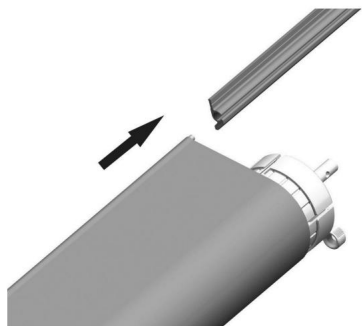


Rysunek C14

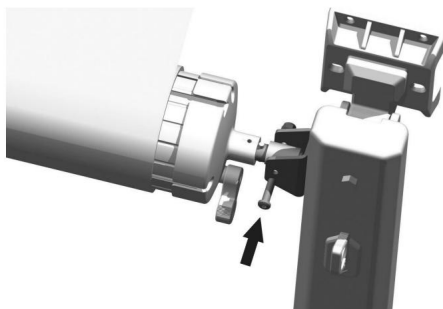


Rysunek C15

3.6 Nawinię tkaninę na rurkę rolki w tym samym kierunku, pozostawiając jedno koło nienaruszone, a następnie przewlec tkaninę przez szynę materiałową pojazdu (rysunek C15), zamocuj otwór wału na końcu rolki do górnego wspornika pręta podporowego (rysunek C16).

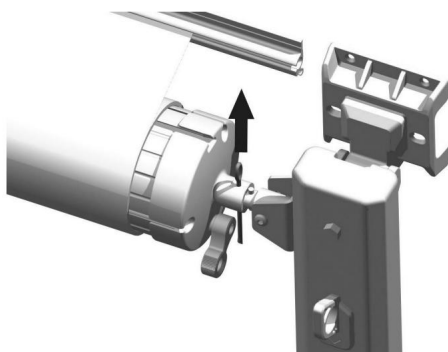


Rysunek C15



Rysunek C16

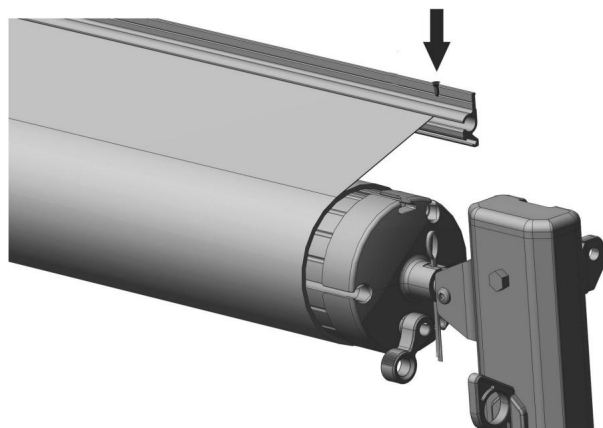
3.7 Wyjmij szpilki zabezpieczające po obu stronach zaślepek wálka (rysunek C17), aby naprężyć rolkę materiału pod naprężeniem.



Rysunek C17

※ Uwaga: Wewnątrz zwoju znajduje się sprężyna nawijająca, która została wstępnie ustawiona na siłę skierowaną do góry. Przed wyjęciem szpilki zabezpieczającej upewnij się, że wszystkie śruby rolety markizy są całkowicie dokręcone, w przeciwnym razie może to spowodować przypadkowe obrażenia!

3.8 Otwórz i zamknij markizę 2-3 razy, aby tkanina markizy i mechanizm mogły naturalnie dopasować się do miejsca. (Zobacz metodę użytkowania). Sprawdź, czy wszystkie śruby są zamocowane i czy markiza może być używana normalnie, a następnie przykręć śrubę B po obu stronach, aby zapobiec przesuwaniu się tkaniny. (Rysunek C18)



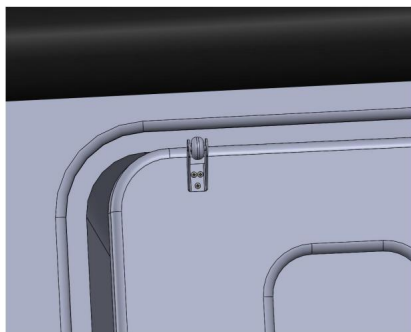
Rysunek C18

### 3.9 Montaż podpory drzwi

Znajdź właściwą pozycję podpory drzwi, podpora drzwi musi być wyższa o 0,4 cala od drzwi, a następnie zamocuj podporę drzwi za pomocą śruby B (rysunek C19, rysunek C20)



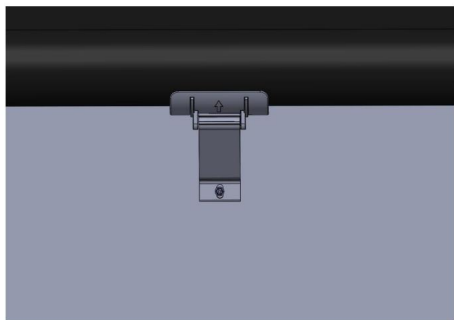
Rysunek C19



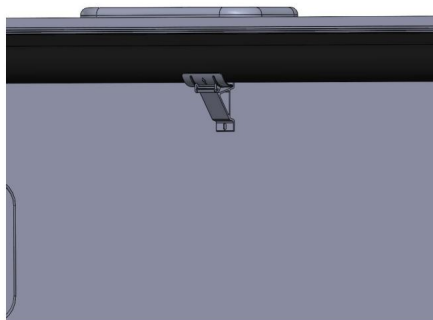
Rysunek C20

### 3.10 Montaż kołyski środkowej

Znajdź właściwą pozycję kołyski środkowej, umieść kołyskę środkową pod rolką, zaznacz pozycję markerem. Zamocuj kołyskę środkową za pomocą śruby C, a następnie włóż śrubę do kołyski środkowej. (Rysunek C21, Rysunek C22)



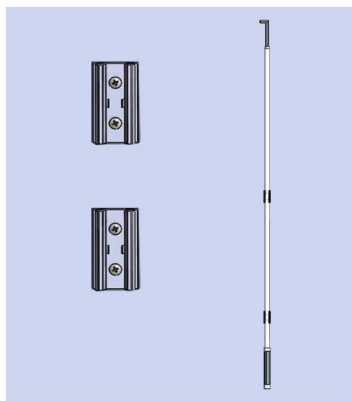
Rysunek C21



Rysunek C22

### 3.11 Montaż klipsa mocującego do drążka uchwytu

Wybierz odpowiednie miejsce dla klipsa mocującego i zamocuj go za pomocą śruby B (rysunek C23)



Rysunek C2



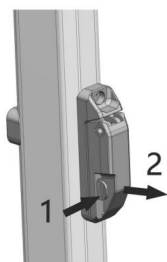
ZESKANUJ KOD TEOR, ABY OBEJRZEĆ FILM INSTALACYJNY

## 4. Sposób użycia:

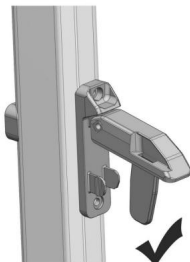
Po zakończeniu montażu markizy należy sprawdzić jej wygląd i upewnić się, że śruby w powyższych częściach są solidnie dokręcone.

### 4.1 Otwórz markizę

4.1.1 Otwórz blokadę bezpieczeństwa znajdującą się pośrodku prętów podporowych po obu stronach (naciśnij i pociągnij, Rysunek D1) i poluzuj śrubę drążka napinającego (Rysunek D2).

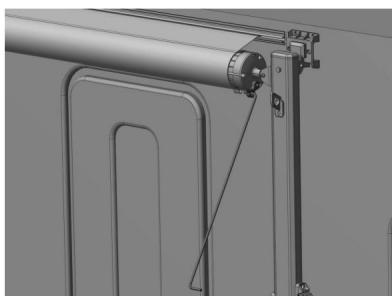


Rysunek D1



Rysunek D2

4.1.2 Zaczep dźwignię zapadkową o pokrywę końcową wałka za pomocą pręta pociągowego, delikatnie przesun dźwignię zapadki w kierunku wskazanym strzałką i zmień kierunek zapadki na „otwarte” (rysunek D3).



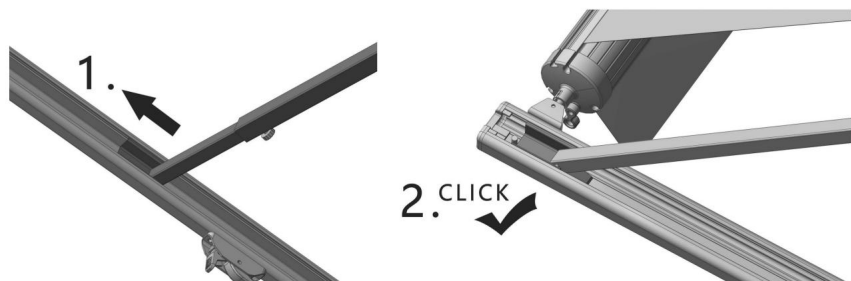
Rysunek D3

4.1.3 Włóż łokieć z jednej strony drążka do paska zapadki i pociągnij markizę na zewnątrz, aż zostanie całkowicie rozłożona. (Rysunek D4)



Rysunek D4

4.1.4 Wypchnij wewnętrzny pręt wzdłuż pręta podporowego, przesun go i zapnij w klamrze znajdującej się na górze ramienia podporowego (rysunek D5), a następnie dokręć czarne pokrętło blokujące, aby zamocować wewnętrzny pręt.

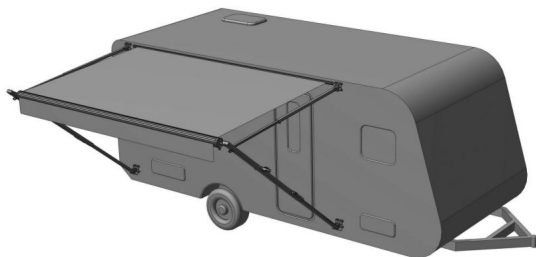


Rysunek D5

4.1.5 Istnieją dwa rodzaje podparcia markizy, a mianowicie podparcie nadwozia i podparcie podłoża: 1)

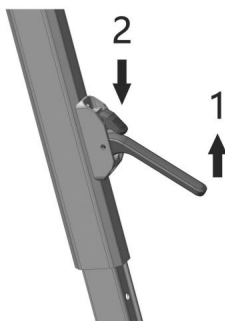
Podparcie

nadwozia pojazdu (rysunek D6)



Rysunek D6

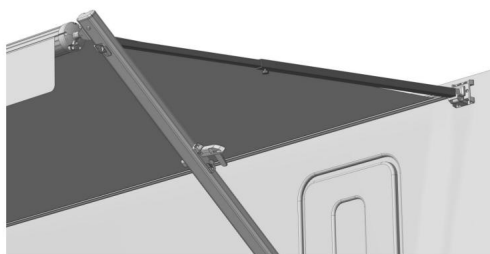
a. Podnieś zatrzask ramienia i naciśnij głowicę blokującą, a następnie wysuń ramię podporowe na odpowiednią wysokość (rysunek D7) i zwolnij głowicę blokującą, aby zablokować podporę. ramię.



Rysunek D7

※ Uwaga: Gdy wewnętrzny pręt ramienia podporowego przesunie się do czerwonej pozycji ostrzegawczej, osiągnie maksymalną wysokość podparcia. Gdy wysunie się całkowicie, wewnętrzny pręt może spaść. b.

Dokładnie wyreguluj wewnętrzny pręt i napnij tkaninę markizy. Markiza została otwarta. (Rysunek D8)



Rysunek D8

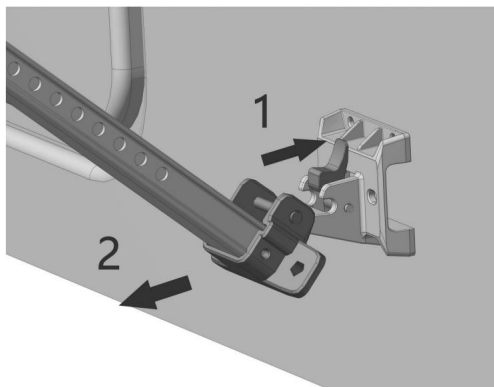
2) Wsparcie naziemne (rysunek D9)



Rysunek D9

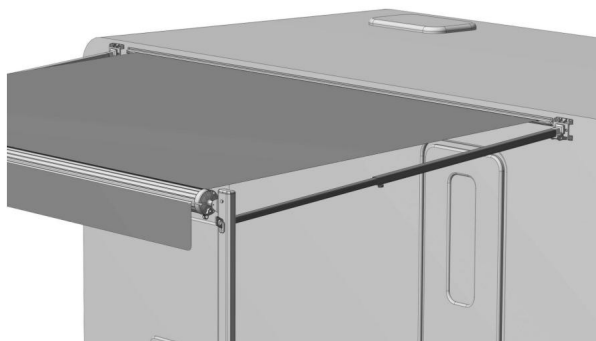
a. Zwolnij dolny zatrzask wspornika montażowego i umieść go pionowo

ziemia. (Rysunek D10)



Rysunek D10

b. Odkręć czarne pokrętko blokady, aby maksymalnie rozciągnąć markizę, a następnie dokręć je. c. Naciśnij zatrzask ramienia i ustaw pręt podporowy na odpowiednią wysokość. Markiza została otwarta. (Rysunek D11). Możesz wbić gwóźdź w ziemię w dolne wsporniki, aby uczynić markizę bardziej stabilną.



Rysunek D11

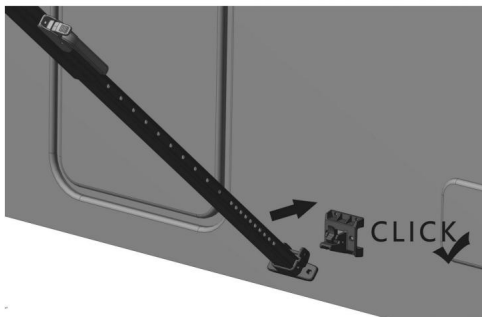
d. Użyj gwoźdźcia mocującego, aby zwiększyć stabilność markizy. (Rysunek D12)



Rysunek D12

## 4.2 Zamykanie markizy

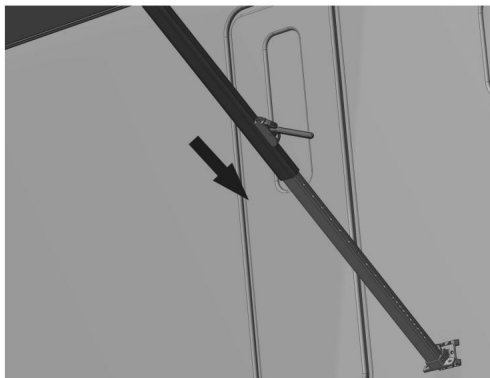
Podpora naziemna Zamykanie: (czynności sekwencyjne zaczynające się od 4.2.1), zamykanie podpory pojazdu (czynności sekwencyjne zaczynające się od 4.2.2): 4.2.1 Przywracanie stanu podpory naziemnej Najpierw obróć pręt podpory do wewnątrz i odchyl go do tyłu, następnie zaciśnij stały wał u podstawy ramienia podpory w szczeliny dolnego wspornika montażowego i przełącz go do stanu podpory pojazdu. (Rysunek D13)



Rysunek D13

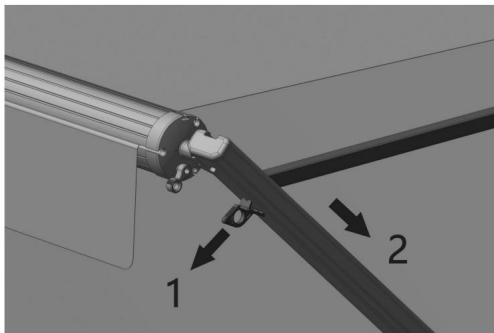
### 4.2.2 Odzyskiwanie statusu podparcia pojazdu 4.2.3

Podnieś zatrzask ramienia i naciśnij głowicę blokady, aby schować ramiona podporowe. Zobacz (rysunek D14)



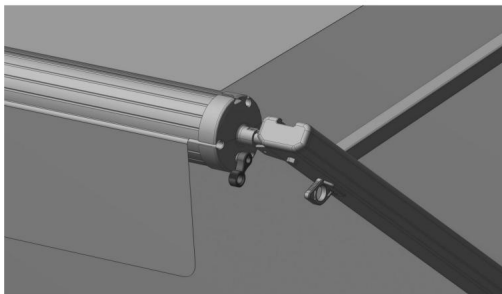
Rysunek D14

4.2.4 Pociągnij za zatrzask i przesunij wewnętrzny pręt z powrotem wzdłuż ramienia podporowego. (Rysunek D15)



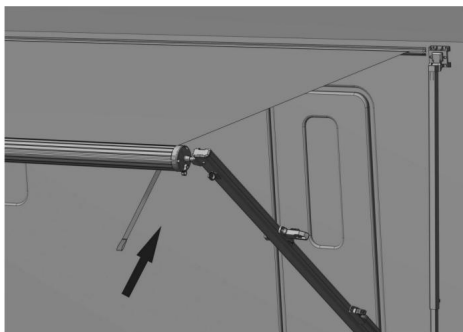
Rysunek D15

4.2.5 Przytrzymaj pas pętlowy i delikatnie naciśnij dźwignię zapadki na pokrywie końcowej rolki w kierunku strzałki ręką, zmieniając kierunek zapadki na „wyłączony”. (Rysunek D16)



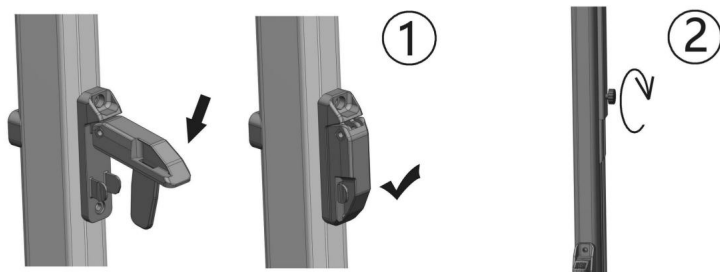
Rysunek D16

4.2.6 Powoli zwalnij szpulę recyklingową, aż zostanie całkowicie schowana. (Na końcu łokieć po jednej stronie drążka naciągowego można wykorzystać do włożenia paska rolkowego w celu wykonania operacji pomocniczej). (Rysunek D17)



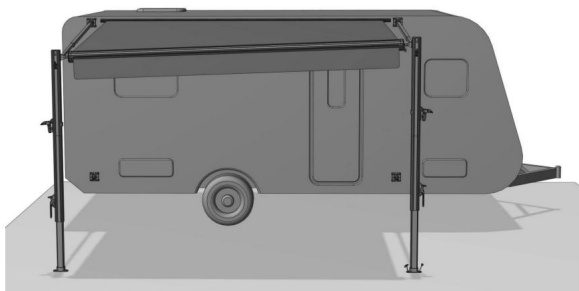
Rysunek D17

4.2.7 Naciśnij blokadę podróżną na środku ramienia podporowego i dokręć śrubę wewnętrznego pręta. Markiza została zamknięta. (Rysunek D18)



Rysunek D18

4.2.8 Zalecamy używanie markizy wyłącznie w celu ochrony przed słońcem. W przypadku silnego deszczu, śniegu i wiatru, prosimy zamknąć markizę, aby zapobiec jej uszkodzeniu. Jeśli markiza jest używana w lekkim deszczu, należy dostosować długość nogi podporowej i przechylić jedną stronę markizy, aby szybko odprowadzić wodę. (Rysunek D19)



Rysunek D19



ZESKANUJ KOD LUB, ABY OBEJRZEĆ FILM O UŻYTKOWANIU

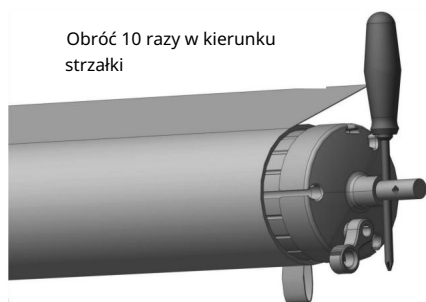
## ROZWIĄZYWANIE PROBLEMÓW

Każda markiza jest dokładnie sprawdzana i testowana przed opuszczeniem fabryki, aby osiągnąć najlepszy stan. Jednak po pewnym okresie użytkowania mogą wystąpić pewne nieprawidłowości. Prosimy postępować zgodnie z poniższymi sytuacjami.

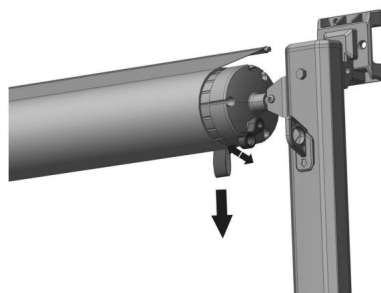
1. Słabe nawijanie zwoju markizy: Sprawdź, czy sprężyna skrętna zwoju zwalnia siłę. Metoda siły skierowanej w górę sprężyny zwoju polega na włożeniu śrubokręta o średnicy 6 mm do otworu wału stalowego na końcu zwoju, obróceniu go 10-13 razy w kierunku siły skierowanej w górę wskazanym przez pokrywę końcową, a następnie włożeniu kołka zabezpieczającego i zamontowaniu zwoju z powrotem w przecie podporowym. (Rysunek E1)

Uwaga: Skręcanie szpuli może spowodować przypadkowe obrażenia. Upewnij się, że używasz szpilki zabezpieczającej i korzystaj z niej w celu zapewnienia bezpieczeństwa.

2. Nie można poruszyć dźwignią zapadki: Dźwignia zapadki utknęła wewnątrz zapadki ze względu na moment obrotowy sprężyny. Podczas obracania dźwigni zapadki możesz delikatnie pociągnąć za szpulę i pociągnąć za pasek przed obróceniem dźwigni zapadki. (Rysunek E2)



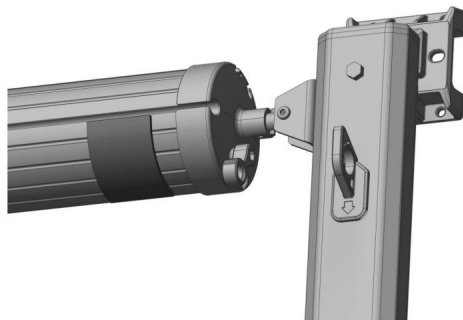
Rysunek E1



Rysunek E2

3. Tkanina po obu stronach zwoju jest nierównomiernie złożona i jednej strony nie można naciągnąć: sprawdź, czy tkanina markizy nie jest uszkodzona lub zdeformowana i wymień tkaninę osłony przeciwsłonecznej. Alternatywnie, można nakleić naklejkę regulacyjną o odpowiedniej grubości na krawędź zwiniętej rury po stronie, której nie można całkowicie naciągnąć (należy ją dostarczyć osobno), a wielkość okręgu plandeki można dokładnie wyregulować, aby zapewnić równomierne naciągnięcie po obu stronach. (Rysunek E3).

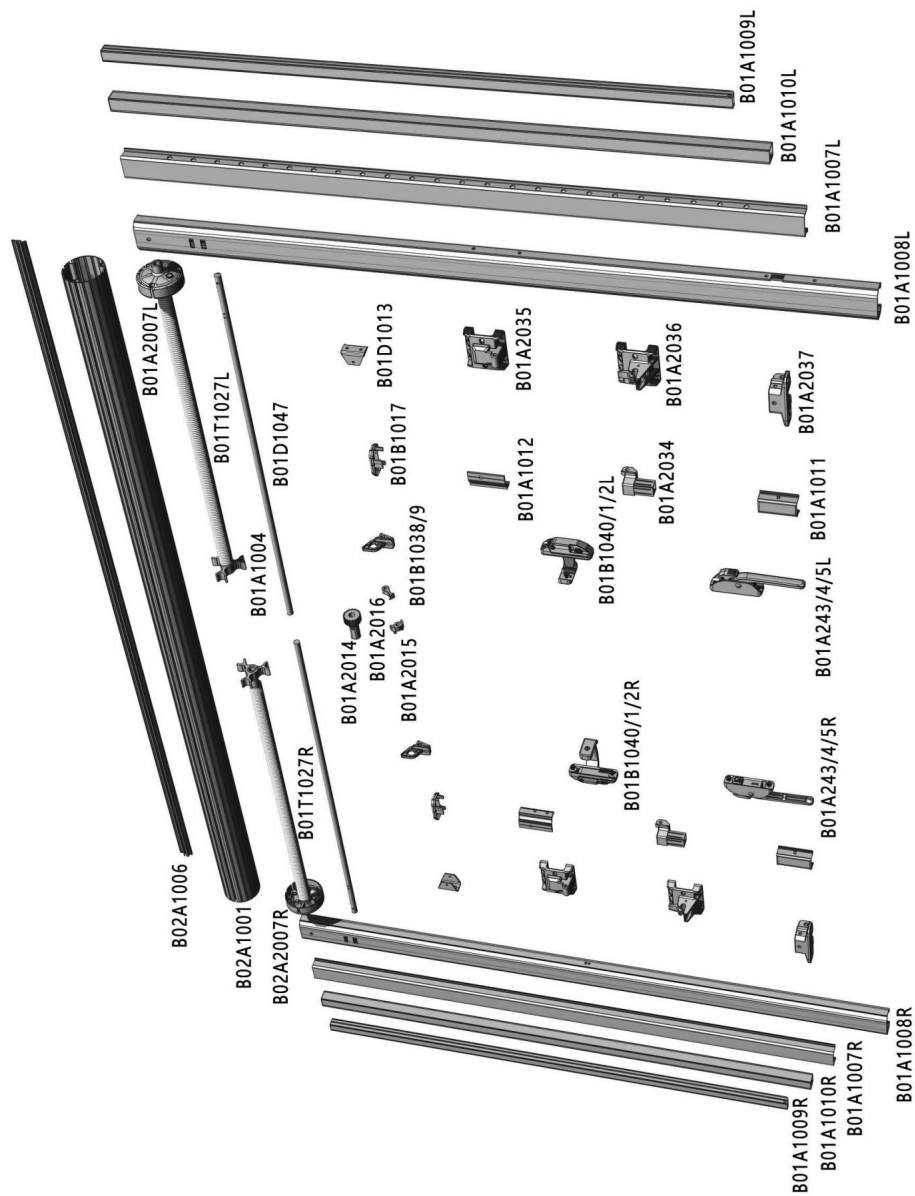
4. Trudności z dociśnięciem głowicy zamka: Nanieś odpowiednią ilość oleju smarującego na głowicę zamka i obszar języka



Rysunek E3

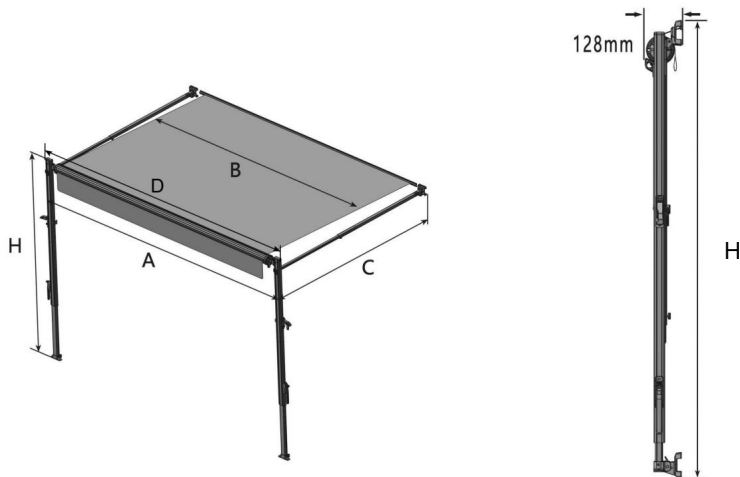
## SCHEMAT STRUKTURY PRODUKTU

niektóre produkty mogą mieć modyfikacje i nie będą wymienione (rysunek (G1))



## Rysunek G1

B1 Markiza do kampera z ręcznym rozwijaniem



Markiza Rozmiar	A (mm)	B (mm)	C (mm)	D (mm)	H (mm)	Kolor markizy (wsparcie)
14'	4303	4013	2348	4373	1700	Czarny
15'	4608	4318	2348	4678	1700	Czarny
16'	4913	4623	2348	4983	1700	Czarny
17'	5218	4928	2348	5288	1700	Czarny
18'	5522	5232	2348	5592	1700	Czarny
18'	5522	5232	2348	5592	1700	Biały
20'	6132	5842	2348	6202	1700	Czarny
20'	6132	5842	2348	6202	1700	Biały



Producent: Shanghaimuxinmuyeyouxiangongsi

Adres: Shuangchenglu 803nong11hao1602A-1609shi, baoshanqu, szanghaj  
200000 CN.

Importowane do AUS: SIHAO PTY LTD. 1 ROKEVA STREETEASTWOOD  
NSW 2122 Australia

Importowane do USA: Sanven Technology Ltd. Suite 250, 9166 Anaheim  
Miejsce, Rancho Cucamonga, CA 91730



YH CONSULTING LIMITED.

C/O YH Consulting Limited Biuro 147,  
Centurion House, London Road,  
Staines-upon-Thames, Surrey, TW18 4AX



E-CrossStu GmbH

Mainzer Landstr.69,  
60329 Frankfurt nad Menem.

# VEVOR®

**TOUGH TOOLS, HALF PRICE**

Wsparcie techniczne i certyfikat e-gwarancji

[www.vevor.com/support](http://www.vevor.com/support)

# **VEVOR<sup>®</sup>**

## **TOUGH TOOLS, HALF PRICE**

Technische ondersteuning en e-garantiecertificaat [www.vevor.com/support](http://www.vevor.com/support)

## **INTREKBARE CAMPERLUIFEL**

**MODEL: B1**

Wij streven er voortdurend naar om u gereedschappen tegen concurrerende prijzen te leveren.

"Save Half", "Half Price" of andere soortgelijke uitdrukkingen die wij gebruiken, geven alleen een schatting weer van de besparingen die u kunt behalen door bepaalde gereedschappen bij ons te kopen in vergelijking met de grote topmerken en betekent niet noodzakelijkerwijs dat alle categorieën gereedschappen die wij aanbieden, worden gedekt. Wij herinneren u eraan om zorgvuldig te controleren of u daadwerkelijk de helft bespaart in vergelijking met de grote topmerken wanneer u een bestelling bij ons plaatst.

**VEVOR**<sup>®</sup>  
TOUGH TOOLS, HALF PRICE

**Uitschuifbare camperluifel**

**MODEL: B1**



<Afbeelding alleen ter referentie>

**HULP NODIG? NEEM CONTACT MET ONS OP!**

Heeft u vragen over het product? Heeft u technische ondersteuning nodig? Neem dan gerust contact met

ons op: **Technische ondersteuning en E-garantiecertificaat**  
**[www.vevor.com/support](http://www.vevor.com/support)**

Dit is de originele instructie, lees alle handleidingen zorgvuldig door voordat u het product gebruikt. VEVOR behoudt zich een duidelijke interpretatie van onze gebruikershandleiding voor. Het uiterlijk van het product is afhankelijk van het product dat u hebt ontvangen. Vergeef ons dat we u niet opnieuw zullen informeren als er technologie- of software-updates voor ons product zijn.

## BELANGRIJKE VEILIGHEIDSMATREGELEN



**WAARSCHUWING:** Lees en begrijp deze volledige handleiding voordat u het apparaat bedient.

of het onderhouden van dit product. Het niet opvolgen van deze waarschuwingen en

Het niet opvolgen van de instructies kan leiden tot persoonlijk letsel of schade aan waardevolle eigendommen.

ÿ Het is het beste om het montageproces van de luifel te voltooien met een

assistent. Wees voorzichtig en voorzichtig wanneer u op een ladder staat. ÿ Installatie en

demonstratie door twee personen is veiliger en gemakkelijker.

Raadpleeg de handleiding van uw camper.

ÿ Zorg ervoor dat kinderen de luifel niet gebruiken. Dit product is geen speelgoed, dus gebruik het niet

laat kinderen spelen. ÿ Houd

uit de buurt van scherpe punten, messen en andere voorwerpen. ÿ Houd uit

de buurt van open vuur. Dit product zal ontbranden en verbranden als

in contact gebracht met een open vlam. ÿ Houd het

installatiegebied schoon en goed verlicht. ÿ Houd omstanders

uit de buurt tijdens de montage. Installeer niet wanneer

vermoeidheid of onder invloed van alcohol, drugs of medicijnen.

ÿ Productmogelijkheden zijn van toepassing op correct en volledig geïnstalleerde

producten. ÿ Voor

aanvullende informatie over de onderdelen die in de volgende lijst staan vermeld,

Voor meer informatie over de verschillende pagina's verwijzen wij u naar het accessoirepakket van deze handleiding.

Pak alle onderdelen uit en scheid ze in een schone werkruimte. Houd kleine

Reserveonderdelen buiten bereik van kinderen houden.

ÿ Gebruik geen buitensporige kracht bij het monteren of opbergen van het product. ÿ Dit product

MOET worden geïnstalleerd/onderhouden door een gekwalificeerd servicebedrijf.

technicus.

ÿ **GEVAAR VOOR IMPACT OF VERPLETTERING.** Dit product moet worden geïnstalleerd in een

gecontroleerde omgeving. Installeer het product NIET tijdens windiger

omstandigheden of wanneer er wind wordt verwacht. Anders zou het product

onvoorspelbaar bewegen, instabiel worden en [losraken/buigen/

instorten].




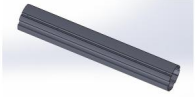

## BEWAAR DEZE INSTRUCTIES



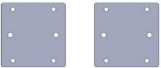




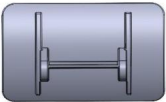


Hartelijk dank voor het kiezen van deze RV-luifel. Lees alle instructies voordat u het gebruikt. De informatie zal u helpen om het beste te bereiken mogelijke resultaten.




### TECHNISCHE PARAMETER

Productnaam	Uitschuifbare camperluifel
Model	B1
Materiaal	Aluminium
Stof	PVC
Kleur	Wit&Zwart
Geschikt voertuig	Campers

### PAKKETLIJST

Nee.	Naam	Afbeelding	Hoeveelheid
1	Rollenset (L)		1
2	Rollenmontage (R)		1
3	Verlengrol		1
4	Buis aansluiten		2
5	Stof		1

6	Stoffen koord		3
7	Ijus riem		1
8	Onderdeel van de steunstang		2
9	Aluminium plaat		2
10	Trek aan de toverstaf		1
11	Grondspijker		4
12	Platen		1
13	Centrale wieg basis		1
14	Ondersteuning voor Center Cradle		1
15	Deurondersteuning		1
16	Schroef A		24

17	Schroef B		40
18	Schroef C		24
19	Schroef D		10

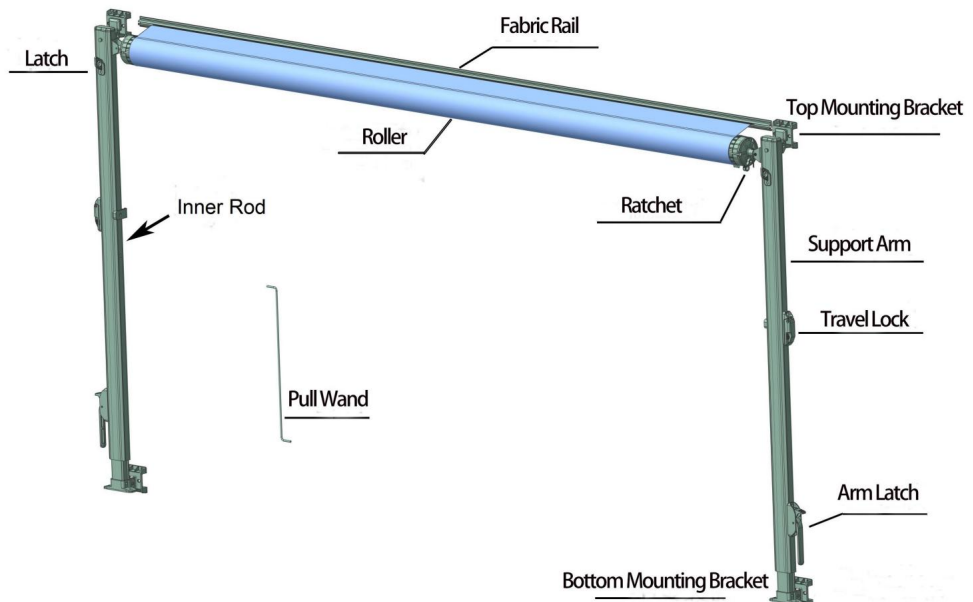
## MONTAGE-INSTRUCTIES

### Invoering

Om optimaal gebruik te kunnen maken van de luifel, raden wij u aan de gebruiksaanwijzing zorgvuldig door te lezen voordat u de luifel in gebruik neemt.

Bewaar de gebruikershandleiding zorgvuldig voor toekomstig gebruik.

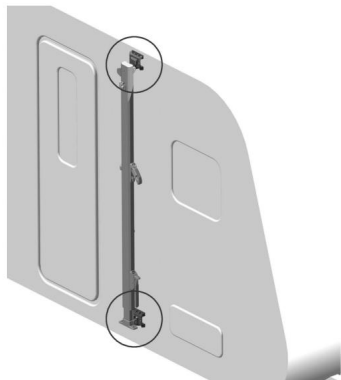
B1 Handmatige uitrolbare camperluifel volledig diagram



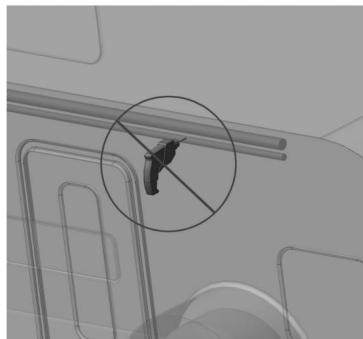
Figuur C1

De B1-luifel wordt aan de zijkant van het voertuig gemonteerd en met boven- en onderste montagebeugels (Figuur C2). De voorzorgsmaatregelen en installatiemethoden zijn als volgt:

1. De luifel moet door 2 of meer personen worden geïnstalleerd.
2. Controleer voor de installatie of er verstevigingsribben aanwezig zijn op de positie van de carrosserie die wordt gebruikt om de installatiebeugel te bevestigen, en of er obstakels zijn zoals water, elektriciteit en andere leidingen op de boorpositie (Figuur C3). Of vraag de voertuigdealer om relevante informatie.



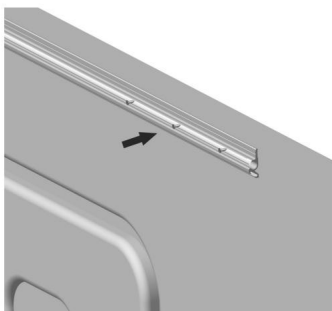
Figuur C2



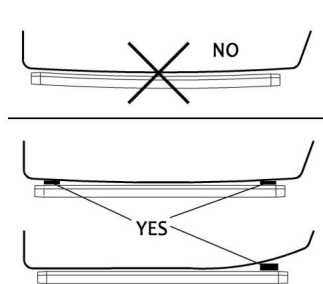
Figuur C3

### 3. Installatiemethode:

3.1 Haal de stoffen rail eruit en bevestig deze aan de buitenkant van de carrosserie met schroeven B (Figuur C4). De stoffen rail moet horizontaal worden geïnstalleerd en anders moet deze worden genivelleerd (het kussenblok moet worden meegeleverd) (Figuur C5). Als de carrosserie vooraf is geïnstalleerd met een stoffen invoeggleuf, kan deze stap worden overgeslagen en kan de stof Er hoeft geen spoor gebruikt te worden.

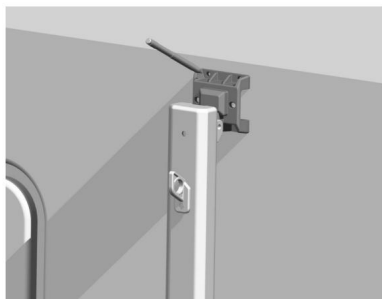


Figuur C4

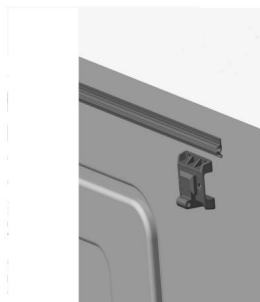


Figuur C5

3.2 Neem de steunarm, markeer hiermee de positie van het gat op een geschikte plaats aan de buitenkant van het voertuig (Figuur C6) en boor een montagegat van  $\varnothing 5$  in de carrosserie van het voertuig (Figuur C7).

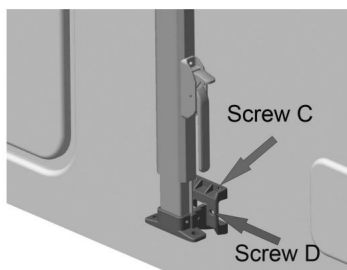


Figuur C6

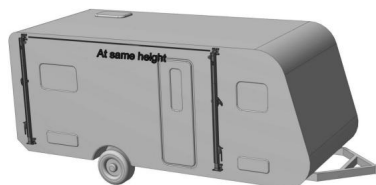


Figuur C7

3.3 Haal de onderste beugels van de armen, plaats ze in de onderste installatiepositie met aluminium platen, bevestig ze met schroef C en schroef D (Figuur C8), monteer vervolgens de arm aan de beugel, bevestig de bovenste beugels ook met schroef C en schroef D. Zorg ervoor dat de twee armen op dezelfde hoogte zijn. (Figuur C9)

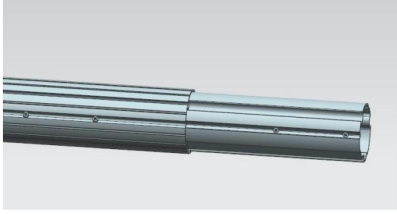


Figuur C8

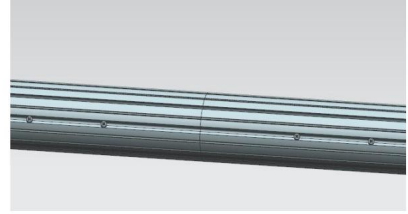


Figuur C9

3.4 Trek de verbindingbuizen aan beide uiteinden van de middelste wikkelbuis uit tot aan de rode eindpositie, monteer de linker- en rechter wikkelbuis en bevestig deze met schroef A bij de verbinding. (Figuur C10, Figuur C11)

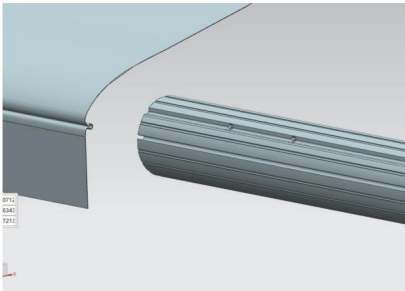


Figuur C10

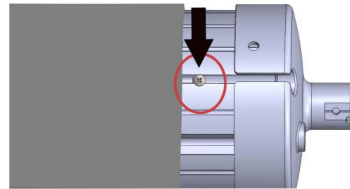


Figuur C11

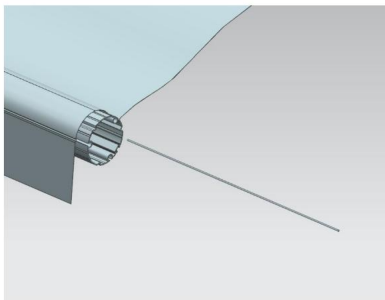
3.5 Open de stof, steek de stof in de gleuf van de rolbuis en steek vervolgens de voorkant van de stof in een andere gleuf op de rolbuis en bevestig vervolgens schroef B aan voorkant dat de stof beweegt, steek vervolgens de stoffen strip in de gleuf. Laatste steek de lusband aan de strip. (Figuur C12, Figuur C13, Figuur C14, Figuur C15)



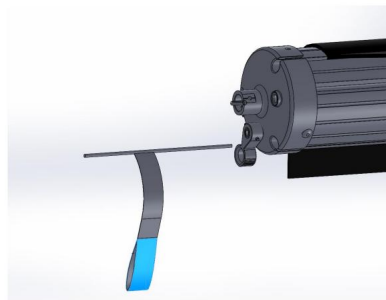
Figuur C12



Figuur C13

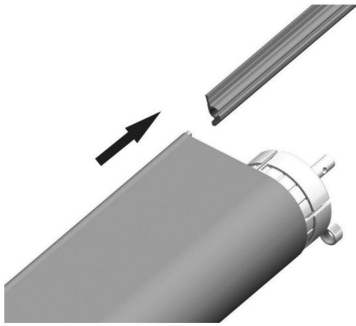


Figuur C14

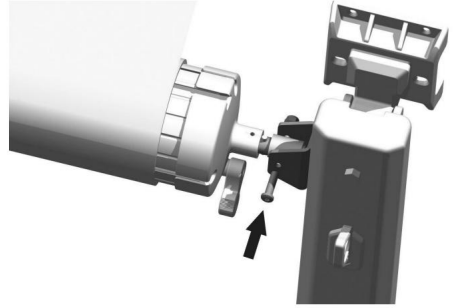


Figuur C15

3.6 Wikkel de stof in dezelfde richting om de rolbuis, waarbij er één cirkel overblijft onaangeroerd en rijg de stof in de stoffen rail van het voertuig (Figuur C15), bevestig de asgat aan het uiteinde van de rol naar de bovenste beugel van de steunstang (Figuur C16).

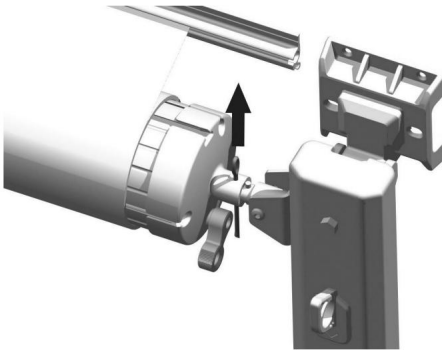


Figuur C15



Figuur C16

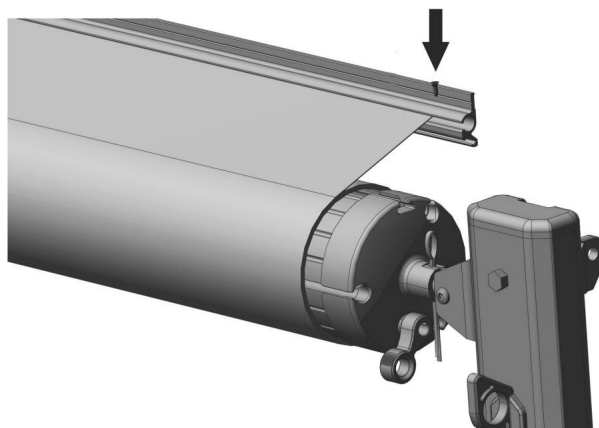
3.7 Verwijder de veiligheidsspelden aan beide zijden van de eindkappen van de rol (Figuur C17) om de stofrol onder spanning strakker te maken.



Figuur C17

**ÿ Let op: Er zit een opwindveer in de rol, die is voorinsteld met een opwaartse kracht. Zorg ervoor dat alle schroeven van de luifelrol volledig vastzitten voordat u de veiligheidspin verwijdert, anders kan dit onbedoeld letsel veroorzaken!**

3.8 Open en sluit de luifel 2-3 keer zodat de luifelstof en het mechanisme zich op natuurlijke wijze op hun plaats kunnen aanpassen. (Zie de gebruiksmethode). Controleer of alle schroeven goed vastzitten en de luifel normaal gebruikt kan worden, bevestig vervolgens schroef B aan beide kanten om te voorkomen dat de stof beweegt. (Figuur C18)



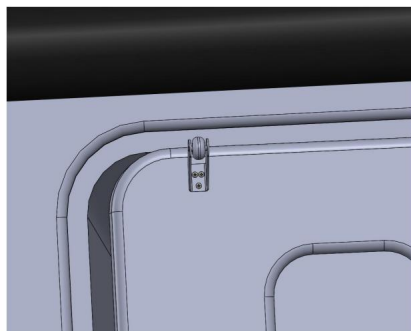
Figuur C18

### 3.9 Installatie van de

deurondersteuning Zoek de juiste positie voor de deurondersteuning. De deurondersteuning moet 0,4 inch hoger zijn dan de deur. Bevestig vervolgens de deurondersteuning met schroef B (afbeelding C19, afbeelding C20).



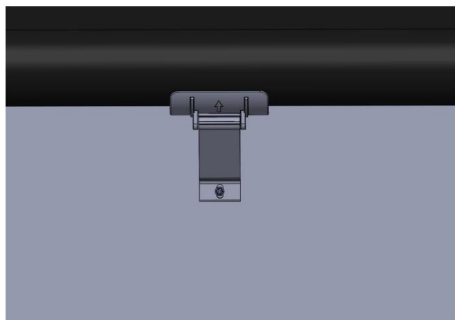
Figuur C19



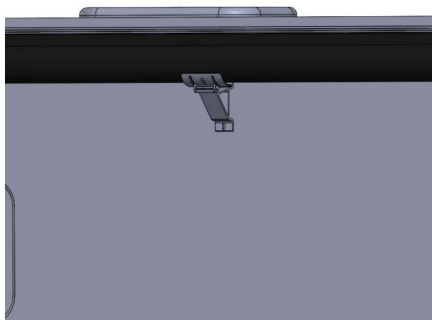
Figuur C20

### 3.10 Centrale wieg installeren

Vind de juiste positie van de center cradle, plaats de center cradle onder de roller, markeer de positie met een markeerstift. Bevestig de center cradle met schroef C en plaats de bout vervolgens in de center cradle. (Figuur C21, Figuur C22)



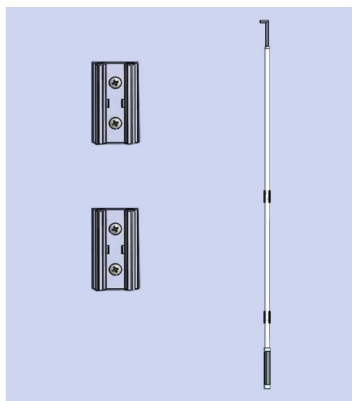
Figuur C21



Figuur C22

### 3.11 Installeer de opbergclip voor de trekhendelstang

Kies de geschikte positie voor de opbergclip en bevestig deze met schroef B (figuur C23)



Figuur C2



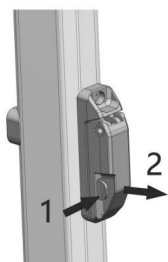
**SCAN DE CODE OM DE INSTALLATIEVIDEO TE BEKIJKEN**

## 4. Gebruiksmethode:

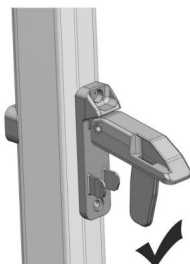
Nadat de bovenstaande installatie van de luifel is voltooid, controleert u het uiterlijk en  
Zorg ervoor dat de schroeven in de bovenstaande onderdelen goed vastzitten.

### 4.1 Open de luifel

4.1.1 Open de veiligheidsvergrendeling die zich in het midden van de steunstangen aan beide zijden bevindt  
(drukken en trekken, figuur D1) en draai de schroef van de trekstang los (figuur D2).

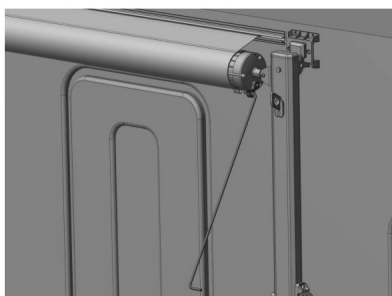


Figuur D1



Figuur D2

4.1.2 Haak de ratelhendel voorzichtig aan het einddeksel van de rol met de trekstang  
beweeg de ratelhendel in de richting van de pijl en schakel de palrichting om naar  
"open" (Figuur D3).



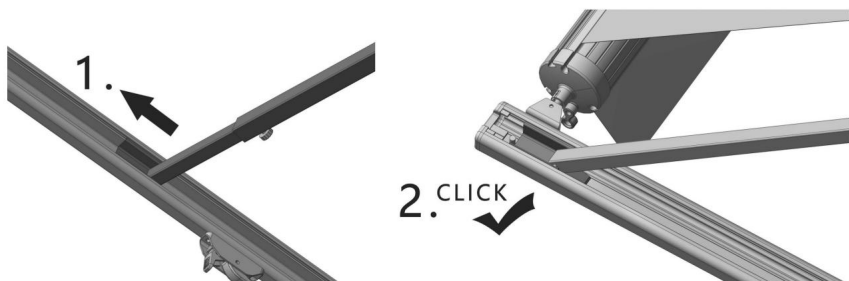
Figuur D3

4.1.3 Steek de elleboog aan één kant van de trekstang in de lusband van de ratel en trek het  
zonnenscherm naar buiten totdat het volledig is uitgeschoven. (Figuur D4)



Figuur D4

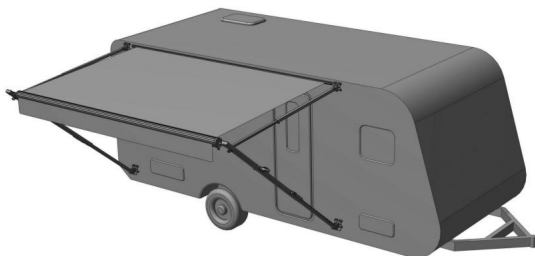
4.1.4 Duw de binnenstang langs de steunstang naar buiten, schuif hem en klik hem vast in de gesp aan de kop van de steunarm (Figuur D5). Draai vervolgens de zwarte vergrendelknop vast om de binnenstang vast te zetten.



Figuur D5

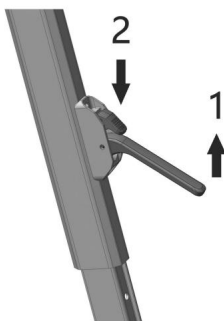
4.1.5 Er zijn twee soorten ondersteuning voor luifels, namelijk carrosserieondersteuning en

grondondersteuning: 1) Voertuigcarrosserieondersteuning (Figuur D6)



Figuur D6

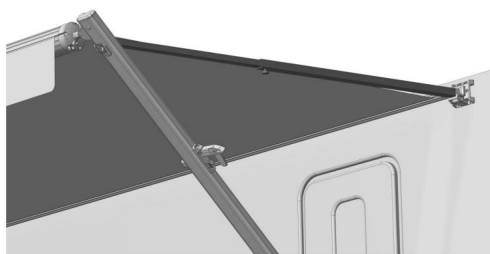
a. Til de armvergrendeling op en druk de vergrendelingskop naar beneden. Schuif vervolgens uit de steunarm tot de juiste hoogte (Figuur D7) en laat de vergrendelingskop los om de steun te vergrendelen. arm.



Figuur D7

**ÿ Let op: Wanneer de binnenstang van de draagarm naar de rode waarschuwingspositie schuift, bereikt deze de maximale steunhoogte. Wanneer deze volledig naar buiten schuift, kan de binnenstang eraf vallen. b.**

Stel de binnenstang nauwkeurig af en span het luifeldoek aan. De luifel is geopend. (Afbeelding D8)



Figuur D8

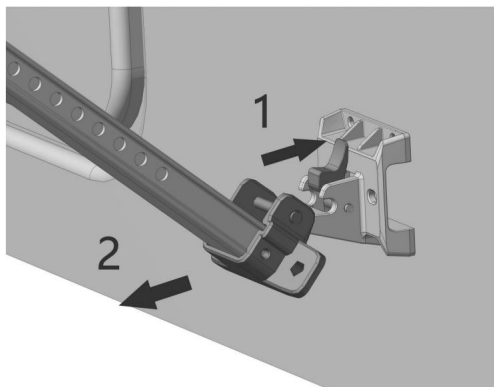
2) Grondondersteuning (Figuur D9)



Figuur D9

a. Maak de vergrendeling van de onderste installatiebeugels los en plaats deze verticaal op

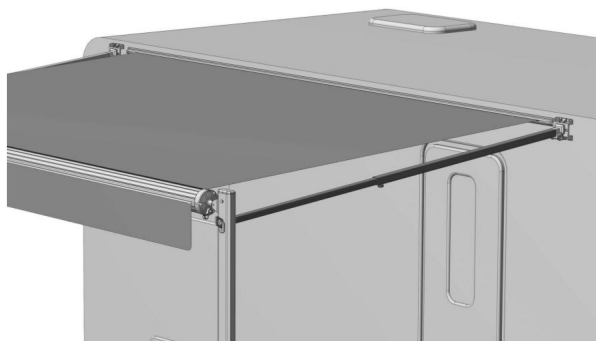
de grond. (Figuur D10)



Figuur D10

b. Draai de zwarte vergrendelknop los om het zonnescherm maximaal uit te schuiven en draai hem vervolgens weer vast. c. Druk de armvergrendeling naar beneden en stel de steunstang af op de gewenste hoogte.

De luifel is geopend. (Figuur D11) En u kunt de grondnagel in de onderste beugels plaatsen, om de luifel stabiel te maken.



Figuur D11

d. Gebruik de grondnagel om de luifel stabiel te maken. (Figuur D12)



Figuur D12

## 4.2 Sluiten van de luifel

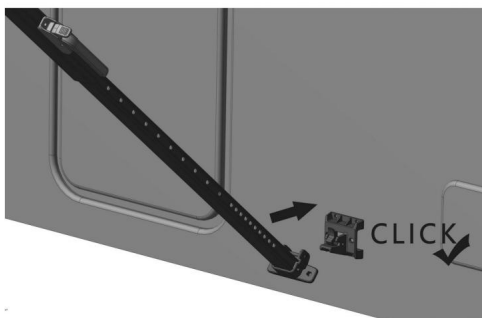
Grondondersteuning Sluiten: (sequentiële bediening vanaf 4.2.1), sluiten van de voertuigondersteuning (sequentiële bediening vanaf

4.2.2): 4.2.1 Herstel van de

grondondersteuningsstatus Draai eerst de steunstang naar binnen en zwaai deze terug,

klem vervolgens de vaste as op de voet van de steunarm in de sleuf van de onderste

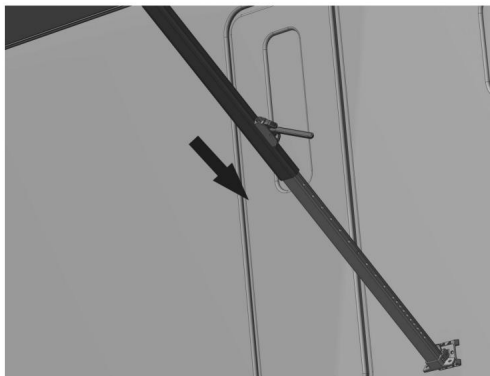
installatiebeugel en schakel deze over naar de voertuigondersteuningsstatus. (Figuur D13)



Figuur D13

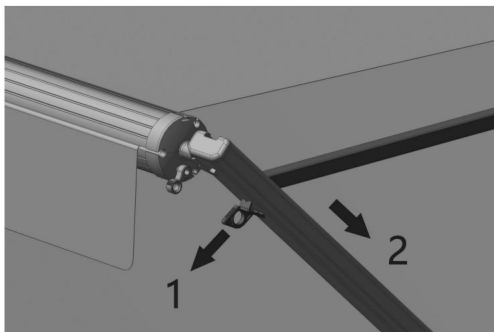
### 4.2.2 Herstel van de voertuigondersteuningsstatus

4.2.3 Til de armvergrendeling op en druk de vergrendelingskop naar beneden om de steunarmen in te trekken. Zie (Figuur D14)



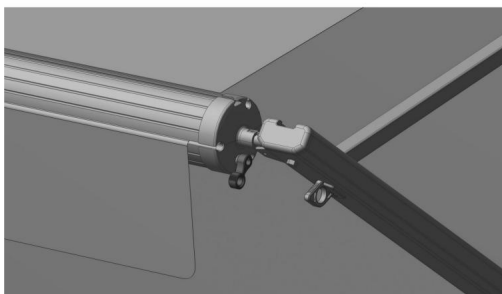
Figuur D14

4.2.4 Trek aan de grendel en duw de binnenstang terug langs de steunarm. (Figuur D15)



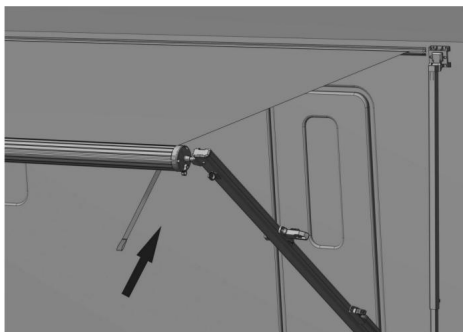
Figuur D15

4.2.5 Houd de lusband vast en duw de ratelhendel op het einddeksel van de rol voorzichtig met uw hand in de richting van de pijl, waarbij u de richting van de pal op "uit" zet. (Figuur D16)



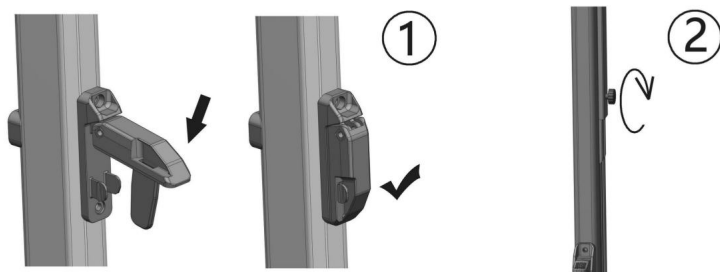
Figuur D16

4.2.6 Laat de recyclinghaspel langzaam los totdat deze volledig is ingetrokken. (Aan het einde kan de elleboog aan één kant van de trekstang worden gebruikt om de rolriem in te brengen voor hulpbediening.) (Figuur D17)



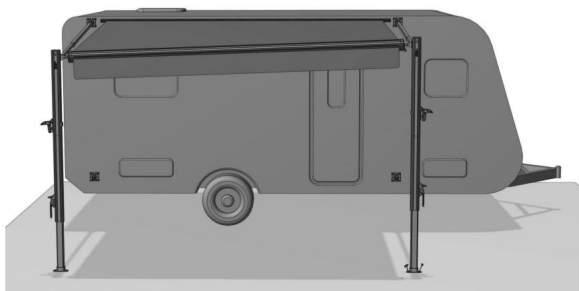
Figuur D17

4.2.7 Druk de reisvergrendeling in het midden van de draagarm naar beneden en draai de schroef van de binnenstang vast. De luifel is gesloten. (Figuur D18)



Figuur D18

4.2.8 Wij raden aan om de luifel alleen te gebruiken voor bescherming tegen de zon. Sluit de luifel bij hevige regen, sneeuw en wind om schade te voorkomen. Als de luifel wordt gebruikt bij lichte regen, pas dan de lengte van de steunpoot aan en kantel één kant van de luifel om het water snel af te voeren. (Afbeelding D19)



Figuur D19



**SCAN DE OF-CODE OM DE GEBRUIKSVIDEO TE BEKIJKEN**

## PROBLEMEN OPLOSSEN

Elke luifel wordt strikt gedebugged en getest voordat deze de fabriek verlaat om de beste conditie te bereiken. Echter, na een periode van gebruik, kunnen er enkele afwijkingen zijn. Behandel ze volgens de volgende situaties.

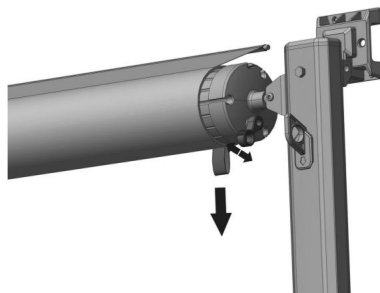
1. Zwakke wikkeling van de luifelrol: Controleer of de torsieveer van de rol de kracht loslaat. De opwaartse krachtmethode van de rolveer is om een schroevendraaier met een diameter van 6 mm in het gat van de stalen as aan het uiteinde van de rol te steken, deze 10-13 keer te draaien in de opwaartse krachtrichting die wordt aangegeven door de eindafdekking, vervolgens de veiligheidspin in te brengen en de rol terug in de steunstang te installeren. (Afbeelding E1)

Let op: De torsie van de haspel kan onbedoeld letsel veroorzaken. Zorg ervoor dat u een veiligheidsspeld gebruikt en deze bedient onder het voorbehoud van veiligheid.

2. De ratelhendel kan niet worden bewogen: De ratelhendel zit vast in de ratel door het koppel van de veer. Wanneer u de ratelhendel draait, kunt u voorzichtig aan de haspel trekken en de riem trekken voordat u de ratelhendel draait. (Afbeelding E2)



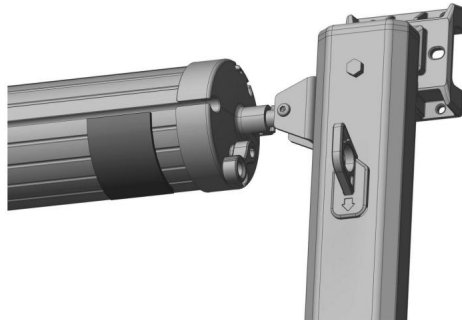
Figuur E1



Figuur E2

3. De stof aan beide kanten van de rol is ongelijk gevouwen en één kant kan niet worden aangespannen: controleer of de luifelstof beschadigd of vervormd is en vervang de zonneschermstof. Als alternatief kan een geschikte dikte van de aanpassingssticker worden aangebracht op de rand van de opgerolde buis aan de kant die niet volledig kan worden aangespannen (apart te leveren), en de hoeveelheid van de zeilcirkel kan worden verfijnd om gelijkmatige aanspanning aan beide kanten te garanderen. (Afbeelding E3).

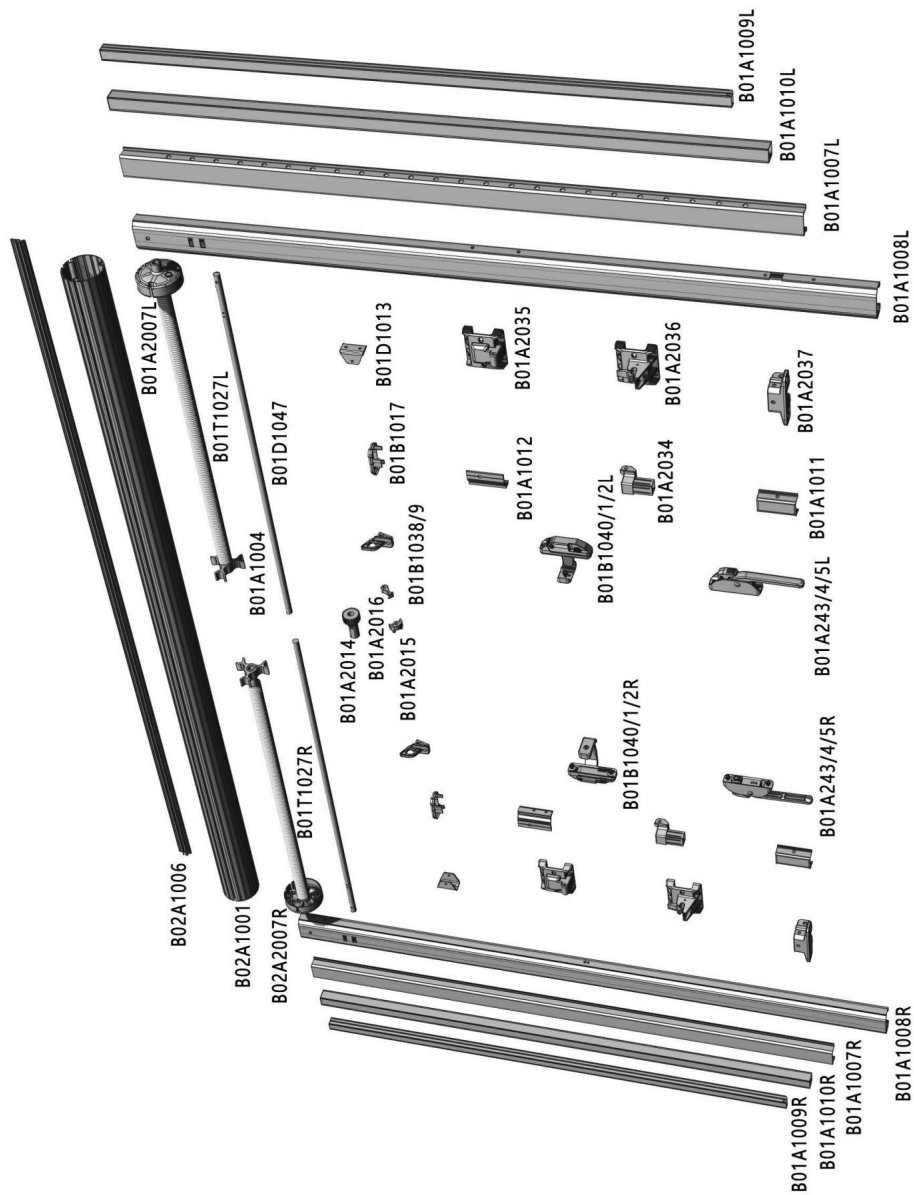
4. Moeilijkheden bij het indrukken van de slotkop: Voeg een geschikte hoeveelheid smeeroilie toe aan het slotkop- en tonggebied



Figuur E3

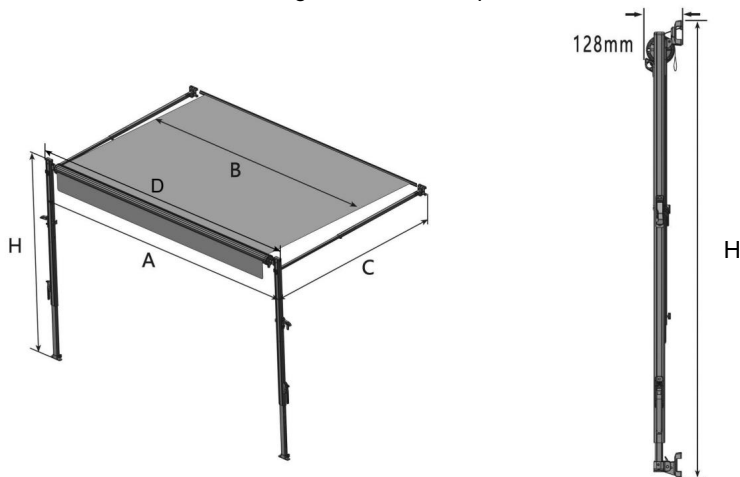
## PRODUCTSTRUCTUURDIAGRAM

sommige producten kunnen aanpassingen hebben en worden niet vermeld (Figuur G1)



Figuur G1

## B1 Handmatige uitrolbare camperluifel



Luifel Maat	A (mm)	B (mm)	C (mm)	D (mm)	H (mm)	Luifelkleur (steun)
14'	4303	4013	2348	4373	1700	Zwart
15'	4608	4318	2348	4678	1700	Zwart
16'	4913	4623	2348	4983	1700	Zwart
17'	5218	4928	2348	5288	1700	Zwart
18'	5522	5232	2348	5592	1700	Zwart
18'	5522	5232	2348	5592	1700	Wit
20'	6132	5842	2348	6202	1700	Zwart
20'	6132	5842	2348	6202	1700	Wit



**Fabrikant:** Shanghaimuxinmuyeyouxiangongsi

**Adres:** Shuangchenglu 803nong11hao1602A-1609shi, baoshanqu, shanghai  
200000 CN.

**Geïmporteerd naar AUS:** SIHAO PTY LTD. 1 ROKEVA STREETEASTWOOD  
NSW 2122 Australië

**Geïmporteerd naar de VS:** Sanven Technology Ltd. Suite 250, 9166 Anaheim  
Plaats, Rancho Cucamonga, CA 91730



YH CONSULTING LIMITED.

C/O YH Consulting Limited Kantoor 147,  
Centurion House, London Road,  
Staines-upon-Thames, Surrey, TW18 4AX



E-CrossStu GmbH

Mainzer Landstr.69,  
60329 Frankfurt am Main.

# VEVOR<sup>®</sup>

**TOUGH TOOLS, HALF PRICE**

Technische ondersteuning en e-garantiecertificaat

[www.vevor.com/support](http://www.vevor.com/support)

# VEVOR®

## TOUGH TOOLS, HALF PRICE

Teknisk support och e-garanticertifikat [www.vevor.com/support](http://www.vevor.com/support)

### INDRÄCKBAR FÖRTÄLT för husbil

MODELL: B1

Vi fortsätter att vara engagerade i att ge dig verktyg till konkurrenskraftiga priser.

"Spara hälften", "halva priset" eller andra liknande uttryck som används av oss representerar bara en uppskattning av besparingar du kan dra nytta av att köpa vissa verktyg hos oss jämfört med de stora toppmärkena och betyder inte nödvändigtvis att täcka alla kategorier av verktyg som erbjuds av oss. Du påminns om att noggrant kontrollera när du gör en beställning hos oss om du verkligen sparar hälften i jämförelse med de främsta varumärkena.

**VEVOR**<sup>®</sup>  
TOUGH TOOLS, HALF PRICE

**Infällbar markis för husbil**

**MODELL: B1**



<Endast bild för referens>

### **BEHÖVER HJÄLP? KONTAKTA OSS!**

Har du produktfrågor? Behöver du teknisk support? Kontakta oss gärna: **Teknisk support och e-**

**garanticertifikat [www.vevor.com/support](http://www.vevor.com/support)**

Detta är den ursprungliga instruktionen, läs alla instruktioner noggrant innan du använder den. VEVOR reserverar sig för en tydlig tolkning av vår användarmanual. Utseendet på produkten är beroende av den produkt du fått. Ursäkta oss att vi inte kommer att informera dig igen om det finns någon teknik eller mjukvaruuppdateringar på vår produkt.

## VIKTIGA SÄKERHETSÅTGÄRDER



**VARNING:** Läs och förstå hela denna bruksanvisning innan du använder den eller serva denna produkt. Underlåtenhet att följa dessa varningar och instruktioner kan orsaka personskada eller skada på värdefull egendom.

- Det är bäst att slutföra processen med att montera markisen med en assistent. Var försiktig och försiktig när du är på en stege. • Installation och demontering av två personer är säkrare och enklare. Snälla konsultera din husbils bruksanvisning.
- Undvik att barn använder markisen, och denna produkt är inte en leksak, gör det inte låta barn leka. • Håll dig borta från vassa spetsar, knivar och andra föremål. • Förvaras åtskilt från öppen låga. Denna produkt kommer att antändas och brinna om komma i kontakt med öppen låga. • Håll installationsområdet rent och väl upplyst. • Håll åskådare borta från området under monteringen. Installera inte när trött eller påverkad av alkohol, droger eller mediciner.
- Produktens egenskaper gäller för korrekt och fullständigt installerad endast produkter.
- För ytterligare information om delarna som listas nedan sidorna, se tillbehörspaketet i denna handbok. Packa upp och separera alla delar på ett rent arbetsområde. Vänligen håll dig liten reservdelar utom räckhåll för barn.
- Använd inte överdriven kraft när du monterar eller förvarar produkten. • Denna produkt **MÅSTE** installeras/servas av en kvalificerad service tekniker.
- ISLAG- ELLER KLÄMNINGSRISK. Denna produkt bör installeras i en kontrollerad miljö. Installera INTE produkten när det blåser förhållanden eller när vind förväntas. Annars kan produkten röra sig oförutsägbart, bli instabil och kan [lossa/böjas/kollapsa].




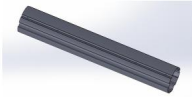

## SPARA DESSA INSTRUKTIONER




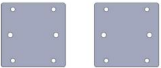




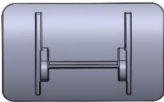


Tack så mycket för att du valde denna RV-markis. Vänligen läs alla instruktioner innan du använder den. Informationen hjälper dig att uppnå det bästa möjliga resultat.




### TEKNISK PARAMETER

Produktnamn	Infällbar markis för husbil
Modell	B1
Material	Aluminium
Tyg	PVC
Färg	Vit & Svart
Lämpligt fordon	Husbilar

### PAKETLISTA

Inga.	Namn	Bild	ANTAL
1	Rullenhet (L)		1
2	Rullenhet (R)		1
3	Förlängningsrulle		1
4	Anslut röret		2
5	Tyg		1

6	Tyg knep-sladd		3
7	öglebälte		1
8	Stödstångskomponent		2
9	Aluminiumplåt		2
10	Dra staven		1
11	Slipad spik		4
12	Platen		1
13	Center Cradle bas		1
14	Center Cradle-stöd		1
15	Dörrstöd		1
16	Skruv A		24

17	Skruv B		40
18	Skruv C		24
19	Skruv D		10

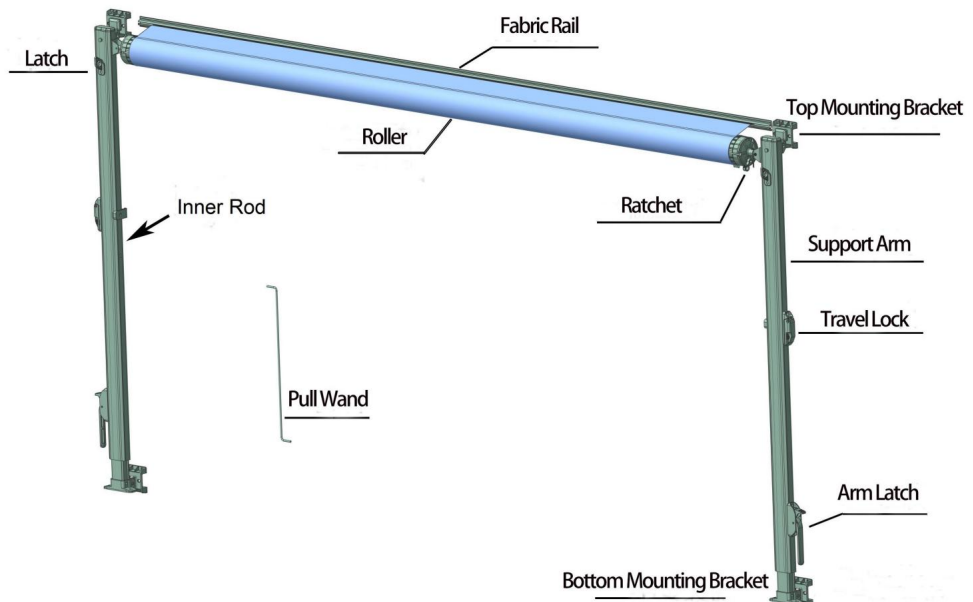
## MONTERINGSINSTRUKTIONER

### Introduktion

För att bättre använda markisen, vänligen läs bruksanvisningen noggrant före användning.

Förvara bruksanvisningen på rätt sätt för framtida referens.

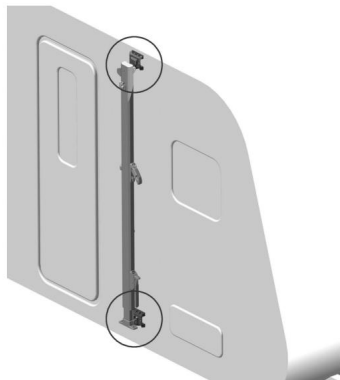
B1 Manuell utrullning av husbilsmarkis Fullt diagram



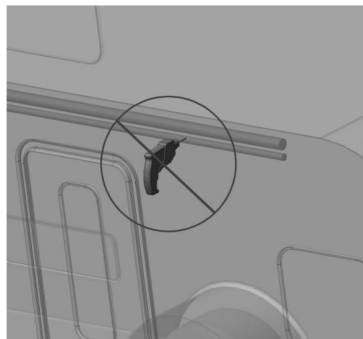
Figur C1

B1-markisen monteras på sidan av fordonet och fixeras med övre och nedre monteringsfästen (Figur C2). Försiktighetsåtgärder och installationsmetoder är följande:

1. Markisen måste monteras av 2 eller fler personer.
2. Kontrollera före installationen om det finns förstärkningsribbor vid läget för fordonskarossen som används för att fixera installationsfästet, och om det finns hinder som vatten, elektricitet och andra ledningar vid borrhpositionen (Figur C3). Eller fråga med fordonshandlaren för relevant information.



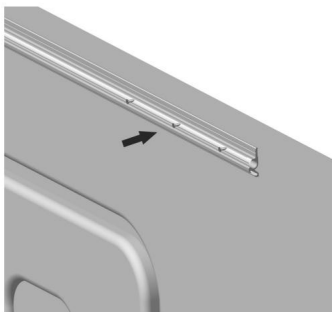
Figur C2



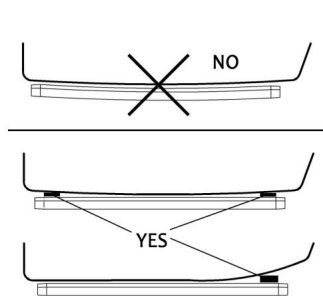
Figur C3

### 3. Installationsmetod:

3.1 Ta ut tygskenan och fäst den på utsidan av fordonskarossen med skruvarna B (Figur C4). Tygskenan ska installeras horisontellt, och om inte, ska den vara jämn (kuddblocket ska finnas) (Figur C5). Om fordonskarossen är förinstallerad med en tyginsättningsspår, kan detta steg utelämnas och tyget skena behöver inte användas.

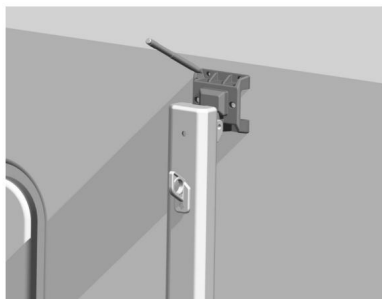


Figur C4

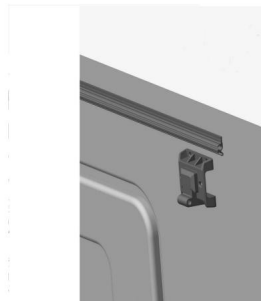


Figur C5

3.2 Ta stödarmen, använd den för att markera hålpositionen vid en lämplig position på utsidan av fordonet (Figur C6), och borra ett  $\varnothing 5$  installationshål på fordonskarossen (Figur C7).

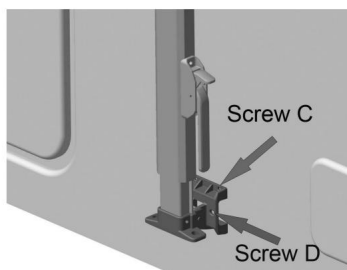


Figur C6

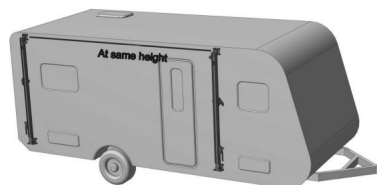


Figur C7

3.3 Ta de nedre fästena från armarna, sätt dem i det nedre installationsläget med aluminiumplattor, fixera dem med skruv C och skruv D (Figur C8), Montera sedan armen till fästet, fixera de övre fästena med skruv C och skruv D också. Se till att de två armarna är i samma höjd. (Figur C9)

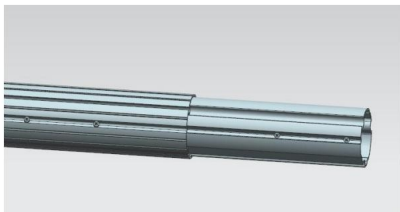


Figur C8

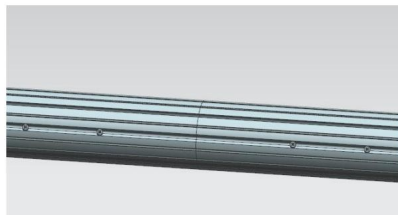


Figur C9

3.4 Dra ut anslutningsrören i båda ändarna av det mittersta lindningsröret till rätt gränsläge, montera vänster och höger lindningsrör och fixera dem med skruv A vid anslutningen. (Figur C10, Figur C11)

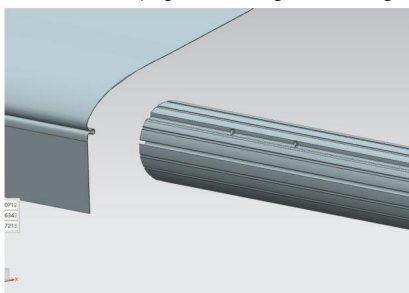


Figur C10

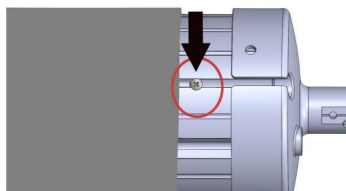


Figur C11

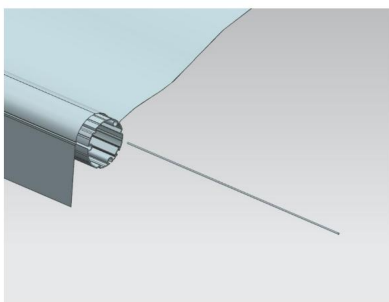
3.5 Öppna tyget, för in tyget i skåran på rullröret och sätt sedan in tyget tygets främre ände i ett annat spår på rullröret och fäst sedan skruven B på förhindra att tyget rör sig, sätt sedan in tygremsan i skåran. Sista insättningen öglebältet till remsan. (Figur C12, Figur C13, Figur C14, Figur C15)



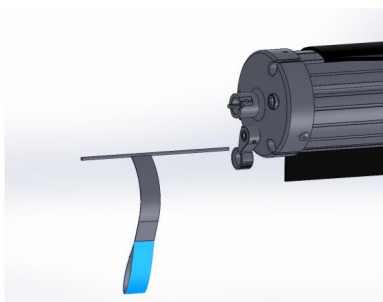
Figur C12



Figur C13

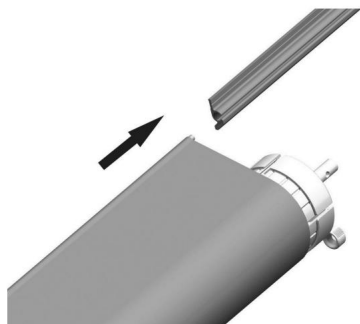


Figur C14

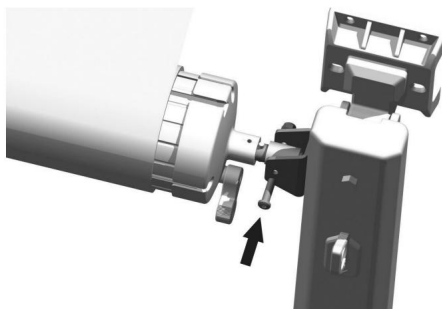


Figur C15

3.6 Linda tyget i samma riktning på rullröret och lämna kvar en cirkel orörd och trä in tyget i fordonets tygskena (Figur C15), fixera axelhålet i änden av rullen till det övre fästet på stödstången (Figur C16).

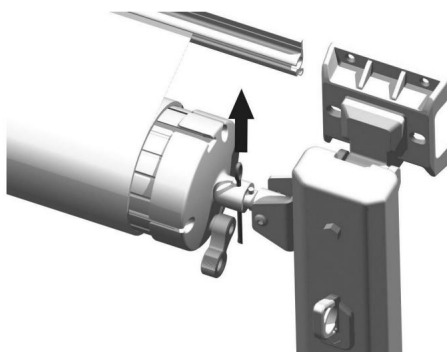


Figur C15



Figur C16

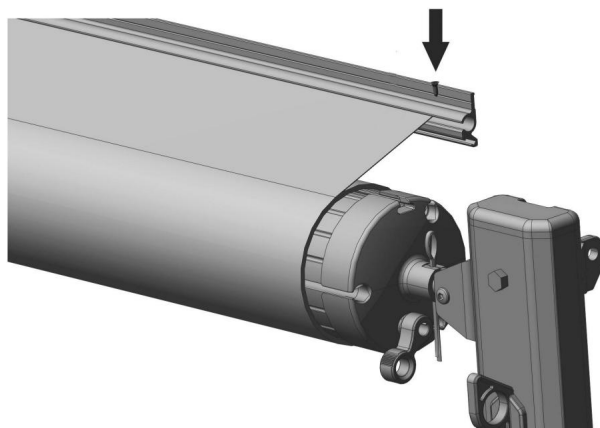
3.7 Ta bort säkerhetsnålarna på båda sidor av valsens ändstycken (Figur C17) för att dra åt tygrullen under påfrestning.



Figur C17

**Ö Observera: Det finns en slingrande fjäder inuti rullen, som har förinställts med en uppåtriktad kraft. Se till att skruva fast alla skruvar på markisrullen innan du tar bort säkerhetsnålen, annars kan det orsaka oavsiktlig skada!**

3.8 Öppna och stäng markisen 2-3 gånger så att markisväven och mekanismen naturligt kan justeras på plats. (Se användningsmetoden). Kontrollera att alla skruvar är fasta och markisen kan användas normalt, fäst sedan skruv B på båda sidor för att förhindra att tyget rör sig.(Figur C18)



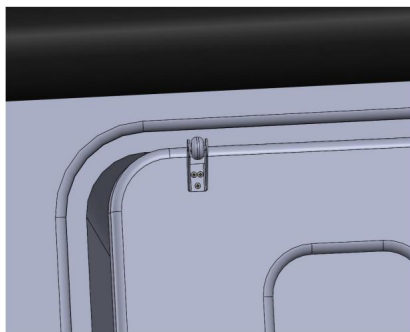
Figur C18

### 3.9 Installation av dörrstöd

Hitta rätt position från dörrstödet, dörrstödet måste vara högre än 0,4 tum än dörren, fixera sedan dörrstödet med skruv B (Figur C19, Figur C20)



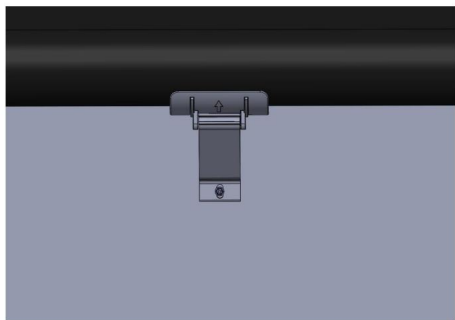
Figur C19



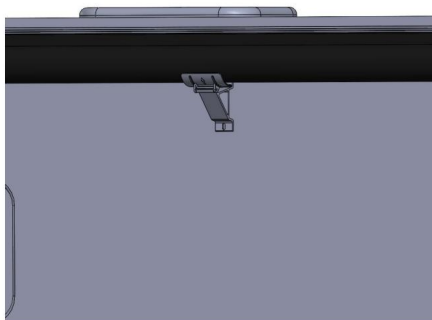
Figur C20

### 3.10 Installation av mittvagga

Hitta rätt position från mittvaggan, lägg mittvaggan under rullen, markera positionen med markör. Fäst den mittersta vaggan med skruv C och sätt sedan in bulten i den mittersta vaggan.(Figur C21, Figur C22)



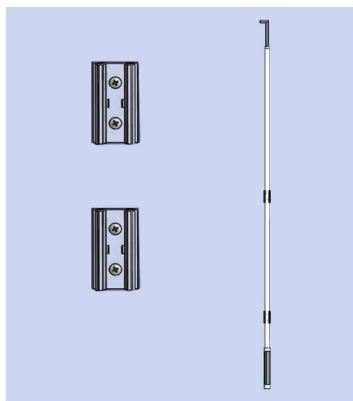
Figur C21



Figur C22

### 3.11 Montera förvaringsklämman för draghandtagsstängan

Välj lämplig position för förvaringsklämman och fixera den med skruv B (Figur C23)



Figur C2



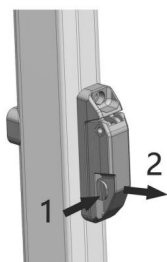
SKANNA THEOR-KODEN FÖR ATT SE INSTALLATIONSVIDEON

## 4. Användningsmetod:

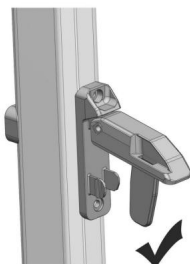
Efter att ovanstående installation av markisen är klar, kontrollera utseendet och se till att skruvarna i ovanstående delar är ordentligt fastsatta.

### 4.1 Öppna markisen

4.1.1 Öppna säkerhetslåset som sitter i mitten av stödstångerna på båda sidor (tryck och dra, figur D1), och lossa spännstångsskruven (Figur D2).



Figur D1



Figur D2

4.1.2 Haka försiktigt fast spärrspaken på valsens ändlock med dragstaven flytta spärrspaken i pilens riktning och växla spärrhakens riktning till "öppen" (Figur D3).



Bild D3

4.1.3 Sätt in armbågen på ena sidan av dragstaven i öglebältet på spärrhaken och dra markisen , utåt tills den är helt utdragen. (Figur D4)

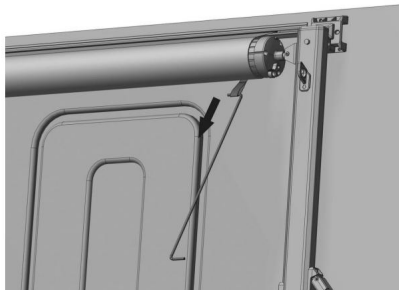


Bild D4

4.1.4 Tryck ut den inre stängen längs stödstången, skjut in den och klämma fast den i spännet som sitter längst upp på stödarmen (Figur D5), dra sedan åt den svarta låsknappen för att fixera den inre stängen.

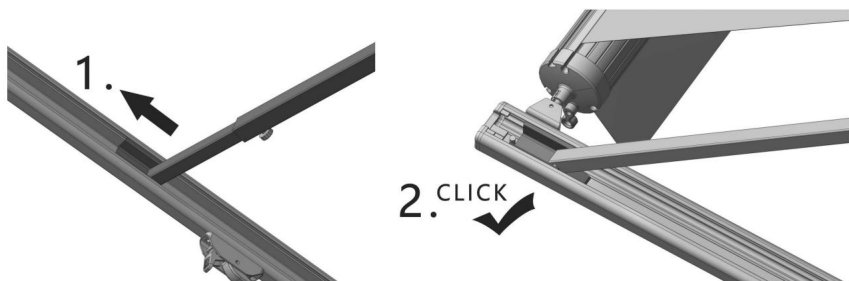


Bild D5

4.1.5 Det finns två typer av stöd för markis, nämligen karossstöd och markstöd: 1)

Fordonskarossstöd (Figur D6)

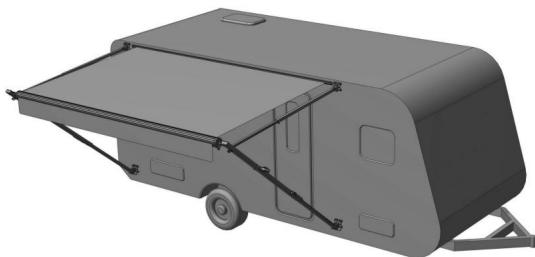
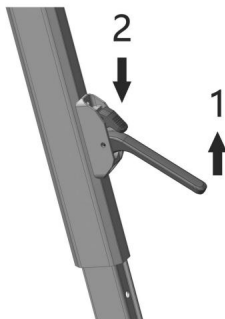


Bild D6

- a. Lyft armpärren och tryck ner låshuvudet, skjut sedan ut ur stödarmen till lämplig höjd (Figur D7), och släpp låshuvudet för att låsa stödet ärm.



Figur D7

• **Observera:** När den inre stången på stödarmen glider till det röda varningsläget når den maximal stödhöjd. När den glider helt ut kan den inre stången falla av.

- b. Finjustera den inre stången och dra åt markisväven. Markisen har öppnats. (Figur D8)

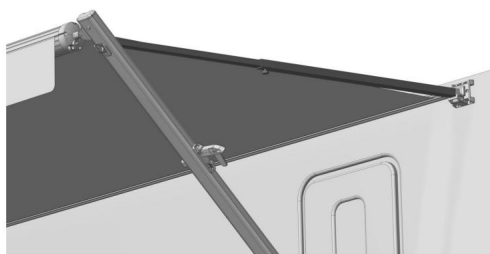


Bild D8

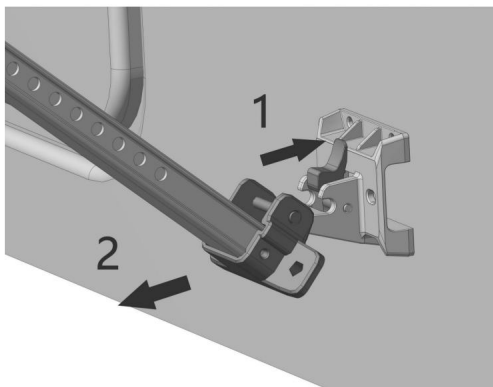
- 2) Markstöd (Figur D9)



Bild D9

- a. Lossa spärren för de nedre installationsfästena och placera den vertikalt

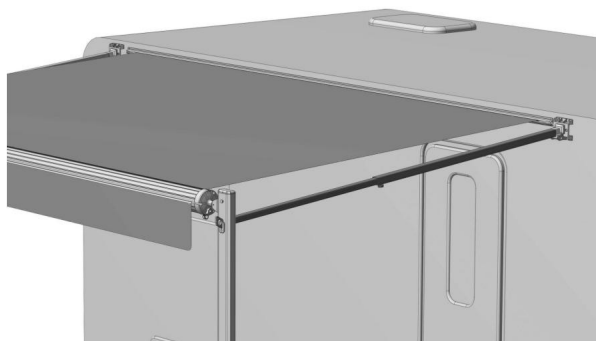
markisen. (Figur D10)



Figur D10

b. Lossa den svarta låsknappen för att förlänga markisen till max, dra sedan åt den. c. Tryck ner armspärren och justera stödstången till lämplig höjd.

Markisen har öppnats. (Figur D11). Och du kan sätta in markspiken i bottenfästena för att göra markisen mer stabil.



Figur D11

d. Använd markspiken för att göra markisen mer stabil. (Figur D12)



Bild D12

## 4.2 Stängning av markis

Markstöd Stängning: (sekventiell drift från 4.2.1), stängning av fordonsstöd (sekventiell drift från 4.2.2):

4.2.1 Återställning av markstödet status Vrid först

stödstången inåt och sväng den tillbaka, klämma

sedan fast den fasta axeln på foten av stödarmen i skåran på det nedre monteringsfästet och växla

den till fordonsstödet staten. (Figur D13)

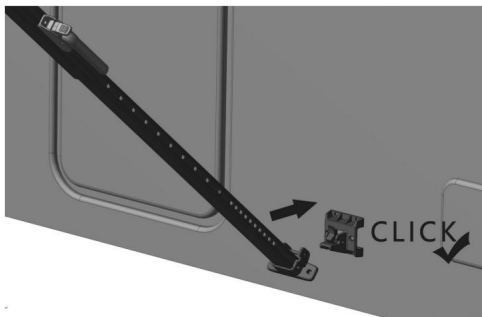


Bild D13

4.2.2 Återställning av fordonsstödstatus 4.2.3 Lyft

armspärren och tryck ner låshuvudet för att dra in stödarmarna. Se (Figur D14)

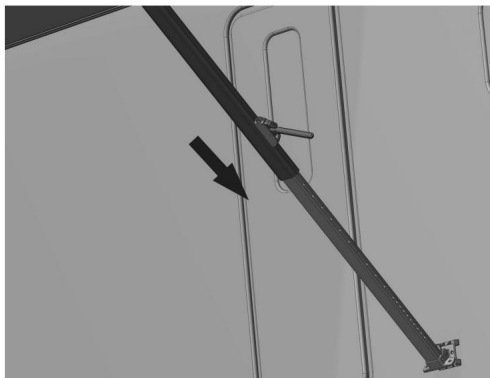


Bild D14

4.2.4 Dra i spärren och tryck tillbaka den inre stången längs med stödarmen. (Figur D15)

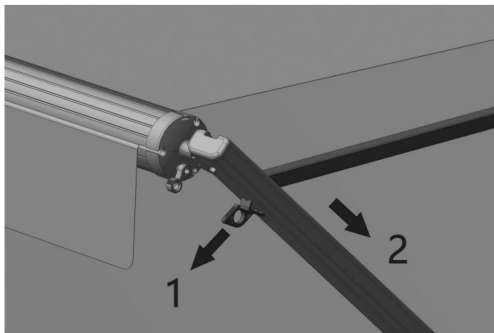


Bild D15

4.2.5 Håll i öglebältet och tryck försiktigt spärrspaken på valsens ändlock i pilens riktning med handen, växla spärrhakens riktning till "av". (Figur D16)

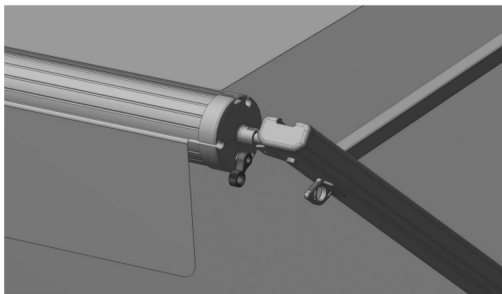
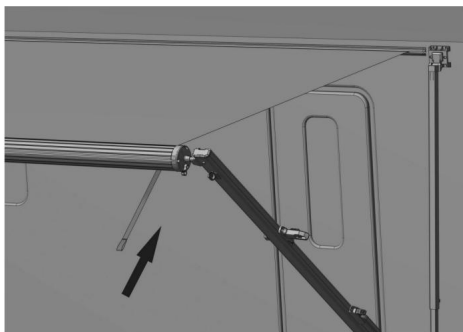


Bild D16

4.2.6 Släpp långsamt återvinningsrullen tills den är helt indragen. (I slutet kan armbågen på ena sidan av dragstaven användas för att föra in rullremmen för hjälpmanövrering) . (Figur D17)



Figur D17

4.2.7 Tryck ner färdlåset i mitten av stödarmen och dra åt skruven på den inre stången. Markisen har stängts. (Figur D18)

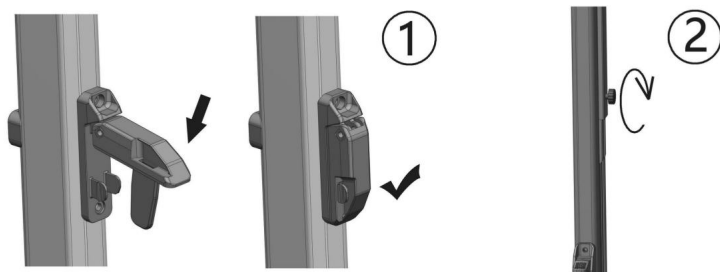


Bild D18

4.2.8 Vi rekommenderar att markisen endast används i solskyddssyfte. Vid dåligt regn, snö och blåst, vänligen stäng markisen för att förhindra skador. Om markisen används i lätt regn, justera längden på stödbenet och luta ena sidan av markisen för att snabbt dränera vatten.(Figur D19)



Bild D19



SKANNA ELLER-KODEN FÖR ATT SE ANVÄNDNINGSVIDEON

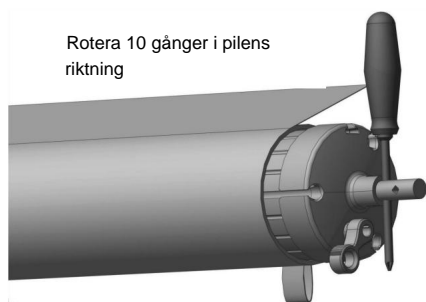
## FELSÖKNING

Varje markis genomgår är strikt felsökt och testad innan den lämnar fabriken för att uppnå bästa skick. Men efter en tids användning kan det förekomma vissa avvikelser. Vänligen hantera dem enligt följande situationer.

1. Svag lindning av markisrullen: Kontrollera om spiralens torsionsfjäder släpper kraft. Den uppåtriktade kraftmetoden för scrollfjäders är att föra in en skruvmejsel med en diameter på 6 mm i stålaxelns hål i änden av scrollen, rotera den 10-13 gånger i den uppåtriktade kraftriktningen som anges av ändskyddet, sätt sedan in säkerhetsnålen, och montera tillbaka scrollen i stödstången. (Figur E1)

Observera: Vridningen av rullen kan orsaka oavsiktlig skada. Se till att använda en säkerhetsnål och använd den under förutsättningen att du garanterar säkerheten.

2. Kan inte flytta spärrspaken: Spärrspaken sitter fast inuti spärrhaken på grund av fjäderns vridmoment. När du vrider på spärrspaken kan du försiktigt dra i rullen och dra i remmen innan du vrider på spärrspaken. (Figur E2)



Figur E1

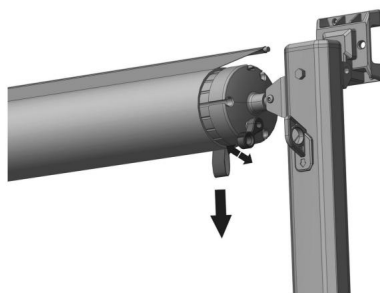


Bild E2

3. Tyget på båda sidor av rullen är ojämnt vikt, och ena sidan kan inte dras åt: kontrollera om markistygget är skadat eller deformerat och byt ut solskyddstyget. Alternativt kan en justeringsdekal med lämplig tjocklek appliceras på kanten av det rullade röret på den sida som inte kan dras åt helt (ska tillhandahållas separat), och storleken på presenningens cirkel kan finjusteras för att säkerställa jämn åtdragning på båda sidor. (Figur E3).

4. Svårighet att trycka på låshuvudet: Tillsätt en lämplig mängd smörjolja till låshuvudet och tungan

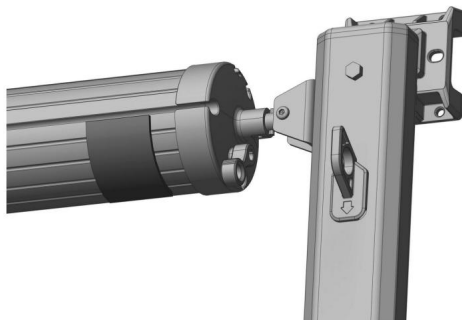
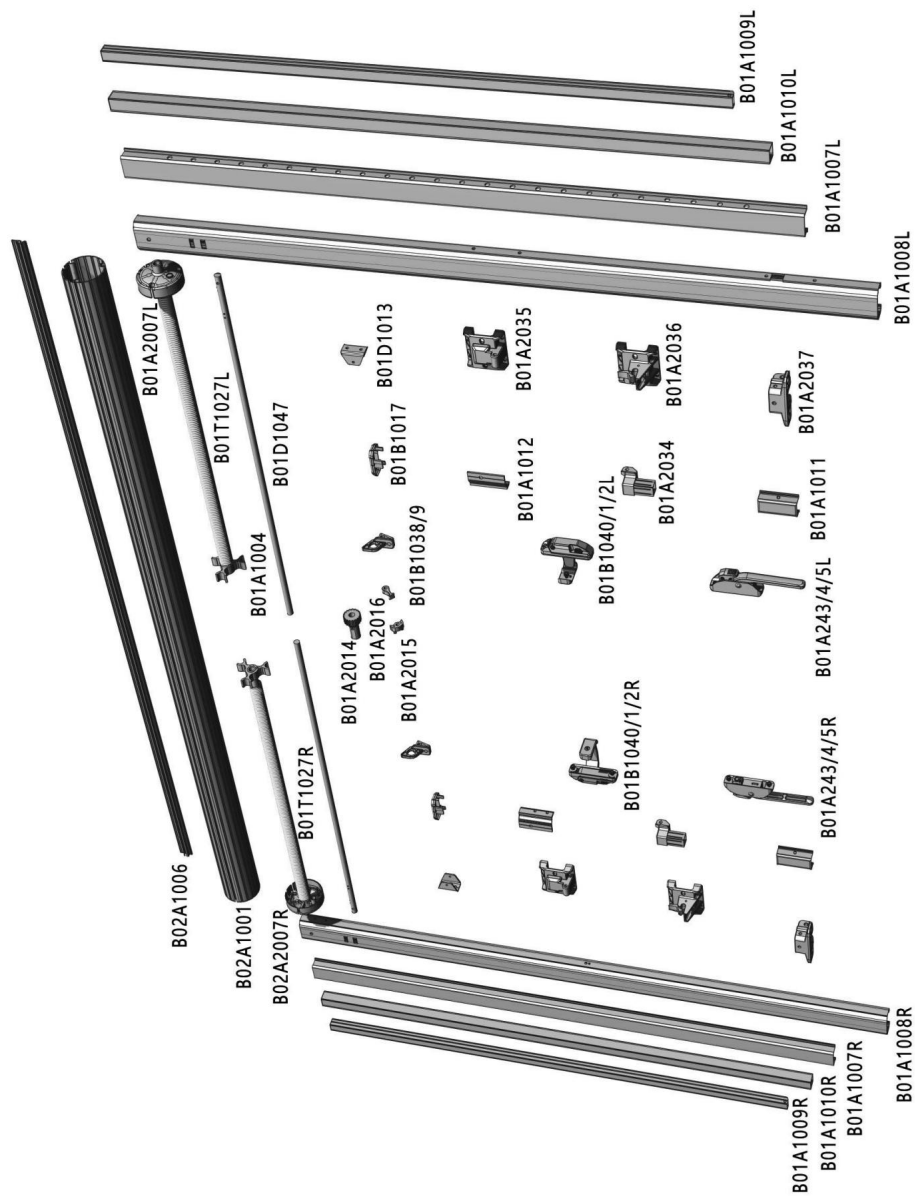


Bild E3

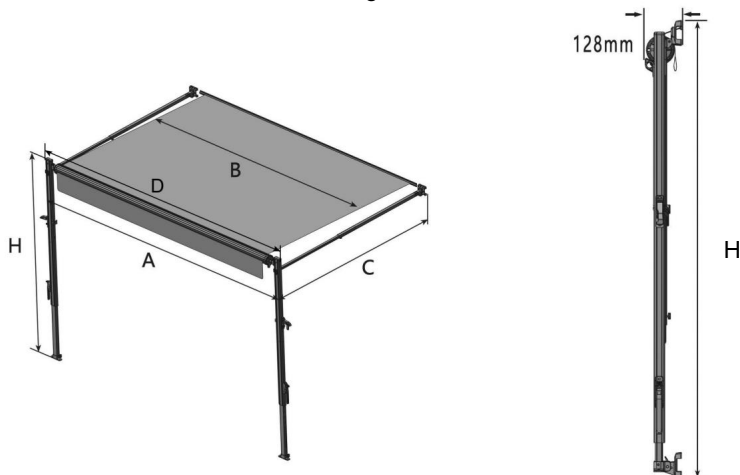
## PRODUKTSTRUKTURDIAGRAM

vissa produkter kan ha justeringar och kommer inte att listas (Figur G1)



Figur G1

## B1 Manuell utrullning av husbilsmarkis



Markis Storlek	A (mm)	B (mm)	C (mm)	D (mm)	H (mm)	Markis färg (stöd)
14'	4303	4013	2348	4373	1700	Svart
15'	4608	4318	2348	4678	1700	Svart
16'	4913	4623	2348	4983	1700	Svart
17'	5218	4928	2348	5288	1700	Svart
18'	5522	5232	2348	5592	1700	Svart
18'	5522	5232	2348	5592	1700	Vit
20'	6132	5842	2348	6202	1700	Svart
20'	6132	5842	2348	6202	1700	Vit



**Tillverkare:** Shanghaimuxinmuyeyouxiangongsi

**Adress:** Shuangchenglu 803nong11hao1602A-1609shi, baoshanqu, shanghai  
200000 CN.

**Importerad till AUS:** SIHAO PTY LTD. 1 ROKEVA STREETEASTWOOD  
NSW 2122 Australien

**Importerad till USA:** Sanven Technology Ltd. Suite 250, 9166 Anaheim  
Place, Rancho Cucamonga, CA 91730



YH CONSULTING LIMITED.

C/O YH Consulting Limited Office 147,  
Centurion House, London Road,  
Staines-upon-Thames, Surrey, TW18 4AX



E-CrossStu GmbH

Mainzer Landstr.69,  
60329 Frankfurt am Main.

# VEVOR®

**TOUGH TOOLS, HALF PRICE**

**Teknisk support och e-garanticertifikat**

[www.vevor.com/support](http://www.vevor.com/support)