



PRO

OWNER'S MANUAL

Use this owner's manual to reference installation, troubleshooting and filter replacement information.

If you need help or have a question, we've got you covered.

Give us a call at **833.232.9711**

ACSmith.

PRO



AOW-2000 2-STAGE UNDER SINK

Sistema bajo el fregadero de 2 etapas

Owner's Manual / El manual del propietario



A. O. Smith has designed, engineered, and built this filtration system to last. It features Claryum® filtration that reduces harmful contaminants – those you can see, smell and taste, and those you can't – with no chemical additives or wasted water. Whatever your water need – from hydration to cooking, early morning coffee, smoothies, or soup, you will now have filtered water.

Keep this owner's manual to reference installation, troubleshooting and filter replacement information.

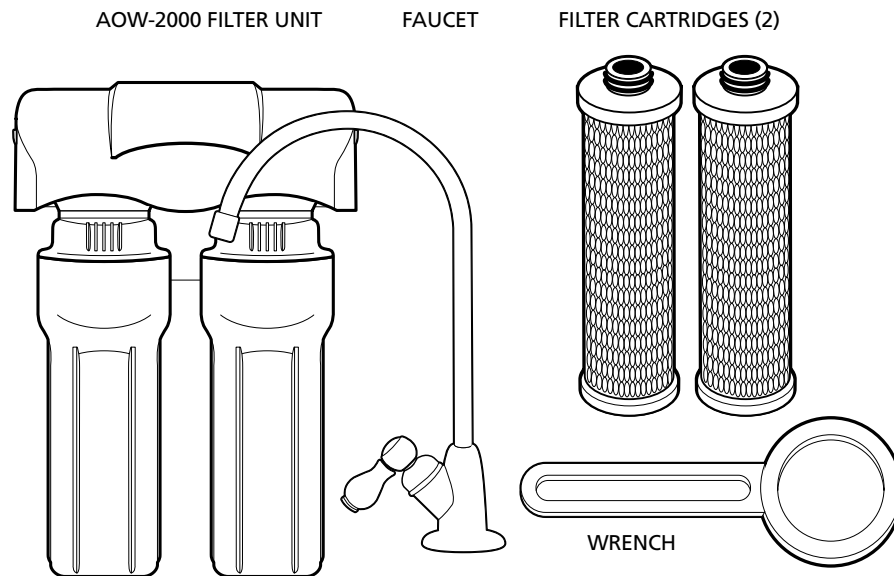
If you need help or have a question, we've got you covered. Give us a call at 833.232.9711.



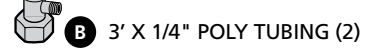

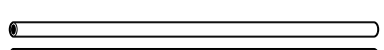

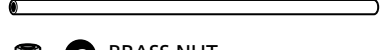
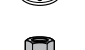
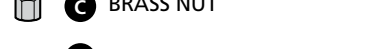

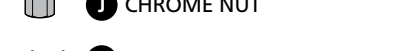
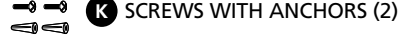
AOW-2000 2-STAGE UNDER SINK

TABLE OF CONTENTS

Box Contents	1
Installation Guide.....	2-3
Care and Maintenance.....	4
Performance Data Sheet.....	5
Warranty.....	6
Spanish/Español.....	7

BOX CONTENTS



- | | |
|--|--|
|  A 1/4" BRASS TEE |  F FAUCET RUBBER WASHER |
|  B 3' X 1/4" POLY TUBING (2) |  G FAUCET SPACER |
|  C BRASS NUT |  H FAUCET WASHER |
|  D PLASTIC COLLAR (2) |  I FAUCET NUT |
|  E BRASS TUBE INSERT |  J CHROME NUT |
| |  K SCREWS WITH ANCHORS (2) |
| |  L PLASTIC TUBE INSERT |

Please read entire manual to ensure all parts listed are present before installation.

If any part is missing or damaged let us know by calling 833.232.9711. Do not attempt to install the filter.

Tools recommended for installation:

- Variable speed drill w/ 7/32" bit
- Adjustable wrench
- Measuring tape
- Bucket
- Phillips head screwdriver
- Hammer

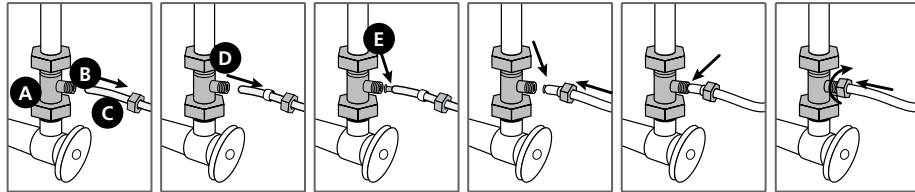
Faucet may be mounted on sink using an existing hole for a sprayer nozzle or soap dispenser, or by drilling a hole no more than 1/2" in diameter. Be sure location of faucet allows spout to extend slightly past the edge of sink.

Note: We recommend using an approved or certified professional if drilling is required.



Turn off and disconnect cold water supply.

Attach threaded ends of supplied brass tee to cold water supply line and shut-off valve; tighten using an adjustable wrench.

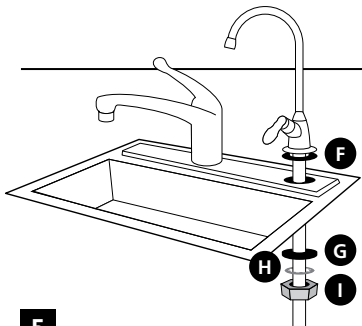


3

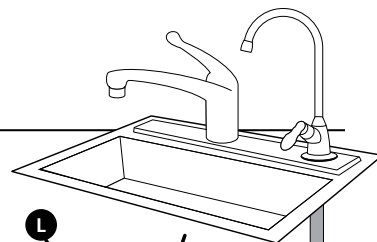
Attach one white poly tube to the brass tee, and slide compression nut onto the tubing (with threads of nut facing end of the tube). Next, slide the plastic sleeve onto the tube. Place brass insert into the opening of tube. Push tip of the tube into opening of the brass tee. While holding the tube in place inside the brass tee, tighten compression nut to compress plastic sleeve and create a seal.



Note: Avoid over-tightening.

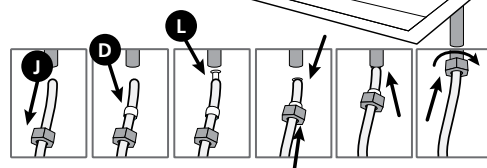


4 **Faucet Installation:** Install as shown. Tighten faucet nut (I) to secure faucet to sink.

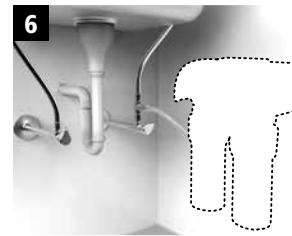


5

Faucet connection: Connect outlet hose to base of faucet by sliding chrome nut onto tube followed by the white collar. Place white insert into the end of tube. Press tube against the faucet base and slide the nut and collar up to the threads. Use wrench to ensure seal is sufficiently tight.



Note: Avoid over-tightening.



Unit installation: Select a space under sink for filter unit that is at least 3" from bottom of your cabinet and allows for easy access to cold water supply and filter replacements. Use mounting holes located on back of unit to pencil in the wall screw placements.
Note: Center to center hole distance is 2.55".

Use a 7/32" drill bit to drill holes for plastic anchors. Carefully tap anchors into the drilled hole with a hammer. Mount unit to the wall with screws. Pull protective plastic strip from the battery compartment. The red LED should flash and beep five (5) times to indicate that battery is installed correctly.



8

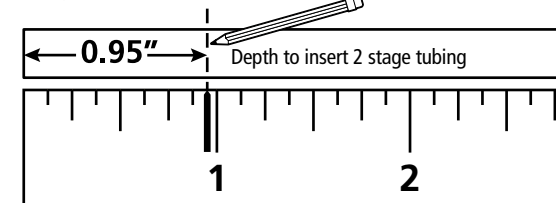


Attach each sump to bottom of the unit housing. Align connection points, push sump up and turn to the right.

Note: Ensure the sump is locked in.



Diagram is actual size.



Connect supply lines: Insert tubing from tee fitting into the inlet side and insert tubing from faucet into the outlet side. Use diagram to mark tubing depth to ensure they are completely inserted. It is VERY IMPORTANT to insert tubing completely so leaking does not occur.

TIPS

- Insert tubing all the way (.95") to prevent leaking.
- Wet end of tubing for an easy install into inlets and outlets.
- Cut excess tubing to prevent crimping, kinks, loops or folds.

Check for leaks and proper installation: Turn on cold water. Place towel under filter unit and check for leaks. Allow water to run 10 minutes to flush.

Note: Never use oils to lubricate the O-rings; O-rings come pre-lubricated.



10

AOW-2000

Replacement cartridge AOW-2000-R

Rated service flow .5gpm (1.89 lpm)

Max capacity 500 gal (1892 liters)

Min working pressure 20 psi (137 kPa)

Max working pressure 80 psi (551 kPa)

Min operating temperature 40° F (4.44° C)

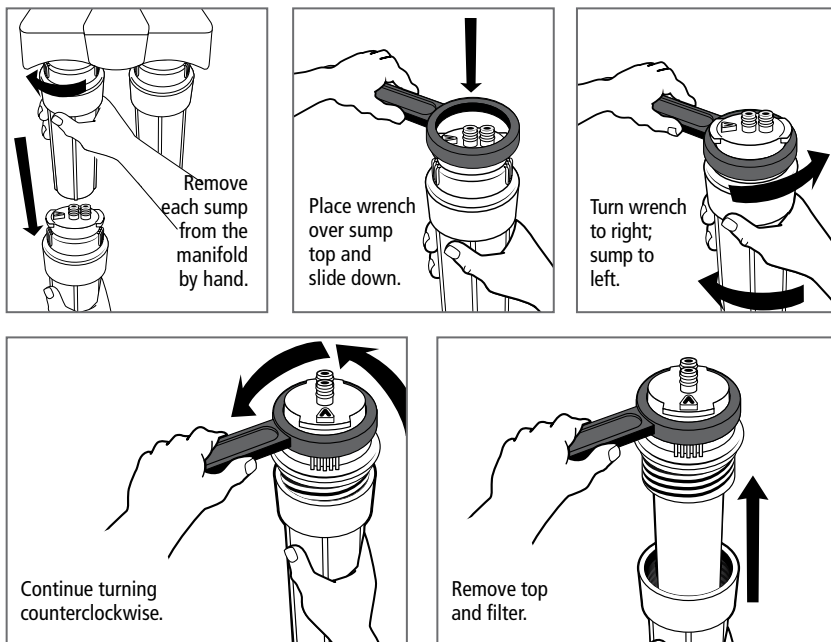
Max operating temperature 90° F (32.22° C)

To clean your filter unit, wipe down the exterior with a damp cloth.

Once filters are at 95% capacity (about every 6 months), the battery alarm will sound and flash red when water is flowing and will continue for 15 seconds once water is turned off. Change the battery every time you replace your filters. The battery is included with the filter replacement cartridges.

Safeguards

- Use only cold water with filter.
- If you experience a hose connection leak, disconnect and re-seat the hose.



WARNING Do not use tools to remove or tighten sumps. Over-tightening can cause damage and result in leaking. **HAND TIGHTEN ONLY.**



Do not use with water that is microbiologically unsafe or of unknown water quality without adequate disinfection before or after the system. Systems certified for cyst reduction may be used on disinfected waters that may contain filterable cysts.

Performance Data Sheet for the A. O. Smith Under Counter Water Filter					
Models	Replacement	Operating pressure range	Rated capacity	Operating temp. range	Rated flow
AOW-2000	AOW-2000-R	20-80 psi 137-551 kPa	500 gallons 1892 Liters	40-90° F 4.44-32.2° C	.05 gpm 1.89 lpm
Manufactured by: A. O. Smith Corporation 11270 West Park Place Milwaukee, WI 53224 833.232.9711					

Testing Performed under NSF/ANSI Standards 42 and 53 and in accordance with the California Department of Health Services Drinking Water Treatment Device Program. This system has been tested according to NSF/ANSI 42, 53, 401 & P473 for reduction of the substances listed below. The concentration of the indicated substances in water entering the system was reduced to a concentration less than or equal to the permissible limit for water leaving the system, as specified in NSF/ANSI 42, 53, 401 & P473.

NSF/ANSI 42	Min Reduction	Overall % Reduction	Results
Chlorine Reduction, Free Available	<0.5 mg/l	97.66%	Pass
Chloramine Reduction, Free Available	<0.5 mg/l	97.66%	Pass
Particulate Reduction	85%	99.9%	Pass

NSF/ANSI 53	Min Reduction	Overall % Reduction	Results
Cyst Live Cryptosporidium & Giardia	99.95%	>99.99%	Pass
Mercury Reduction pH 8.5	<2 ug/L	>95%	Pass
Mercury Reduction pH 6.5	<2 ug/L	>96.5%	Pass
Lead Reduction pH 6.5	<10 ug/L	>99.4%	Pass
Lead Reduction pH 8.5	<10 ug/L	>99.3%	Pass
MTBE Reduction	<5 ug/L	86.6%	Pass
Turbidity	<0.5 NTU	99.1%	Pass
VOC Surrogate Test	95%	99.4%	Pass
Asbestos	99%	>99%	Pass

NSF/ANSI 401	Maximum Concentration	Minimum Reduction	Overall % Reduction	Results
Atenolol	30 ng/L	94.2%	94.2%	Pass
Bisphenol A	300 ng/L	98.80%	98.9%	Pass
Carbamazepine	200 ng/L	98.6%	98.6%	Pass
DEET	200 ng/L	98.7%	98.7%	Pass
Estrone	20 ng/L	96.30%	96.5%	Pass
Ibuprofen	60 ng/L	95.3%	95.4%	Pass
Linuron	20 ng/L	96.6%	96.6%	Pass
Meprobamate	60 ng/L	94.7%	94.7%	Pass
Metolachlor	200 ng/L	98.6%	98.6%	Pass
Naproxen	20 ng/L	96.3%	96.4%	Pass
Nonyl phenol	200 ng/L	97.50%	97.5%	Pass
Phenytol	30 ng/L	95.50%	95.6%	Pass
TCEP	700 ng/L	98%	98%	Pass
TCP	700 ng/L	97.8%	97.8%	Pass
Trimethoprim	20 ng/L	96.7%	96.7%	Pass

NSF P473	Influent challenge concentration	Maximum permissible concentration	Overall % reduction	Results
Perfluorooctanoic acid (PFOA) & Perfluorooctane sulfonate (PFOS)	1.5 ±10% ug/L	0.07 ug/L	96 %	Pass

NSF System Tested and Certified by NSF International against NSF/ANSI Standard 42, 53 & 401 and conforms to NSF protocol P473 for reduction of claims specified on the Performance Data Sheet and at www.nsf.org.

- All contaminants reduced by this filter are listed.
- Not all contaminants listed may be present in your water.
- Does not remove all contaminants that may be present in tap water.

- Filter is only to be used with cold water.
- Filter usage must comply with all state and local laws.
- Testing was performed under standard laboratory conditions, actual performance may vary.
- Systems certified for cyst reduction may be used on disinfected waters that may contain filterable cysts.
- See owner's manual for general installation conditions and needs plus manufacturer's limited warranty.



Organic chemicals included by surrogate testing				
VOCs (by surrogate testing using chloroform)	Drinking water regulatory level (MCL/ MAC) mg/L	Influent/ Unfiltered	Effluent/ Filtered	Percent Reduction
alachlor	0.002	0.050	0.001	>98%
atrazine	0.003	0.100	0.003	>97%
benzene	0.005	0.081	0.001	>99%
carbofuran	0.04	0.190	0.001	>99%
carbon tetrachloride	0.005	0.078	0.0018	98%
chlorobenzene	0.1	0.077	0.001	>99%
chloropicrin	—	0.015	0.0002	99%
2,4-D	0.07	0.110	0.0017	98%
dibromochloropropane (DBCP)	0.0002	0.052	0.00002	>99%
o-dichlorobenzene	0.6	0.080	0.001	>99%
p-dichlorobenzene	0.075	0.040	0.001	>98%
1,2-dichloroethane	0.005	0.088	0.0048	95%
1,1-dichloroethylene	0.007	0.083	0.001	>99%
cis-1,2-dichloroethylene	0.07	0.170	0.0005	>99%
trans-1,2-dichloroethylene	0.1	0.086	0.001	>99%
1,2-dichloropropane	0.005	0.080	0.001	>99%
cis-1,3-dichloropropylene	—	0.079	0.001	>99%
dinoseb	0.007	0.170	0.0002	99%
endrin	0.002	0.053	0.00059	99%
ethylbenzene	0.7	0.088	0.001	>99%
ethylene dibromide (EDB)	0.00005	0.044	0.00002	>99%
haloacetonitriles (HAN)				
bromochloroacetonitrile	—	0.022	0.0005	98%
dibromoacetonitrile	—	0.024	0.0006	98%
dichloroacetonitrile	—	0.0096	0.0002	98%
trichloroacetonitrile	—	0.015	0.0003	98%
haloketenes (HK)				
1,1-dichloro-2-propanone	—	0.0072	0.0001	99%
1,1,1-trichloro-2-propanone	—	0.0082	0.0003	96%
heptachlor (H-34, Heptox)	0.0004	0.025	0.00001	>99%
heptachlor epoxide	0.0002	0.0107	0.0002	98%
hexachlorobutadiene	—	0.044	0.001	>98%
hexachlorocyclopentadiene	0.05	0.060	0.000002	>99%
lindane	0.0002	0.055	0.00001	>99%
methoxychlor	0.04	0.050	0.0001	>99%
pentachlorophenol	0.001	0.096	0.001	>99%
simazine	0.004	0.120	0.004	>97%
styrene	0.1	0.150	0.0005	>99%
1,1,2,2-tetrachloroethane	—	0.081	0.001	>99%
tetrachloroethylene	0.005	0.081	0.001	>99%
toluene	1	0.078	0.001	>99%
2,4,5-TP (silvex)	0.05	0.270	0.0016	99%
tribromoacetic acid	—	0.042	0.001	>98%
1,2,4-trichlorobenzene	0.07	0.160	0.0005	>99%
1,1,1-trichloroethane	0.2	0.084	0.0046	95%
1,1,2-trichloroethane	0.005	0.150	0.0005	>99%
trichloroethylene	0.005	0.180	0.0010	>99%
trihalomethanes (THMs)		Influent/ Unfiltered	Effluent/ Filtered	Percent Reduction
bromodichloromethane (THM)	0.080	0.300	0.015	95%
bromochloroform (THM)				
chloroform (THM)				
chlorodibromomethane (THM)				
xylenes (total)	10	0.070	0.001	>99%

! For use with municipally treated water only. Do not use with water that is microbiologically unsafe or of unknown water quality without adequate disinfection before or after the system.

LIMITED



WARRANTY

What is covered:

This warranty covers defects in materials or workmanship in manufacturing of your A. O. Smith drinking water filter system, except as provided below.

For how long:

This warranty runs for 365 days from the date of purchase by a consumer ("Warranty Period").

What is not covered:

This warranty does not cover filter cartridges and any products that were not installed in compliance with the instructions or that have been abused or operated incorrectly. The limited warranty stated herein is in lieu of any and all warranties, express or implied, whether written or oral, including but not limited to the implied warranties of fitness for a particular purpose or the implied warranty of merchantability. A. O. Smith shall not be liable for any incidental, consequential, special or contingent damages arising directly or indirectly from any defect or the use of the system. Owner shall be responsible for all labor and any other expenses related to the removal, repair or installation of the filtration system or any component part. Finally, this warranty is voided if the product is used with parts that are not genuine A. O. Smith parts. This includes, but is not limited to: replacement filters, faucets, and diverter valves.

What A. O. Smith will do:

We will replace the defective part of the covered product and send it to you upon payment of \$9.50 for shipping and handling per incident.

How to get service:

To receive service under this warranty, you must contact A. O. Smith at 833-232-9711 or watertreatmentpro@aosmith.com within the Warranty Period and describe the problem to a customer service representative who will verify that the product is under warranty and arrange for delivery of a replacement part.

How state law applies:

This warranty gives you specific rights but you may have other rights which vary from state to state.

Some states do not allow the exclusion or limitation of implied warranties or incidental or consequential damages, so the above limitation or exclusion may not apply to you.



A. O. Smith diseñó, creó y construyó este sistema de filtración para durar. Cuenta con la filtración Claryum® que disminuye los contaminantes dañinos, aquellos que puede y no puede ver, oler y sentir su sabor, sin usar aditivos químicos o aguas residuales. Sin importar para qué necesite el agua, para hidratarse, cocinar, para el café de la mañana, los batidos o una sopa, ahora tendrá agua filtrada.

Conserve este manual del propietario como referencia para la instalación, resolución de problemas e información de cambio del filtro.

AOW-2000 SISTEMA BAJO EL FREGADERO DE 2 ETAPAS

TABLE DE CONTENIDO

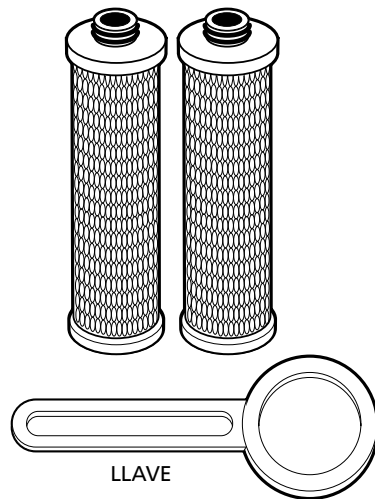
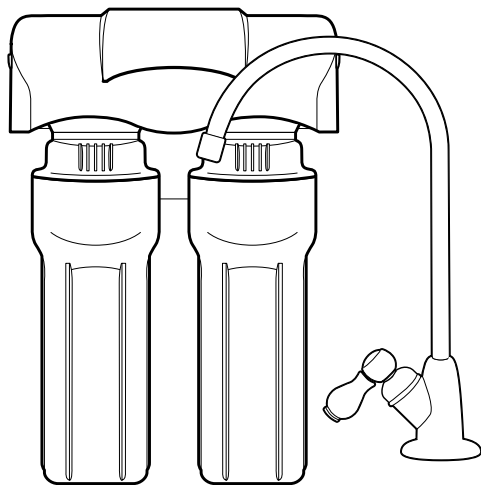
Contenido de la caja	8
Guía de instalación.....	9-10
Cuidado y mantenimiento.....	11
Hoja de datos de rendimiento	12
Garantía	13



UNIDAD DE FILTRADO AOW-2000

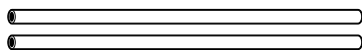
LLAVE

CARTUCHOS DE FILTRO (2)



A T DE LATÓN DE 1/4" TUBERÍAS DE POLIETILENO DE 0.9 M X 0.6 CM (3" X 1/4") (2)

F ARANDELA DE GOMA DE LA LLAVE



G SEPARADOR DE LA LLAVE

C TUERCA DE LATÓN

H ARANDELA DE LA LLAVE

D COLLARÍN PLÁSTICO

I TUERCA DE LA LLAVE

E INSERTO DE TUBO DE LATÓN

J TUERCA DE CROMO

K TORNILLOS CON ANCLAJES (2)

L INSERTO PLÁSTICO DE TUBO

Lea todo el manual antes de la instalación para asegurarse de que todas las piezas indicadas estén presentes.

Herramientas recomendadas para la instalación:

- Taladro de varias velocidades con una broca de 7/32"
- Llave ajustable
- Cinta métrica
- Cubeta
- Destornillador Phillips
- Martillo

La llave se puede montar en el fregadero en un orificio existente para una boquilla pulverizadora o un dispensador de jabón o puede perforar un orificio de no más de 1.3 cm (1/2") de diámetro. Asegúrese de que la ubicación de la llave permita que el conducto se extienda levemente más allá del borde del fregadero.

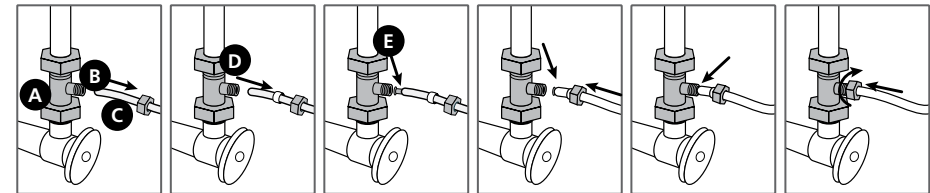
Nota: Recomendamos llamar a un profesional autorizado o certificado si es que se necesita perforar.



1 Apague y desconecte el suministro de agua fría.



2 Conecte los extremos roscados de la T de latón incluida a la tubería de suministro de agua fría y a la válvula de cierre. Apriete con una llave ajustable.

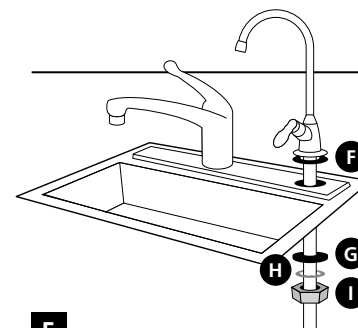


3

Conecte una tubería de polietileno a la T de latón: deslice la tuerca de compresión en la tubería (con las roscas de la tubería orientadas hacia el extremo del tubo). Luego, deslice el manguito en el tubo. Coloque el inserto de latón en la abertura del tubo. Empuje la punta del tubo hacia la abertura de la T de latón. Mientras sostiene el tubo en su lugar dentro de la T de latón, apriete la tuerca de compresión para comprimir el manguito de plástico y crear un sello.



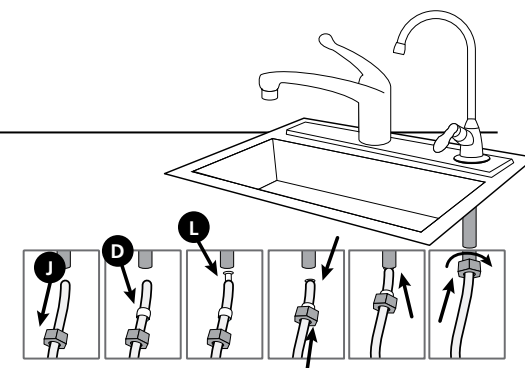
Nota: Evite apretar demasiado.



4 **Instalación de la llave:** Realice la instalación como se muestra. Apriete la tuerca de la llave (I) para fijar la llave al fregadero.

5

Conexión de la llave: Deslice la tuerca de cromo en el tubo y después el collarín blanco para conectar la manguera de salida a la base de la llave. Coloque el inserto blanco en el extremo del tubo. Presione el tubo contra la base de la llave y deslice la tuerca y el collarín hasta las roscas. Use una llave para asegurarse de que el sello está apretado lo suficiente.



Nota: Evite apretar demasiado.



Instalación de la unidad: Seleccione un espacio debajo del fregadero para la unidad de filtrado que esté al menos a 7.62 cm (3") desde la parte inferior hasta su gabinete y deje un acceso fácil para el suministro de agua fría y los repuestos del filtro. Use los orificios de montaje ubicados en la parte posterior de la unidad para marcar en la pared las ubicaciones de los tornillos.

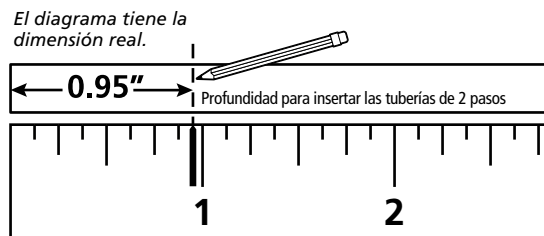
Nota: La distancia del orificio de centro a centro es de 6.5 cm (2.55").

Use una broca de 7/32" para perforar orificios para los anclajes de plástico. Con cuidado, golpee los anclajes con un martillo en el orificio perforado. Monte la unidad a la pared con tornillos. Tire de la banda plástica de protección del compartimento de la batería. La luz LED de color rojo debe parpadear y sonar cinco (5) veces para indicar que la batería está instalada correctamente.



Fije cada sumidero en la parte posterior de la carcasa de la unidad. Alinee los puntos de conexión, empuje los sumideros hacia arriba y gírelos a la derecha.

Nota: Asegúrese de que el sumidero esté fijo.



Conecte las tuberías de suministro: Inserte la tubería del conector en T en el costado de la entrada e inserte la tubería de la llave en el costado de la salida. Use el diagrama para marcar la profundidad de la tubería con el fin de garantizar que los haya insertado por completo. Es **MUY IMPORTANTE** insertar la tubería por completo para que no haya filtraciones.

CONSEJOS

- Inserte la tubería por completo (2.4 cm [0.95"]) para evitar filtraciones.
- Humedezca el extremo de la tubería para instalar fácilmente en las entradas y salidas.
- Corte el exceso de la tubería para prevenir grietas, torceduras, curvas o pliegues.

Revise que no haya filtraciones y que la instalación sea correcta: Abra el agua fría. Coloque una toalla debajo de la unidad de filtrado y revise si hay filtraciones. Deje que el agua corra por 10 minutos.

Nota: Nunca use aceites para lubricar las juntas tóricas; ya vienen lubricadas.



AOW-2000

Cartucho de repuesto AOW-2000-R

Flujo nominal del servicio 1.9 L/m (0.5 gpm)

Capacidad máxima de 1.893 litros (500 galones)

Presión mín. de funcionamiento 1.40 kg/cm² (20 psi)

Presión máx. de funcionamiento 5.62 kg/cm² (80 psi)

Temperatura mín. de funcionamiento 4.44 °C (40 °F)

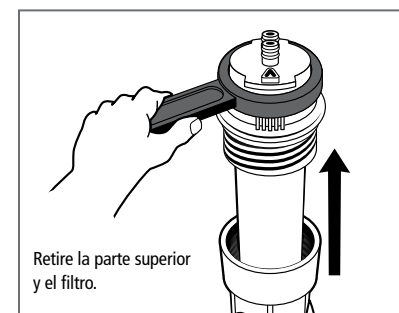
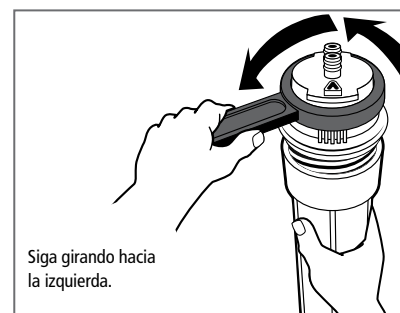
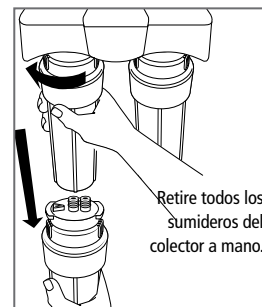
Temperatura máx. de funcionamiento 32.22 °C (90 °F)

Para limpiar la unidad de filtrado, limpie el exterior con un paño húmedo.

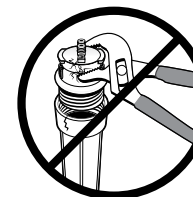
Cuando los filtros estén en un 95 % de su capacidad (cada 6 meses aproximadamente), la alarma de la batería sonará y parpadeará una luz roja cuando se esté derramando el agua y seguirá por 15 segundos hasta que se cierre el agua. Cambie la batería cada vez que cambie los filtros. La batería viene incluida con los cartuchos filtrantes de repuesto.

Resguardos

- Use solo agua fría con el filtro.
- Si tiene una filtración en la conexión de la manguera, desconéctela y vuelva a fijar la manguera.



ADVERTENCIA No use herramientas para retirar o apretar los sumideros. Apretar en exceso puede causar daños y generar filtraciones. **SOLO APRIETE CON LA MANO.**



No usar con agua que no sea microbiológicamente segura o cuya calidad sea desconocida sin la desinfección previa o posterior adecuada del sistema. Es posible usar sistemas certificados para la reducción de quistes en aguas desinfectadas que puedan tener quistes filtrables.



Hoja de datos de rendimiento del filtro de agua para debajo del mostrador de A. O. Smith					
Modelos	Repuesto	Rango de presión de funcionamiento	Capacidad nominal	Rango de temp. de funcionamiento	Flujo nominal
AOW-2000	AOW-2000-R	137-551 kPa 20 a 80 psi	1.893 litros (500 galones)	4.44 a 32.2 °C 40 a 90 °F	1.9 L/m (0.5 gpm)
Fabricado por: A. O. Smith Corporation 11270 West Park Place Milwaukee, WI 53224					



Pruebas realizadas conforme a las normas NSF/ANSI 42 y 53 según el Programa de Dispositivos de Tratamiento de Agua Potable del Departamento de Servicios de Salud de California. Este sistema se probó conforme a las normas NSF/ANSI 42, 53, 401 y P473 para la reducción de las sustancias que se indican más adelante. Se redujo la concentración de las sustancias indicadas en el agua que entra al sistema a una concentración menor o igual al límite permitido para el agua que sale del sistema, según se especifica en las normas NSF/ANSI 42, 53, 401 y P473.

NSF/ANSI 42	Reducción mínima	Porcentaje total de reducción	Resultados
Chlorine Reduction, Free Available	<0.5 mg/l	97.66%	Aprobado
Chloramine Reduction, Free Available	<0.5 mg/l	97.66%	Aprobado
Particulate Reduction	85 %	99.9%	Aprobado

NSF/ANSI 53	Reducción mínima	Porcentaje total de reducción	Resultados
Cyst Live Cryptosporidium & Giardia	99.95 %	>99.99 %	Aprobado
Mercury Reduction pH 8.5	<2 ug/L	>95%	Aprobado
Mercury Reduction pH 6.5	<2 ug/L	>96.5%	Aprobado
Lead Reduction pH 6.5	<10 ug/L	>99.4%	Aprobado
Lead Reduction pH 8.5	<10 ug/L	>99.3%	Aprobado
MTBE Reduction	<5 ug/L	86.6%	Aprobado
Turbidity	<0.5 NTU	99.1%	Aprobado
VOC Surrogate Test	95%	99.4%	Aprobado
Asbestos	99%	>99%	Aprobado

NSF/ANSI 401	Concentración máxima	Reducción mínima	Porcentaje total de reducción	Resultados
Atenolol	30 ng/L	94.2%	94.2%	Aprobado
Bisphenol A	300 ng/L	98.80%	98.9%	Aprobado
Carbamazepine	200 ng/L	98.6%	98.6%	Aprobado
DEET	200 ng/L	98.7%	98.7%	Aprobado
Estrone	20 ng/L	96.30%	96.5%	Aprobado
Ibuprofen	60 ng/L	95.3%	95.4%	Aprobado
Linuron	20 ng/L	96.6%	96.6%	Aprobado
Meprobamate	60 ng/L	94.7%	94.7%	Aprobado
Metolachlor	200 ng/L	98.6%	98.6%	Aprobado
Naproxen	20 ng/L	96.3%	96.4%	Aprobado
Nonyl phenol	200 ng/L	97.50%	97.5%	Aprobado
Phenytol	30 ng/L	95.50%	95.6%	Aprobado
TCPE	700 ng/L	98%	98%	Aprobado
TCPP	700 ng/L	97.8%	97.8%	Aprobado
Trimethoprim	20 ng/L	96.7%	96.7%	Aprobado

NSF P473	Concentración de riesgo de ingreso	Concentración máxima permitida	Porcentaje total de reducción	Resultados
Perfluoroacetic acid (PFOA) & Perfluoroacetic sulfonate (PFOS)	1.5 ±10 % ug/L	0.07 ug/L	96%	Aprobado

NSF Sistema probado y certificado por NSF International según las normas NSF/ANSI 42, 53 y 401, y conforme al protocolo P473 de NSF para la reducción de las declaraciones especificadas en la Hoja de datos de rendimiento y en www.nsf.org.

- Se indican todos los contaminantes que reduce este filtro.
- Es posible que no todos los contaminantes indicados estén presentes en su agua.
- No elimina todos los contaminantes que pueden estar presentes en el agua de la llave.

- El filtro solo se debe usar con agua fría.
- Es posible usar sistemas certificados para la reducción de quistes en aguas desinfectadas que puedan tener quistes filtrables.
- El uso del filtro debe cumplir con todas las leyes estatales y locales.
- Las pruebas se realizaron en condiciones de laboratorio estándar, el rendimiento real puede variar.
- Consulte el manual del propietario para conocer las condiciones y necesidades generales de instalación más la garantía limitada del fabricante.

Productos químicos orgánicos incluidos por la prueba de sustitutos					
COV (según la prueba de sustitutos con el uso de cloroformo)	Nivel normativo de agua potable (NMC/CMA) mg/L	Entrante/ Sin filtrar	Saliente/ Filtrada	Porcentaje de reducción	
alacolor	0.002	0.050	0.001	>98 %	
atrazine	0.003	0.100	0.003	>97 %	
benzene	0.005	0.081	0.001	>99 %	
carbolfuran	0.04	0.190	0.001	>99 %	
carbon tetrachloride	0.005	0.078	0.0018	98 %	
chlorobenzene	0.1	0.077	0.001	>99 %	
chlorpicrin	—	0.015	0.0002	99 %	
2,4-D	0.07	0.110	0.0017	98 %	
dibromochloropropane (DBCP)	0.0002	0.052	0.00002	>99 %	
o-dichlorobenzene	0.6	0.080	0.001	>99 %	
p-dichlorobenzene	0.075	0.040	0.001	>98 %	
1,2-dichloroethane	0.005	0.088	0.0048	95 %	
1,1-dichloroethylene	0.007	0.083	0.001	>99 %	
cis-1,2-dichloroethylene	0.07	0.170	0.0005	>99 %	
trans-1,2-dichloroethylene	0.1	0.086	0.001	>99 %	
1,2-dichloropropane	0.005	0.080	0.001	>99 %	
cis-1,3-dichloropropylene	—	0.079	0.001	>99 %	
dinoseb	0.007	0.170	0.0002	99 %	
endrin	0.002	0.053	0.0059	99 %	
ethylbenzene	0.7	0.088	0.001	>99 %	
ethylene dibromide (EDB)	0.00005	0.044	0.00002	>99 %	
haloacetnitrilos (HAN)					
bromochloroacetnitrile	—	0.022	0.0005	98 %	
dibromoacetnitrile	—	0.024	0.0006	98 %	
dichloroacetnitrile	—	0.0096	0.0002	98 %	
trichloroacetnitrile	—	0.015	0.0003	98 %	
haloquetones (HK)					
1,1-dichloro-2-propanone	—	0.0072	0.0001	99 %	
1,1,1-trichloro-2-propanone	—	0.0082	0.0003	96 %	
heptachlor (H-34, Heptox)	0.0004	0.025	0.00001	>99 %	
heptachlor epoxide	0.0002	0.0107	0.0002	98 %	
hexachlorobutadiene	—	0.044	0.001	>98 %	
hexachlorocyclopentadiene	0.05	0.060	0.000002	>99 %	
lindane	0.0002	0.055	0.00001	>99 %	
methoxychlor	0.04	0.050	0.0001	>99 %	
pentachlorophenol	0.001	0.096	0.001	>99 %	
simazine	0.004	0.120	0.004	>97 %	
styrene	0.1	0.150	0.0005	>99 %	
1,1,2,2-tetrachloroethane	—	0.081	0.001	>99 %	
tetrachloroethylene	0.005	0.081	0.001	>99 %	
toluene	1	0.078	0.001	>99 %	
2,4,5-TP (silvex)	0.05	0.270	0.0016	99 %	
tribromoacetic acid	—	0.042	0.001	>98 %	
1,2,4-trichlorobenzene	0.07	0.160	0.0005	>99 %	
1,1,1-trichloroethane	0.2	0.084	0.0046	95 %	
1,1,2-trichloroethane	0.005	0.150	0.0005	>99 %	
trichloroethylene	0.005	0.180	0.0010	>99 %	
trihalometanos (THMs)					
bromodichloromethane (THM)					
bromoform (THM)					
chloroform (THM)	0.080	0.300	0.015	95 %	
chlorodibromomethane (THM)					
xilenos (total)	10	0.070	0.001	>99 %	

Solo para uso con agua tratada localmente. No usar con agua que no sea microbiológicamente segura o cuya calidad sea desconocida sin la desinfección previa o posterior adecuada del sistema.

GARANTÍA

1 AÑO

LIMITADA

Lo que está cubierto:

Esta garantía cubre defectos en materiales o en la mano de obra de la fabricación de sus sistemas de filtrado de agua potable de A. O. Smith, salvo según se estipula a continuación.

Duración:

Esta garantía dura 365 días a partir de la fecha de compra por parte del consumidor ("Período de garantía").

Lo que no está cubierto:

Esta garantía no cubre cartuchos filtrantes y ningún producto que se haya instalado sin cumplir con las instrucciones o que se haya abusado u operado de manera incorrecta. La garantía limitada que se indica en este documento reemplaza cualquiera y todas las garantías, expresas o implícitas, ya sea por escrito o en forma oral, lo que incluye, entre otras, las garantías implícitas de idoneidad para un propósito en particular o la garantía implícita de comerciabilidad. A. O. Smith no será responsable por ningún daño indirecto, emergente, especial o contingente que surja directa o indirectamente de cualquier defecto o uso del sistema. El propietario será responsable por toda la mano de obra y cualquier otro gasto relacionado con el retiro, reparación o instalación del sistema de filtración o de cualquier pieza componente. Por último, se anulará esta garantía si el producto se usa con piezas que no sean originales de A. O. Smith. Esto incluye, entre otros, filtros de repuesto, llaves y válvulas de cambio.

Lo que A. O. Smith hará:

Reemplazaremos la pieza defectuosa del producto cubierto y se la enviaremos después del pago de USD 9.50 por el envío y manipulación por incidente.

Cómo obtener el servicio:

Cómo obtener el servicio: Para recibir el servicio conforme a esta garantía, debe comunicarse con A. O. Smith por correo electrónico a watertreatmentpro@aosmith.com dentro del Período de garantía y describir el problema a un representante de servicio al cliente, el que verificará que el producto esté cubierto por la garantía y programará el envío de un repuesto.

Cómo se aplica la ley estatal:

Esta garantía otorga derechos específicos, pero es posible que tenga otros derechos que varían según el estado.

Algunos estados no permiten la exclusión o limitación de garantías implícitas o de daños indirectos o consecutivos, por lo que es posible que la limitación anterior no le corresponda.



The recommended replacement frequency for the AOW-2000 2-Stage Under Sink System is every 6 months or every 500 gallons of use.

La frecuencia de cambio recomendada para el sistema bajo el fregadero de 2 etapas AOW-2000 es cada 6 meses o cada 1893 litros (500 galones) de uso.

Get the most out of your filter by using only genuine A. O. Smith replacements.

Visit www.aosmith.com/wholesale to find replacements or call 833.232.9711 to speak to a Wholesale Representative.

Aproveche al máximo su filtro con los repuestos originales de A. O. Smith.

This filter system is designed and tested for use with genuine A. O. Smith parts, including replacement filters, faucet and all hardware. Use of parts from other manufacturers may result in loss of contaminant reduction performance, system damage or failure. Use of parts from other manufacturers will also void your warranty. Please visit www.aosmith.com/wholesale for replacement parts. Installation must comply with state and local ordinances.

A. O. Smith is not liable for consequential or incidental damages due to improper installation.

Este sistema de filtrado está diseñado y probado para ser usado con piezas originales de A. O. Smith, lo que incluye los filtros, la llave y todas las piezas metálicas de repuesto. El uso de piezas de otros fabricantes puede generar una pérdida en el rendimiento de la reducción de contaminantes, dañar el sistema o causar fallas. El uso de piezas de otros fabricantes también anulará su garantía. Visite www.aosmith.com/wholesale para ver los repuestos. La instalación debe cumplir con las ordenanzas estatales y locales.

A. O. Smith no se hace responsable por daños indirectos o emergentes a causa de una instalación incorrecta.



System Tested and Certified by NSF International against NSF/ANSI Standards 42, 53, & 401 and conforms to NSF protocol P473 for the reduction of the claims specified on the performance data sheet and at www.nsf.org.

Sistema probado y certificado por NSF International según las normas NSF/ANSI 42, 53 y 401, y conforme al protocolo P473 de NSF para la reducción de las declaraciones especificadas en la Hoja de datos de rendimiento y en www.nsf.org.

AOW-2000_install_20190313