

ASSEMBLY AND INSTALLATION INSTRUCTIONS

352-8112

WARNING: BE SURE TO SHUT OFF POWER AT THE MAIN FUSE OR CIRCUIT BREAKER BOX BEFORE INSTALLING OR SERVICING THIS FIXTURE.

**NOTE: 1. Before installing, consult local electrical codes for wiring and grounding requirements.
2. Customer Service: 1-800-887-6326 (weekdays 9 a.m. – 5 p.m. CST)
3. READ AND SAVE THESE INSTRUCTIONS.**

1. Thread two screws to the mounting strap, and secure with two lock nuts. Adjust the length of the screws if necessary.
2. Attach the mounting strap to outlet box by using two mounting screws.
3. Adjust the arms of the fixture.

a. The arms should be positioned with equal distances between them.

b. The arms should be fixed securely.

4. Pull out the outlet wires and the house grounding wire from the outlet box. Make wire connections using the wire nuts:

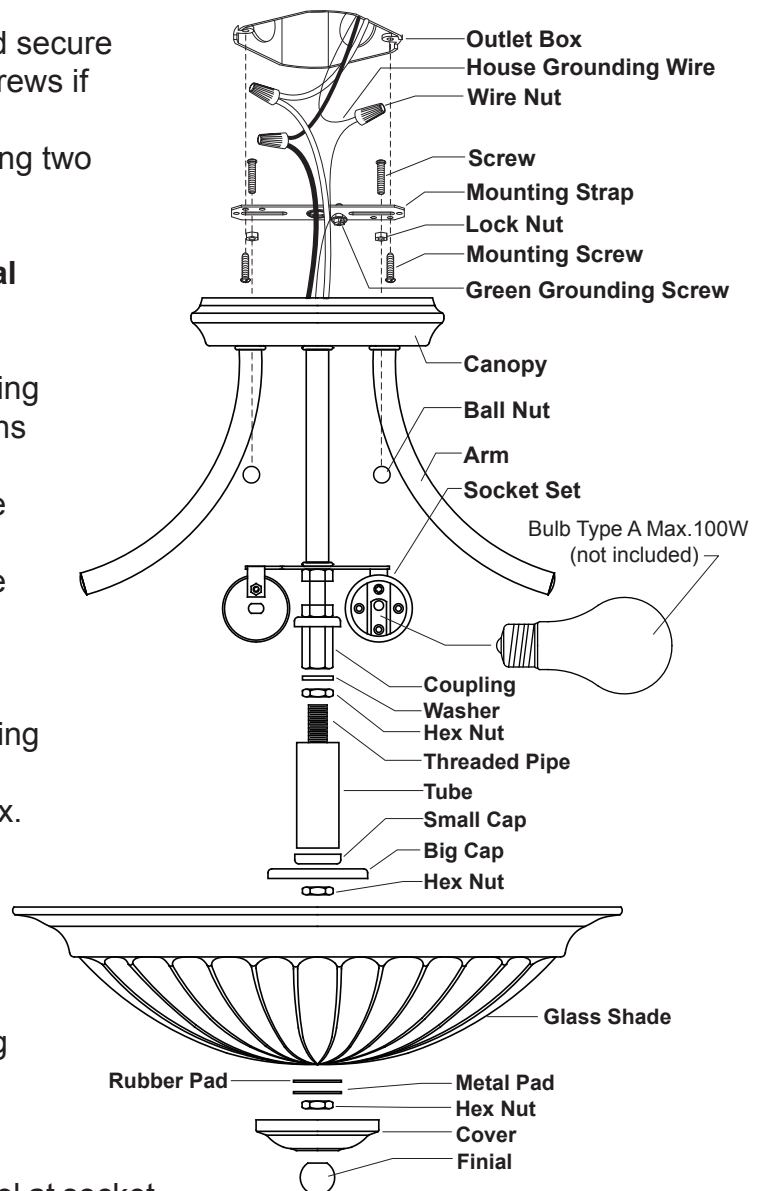
---The black wire from fixture to the black wire from power source.

---The white wire from fixture to the white wire from power source.

---Attach the fixture grounding wire to the mounting strap with the green grounding screw. Then connect it to the house grounding wire with the wire nut.

Carefully put the wires back into the outlet box.

5. Attach the canopy to the mounting strap by inserting the screws, and secure it with two ball nuts.
6. Screw the threaded pipe into the coupling, secure it with a washer and hex nut. Then slip a tube, small cap with the open side facing upward, big cap with the open side facing downward through the threaded pipe, secure them with a hex nut.
7. Install bulbs (not included). See relamping label at socket area or packaging for maximum allowed wattage.
8. Slide the glass shade along the long threaded pipe until it checks with the big cap, secure it with a rubber pad, metal pad and hex nut.
9. Slide the cover up to the glass shade, secure it with finial.
10. Turn on the power at the main fuse or circuit breaker box.



5-YEAR LIMITED WARRANTY:

This Patriot Lighting fixture carries a limited warranty against defects in material or workmanship. If the Patriot Lighting product fails at any time within five (5) years after the original date of sale due to defects in material or workmanship, return the product to Menards with the original sales receipt. At its discretion, Patriot Lighting will replace the defective fixture with the same or similar fixture or issue a refund. This warranty and any implied warranty (including but not limited to any implied warranty of merchantability or fitness for a particular purpose) does not cover glass globes, light bulbs and other expendable items. This warranty excludes coverage of finish or color against tarnishing, flaking, and discoloration. If the original purchaser ceases to own the Patriot Lighting product this warranty and any implied warranty will be void. This warranty does not cover damage caused by misuse or abuse, including but not limited to improper installation, improper usage, accident, negligence, unauthorized repair, unauthorized modifications, or unauthorized maintenance of the fixture. This warranty does not include reimbursement for inconvenience, installation, setup time, returned shipping charges or defects, losses, labor, injuries to personal property.

This warranty gives the consumer specific legal rights, and the consumer may have other rights which vary from state to state. The seller's employees are not qualified to advise on the use of the the fixture. Any oral representations made will not be binding on seller or its employees.

For questions regarding this product, call toll-free at 1-800-887-6326.