



# EW-DX EM 2 Dante

# EW-DX EM 4 Dante

Network connection guide



## Information

The EW-DX EM2 Dante and EW-DX EM 4 Dante receivers are equipped with a versatile network interface, featuring selectable networking modes for flexible signal routing. Further details on the network modes of the devices can be found on the following pages.

In compact network systems involving a small amount of receiver devices, the single cable mode is the most appropriate. This streamlined mode simplifies the setup and reduces the amount of cabling required.

For larger, more expansive network configurations, the Split or Redundancy mode is recommended. This mode divides the protocol, providing a safeguard against potential network failures and ensuring uninterrupted performance.

When integrating multiple switches into your network, it's important to carefully consider the potential impact on network performance. Poor design could lead to broadcast storms, which can significantly disrupt network operations. The outcome largely depends on the types of switches used within the network.

For comprehensive guidelines on configuring and setting up the entire network and peripheral devices, please refer to the documentation of audio and software applications.

- ▷ First set the network connection in the devices, see „Set the network mode“.
- ▷ Please note the assignment of the sockets and the example cabling on the following pages. The following variant examples do not show all cabling options.
- ▷ Then attach the cables.



For information about the Dante Controller and Dante Protocol settings, please visit the Audinate website:

[www.audinate.com](http://www.audinate.com)



For information about the use of client software, please visit the Sennheiser website:

[www.sennheiser.com](http://www.sennheiser.com)



## Set the network mode

To change the network connection open the **Network Mode** menu item:

- ▷ In the System menu, navigate to the **Network** menu item.



- ▷ Press the **jog dial** to open the menu.
- ▷ Select the **Network Mode** menu item.



You can make the following settings here:

- **EW-DX EM 2 Dante:**
  - Single Cable
  - Split Mode 1
  - Split Mode 2
  - Redundancy Mode
- **EW-DX EM 4 Dante:**
  - Single Cable
  - Split Mode
  - Redundancy Mode



# EW-DX EM 2 Dante network connection guide

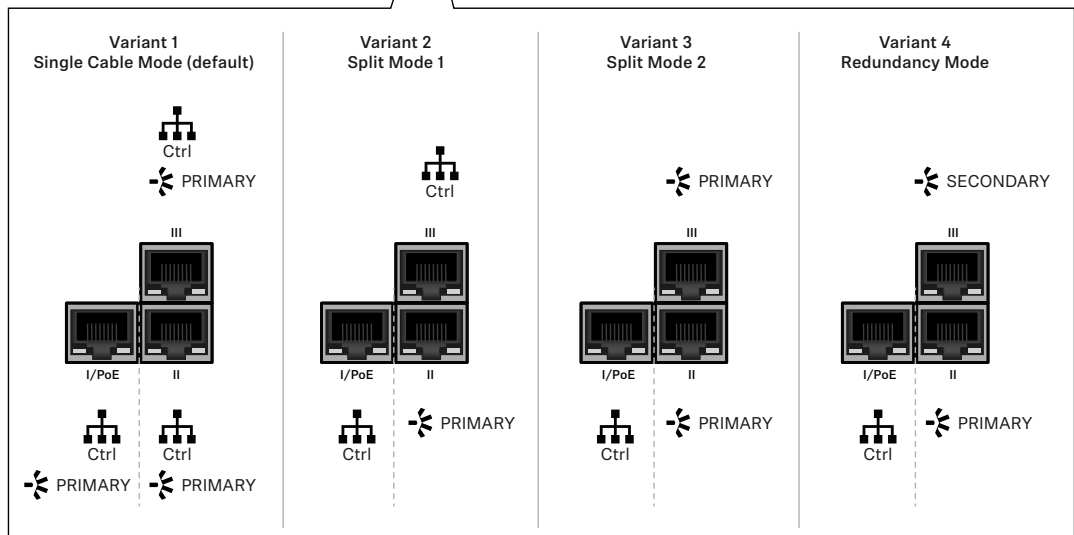
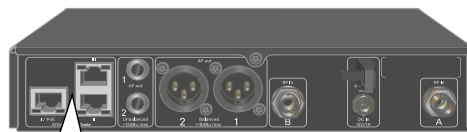
## Assignment of the sockets

PoE = Power over Ethernet

Ctrl = Network control for e. g. Wireless Systems Manager (WSM), Sennheiser Control Cockpit (SCC) or 3rd party media control

PRIMARY = Dante primary

SECONDARY = Dante secondary



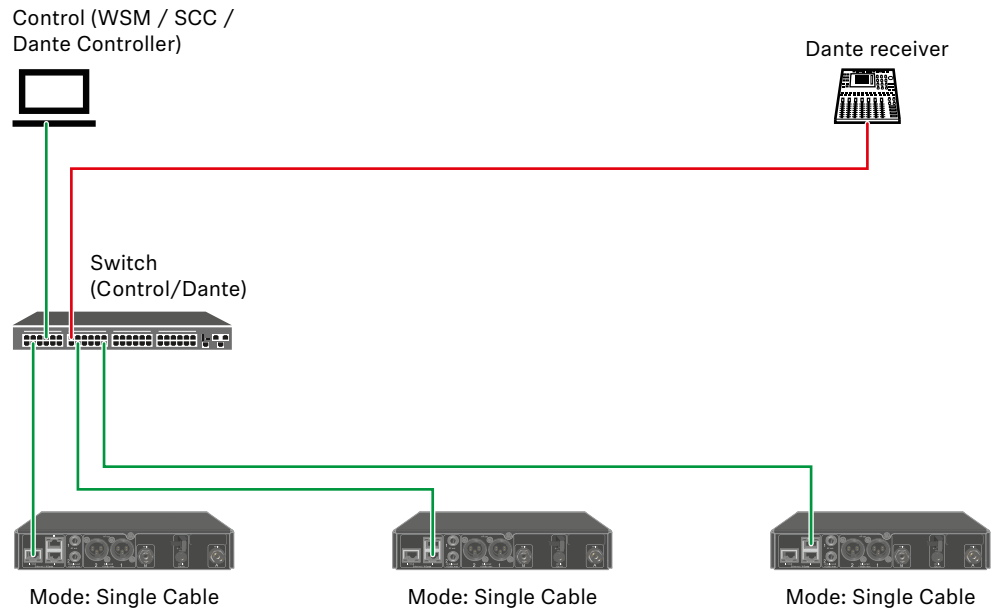


# Connections and mode settings

## Single Cable Mode

### Default

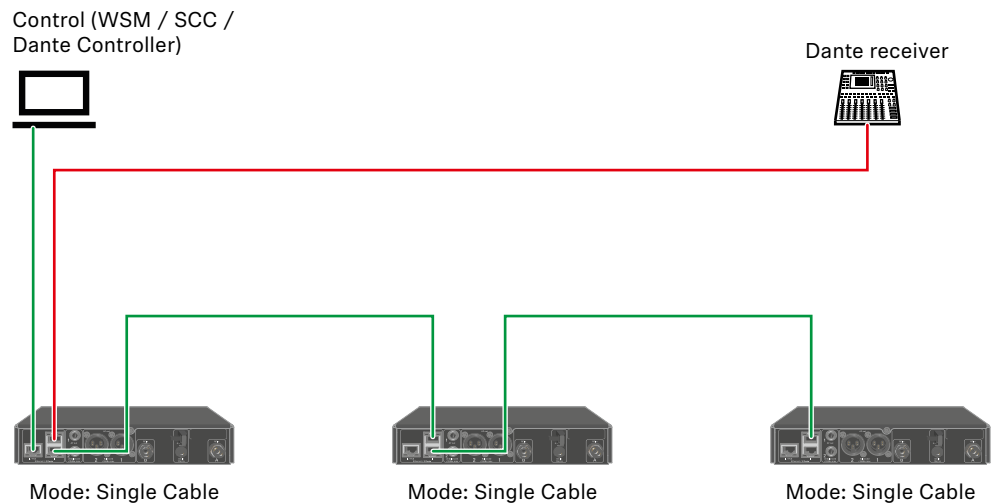
- Control/Dante primary
- Dante primary



**i** The cable can be connected to socket I, II or III.

### Daisy-chain

- Control/Dante
- Dante

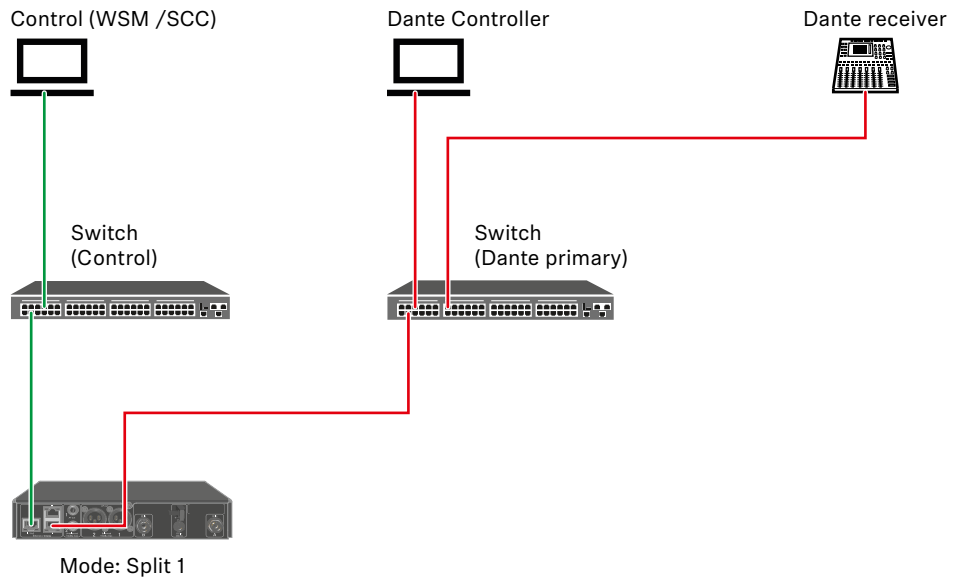




## Split Mode 1

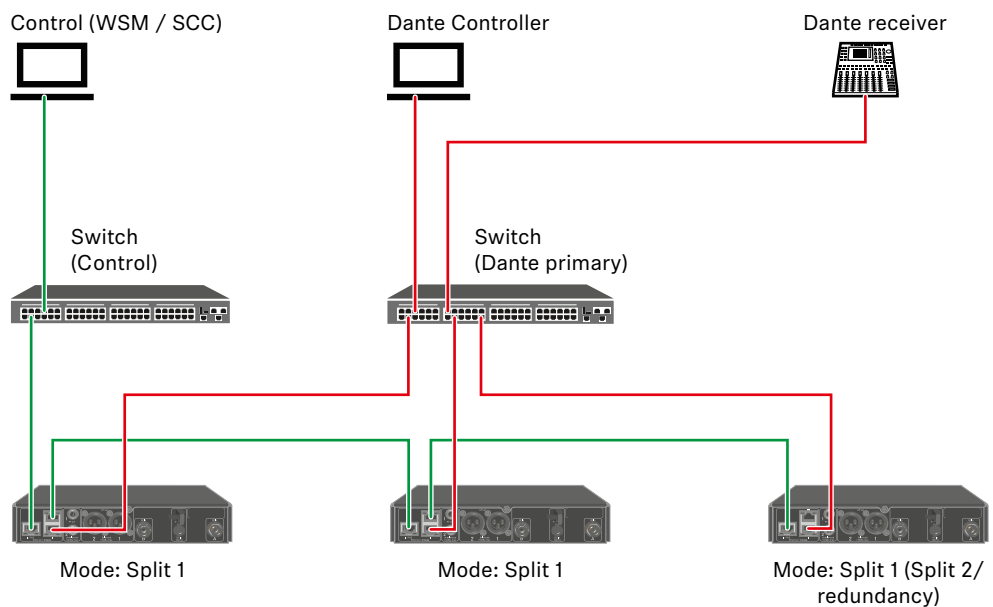
### Split 1 without daisy-chain

— Control  
— Dante primary



### Split 1 with daisy-chain

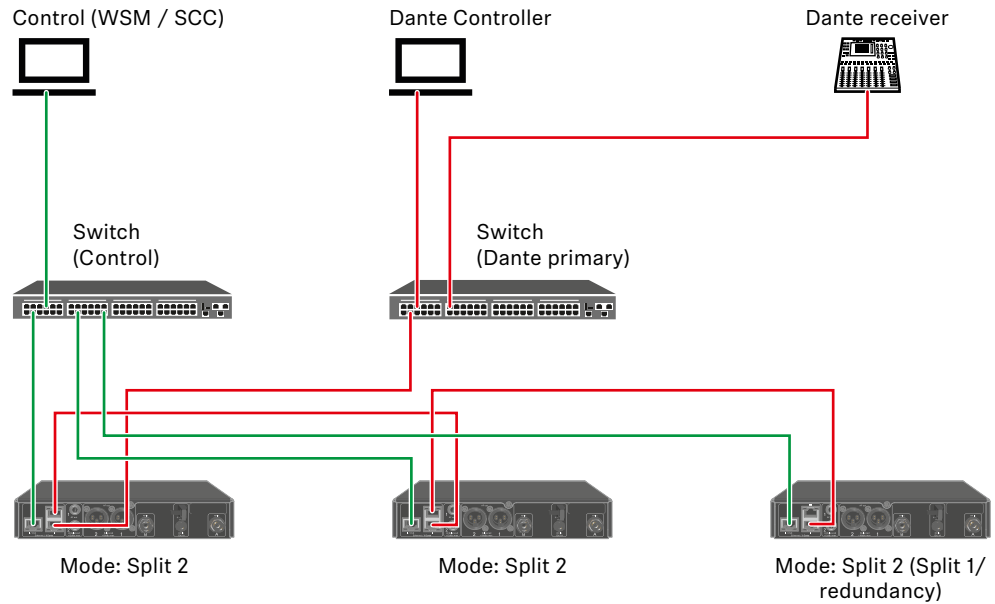
— Control  
— Dante primary





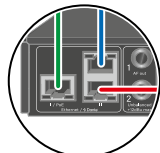
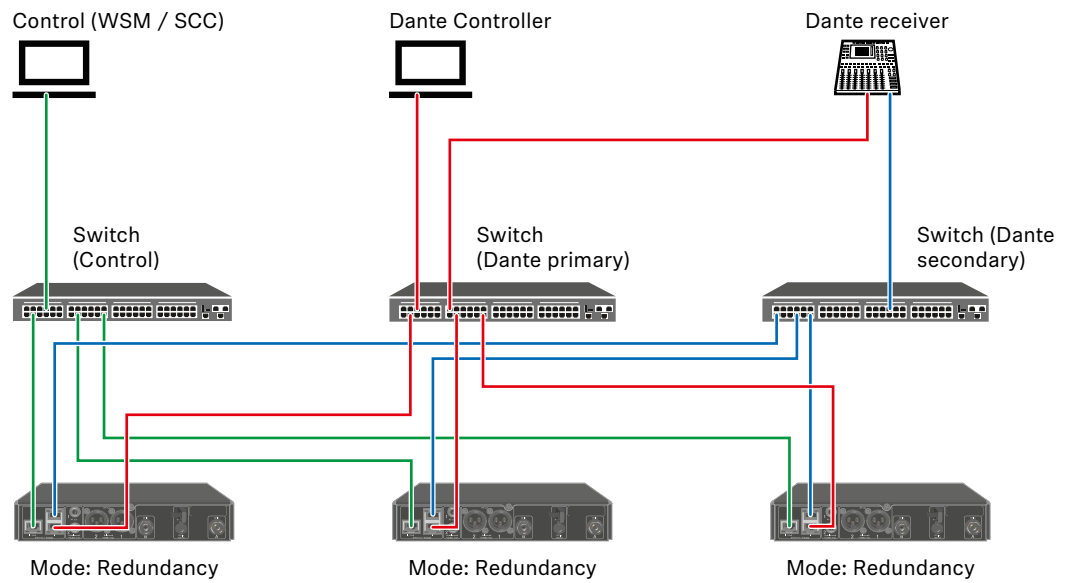
## Split Mode 2

- Control
- Dante primary



## Redundancy Mode

- Control
- Dante primary
- Dante secondary





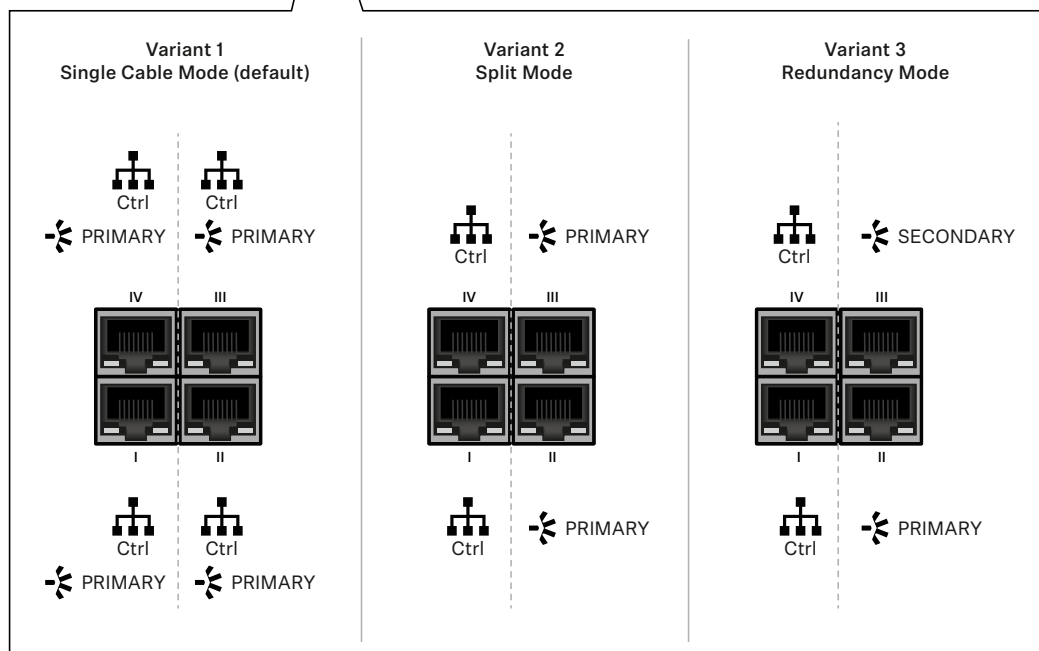
# EW-DX EM 4 Dante network connection guide

## Assignment of the sockets

Ctrl = Network control for e. g. Wireless Systems Manager (WSM), Sennheiser Control Cockpit (SCC) or 3rd party media control

PRIMARY = Dante primary

SECONDARY = Dante secondary



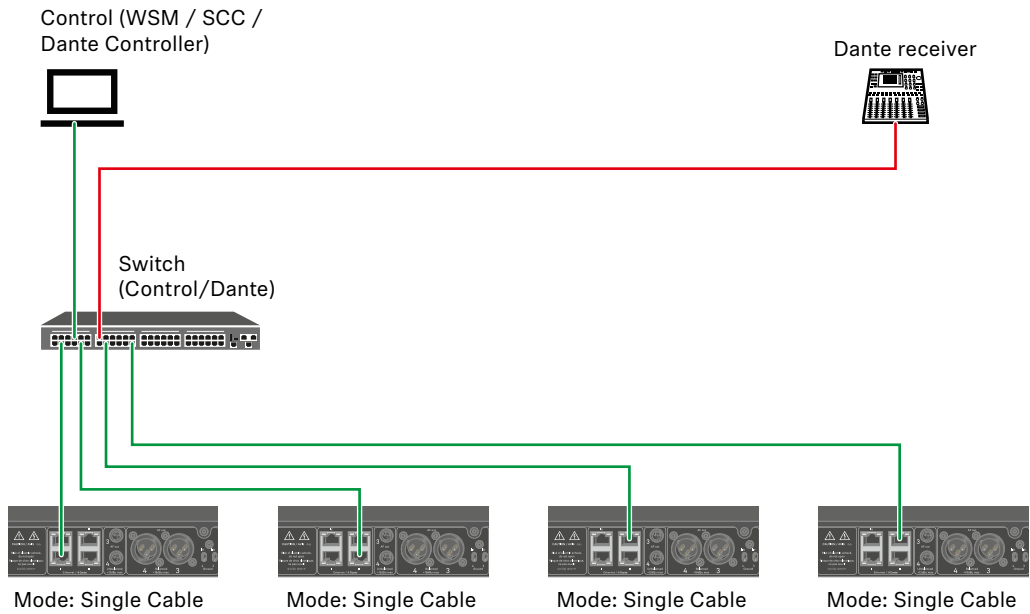


# Connections and mode settings

## Single Cable Mode

### Default

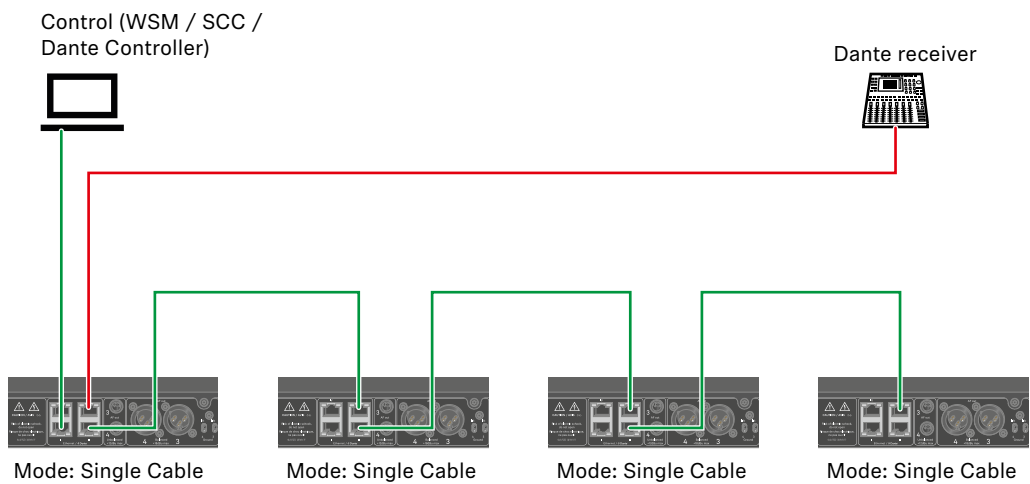
- Control/Dante primary
- Dante primary



**i** The cable can be connected to socket I, II, III or IV.

### Daisy-chain

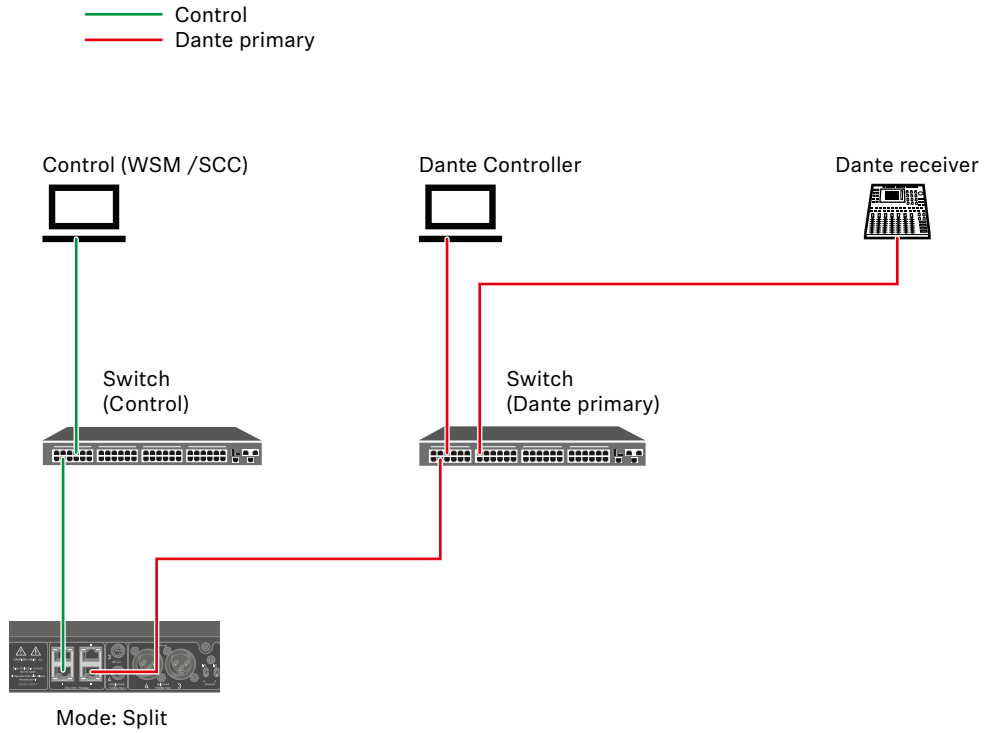
- Control/Dante
- Dante



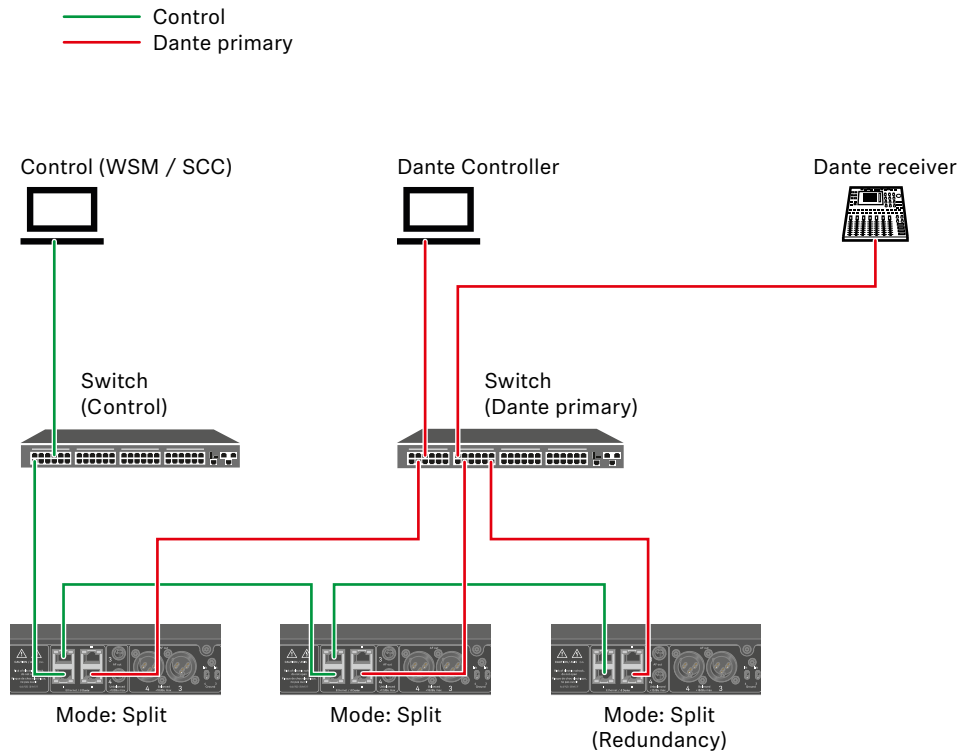


## Split Mode

### Split without daisy-chain



### Split with daisy-chain





## Redundancy Mode

- Control
- Dante primary
- Dante secondary

