

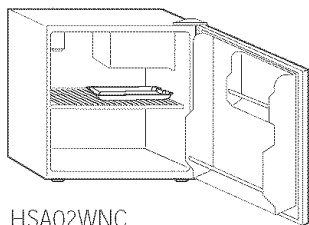
# Compact Refrigerator

---

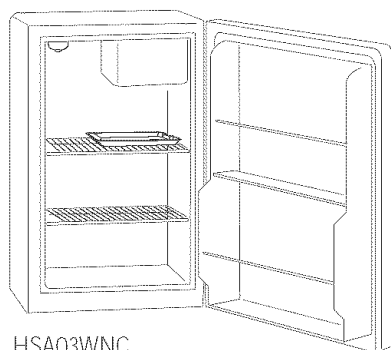
## Refrigerateur Condense

---

## Refrigerador Compacto



HSA02WNC



HSA03WNC



HSA04WNC

User Manual model  
HSA02WNC  
HSA03WNC  
HSA04WNC

## SAFETY PRECAUTIONS

Read all of the instructions before using this appliance. When using this appliance, always exercise basic safety precautions, including the following:

- 1) Use this appliance only for its intended purpose as described in this use and care guide.
- 2) This refrigerator must be properly installed in accordance with the installation instructions before it is used. See grounding instructions in the installation section.
- 3) Never unplug your refrigerator by pulling on the power cord. Always grasp the plug firmly and pull straight out from the outlet.
- 4) Repair or replace immediately, all electric service cords that have become frayed or otherwise damaged. Do not use a cord that shows cracks or abrasion damage along its length, the plug or the connector end.
- 5) Unplug your refrigerator before cleaning or before making any repairs.  
**Note:** If for any reason this product requires service, we strongly recommend that a certified technician performs the service.
- 6) Do not use any electrical device or any sharp instrument in defrosting your refrigerator.
- 7) If your old refrigerator is not being used, we recommend that you remove the doors. This will reduce the possibility of danger to children.
- 8) After your refrigerator is in operation, do not touch the cold surfaces in the freezer compartment, particularly when hands are damp or wet. Skin may adhere to these extremely cold surfaces.
- 9) This refrigerator should not be recessed or built-in an enclosed cabinet. It is designed for freestanding installation only.
- 10) Do not operate your refrigerator in the presence of explosive fumes.

**SAVE THESE INSTRUCTIONS for Future Use**

## DANGER

**Risk of child entrapment. Before you throw away your old refrigerator or freezer, take off the doors. Leave the shelves in place so that children may not easily climb inside.**

Thank you for using our Haier product.  
This easy-to-use manual will guide you  
in getting the best use of your  
refrigerator.

Remember to record the model and  
serial number. They are on a label in the  
refrigerator.

---

Model number

---

Serial number

---

Date of purchase

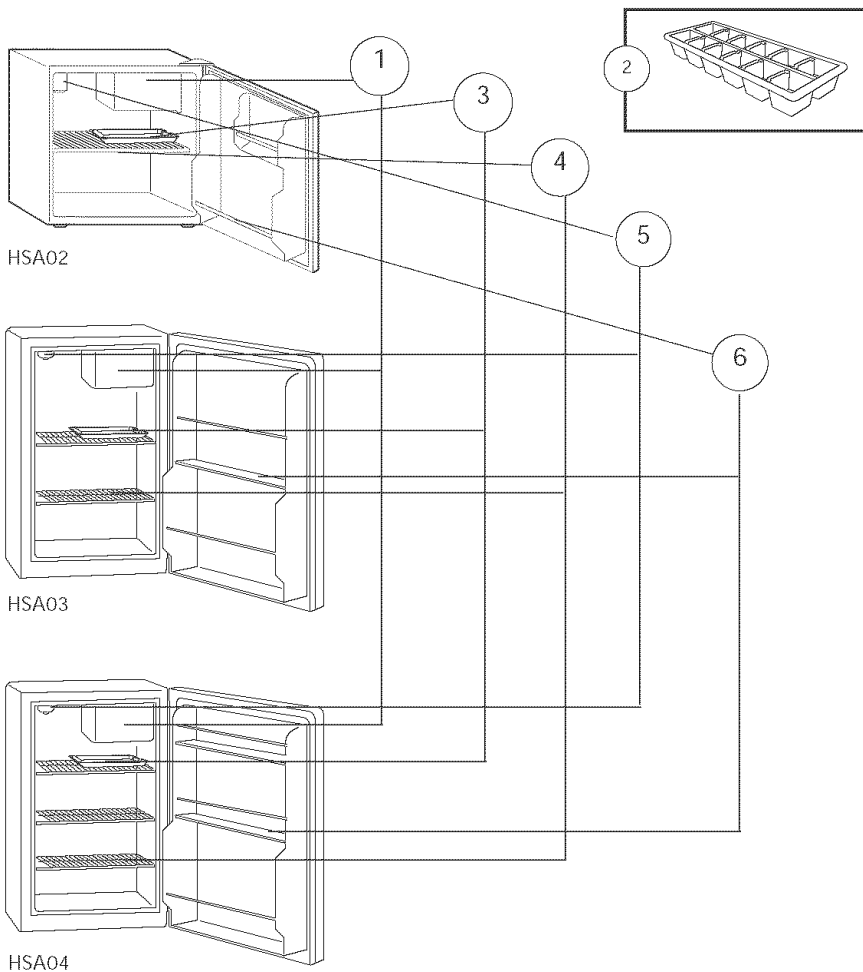
Staple your receipt to your manual.  
**You will need it to obtain warranty service.**

# Table Of Contents

PAGE

Safety Precautions .....	1
Parts And Features .....	4
Unpacking Your Refrigerator .....	5
Proper Air Circulation .....	5
Electrical Requirements .....	5
Use of Extension Cords .....	5
Install Limitations .....	5
Door Alignment .....	6
Refrigerator Features And Use .....	6-8
Adjusting Temperature Control .....	6
Defrosting Your Refrigerator .....	7
Normal Operating Sounds You May Hear .....	7
Proper Refrigerator Care and Cleaning .....	8
Power Interruptions .....	8
Vacation and Moving Care .....	8
Troubleshooting .....	9
Warranty Information .....	10

# Parts and Features



	1	2	3	4	5	6
	Freezer Compartment	Ice Cube Tray	Dip Tray	Full Width Shelves	Temp. Control	Door Storage Width Shelf
HSA02WNC	✓	1	1	1	✓	1 full & 1 half
HSA03WNC	✓	1	1	2	✓	2 full width
HSA04WNC	✓	1	1	3	✓	3 Full width

# Installing Your Refrigerator

## Unpacking Your Refrigerator

- 1 Remove all packaging material. This includes the foam base and all adhesive tape holding the refrigerator accessories inside and outside.
2. Inspect and remove any remains of packing, tape or printed materials before powering on the refrigerator.

## Proper Air Circulation

- To assure your refrigerator works at the maximum efficiency it was designed for, you should install it in a location where there is proper air circulation, plumbing and electrical connections.
- The following are recommended clearances around the refrigerator:

Sides.....3/4" (19mm)

Top.....2" (50mm)

Back.....2" (50mm)

## Electrical Requirement

- Make sure there is a suitable power outlet (115 volts, 15 amps outlet) with proper grounding to power the refrigerator.
- Avoid the use of three plug adapters or cutting off the third grounding in order to accommodate a two plug outlet. This is a dangerous practice since it provides no effective grounding for the refrigerator and may result in shock hazard.

## Use of Extension Cords

- Avoid the use of an extension cord because of potential safety hazards under certain conditions. If it is necessary to use an extension cord, use only a 3-wire extension cord that has a 3-blade grounding plug and a 3-slot outlet that will accept the plug. The marked rating of the extension cord must be equal to or greater than the electrical rating of the appliance.

## Install Limitations

- Do not install your refrigerator in any location not properly insulated or heated e.g. garage etc. Your refrigerator was not designed to operate in temperature settings below 55° Fahrenheit.
- Select a suitable location for the refrigerator on a hard even surface away from direct sunlight or heat source e.g. radiators, baseboard heaters, cooking appliances etc. Any floor unevenness should be corrected with the leveling legs located at the bottom.

## Door Alignment

1. Remove the top hinge cover using a flat head screw driver. Gently lift from the rear of the hinge and slide forward.
2. Loosen the top hinge screws using a phillips head screwdriver.
3. Adjust the door or put a spacer in between and then tighten the screws.
4. Replace the top hinge cover by aligning the rear of the cover with the rear of the hinge. Press firmly on the front of the cover until it snaps in place.

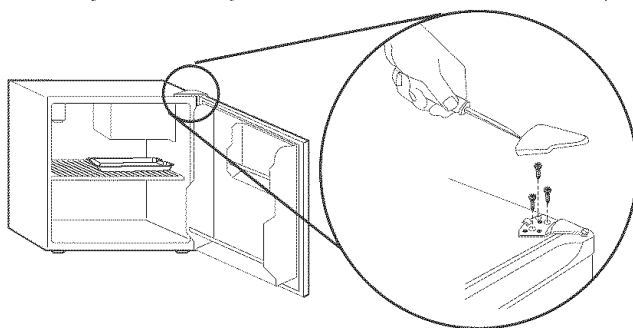


fig. 1

# Refrigerator Features and Uses

## General Features

### Adjustable Temperature Control

Your refrigerator will automatically maintain the temperature level you select. The temperature control dial has 7 settings plus off. 1 is the warmest. 7 is the coldest. Turning the dial to "0" stops cooling in the refrigeration section. At first, set the dial to 4 and allow 24 hours to pass before adjusting the temperature to your needs.

**Note:** If the refrigerator has been placed in a horizontal or tilted position for any period of time wait **24 hours** before plugging the unit in.

### Interior Shelves

To remove or replace a full-width slide-out shelf: (see fig. #2)

1. Gently tilt the shelf up and slide forward until the shelf has been completely removed.
2. To replace the shelf, gently slide the shelf back.

#### Reversing Interior Shelf:

1. When storing a 2-Liter bottle in the door, the shelf should be installed with the indent side facing out and on the left
2. When not storing a 2-liter bottle in the door, the shelf should be installed with the indent side facing in on the right side.

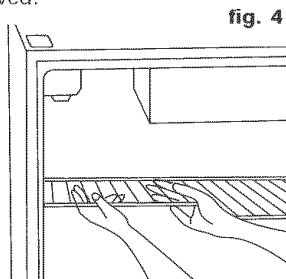


fig. 4

### Defrosting Your Refrigerator

- For maximum energy efficiency, defrost freezer section whenever frost accumulates to a thickness of 1/4" or more on freezer walls. Note that frost tends to accumulate more during the summer months.
- To defrost, remove the food and ice cube tray from the freezer section. Make sure the drip tray is under the freezer section and turn off the thermostat. Defrosting may take a few hours.
- While defrosting, water will accumulate in the drip tray. The drip tray may also need to be emptied during the defrost process. Do not leave unattended. (see Fig. 5)

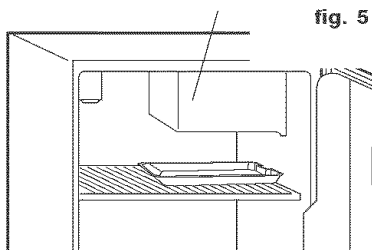


fig. 5

drip tray

- After defrosting, empty and wipe down the drip tray, as well as the interior of the refrigerator.

### **Normal Operating Sounds You May Hear**

- Boiling water, gurgling sounds or slight vibrations that are the result of the refrigerant circulating through the cooling coils.
- The thermostat control will click when it cycles on and off.

# Proper Refrigerator Care and Cleaning

**Warning:** To avoid electric shock always unplug your refrigerator before cleaning. Ignoring this warning may result in death or injury.

**Caution:** Before using cleaning products, always read and follow manufacturer's instructions and warnings to avoid personal injury or product damage.

- General:**
- Prepare a cleaning solution of 3-4 tablespoons of baking soda mixed with warm water. Use sponge or soft cloth, dampened with the cleaning solution, to wipe down your refrigerator.
  - Rinse with clean warm water and dry with a soft cloth.
  - Do not use harsh chemicals, abrasives, ammonia, chlorine bleach, concentrated detergents, solvents or metal scouring pads. Some of these chemicals may dissolve, damage and/or discolor your refrigerator.

## Door Gaskets:

- Clean door gaskets every three months according to general instructions. Gaskets must be kept clean and pliable to assure a proper seal.
- Petroleum jelly applied lightly on the hinge side of gaskets will keep the gasket pliable and assure a good seal.

## Power Interruptions

- Occasionally there may be power interruptions due to thunderstorms or other causes. Remove the power cord from AC outlet when a power outage occurs. When power has been restored, replug power cord to AC outlet. If outage is for a prolonged period, inspect and discard spoiled food in the refrigerator. Clean inside the refrigerator before reusing.

## Vacation and Moving Care

- For long vacations or absences, empty food from refrigerator, move the temperature DIAL to the OFF position and clean the refrigerator and door gaskets according to "General cleaning" section. Prop doors open, so air may circulate inside. When moving, always move the refrigerator vertically. Do not move with the unit lying down. Possible damage to the sealed system could occur.

# Trouble Shooting

## Refrigerator Does Not Operate

- Check if thermostat control is not in the "OFF" position.
- Check if refrigerator is plugged in.
- Check if there is power at the AC outlet, by checking the circuit breaker.

## Food temperature appears too warm

- Frequent door openings.
- Allow time for recently added warm food to reach fresh food or freezer temperature.
- Check gaskets for proper seal.
- Adjust temperature control to colder setting.

## Food temperature is too cold

- If temperature control setting is too cold, adjust to a warmer setting and allow several hours for temperature to adjust.

## Refrigerator runs too frequently

- This may be normal to maintain constant temperature during high temperature and humid days.
- Doors may have been opened frequently or for an extended period of time.
- Check gasket for proper seal.
- Check to see if doors are completely closed.

## Moisture build up on interior or exterior of the refrigerator:

- This is normal during high humidity periods.
- Prolonged or frequent door openings.
- Check door gaskets for proper seal.

## Refrigerator has an odor:

- Interior needs cleaning.
- Foods improperly wrapped or sealed are giving off odors.

## Refrigerator door does not shut properly:

- Level the refrigerator.
- Re-align refrigerator door.
- Check for blockages e.g. food containers, crisper cover, shelves, bins etc.

# Limited Warranty

## What is covered and for how long?

This warranty covers all defects in workmanship or materials for a period of:

**12 months labor**

**12 months parts**

**5 years sealed system**

The warranty commences on the date the item was purchased and the original purchase receipt must be presented to the authorized service center before warranty repairs are rendered.

## EXCEPTIONS: Commercial or Rental Use warranty

**90 days labor (carry-in only)**

**90 days parts**

**No other warranty applies**

## What is covered.

1. The mechanical and electrical parts, which serve as a functional, purpose of this appliance for a period of 12 months. This includes all parts except finish, and trim.

2. The components of the sealed system e.g. hermetic compressor, condenser and evaporator from manufacturing defects for a period of 5 years from the date of purchase. Any damages to such components caused by mechanical abuse or improper handling or shipping will not be covered.

## What will be done?

1. We will repair or replace, at our discretion any mechanical or electrical part which proves to be defective in normal usage during the warranty period so specified.

2. There will be no charge to the purchaser for parts and labor on any covered items during the initial 12 month period. Beyond this period only parts are covered in the remaining warranty. Labor is not provided and must be paid by the customer.

3. Contact your nearest authorized service center. For the name of the nearest service center please call 1-877-337-3639

## THIS WARRANTY COVERS APPLIANCES WITHIN THE CONTINENTAL UNITED STATES, PUERTO RICO AND CANADA. IT DOES NOT COVER THE FOLLOWING:

Damages from improper installation.  
Damages in shipping.  
Defects other than manufacturing.

Damage from misuse, abuse, accident, alteration, lack of proper care and maintenance or incorrect current or voltage.  
Damage from other than household use.  
Damage from service by other than an authorized dealer or service center.  
Decorative trims or replaceable light bulbs.

Transportation and shipping.

Labor (after the initial 12 months).

THIS LIMITED WARRANTY IS GIVEN IN LIEU OF ALL OTHER WARRANTIES, EXPRESSED OR, INCLUDING THE WARRANTIES OF MERCHANTABILITY AND FITNESS FOR A PARTICULAR PURPOSE

The remedy provided in this warranty is exclusive and is granted in lieu of all other remedies.

This warranty does not cover incidental or consequential damages, so the above limitations may not apply to you. Some States do not allow limitations on how long an implied warranty lasts, so the above limitations may not apply to you.

This warranty gives you specific legal rights, and you may have other rights, which vary, from state to state.

Haier America  
New York, NY 10018

Printed in China  
Feb 2004

## PRECAUTIONS DE SURETE

Lisez toutes les instructions avant d'utiliser cet appareil. Exercez toujours les précautions de sûreté fondamentales avant d'utiliser cet appareil, y compris les suivants:

1. Utilisez cet appareil uniquement pour son but prévu comme décrit dans ce manuel d'utilisation et d'entretien.
2. Ce réfrigérateur doit être installé correctement et conformément aux instructions d'installation avant d'être utilisé. Référez-vous aux instructions de mise à terre dans la section d'installation.
3. Ne débranchez jamais votre réfrigérateur en tirant sur la corde d'alimentation. Saisissez toujours la fiche et tirez-la tout droit hors de la prise électrique.
4. Réparez ou remplacez immédiatement tous les cordons électriques de service qui sont devenus franges ou autrement endommagés. N'utilisez pas une corde présentant des craquelures ou des abrasions tout au long de la corde, de la fiche ou de l'extrémité du connecteur.
5. Débranchez votre réfrigérateur avant de le nettoyer ou avant n'importe quelles réparations.
6. N'utilisez aucun dispositif électrique ou instrument pointu en dégivrant votre réfrigérateur.
7. Si vous n'utilisez plus votre ancien réfrigérateur, nous vous recommandons de retirer les portes. Cela réduira les risques d'accidents pour les enfants.
8. Après avoir mis votre réfrigérateur en marche, ne touchez pas aux surfaces froides des compartiments du congélateur spécialement si vos mains sont mouillées ou humides. La peau peut adhérer à ces surfaces extrêmement froides.
9. Ce réfrigérateur ne doit pas être encastré ou placé à l'intérieur d'une armoire fermée. Il est conçu à être placé sans support.
10. N'opérez pas votre réfrigérateur dans la présence des vapeurs explosives.

CONSERVEZ CES INSTRUCTIONS POUR LE FUTUR.

DANGER

Risque d'entraperment des enfants. Avant de disposer de votre réfrigérateur ou congélateur, enlevez les portes. Laissez les étagères en place afin que les enfants ne puissent pas grimper à l'intérieur.

Nous vous remercions d'avoir acheté un produit Haier. Ce manuel facile à consulter vous guidera à obtenir la meilleure utilisation de votre réfrigérateur.

N'oubliez pas d'enregistrer les numéros du modèle et de série. Ils sont affichés sur une étiquette dans le réfrigérateur.

Agrafez votre reçu d'achat à votre manuel. Vous en aurez besoin pour obtenir le service de la garantie.

---

Numero du model

---

Numero de serie

---

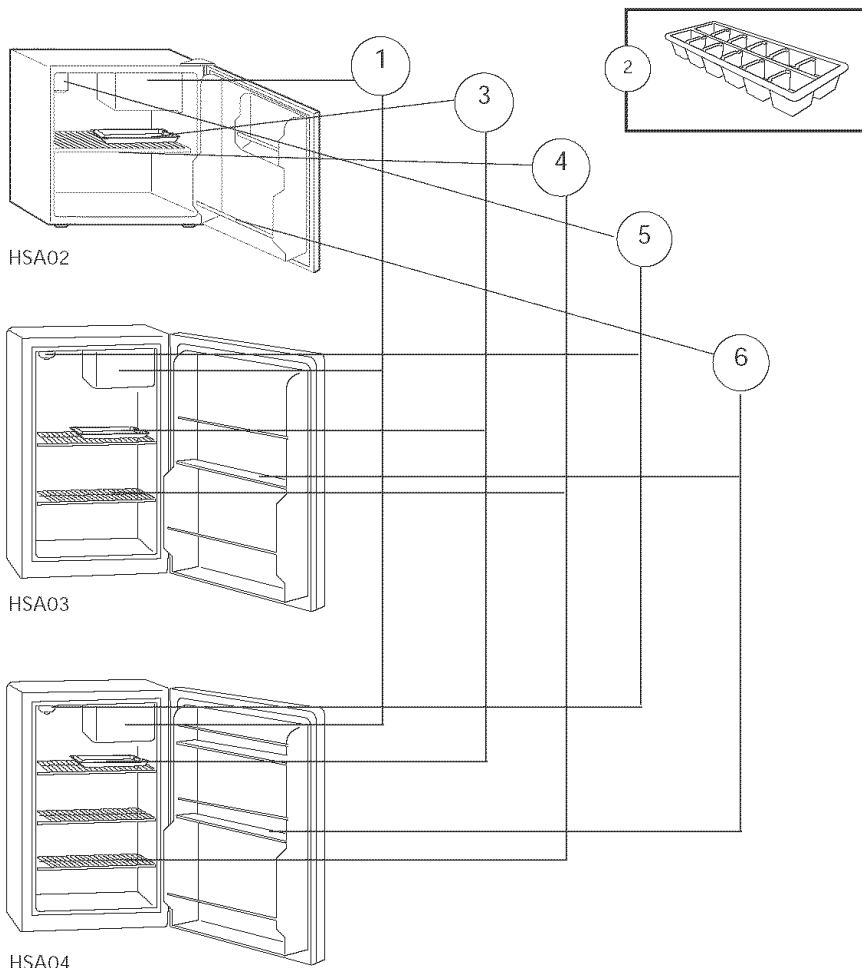
Date d'achat

# Table des Matieres

Page

Precautions de Surete .....	12
Parties et Caracteristiques .....	15
Deballage du refrigerateur .....	16
Circulation propre de l'air .....	16
Conditions electriques .....	16
Utilisations des rallonges .....	16
Installation des limitations .....	16
Alignement de la porte .....	17
Caracteristiques et usage du refrigerateur .....	17-18
Reglage de la temperature .....	17
Decongelez votre refrigerateur .....	18
Bruits d'operation normals dont vous entendrez .....	18
Entretiens et nettoyage du refrigerateur .....	19-20
Coupures de courant .....	19
Entretiens durant les vacances ou demenagement .....	20
Depannage .....	21
Information pour la garantie .....	22

# Parties et Caracteristiques



HSA02

HSA03

HSA04

	1	2	3	4	5	6
	Compartiments du décongelateur	Plateau des cubes en glace	Plateau d'égout	Étagères a pleine largeur	Control de temperature	Porte avec une étagère pour emmagasinage
HSA02WNC	✓	1	1	1	✓	1 entier & 1 demi
HSA03WNC	✓	1	1	2	✓	2 largeur pleines
HSA04WNC	✓	1	1	3	✓	3 largeur pleines

# Installation de Votre Réfrigérateur

## Déballage de Votre Réfrigérateur

1. Retirez tous les matériaux d'emballage. Ceci inclus le socle en mousse et tous les rubans adhésifs retenant les accessoires du réfrigérateur à l'intérieur et extérieur.
2. Inspectez et retirez le reste de l'emballage, le ruban adhésif et la documentation avant de mettre en marche votre réfrigérateur.

## Circulation Propre de L'air

- Afin de vous assurer que votre réfrigérateur fonctionne à maximum d'efficacité vous devrez l'installer dans un endroit où la ventilation, le raccordement électrique et la connexion de plomberie soient absolument correctes.
- On vous recommande de laisser les espaces suivants tout autour du réfrigérateur. Cotes.....3/4" (19mm)  
Au -dessus.....2" ( 50mm)  
Derrière.....2" (50mm)

## Conditions Électriques

- Assurez vous qu'il y a une prise électrique adéquate ( 115volts, 15 ampères prise) avec mise à terre correcte pour mettre le réfrigérateur en marche
- Ne pas utiliser l'adaptateur à 3 broches ou ne pas couper la troisième broche pour obtenir un adaptateur à 2 broches . Ceci est une pratique dangereuse car elle n'offre pas de mise à terre au réfrigérateur et peut résulter d'un choc électrique.

## Utilisation des Rallonges

- Évitez l'usage des rallonges car dans certains cas cela peut entraîner des risques pour la santé. S'il est nécessaire d'utiliser un cordon d'extension, utilisez une rallonge à 3 conducteurs disposant d'une fiche à 3 lames et une sortie à 3 fentes qui acceptent la prise. Le calibre défini des rallonges doit être égal ou supérieur à celui de l'équipement.

## Limitations d'installation

- N'installez jamais votre réfrigérateur dans un endroit insuffisamment isolé ou chauffé.. par exemple, le garage etc... Votre réfrigérateur n'a pas été conçu pour opérer à une température inférieure à 55 degrés Fahrenheit.
- Choisissez un endroit approprié à votre réfrigérateur sur une surface ferme et plane, loin des rayons directs du soleil ou des sources de chaleur comme les radiateurs, les radiateurs de plinthes, les appareils de cuisine, etc., etc., N'importe quelle inégalité du sol doit être corrigée en réglant les pieds du réfrigérateur, situés au bas.

## Alignement de la Porte

1. Enlevez le couvercle du gond supérieur en utilisant un tournevis plat. Gentiment soulevez le fond du gond et glissez le vers le devant.
2. Desserrez les vis du gond supérieur en utilisant un tournevis Phillips.
3. Ajustez la porte ou mettez un joint d'espacement au milieu et serrez les vis.
4. Remplacez le couvercle du gond supérieur en alignant le fond du couvercle au fond du gond. Pressez fermement sur le devant du couvercle jusqu'à ce que ce dernier soit en place.

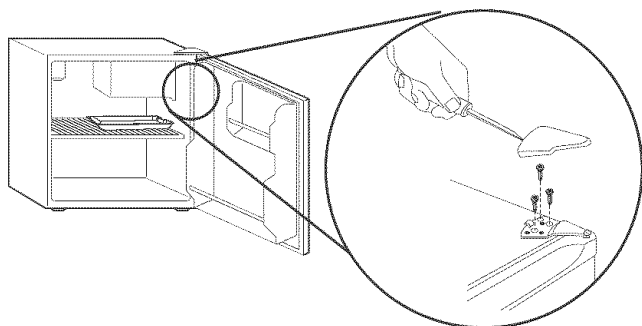


fig. 1

# Caracteristiques et Utilisation du Réfrigérateur

## L'utilisaton generale

### Reglage de la temperature

Votre réfrigérateur maintiendra automatiquement le niveau de la température que vous choisissez. Le cadran de commande de température a 7 arrangements plus le OFF. Le numero 1 est le plus chaud et le numero 7 est le plus refroidissant. En tournant le cadre jusqu'au 0, le refroidissement du réfrigérateur s'arrêtera. Au debut, reglez le cadre au numero 4 et permettez 24 heures avant d'ajuster la température desirée.

**Note:** Si le réfrigérateur a été dans une position horizontale ou a été incliné pour une période de temps, attendez 24 heures avant de le brancher.

### Les Etageres Interieures

Pour retirer ou replacer une étagère de pleine largeur : ( voir fig #2 )

1. Inclinez gentiment l'étagère vers le haut et glissez-la au dehors jusqu'à ce que cette dernière est

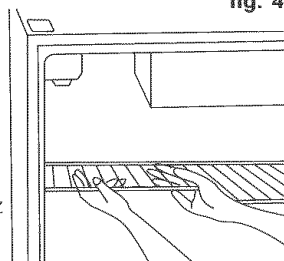


fig. 4

completement retiree.

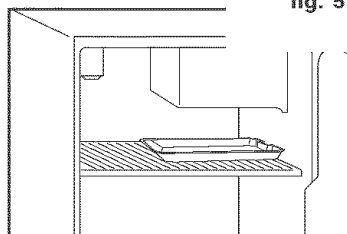
2. Pour replacer l'étagere, glissez la doucement .

#### Renverser l'étagere interieure:

1. Quand vous emmagasiner une bouteille de 2 litres dans la porte, l'étagere doit etre installee avec le cote dentele vers le hors et a gauche.
2. Si vous n'emmagasinez pas une bouteille de litres dans la porte, l'étagere doit etre installee avec le cote dentele vers le dedans et a droite.

## Degrivage de Votre Refrigerateur

- Pour l'efficacite d'energie maximum, degrivez la section du congelateur quand la gelee s'accumule a une epaisseur de 1/4" ou plus sur les murs du congelateur. Notez que cette gelee a tendance a s'accumuler plus pendant les mois d'ete.
- Pour degriver, enlevez la nourriture et les plateaux de glacons de la section du congelateur. Assurez vous que le plateau d'egout est au dessous du congelateur et arretez le thermostat.. Le degrivage peut prendre quelques heures.
- Durant le degrivage, de l'eau s'accumulera dans le plateau de goutte. Ce plateau doit etre vide pendant le process de degrivage. Ne le laissez pas sans surveillance.(voir fig 5)
- Apres le degrivage, videz et nettoyez le plateau d'egout , et l'interieur du refrigerateur.



## Les Bruits Normaux que vous Entendez.

- Des bruits de gargouillement , de bouillonnement d'eau ou des vibrations legeres qui sont le resultat de la circulation refrigerente dans les serpentins de refroidissement .
- Le thermostat cliquetera quand il se met en marche ( ON ) et s'eteint (OFF )

# Entretien et Nettoyage du Réfrigérateur

**Avertissements:** Afin d'éviter les risques des chocs électriques, débranchez toujours votre réfrigérateur avant de le nettoyer. En ignorant cet avertissement, des blessures graves ou même un décès peuvent occurrer .

**Attention:** Avant d'utiliser des produits de nettoyage, veuillez lire et respecter les instructions et avertissements du fabricant afin d'éviter des dommages à l'appareil ou des blessures personnelles.

**Nettoyage generale:**

- Préparez une solution de nettoyage composée de 3 à 4 cuillères de bicarbonate de soude mélangé à l'eau chaude. Utilisez une éponge ou un chiffon doux trempé dans cette solution pour nettoyer votre réfrigérateur.
- Rincez avec de l'eau tiède propre et séchez avec un chiffon doux.
- N'utilisez pas de produits chimiques puissants, d'abrasifs, d'ammoniac ou de l'eau de javel , de détergents concentrés, des solvants ou tampons à recurer en fibres métalliques. Certains de ces produits chimiques risquent de dissoudre, d'endommager et ou de décolorer votre réfrigérateur.

## Joint de la Porte:

- Nettoyez les joints de la porte chaque 3 mois conformément aux instructions générales. Les joints doivent être propres et souples pour assurer une parfaite étanchéité.
- La gelée de pétrole appliquée légèrement sur les cotés des gonds des joints, assurera une flexibilité et une parfaite étanchéité .

## Coupeure de Courant

- Il s'y peut que des coupures de courant occurent due aux orages ou autres causes. Débranchez le cordon d'alimentation de la prise du courant AC à ce moment. Une fois le courant est rétabli, rebranchez le cordon d'alimentation à la prise de courant AC. Si les coupures sont pour une longue période de temps, inspectez et disposez de la nourriture endommagée du réfrigérateur. Nettoyez l'intérieur de votre réfrigérateur avant de l'utiliser de nouveau.

## Entretiens Pendant les Vacances ou Deménagement

- Pendant des vacances ou absences prolongées, videz le réfrigérateur de toute nourriture, mettez le cadran de la température dans la position Off (éteint) et nettoyez le réfrigérateur et les gonds de la porte en accord avec la section du " Nettoyage Général". Laissez les portes ouvertes, pour que l'air circule à l'intérieur. Pendant le déménagement, déplacez le réfrigérateur toujours verticalement. Ne jamais déplacer l'unité horizontalement. Des dommages au système scelle peuvent survenir.

# Depannage

## Le Refrigerateur Ne Fonctionne Pas

- Vérifiez que le control du thermostat n'est pas eteint sur la position OFF.
- Vérifiez que le refrigerateur est branche.
- Vérifiez si le courant électrique dans la prise AC fonctionne en verifiant le disjoncteur.

## La Nourriture Parait Tiede

- Les portes sont ouvertes frequemment .
- Permettez a la nourriture le temps de se refroidir et a la temperature d'atteindre la temperature du congelateur.
- Vérifiez une bonne etancheite de joints
- Ajustez la temperature a un reglage plus refroidissant

## La Nourriture Est Trop Froide

- Si l'arrangement de commande de temperature est trop froid, ajustez a un arrangement plus chaud , et permettez quelques heures pour que la temperature s'ajuste.

## Le Refrigerateur Est En Marche Tres Frequemment

- Ceci peut etre normal pour maintenir une temperature constante pendant les hautes temperatures et les jours humides.
- Les portes sont ouvertes frequemment et pour une longue periode de temps.
- Vérifiez une bonne etancheite de joints

## Accumulation d'humidite Sur L'interieur ou Exterieur du Refrigerateur

- Ceci est normal pendant les periodes d'humidite.
- Les portes sont ouvertes frequemment et pour une longue periode de temps
- Vérifiez une bonne etancheite des joints

## Le Refrigerateur a Une Mauvaise Odeur

- L'interieur a besoin d'etre nettoye
- La nourriture incorrectement emballee ou scellee degagent des odeurs

## La Porte du Refrigerateur ne se Ferme Pas Proprement

- Nivelez le refrigerateur.
- Re-alignez la porte du refrigerateur
- Vérifiez les obstructions telles que les recipients, les couvercles du tiroir, les etageres, les huches etc.....

# Garantie Limitee

## Que recouvre cette garantie et pour combien de temps?

Cette garantie couvre tous les défauts de fabrication ou de matériaux pour une période de:

**12 mois pour la main d'oeuvre**

**12 mois pour les parties.**

**5 ans pour le système scelle**

Cette garantie commence le jour de la date d'achat de l'unité et la facture originale doit être présentée au centre de services autorisé avant n'importe quelles réparations ne soient effectuées.

## EXCEPTIONS

Garantie pour une utilisation commerciale ou en cas de location pour

**90 jours de travail**

**90 jours pour les parties**

**Aucune autre garantie ne s'applique**

## Qu'est-ce qui est couvert?

1. Les parties électriques et mécaniques essentielles au bon fonctionnement de cet appareil sont garanties pendant 12 mois. Cela inclut toutes les pièces sauf la finition et l'habillage.
2. Les éléments du système scelle par exemple, le compresseur hermetique, le condensateur et l'évaporateur sont garantis contre tout vice de fabrication pour 5 ans de la date d'achat. Tous dommages de ces éléments causés par un abus mécanique ou la manipulation ou l'expédition inexacte ne seront pas couverts.

## Que feront nous?

1. Nous réparerons et remplacerons à notre discrétion, quelque soit électriques ou mécaniques les parties qui prouvent être défectueuses pendant l'utilisation normale pendant la période de la garantie spécifiée.
2. L'acheteur ne sera pas chargé pour les parties et les coûts de main-d'œuvre pendant la période initiale de 12 mois de la garantie. Au-delà de cette période, seules les pièces sont couvertes par la garantie. Les coûts de main-d'œuvre doivent être payés par l'acheteur.
3. Contactez votre centre de services autorisé. Pour obtenir le nom du centre

de services le plus proche, veuillez appelez le 1-877-337-3639.

CETTE GARANTIE COUVRE LES APPAREILS DANS LES ETATS -UNIS, PUERTO RICO ET CANADA. CETTE GARANTIE NE COUVRE PAS LES SUIVANTS:

Dommages dus à une installation impropre.

Dommages survenus pendant l'expédition

Défauts autres que du fabricant.

Dommages dus à un usage impropre, utilisation excessive, à une altération, manque d'entretien et négligence, et usage incorrect de voltage et courant.

Dommages dus à une utilisation hors du domaine.

Dommages dus à une réparation effectuée par un service autre que le service autorisé ou négociant autorisé.

L'habillage et le remplacement des ampoules

Le transport et l'expédition

Les coûts de main-d'œuvre (après les 12 mois initiaux)

CETTE GARANTIE LIMITEE EST DONNEE EN LIEU ET EN PLACE DE TOUT AUTRE GARANTIE EXPRIMEE OU SUGGEREE, Y COMPRIS LES GARANTIES DE MERCHANTABILITY ET SANTE POUR UN BUT PARTICULIER

Le remède fourni dans cette garantie est exclus et accordée en lieu de tout autres remèdes

Cette garantie ne couvre pas les dommages accidentals ou conséquents, alors la limitation ci-dessus peuvent ne pas être applicables. Certains États n'autorisent pas les limitations sur la durée de la garantie, dans ce cas les limitations ci-dessus peuvent ne pas être applicables.

Cette garantie vous donne de droits juridiques, Il se peut que vous disposiez d'autres droits qui varient d'un état à l'autre.

Haier America  
New York, NY 10018  
Imprime en Chine  
Fevrier 2004

# INSTRUCCIONES PRECAUTORIAS

**Lea todas las instrucciones antes de utilizar este aparato. Cuando utilice este aparato, siempre ejerza las precauciones de seguridad básicas, incluyendo las siguientes:**

- 1) Utilice este aparato exclusivamente para su uso especificado, según se describe en esta guía de uso y cuidados.
- 2) Este refrigerador debe ser instalado adecuadamente siguiendo las instrucciones de instalación antes de utilizarse. Observe las instrucciones para conectarlo a tierra en la sección de instalación.
- 3) Nunca desconecte su refrigerador tirando del cordón eléctrico. Sujete siempre la clavija firmemente y retírela del contacto evitando torcerla.
- 4) Repare o reemplace inmediatamente cualquier cordón eléctrico que muestre raspaduras o daños. No utilice ningún cordón que muestre señales de abrasión o grietas en su extensión, clavija o terminal de conexión.
- 5) Desconecte su congelador antes de limpiarlo o antes de hacer cualquier reparación. Nota: Si por alguna razón este producto necesita ser reparado, recomendamos fuertemente que la reparación se lleve a cabo por un técnico calificado.
- 6) No emplee ningún aparato eléctrico o instrumento punzocortante para descongelar su refrigerador.
- 7) Si su antiguo refrigerador no está siendo utilizado, recomendamos quitarle las puertas. Esto reducirá los riesgos de accidentes infantiles.
- 8) Una vez que su refrigerador se encuentre operando, no toque las superficies frías en el compartimento del congelador, especialmente si sus manos se encuentran húmedas o mojadas. Su piel puede adherirse a estas superficies extremadamente frías.
- 9) Este refrigerador no debe de ser empotrado o colocado dentro de un gabinete de cocina. Ha sido diseñado exclusivamente para ser instalado por separado.
- 10) No opere su congelador en la presencia de gases explosivos.

**GUARDE ESTAS INSTRUCCIONES  
para futura referencia**

## CUIDADO

**Antes de deshacerse de su refrigerador viejo retire las puertas del mismo y deje los estantes en el lugar de manera que sea difícil que algún niño entre jugando en la unidad.**

Gracias por utilizar nuestro producto Haier. Este manual de fácil uso lo guiará para obtener los mejores resultados de este congelador.

Recuerde de tomar nota del modelo y número de serie. Estos se encuentran en la etiqueta en la parte trasera de la unidad.

---

Numero de modelo

---

Numero de serie

---

Fecha de compra

Adjunte la factura de compra a este manual.

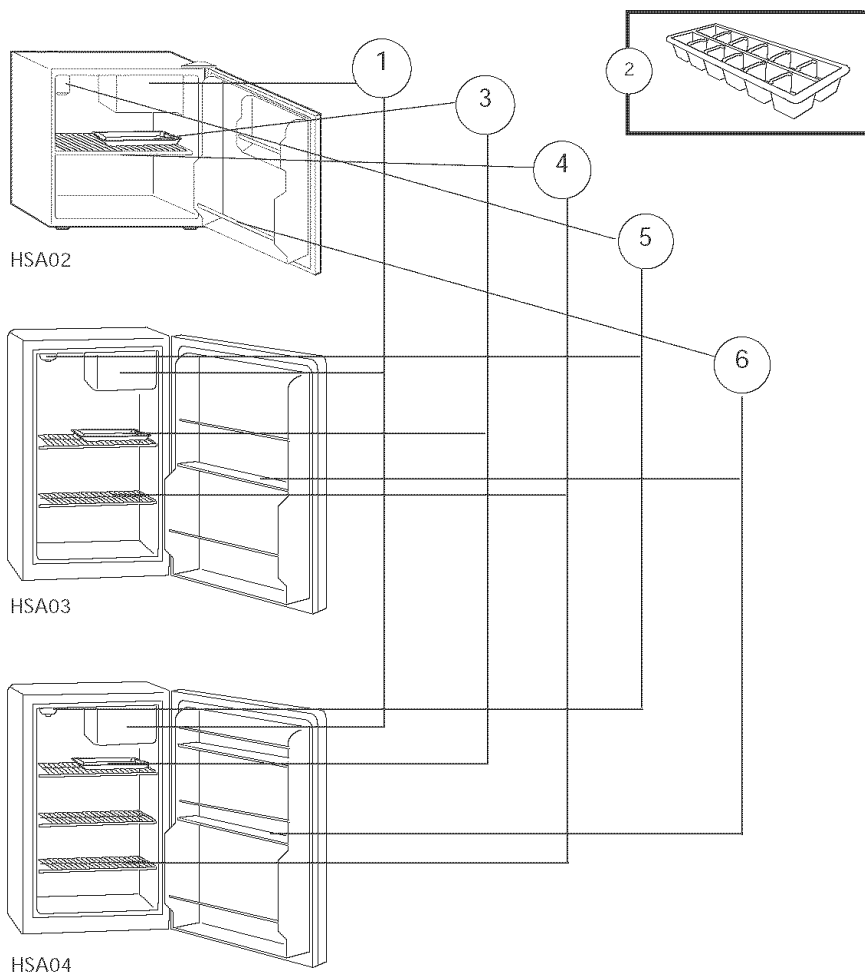
**La misma será necesaria para hacer uso de los servicios de garantía.**

# Índice

PAGE

Precauciones de seguridad .....	23-24
Partes y características .....	26
Desempacando el refrigerador .....	27
Circulación de aire adecuada .....	27
Requerimientos eléctricos .....	27
Uso de alargues.....	27
Limitaciones de la instalación .....	28
Alineación de la puerta .....	28
Características del refrigerador y uso.....	29-30
Control de temperatura .....	29
Estantes interiores del refrigerador .....	29
Sonidos de la operación normal .....	30
Cuidado y mantenimiento del refrigerador .....	31-32
Interrupciones de energía .....	31
Cuidados por vacaciones o traslados .....	32
Problemas generales .....	33
Información de garantía.....	34

# Partes y Funciones



	1 Freezer Compartment	2 Ice Cube Tray	3 Dip Tray	4 Full Width Shelves	5 Temp. Control	6 Door Storage Width Shelf
HSA02WNC	✓	1	1	1	✓	1 full & 1 half
HSA03WNC	✓	1	1	2	✓	2 full width
HSA04WNC	✓	1	1	3	✓	3 Full width

# INSTALACIÓN DE SU REFRIGERADOR

## Desempaquetado de Su Refrigerador

1. Retire todo el material de embalaje. Esto incluye la base de espuma y toda la cinta adhesiva que sostiene los accesorios del refrigerador en el interior y exterior. Deslice y saque la protección de plástico o espuma usada para proteger al compresor de daños durante el envío debido a la vibración y los golpes.
2. Inspeccione y retire cualesquier restos del embalaje, la cinta adhesiva o los materiales impresos antes de encender el refrigerador.

## Circulación Adecuada del Aire

- Para asegurar que su refrigerador funcione con la eficiencia máxima para la que fue diseñado, éste debe ser instalado en un lugar donde haya una circulación de aire adecuada, conexiones eléctricas y de tubería.
- Estas son las distancias recomendadas que deben dejarse alrededor del refrigerador:
 

Lados.....	19 mm
Parte Superior.....	50 mm
Parte Posterior.....	50 mm

## Requerimientos Eléctricos

- Asegúrese de que haya un tomacorriente apropiado (115 V, 15 Amp.) con una conexión a tierra apropiada para hacer funcionar el refrigerador.
- Evite el uso de adaptadores de tres patas o el cortar la tercer pata de conexión a tierra para poder conectar en un tomacorriente bifásico. Esto sería una práctica muy peligrosa ya que no proveería al refrigerador con una conexión a tierra adecuada y podría resultar un riesgo de descarga eléctrica.

## Las Cuerdas de la extensión

- Evita el uso de una cuerda de la extensión a causa de peligros potenciales de seguridad bajo ciertas condiciones. Si es necesario utilizar una cuerda de la extensión, utilice sólo una cuerda de 3 alambres de extensión que tiene un de 3 hojas molió tapón y una salida de 3 ranuras que aceptarán el tapón. La calificación marcada de la cuerda de la extensión debe ser igual a o más que la calificación eléctrica del aparato.

## Limitaciones de Instalación

- No instale su refrigerador en ningún lugar que no tenga el aislamiento o la calefacción apropiada, por ejemplo una cochera, etc. Su refrigerador no fue diseñado para funcionar en temperaturas abajo de los 12° Centígrados (55°F).
- Seleccione un lugar adecuado para el refrigerador sobre una superficie sólida y nivelada alejado de los rayos directos del sol o de una fuente de calor como la de los radiadores, rejillas de calefacción, estufas, etc. Cualquier desnivelación del piso debe ser corregido con las patas niveladoras ubicadas en las esquinas inferiores frontales del refrigerador.

## Copia de la Alineación Puerta (Vea la fig. # 1)

1. Remueva la tapa de la bisagra superior usando un desarmador de cabeza plana. Coloque el desarmador debajo del borde de la tapa y levante gentilmente.
2. Afloje los tornillos de la bisagra superior usando un dearmador phillips.
3. Ajuste la puerta o ponga una goma espaciadora entre la puerta y la bisagra.
4. Coloque la tapa de la bisagra superior al alinear la parte posterior de la tapa con la parte posterior de la bisagra. Presione firmemente en el frente de la tapa hasta que abroche.

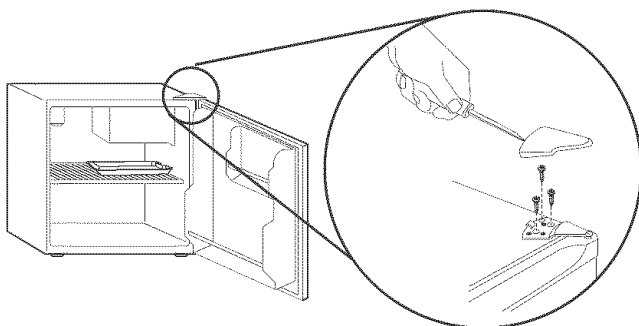


fig. 1

# Uso y Funciones del Refrigerador

## Funciones Generales

### Dial de Temperatura Ajustable:

Su refrigerador mantendrá automáticamente el nivel de temperatura que seleccione. El dial de control de temperatura tiene 7 ajustes además del ajuste "off" (apagado). El 1 es el más tibio. El 7 es el más frío. El girar el dial hasta "OFF" (apagado) detiene el enfriamiento en ambas secciones del refrigerador y congelador. Primero, ajuste el dial a 4 y permita que pasen 24 horas antes de ajustar la temperatura a sus necesidades.

(Nota: Si el refrigerador ha sido colocado en una posición horizontal o inclinada durante algún periodo de tiempo, espere 24 horas antes de enchufar la unidad.)

## Entrepaños Interiores del Refrigerador

Para sacar o ajustar un entrepaño deslizable de ancho completo: (vea la fig. # 2)

1. Levante ligeramente el entrepaño y deslícelo hacia el frente hasta sacarlo completamente.
2. Para volver a colocar el entrepaño, deslice cuidadosamente el entrepaño hacia dentro

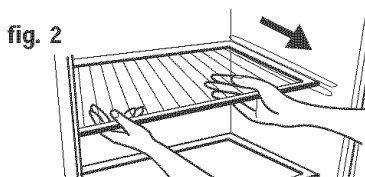
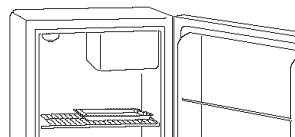


fig. 2

## Descongelación de Su Refrigerador (vea la fig. # 3)

- Su compartimiento del congelador puede ser anchura completa o media anchura dependiendo de su compra modelo
- Para una eficiencia de energía máxima, descongele la sección del congelador cuando la escarcha que se acumula en las paredes del congelador tenga un grosor de 6 mm o más. Tenga en cuenta que la escarcha tiende a acumularse más durante los meses de verano.
- Para descongelar el congelador, retire los alimentos y la charola para cubos de hielo del compartimiento del congelador. Su modelo puede requerirle colocar la bandeja del goteo bajo sección del congelador (véase fig 3). Para descongelar, gire dial del control de temperatura a la posición de "OFF" (Apagado). La descongelación generalmente se lleva a cabo en unas cuantas horas. Para descongelar más rápido, mantenga la puerta abierta y coloque un recipiente con agua tibia dentro del refrigerador.

fig. 3



- Durante el ciclo de descongelación, el agua se acumulará en la charola de goteo. Puede que tenga que vaciar la charola de goteo durante el proceso de descongelación. No la desatienda. (vea la fig. # 3)
- Después de descongelar, vacíe y limpie la charola de goteo, al igual que el interior del refrigerador. Ahora puede reajustar su refrigerador a la temperatura desea y volver a meter la comida.

### **Ruidos de Operación Normales**

- Agua hirviendo, ruidos gorgoteantes o ligeras vibraciones que son el resultado del gas refrigerante circulando a través del serpentín de enfriamiento.
- El control del termostato hará "clic" cuando se encienda y se apague.

# Cuidados y Limpieza Asegurada del Refrigerador

## Limpieza y Mantenimiento

### Advertencia:

Para evitar una descarga eléctrica siempre desenchufe su refrigerador antes de limpiarlo. El ignorar esta advertencia puede causar esiones o la muerte.

### Precaución:

Antes de usar productos de limpieza, siempre lea y siga las instrucciones y advertencias del fabricante para evitar lesiones personales o daños al producto.

### En general:

- Prepare una solución de limpieza de 3-4 cucharadas de bicarbonato de sodio mezclado con agua tibia. Use una esponja o un trapo suave, humedecidos con la solución de limpieza, para limpiar su refrigerador.
- Enjuague con agua limpia tibia y seque con un trapo suave.
- No use químicos fuertes, abrasivos, amoníaco, cloro, detergentes concentrados, disolventes o estropajos metálicos. ALGUNOS de estos químicos pueden disolver, dañar y/o decolorar su refrigerador.

### Empaques de la puerta:

- Limpie los empaques de la puerta cada tres meses de acuerdo a las instrucciones generales. Los empaques deben mantenerse limpios y flexibles para asegurar un sellado apropiado.
- El aplicar un poco de vaselina en el lado articulado de los empaques mantendrá el empaque flexible y asegurará un sellado apropiado.

## Interrupciones de Energía

- Pueden ocurrir ocasionalmente interrupciones de energía debido a tormentas eléctricas u otras causas. Desenchufe el cable eléctrico del tomacorriente de corriente alterna cuando ocurra una interrupción en el sistema eléctrico. Cuando la electricidad haya regresado, vuelva a conectar el cable eléctrico a un tomacorriente de corriente alterna. Si ocurre una interrupción en el sistema eléctrico durante un periodo prolongado, inspeccione y deseche los alimentos descongelados o echados a perder en el refrigerador o congelador. Limpie el refrigerador antes de volver a usarlo.

## Vacaciones y Mudanza

- Durante ausencias largas o vacaciones, vacíe la comida del refrigerador y congelador, coloque el DIAL de temperatura a la posición de "OFF" (apagado) y limpie el refrigerador y los empaques de la puerta de acuerdo a la sección de "Limpieza general". Mantenga las puertas abiertas para que el aire pueda circular en el interior. Al mudarse, siempre traslade el refrigerador verticalmente. No lo traslade con la unidad colocada horizontalmente. Pudiera ocurrir un posible daño el sistema sellado.

# Verificación de Problemas

## El refrigerador no funciona:

- Revise que el control del termostato no esté en la posición de "OFF" (apagado).
- Revise que el refrigerador esté conectado.
- Revise que haya corriente eléctrica en el tomacorriente de corriente alterna, revisando el interruptor de circuito.

## La temperatura de los alimentos parece estar demasiado tibia:

- Apertura constante de la puerta.
- Dele tiempo a los alimentos tibios para que puedan alcanzar una temperatura fresca o de congelación.
- Revise que los empaques estén bien sellados.
- Ajuste el control de temperatura al ajuste más frío.

## La temperatura de los alimentos es demasiado fría:

- Si el ajuste del control de temperatura es muy frío, ajústelo a una temperatura más cálida y permita que pasen varias horas hasta que la temperatura se ajuste.

## El refrigerador se enciende frecuentemente:

- Esto puede ser normal para mantener una temperatura constante durante temperaturas altas y días húmedos.
- Las puertas pudieron haberse abierto frecuentemente o durante un largo periodo de tiempo.
- Revise que el empaque esté bien sellado.
- Revise que las puertas estén completamente cerradas

## Acumulación de humedad en el interior o exterior del refrigerador:

- Esto es normal durante periodos de alta humedad.
- Apertura constante o prolongada de la puerta.
- Revise que los empaques de la puerta estén bien sellados.

## El refrigerador despidе un olor:

- Necesita limpiar el interior.
- Los alimentos envueltos o sellados inadecuadamente están despidiendo los olores.

## La puerta del refrigerador/congelador no cierra correctamente:

- Nivele el refrigerador.
- Revise que no haya obstrucciones como contenedores de alimentos, la cubierta del cajón para frutas y verduras, entrepaños, recipientes, etc.

## Garantía Limitado

¿Qué está cubierto y por cuánto tiempo?

Esta garantía cubre cualquier defecto en la manufactura o empleo de materiales por un plazo de:

- 12 meses de mano de obra
- 12 meses en componentes
- 5 años en el sistema sellado

La garantía comienza en la fecha de compra del artículo, y la factura original de compra debe presentarse al centro de servicio autorizado para poder efectuar cualquier reparación que esté bajo garantía.

**EXCEPCIONES: Garantía por Uso Comercial o Bajo Arrendamiento**

- 90 meses en mano de obra (únicamente en taller)
- 90 días en componentes
- Ninguna otra garantía es válida

¿Qué está cubierto?

1. Los componentes mecánicos y eléctricos que cumplen con alguna función de este aparato durante un plazo de 12 meses. Esto incluye cualquier componente con excepción de acabados y molduras.
2. Los componentes del sistema sellado, como por ejemplo: compresor hermético, condensador, y evaporador, por defectos de manufactura durante un plazo de 5 años a partir de la fecha de compra. Cualesquier daños a tales componentes causados por abuso mecánico o manejo o transportación inadecuada no serán cubiertos.

¿Qué se hará?

1. Repararemos o reemplazaremos, a discreción nuestra, cualquier componente mecánico o eléctrico que se muestre defectuoso por uso normal durante el plazo así especificado.
2. No habrá cargos para el comprador por las partes y la mano de obra en cualesquier artículos cubiertos durante el periodo inicial de 12 meses. Al término de este periodo solo las partes son cubiertas en la garantía restante. La mano de obra no está provista y debe ser cubierta por el cliente.

3. Localice su centro de servicio autorizado más cercano.

Para conocer el nombre del centro de servicio más próximo a su domicilio, por favor llame al 1-877-337-3639 (Válido solo en E.U.A.).

**ESTA GARANTIA CUBRE APARATOS DENTRO DEL TERRITORIO CONTINENTAL DE LOS ESTADOS UNIDOS, PUERTO RICO Y CANADÁ.**

Daños por instalación inadecuada.  
 Daños por transportación.  
 Defectos que no sean por manufactura.  
 Daños por negligencia, abuso, accidente, alteración, falta de cuidado adecuado y de mantenimiento, o conexión a tensión eléctrica incorrecta.  
 Daños que no sean por uso doméstico.  
 Daños por servicio que no sea proporcionado a través de un distribuidor o centro de servicio autorizado. Molduras decorativas o focos reemplazables.  
 Envío y transportación.  
 Mano de obra (después de los primeros 12 meses).

**ESTA GARANTIA LIMITADA ES PROVISTA EN SUSTITUCION A CUALQUIER OTRA GARANTIA EXPRESADA O QUE IMPLIQUE LAS GARANTIAS MERCANTILES SUJETAS A CIERTO PROPOSITO.**

El amparo provisto por esta garantía es de uso exclusivo y se otorga en sustitución a cualquier otro amparo.

Esta garantía no cubre daños incidentales o sus derivados, por lo que las anteriores restricciones pueden serle ajenas. En ciertos estados no se permiten restricciones en lo que se refiere a la duración implícita de una garantía, por lo que las anteriores restricciones pueden serle ajenas.

Esta garantía le otorga ciertos derechos legales y es posible que usted goce de otros derechos, los cuales varían de estado a estado.

Haier America  
 New York, NY 10018

# **IMPORTANT**

## **Do Not Return This Product To The Store**

If you have a problem with this product, please contact the "Haier Customer Satisfaction Center"  
at 1-877-337-3639.

DATED PROOF OF PURCHASE, MODEL # AND SERIAL # REQUIRED FOR WARRANTY SERVICE

# **IMPORTANT**

## **Ne pas retourner cet article au magasin**

En cas de problème avec cet article, veuillez contacter le « Centre satisfaction client » de Haier  
au 1-877-337-3639.

UNE PREUVE D'ACHAT DATÉE, LE NUMÉRO DU MODÈLE ET LE NUMÉRO DE SÉRIE SONT  
OBLIGATOIRES POUR BÉNÉFICIER DE LA COUVERTURE OFFERTE PAR LA GARANTIE.

# **IMPORTANTE**

## **No Devuelva Este Producto al Establecimiento Compra.**

Si tiene problemas con este producto, por favor póngase en contacto con el "Centro Haier de  
Atención al Cliente" en el 1-877-337-3639.

PARA EL SERVICIO DE GARANTÍA SE REQUIERE PRUEBA DE COMPRA, FECHADA, No. DE MODELO  
Y No. DE SERIE

Made in China

Hecho en China

# **Haier®**



Haier America  
New York, NY 10018

Printed in China

HSA02WNC  
HSA03WNC  
HSA04WNC  
RF-9999-166  
Issued: March-04

VC532007  
No.0060507961