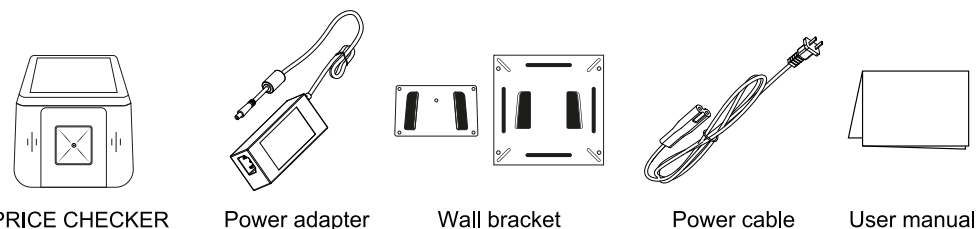


Spareparts & Accessories



PRICE CHECKER

Power adapter

Wall bracket

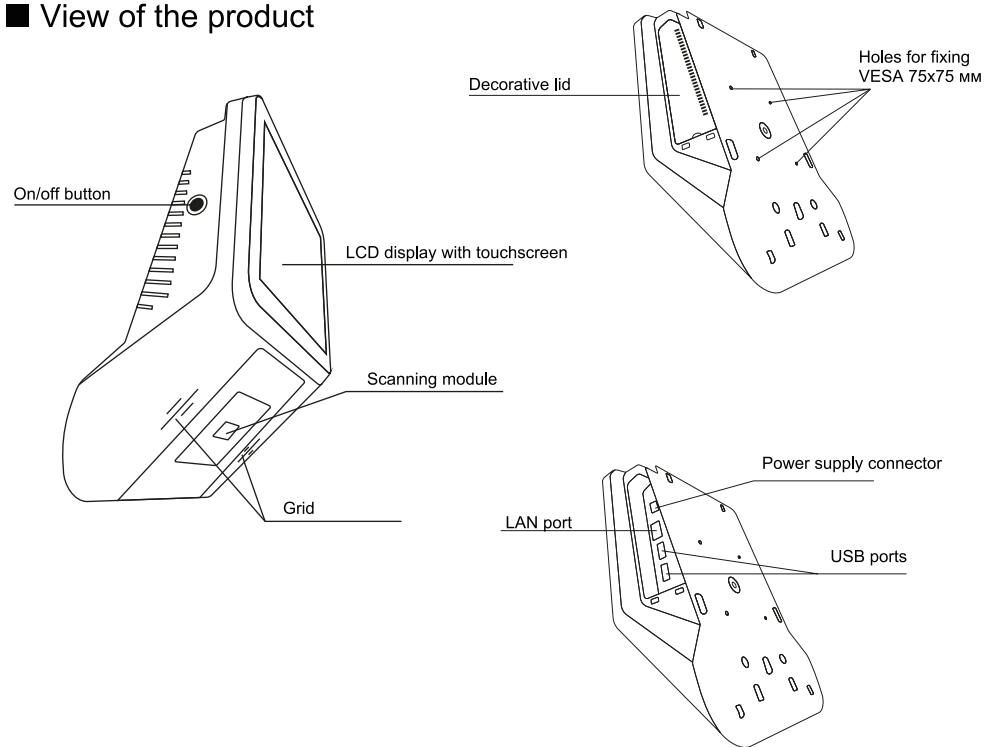
Power cable

User manual

The electronic version of the guide and other files can be downloaded at:

<https://www.pos-machine.com/>

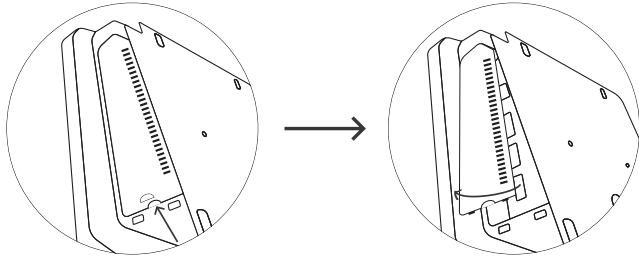
■ View of the product



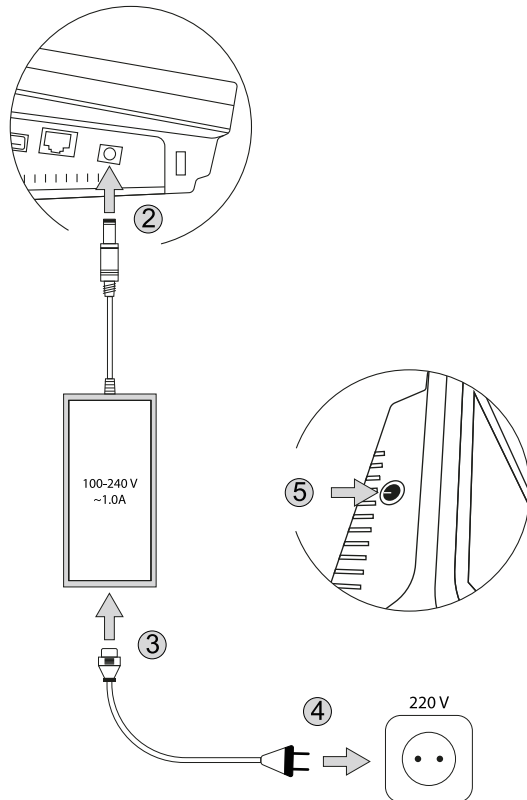
Power supply connection 1

Power supply via the power adapter

Remove the Decorative lid



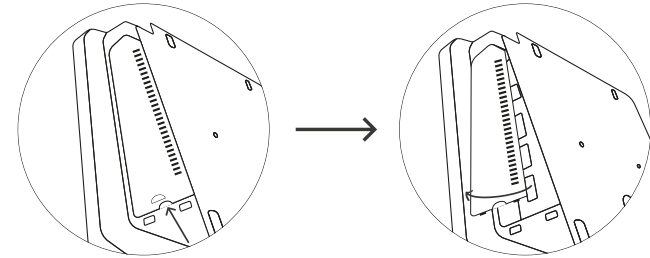
3. Connect the power cable to the connector on the power adapter
2. Connect the power adapter to the power connector of the device.
5. Turn on the device by pressing the button on
4. Plug the power cable into the socket.



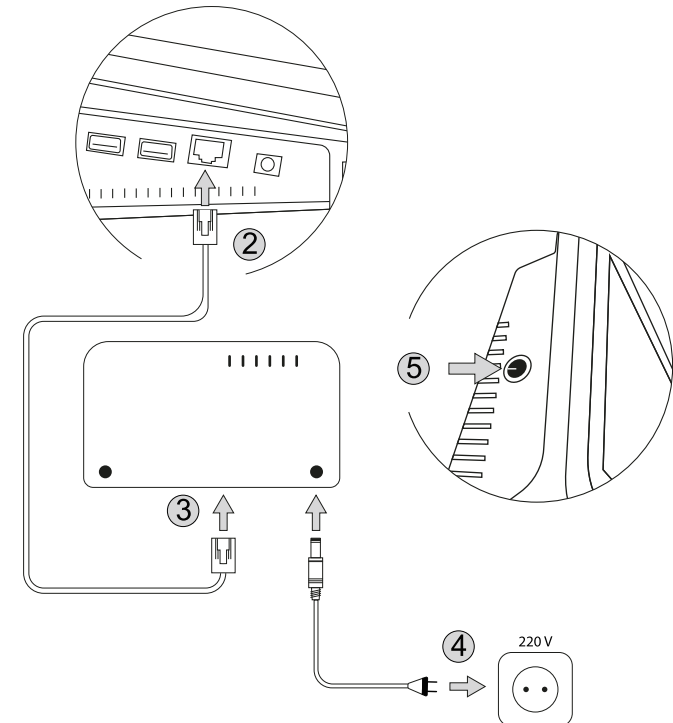
Power supply connection 2

Power supply via POE

1. Remove the Decorative lid



2. Connect the local network cable to the device LAN port.
3. Connect the local network cable to your POE LAN port.
5. Turn on the device by pressing the button on.
4. Make sure to power on the POE switch.



This device complies with Part 15 of the FCC Rules. Operation is subject to the following two conditions: (1) this device may not cause harmful interference, and (2) this device must accept any interference received, including interference that may cause undesired operation.

Changes or modifications to this unit not expressly approved by the party responsible for compliance could void the user's authority to operate the equipment.

NOTE: This equipment has been tested and found to comply with the limits for a Class B digital device, pursuant to Part 15 of the FCC Rules. These limits are designed to provide reasonable protection against harmful interference in a residential installation. This equipment generates uses and can radiate radio frequency energy and, if not installed and used in accordance with the instructions, may cause harmful interference to radio communications.

However, there is no guarantee that interference will not occur in a particular installation. If this equipment does cause harmful interference to radio or television reception, which can be determined by turning the equipment off and on, the user is encouraged to try to correct the interference by one or more of the following measures:

- Reorient or relocate the receiving antenna.

- Increase the separation between the equipment and receiver.

- Connect the equipment into an outlet on a circuit different from that to which the receiver is connected.

- Consult the dealer or an experienced radio/TV technician for help.

Specific Absorption Rate (SAR) information:

This device meets the government's requirements for exposure to radio waves. The guidelines are based on standards that were developed by independent scientific organizations through periodic and thorough evaluation of scientific studies. The standards include a substantial safety margin designed to assure the safety of all persons regardless of age or health.

FCC RF Exposure Information and Statement the SAR limit of USA (FCC) is 1.6 W/kg averaged over one gram of tissue. Device types: This device has also been tested against this SAR limit.

This device was tested for typical body-worn operations with the back of the This device kept 0mm from the body. To maintain compliance with FCC RF exposure requirements, use accessories that maintain an 0mm separation distance between the user's body and the back of This device. The use of belt clips, holsters and similar accessories should not contain metallic components in its assembly. The use of accessories that do not satisfy these requirements may not comply with FCC RF exposure requirements, and should be avoided