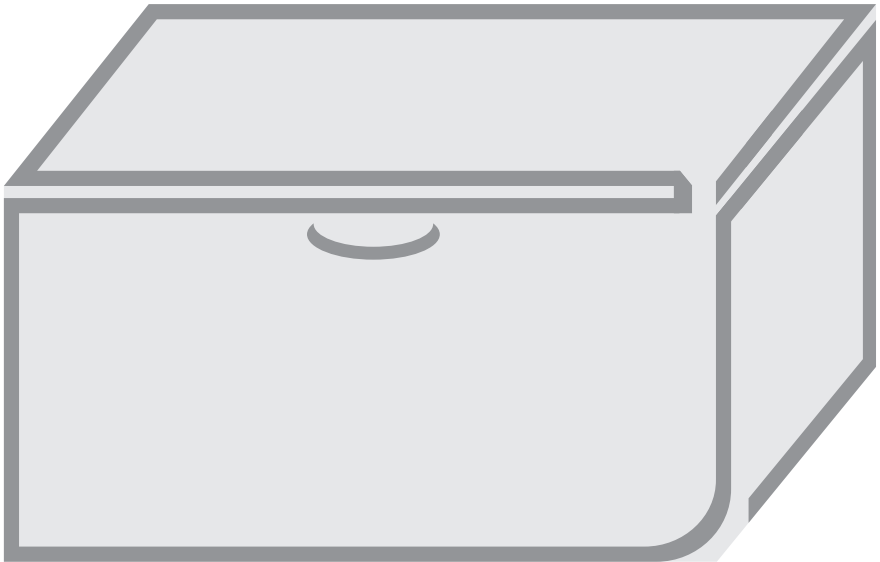


EN

gorenje

DETAILED INSTRUCTIONS FOR USE OF FREEZER CHEST



We thank you for the confidence you have shown by purchasing our appliance which is designed to simplify your life. To make the use of the product easier, we have supplied detailed instructions for use, and installation instructions supplied on a separate sheet. The instructions should allow you to learn about your new appliance as quickly as possible.

We wish you find a lot of pleasure in its use.

The appliance is intended solely for household use.

The freezer chest is intended for use in household, for freezing fresh food and long-term storage of frozen food (up to one year, depending on the type of food).

Please visit our website where you can enter your appliance model number, indicated on the rating plate or the warranty sheet, to find detailed description of your appliance, tips on use, troubleshooting, service information, instructions for use etc.



<http://www.gorenje.com>



Important safety warning

CONTENTS

4 IMPORTANT NOTES AND PRECAUTIONS 4 SAFETY AND WARNING INFORMATION	INTRODUCTION
11 INSTALLING YOUR NEW APPLIANCE 13 APPLIANCE DESCRIPTION 14 OPERATING THE APPLIANCE	APPLIANCE DESCRIPTION
16 DEFROSTING 17 CLEANING AND CARE	DEFROSTING AND CLEANING THE APPLIANCE
18 TROUBLESHOOTING 20 DISPOSAL OF THE APPLIANCE	MISCELLANEOUS

IMPORTANT NOTES AND PRECAUTIONS



SAFETY AND WARNING INFORMATION

For your safety and correct usage, before installing and first using the appliance, read this user manual carefully, including its hints and warnings. To avoid unnecessary mistakes and accidents, it is important to make sure that all people using the appliance are thoroughly familiar with its operation and safety features. Save these instructions and be sure that they remain with the appliance if it is moved or sold, so that anyone using it throughout its life, will be properly informed on its usage and safety notices. For the safety of life and property, keep the precautions of these user's instructions as the manufacturer is not responsible for damages caused by omission.

Safety for children and others who are vulnerable people

According to EN standard

This appliance can be used by children aged from 8 years and above and persons with reduced physical, sensory or mental capabilities or lack of experience and knowledge if they have been given supervision or instruction concerning use of the appliance in a safe way and understand the hazards involved. Children shall not play with the appliance. Cleaning and user maintenance shall not be made by children without supervision. Children aged from 3 to 8 years are allowed to load and unload refrigerating appliances.

According to IEC standard

This appliance is not intended for use by persons (including children) with reduced physical, sensory or mental capabilities, or lack of experience and knowledge, unless they have been given supervision or instruction concerning use of the appliance by a person responsible for their safety.

- Keep all packaging away from children as there is risk of suffocation.
- If you are discarding the appliance, pull the plug out of the socket, cut the connection cable (as close to the appliance as you can) and remove the door to prevent children playing from suffering an electric shock or from closing themselves inside it. I
- If this appliance, featuring a magnetic door seals, is to replace an older appliance having a spring lock (latch) on the door or lid, be sure to make the spring lock unusable before you discard the old appliance. This will prevent it from becoming a death trap for a child.



General safety

- **WARNING** —This appliance is intended to be used in household and similar applications such as
 - staff kitchen areas in shops, offices and other working environments;
 - farm houses and by clients in hotels, motels and other residential type environments;
 - bed and breakfast type environments;
 - catering and similar non-retail applications.

- WARNING — Do not store explosive substances such as aerosol cans with a flammable propellant in this appliance.
- WARNING — If the supply cord is damaged, it must be replaced by the manufacturer, its service agent or similarly qualified persons in order to avoid a hazard.
- WARNING — Keep ventilation openings, in the appliance enclosure or in the built-in structure, clear of obstruction.
- WARNING — Do not use mechanical devices or other means to accelerate the defrosting process, other than those recommended by the manufacturer.
- WARNING — Do not damage the refrigerant circuit.
- WARNING — Do not use electrical appliances inside the food storage compartments of the appliance, unless they are of the type recommended by the manufacturer.
- WARNING — The refrigerant and insulation blowing gas are flammable. When disposing of the appliance, do so only at an authorized waste disposal centre. Do not expose to flame. WARNING —When positioning the appliance, ensure the supply cord is not trapped or damaged.
- WARNING —Do not locate multiple portable socket-outlets or portable power supplies at the rear of the appliance.

Replacing the LED (some models only)

- WARNING—The LED light must not be replaced by the user! If the LED light is damaged, contact the customer helpline for assistance.

Refrigerant

The refrigerant isobutene (R600a) is contained within the refrigerant circuit of the appliance, a natural gas with a high level of environmental compatibility, which is nevertheless

flammable. During transportation and installation of the appliance, ensure that none of the components of the refrigerant circuit becomes damaged. The refrigerant (R600a) is flammable.

- **WARNING** — Refrigerators contain refrigerant and gases in the insulation. Refrigerant and gases must be disposed of professionally as they may cause eye injuries or ignition. Ensure that tubing of the refrigerant circuit is not damaged prior to proper disposal.



WARNING! Risk of fire/flammable materials.

If the refrigerant circuit should be damaged:

- Avoid opening flames and sources of ignition.
- Thoroughly ventilate the room in which the appliance is situated.

It is dangerous to alter the specifications or modify this product in any way.

Any damage to the cord may cause a short circuit, fire, and/or electric shock.



Electrical safety

- The power cord must not be lengthened.
- Make sure that the power plug is not crushed or damaged. A crushed or damaged power plug may overheat and cause a fire.
- Make sure that you can access the main plug of the appliance.
- Do not pull the main cable.
- If the power plug socket is loose, do not insert the power plug. There is a risk of electric shock or fire.

- You must not operate the appliance without the interior lighting lamp cover.
- The fridge is only applied with power supply of single phase alternating current of 220~240V/50Hz. If fluctuation of voltage in the district of user is so large that the voltage exceeds the above scope, for safety sake, be sure to apply A.C. Automatic voltage regulator of more than 350W to the fridge. The fridge must employ a special power socket instead of common one with other electric appliances. Its plug must match the socket with ground wire.

Daily use

- Do not store flammable gass or liquids in the appliance, There is a risk of an explosion.
- Do not operate any electrical appliances in the appliance (e.g.electric ice cream makers,mixers etc.).
- When unplugging always pull the plug from the mains socket,do not pull on the cable.
- Do not place hot items near the plastic components of this appliance.
- Do not place food products directly against the air outlet on the rear wall.
- Store pre-packed frozen food in accordance with the frozen food manufacture's instructions.
- The appliances manufactures storage recommendations should be strictly adhered to.Refer to relrelevant instructions for storage.
- Do not place carbonated or fizzy drinks in the freeze compartment as it creates pressure on the container,which may cause it to explode,resulting in damage to the appliance.
- Frozen food can cause frost burns if consumed straight from the freezer compartment.
- Do not place the appliance in direct sunlight.

- Keep burning candles, lamps and other items with naked flames away from the appliance so that do not set the appliance on fire.
- The appliance is intended for keeping food stuff and/ or beverages in normal household as explained in this instruction booklet The appliance is heavy. Care should be taken when moving it.
- Do not remove nor touch items from the freezer compartment if your hands are damp/wet, as this could cause skin abrasions or frost/freezer burns.
- Never use the base, drawers, doors etc. to stand on or as supports.
- Frozen food must not be refrozen once it has been thawed out.
- Do not consume ice popsicles or ice cubes straight from the freezer as this can cause freezer burn to the mouth and lips.
- To avoid items falling and causing injury or damage to the appliance, do not overload the door racks or put too much food in the crisper drawers.

caution!

Care and cleaning

- Before maintenance, switch off the appliance and disconnect the mains plug from the mains socket.
- Do not clean the appliance with metal objects, steam cleaner, ethereal oils, organic solvents or abrasive cleansers.
- Do not use sharp objects to remove frost from the appliance. Use a plastic scraper.

Installation Important!

- For electrical connection carefully, follow the instructions given in this manual.
- Unpack the appliance and check if there are damages on it. Do not connect the appliance if it is damaged. Report possible damages immediately to the place you bought it. In this case retain packing.
- It is advisable to wait at least four hours before connecting the appliance to allow the oil to flow back in the compressor.
- Adequate air circulation should be around the appliance, lacking this leads to overheating. To achieve sufficient ventilation, follow the instructions relevant to installation. Wherever possible the back of the product should not be too close to a wall to avoid touching or catching warm parts (compressor, condenser) to prevent the risk of a fire, follow the instructions relevant to installation.
- The appliance must not be locate close to radiators or cookers.
- Make sure that the mains plug is accessible after the installation of the appliance

Service

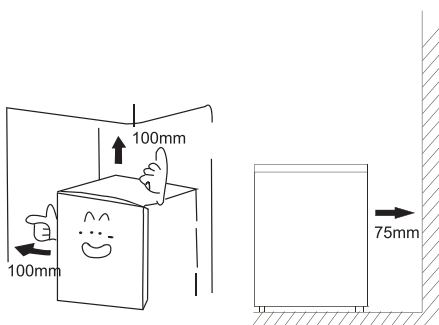
- Any electrical work required to do the servicing of the appliance should be carried out by qualified electrician or competent person.
- This product must be serviced by an authorized Service Center, and only genuine spare parts must be used.
 - 1) If the appliance is Frost Free.
 - 2) If the appliance contains freezer compartment.

INSTALLING YOUR NEW APPLIANCE

- Before using the appliance for the first time, you should review the following tips.

Ventilation of appliance

It is necessary to have good ventilation around the freezer to allow for the dissipation of heat, high efficiency, and low power consumption. For this reason, sufficiently cleared space should be available around the freezer. It is advisable for there to be 75 mm separating the back of the freezer to the wall and at least 100 mm of space on its two sides, a height of over 100 mm from its top.



Class	Temperature
SN	from +10 °C to +32 °C
N	from +16 °C to +32 °C
ST	from +16 °C to +38 °C
T	from +16 °C to +43 °C

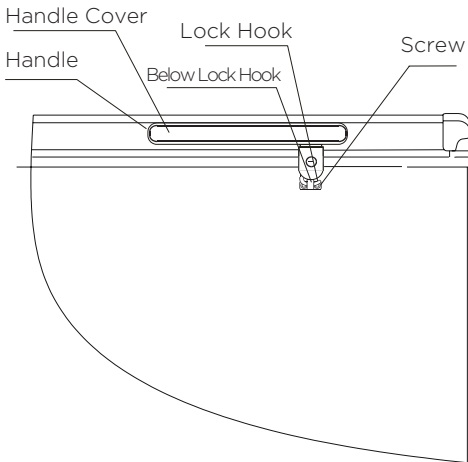
- Stand you appliance in a dry place to avoid damage by moisture.
- Keep the appliance out of direct sunlight, rain or frost. Stand the appliance away from heat sources such as stoves, fires or heaters.
- This appliance operates also by environmental temperature of -15°C if above instructions are strictly followed.

Leveling of appliance (models with feet)

The appliance should be level in order to eliminate vibration. To make the appliance level, it should be upright and both adjusters should be in stable contact with the floor. You can also adjust the level by unscrewing the appropriate level adjustment in the front (use your fingers or a suitable spanner).

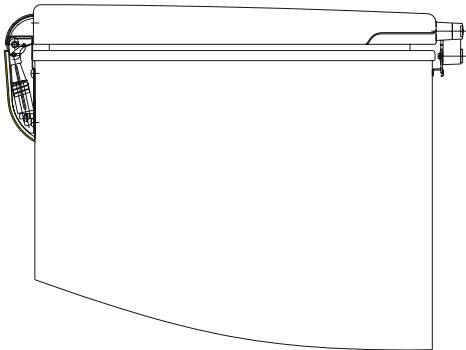
Installing the handle and hook

1. How to assemble the handle:



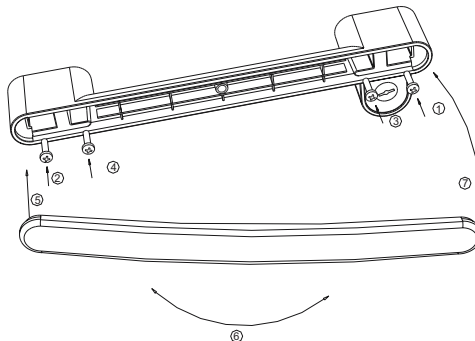
1. Take out the four screws from the plate of the handle;
2. Use the Philips type screws to fasten the handle.

2. How to assemble the hook:

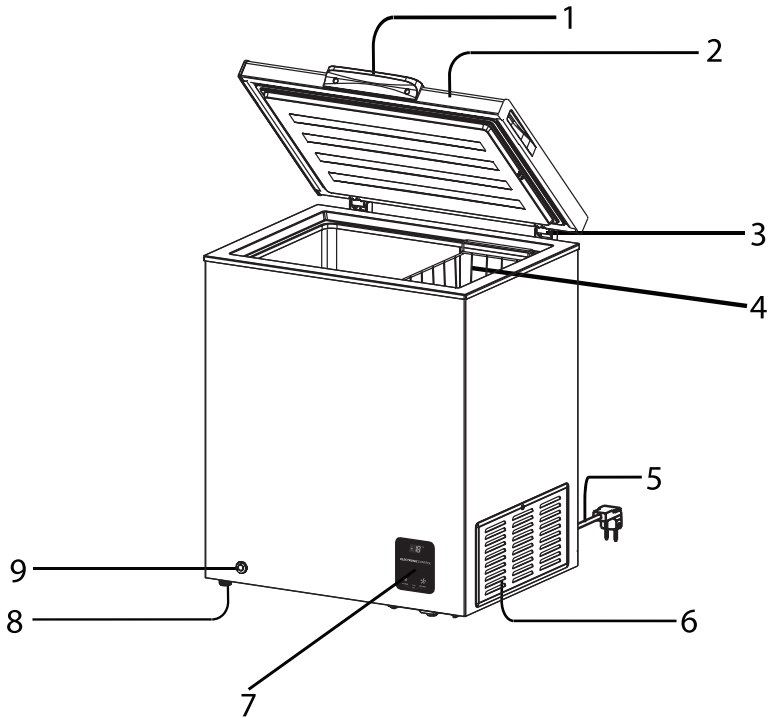


1. Disassemble two screws from the package;
2. Position the hook against the package and tightly fasten the Philips screws.

3. How to insert the handle-cover into the handle:



APPLIANCE DESCRIPTION



1. Door handle (different handle options)
2. Door
3. Hinge
4. Basket (some models only)

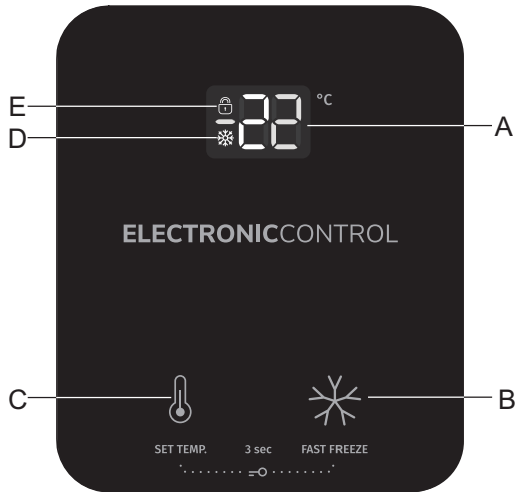
5. Power supply cord with plug
6. Side cover
7. Electronic Control
8. Foot/wheels (some models only)
9. Drain

Never touch the interior of the freezer chamber or frozen foods in the compartment with wet hands as this could result in frostbite.

The above picture is for reference only; configuration is subject to the actual product.

OPERATING THE APPLIANCE

TEMPERATURE SETTING



- A Temperature display area
- B Super freeze setting
- C Temperature setting
- D Super freeze display
- E Lock display

Prompt: Since the indicated temperature is not the actual temperature but the target temperature, the temperature in the box varies depending on the food to be stored.

Unlock

When the freezer key lock icon is lit, it means that the freezer is lock ed. At this point, continue to hold down the SET TEMP. and FAST FREEZE for about 3 seconds, the lock indicator goes out, the key lock is removed, and you can adjust the temperature and mode.

About 20 seconds without key operation, automatically lock the key.
About 60 seconds without key operation, the display is extinguished, at this time touch any key, display recovery.

Temperature setting

Under the key unlock status, each time press the Temp.Set key, from the current set temperature, the temperature display area changes as follows:
»-14->-15->-16...-22->-23->-24->-14«.

The setting will be effective if there is not any key operation about 10 seconds after setting.

Super freeze setting

Under the key unlock status and non - super freeze mode, the temperature display area shows »-25« after pressing B key once. Then, the super freeze setting will be effective if there is not any key operation for about 10 seconds. In the super freeze mode, under the key unlock status, press any key to quit the super freeze mode.

In the super freeze mode, the forced continuous refrigeration will exit automatically after a period of time and operation will be carried out at the original set temperature.

Note: the super freeze mode can realize quick refrigeration, but it can increase power consumption.

When the power is cut off, the refrigerator can remember the status before power cut automatically. After power resumption, the refrigerator operates as per the status before power cut. But the status before power cut cannot be remembered in the super freeze mode.

Alarm and processing

When the temperature display area shows »E1«, it means that the temperature sensing head of the freezer is out of order. Although the computer version will automatically control the operation, you should contact the maintenance point in time for maintenance.

DEFROSTING

You should defrost the freezer compartment two or three times a year when the ice is about 4 mm thick. to defrost, follow these steps:

- Set the thermostat to MAX at least 12 hours before defrosting.
- After this period has elapsed, switch off the freezer compartment by removing the plug from the main power supply.
- Remove all food from the freezer and wrap them in paper and store them in a cold place and leave the door open.
- When the defrosting is finished, the compartment must be cleaned and wiped dry.
- Switch the appliance back on using the thermostat set to MAX and wait at least one hour before replacing the foodstuffs.
- After a few hours the thermostat can be set back to the original position.
- **WARNING:** Do not use mechanicals devices or other artificial means to accelerate the defrosting process, other than those recommended by the manufacturer.
- **WARNING:** Do not use electricals appliances inside the food storage compartment of the appliances, unless they are of the type recommended by the manufacturer.

CLEANING AND CARE

For hygienic reasons the appliance (including exterior and interior accessories) should be cleaned regularly (at least every two months).

Warning!

The appliance must not be connected to the mains during cleaning. Danger of electrical shock! Before cleaning switch the appliance off and remove the plug from the mains socket.

Exterior cleaning

To maintain good appearance of your appliance, you should clean it regularly.

- Wipe the digital panel and display panel with a clean, soft cloth.
- Spray water onto the cleaning cloth instead of spraying directly on the surface of the appliance. This helps ensure an even distribution of moisture to the surface.
- Clean the doors, handles and cabinet surfaces with a mild detergent and then wiped dry with a soft cloth.

Warning!

- Do not use sharp objects as they are likely to scratch the surface.
- Do not use Thinner, Car detergent, Clorox, ethereal oil, abrasive cleansers or organic solvent such as Benzene for cleaning. They may damage the surface of the appliance and may cause fire.

Interior cleaning

You should clean the appliance interior regularly. It will be easier to clean when food stocks are low. Wipe the inside of the freezer with a weak solution of bicarbonate of soda, and then rinse with warm water using a wrung-out sponge or cloth. Thoroughly dry all surfaces and removable parts before putting them back into place.

TROUBLESHOOTING

If you experience a problem with your appliance or are concerned that the appliance is not functioning correctly, you can carry out some easy checks before calling for service, please see below. You can carry out some easy checks according to this section before calling for service.

Warning! Don't try to repair the appliance yourself. If the problem persists after you have made the checks mentioned below, contact a qualified electrician, authorized service engineer or the shop where you purchased the product.

Problem:	Solution
Power failure	<ul style="list-style-type: none">• Keep the opening and closing of the door for a minimum time to prevent cold air from escaping.• Avoid placing new items in the cooler as this will raise the temperature inside the compartment.• In case of a long power suspension, place dry ice in the freezer.
Power cord problems	<ul style="list-style-type: none">• If the supply cord is damaged it must be replaced by a special cord or assembly available from the manufacturer or the service agent.• The showcase must be positioned so that the plug is accessible to the wall outlet.
When not used for a long period	<ul style="list-style-type: none">• Remove all items from the compartment and disconnect the power cord plug from the wall outlet.• Clean the compartment interior and wipe away all water.• To prevent mold formation and foul odors, leave the door open to dry the compartment completely.
Transportation	<ul style="list-style-type: none">• Disconnect the power cord plug from the wall outlet.• When moving the appliance, make sure that the feet do not damage the power cord.• Do not let the feet hit against floor steps, thresholds, etc.
Temporary storage	<ul style="list-style-type: none">• Put piece of wood or other similar item between, the door and main unit to prevent closing of the door• Be sure not to store the unused chest freezer in a location where children play.• Should a child enter the compartment and the door is closed, the child may not be able to open the door from the inside.

Problem:	Solution
No refrigeration at all	<ul style="list-style-type: none"> • Is the power supply interrupted? • Is the power cord plug disconnected from the wall outlet? • Are the shop`s power fuses blown and/or circuit breaker activated? • Is the temperature control turned off?
Inadequate refrigeration	<ul style="list-style-type: none"> • Is the place of installation ventilated? • Is the freezer exposed to direct sunlight, placed near a heater or stove? • Are the lids opened and closed frequently? • Are items stocked beyond the load line? • Is a lot of frost forming in the freezer compartment?
Excessive noise	<ul style="list-style-type: none"> • Is the floor underneath the freezer the freezer sturdy enough? • Is the unit shaking and/or rattling? • Is the rear panel of the unit in contact with a wall, etc.? • Is there a container or something behind the freezer? The compressor will generate a rather loud sound for a while after operation is started. The noise will cease together with refrigeration.
Condensation on cooler exterior	<ul style="list-style-type: none"> • Condensation may condense on the exterior of the unit and the door during hot and humid days or depending on the place of installation. This occurs when the humidity is high and water particles in the cold surfaces. This is normal. Wipe away condensation with a dry cloth.
The circumference of chest freezer feels hot	<ul style="list-style-type: none"> • Especially in summer or in the period of starting running, the circumference of the chest freezer feels hot because the Chest freezer inside has a pipe for radiating and preventing condensation. The heat does not affect inside goods.

DISPOSAL OF THE APPLIANCE

It is prohibited to dispose of this appliance as household waste.


Packaging materials

Packaging materials with the recycle symbol are recyclable. Dispose of the packaging into a suitable waste collection container to recycle it.

Before disposal of the appliance

1. Pull out the mains plug from the mains socket.
2. Cut off the power cord and discard with the mains plug

Warning! Refrigerators contain refrigerant and gases in the insulation. Refrigerant and gases must be disposed of professionally as they may cause eye injuries or ignition. Ensure that tubing of the refrigerant circuit is not damaged prior to proper disposal.

	CORRECT DISPOSAL OF THIS PRODUCT
	<p>The symbol on the product or its packaging indicates that the product should not be treated as normal household waste. The product should be taken to an authorized collection centre for waste electric and electronic equipment processing. Correct disposal of the product will help prevent any negative effects on the environment and health of people which could occur in case of incorrect product removal. For detailed information on removal and processing of the product, please contact the relevant municipal body in charge of waste management, your waste disposal service, or the store where you bought the product.</p>

Gorenje, d.o.o.

Partizanska 12

SI - 3320 Velenje, Slovenija

info@gorenje.com

www.gorenje.com