



DRAPER[®]

12V ANALOGUE

TYRE INFLATOR

13274



UK
CA CE

These instructions accompanying the product are the original instructions. This document is part of the product, keep it for the life of the product passing it on to any subsequent holder of the product. Read all these instructions before assembling, operating or maintaining this product.

This manual has been compiled by Draper Tools describing the purpose for which the product has been designed, and contains all the necessary information to ensure its correct and safe use. By following all the general safety instructions contained in this manual, it will ensure both product and operator safety, together with longer life of the product itself.

All photographs and drawings in this manual are supplied by Draper Tools to help illustrate the operation of the product.

Whilst every effort has been made to ensure the accuracy of information contained in this manual, the Draper Tools policy of continuous improvement determines the right to make modifications without prior warning.

1. TITLE PAGE

1.1 INTRODUCTION:

USER MANUAL FOR: 12V Analogue Tyre Inflator

Stock No: 13274

Part No: ATI1

1.2 REVISIONS:

Date first published November 2021.

As our user manuals are continually updated, users should make sure that they use the very latest version.

Downloads are available from: <http://drapertools.com/manuals>

Draper Tools Limited
Hursley Road
Chandler's Ford
Eastleigh
Hampshire
SO53 1YF
UK

Draper Tools Limited
Oude Graaf 8
6002 NL
WEERT
Netherlands

Website: drapertools.com

Product Help Line: +44 (0) 23 8049 4344

General Fax: +44 (0) 23 8026 0784

1.3 UNDERSTANDING THIS MANUALS SAFETY CONTENT:

Warning! – Information that draws attention to the risk of injury or death.

Important – Information that draws attention to the risk of damage to the product or surroundings.

1.4 COPYRIGHT © NOTICE:

Copyright © Draper Tools Limited.

Permission is granted to reproduce this publication for personal and educational use only. Commercial copying, redistribution, hiring or lending is prohibited.

No part of this publication may be stored in a retrieval system or transmitted in any other form or means without written permission from Draper Tools Limited.

In all cases this copyright notice must remain intact.

2. CONTENTS

2.1 TABLE OF CONTENTS

1. TITLE PAGE

1.1 INTRODUCTION:.....	2
1.2 REVISIONS:.....	2
1.3 UNDERSTANDING THIS MANUALS SAFETY CONTENT:.....	2
1.4 COPYRIGHT © NOTICE:.....	2

2. CONTENTS

2.1 TABLE OF CONTENTS	3
-----------------------------	---

3. WARRANTY

3.1 WARRANTY	4
--------------------	---

4. INTRODUCTION

4.1 SCOPE.....	5
4.2 SPECIFICATION.....	5
4.3 HANDLING AND STORAGE.....	5

5. HEALTH AND SAFETY INFORMATION

5.1 GENERAL SAFETY INSTRUCTIONS FOR POWER TOOL USE	6
5.2 GENERAL SAFETY INSTRUCTIONS FOR INFLATORS.....	7
5.3 ADDITIONAL SAFETY INSTRUCTIONS FOR 12V AIR INFLATOR.....	8
5.4 CONNECTION TO THE POWER SUPPLY.....	8

6. TECHNICAL DESCRIPTION

6.1 IDENTIFICATION.....	9
-------------------------	---

7. UNPACKING AND CHECKING

7.1 PACKAGING	10
7.2 WHAT'S IN THE BOX	10

8. OPERATION

8.1 BEFORE USING THE INFLATOR	11
8.2 ATTACHMENT AND OPERATION.....	11
8.3 USING THE ADAPTORS FOR INFLATABLES	12
8.4 INTEGRAL LED WORKLIGHT.....	12

9. MAINTENANCE AND TROUBLESHOOTING

9.1 MAINTENANCE	13
9.2 TROUBLESHOOTING GUIDE.....	13

10. DISPOSAL

10.1 DISPOSAL	14
---------------------	----

11. EXPLANATION OF SYMBOLS

11.1 EXPLANATION OF SYMBOLS.....	15
----------------------------------	----

3. WARRANTY

3.1 WARRANTY

Draper tools have been carefully tested and inspected before shipment and are guaranteed to be free from defective materials and workmanship.

Should the tool develop a fault, please return the complete tool to your nearest distributor or contact:

Draper Tools Limited, Chandler's Ford, Eastleigh, Hampshire, SO53 1YF. England.

Telephone Sales Desk: +44 (0) 8049 4333 or Product Help Line +44 (0) 23 8049 4344.

A proof of purchase **must** be provided with the tool.

If upon inspection it is found that the fault occurring is due to defective materials or workmanship, repairs will be carried out free of charge. This warranty period covering parts/labour is 12 months from the date of purchase except where tools are hired out when the warranty period is 90 days from the date of purchase. This warranty does not apply to any consumable parts, any type of battery or normal wear and tear, nor does it cover any damage caused by misuse, careless or unsafe handling, alterations, accidents, or repairs attempted or made by any personnel other than the authorised Draper warranty repair agent.

Note: If the tool is found not to be within the terms of warranty, repairs and carriage charges will be quoted and made accordingly.

This warranty applies in lieu of any other warranty expressed or implied and variations of its terms are not authorised.

Your Draper warranty is not effective unless you can produce upon request a dated receipt or invoice to verify your proof of purchase within the warranty period.

Please note that this warranty is an additional benefit and does not affect your statutory rights.

Draper Tools Limited.

4. INTRODUCTION

4.1 SCOPE

This 12V analogue tyre inflator is used primarily for rapid inflation of tyres for cars, bicycles, motorcycles and small commercial vehicles. It is supplied with a range of adaptors, suitable for the inflation of balls, toys and other inflatable products. It features a built-in LED worklight and 3 metre 12V power cord with 'cigarette' type adaptor plug.

This product is suitable for enthusiasts and tradespersons alike. Any application other than that it was intended for is considered misuse.

4.2 SPECIFICATION

Stock No.	13274
Part No.	AT11
Rated voltage	12V
Rated power	100W
Fuse rating.....	15A
Inflation Time 0-30psi (Tyre 145/70 R10)	2 minutes 20 seconds
Inflation Time 25-30psi (Tyre 145/70 R10)	17 seconds / ? Please confirm spec
Max pressure.....	65psi
Max pressure inflation time.....	2m58s
Cylinder Size	19mm
Sound Pressure Level	Supplier doesn't have data – please confirm if remove dB(A)
Sound Power Level	Supplier doesn't have data – please confirm if remove dB(A)
Uncertainty (K):	3dB(A)

Can only suggest using below noise parameters from spec?

Operating sound levels..... 89 – 96db

Vibration level	Supplier doesn't have data – please confirm if remove	m/s ²
Uncertainty (K):		1.5m/s ²
Air Hose Length.....		430mm
Power Cord Length.....		3m
Dimensions		
Length		185mm
Width		140mm
Depth.....		60mm
Weight		650g

4.3 HANDLING AND STORAGE

- Care must be taken when handling this product.
 - Dropping this power tool could have an effect on its accuracy and could also result in personal injury. This product is not a toy and must be respected.
- Environmental conditions can have a detrimental effect on this product if neglected.
 - Exposure to damp air can gradually corrode components. If the product is unprotected from dust and debris, components will become clogged.
 - If not cleaned and maintained correctly or regularly, the machine will not perform at its best.

5. HEALTH AND SAFETY INFORMATION

5.1 GENERAL SAFETY INSTRUCTIONS FOR POWER TOOL USE

Warning! Read all safety warnings, instructions, illustrations and specifications provided with this power tool. Failure to follow all instructions listed below may result in electric shock, fire and/or serious injury.

Save all warnings and instructions for future reference.

The term “power tools” in the warnings refers to your mains-operated (corded) power tool or battery-operated (cordless) power tool.

1) Work area safety

- a) **Keep work area clean and well lit.** Cluttered or dark areas invite accidents.
- b) **Do not operate power tools in explosive atmospheres, such as in the presence of flammable liquids, gases or dust.** Power tools create sparks which may ignite the dust or fumes.
- c) **Keep children and bystanders away while operating a power tool.** Distractions can cause you to lose control.

2) Electrical safety

- a) **Power tool plugs must match the outlet. Never modify the plug in any way. Do not use any adapter plugs with earthed (grounded) power tools.** Unmodified plugs and matching outlets will reduce risk of electric shock.
- b) **Avoid body contact with earthed or grounded surfaces, such as pipes, radiators, ranges and refrigerators.** There is an increased risk of electric shock if your body is earthed or grounded.
- c) **Do not expose power tools to rain or wet conditions.** Water entering a power tool will increase the risk of electric shock.
- d) **Do not abuse the cord. Never use the cord for carrying, pulling or unplugging the power tool. Keep cord away from heat, oil, sharp edges or moving parts.** Damaged or entangled cords increase the risk of electric shock.
- e) **When operating a power tool outdoors, use an extension cord suitable for outdoor use.** Use of a cord suitable for outdoor use reduces the risk of electric shock.
- f) **If operating a power tool in a damp location is unavoidable, use a residual current device (RCD) protected supply.** Use of an RCD reduces the risk of electric shock.

3) Personal safety

- a) **Stay alert, watch what you are doing and use common sense when operating a power tool. Do not use a power tool while you are tired or under the influence of drugs, alcohol or medication.** A moment of inattention while operating power tools may result in serious personal injury.
- b) **Use personal protective equipment Always wear eye protection.** Protective equipment such as a dust mask, non-skid safety shoes, hard hat or hearing protection use for appropriate conditions will reduce personal injuries.
- c) **Prevent unintentional starting. Ensure the switch is in the off-position before connecting to power source and/or battery pack, picking up or carrying the tool.** Carrying power tools with your finger on the switch or energising power tools that have the switch on invites accidents.
- d) **Remove any adjusting key or wrench before turning the power tool on.** A wrench or a key left attached to a rotating part of the power tool may result in personal injury.
- e) **Do not overreach. Keep proper footing and balance at all times.** This enables better control of the power tool in unexpected situations.

5. HEALTH AND SAFETY INFORMATION

- f) **Dress properly. Do not wear loose clothing or jewellery. Keep your hair and clothing away from moving parts.** Loose clothes, jewellery or long hair can be caught in moving parts.
- g) **If devices are provided for the connection of dust extraction and collection facilities, ensure these are connected and properly used.** Use of dust collection can reduce dust-related hazards.
- h) **Do not let familiarity gained from frequent use of tools allow you to become complacent and ignore tool safety principles.** A careless action can cause severe injury within a fraction of a second.

4) Power tool use and care

- a) **Do not force the power tool. Use the correct power tool for your application.** The correct power tool will do the job better and safer at the rate for which it was designed.
- b) **Do not use the power tool if the switch does not turn it on and off.** Any power tool that cannot be controlled with the switch is dangerous and must be repaired.
- c) **Disconnect the plug from the power source and/or remove the battery pack, if detachable, from the power tool before making any adjustments, changing accessories, or storing power tools.** Such preventive safety measures reduce the risk of starting the power tool accidentally.
- d) **Store idle power tools out of the reach of children and do not allow persons unfamiliar with the power tool or these instructions to operate the power tool.** Power tools are dangerous in the hands of untrained users.
- e) **Maintain power tools and accessories. Check for misalignment or binding of moving parts, breakage of parts and any other condition that may affect the power tool's operation. If damaged, have the power tool repaired before use.** Many accidents are caused by poorly maintained power tools.
- f) **Keep cutting tools sharp and clean.** Properly maintained cutting tools with sharp cutting edges are less likely to bind and are easier to control.
- g) **Use the power tool, accessories and tool bits etc. in accordance with these instructions, taking into account the working conditions and the work to be performed.** Use of the power tool for operations different from those intended could result in a hazardous situation.
- h) **Keep handles and grasping surfaces dry, clean and free from oil and grease.** Slippery handles and grasping surfaces do not allow for safe handling and control of the tool in unexpected situations.

5) Service

- a) **Have your power tool serviced by a qualified repair person using only identical replacements parts.** This will ensure that the safety of the power tool is maintained.

5.2 GENERAL SAFETY INSTRUCTIONS FOR INFLATORS

Warning! Please read the following instructions carefully failure to do so could lead to serious personal injury.

Important: Draper Tools recommends that this inflator should not be modified or used for any application other than that for which it was designed. If you are unsure of its relative applications do not hesitate to contact us in writing and we will advise you.

Know your inflator. Before operating the inflator, read and fully understand the starting, operating and stopping sections in this manual. Read all labels affixed to the inflator. Learn its applications and limitations.

Servicing and maintenance. Do not service or maintain this inflator until you have read and understood the maintenance section of this manual.

5. HEALTH AND SAFETY INFORMATION

Check damaged parts. Before further use of this inflator, parts that are damaged should be carefully checked to ensure that it will operate correctly and perform its intended function. Check for alignment of moving parts, breakage of parts and any other conditions that may effect its operation. A guard or other part that is damaged should be properly repaired or replaced.

Disconnect from power supply. Before servicing, maintaining or replacing damaged parts ALWAYS disconnect the inflator from the power supply.

Avoid dangerous environments. Do not use the inflator in damp or wet locations or expose it to rain. Keep the work area well lit. Provide adequate surrounding work space.

Avoid accidental starting. Ensure the switch on the inflator is in the “OFF” position before connecting to a power supply.

Never leave the inflator running unattended. Disconnect from the power supply. Do not leave the inflator until it comes to a complete stop.

Use recommended accessories. Only use the recommended adaptors as supplied.

Overheating. Operation over an extended period of time will overheat the unit and damage the inflator. When this occurs stop the unit immediately and do not restart until cool, approximately 20 minutes (depending on environmental conditions).

Keep children away. Ensure the inflator is stored out of reach of small children.

Tyre pressure. The gauge on the inflator is intended as a guide only. Tyre pressures should be regularly checked against a tyre pressure gauge manufactured to BS4613.

Have this tool repaired by a qualified person. This tool is designed to conform to the relevant international and local standards and as such should be maintained and repaired by someone qualified; using only original parts supplied by the manufacturer: This will ensure the tool remains safe to use.

5.3 ADDITIONAL SAFETY INSTRUCTIONS FOR 12V AIR INFLATOR

- This product is designed for occasional use. Inflation over a long period may over heat and cause damage to this product and potential harm to user.
- This product should not operate for more than **8 minutes at a time (Please confirm)**. After which it must be switched off for at least **15 minutes. (Please confirm)**
- Inspect your 12V Air Inflator and battery before each use. If damaged parts are found, have this tool repaired by a qualified person.
- Never expose the inflator or battery to rain, frost or temperatures above **50°C (Please confirm)**.
- Never use the inflator near flammable fluids or gasses. Make sure your area is well lit.
- Protect yourself against electric shock. Avoid contact with grounded surfaces such as pipes, radiators, electric stoves, refrigerators etc.
- Never leave children unattended with this inflator.
- Never point or aim this product at other persons or animals. This air inflator is not a toy!

5.4 CONNECTION TO THE POWER SUPPLY

Caution: Risk of electric shock. Do not open.

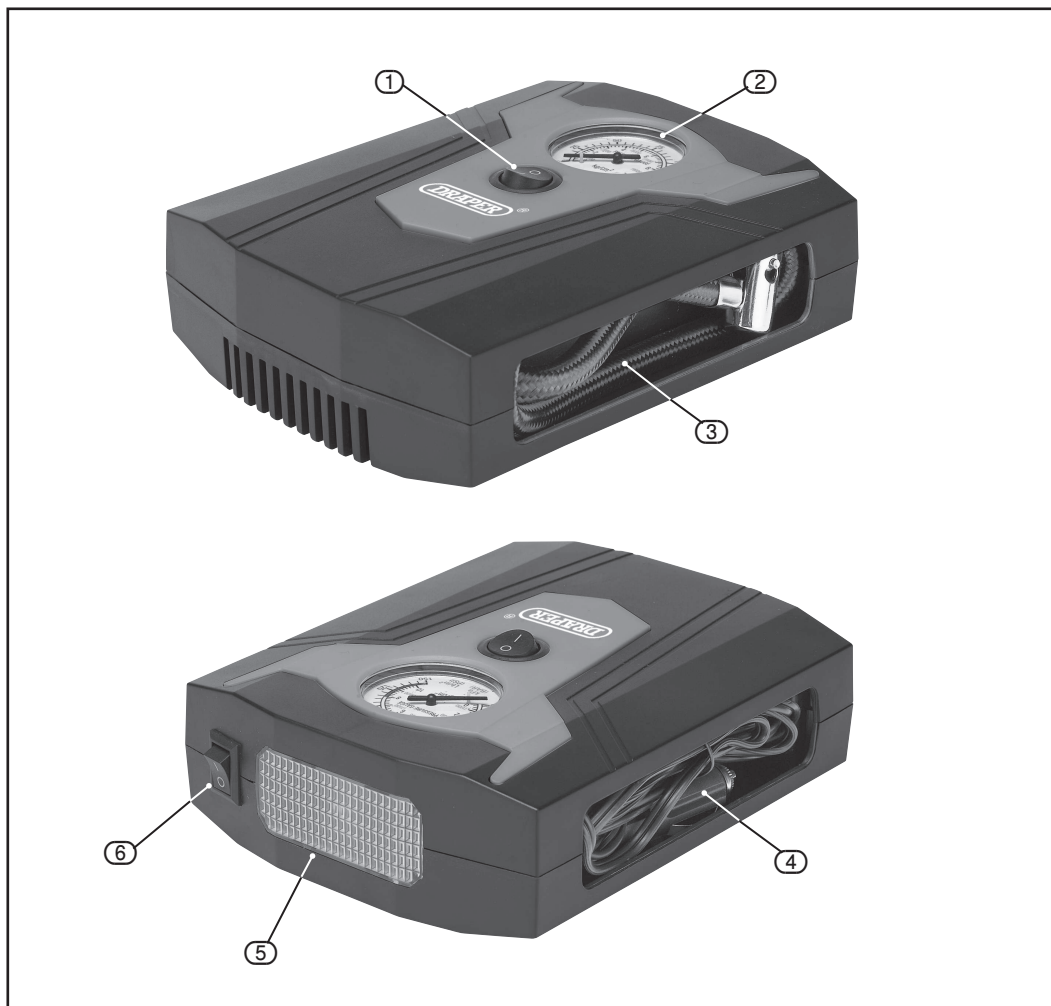
This appliance is supplied with an approved plug and cable for your safety.

Never use a damaged or incomplete plug.

Position cable safely to avoid tripping over.

6. TECHNICAL DESCRIPTION

6.1 IDENTIFICATION



- ① Inflation ON/OFF switch.
- ② Pressure gauge.
- ③ Air line with thumb lock connector.
- ④ 12V power cable with accessory/cigarette type plug.
- ⑤ LED worklight.
- ⑥ LED worklight ON/OFF switch.

7. UNPACKING AND CHECKING

7.1 PACKAGING

Carefully remove the product from the packaging and examine it for any sign of damage that may have happened during shipping. Lay the contents out and check them against the parts shown below. If any part is damaged or missing, please contact the Draper Help Line (the telephone number appears on the Title page) and do not attempt to use the product.

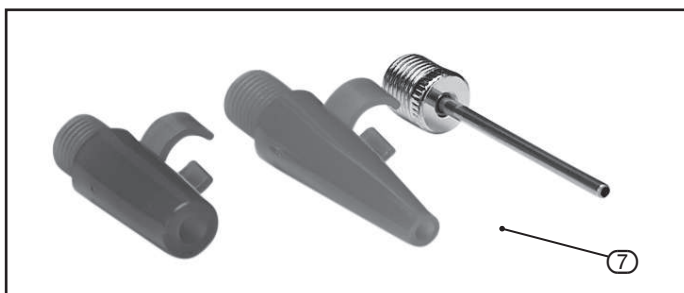
The packaging material should be retained at least during the warranty period, in case the machine needs to be returned for repair.

Warning!

- Some of the packaging materials used may be harmful to children. Do not leave any of these materials in the reach of children.
- If any of the packaging is to be thrown away, make sure they are disposed of correctly, according to local regulations.

7.2 WHAT'S IN THE BOX

As well as the main product, there are several parts not fitted or attached to it.



- ⑦ Inflatable adaptors.

Note: For details of our full range of accessories and consumables, please visit drapertools.com

8. OPERATION

8.1 BEFORE USING THE INFLATOR

Warning! Always check that the vehicle is in neutral and the handbrake is applied before attempting to use this product.

Important! Whilst it is necessary for the vehicle's ignition to be set to the "I"/ON position, it is also recommended that the engine should also be running, so that full power is supplied to the inflator and discharging of the vehicle's battery is avoided.

Warning! This product has been designed to be used with a vehicle's 12V DC accessory/cigarette socket connection. **DO NOT** connect it to any other type of electrical power outlet.

8.2 ATTACHMENT AND OPERATION – FIGS.1 – 4

Important: As per the advice in the above section, it is recommended at this point that the vehicle's engine is running.

- Connect the 12V supply cable and plug (4) to the vehicle's 12V DC accessory/cigarette socket.
- Release the thumb lock (3.1) on the air line connector (3).
- Attach the air line connector to the valve of the tyre (or other inflatable item).
- Close the thumb lock (3.1) of the air line connector to make an air tight secure connection.
- The pressure gauge (2) will then display the current pressure of the tyre/inflatable.
- Turn the ON/OFF switch (1) to the 'ON' / 'I' position – the compressor will start and the needle on the pressure gauge will activate.
- Periodically switch the inflator to OFF, letting the pressure gauge reading settle, so as to obtain a more accurate reading.
- Once the required pressure has been reached, switch off the inflator and disconnect the air line connector from the valve.

Important: The gauge on the inflator is intended as a guide only. Tyre pressures should be regularly checked against a tyre pressure gauge manufactured to BS4613.

- Remove the 12V supply plug (3) from the vehicle's 12V DC accessory/cigarette socket.

Important: The inflator should not be operated for more than **8 minutes** in one session. After this time, the inflator should be switched off and the compressor allowed to cool before further operation.

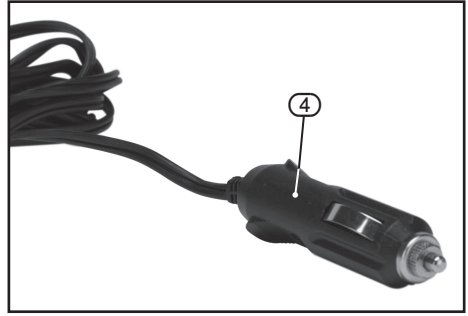


FIG.1



FIG.2

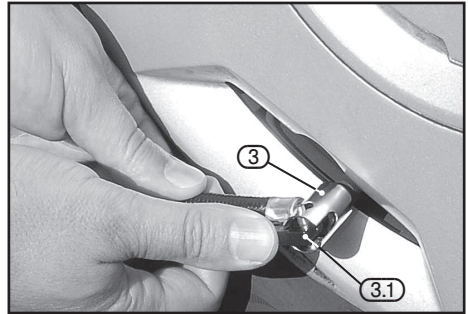


FIG.3

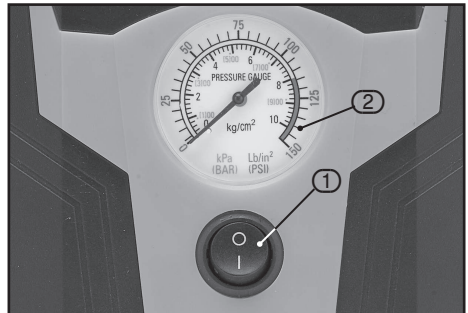


FIG.4

8. OPERATION

8.3 USING THE ADAPTORS FOR INFLATABLES – FIG.5

Select the suitable adaptor from those supplied (7) and secure into the air line connector (3).

- Insert the adaptor into the item to be inflated.
- Follow the procedure outlined in chapter 8.2 (page 11) to inflate the item.

Warning! Do not over inflate.

8.4 INTEGRAL LED WORKLIGHT – FIG.6

The inflator incorporates an integral LED worklight, which is convenient when using the inflator at night or in overcast conditions.

- The worklight is operated by using the ON/OFF switch (6).

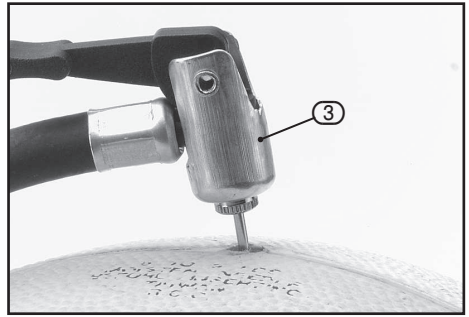


FIG.5



FIG.6

9. MAINTENANCE AND TROUBLESHOOTING

9.1 MAINTENANCE

Note: Remove the plug from the socket before carrying out adjustment, servicing or maintenance. Regular inspection and cleaning reduces the necessity for maintenance operations and will keep your tool in good working condition.

The motor must be correctly ventilated during tool operation. Avoid blocking the air inlets and vacuum the ventilation slots regularly.

9.2 TROUBLESHOOTING GUIDE

Problem	Possible Cause	Remedy
Inflator compressor does not operate	Poor connection between plug and socket	Gently turn plug in 12V accessory/cigarette socket until contact is made Check socket for loose debris such as tobacco or other obstructions
	Power supply fuse blown	Check vehicle's supply fuse for the 12V accessory/cigarette socket
	Unsure	Return to an authorised service agent for diagnosis
Inflator runs, but doesn't inflate	Poor connection onto the valve	Ensure the air line connector has been pushed firmly onto the valve, before using the thumb lock to lock in place. Check the item for leaks
	Air escaping	Ensure the air line has no breaks or leaks at the connector fitting
Inflator runs slowly	Overheating	Unplug from power supply and leave to cool for approx. 15 minutes – please confirm
	Voltage too low	Check the condition of the vehicles battery

Important: All repairs/servicing should be carried out by a qualified person.

10. DISPOSAL

10.1 DISPOSAL

- At the end of the machine's working life, or when it can no longer be repaired, ensure that it is disposed of according to national regulations.
- Contact your local authority for details of collection schemes in your area.

In all circumstances:

- Do not dispose of power tools with domestic waste.
- Do not incinerate.
- Do not dispose of WEEE* as unsorted municipal waste.



* *Waste Electrical & Electronic Equipment.*

11. EXPLANATION OF SYMBOLS

11.1 EXPLANATION OF SYMBOLS



Read the instruction manual.



Wear face mask and safety glasses.



Wear ear defenders.



Do not abandon into the environment.



Keep out of the reach of children.



Warning!



12V DC power.



PSI air pressure scale.



bar air pressure scale.



Air line length.



Power supply cable length.



WEEE –
Waste Electrical & Electronic Equipment.
Do not dispose of Waste Electrical & Electronic
Equipment in with domestic rubbish.



UK Conformity Assessed.



European conformity.

CONTACTS

Draper Tools Limited

UK: Hursley Road, Chandler's Ford, Eastleigh,
Hampshire. SO53 1YF. U.K.

EU: Oude Graaf 8
6002 NL Weert (NL)

Help Line: (023) 8049 4344

Sales Desk: (023) 8049 4333

Internet: drapertools.com

E-mail: sales@drapertools.com

General Enquiries: (023) 8026 6355

Service/Warranty Repair Agent:

For aftersales servicing or warranty repairs, please contact the
Draper Tools Help Line for details of an agent in your local area.

YOUR DRAPER STOCKIST

SQCH1121

©Published by Draper Tools Limited.

No part of this publication may be reproduced, stored in a retrieval system or transmitted in any form or by any means, electronic, mechanical photocopying, recording or otherwise without prior permission in writing from Draper Tools Ltd.