

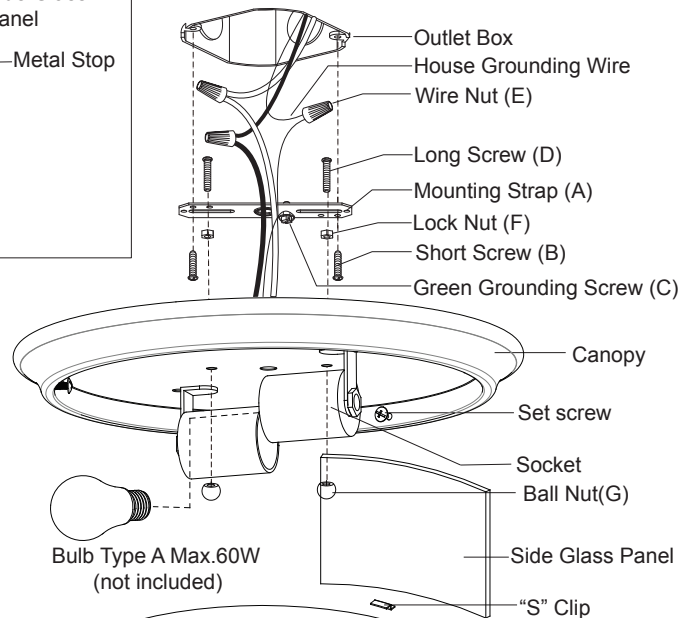
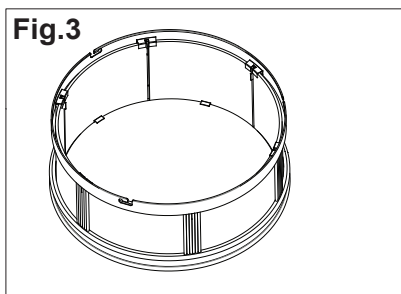
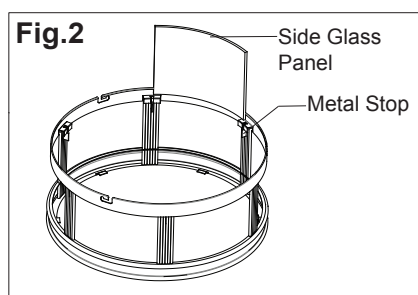
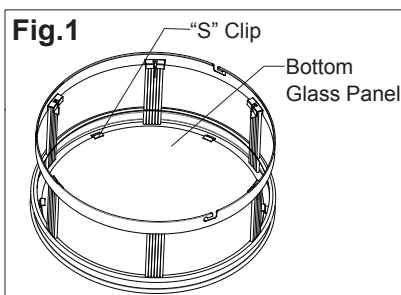
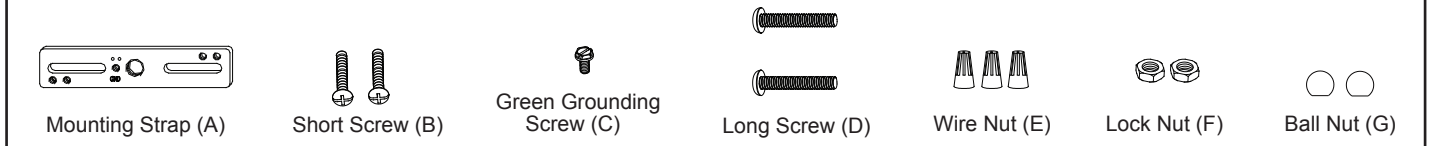
# ASSEMBLY AND INSTALLATION INSTRUCTIONS

T0155

**WARNING: Turn off the main power at circuit breaker before installing fixture.**  
**AVERTISSEMENT: Coupez la source d'alimentation principale au panneau central de disjoncteurs avant d'installer le luminaire.**

**NOTES: 1. Before installing, consult local electrical codes for wiring and grounding requirements.**  
**2. READ AND SAVE THESE INSTRUCTIONS.**

## Hardware Package (included):

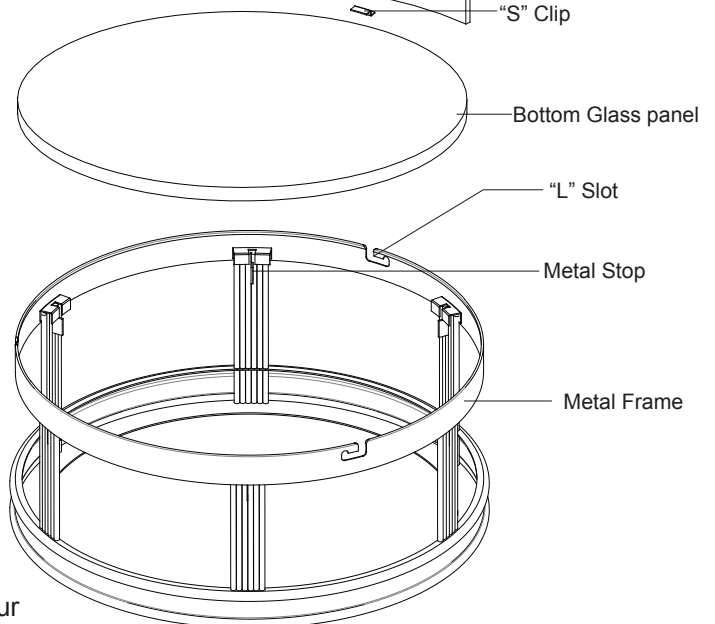


Bulb Type A Max.60W  
 (not included)

## Assembly Instructions:

**Turn off the power at fuse or circuit box.**

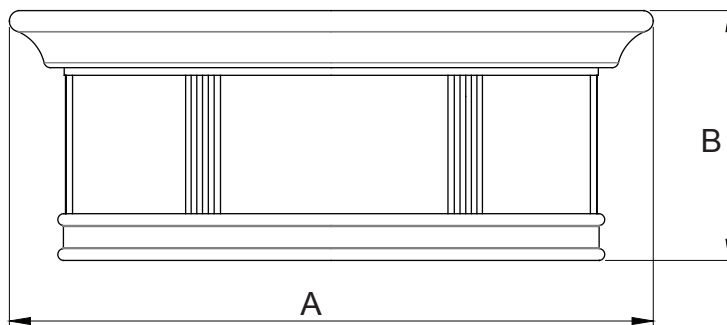
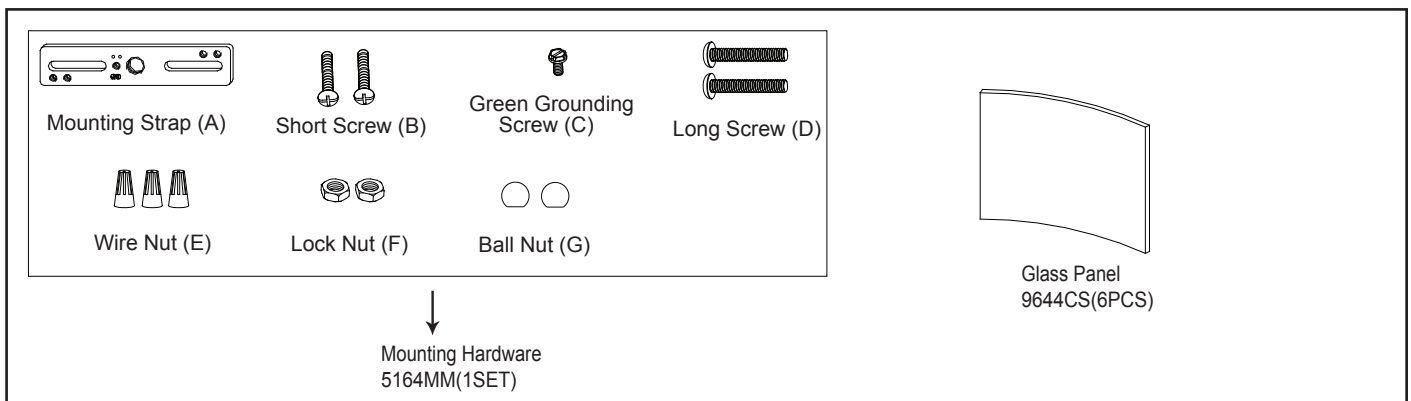
1. Thread two long screws to the mounting strap, and secure with two lock nuts. Adjust the length of the long screws if necessary.
2. Attach the mounting strap to the outlet box using two short screws.
3. Pull out the source wires from the outlet box. Make wire connections using wire nuts as follows:
  - Connect the hot wire (usually black insulation) from the fixture to the black wire from the power source.
  - Connect the neutral wire (usually white insulation) from the fixture to the white wire from the power source.
  - Attach the fixture grounding wire (usually bare wire) to the mounting strap with the green grounding screw, then connect it to the house grounding wire with a wire nut. If your outlet box does not have a house grounding wire, then wrap the fixture grounding wire around the green grounding screw.
 Carefully put the wires back into the outlet box.



4. Attach the canopy to the mounting strap: insert the long screws through the two holes, and secure it with two ball nuts.  
CAUTION: With silicone caulking compound, caulk completely around where back of canopy meets with the ceiling surface to prevent water from seeping into the outlet box.
5. Install bulbs (not included). See relamping label at socket area or packaging for maximum allowed wattage.
6. Place the bottom glass panel into the metal frame, and set the six "S" clips on the slot and fix the bottom glass panel by inserting the side glass panels onto the "S" clips, then press the top clips of the metal frame to secure the side glass panels. (See Fig 1. / Fig 2. / Fig 3.)
7. Attach the metal frame to the ceiling pan by locating set screws into the "L" slots, then turn it clockwise until it is locked in place.

**Turn on the power at fuse or circuit box.**

**The following parts are available for re-order if damaged or missing.**



A: 12"  
B: 4-3/4"