

## Operating and Installation Instructions



### Downdraft Ventilation System DA 6480, DA 6490 DAG 500, DAG 1000

To prevent accidents  
and appliance damage,  
read these instructions

**before**



installation or use.

en - US, CA

M.-Nr. 09 045 140

# Contents

---

<b>IMPORTANT SAFETY INSTRUCTIONS</b> .....	3
<b>Functional description</b> .....	7
<b>Description of the appliance</b> .....	8
<b>Operation</b> .....	10
Raising the vent / Turning on the fan .....	10
Selecting the power level .....	10
Delayed shut-off feature  <sup>15</sup> .....	10
Temperature warning  .....	11
<b>Cleaning and Care</b> .....	12
Grease filters .....	13
<b>After Sales Service</b> .....	15
<b>Installation instructions</b> .....	17
<b>Caring for the environment</b> .....	19
<b>Appliance dimensions</b> .....	20
<b>Installation</b> .....	26
Installation with the DAG 1000 external blower .....	34
<b>Air extraction</b> .....	35
<b>Electrical connection</b> .....	37

# IMPORTANT SAFETY INSTRUCTIONS

## READ AND SAVE THESE INSTRUCTIONS

Keep these operating instructions in a safe place and pass them on to any future user.

**Read these Instructions carefully before installing or using the Ventilation System.**

- ▶ This appliance is intended for residential use only. Use the appliance only for its intended purpose.
- ▶ This appliance complies with current safety requirements. Improper use of the appliance can lead to personal injury and material damage.

**⚠ CAUTION**  
**For General Ventilating Use Only. Do Not Use To Exhaust Hazardous Or Explosive Materials And Vapors.**

- ▶ This appliance is designed to vent cooking smoke and odors only.
- ▶ This appliance is suitable for installation beside gas or electric cooking surfaces.
- ▶ This appliance is not intended for outdoor use.
- ▶ This appliance must not be used in a non-stationary location (e.g. on a ship).

**⚠ WARNING**  
**TO REDUCE THE RISK OF FIRE, ELECTRIC SHOCK, OR INJURY TO PERSONS, OBSERVE THE FOLLOWING:**

- ▶ a) Use this appliance only in the manner intended by the manufacturer. If you have questions, contact Miele.
- ▶ b) Before servicing or cleaning the appliance, switch power off at the service panel and lock the service disconnecting means to prevent power from being switched on accidentally. If the service disconnecting means cannot be locked, securely fasten a prominent warning device, such as a tag, to the service panel.
- ▶ c) Be certain your appliance is properly installed and grounded by a qualified technician.  
To guarantee the electrical safety of this appliance, continuity must exist between the appliance and an effective grounding system. It is imperative that this basic safety requirement be met. If there is any doubt, have the electrical system of the house checked by a qualified electrician.

# IMPORTANT SAFETY INSTRUCTIONS

---

▶ d) Before connecting the appliance to the power supply make sure that the voltage and frequency listed on the data plate correspond with the household electrical supply. This data must correspond to prevent appliance damage. If in doubt consult a qualified electrician.

▶ e) Installation work and repairs should only be performed by a qualified technician in accordance with all applicable codes and standards. Repairs and other work by unqualified persons could be dangerous.

▶ f) Only open the housing as described in the "Cleaning and care" section of this manual. Under no circumstances should any other parts of the housing be opened. Tampering with electrical connections or components and mechanical parts is highly dangerous to the user and can cause operational faults.

▶ g) Before discarding an old appliance, disconnect it from the power supply and remove the power cord.

## Use

### **WARNING** **TO REDUCE THE RISK OF A COOKTOP GREASE FIRE:**

▶ a) Never leave surface units unattended at high settings. Boilovers cause smoking and greasy spillovers may ignite. Heat oils slowly on low or medium settings.

▶ b) Always turn the ventilation system on when cooking at a high heat.

▶ c) Clean the ventilation system frequently. Grease should not be allowed to accumulate on the fan or filter.

▶ d) Use the proper pan size. Always use cookware appropriate for the size of the cooking area.

▶ e) Do not flambé or grill with an open flame beside the ventilation system. Flames could be drawn into the ventilation system by the suction and the grease filters may catch fire.

# IMPORTANT SAFETY INSTRUCTIONS

**⚠ WARNING**  
**TO REDUCE THE RISK OF INJURY TO PERSONS IN THE EVENT OF A COOKTOP GREASE FIRE, OBSERVE THE FOLLOWING\*:**

▶ a) **SMOTHER FLAMES** with a close fitting lid, cookie sheet, or metal tray then turn off the burner.

**BE CAREFUL TO PREVENT BURNS.** If the flames do not go out immediately, **EVACUATE AND CALL THE FIRE DEPARTMENT.**

▶ b) **NEVER PICK UP A FLAMING PAN** - You may be burned.

▶ c) **DO NOT USE WATER**, including wet dishcloths or towels - a violent steam explosion will result.

▶ d) Use a fire extinguisher **ONLY** if:

- 1) You have a class ABC extinguisher, and you know how to operate it.
- 2) The fire is small and contained in the area where it started.
- 3) The fire department has been called.
- 4) You can fight the fire with your back to an exit.

\* Based on "Kitchen Firesafety Tips" published by NAFTA

▶ Do not allow children to play with or operate the appliance or its controls. Supervise its use by the elderly or infirm.

▶ Never operate gas burners without cookware. Turn the burner off when not in use. Adjust the burner so that the flames do not extend beyond the cookware. Do not overheat the cookware, e.g. when using a wok. The ventilation system can be damaged due to excessive heat from the burners and the cookware.

▶ Do not use the ventilation system without the grease filters in place.

▶ Do not use a steam cleaner to clean the ventilation system. Steam could penetrate electrical components and cause a short circuit.

# IMPORTANT SAFETY INSTRUCTIONS

## Installation

**⚠ WARNING**  
**TO REDUCE THE RISK OF**  
**FIRE, ELECTRIC SHOCK, OR**  
**INJURY TO PERSONS,**  
**OBSERVE THE FOLLOWING:**

- ▶ a) Installation work and electrical wiring must be done by qualified persons in accordance with all applicable codes and standards, including fire-rated construction.
- ▶ b) Sufficient air is needed for combustion and exhausting of gases through the flue. Follow all equipment manufacturer's guideline and safety standards such as those published by the National Fire Protection Association (NFPA) and the American Society for Heating, Refrigeration and Air Conditioning Engineers (ASHRAE), and the local code authorities.
- ▶ c) When cutting or drilling into the wall or ceiling, do not damage electrical wiring and/or other hidden utilities.
- ▶ d) Ducted ventilation systems must always be vented to the outdoors.
- ▶ e) Do not use this ventilation system with any solid-state speed control device.
- ▶ f) Do not use an extension cord to connect the appliance to electricity. Extension cords do not guarantee the required safety of the appliance, (e.g. danger of overheating).

▶ g) Do not install this ventilation system beside cooktops that burn solid fuel.

▶ h) Provided a larger distance is not given by the manufacturer of the cooktop, follow the minimum safety distances between a cooktop and the ventilation system given in the "Appliance dimensions" section of this manual.

If local building codes require a greater safety distance, follow their requirement.

▶ i) Never connect a ventilation system to an active chimney, dryer vent, vent flue, or room ventilating ductwork.

▶ j) Seek professional advice before connecting an exhaust vent to an existing, inactive chimney or vent flue.

▶ k) Any fittings, sealant, or materials used to install the ductwork must be made of approved non-flammable materials.

**⚠ WARNING**  
**TO REDUCE THE RISK OF**  
**FIRE USE ONLY METAL**  
**DUCTWORK.**

The ventilation system offers two installation options:

**with the internal DAG 500 exhaust blower (not included)**

The air is drawn through and cleaned by the grease filters and then directed outside.

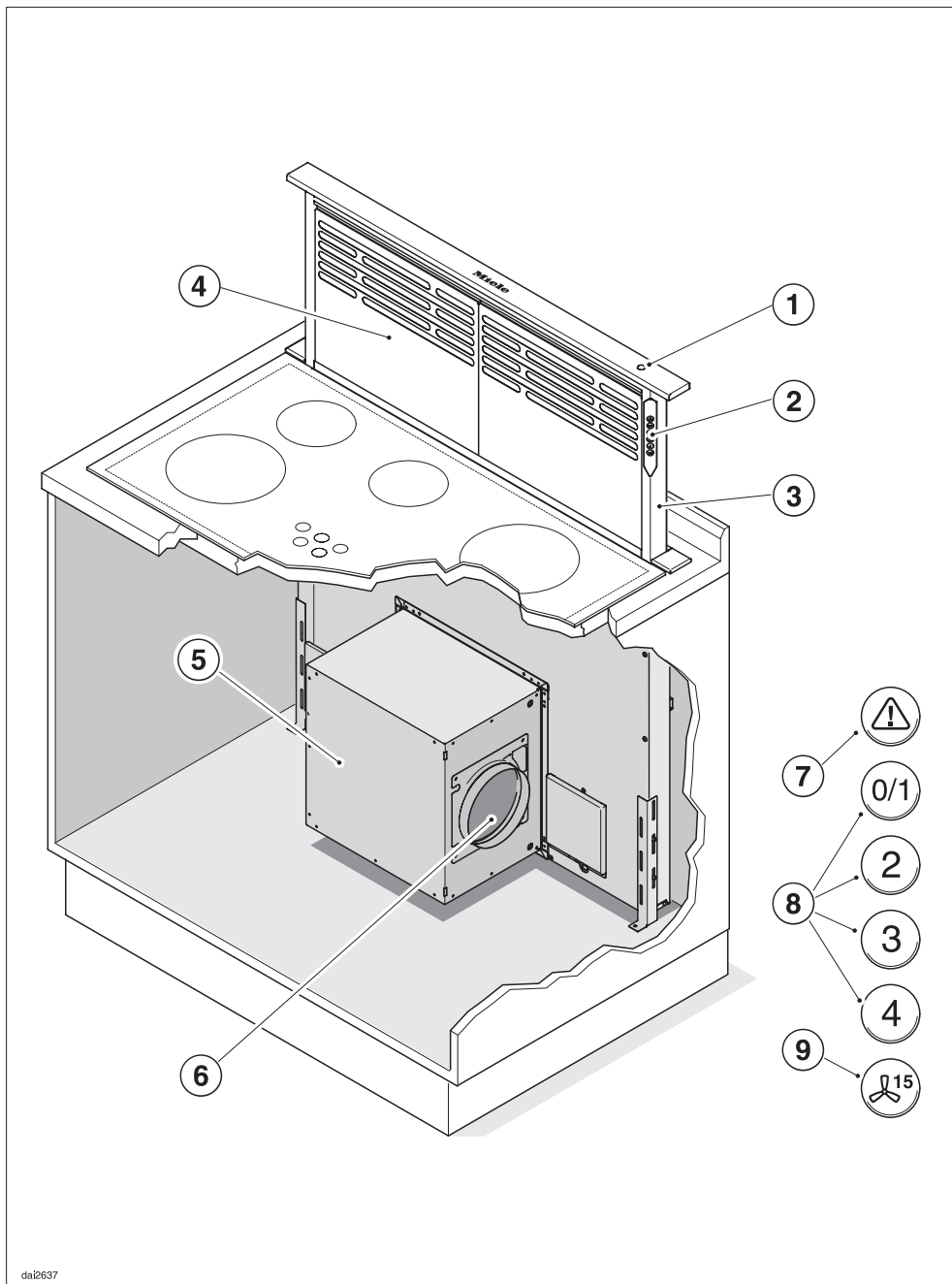
**with the DAG 1000 external blower (not included)**

The air is drawn through and cleaned by the grease filters and then directed outside.

The external blower is designed to be installed in a different location than the ventilation system.

The external blower is connected to the ventilation system by a control cable, and exhaust ductwork and is operated via the ventilation system's control panel.

# Description of the appliance



dal2637

① **On/Off button for the retractable vent and fan**

② **Control panel**

③ **Retractable vent**

④ **Grease filter**

⑤ **Exhaust blower DAG 500**  
(not included)

The exhaust blower can also be installed behind the appliance.

⑥ **Vent collar**

The vent collar can be installed so that the exhaust vents to either side, downwards, or to the rear.

⑦ **Temperature warning light**

The warning light will flash if the temperature of the vent exceeds 113 °F (45°C).

⑧ **Power level settings**

The button **0/1** can also be used to turn off the fan without retracting the vent.

⑨ **Delayed shut down feature**

When pressed, the power will be reduced to level 1 and the fan will automatically shut down after 15 minutes.

# Operation

---

## Raising the vent / Turning on the fan

- Press the On/Off button on the top of the ventilation system.

The vent will rise.

The fan will start at power level 2.

The fan will automatically turn off if it is blocked while rising or retracting.

When the obstruction is removed, press the On/Off button on the top of the appliance to restart it.

## Selecting the power level

- Use buttons **1** to **4** to select the desired power level.

Typically, levels **1** to **3** are sufficient for regular cooking needs.

## Intensive level


- To remove intensive vapors or odors, such as when pan-frying, select power level **4**.

## Delayed shut-off feature <sup>15</sup>

We recommend that you let the fan run for several minutes after you have finished cooking.

This will help remove any remaining vapors or odors from the kitchen.

The Delayed shut down feature lets you set the fan to shut off automatically after 15 minutes.

- With the fan on press the Delayed shut down button <sup>15</sup>.  
The fan will turn off in 15 minutes.  
The vent will remain up.
- To lower the vent, press the On/Off button on the top of the appliance.

## Turning the fan off / Lowering the vent

- Press the On/Off button on the top of the appliance.

The fan turns off.


The vent retracts.

- If you wish to turn off the fan but leave the vent up for cleaning, press and hold the **0/1** button until the fan turns off.
- To turn the fan back on, press the **0/1** button again.

## Temperature warning

The ventilation system can become very hot during operation. It can cause burns, particularly when cooking with gas.

The ventilation system is equipped with a temperature sensor.

The warning light  above the control panel will flash when the temperature of the housing exceeds 113 °F (45°C).

When this happens, do not touch the housing or the grease filters (e.g. to clean).

The ventilation system can still be used.

## Please note:

Turn off the appliance immediately if a pot boils over and liquid flows over the burner towards the ventilation system. The liquid could damage the ventilation system.

- Turn off the ventilation system by pressing the **0/1** button.
- Disconnect the ventilation system from the power supply, see "Important Safety Instructions".
- Leave the ventilation system off for an extended period of time so that any liquid that may have entered can evaporate.

**Do not** open the housing to remove the liquid.

# Cleaning and Care

---

Before cleaning or servicing the ventilation system, disconnect it from the power supply, see "Important Safety Instructions".

## Cleaning the casing

Never use abrasive cleaners, scouring pads, steel wool or caustic (oven) cleaners on the ventilation system. They **will** damage the surface.

- All external surfaces and controls can be cleaned with a mild solution of warm water and liquid dish soap applied with a soft sponge.
- Wipe dry using a soft cloth.

Do not use too much water when cleaning the controls. Water could penetrate the electronics and cause damage.

Avoid:

- cleaning agents containing lye, acids or chlorides,
- abrasive cleaning agents, e.g. powder or cream cleansers,
- abrasive sponges, i.e. pot scourers or sponges which have been previously used with abrasive cleaning agents.

These will damage the surface.

The following instructions for cleaning "Stainless steel" surfaces should be followed **in addition to** the general "Cleaning the casing" instructions.

### Stainless steel

Stainless steel surfaces can be cleaned using a non-abrasive stainless steel cleaner.

To help prevent resoiling, a conditioner for stainless steel can be applied.

Cleaners are available from Miele.

## Special instructions for control buttons


The controls may change or become discolored if not cleaned regularly, clean soiled areas immediately.

Do not use a stainless steel cleaner on the controls.

## Grease filters

The reusable metal grease filters remove solid particles from the vented kitchen air (grease, dust, etc). This helps keep the ventilation system clean.

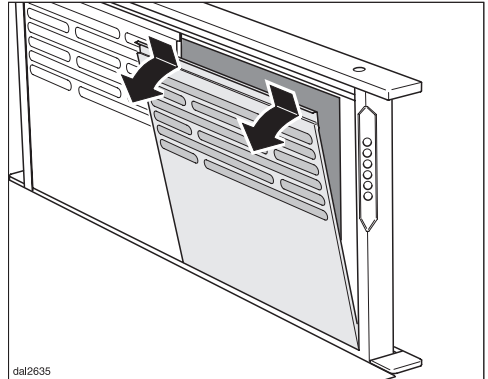
The grease filters should be cleaned every 3 - 4 weeks, otherwise cleaning will become more difficult.

 A dirty filter is a fire hazard.

- Press the On/Off button on the top of the ventilation system.

The vent will rise.  
The fan will start at power level 2.

- Press and hold the **0/1** button until the fan turns off.



- At the upper edge, push the grease filter down until you can pull it forward, then up and out.

Hold the filter securely to prevent it from falling and damaging the cooktop.

The ventilation system cannot be operated when the filters are removed.

# Cleaning and Care

## Cleaning the grease filters

- **By hand:** use a scrub brush with a solution of warm water and mild dish soap.

Do not use the pure detergent, aggressive all purpose cleaners, oven sprays, abrasive cleaning agents or limescale removers. They could damage the filter.

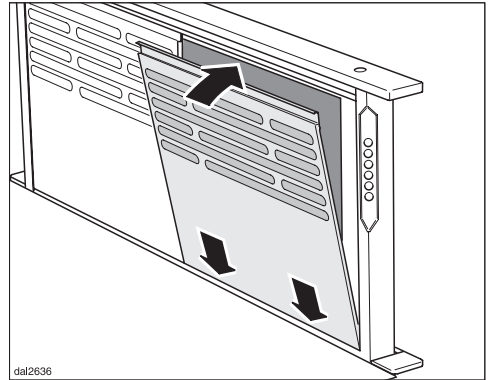
- **In a dishwasher:** place the filter vertically in the lower basket, making sure that the spray arm is not blocked.

Use a hot temperature program, e.g. "Heavy Soil" or "Pots and pans". Use the recommended amount of dishwasher detergent. Overuse of detergent could damage the filter.

Depending on the detergent, cleaning the grease filters in a dishwasher may cause permanent discoloration of the filter surface. Filter performance will not be affected by this discoloration.

- After cleaning, place the filters on a towel to air dry.

- While the filters are removed, clean any dirt or grease from the filter casing.



- Place the filters in the bottom of the vent. Press them downwards at the edge so that they clip into the frame at the top.
- Press the **0/1** button to turn the appliance on.

If the retractable vent does not work after the cleaned filters have been replaced:

- Press the grease filters firmly into position again. There is a switch at the top, behind the grease filters. It prevents the ventilation system from being turned on when the grease filters are not in place.

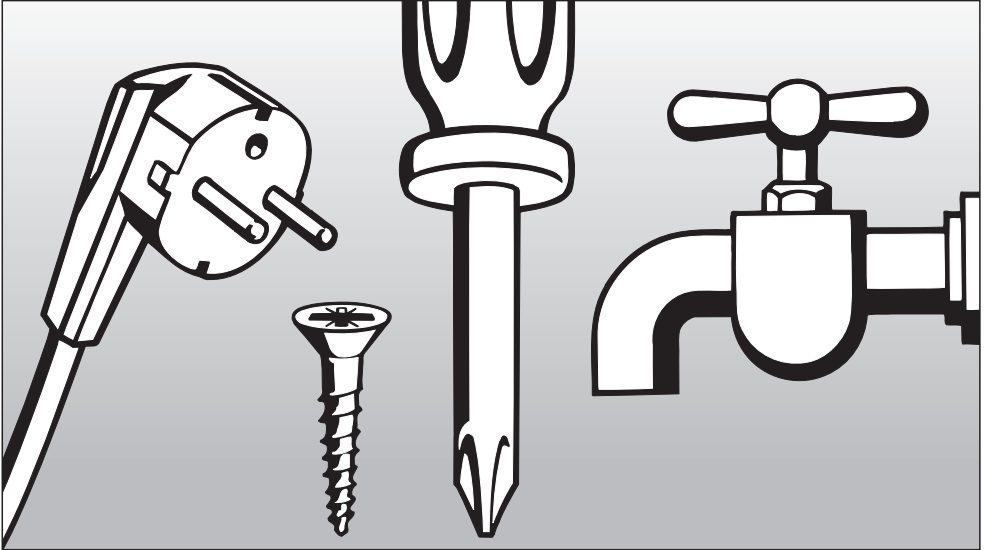
### Repairs

In the event of a fault which you cannot easily fix yourself, please contact the Miele Technical Service Department.

- When contacting the Technical Service Department, please have the model and serial number of your appliance available.

These can be found on the data plate located on the housing above the connection box.





## Installation Instructions

Read these instructions and the "Important Safety Instructions" before installing this ventilation system.

The installation steps are described in the enclosed "Installation Diagram".

Leave these instructions with the appliance for the consumer/user.

Information is subject to change. Please refer to our website to obtain the most current product specification, technical & warranty information.



### Disposal of packing material

The cardboard box and packing materials protect the appliance during shipping. They have been designed to be biodegradable and recyclable. Please recycle.

**DANGER**

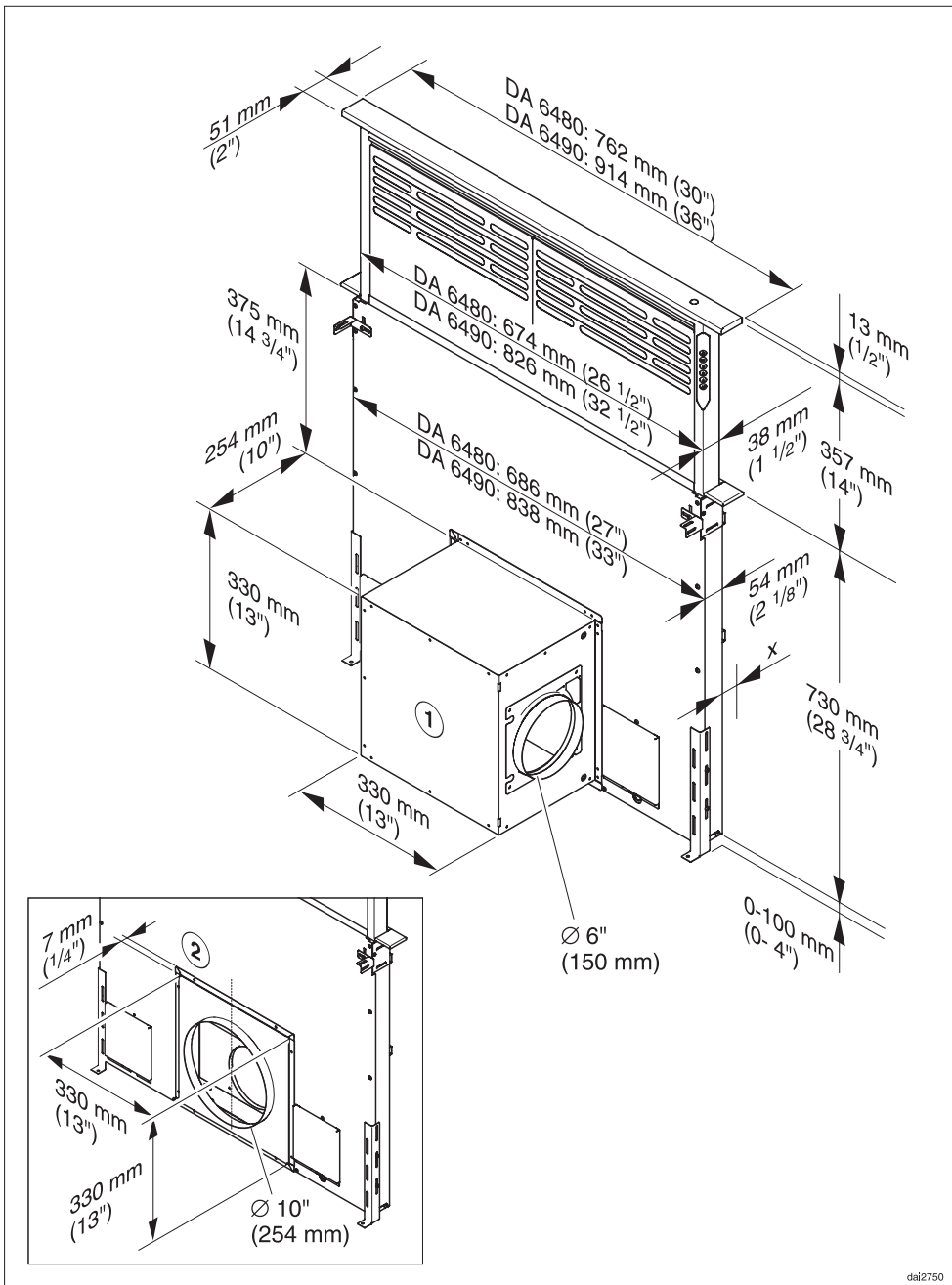
Ensure that any plastic wrappings, bags, etc., are disposed of safely and kept out of the reach of babies and young children. Danger of suffocation!

### Disposal of an old appliance

Old appliances may contain materials that can be recycled. Please contact your local recycling center about the possibility of recycling these materials.

Before discarding an old appliance, disconnect it from the electrical supply and cut off the power cord to prevent it from becoming a hazard.

# Appliance dimensions



dai2750

## ① DAG 500 Internal blower

The blower box can be mounted in such a way that the vent collar is aligned to the left, the right, downwards or towards the rear, as desired.

## ② Connection plate when using the DAG 1000 external blower

The blower or the connection plate can also be mounted in the same position on the rear of the appliance.

x = Distance to the rear of the cabinet or wall. Must be a minimum of ½" (13 mm).

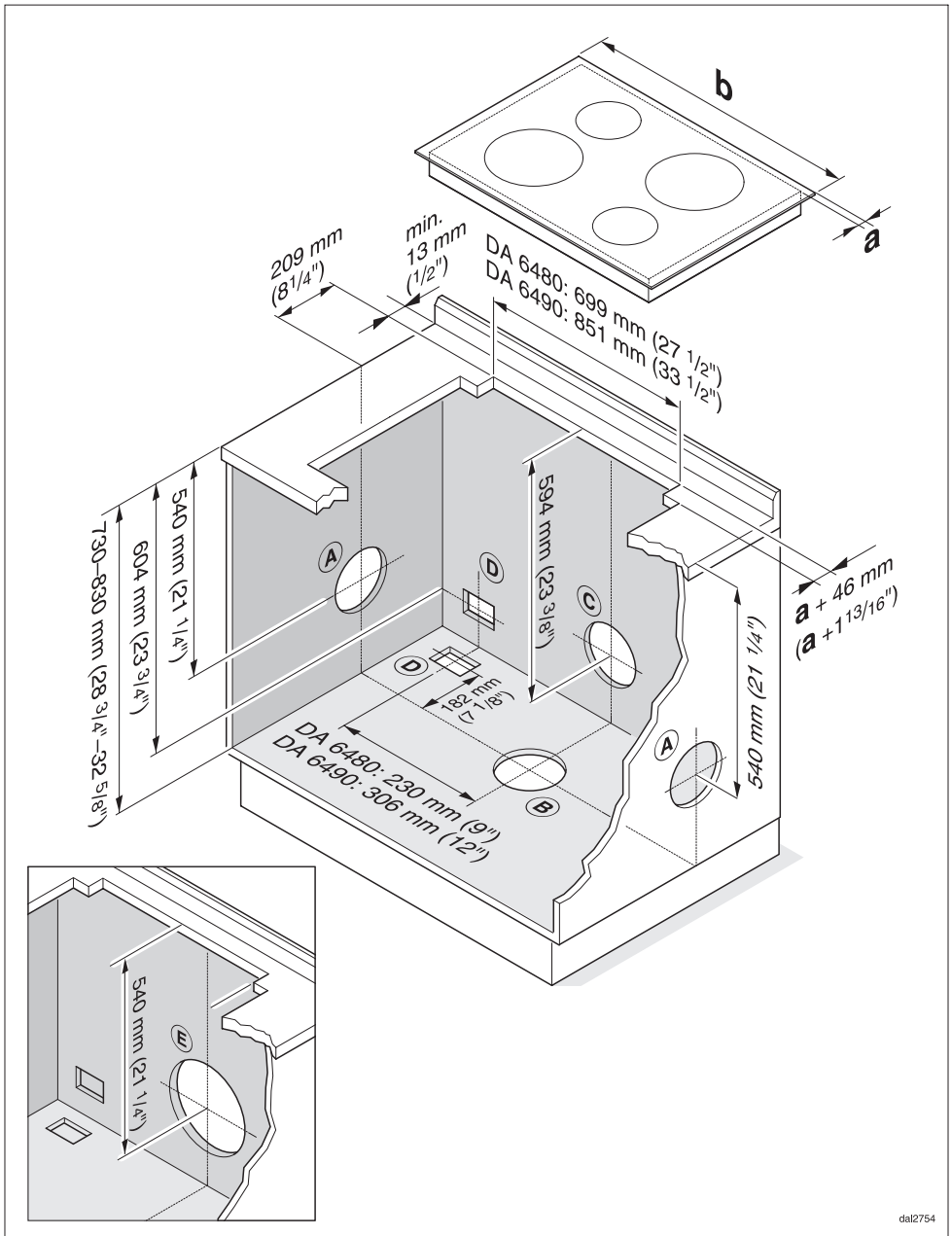
### **Exhaust duct connection diameters**

DA 6480, 6490 with internal blower  
DAG 500: . . . . . 6" Ø (150 mm)

DA 6480, 6490 with external blower  
DAG 1000: . . . . . 10" Ø (254 mm)

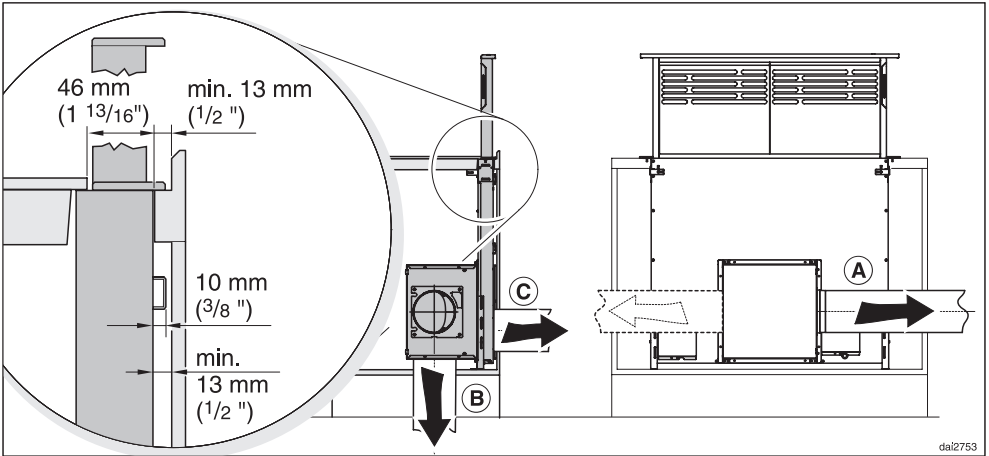
# Appliance dimensions

## Cabinet dimensions



dal2754

# Appliance dimensions



Exhaust air ducting using the DAG 500 internal blower, installed on the front of the appliance [vent duct 6" Ø (150 mm)]: **A** to the left or right, **B** downwards, **C** to the rear.

If the blower is being installed at the rear of the appliance, a cut-out must be made in the rear of the cabinet or wall where it will be mounted and the appropriate clearances must be maintained behind the cabinet.

**D** Feed the power cord and control cable when using an external blower downwards or to the rear.

**E** Using the DAG 1000 external blower, install exhaust ducting to the rear (vent duct 10" Ø (254 mm)). If installing the exhaust ducting to the front, appropriate clearances must be maintained in the cabinet.

a) Cooktop overhang

b) Minimum width of the cooktop:

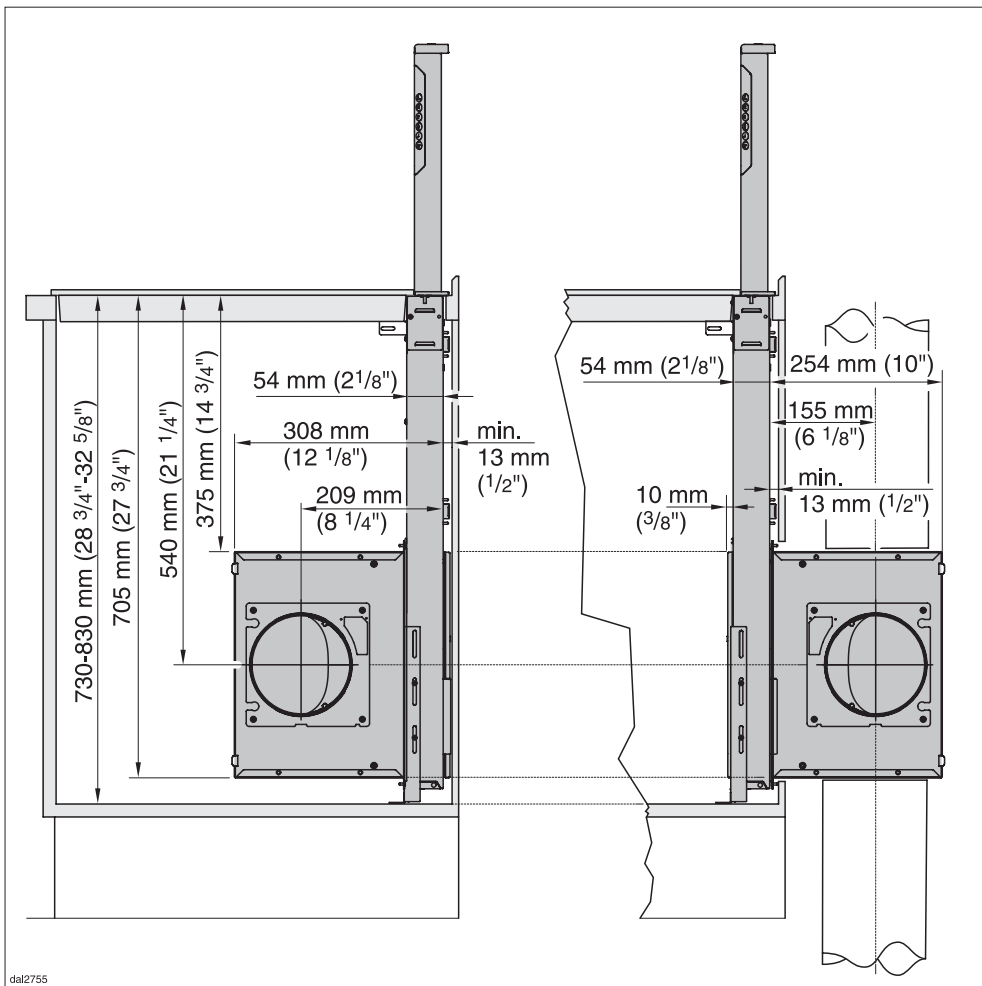
DA 6480: 28" (711 mm)

DA 6490: 34" (864 mm)

- The specified dimensions minimum cut-out dimensions must be observed.
- If an oven or stove is installed before the ventilation system, read the associated installation instructions. Note all installation dimensions and guidelines regarding ventilation systems.
- Be aware of kitchen cabinets, back splashes and/or racks in the area of the ventilation system and the cooktop. Ensure that the area where the vent rises is free of obstacles.
- Make sure that any required minimum distance between the front edge of the countertop and the front edge of the cooktop is maintained.
- If there is a drawer in the way, it must be shortened or removed. The front panel of the drawer could also be installed to permanently cover the drawer cut-out.

# Appliance dimensions

## Installation using the DAG 500 internal blower



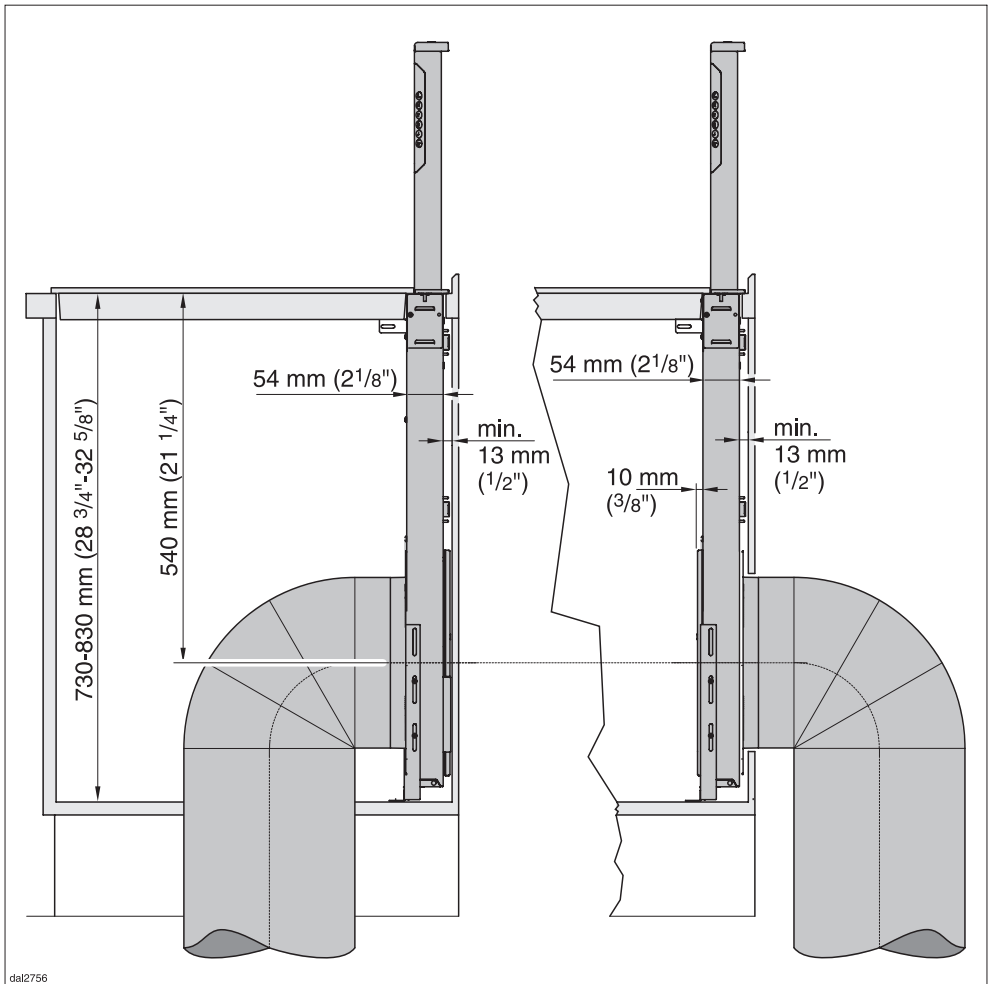
DAG 500 mounted in front of the exhaust system.

DAG 500 mounted behind the exhaust system.

Note that the blower must be accessible to install the venting ductwork.

# Appliance dimensions

## Installation using the DAG 1000 external blower connection plate



Exhaust air ducting to the front.

Exhaust air ducting to the rear.

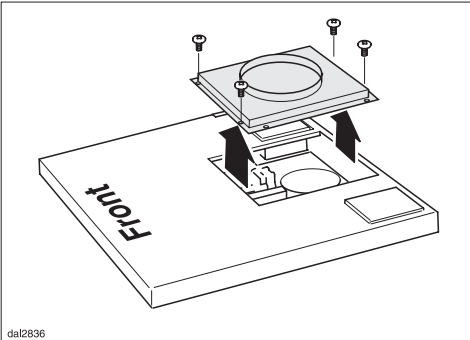
Note that the back must be accessible for the installation of the vent duct.

# Installation

The ventilation system is installed directly behind the cooktop. For easiest installation, install the ventilation system first, then the cooktop.

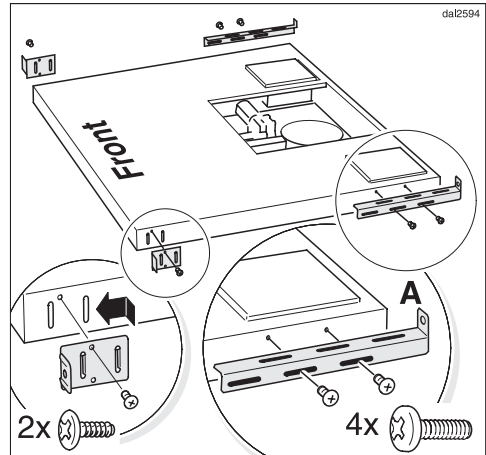
The ventilation system must not be installed in an area where there are strong drafts, for instance near windows, doors, etc.

Before installation, please read the "Appliance dimensions" and "Important safety instructions".

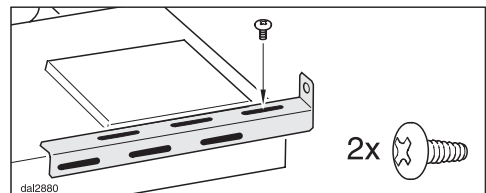


- Remove the connection plate from the front of the appliance.

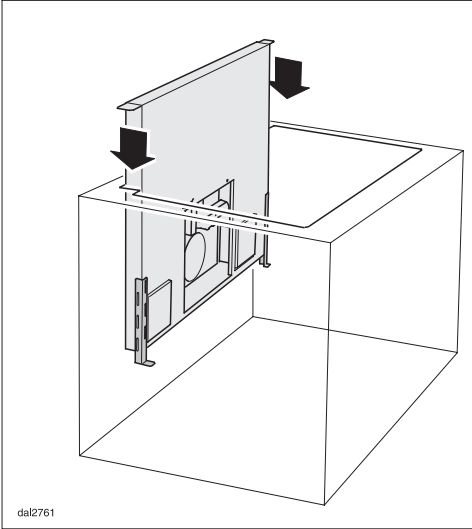
## Installation preparation



- Remove the side screws at the top of the housing, put the top mounting brackets in place and screw them into place.
- Screw the bottom mounting brackets to the side of the housing using 2 screws each. Do not tighten the screws. The brackets are different for the right and the left side. Attach them with mounting clip "A" pointing up.

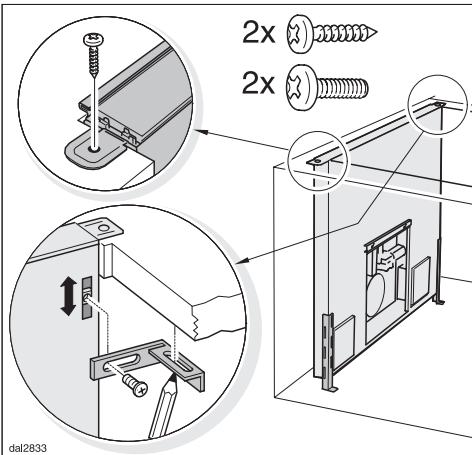


- Alternatively the bracket can be attached to the front of the appliance. Use the housing screws which were initially removed.



dal2761

- With the assistance of another person, lift the appliance into the prepared cutout. The top mounting brackets should rest on the countertop.

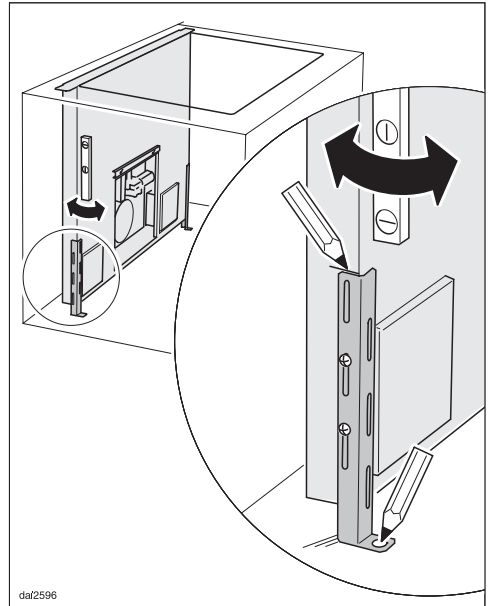


dal2833

- Secure the appliance to the countertop with 2 screws.

Alternatively, or additionally, the appliance can also be attached underneath the countertop with the angle brackets provided.

- First, loosely screw the brackets into the sliding nuts in the housing, then push them up under the countertop.
- Now tighten the brackets on the housing.
- Carefully pre-drill the mounting holes into the countertop from underneath. Using screws of the appropriate length.



dal2596

- Level and align the appliance.
- Push the bottom mounting bracket on each side down against the cabinet floor. Mark the top edge of the mounting bracket on the housing and the mounting holes on the cabinet floor.

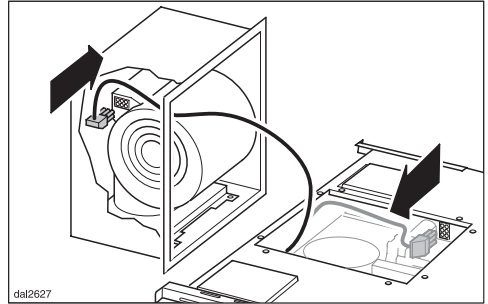
# Installation

- Remove the screws from the countertop.
- Lift the appliance back out of the cabinet.
- Pre-drill the marked mounting holes on the cabinet floor.
- Tighten the mounting brackets on the appliance at the marked position.
- Lay the vent housing on the floor on a blanket or other suitable protection in order to mount the DAG 500 blower or DAG 1000 blower adapter.

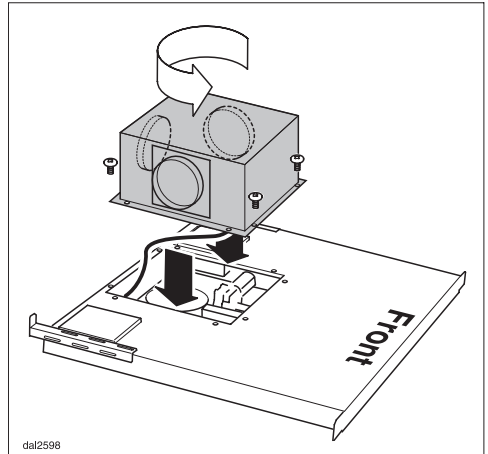
Decide on the venting direction. If the ventilation system is installed in a cabinet, the vent duct can go through the floor, the right or left side, or to the rear of the cabinet.

## Installing the DAG 500 blower box on the front

Venting to the side or downwards:



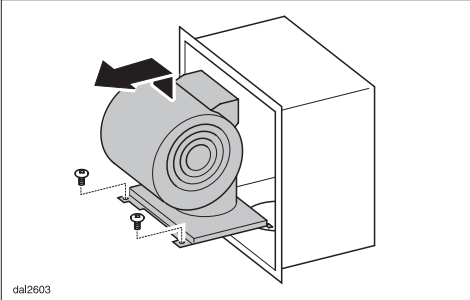
- Plug the connection cable from the ventilation system into the blower motor.



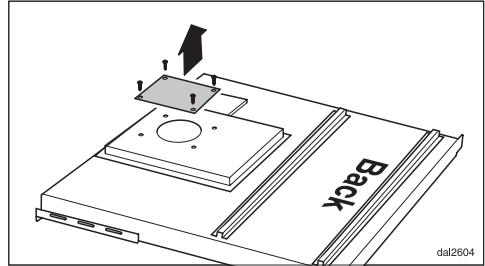
- Turn the blower box so that the vent collar faces in the desired direction – left, right or downwards.
- Mount the blower box to the housing with 4 screws.

## Venting direction towards the rear:

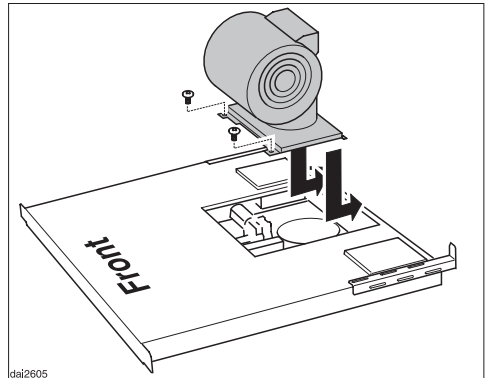
In this case, the DAG 500 blower box must be modified.



- Loosen the two screws holding the blower in the box.
- Take the blower out of the box.

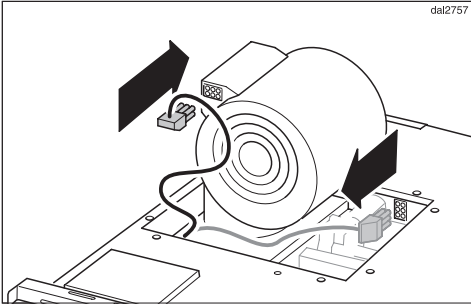


- Remove the small cover on the rear of the ventilation system.

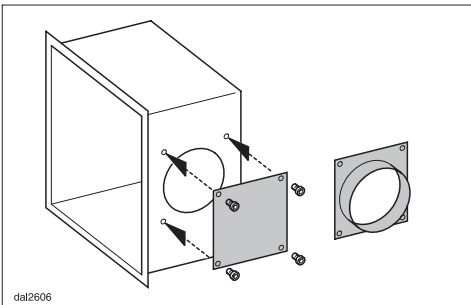


- Mount the blower on the front of the ventilation system housing using the 2 screws while positioning the vent collar in the opening of the cover.

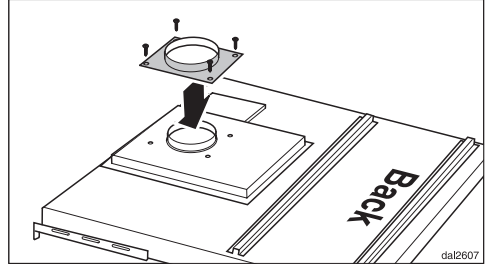
# Installation



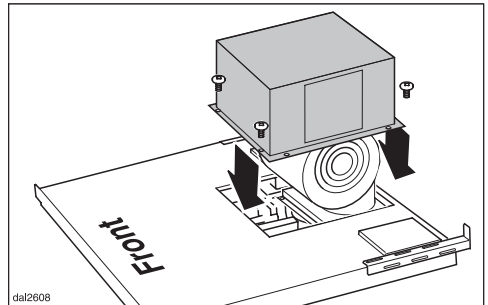
- Plug the connection cable from the ventilation system into the blower motor.



- Remove the vent collar of the blower box.
- Close the opening in the blower box with the cover you removed from the rear of the ventilation system housing. Fasten it with 4 screws.



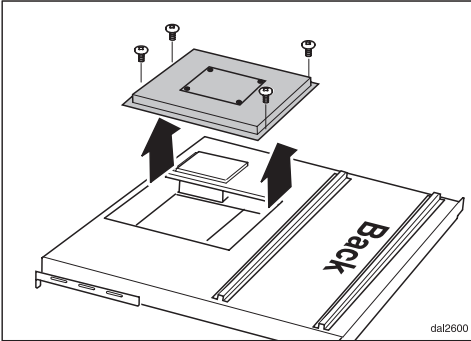
- Mount the vent collar on the rear of the ventilation system.



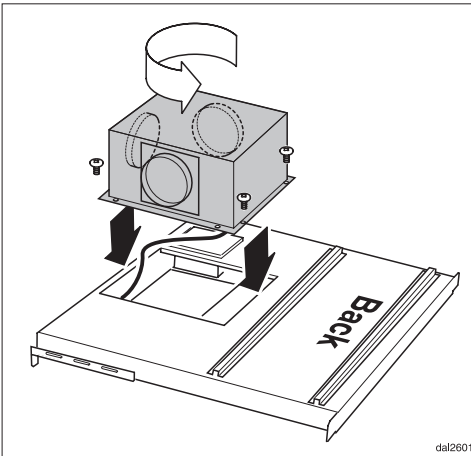
- Mount the blower box to the housing with 4 screws.

## Installing the DAG 500 blower box on the rear

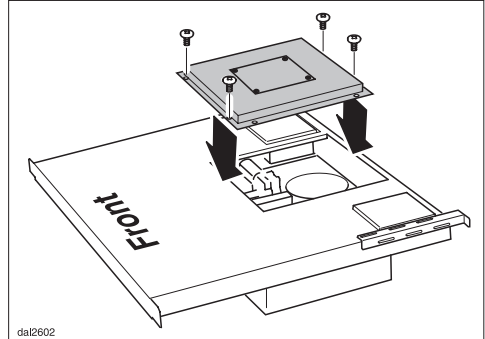
The blower box can also be installed on the back of the ventilation system:



- Remove the large cover on the rear. Mounting is the same as if installing on the front.



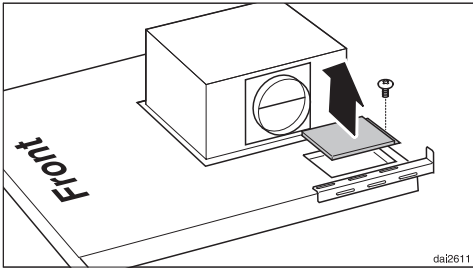
- Mount the blower on the rear the same way as described for mounting on the front.



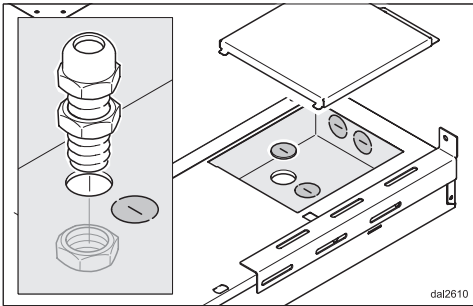
- When finished, mount the previously removed cover on the front.

# Installation

## Preparing the electrical connection

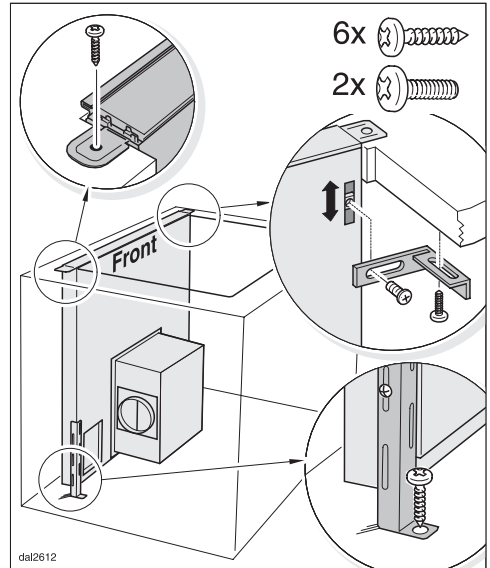


- Remove the cover of the terminal box.

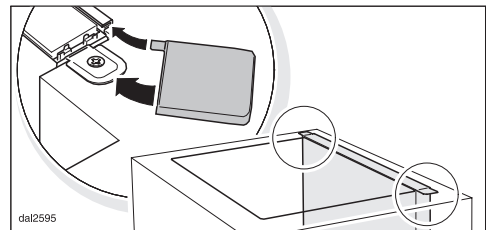


- Decide whether you would like the power cable to enter the ventilation system from below or from the rear. Remove the respective knock-out.
- If the system is connected to an external blower, remove the knock-out for the control cable.
- Install a suitable UL listed cable clamp or conduit fitting (not included) in the knock-out.

- With the assistance of at least one other person, lift the ventilation system into the prepared cutout. The top mounting angles should rest on the countertop.



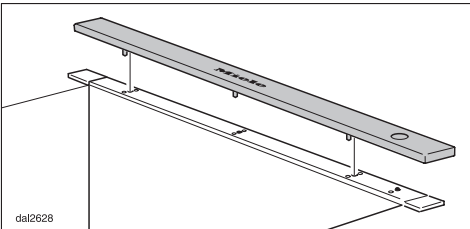
- Align the ventilation system.
- Secure the appliance to the floor and the countertop.
- Remove the protective plastic from the side cover.



- Push the side covers in place on the mounting brackets and engage them.

- Connect the appliance to the electric power supply.

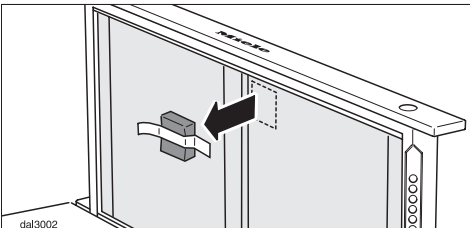
Observe the "Important safety instructions" and "Electrical connection" warnings.



- Place the cover panel onto the vent and push until it clicks in place.
- Press the On/Off button on the top of the ventilation system.

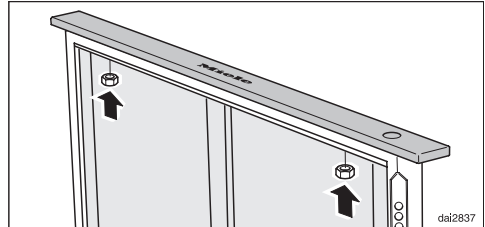
The vent will rise and the fan will turn on.

- Press and hold the **0/1** button until the fan turns off.

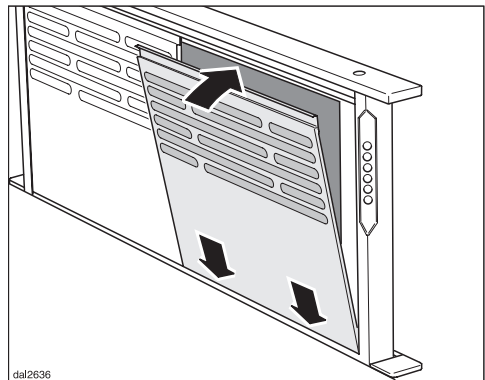


Remove the transport protection piece.

- Remove the protective plastic from the housing. If necessary, remove the cover panel again.



- Replace the cover panel and secure it with 2 nuts.
- Remove the backing from the grease filters.



- Place the filters in the bottom of the vent. Press them downwards at the edge so that they clip into the frame at the top.
- Press the **0/1** button to restart the ventilation system.
- Connect the vent duct.

When connecting the vent duct, observe the "Important safety instructions" and "Air extraction" warnings.

# Installation

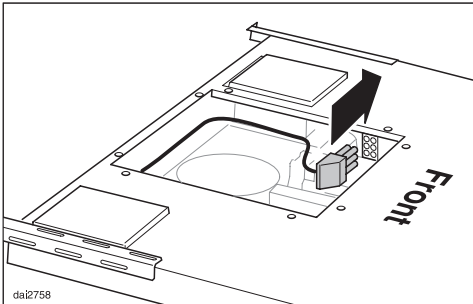
## Installation with the DAG 1000 external blower

If using DAG 1000 external blower, a connection plate must be installed on the ventilation system instead of the blower box.

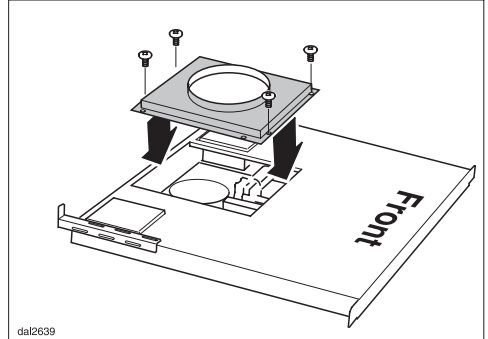
It can be mounted on either on the front or the rear of the appliance.

If the connection plate is mounted on the front, the exhaust can only be vented to the front.

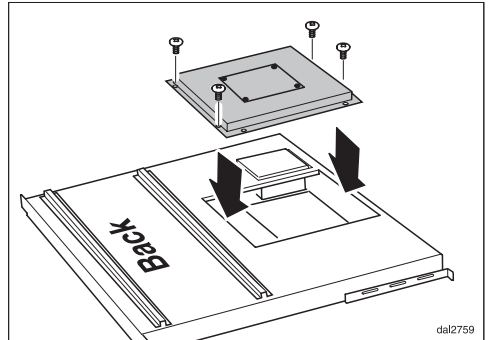
If the connection plate is mounted on the rear, the exhaust can only be vented to the rear.



- Plug the connector for the blower into the socket in the housing as shown.



- The connection plate is installed the same way as described for the blower box.



- The cover is installed on the housing on the opposite side of the connection plate.
- The ventilation system is connected to the external blower by an additional control cable. Please follow the Operating and Installation Instructions for the DAG 1000. The control cable will be connected in the terminal box of the ventilation system (see "Electrical connection").
- The ventilation system and the external blower are connected by a  $\varnothing$  10" (254 mm) vent duct.

## WARNING

### Danger of toxic fumes.

**Gas cooking appliances release carbon monoxide that can be harmful or fatal if inhaled. To reduce the risk of fire and to properly exhaust air, the exhaust gases extracted by the ventilation system should be only vented to the outside of the building.**

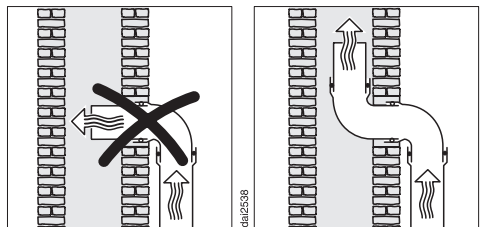
**Do not vent exhaust air into spaces within walls or ceilings or in attics, crawl spaces or garages.**

**To reduce the risk of fire, only use metal ductwork.**

Please read and follow the **"IMPORTANT SAFETY INSTRUCTIONS"** to reduce the risk of personal injury. Follow all local building codes when installing the ventilation system.

## Exhaust ducting and connections

- The ducting should be as short and straight as possible, and the number of sharp bends should be minimized.
- For most efficient air extraction, the diameter of the ductwork should not be less than 6" (150 mm)\*. Use of flat ducts also reduces the air extraction efficiency.
- Noise levels of the ventilation system will increase if flat ducts or round ducts of less than 6" (150 mm)\* in diameter are used.
- Use smooth or flexible pipes made from approved non-flammable materials for exhaust ducting.
- Where the ductwork is horizontal, it must slope away from the ventilation system at least  $\frac{1}{8}$ " per foot (1 cm per meter) to prevent condensation dripping into the appliance.



- If the exhaust is ducted into an unused flue, the air must be expelled parallel to the flow direction of the flue.

\*10" (254 mm) with exterior-mounted vent motor.

# Air extraction

Never connect a ventilation system to an active chimney, dryer vent, flue, or room venting ductwork. Seek professional advice before connecting the ventilation system to an existing, inactive chimney or vent flue.

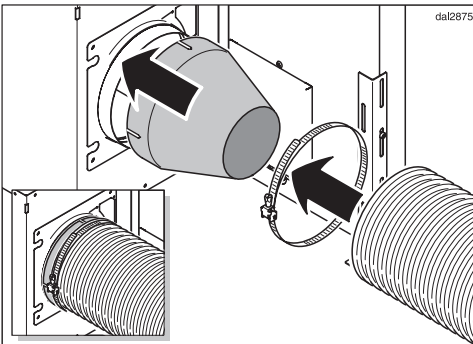
## Important

If the ductwork runs through rooms, ceilings, garages, etc. where temperature variations exist, it may need to be insulated to reduce condensation.

## DAG 500

### Internal blower:

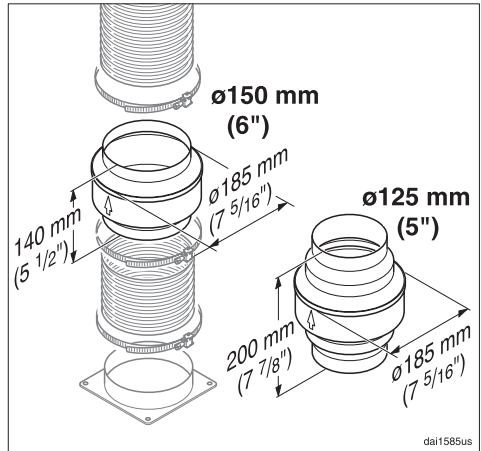
If the installation should meet the construction standard "R2000", then installing the enclosed Reducing Collar is required. It reduces the air flow to a maximum of 300 cfm.



- Push the Reducing Collar on the exhaust port of the fan.
- Push the exhaust hose over it.
- Fix both with a hose clamp.

## Condensate trap

(optional accessory for interior-mounted vent motor)



In some cases, a condensate trap may also be required to collect and evaporate any condensate which may occur. This optional accessory is available for ducts 5" (125 mm) and 6" (150 mm) in diameter.

- When installing a condensate trap, ensure that it is positioned vertically and if possible directly above the exhaust outlet.

**⚠ WARNING**  
**TO REDUCE THE RISK OF FIRE, ELECTRIC SHOCK, OR INJURY TO PERSONS, OBSERVE THE FOLLOWING:**

All electrical work should be performed by a qualified electrician in strict accordance with national regulations and local safety regulations.  
Installation, repairs and other work by unqualified persons could be dangerous.  
Ensure that power to the appliance is off while installation or repair work is performed.

The ventilation system may only be used with Miele DAG 500 or DAG 1000 blowers.

- Verify that the voltage, load and circuit rating information found on the data plate, match the household electrical supply before installing the ventilation system.

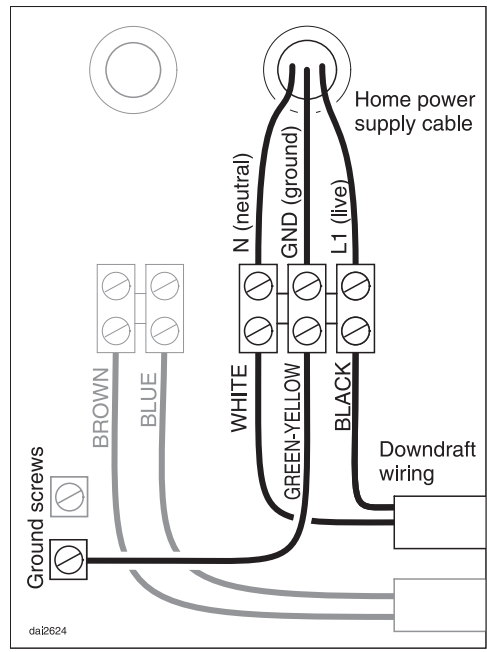
If there is any question concerning the electrical connection of this appliance to your power supply, please consult a licensed electrician or contact Miele's Technical Service Department. See back cover for contact information.

**WARNING:**  
**THIS APPLIANCE MUST BE GROUNDED**

- If you have not yet done so, remove the cover of the terminal box.
- Install a suitable UL listed cable clamp or conduit fitting at the cable knock-out.
- Pass the power supply cable through the knock-out of the housing into the terminal box.

**Important**

The ventilation system must be hard wired as follows:



Black wire: . . . . . connect to L1 (live)  
White wire: . . . . . connect to N (neutral)  
Green-yellow wire: . . . connect to GND  
. . . . . (ground)

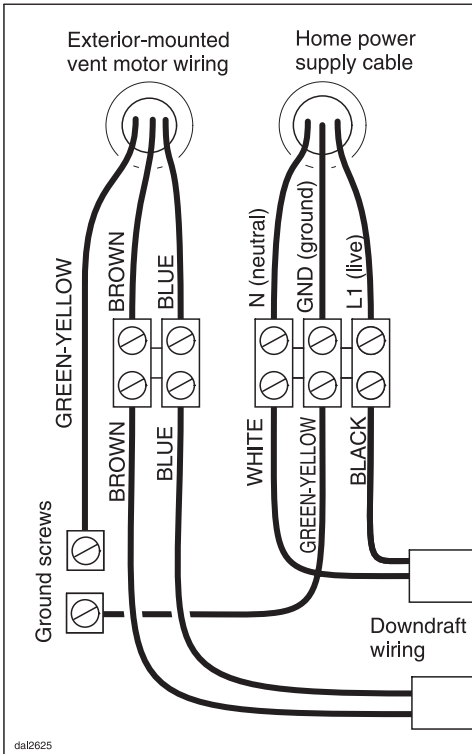


# Electrical connection

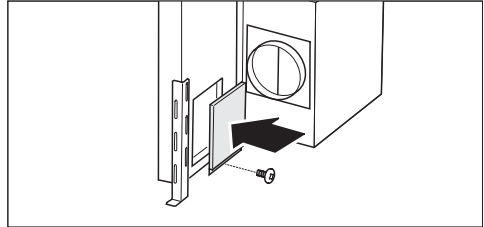
## Electrical connection if using an external blower

If using the external blower, install a connection cable between the ventilation system and the external blower.

Please follow the Operating and Installation Instructions for the DAG 1000.



- Connect to the power supply as described previously.
- The external blower will be connected to the additional control cable.



- Close the terminal box.
- Turn the power supply back on.

### Maximum load

with interior-mounted	
DAG 500 vent motor	420 W
with exterior-mounted	
DAG 1000 vent motor	210 W
Voltage	120 V
Frequency	60 Hz
Circuit Rating	15 A

- Additional housing knock-outs should be used for the external blower housing.
- Install a suitable UL listed cable clamp or conduit fitting into the knock-out.



**Please have the model and serial number  
of your appliance available before  
contacting Technical Service.**

---



## **U.S.A. Miele, Inc.**

### **National Headquarters**

9 Independence Way  
Princeton, NJ 08540  
Phone: 800-843-7231  
609-419-9898  
Fax: 609-419-4298  
[www.mieleusa.com](http://www.mieleusa.com)

### **Technical Service & Support Nationwide**

Phone: 800-999-1360  
Fax: 888-586-8056

[TechnicalService@mieleusa.com](mailto:TechnicalService@mieleusa.com)

## **Canada Miele Limited**

### **Headquarters and Showroom**

161 Four Valley Drive  
Vaughan, ON L4K 4V8  
Phone: 800-643-5381  
905-660-9936  
Fax: 905-532-2290  
[www.miele.ca](http://www.miele.ca)  
[professional@miele.ca](mailto:professional@miele.ca)  
(commercial enquiries)

### **MieleCare National Service**

Phone: 800-565-6435  
905-532-2272  
Fax: 905-532-2292  
[customercare@miele.ca](mailto:customercare@miele.ca)  
(general and technical enquiries)

## **Germany**

Miele & Cie. KG  
Carl-Miele-Straße 29  
33332 Gütersloh