

Powr2 Power Bank Instruction Manual

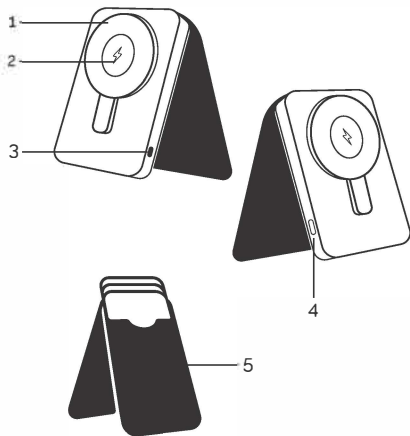


Product Specs

- USB-C Input: 5V=3A, 9V=2A
- USB-C Output: 5V=3A, 9V=2.22A, 12V=1.67A, 10V=2.25A
- Wireless Output Phone: 5W, 7.5W, 10W, 15W Max
- Wireless Output Earbuds: 5W
- Wireless Output Watch: 2.5W
- Battery Capacity: 5000mAh/19.25Wh

Product Overview

1. Magnetic wireless phone charger
2. Wireless watch and earbuds charger
3. Power button
4. USB-C charging port
5. Card slots and phone stand



Getting Started:

- To turn on the power bank, press the power button once
- To turn off the power bank, quickly press the power button twice
- Attach your phone to the magnetic surface, charging will start automatically
- Alternatively use the provided USB-C cable to plug into your device
- To charge your watch or earbuds, place over the center of the charging surface

Charging the Power Bank

- Plug the included USB-C charging cable into the USB-C port
- The LED light stays on while charging and will turn off once charging is complete
- It is recommended to fully charge the battery before use
- Do not over charge the battery and always use a proper power source

IMPORTANT SAFETY INSTRUCTIONS

WARNING: When using this product, basic precautions should always be followed.

Read instructions before use.

Never store product in temperatures below 32°F (0°C) or above 104°F (40°C).

Do not over charge your device with the power bank. The power bank may become hot with excessive use.

Do not expose the power bank to moisture or extreme heat.

When charging, the power bank may feel warm, this is a normal operating condition and should not be cause for concern.

To avoid risk of fire or injury, only use the charging cable provided to charge the power bank.

Do not use the power bank if damaged or modified.

Do not disassemble the power bank.

Do not use the power bank in excess of its output rating. Overload outputs above rating may result in a risk of fire or injury to persons.

Switch off the power bank when not in use.

Do not dispose of power bank in heat or fire.

To reduce the risk of injury, close supervision is necessary when power bank is used near or by children.

Attachments on the back of your phone or some phone cases can impede the charging of your device. Please remove these before using the wireless charger on the power bank.

DISPOSAL INFORMATION FOR USER:

Recycle according to local recycling and environmental regulations.

DO NOT DISSASSEMBLE. BATTERY NOT REPLACEABLE.

FCC Warning

This device complies with Part 15 of the FCC Rules. Operation is subject to the following two conditions:

- (1) This device may not cause harmful interference, and (2) this device must accept any interference received, including interference that may cause undesired operation.

NOTE 1: This equipment has been tested and found to comply with the limits for a Class B digital device, pursuant to part 15 of the FCC Rules. These limits are designed to provide reasonable protection against harmful interference in a residential installation. This equipment generates, uses and can radiate radio frequency energy and, if not installed and used in accordance with the instructions, may cause harmful interference to radio communications. However, there is no guarantee that interference will not occur in a particular installation. If this equipment does cause harmful interference to radio or television reception, which can be determined by turning the equipment off and on, the user is encouraged to try to correct the interference by one or more of the following measures:

- Reorient or relocate the receiving antenna.
- Increase the separation between the equipment and receiver.
- Connect the equipment into an outlet on a circuit different from that to which the receiver is connected.
- Consult the dealer or an experienced radio/TV technician for help.

NOTE 2: Any changes or modifications to this unit not expressly approved by the party responsible for compliance could void the user's authority to operate the equipment.

The device has been evaluated to meet general RF exposure requirement. The device can be used in portable exposure condition without restriction.

BEST Promo USA
201 Clay Rd. Suite 200
Sunnyvale, TX 75182
+1(972) 552-3636
www.hpgbrands.com