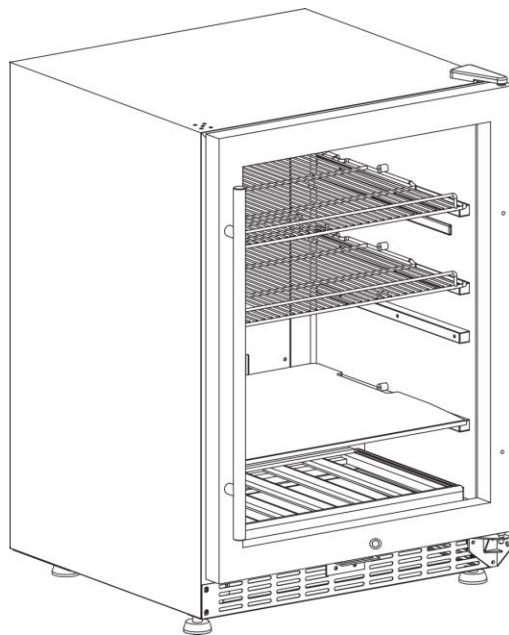




BUILT-IN BEVERAGE CENTER

Model SCR2466



Owner's Manual

**BEFORE USE, PLEASE READ AND FOLLOW
ALL SAFETY RULES AND OPERATING INSTRUCTIONS**

Write the Serial Number here:

**Felix Storch, Inc.
Summit Appliance Division
An ISO 9001:2015 registered company
770 Garrison Avenue
Bronx, NY10474
www.summitappliance.com**

TABLE OF CONTENTS

Important Safety Instructions	2 – 3
Location of Parts	4
Installation Instructions	5 – 7
<i>Before Using Your Beverage Center</i>	5
<i>Installation of Your Beverage Center</i>	5 – 6
<i>Reversing the Door Swing</i>	6 – 7
Operating Your Beverage Center	8 – 10
Control Panel	8
ON/OFF Power	8
RUN Light.....	8
Setting Window	8
Chamber Window.....	8
Set Button	8
Light Button	8
°C/°F Button	9
Door Lock	9
Defrosting	9
Storage.....	9
Shelves	9 – 10
Care and Maintenance	11 – 12
<i>Cleaning Your Beverage Center</i>	11
<i>Replacement of the LED Light</i>	11
Power Failure	11
Vacations	11
<i>Transporting Your Beverage Center</i>	11
Energy-Saving Tip	12
Technical Information	12
Problems with Your Beverage Center	13
Limited Warranty	15

IMPORTANT SAFETY INSTRUCTIONS

⚡WARNING⚡

To reduce the risk of fire, electrical shock or injury when using your appliance, follow these basic precautions

- Read all instructions before using the Beverage Center.
- Plug into a grounded 3-prong outlet. Do not remove grounding prong, do not use an adapter, and do not use an extension cord.
- It is recommended that a separate circuit, serving only your Beverage Center, be provided. Use receptacles that cannot be turned off by a switch or pull chain.
- Never clean Beverage Center parts with flammable fluids. These fumes can create a fire hazard or explosion.
- Before proceeding with cleaning and maintenance operations, make sure the power line of the unit is disconnected.
- Do not connect or disconnect the electric plug when your hands are wet.
- Unplug the Beverage Center or disconnect the power before cleaning or servicing. Failure to do so can result in electrical shock or death.
- Do not attempt to repair or replace any part of your appliance unless it is specifically recommended in this manual. All other servicing should be referred to a qualified technician.
- Do not store or use gasoline or any other flammable vapors and liquids in the vicinity of this or any other appliance. The fumes can create a fire hazard or explosion.
- Use two or more people to move and install the Beverage Center. Failure to do so can result in back or other injury.
- To ensure proper ventilation for your appliance, the front of the unit must be completely unobstructed. Choose a well-ventilated area with temperatures above 61°F (16°C) and below 95°F (35°C). [The unit performs best when the ambient temperature is in the range 66 – 75°F (19° – 24°C).] This unit must be installed in an area protected from the elements, such as wind, rain, water spray or drips.
- The Beverage Center should not be located next to ovens, grills or other sources of high heat.
- For optimum energy conservation, locate the Beverage Center in the coolest area of the room, away from heat-producing appliances and out of direct sunlight.
- The Beverage Center must be installed with all electrical connections in accordance with state and local codes. A standard electrical supply (115V AC only, 60 Hz), properly grounded in accordance with the National Electrical Code and local codes and ordinances, is required.
- Do not kink or pinch the power supply cord of the appliance.
- The fuse (or circuit breaker) size should be 15 amps.
- It is important for the Beverage Center to be leveled in order to work properly. You may need to make several adjustments to level it.

- Although the unit has been tested at the factory, due to transit and storage, you should clean the appliance before use.
- Do not use solvent-based cleaning agents or abrasives on the interior. These cleaners may damage or discolor the interior.
- Do not use this apparatus for other than residential purposes.
- This appliance is CFC- and HFC-free and contains small quantities of Isobutane (R600a) which is environmentally friendly, but flammable. It does not damage the ozone layer, nor does it increase the greenhouse effect. Care must be taken during transportation and setting up of the appliance that no parts of the cooling system are damaged. Leaking coolant can ignite and may damage the eyes.

In the event of any damage:

- Avoid open flames and anything that creates a spark,
- Disconnect from the electrical power line,
- Air the room in which the appliance is located for several minutes, and
- Contact the Service Department for advice.
- The more coolant there is in an appliance, the larger the room it should be installed in. In the event of a leakage, if the appliance is in a small room, there is the danger of combustible gases building up. For every ounce of coolant at least 325 cubic feet of room space is required. The amount of coolant in the appliance is stated on the data plate on the back of the appliance. It is hazardous for anyone other than an Authorized Service Person to carry out servicing or repairs to this appliance.
- Take serious care when handling, moving, and using the appliance to avoid either damaging the refrigerant tubing or increasing the risk of a leak.
- Replacing component parts and servicing shall be done by factory-authorized service personnel so as to minimize the risk of possible ignition due to incorrect parts or improper service.
- This appliance is designed to be used in household and similar non-retail applications. Do not use this appliance for any but its intended purpose.

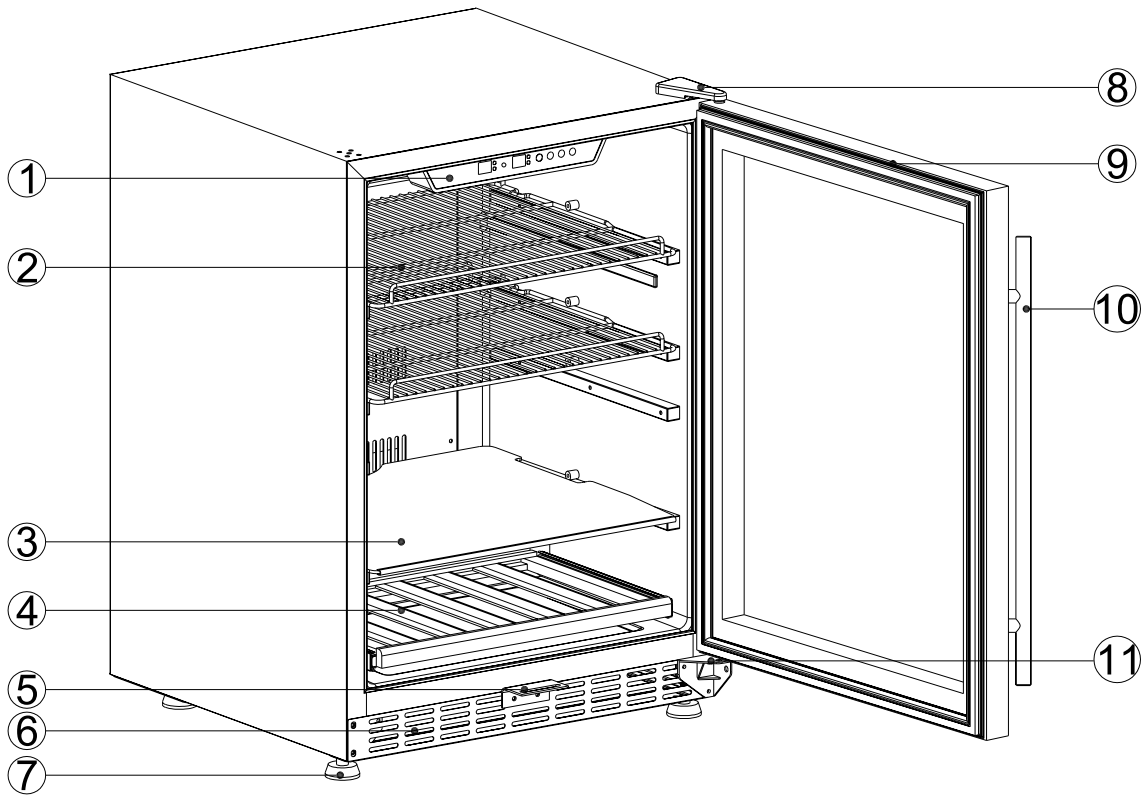
DANGER! *Risk of child entrapment!*

Child entrapment and suffocation are not problems of the past. Junked or abandoned appliances are still dangerous, even if they will “just sit for a few days”.

- **Before you throw away your old Beverage Center or any appliance:** Remove the door. Leave the shelves in place so that children may not easily climb inside.
- Never allow children to operate, play with, or crawl inside the appliance.

- SAVE THESE INSTRUCTIONS -

LOCATION OF PARTS



1. Control panel
2. Wire shelf
3. Glass shelf
4. Wooden shelf
5. Lock hook
6. Front vent

7. Adjustable feet
8. Upper hinge
9. Gasket
10. Door (with handle)
11. Lower hinge

INSTALLATION INSTRUCTIONS

Before Using Your Beverage Center

Remove the exterior and interior packing.

Before connecting the Beverage Center to the power source, let it stand upright for approximately 2 hours. This will reduce the possibility of a malfunction in the cooling system from handling during transportation.

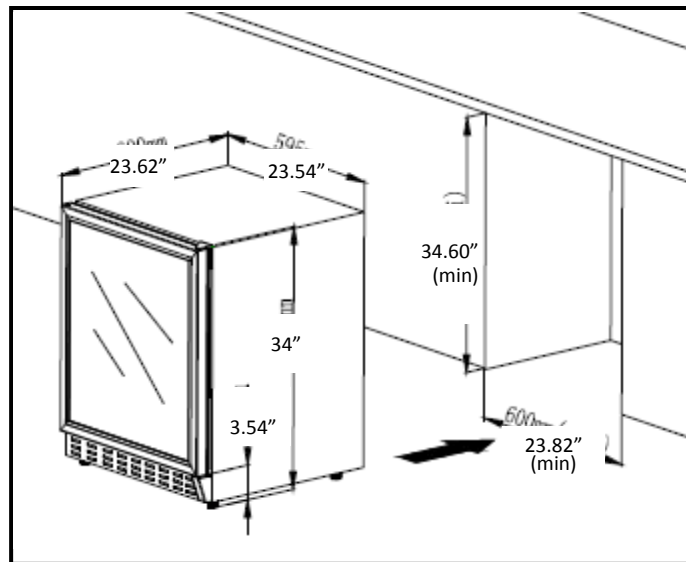
Clean the interior surface with lukewarm water using a soft cloth.

This appliance is especially designed for the storage of beverages; do not use it for other purposes.

Installation of Your Beverage Center

This appliance is designed for free standing or built-in (fully recessed) installation. If free standing, the unit should have at least 4" of clearance at both sides, at the top and at the back to allow for adequate ventilation.

If the appliance is to be built-in, leave at least 7/25" at both sides, 3/5" at the top and 2" at the rear. Be sure that airflow under the appliance is not blocked. The diagram below shows the correct dimensions for under-counter installation:



Place your Beverage Center on a floor that is strong enough to support it when it is fully loaded. To level your Beverage Center, adjust the leveling legs at the bottom of the unit.

Locate the Beverage Center away from direct sunlight and sources of heat (stove, heater, radiator, etc.). Direct sunlight may affect the exterior surface and heat

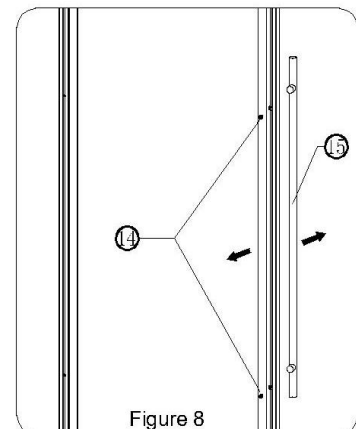
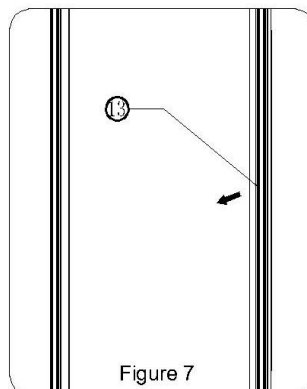
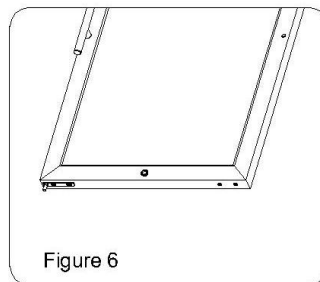
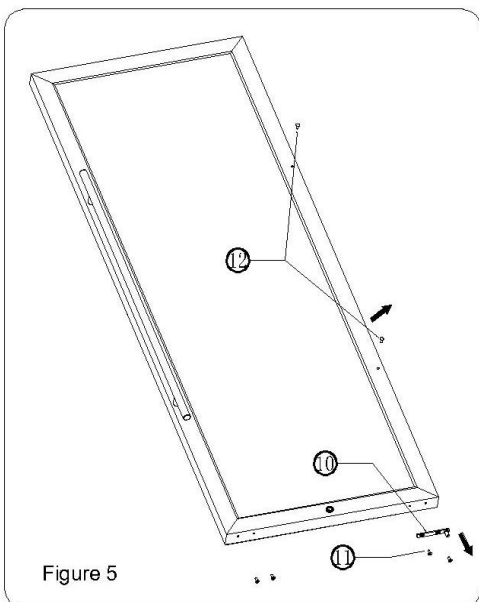
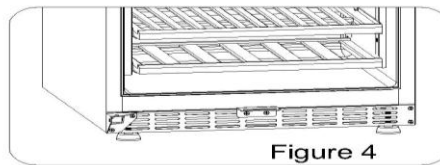
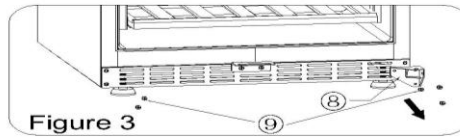
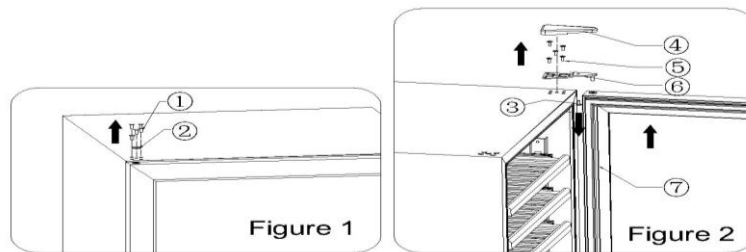
sources may increase electrical consumption. Extremely cold or warm ambient temperatures may also cause the unit to perform improperly.

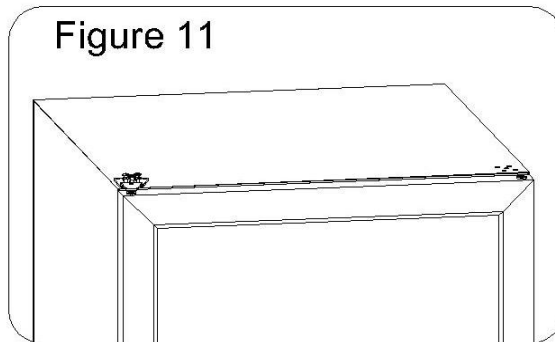
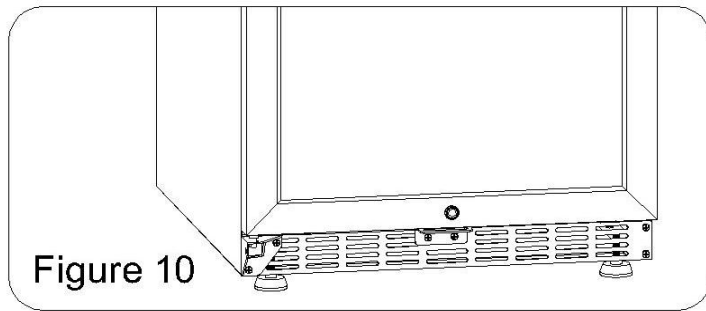
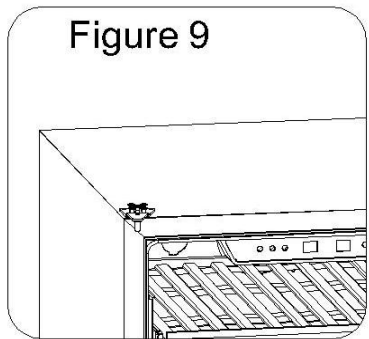
Avoid locating the unit in moist areas. Do not use an extension cord.

Plug the Beverage Center into an exclusive, properly installed and grounded wall outlet. Do not under any circumstances cut or remove the third (ground) prong from the power cord. Any questions concerning power and/or grounding should be directed toward a certified or authorized products service center.

Reversing the Door Swing

This appliance has the capability of the door opening from either the left or right side. The unit is delivered to you with the door opening from the left side. Should you desire to reverse the opening direction, please follow these illustrations and instructions:





NOTE: All parts removed must be saved to allow the door swing to be reversed

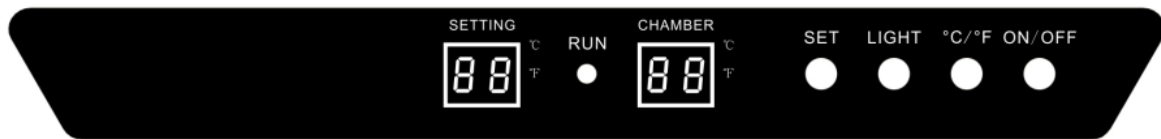
1. Carefully use a sharp tool to pry up the decorative cap on the top of the cabinet and the cap of the door spindle. (Fig 1)
2. Open the door about 90°, unscrew the screw of the upper door hinge cover and remove the cover, then unscrew all the screws on the upper door hinge. Be sure to hold the door firmly after removing the screws, and take off the door. (Fig 2)
3. Remove the screw of the lower door hinge and the left side screw of the front vent (Fig 3), then install the lower door hinge at the designated position on the opposite side.(Fig 4)
4. Remove the screw of the door handle, then remove the bottom screw on the left side of the door and remove the lower support of the door (Fig 5). Install the lower support of the door on the opposite side. (Fig 6)
5. Gently pull open the middle section of the door gasket; you will see the handle screw hole (Fig 7). Remove the handle and install it on the opposite side.(Fig 8)
6. Loosely install the upper door hinge on the opposite side. (Fig 9)
7. Set the door onto the shaft of the lower door hinge (Fig 10), then fit the shaft of the upper door hinge into the top of the door (Fig 11) and tighten the screws. Adjust the door so it is aligned with the cabinet. Level the cabinet and tighten all the lock screws.

You also can call customer service for door reversal instructions if necessary.

OPERATING YOUR BEVERAGE CENTER

The Beverage Center should be placed where the ambient temperature is between 66 and 75 degrees Fahrenheit (19 – 24°C). If the ambient temperature is above or below this range, the performance of the unit may be affected. For example, placing your unit in extremely cold or hot conditions may cause interior temperatures to fluctuate and the range of 34 – 43 degrees Fahrenheit (1 – 6°C) may not be reached.

Control Panel



ON/OFF Power

Connect the power cord to a properly grounded outlet. To turn the appliance on or off, press the ON/OFF button.

NOTE: This Beverage Center has a protective delay function. The compressor will start to work about 3 to 5 minutes after it is powered on.

RUN Light

This light indicates when the compressor is working. While the compressor is operating, the red light is on. During down time in the operating cycle, this light is off.

SETTING WINDOW

Display of the temperature you set. The range of temperature setting is 34 – 43 degrees Fahrenheit (1 – 6°C).

CHAMBER WINDOW

Display of the temperature inside the cabinet. The range of temperature setting is 32 – 99 degrees Fahrenheit (0 – 37°C).

SET Button

Temperature setting button; once you press the button, the temperature increases 1°C or 1°F. Setting range is between 34 – 43 degrees Fahrenheit (1 – 6°C).

Light Button

You can turn the interior light on or off by pushing the button marked LIGHT.

NOTE: The light goes off automatically after 10 minutes.

°C/°F Button

Celsius and Fahrenheit conversion button

Door Lock

This unit can be secured with a lock and key. The keys are located inside the plastic bag that contains the *Owner's Manual*. Insert the key into the lock and turn it counterclockwise to lock the door, making sure the metal pin is engaged completely. To unlock the door, do the reverse. Remove the key and put it in a secure location.

Defrosting

The Beverage Center defrosts automatically during its operating cycle. The water resulting from the defrosting is collected in a drip tray near the compressor at the back where it is automatically evaporated. During the defrosting operation, the displayed temperature may be higher than the set temperature.

Storage

Cans and bottles may differ in size and dimensions. Accordingly, the actual number of bottles you may be able to store can vary.

Shelves

The appliance is equipped with 2 wire beverage shelves, 1 glass beverage shelf and 1 wooden wine bottle shelf.

- To prevent damaging the door gasket, be sure the door is open all the way when pulling a shelf out of the rail compartment.
- For easy access to the stored contents, you can pull the shelf approximately 30% out of the rail compartment. This unit was designed with a stopper on each side of the shelf track to prevent the shelf from pulling out all the way, allowing bottles to fall. You can remove each beverage shelf (wired and glass) by first emptying the shelf, then lifting up and pulling it out smoothly.
- To remove the wooden wine shelf, pull the shelf out as far as it will go. Use a long flat screwdriver to press down the right plastic notch as shown in Figure A (on the next page) and at the same time lift the left plastic notch as shown in Figure B. Then proceed to pull out the shelf slowly. Contact our service department if assistance is needed.

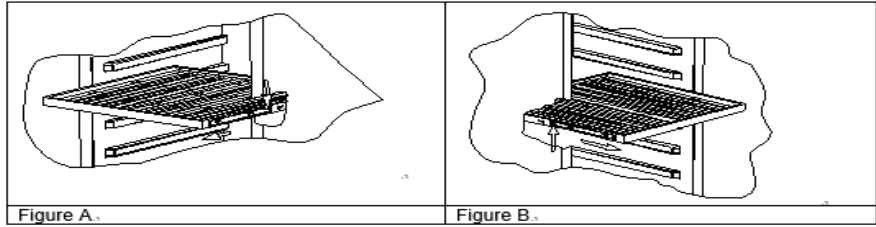
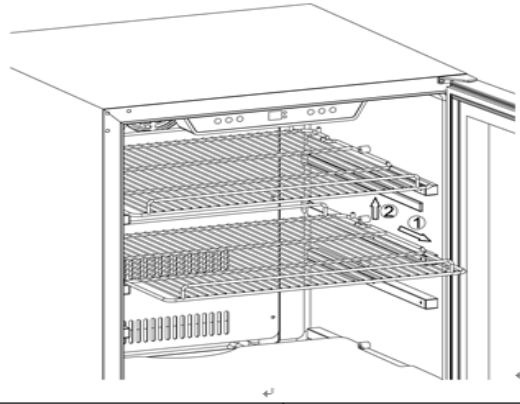


Figure A.

Figure B.

Removing shelves



CARE AND MAINTENANCE

Cleaning Your Beverage Center

1. Turn off the power, unplug the appliance, and remove all items including shelves. (See “Shelves” on pages 9 and 10 for removal instructions.)
2. Wash the inside surfaces with a warm water and baking soda solution. The solution should be about 2 tablespoons of baking soda to a quart of water.
3. Wash the shelves with a mild detergent solution.
4. Wring excess water out of the sponge or cloth when cleaning the area near the controls, or any electrical parts.
5. Wash the outside cabinet with warm water and a mild liquid detergent. Rinse well and wipe dry with a clean soft cloth. Clean the stainless steel trim with a product specifically designed for this use.

Replacement of the LED Light

Replacing the LED requires a qualified technician. First unscrew the 2 screws on the light cover, then remove the screw on the LED panel, and replace the light with one having the same specifications.

Power Failure

Most power failures are corrected within a few hours and should not affect the temperature of your appliance if you minimize the number of times the door is opened. If power is going to be off for a longer period of time, you need to take the proper steps to protect the contents of your Beverage Center.

Vacations

Leave the Beverage Center operating during vacations of less than three weeks. For periods longer than this, turn the Beverage Center off and leave the door slightly ajar to prevent odor from building up inside the appliance.

Transporting your Beverage Center

If you need to move your Beverage Center once the box has been discarded:

1. Securely tape down all loose items (shelves) inside your appliance.
2. Turn the adjustable legs up to the base to avoid damage.
3. Tape the door shut.
4. Be sure the appliance stays secure in the upright position during transportation. Also protect the outside of the appliance with a blanket or similar item.

Energy-Saving Tip

The Beverage Center should be located in the coolest area of the room, away from heat producing appliances and out of direct sunlight.

TECHNICAL INFORMATION

Model Number	SCR2466
Volume	5.43 cu.ft. (154 liters)
Rated Voltage	110V AC
Rated Current	1.1A
Power Input	95W
Rated Frequency	60Hz
Refrigerant	R600a (45g, or 1.6 ounce)
Sound Level (db)	43
Climate Type	N
Net Weight	110 lbs (49.5kg)
Gross Weight	119 lbs (54kg)
Defrost Type	Automatic

PROBLEMS WITH YOUR BEVERAGE CENTER

You can solve many common Beverage Center problems easily, saving you the cost of a possible service call. Try the suggestions below to see if you can solve the problem before calling a service technician.

TROUBLESHOOTING GUIDE

Problem	Possible Cause
Beverage Center does not operate.	Not plugged in. The appliance is turned off. The circuit breaker has tripped or a fuse has blown.
Beverage Center is not cold enough.	Check the temperature control settings. External environment may require higher settings. The door is opened too often. The door is not closed completely. The door gasket does not seal properly.
Turns on and off frequently.	The room temperature is hotter than normal. A large number of bottles has been added to the Beverage Center. The door is opened too often. The door is not closed completely. The temperature controls are not set correctly. The door gasket does not seal properly.
The light does not work.	Not plugged in. The circuit breaker has tripped or fuse is blown. The bulb has burned out. The LIGHT button is off.
Vibrations	Check to be sure the Beverage Center is level.
Beverage Center seems to be making too much noise.	Some noise may come from the flow of the refrigerant, which is normal. As each cycle ends, you may hear gurgling sounds caused by the flow of refrigerant in your Beverage Center. Contraction and expansion of the inside walls may cause popping and crackling noises. The Beverage Center is not level.
The door will not close properly.	The Beverage Center is not level. The door was reversed and not properly installed. The gasket is dirty. The shelves are out of position.

This appliance is intended to be used exclusively for the storage of beverages.

NOTES

LIMITED WARRANTY

ONE-YEAR LIMITED WARRANTY

Within the 48 contiguous United States, for one year from the date of purchase, when this appliance is operated and maintained according to instructions attached to or furnished with the product, warrantor will pay for factory-specified parts and repair labor to correct defects in materials or workmanship. Service must be provided by a designated service company. Outside the 48 states, all parts are warranted for one year from manufacturing defects. Plastic parts, shelves and cabinets are warranted to be manufactured to commercially acceptable standards, and are not covered from damage during handling or breakage.

5-YEAR COMPRESSOR WARRANTY

1. The compressor is covered for 5 years.
2. Replacement does not include labor.

ITEMS WARRANTOR WILL NOT PAY FOR:

1. Service calls to correct the installation of your appliance, to instruct you how to use your appliance, to replace or repair fuses or to correct wiring or plumbing.
2. Service calls to repair or replace appliance light bulbs or broken shelves. Consumable parts (such as filters) are excluded from warranty coverage.
3. Damage resulting from accident, alteration, misuse, abuse, fire, flood, acts of God, improper installation, installation not in accordance with electrical or plumbing codes, or use of products not approved by warrantor.
4. Replacement parts or repair labor costs for units operated outside the United States.
5. Repairs to parts or systems resulting from unauthorized modifications made to the appliance.
6. The removal and reinstallation of your appliance if it is installed in an inaccessible location or is not installed in accordance with published installation instructions.

DISCLAIMER OF IMPLIED WARRANTIES – LIMITATION OF REMEDIES

CUSTOMER'S SOLE AND EXCLUSIVE REMEDY UNDER THIS LIMITED WARRANTY SHALL BE PRODUCT REPAIR AS PROVIDED HEREIN. IMPLIED WARRANTIES, INCLUDING WARRANTIES OF MERCHANTABILITY OR FITNESS FOR A PARTICULAR PURPOSE, ARE LIMITED TO ONE YEAR. WARRANTOR SHALL NOT BE LIABLE FOR INCIDENTAL OR CONSEQUENTIAL DAMAGES. SOME STATES DO NOT ALLOW THE EXCLUSION OR LIMITATION OF INCIDENTAL OR CONSEQUENTIAL DAMAGES, OR LIMITATIONS ON THE DURATION OF IMPLIED WARRANTIES OF MERCHANTABILITY OR FITNESS, SO THESE EXCLUSIONS OR LIMITATIONS MAY NOT APPLY TO YOU. THIS WARRANTY GIVES YOU SPECIFIC LEGAL RIGHTS AND YOU MAY ALSO HAVE OTHER RIGHTS, WHICH VARY FROM STATE TO STATE.



WARNING: This product can expose you to chemicals including Nickel (Metallic) which is known to the State of California to cause cancer.

For more information go to www.P65Warnings.ca.gov

Note: Nickel is a component in all stainless steel and some other metal components.

FELIX STORCH, INC.
770 Garrison Avenue
Bronx, NY 10474
Phone: (718) 893-3900
Fax: (844) 478-8799
www.summitappliance.com

SUMMIT
PROFESSIONAL

For parts and accessory ordering,
troubleshooting and helpful hints, visit:
www.summitappliance.com/support

Printed in China