

# KALORIK®

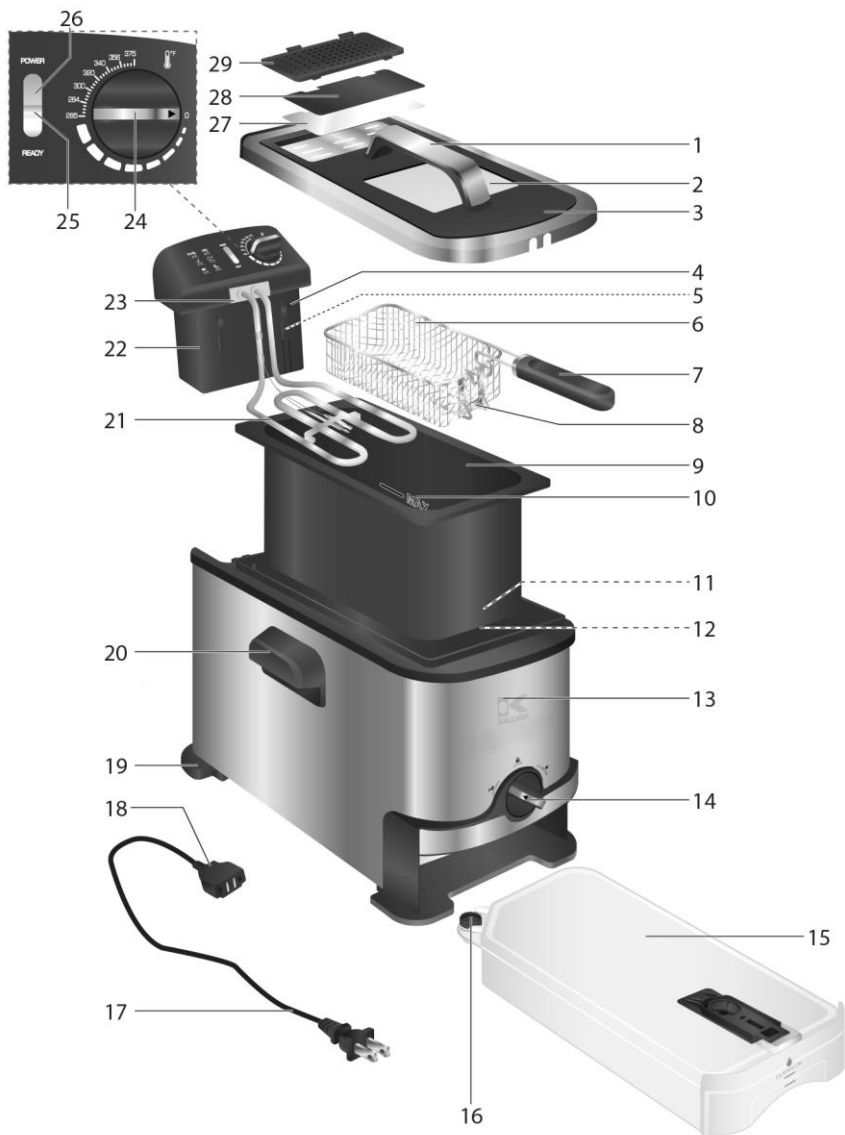
Since 1930



**3 LITER DEEP FRYER WITH OIL FILTRATION**  
**FREIDORA DE 3 LITROS CON**  
**FILTRACIÓN DE ACEITE**  
**FRITEUSE 3 LITRES AVEC SYSTÈME DE**  
**FILTRATION DE L'HUILE**

EN.....2  
ES.....24  
FR.....48

# PARTS



# PARTS DESCRIPTION

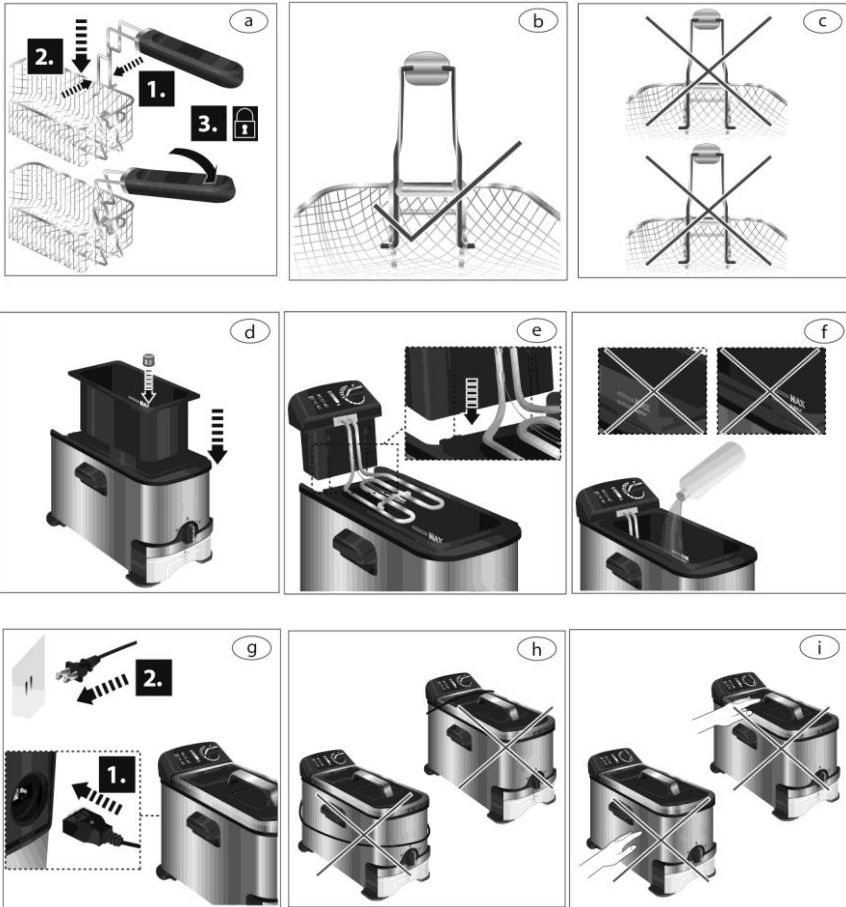
---

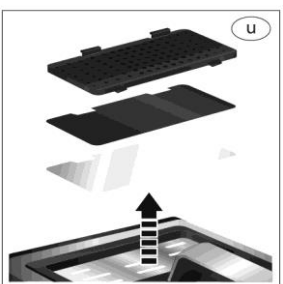
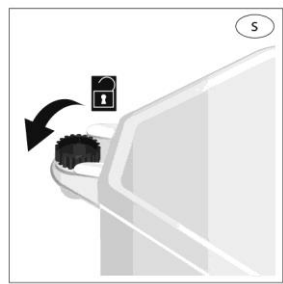
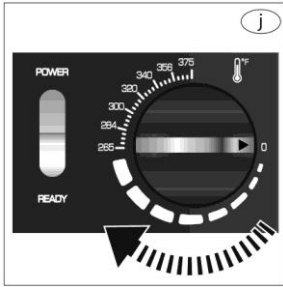
1. Lid handle
2. View window
3. Lid
4. Reset button
5. Safety switch
6. Frying basket
7. Basket handle
8. Basket hook
9. Oil reservoir
10. Oil level marking MIN MAX
11. Oil filter cover
12. Oil valve
13. Housing
14. Oil filtration control knob
15. Oil container
16. Cap
17. Power cord with plug
18. Magnetic plug
19. Anti-slip feet
20. Side handles
21. Immersion heater
22. Control panel assembly
23. Silicon rubber sealing plate
24. Temperature control knob
25. READY indicator (green)
26. POWER indicator (blue)
27. White grease filter
28. Charcoal odor filter
29. Filter cover

## TECHNICAL SPECIFICATIONS

<b>Model</b>	<b>Voltage</b>	<b>Wattage</b>	<b>Capacity</b>
FT 43721 BK	120V, 60Hz	1700W	3.2 Qt / 3 L

# ILLUSTRATIONS





# IMPORTANT SAFEGUARDS

---

1. When using electrical appliances, basic safety precautions should always be followed, including the following:
2. **Read all instructions before use.**
3. Do not touch hot surfaces. Use handles or knobs.
  - WARNING - to protect against electric shock, fire and personal injury: do not immerse cord, plug or motor unit in water or other liquids;
  - do not immerse the appliance or any electrical components in water or any other liquids;
  - always switch off and unplug the appliance before cleaning.
4. Close supervision is necessary when any appliance is used by or near children.
5. Unplug from wall outlet when not in use and before cleaning. Allow to cool before handling, putting on or taking off parts, and before cleaning the appliance.
6. Do not operate any appliance with a damaged cord or plug, or after the appliance malfunctions or has been damaged in any manner. Call our toll-free customer assistance number for information on examination, repair, or adjustment.
7. The use of accessory attachments not recommended by the appliance manufacturer may result in fire, electric shock or injuries to persons.
8. Do not use outdoors or in a damp area.
9. Do not let power cord hang over edge of table or counter, or touch hot surfaces.
10. Do not place on or near a hot gas or electric burner or in a heated oven.
11. Extreme caution must be used when moving a fryer containing hot oil or other hot liquids.
12. Always attach plug to appliance first, then plug cord in the wall outlet. To disconnect, turn the temperature control knob to 0, then remove plug from wall outlet.
13. Do not use appliance for other than intended use.
14. Be sure handles are properly assembled to basket and locked in place.

15. Remove excess surface moisture from foods prior to cooking to prevent heated oil from foaming out when food is added.
16. Ensure both the lid and oil reservoir are completely dry after washing and before use.
17. Never leave the appliance unattended during operation.
18. A fire may occur if the appliance is covered or touches flammable material, including curtains, draperies, walls, and the like, when in operation. Do not store any item on top of the appliance when in operation.
19. In the event of fire, **never try to extinguish the flames with water.** Unplug the appliance from the wall outlet. Place the lid on the appliance, if it can be done safely. Smother the flames with a damp cloth, or use a fire extinguisher.
20. Use only heat resistant tools. Do not use metal tools as they may become hot.
21. Never pull on the power cord to disconnect the appliance from the wall outlet; instead, grasp the plug and pull on the plug.
22. Do not clean with metal scouring pads. Pieces can break off the pad and touch electrical parts involving a risk of electric shock.
23. Do not attempt to defeat the safety switch or remove the silicon rubber sealing plate.
24. **WARNING!** Always wait 3 to 4 hours until the oil has cooled down completely, before draining or filtering. Failure to do so may damage the deep fryer.

# SAVE THESE INSTRUCTIONS

## HOUSEHOLD USE ONLY

### ADDITIONAL SAFEGUARDS

---

This appliance is for **HOUSEHOLD USE ONLY.**

#### **WARNING:**

- Over tightening can result in stripping of screws or nuts or cracking of handle, lid or control panel assembly.

Periodically check for looseness and retighten screws or nuts in accordance with manufacturer's instructions.

## **WARNING:**

- **SERIOUS HOT OIL BURNS MAY RESULT FROM A DEEP FRYER BEING PULLED OFF A COUNTERTOP. DO NOT ALLOW THE CORD TO HANG OVER THE EDGE OF THE COUNTER WHERE IT MAY BE GRABBED BY CHILDREN OR BECOME ENTANGLED WITH THE USER.**
- **DO NOT USE WITH AN EXTENSION CORD.**
- **DO NOT OPERATE THIS APPLIANCE, IF THE POWER CORD SHOWS DAMAGE OR IF APPLIANCE WORKS INTERMITTENTLY OR STOPS WORKING ENTIRELY.**

## **POLARIZED PLUG**

---

This appliance has a polarized plug (one blade is wider than the other). To reduce the risk of electric shock, this plug is intended to fit into a polarized outlet only one way. If the plug does not fit fully into the outlet, reverse the plug. If it still does not fit, contact a qualified electrician. Do not attempt to modify the plug in any way. Do not let children handle or put the electrical cord into their mouths.

## **SHORT CORD INSTRUCTIONS**

---

A short power supply cord is provided to reduce the hazards resulting from becoming entangled in, or tripping over a longer cord.

## **BEFORE THE FIRST USE**

---

- Remove all packaging materials and/or other transportation means.
- Check package content to verify it is complete and undamaged. Do not operate the appliance if the content is incomplete or appears damaged.

### **Danger of suffocation!**

- Packaging materials are not toys. Always keep plastic bags, foils and foam parts away from babies and children. Packaging material could block airways and prevent breathing.

## NOTE:

- The appliance may produce an odor and/or emit smoke when switched on for the first time, as residues from the production process are eliminated. This is normal and does not indicate a defect or hazard. Ensure ample ventilation.
- Clean the appliance thoroughly before using for the first time (Cleaning and Maintenance).

## ASSEMBLY

---

See Illustrations (page 5 & 6).

- Place the appliance on a clean, flat and heat resistant surface.
- Before using your appliance make sure:
  - the basket handle **(7)** is locked in place in the basket **(6)**. To lock the basket handle **(7)** in place, press the bars together and slide them between the slots. Inserting the ends of the bars into the bracket on the basket **(6)** and push the handle **(7)** backwards (ill. a and b). Do not assemble any other way (ill. c).
  - the oil reservoir **(9)** is secured in the correct position with the oil filter cover **(11)** and oil valve **(12)** on the same side than the oil filtration control knob **(14)** (ill. d). Ensure the oil filter cover **(11)** is in place inside the oil reservoir **(9)**.
  - the control panel assembly **(22)** is placed on the connecting plate on the back of the housing **(13)**. Ensure the grooves of the connecting plate are in the guides of the control panel assembly (ill. e).

## NOTE:

- **YOUR APPLIANCE IS EQUIPPED WITH A SAFETY SWITCH (5) LOCATED ON THE CONTROL PANEL ASSEMBLY (22). IF THE CONTROL PANEL ASSEMBLY (22) IS NOT PLACED PROPERLY IN ITS POSITION, THE APPLIANCE WILL NOT OPERATE.**
- Incorrect assembly may lead to an unstable setup and might cause injuries.
- The silicon rubber sealing plate **(23)** prevents hot steam escaping from under the lid. Do not attempt to remove.

# USING THE APPLIANCE

---

This appliance can be used for frying food such as French fries, chicken or fish pieces (see Recommended frying times and temperatures).

## NOTE:

- The appliance has a rated power of 1700W. Before plugging it into the wall outlet, ensure that the electrical circuit is not overloaded with other appliances. This appliance should always be operated on a separate 120V ~ 60Hz wall outlet.
- Make sure the appliance is switched off before connecting it to a wall outlet.
- Place the appliance on a clean, flat and heat-resistant surface. When using the appliance on wooden surfaces, use a heat resistant mat to protect the wood from damages. Ensure a minimum distance around the appliance of at least 4 inches to other objects, cupboards and walls.
- Ensure the oil container **(15)** is assembled, empty and in place inside the appliance, the oil filtration control knob **(14)** is on the **LOCK** position and the oil filter cover **(11)** is in place inside the oil reservoir **(9)**. Then, pour suitable cooking oil into the oil reservoir **(9)** (ill. f).

## Danger of burns!

- Never refill the oil reservoir **(9)** during use or while hot. Always allow the appliance to cool down completely. Do not mix new oil with old oil.

## WARNING:

- DO NOT OVER OR UNDER FILL (ill. f). The minimum oil capacity is 1.9L (**MIN**), the maximum oil capacity is 3L (**MAX**). Ensure the oil level always remains between the **MIN** and **MAX** marking **(10)**.
- Spread a little oil on the inside of the view window **(2)** to prevent condensation.
- Place the lid **(3)** onto the housing **(13)**.
- Ensure the temperature control knob **(24)** is on the **0** position before attaching the magnetic plug **(18)** to the socket on the back side of the control panel assembly **(22)** (ill. g).

**NOTE:**

- The magnetic plug **(18)** is designed to only fit one way. Ensure the side stating **THIS SIDE UP** is facing up and the magnetic plug **(18)** is properly attached.

- Insert the plug **(17)** into a wall outlet (ill. g).

**WARNING:**

- Only use accessories recommended by the manufacturer. Do not place any other materials in the appliance.
- Never let the power cord **(17)** come in contact with the lid **(3)** or appliance housing **(13)** during use (ill. h).

**Danger of burns!**

- Do not touch the lid **(3)** or appliance housing **(13)** during or after use (ill. i). Only use the handles **(2, 7, 20)** provided.
  - Always pay special attention when adding or removing accessories and food from the appliance. Never touch the lid **(3)** or appliance housing **(13)** when the appliance is plugged in and switched on or immediately after use. It is recommended to always use oven mitts.
  - Escaping steam can burn.
- Turn the temperature control knob **(24)** to the required temperature (see Recommended frying times and temperatures) (ill. j). The **POWER** indicator **(26)** will turn on to indicate the appliance is heating. Once the set temperature has been reached, the **READY** indicator **(25)** will turn on.

Approximate time durations until set temperature is reached:

Temperature setting (°F / °C)	Time (minutes)
265 / 130	About 7
300 / 150	About 8
340 / 170	About 10
375 / 190	About 13

- After the oil has been preheated, remove the lid **(3)**.
- Place the basket **(6)** on a clean, flat and heat resistant surface.
- Fill the basket **(6)** with food (ill. k). Do not overfill the basket **(6)** (ill. L).

## WARNING:

- Do not fry food without the basket **(6)** (ill. m).
  - Do not fill the basket **(6)** over half way. Too much food can cause excess foaming and could cause the oil to overflow during operation.
  - Food added to the appliance must be dry. If frying frozen foods such as French fries or chicken wings, remove all ice particles from the frozen foods prior to frying to prevent oil from overflowing.
  - Always remove excess moisture from food by patting with paper towel before frying. Even a small amount of water can cause severe splattering of hot oil.
  - After immersing the basket **(6)** in the oil, immediately place the lid **(3)** on the appliance. Danger of hot oil splashing out.
- Carefully lower the basket **(6)** into the oil reservoir **(9)** (ill. n).
  - Cover the oil reservoir **(9)** with the lid **(3)** (ill. o). Ensure the recessed parts of the lid **(3)** fit properly over the basket handle **(7)** and silicon rubber sealing plate **(23)**.

## NOTE:

- When frying fresh cut potatoes and high moisture content food, lower the basket slowly into the oil. If the oil boils or foams too rapidly, raise the basket for a few seconds and lower again. Do this until the basket can be lowered without excess foaming.
  - Do not place the lid **(3)** on the appliance when frying fresh cut potatoes or other high moisture content foods.
  - For frying times, see Recommended frying times and temperatures or follow the instructions from the food manufacturer.
- After the frying time has elapsed, remove the lid **(3)**.
  - Use the handle **(7)** to lift out the basket **(6)** and hang it onto the basket hook **(8)** onto the rim of the oil reservoir **(9)** (ill. p).
  - Let the food drain in the basket **(6)** for a few seconds to remove excess oil and retain crispness.
  - Use the handle **(7)** to carefully lift the basket **(6)** and pour the food onto a heat resistant dish that has been covered with a paper towel to collect remaining oil.

**WARNING:**

Never place the hot basket **(6)** directly on a tabletop or countertop to avoid damage to surfaces. It is recommended to use a heat resistant trivet or cutting board.

- Place the basket **(6)** on a clean, flat and heat resistant surface.
- After the cooking process is finished, turn the temperature control knob **(24)** to the **0** position and remove the plug **(17)** from the wall outlet. Then, remove the magnetic plug **(18)** from the socket on the back side of the control panel assembly **(22)** (ill. q).

**WARNING:**

- Always disconnect the plug **(17)** from the wall outlet before removing the magnetic plug **(18)** from the control panel assembly **(22)**.
- The break-away power cord is for accidental disconnection. Do not remove during normal operation. If the magnetic plug **(18)** is disconnected, immediately remove the plug **(17)** from the wall outlet. Turn the temperature control knob **(24)** to the **0** position. Reconnect the magnetic plug **(18)** to the control panel assembly **(22)** and then reconnect the plug **(17)** to the wall outlet.
- This appliance generates heat and steam during use. Proper precautions must be taken to prevent the risk of burns, fires or other injuries to persons or damage to property. Do not leave the appliance unattended while in use.
- The surfaces of the appliance become hot. Do not touch while in use. Allow the appliance to cool at least 30 minutes before handling.

## RECOMMENDED FRYING TIMES AND TEMPERATURES

---

**NOTE:**

The frying times in the chart below are approximate and should be adjusted to suit your own tastes, different food quantities and food manufacturer's instructions.

Food	Temperature setting (°F / °C)	Time (minutes)
Frozen French fries	375 / 190	8 - 12
French fries	375 / 190	8 - 10
Meat strips	375 / 190	10 - 14
Chicken wings	375 / 190	10 - 14
Fish (battered)	340 / 170	3 - 5
Seafood	340 / 170	3 - 5

## CHOOSING THE RIGHT COOKING OIL

**As a general rule, choose cooking oils with a high smoke point and avoid flavored oils.**

Suitable: Pure corn oil, blended vegetable oil, soybean oil, sunflower oil, grape seed oil, peanut oil

Not suitable: Olive oil, walnut oil, lard

## COOKING WITH OIL

Cooking oil can enhance the food's flavor – or spoil its taste. As with any other food component, freshness and correct handling of the oil is the key to successful deep frying results.

The quality of the oil decreases with use at high temperatures. Food particles, water and other liquids will further lower its quality, therefore:

- Do not mix different cooking oils.
- Only use fresh and clean cooking oils:
  - Regularly remove burnt food particles while frying. Always use utensils that are safe to immerse into hot oils without damaging the utensil or the appliance, and always wear oven mitts when removing any burnt food particles.
  - After use and before storage, filter oil with the integrated filtration system (see Oil Filtration)
  - Do not reuse oil that has been used to fry fish or other strongly flavored food.
  - Some meats, such as chicken wings, will release large amounts of liquids when frying, thus watering down the oil. Do not reuse this oil.

<b>Do not use the cooking oil anymore if you notice the following:</b>
Before use: oil smells rancid or its color has visibly darkened.
While frying: oil is foaming strongly or smoke appears on the oil's surface at normal operating temperature.

## OIL FILTRATION

---

### NOTE:

- Filter the oil after each use. Store filtered oil properly (see Storing oil).
  - Discard of oil on a regular basis depending on oil quality (see Cooking with oil).
  - After switching off the appliance, wait at least 3 hours for the oil to cool down, depending on the settings selected during use. Hotter oil will take longer to reach a cool temperature.
  - Filtering the oil after each use will help prolong the life of the cooking oil, but it should still be discarded if the oil is deteriorated after multiple use. We estimate that oil, in normal use, should be changed at least after every 10 uses.
- Ensure the oil container **(15)** is assembled, empty and in place inside the appliance.
  - Once the oil has cooled down to room temperature, turn the oil filtration control knob **(14)** to the **FILTER OIL** position (ill. r). The oil will start dripping inside the oil container **(15)**. The oil filter cover **(11)** will keep food residues from being transferred to the oil container **(15)**.
  - When all oil has been filtered:
    - Turn the oil filtration control knob **(14)** to the **LOCK** position if the container will remain inside the appliance.
    - Turn the oil filtration control knob **(14)** to **UNLOCK** position if the container is to be removed from the appliance.

### NOTE:

- Always wait 3 to 4 hours until the oil has cooled down completely, before draining or filtering.
- Extreme caution must be used when moving the appliance while the oil reservoir **(9)** and oil container **(15)** are not both empty.

- When removing the oil container **(15)** from the appliance, handle with care. Keep the oil container **(15)** flat and hold it with both hands.

## Emptying the oil container

Filtered oil can be stored in a suitable container (see Storing oil) or re-used for frying a new batch of food (see Cooking with oil).

- Unscrew the cap **(16)** on top of the oil container **(15)** (ill. s).
- Slowly pour the oil container **(15)** content into a suitable container or the oil reservoir **(9)**, if required.

### NOTE:

- Ensure the oil filtration control knob **(14)** is on **UNLOCK** position before pouring oil into the oil reservoir **(9)**.
- Tilt the oil container **(15)** upwards (vertical position) gradually to avoid leaks from the side of the container.
- Oil can be stored in the oil reservoir **(9)**, inside the deep fryer or in another cool dry place (see Storing oil).
- Screw the cap **(16)** back on top of the oil container **(15)**.
- Insert the oil container **(15)** back into the appliance and turn the oil filtration control knob **(14)** to the **LOCK** position to secure the oil container **(15)** in place (ill. t).

## STORING OIL

---

- Do not store used cooking oil in the refrigerator. Choose a cool place that is not subject to sunlight. Generally, oil may be stored for a period of 3 months, once the bottle is opened. Please observe the oil manufacturer's storage directions as well.

## HINTS AND TIPS

---

- Smaller quantities of food normally require a slightly shorter cooking time than larger quantities of food.

- To reduce cooking time, defrost food prior to cooking. It is recommended that some foods should not be thawed/defrosted prior to cooking, such as frozen fish, and frozen French fries.
- It is recommended to use a meat thermometer to check the cooking progress.
- In the event of food flare-ups, do not remove the lid **(3)**, do not remove the basket **(6)**; turn the temperature control knob **(24)** to the **0** position and unplug the appliance.
- When the food you are cooking requires shaking, it is recommended to use a timer set for half of the suggested cooking time. This way a bell will ring and remind you to shake the basket **(6)**.
- It is recommended to only use nylon, heat-proof plastic or wooden cooking utensils. Metal utensils may become hot and damage the non-stick surface. Always remove utensils from the appliance. Do not leave them in the appliance during use.

## CLEANING AND MAINTENANCE

---

Proper maintenance will ensure many years of service from your appliance. Clean the appliance after every use. The appliance contains no user serviceable parts and requires little maintenance. Leave any servicing or repairs to qualified personnel.

### WARNING:

- Always turn the temperature control knob **(24)** to the **0** position, disconnect the plug **(17)** from the wall outlet and then the magnetic plug **(18)** from the control panel assembly **(22)** before cleaning. Allow all parts of the appliance to cool down completely.

### NOTE:

- Do not immerse the power cord with plug **(17)**, magnetic plug **(18)** or appliance into water or any other liquids. Do not use abrasive cleaners, steel wool or scouring pads. Dry all parts thoroughly after cleaning, before using or storing the appliance. Ensure that no water enters the appliance housing **(13)**.
- Do not attempt to attach the magnetic plug **(18)** permanently to the appliance.
- Do not attempt to remove the silicon rubber sealing plate **(23)**.

- Ensure the oil container **(15)** is in place, then turn the oil filtration control knob **(14)** to **FILTER OIL** position to empty the oil reservoir **(9)** (see Oil filtration).
- Place the basket **(6)** on a clean, flat and heat resistant surface.

### **Danger of burns!**

- Ensure the basket **(6)** cooled down completely before touching its surface and attempting to remove the basket handle **(7)**.
- Ensure the oil cooled down completely before emptying the oil reservoir **(9)** into the oil container **(15)**.
- Remove the basket handle **(7)** from the basket **(6)**.
- Remove the control panel assembly **(22)** from the oil reservoir **(9)**. Carefully clean the control panel assembly **(22)** and immersion heater **(21)** with a damp cloth.
- Pull the oil filter cover **(11)** from the oil reservoir **(9)** and then remove the oil reservoir **(9)** from the housing **(13)**.
- Open the lid filter cover **(29)** and remove both black and white filters **(27, 28)** (ill. u).
- Clean the appliance housing **(13)** with a damp cloth.
- Wash the lid **(3)**, basket **(6)**, basket handle **(7)**, oil reservoir **(9)** and oil filter cover **(11)** with hot soapy water or in a dishwasher. Rinse and dry carefully.
- Dry all parts thoroughly after cleaning and before using the appliance again.

### **NOTE:**

- If the oil container **(15)** needs to be cleaned, ensure it is empty before attempting to clean (see Emptying the oil container). Wash with hot soapy water or in a dishwasher. Rinse and dry carefully.
- Clean the filters **(27, 28)** every 3 months or after every 12 uses with hot soapy water. Do not clean in a dishwasher.
- Dry all parts and surfaces thoroughly before use. Make sure that all parts and surfaces are completely dry before connecting the appliance to a wall outlet. Even a small amount of water can cause severe splattering of hot oil.

## STORAGE

---

- Before storage, always make sure the appliance is completely cool, clean and dry.
- It is recommended to store the appliance in a dry place.
- Store the appliance on a stable shelf or in a cupboard. To avoid accidents, ensure that both the appliance and its power cord are beyond reach of children or pets.

## TROUBLESHOOTING

---

The appliance is not working	Magnetic plug not properly fitted	Connect the magnetic plug to the electrical outlet before connecting the plug to the wall outlet
	Control panel assembly not installed correctly	Install the control panel assembly correctly
	Appliance not plugged in	Insert the plug into the wall outlet
	Wall outlet not energized	Check fuses and circuit breaker
	Malfunctioning appliance	Unplug the appliance from the wall outlet and contact qualified personnel to check and repair the appliance
	Overheated oil or appliance	Unplug the appliance from the wall outlet and allow the appliance / oil to cool down. Then press the reset button.
Oil is spilling over the rim	Overfilled oil reservoir	Unplug the appliance from the wall outlet and allow the appliance / oil to cool down. Then, remove excess of oil
	Overfilled basket	Lift out the basket by its handle and hang it onto the basket hook into the notch. Remove excess of food with suitable utensils
The appliance is working but the	Damaged <b>POWER</b> indicator	Unplug the appliance from the wall outlet and contact

<b>POWER</b> indicator does not light up		qualified personnel to check and repair the appliance
The <b>POWER</b> indicator lights up but the appliance does not heat up	Preheat time too short	Allow the appliance to preheat for a longer time
	Malfunctioning appliance	Unplug the appliance from the wall outlet and contact qualified personnel to check and repair the appliance
The appliance heats up but the temperature control knob is on the 0 position	Malfunctioning temperature control knob	Unplug the appliance from the wall outlet and contact qualified personnel to check and repair the appliance
The basket cannot be removed from the oil reservoir	Basket handle not attached properly	Remove fried food using suitable utensils and allow the appliance / oil to cool down completely before removing the basket
The appliance produces an odor and emits smoke	Oil has been overused or oil is not suitable	Unplug the appliance from the wall outlet and allow the appliance / oil to cool down. Then, remove oil and replace with fresh, new suitable oil
	Malfunctioning appliance	Unplug the appliance from the wall outlet and contact qualified personnel to check and repair the appliance
Cooking oil is foaming	Overfilled basket	Lift out the basket by its handle and hang it onto the basket hook into the notch. Remove excess of food with suitable utensils
	Excess moisture in the food	Raise the basket for a few seconds and lower again. Repeat until the basket can be lowered without excess foaming
	Remaining ice particles not removed from frozen foods	Raise the basket for a few seconds and lower again. Repeat until the basket can be lowered without excess foaming
Oil is leaking from the appliance	Oil filtration control knob in the <b>FILTER OIL</b>	Unplug the appliance from the wall outlet and clean the

	position without oil container in place	appliance. Insert the oil container and turn the oil filtration control knob on the <b>LOCK</b> position before using the appliance again
	Overfilled oil container	Unplug the appliance from the wall outlet. Ensure the oil filtration control knob is on the <b>UNLOCK</b> position and remove the oil container from the appliance. Empty and clean before using the appliance again
	Damaged oil container	Unplug the appliance from the wall outlet. Ensure the oil filtration control knob is on the <b>LOCK</b> position and contact qualified personnel to check and repair the appliance
	Damaged oil filter assembly	Unplug the appliance from the wall outlet and contact qualified personnel to check and repair the appliance

If additional assistance is needed, please contact our Customer Assistance at 1-888-521-TEAM.

## WARRANTY

---

We suggest that you complete and return the enclosed Product Registration Card promptly to facilitate verification of the date of original purchase. However, return of the Product Registration Card is not a condition of these warranties. You can also fill out this warranty card online, at the following address: [www.KALORIK.com](http://www.KALORIK.com)

This KALORIK product is warranted in the U.S.A. and in Canada for 1 year from the date of purchase against defects in material and workmanship. This warranty is not transferable. Keep the original sales receipt. Proof of purchase is required to obtain warranty performance.

During this period, if the KALORIK product, upon inspection by KALORIK, is proven defective, it will be repaired or replaced, at Kalorik's option, without charge to the customer. If a replacement product is sent, it will carry the remaining warranty of the original product.

This warranty does not apply to any defect arising from a buyer's or user's misuse of the product, negligence, failure to follow KALORIK instructions noted in the user's manual, use on current or voltage other than that stamped on the product, wear and tear, alteration or repair not authorized by KALORIK, or use for commercial purposes. There is no warranty for glass parts, glass containers, filter basket, blades and agitators. There is also no warranty for parts lost by the user.

ANY WARRANTY OF MERCHANTABILITY OR FITNESS WITH RESPECT TO THIS PRODUCT IS ALSO LIMITED TO THE ONE YEAR LIMITED WARRANTY PERIOD.

Some states do not allow limitation on how long an implied warranty lasts or do not allow the exclusion of incidental or consequential damages, so the above limitations may not apply to you. This warranty gives you specific legal rights, and you may also have other rights which vary from state to state.

If the appliance should become defective within the warranty period and more than 30 days after date of purchase, do not return the appliance to the store: often, our Customer Service Representatives can help solve the problem without having the product serviced.

If servicing is needed, a Representative can confirm whether the product is under warranty and direct you to the nearest service location.

If this is the case, send the product via your pre-paid postage back to Kalorik, along **with proof of purchase** and a **return authorization number** indicated on the outer package, given by our Customer Service Representatives. Send to the authorized KALORIK Service Center (please visit our website at [www.KALORIK.com](http://www.KALORIK.com) or call our Customer Service Department for the address of our authorized KALORIK Service Center).

When sending the product, please include a letter explaining the nature of the claimed defect.

If you have additional questions, please call our Customer Service Department (please see below for complete contact information), Monday through Thursday from 9:00am - 5:00pm (EST) and Friday from 9:00am - 4:00pm (EST). Please note hours are subject to change.

If you would like to write, please send your letter to:

**KALORIK Customer Service Department**

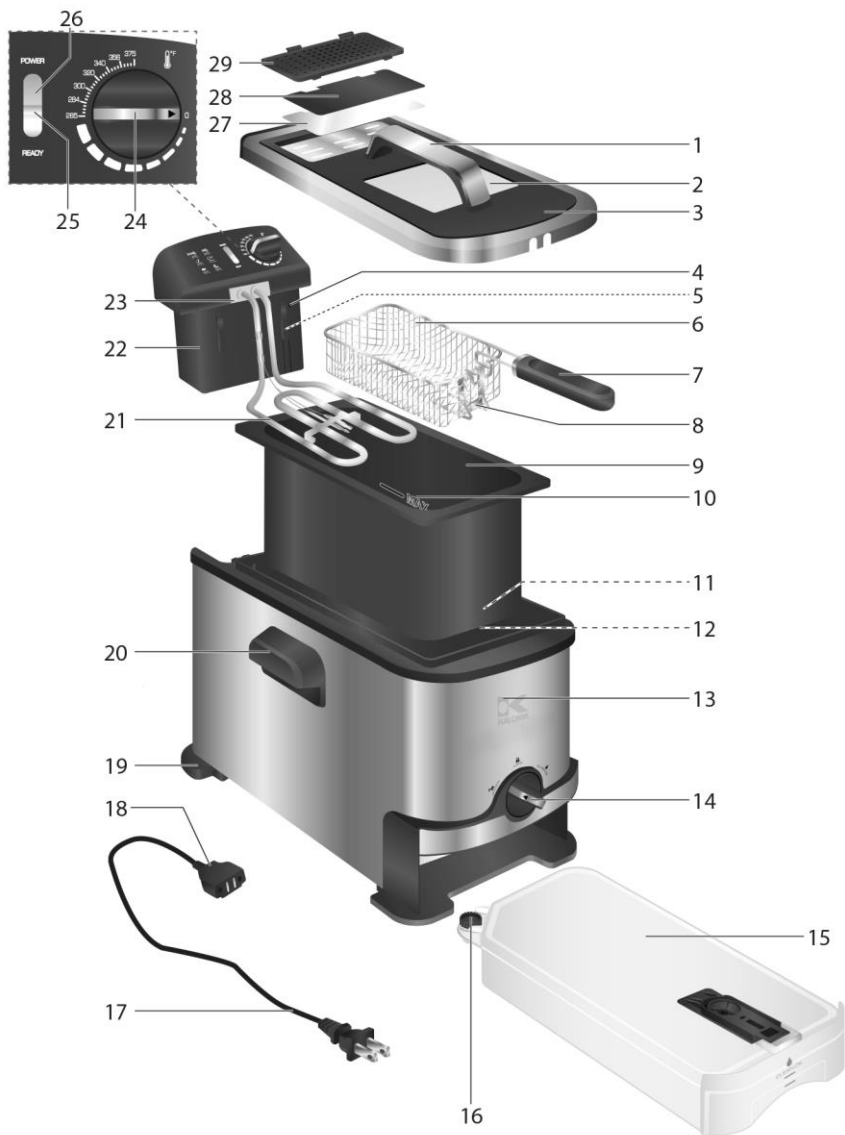
Team International Group of America Inc.  
16175 NW 49th Avenue  
Miami Gardens, FL 33014 USA

Or call:

Toll Free: +1 888-521-TEAM / +1 888-KALORIK

**Only letters can be accepted at this address above. Shipments and packages that do not have a return authorization number will be refused.**

# PARTES



## DESCRIPCION DE LAS PARTES

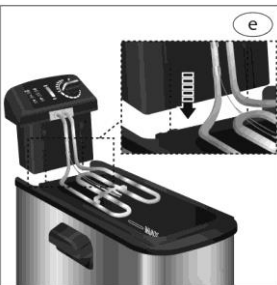
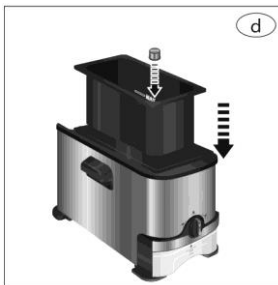
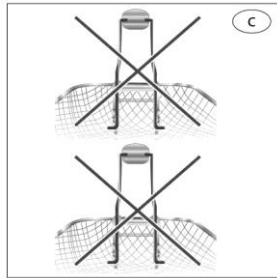
---

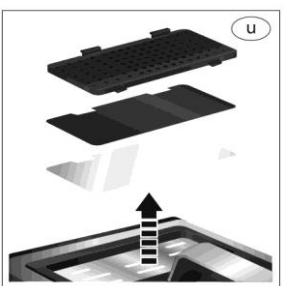
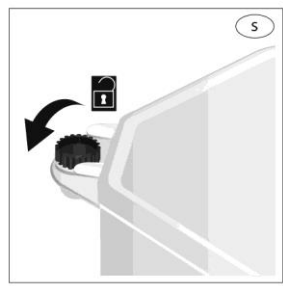
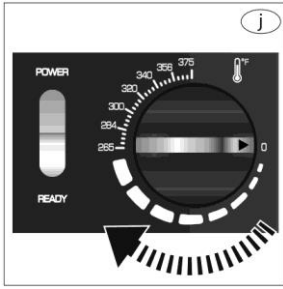
1. Mango de la tapa
2. Ventana de visión
3. Tapa
4. Botón de reinicio
5. Interruptor de seguridad
6. Cesta de freír
7. Mango de la cesta
8. Gancho de la cesta
9. Depósito de aceite
10. Marca de nivel de aceite MIN  
MAX
11. Cubierta filtro de aceite
12. Válvula de aceite
13. Carcasa
14. Perilla de control de filtración  
de aceite
15. Contenedor de aceite
16. Tapón
17. Cable de alimentación con  
enchufe
18. Enchufe magnético
19. Pies de apoyo antideslizantes
20. Asas laterales
21. Calentador de inmersión
22. Conjunto del panel de control
23. Placa selladora de silicona
24. Perilla de control de  
temperatura
25. Indicador de listo (verde)
26. Indicador de poder (azul)
27. Filtro de grasa blanca
28. Filtro de olor a carbón
29. Tapa del filtro

## ESPECIFICACIONES TÉCNICAS

Modelo	Voltage	Potencia	Capacidad
FT 43721 BK	120V, 60Hz	1700W	3.2 QT / 3 L

# ILLUSTRATIONS





# MEDIDAS IMPORTANTES DE SEGURIDAD

---

1. Cuando se utilizan aparatos eléctricos, se deben seguir las precauciones básicas de seguridad, incluyendo las siguientes:
2. **Lea todas las instrucciones antes de usar.**
3. No toque la superficie caliente. Utilice las asas o las perillas.
  - ADVERTENCIA - para proteger contra descarga eléctrica, fuego y lesiones personales: no sumerja el cable, el enchufe o la carcasa del aparato en agua u otros líquidos;
  - no sumerja el aparato o los componentes eléctricos en agua o en cualquier otro líquido;
  - siempre apague y desenchufe el aparato antes de limpiarlo.
4. Si este aparato es utilizado por niños, o cerca de ellos, se debe supervisar su uso.
5. Desenchufe de la toma de corriente cuando no esté en uso y antes de limpiarlo. Deje que se enfríe antes de manipular, colocar o retirar piezas y antes de limpiar el aparato.
6. No utilice ningún producto con un cable o enchufe dañado, después de la falla del producto, o después de haberse caído o dañado de alguna forma. Llame a nuestro número gratuito de asistencia al cliente para obtener información sobre su revisión, reparación o ajuste.
7. El uso de accesorios no recomendados por el fabricante del aparato puede causar un incendio, descarga eléctrica o lesiones personales.
8. No utilice en exteriores o en un lugar húmedo.
9. No permita que el cable eléctrico cuelgue del borde de la mesa o mostrador, ni que toque superficies calientes.
10. No lo coloque sobre o cerca de una hornilla de gas o eléctrica o en un horno caliente.
11. Debe tener mucho cuidado cuando mueva un aparato que contenga aceite caliente u otros líquidos calientes.
12. Coloque siempre el enchufe primero en el aparato y luego enchufe el cable en la toma de corriente. Para apagar el aparato, gire la perilla de control de temperatura a la posición 0, antes de desconectar el enchufe de la toma de corriente.

13. No utilice el aparato para otro uso distinto al indicado.
14. Asegúrese de que los mangos estén correctamente ensamblados a canasta y bloqueados en su lugar.
15. Retire el exceso de humedad de la superficie de los alimentos antes de la cocción para evitar que el aceite caliente forme espuma cuando se añadan los alimentos.
16. Asegúrese de que la tapa y el depósito de aceite estén completamente secos después del lavado y antes del uso.
17. Nunca deje el aparato desatendido durante el funcionamiento.
18. Puede ocurrir un incendio si el aparato está cubierto o en contacto con material inflamable, incluyendo cortinas, telas, paredes y similares, cuando está en funcionamiento. No almacene ningún elemento en la parte superior del aparato cuando esté en uso.
19. En caso de incendio, **nunca intente apagar las llamas con agua**. Desconecte el aparato de la toma de corriente. Coloque la Tapa sobre el aparato, si esto se puede hacer de manera segura. Ahogue las llamas con un paño húmedo, o utilice un extintor de incendios.
20. Utilice solo herramientas resistentes para calentar. No utilice herramientas de metal ya que pueden calentarse.
21. Nunca tire del cable para desconectar el aparato de la toma de corriente; sujete el enchufe y tire del enchufe.
22. No limpie con estropajos de metal. Las piezas metálicas podrían desprenderse de la almohadilla y tocar las partes eléctricas implicando un riesgo de descarga eléctrica.
23. No intente anular el interruptor de seguridad ni quitar la placa de sellado de caucho de silicona.
24. **¡Advertencia!** Espere siempre de 4 horas hasta que el aceite se haya enfriado por completo, antes de drenar o filtrar. Si no hace esto, se podría dañar la freidora.

## **GUARDE BIEN ESTAS INSTRUCCIONES PARA USO DOMÉSTICO SOLAMENTE**

---

## SALVAGUARDIAS ADICIONALES

---

Este producto está destinado EXCLUSIVAMENTE A UN USO DOMÉSTICO.

### **PRECAUCIÓN:**

- Si aprieta demasiado, se podrían desprender tornillos o tuercas o podrían aparecer grietas en el asa, la Tapa o el panel de control.

Verifique periódicamente que los tornillos o tuercas estén bien apretados, de acuerdo con las instrucciones del fabricante.

### **PRECAUCIÓN:**

- LEVANTAR LA FREIDORA DE LA ENCIMERA PUEDE RESULTAR EN GRAVES QUEMADURAS DE ACEITE CALIENTE NO PERMITA QUE EL CABLE CUELGUE DEL BORDE DE LA ENCIMERA, DONDE PUEDE SER AGARRADO POR LOS NIÑOS O PUEDE ENREDARSE CON EL USUARIO.
- NO UTILICE CON UN CABLE DE EXTENSIÓN.
- NO UTILICE ESTE APARATO SI EL CABLE DE ALIMENTACIÓN PRESENTA DAÑOS O SI EL APARATO FUNCIONA DE MANERA INTERMITENTE O DEJA DE FUNCIONAR COMPLETAMENTE.

## ENCHUFE POLARIZADO

---

Este aparato tiene un enchufe polarizado (una clavija es más ancha que la otra). Para reducir el riesgo de descarga eléctrica, este enchufe está diseñado para encajar en una toma de corriente polarizada en una sola dirección. Si el enchufe no entra completamente en la toma de corriente, invierta el enchufe. Si aún así no encaja, contacte con un electricista cualificado. No intente modificar el enchufe de ninguna manera.

No deje que los niños manipulen el cable eléctrico o se lo pongan en la boca.

## INSTRUCCIONES PARA CABLE CORTO

---

Se proporciona un cable de alimentación corto para reducir el riesgo de que éste pueda ser tocado por niños, se puedan enredar en él, o puedan tropezar con un cable más largo

## ANTES DEL PRIMER USO

---

- Retire todos los materiales de embalaje y / o medios de transporte.
- Compruebe que el contenido del paquete esté completo y que no haya daños. No utilice el aparato si el contenido del paquete incompleto o parece estar dañado.

### ¡Peligro de asfixia!

- Los embalajes no son juguetes. Siempre mantenga las bolsas de plástico, láminas y piezas de espuma de poliestireno lejos de los bebés y los niños. El material de embalaje podría bloquear las vías respiratorias e impedir la respiración.

### NOTA:

- El aparato puede producir olor y emitir humo cuando se enciende por primera vez, ya que los residuos del proceso de producción se eliminan. Esto es normal y no indica un defecto o peligro. Asegure una ventilación adecuada
- Limpie el aparato a fondo antes de usarlo por primera vez (vea Limpieza y Mantenimiento).

## MONTAJE

---

Vea la sección "Illustrations" para ilustraciones (páginas 5 & 6).

- Coloque el aparato sobre una superficie limpia y plana y resistente al calor.
- Antes de usar el aparato asegúrese de que:
  - El Mango De La Cesta **(7)** está bloqueado en su sitio en la Cesta De Freír **(6)**. Bloquear el Mango De La Cesta **(7)** en su lugar, presione las barras juntas y deslícelas entre las ranuras. Inserte los extremos de las barras en el soporte de la Cesta De Freír **(6)** y Mango De La Cesta **(7)** hacia atrás (il. a y b). No lo monte de ninguna otra forma (ill. c).
  - El Depósito De Aceite **(9)** se fija en la posición correcta con la Cubierta Del Filtro De Aceite **(11)** y la Válvula De Aceite **(12)** en el mismo lado que la Perilla De Control De Filtración De Aceite **(14)** (il. d). Asegúrese de que la Cubierta Del Filtro De Aceite **(11)** esté colocada dentro del Depósito De Aceite **(9)**.

- El Conjunto Del Panel De Control **(22)** deslizado hacia la placa conectora en la parte posterior de la Carcasa **(13)**. Asegúrese de que las ranuras de la placa conectora estén dentro de las guías del Conjunto Del Panel De Control (ill. e).

**NOTA:**

- **EL APARATO ESTÁ EQUIPADO CON UN INTERRUPTOR DE SEGURIDAD (5) SITUADO EN EL CONJUNTO DEL PANEL DE CONTROL (22). SI EL CONJUNTO DEL PANEL DE CONTROL (22) NO ESTÁ COLOCADO CORRECTAMENTE EN SU POSICIÓN, EL APARATO NO FUNCIONARÁ.**
- Un montaje incorrecto puede conducir a una instalación inestable y podría causar lesiones.
- La Placa Selladora De Silicona **(23)** tiene la función de evitar que el vapor caliente sea expulsado por la Tapa. No intente quitarla.

## USO DEL APARATO

---

Utilice la freidora para freír alimentos tales como patatas fritas, pollo o pescado (vea Tiempos y temperaturas de fritura recomendados).

**NOTA:**

- El aparato cuenta con una potencia nominal de 1700W. Antes de enchufarlo a la toma de corriente, asegúrese de que el circuito eléctrico no esté sobrecargado con otros aparatos. Este artefacto siempre debe operado a través de un enchufe separado de 120V ~ 60Hz.
- Asegúrese de que el aparato esté apagado antes de conectarlo a una toma de corriente.
- Coloque el aparato sobre una superficie limpia, plana y resistente al calor. Cuando utilice el aparato sobre superficies de madera, utilice una alfombrilla resistente al calor para proteger la madera contra daños. Asegure una distancia mínima alrededor de la aplicación de al menos 4 pulgadas a otros objetos, armarios y paredes.
- Asegúrese de que el Contenedor De Aceite **(15)** está montado, vacío y colocado dentro del aparato, que la Perilla De Control De Filtración De Aceite **(14)** está en la posición **LOCK** y la Cubierta Del

Filtro De Aceite **(11)** está dentro del Depósito De Aceite **(9)**. Vierta el aceite de cocina en el Depósito De Aceite **(9)** (ill. f).

### ¡Peligro de quemadura!

- Nunca rellene el Depósito De Aceite **(9)** durante el uso o mientras esté caliente. Siempre deje que el aparato se enfríe completamente. No mezcle aceite nuevo con aceite viejo.

### PRECAUCIÓN:

- NO LLENE EN EXCESO NI DEMASIADO POCO (ill. f). La capacidad de aceite mínima es de 1,9L (MIN), la capacidad máxima es de 3L (MAX). Asegúrese de que el nivel del aceite siempre se encuentra entre las Marca De Nivel De Aceite MIN MAX **(10)**.
- Extienda un poco de aceite en el interior de la Ventana De Visión **(2)** para evitar la condensación.
- Coloque la Tapa **(3)** en la Carcasa **(13)**.
- Asegúrese de que la Perilla De Control De Temperatura **(24)** esté en la posición **0** antes de colocar el Enchufe Magnético **(18)** en la base en la parte posterior del Conjunto Del Panel De Control **(22)** (ill. g).

### NOTA:

- El Enchufe Magnético **(18)** está diseñado para encajar de una sola manera. Asegúrese de que el lado que indica **THIS SIDE UP** (ESTE LADO ARRIBA) esté hacia arriba y el Enchufe Magnético **(18)** está conectado correctamente.
- Conecte el Cable De Alimentación Con Enchufe **(17)** con una toma de corriente (ill. g).

### PRECAUCIÓN:

- Utilice sólo los accesorios recomendados por el fabricante. No coloque ningún otro material en el aparato.
- Nunca deje que el Cable De Alimentación Con Enchufe **(17)** entre en contacto con la Tapa **(3)** o la Carcasa del aparato **(13)** durante su uso (ill. h).

### ¡Peligro de quemadura!

- No toque la Tapa **(3)** la Carcasa del aparato **(13)** durante o después de su uso (ill. i). Sólo manipule el Ventana De Visión por Mango De La Cesta y Asas Laterales **(2, 7, 20)**.
  - Siempre presta especial atención cuando coloque o retire accesorios y alimentos del aparato. Nunca toque la Tapa **(3)** o la Carcasa **(13)** cuando el aparato esté conectado y encendido o inmediatamente después de su uso. Se recomienda utilizar siempre guantes para el horno.
  - Un escape de vapor puede quemar.
- Gire la Perilla De Control De Temperatura **(24)** a la temperatura requerida (vea Tiempos y temperaturas de fritura recomendados) (ill. j). El Indicador **POWER (26)** (Azul) se iluminará para indicar que el aparato se está calentando. El Indicador **READY (25)** (Verde) se enciende cuando la temperatura se alcanza.

Tiempo aproximado de duración hasta que la temperatura se alcanza:

Ajuste de la temperatura (°F / °C)	Tiempo (minutos)
265 / 130	Aproximadamente 7
300 / 150	Aproximadamente 8
340 / 170	Aproximadamente 10
375 / 190	Aproximadamente 13

- Después de que el aceite se ha precalentado, retire la Tapa **(3)**.
- Coloque la Cesta De Freír **(6)** sobre una superficie limpia y plana y resistente al calor.
- Llene la Cesta De Freír **(6)** con el alimento (ill. k). No ponga demasiada comida a la Cesta De Freír **(6)** (ill. l).

### PRECAUCIÓN:

- No fría la comida sin la Cesta De Freír **(6)** (ill. m).
- No llene la Cesta De Freír **(6)** por encima de la mitad. Demasiado alimento puede causar la formación de espuma en exceso y podría hacer que el aceite se desborde durante la operación.
- Los alimentos añadidos al aparato deberán estar secos. Si fríe alimentos congelados tales como papas fritas o alitas de pollo, quite todas las partículas de hielo de los alimentos congelados antes de freír para evitar que el aceite se derrame.

- Siempre quite el exceso de humedad de los alimentos con una toalla de papel antes de freír. Incluso una pequeña cantidad de agua puede causar salpicaduras graves de aceite caliente.
- Después de sumergir la Cesta De Freír **(6)** en el aceite, inmediatamente coloque la Tapa **(3)** en el aparato. Peligro de que el aceite caliente salpique.
- Cuidadosamente baje la Cesta De Freír **(6)** al Depósito De Aceite **(9)** (ill. n).
- Cubra el Depósito De Aceite **(9)** con la Tapa **(3)** (fig. o). Asegúrese de que las piezas empotradas de la Tapa encajen correctamente sobre el Mango De La Cesta **(7)** y la Placa Selladora De Silicona **(23)**.
- Carefully lower the basket **(6)** into the oil reservoir **(9)** (ill. n).

**NOTA:**

- Cuando fría patatas cortadas frescas y alimentos de alto contenido de humedad, baje la cesta lentamente al aceite. Si se desborda el aceite o se hace espuma demasiado rápidamente, levante la cesta durante unos segundos y bájela de nuevo. Haga esto hasta que la cesta se pueda bajar sin exceso de espuma.
- No utilice la Tapa **(3)** al freír las patatas cortadas frescas y otros alimentos con alto contenido de humedad.
- Para los tiempos de fritura, vea Tiempos y temperaturas de fritura recomendados o utilice los tiempos recomendados para su receta.
- Después de que el tiempo de fritura ha transcurrido, retire la Tapa **(3)**.
- Levante la Cesta De Freír **(6)** por el Mango De La Cesta **(7)** y cuelgue en el Gancho De La Cesta **(8)** en el borde del Depósito De Aceite **(9)** (ill. p).
- Deje escurrir los alimentos en la Cesta De Freír **(6)** durante unos segundos para eliminar el exceso de aceite y conservar la frescura.
- Levante con cuidado la Cesta De Freír **(6)** por el Mango De La Cesta **(7)** y coloque la comida en un lugar que haya sido cubierto con una toalla de papel para recoger el aceite restante.

### PRECAUCIÓN:

Nunca coloque la Cesta De Freír **(6)** caliente directamente en la sobremesa o encimera para evitar daños a las superficies. Se recomienda utilizar un trébede o una tabla de cortar.

- Coloque la Cesta De Freír **(6)** sobre una superficie limpia, plana y resistente al calor.
- Después de que el proceso de cocción haya terminado, gire la Perilla De Control De Temperatura **(24)** a la posición **0** y quite el Cable De Alimentación Con Enchufe **(17)** de la toma de corriente. Entonces de quitar el Enchufe Magnético **(18)** de la base en la parte posterior del Conjunto Del Panel De Control **(22)** (ill. q).

### PRECAUCIÓN:

- Desconecte siempre el Cable De Alimentación Con Enchufe **(17)** e la toma de corriente antes de quitar el Enchufe Magnético **(178)** del Conjunto Del Panel De Control **(22)**.
- El cable de alimentación desprendible es para la desconexión accidental. No retire durante el funcionamiento normal. Si el Enchufe Magnético **(18)** está desconectado, retire inmediatamente el Cable De Alimentación Con Enchufe **(17)** de la toma de corriente. Gire la Perilla De Control De Temperatura **(24)** a la posición **0**. Luego vuelva a conectar el Enchufe Magnético **(18)** del Conjunto Del Panel De Control **(22)** entonces de vuelva a conectar el Cable De Alimentación Con Enchufe **(17)** en la toma de corriente.
- Este aparato genera calor y vapor durante su uso. Se deben tomar las precauciones apropiadas para prevenir el riesgo de quemaduras, incendios u otras lesiones a personas o daños a la propiedad. No deje el aparato desatendido mientras está en uso.
- Las superficies de la máquina se calientan. No las toque durante el uso. Deje que el aparato se enfríe por lo menos 30 minutos antes de su uso.

# TIEMPOS Y TEMPERATURAS DE FRITURA RECOMENDADOS

---

## NOTA:

Los tiempos de fritura de la tabla de abajo son aproximados y deben ajustarse para satisfacer sus propios gustos, diferentes cantidades de alimentos y las instrucciones del fabricante de alimentos.

Alimentos	Ajuste de la temperatura (°F / °C)	Tiempo (minutos)
Patatas fritas congeladas	375 / 190	8 - 12
Patatas fritas	375 / 190	8 - 10
Tiras de carne	375 / 190	10 - 14
Alitas de pollo	375 / 190	10 - 14
Pescado (rebozado)	340 / 170	3 - 5
Mariscos	340 / 170	3 - 5

## ELEGIR EL ACEITE PARA COCINAR CORRECTO

---

**Como regla general, elija aceites de cocina con un alto punto de humo y evite los aceites aromatizados.**

Adecuado: Aceite de maíz puro, aceite vegetal mezclado, aceite de soja, aceite de girasol, aceite de semilla de uva, aceite de cacahuete

Inadecuado: Aceite de oliva, aceite de nuez, manteca de cerdo

## COCINAR CON ACEITE

---

El aceite de cocina puede mejorar el sabor de la comida - o echar a perder su sabor. Como con cualquier componente de otros alimentos, la frescura y el manejo correcto de aceite es la clave del éxito de los resultados de la fritura.

La calidad del aceite disminuye con el uso a altas temperaturas. Las partículas de comida, agua y otros líquidos reducirán aún más su calidad, por lo tanto:

- No mezcle diferentes aceites de cocina.
- Utilice sólo aceites de cocina frescos y limpios:

- Regularmente elimine las partículas de alimentos quemados, mientras que fríe. Utilice siempre utensilios que sean seguros para sumergir en aceite caliente sin dañar el aparato o utensilio. Utilice siempre guantes para retirar cualquier trozo de comida quemada.
- Después del uso y antes del almacenamiento, filtre el aceite con el sistema de filtración integrado (vea Filtración de aceite)
- No vuelva a usar el aceite que se ha usado para freír pescado y otros alimentos con sabor fuerte.
- Algunas carnes, como las alas de pollo, liberan grandes cantidades de líquidos al freír, por lo que debe tirar ese aceite. No vuelva a usarlo.

<b>No utilice el aceite de cocina más si observa lo siguiente:</b>
Antes de su uso: el aceite tiene olor rancio o su color se ha oscurecido visiblemente.
Mientras fríe: aceite está hace mucha espuma o empieza a salir humo en la superficie del aceite a la temperatura normal de funcionamiento.

## FILTRACIÓN DE ACEITE

---

### NOTA:

- Filtre el aceite después de cada uso. Almacene de manera adecuada el aceite filtrado (vea Almacenamiento de aceite).
- Deseche el aceite de forma regular dependiendo de la calidad del aceite (Cocinar con aceite).
- Después de apagar el aparato, espere al menos 4 horas para que el aceite se enfríe, dependiendo de los ajustes seleccionados durante el uso. Cuanto más caliente el aceite, más tardará en enfriarse.
- El filtrado del aceite después de cada uso ayudará a prolongar la vida útil del aceite de cocina, pero aún así debe desecharse si el aceite no está en buenas condiciones después de múltiples usos. Calculamos que el aceite, en uso normal, debería ser cambiado al menos cada 10 usos.
- Asegúrese de que el Contenedor De Aceite **(15)** está montado, vacío y colocado correctamente dentro del aparato.

- Una vez que el aceite se haya enfriado a temperatura ambiente, gire la Perilla De Control De Filtración De Aceite **(14)** a la posición **FILTER OIL** (ill. r). El aceite comenzará a gotear dentro del Contenedor De Aceite. La Cubierta Del Filtro De Aceite **(11)** evita que los residuos de alimentos se pasen al Contenedor De Aceite **(15)**.
- Cuando se ha filtrado todo el aceite:
  - Gire la Perilla De Control De Filtración De Aceite **(14)** a la posición **LOCK** si el contenedor permanecerá dentro del aparato.
  - Gire la Perilla De Control De Filtración De Aceite **(14)** a la posición **UNLOCK** si desea retirar el contenedor del aparato.

**NOTA:**

- Espere siempre de 4 horas hasta que el aceite se haya enfriado por completo, antes de drenar o filtrar.
- Se debe tener extrema precaución al mover el aparato si el Depósito De Aceite **(9)** y el Contenedor De Aceite **(15)** no están ambos vacíos.
- A la hora de retirar el Contenedor De Aceite **(15)** del aparato, debe manipularlo con cuidado. Mantenga el Contenedor De Aceite **(15)** plano y sosténgalo con ambas manos.

## Vaciar el Contenedor De Aceite

El aceite filtrado se puede almacenar en un contenedor adecuado (vea Almacenar aceite) o reutilizarse para freír una nueva tanda de alimentos (vea Cocinar con aceite).

- Desenroscar el Tapón **(16)** en la parte superior del Contenedor De Aceite **(15)** (ill. s).
- Vierta lentamente el contenido del Contenedor De Aceite **(15)** en un contenedor adecuado o en el Depósito De Aceite **(9)**, si fuese necesario.

**NOTA:**

- Asegúrese de que la Perilla De Control De Filtración De Aceite **(14)** esté en la posición **UNLOCK** antes de verter el aceite en el Depósito De Aceite **(9)**.

- Incline el Contenedor De Aceite **(15)** hacia arriba (posición vertical) gradualmente para evitar fugas desde el lateral del contenedor.
- El aceite se puede almacenar en el Depósito De Aceite **(9)**, dentro de la freidora o en otro lugar fresco y seco (vea Almacenamiento de aceite).
- Vuelva a enroscar el Tapón **(16)** en el Contenedor De Aceite **(15)**.
- Vuelva a insertar el Contenedor De Aceite **(15)** en el aparato y gire la Perilla De Control De Filtración De Aceite **(14)** a la posición LOCK para fijar el Contenedor De Aceite **(15)** en su lugar (ill. t).

## ALMACENAMIENTO DE ACEITE

---

- No guarde el aceite de cocina usado en el refrigerador. Elija un lugar fresco que no esté expuesto a la luz solar. Generalmente, el aceite puede ser almacenado por un período de 3 meses, una vez que la botella se abre. Tenga en cuenta también las indicaciones del fabricante de almacenamiento de aceite.

## CONSEJOS Y SUGERENCIAS

---

- Pocas cantidades de alimentos requieren menos tiempo de cocción que grandes cantidades.
- Para reducir el tiempo de cocción, descongele los alimentos antes de cocinarlos. Se recomienda que algunos alimentos no se descongelen antes de cocinar, como pescado congelado y papas fritas congeladas.
- Se recomienda usar un termómetro para alimentos para verificar el progreso del asado.
- En caso de que la comida estalle, no retire la Tapa **(3)**, no quite la Cesta De Freír **(6)**; gire la Perilla De Control De Temperatura **(24)** a la posición **0** y desenchufe el aparato.
- Cuando la comida que está cocinando requiera que la sacuda, se recomienda fijar un temporizador de cocina a la mitad del tiempo requerido. De esta manera sonará una campana y le recordará que debe agitar la Cesta De Freír **(6)**.
- Se recomienda utilizar solo nylon, plástico resistente al calor o utensilios de cocina de madera.

Los utensilios de metal pueden calentarse y dañar la superficie antiadherente. Siempre retire los utensilios del aparato. No los deje en el aparato durante su uso.

## LIMPIEZA Y MANTENIMIENTO

---

Un mantenimiento apropiado asegurará muchos años de servicio de su aparato. Limpie el aparato después de cada uso. El aparato no contiene piezas reparables por el usuario y requiere poco mantenimiento. Deje todo mantenimiento o reparación a personal cualificado.

### PRECAUCIÓN:

- Siempre gire la Perilla De Control De Temperatura **(24)** a la posición **0** desconectar el Cable De Alimentación Con Enchufe **(17)** e la toma de corriente entonces de desconectar el Enchufe Magnético **(18)** del Conjunto Del Panel De Control **(22)** antes de limpiar. Deje que todas las partes del aparato se enfríen por completo.

### NOTA:

- No sumerja el cable de alimentación con el Cable De Alimentación Con Enchufe **(17)**, Enchufe Magnético **(18)** y aparato en agua o cualquier otro líquido. No use limpiadores abrasivos, lana de acero o estropajos. Seque bien todas las piezas después de la limpieza, antes de usar o antes de guardar el aparato. Asegúrese de que no entre agua en la Carcasa **(13)**.
- No intente conectar el Enchufe Magnético **(18)** permanentemente al aparato.
- No intente retirar la Placa Selladora De Silicona **(23)**.
- Asegúrese de que el Contenedor De Aceite **(15)** está en su lugar, luego gire la Perilla De Control De Filtración De Aceite **(14)** hacia la posición **FILTER OIL** para vaciar el Depósito De Aceite **(9)** (vea Filtración de aceite).
- Coloque la Cesta De Freír **(6)** sobre una superficie limpia, plana y resistente al calor.

### ¡Peligro de quemadura!

- Asegúrese de que la Cesta De Freír **(6)** se haya enfriado completamente antes de tocar su superficie e intentar retirar el Mango De La Cesta **(7)**.
- Asegúrese de que el aceite se haya enfriado completamente antes de vaciar el Depósito De Aceite **(9)** en el Contenedor De Aceite **(15)**.
- Retire el Mango De La Cesta **(7)** de la Cesta De Freír **(6)**.
- Retire el Conjunto Del Panel De Control **(22)** del Depósito De Aceite **(9)**. Limpie suavemente la superficie del Conjunto Del Panel De Control **(22)** y del Calentador de inmersión **(21)** con un paño húmedo.
- Tire de la Cubierta Del Filtro De Aceite **(11)** del Depósito De Aceite **(9)** y a continuación retire el Depósito De Aceite **(9)** de la Carcasa **(13)**.
- Abra la Tapa del Cubierta Del Filtro **(29)** y extraiga el Filtro De Grasa Blanco, Filtro De Olor Del Carbón **(27, 28)** (ill. u).
- Limpie la Carcasa **(13)** con un paño húmedo.
- Lave la Tapa **(3)**, Cesta De Freír **(6)**, Mango De La Cesta **(7)**, Depósito De Aceite **(9)** y Tapa del Cubierta Filtro De Aceite **(11)** con agua caliente o en el lavavajillas. Enjuague y seque bien.
- Seque bien todas las piezas después de la limpieza, antes de usar el aparato.

#### NOTA:

- Si es necesario limpiar el Contenedor De Aceite **(15)**, asegúrese de que esté vacío antes de intentar limpiarlo (vea Vaciar el Contenedor De Aceite). Lave con agua caliente jabonosa o en el lavavajillas. Enjuague y seque bien.
- Limpie los filtros **(27, 28)** cada 3 meses o cada 12 usos con agua caliente jabonosa. No limpie el filtro en el lavavajillas.
- Seque todas las piezas y superficies a fondo antes de su uso. Asegúrese de que todas las piezas y las superficies estén completamente secas antes de conectar el aparato a una toma de corriente. Incluso una pequeña cantidad de agua puede provocar grandes salpicaduras de aceite caliente.

## ALMACENAMIENTO

- Antes de guardar, siempre asegúrese de que el aparato se enfríe por completo, y que esté limpio y seco.
- Se recomienda guardar el aparato en un lugar seco.
- Guarde el aparato en un estante estable o en un armario. Para evitar accidentes, asegúrese de que tanto el aparato como el cable de alimentación está fuera del alcance de niños o mascotas.

## SOLUCIÓN DE PROBLEMAS

El aparato no funciona	El Enchufe Magnético no se ha instalado correctamente	Conecte el Enchufe Magnético al Conjunto Del Panel De Control antes de conectar el enchufe a la toma de corriente
	El Conjunto Del Panel De Control no está instalado correctamente	Fije el Conjunto Del Panel De Control correctamente
	El aparato no está conectado	Conecte el enchufe a la toma de corriente
	Toma de corriente no energizada	Compruebe los fusibles y disyuntores
	Mal funcionamiento del aparato	Desconecte el aparato de la toma de corriente y póngase en contacto con personal cualificado para comprobar y reparar el aparato
	El aceite o aparato se ha recalentado	Desconecte el aparato de la toma de corriente y deje que el aparato/aceite se enfríe completamente. Luego pulse el botón de reseteo
El aceite se derrama sobre el borde	Depósito De Aceite sobrellenado	Desconecte el aparato de la toma de corriente y deje que el aparato/aceite se enfríe completamente. Entonces retire el exceso de aceite
	Cesta de alimentos demasiado llena	Levante la cesta por el mango y colóquela en el Gancho De La Cesta en la muesca. Retire los

		excesos de comida con utensilios aptos para ello
El aparato funciona pero el indicador <b>POWER</b> no se ilumina	Indicador <b>POWER</b> está dañado	Desconecte el aparato de la toma de corriente y póngase en contacto con personal cualificado para comprobar y reparar el aparato
El indicador <b>POWER</b> se enciende, pero el aparato no calienta	Tiempo de precalentamiento demasiado corto	Deje precalentar el aparato durante más tiempo
	Mal funcionamiento del aparato	Desconecte el aparato de la toma de corriente y póngase en contacto con personal cualificado para comprobar y reparar el aparato
El aparato calienta pero la Perilla De Control De Temperatura está a la posición <b>0</b>	Mal funcionamiento de la Perilla De Control De Temperatura	Desconecte el aparato de la toma de corriente y póngase en contacto con personal cualificado para comprobar y reparar el aparato
No se puede retirar la cesta del Depósito De Aceite	El Mango De La Cesta no está bloqueado adecuadamente	Retire la comida cocinada utilizando utensilios adecuados y deje que el aparato/aceite se enfríe completamente antes de retirar la cesta
El aparato produce un olor y larga humo	El aceite ha sido utilizado con demasiada frecuencia o no es adecuado	Desconecte el aparato de la toma de corriente y deje que el aparato / aceite se enfríe completamente. Entonces retire el aceite y reemplácelo con aceite
	Mal funcionamiento del aparato	Desconecte el aparato de la toma de corriente y póngase en contacto con personal cualificado para comprobar y reparar el aparato
El aceite hace espuma	Cesta de alimentos demasiado llena	Levante la cesta por el mango y colóquela en el Gancho De La Cesta en la muesca. Refire los

		excesos de comida con utensilios aptos para ello
	Demasiada humedad en la comida	Levante la cesta por un par de segundos y bájela nuevamente. Repita el proceso hasta que la cesta se pueda bajar sin que se forme espuma en exceso
	Partículas de hielo que no se han retirado de la comida congelada	Levante la cesta por un par de segundos y bájela nuevamente. Repita el proceso hasta que la cesta se pueda bajar sin que se forme espuma en exceso
Hay fugas de aceite en el aparato	Perilla De Control De Filtración De Aceite en la posición <b>FILTER OIL</b> sin que el Contenedor De Aceite esté en su sitio	Desconecte el aparato de la toma de corriente y limpie el aparato. Inserte el Contenedor De Aceite y gire la Perilla De Control De Filtración De Aceite hacia la posición <b>LOCK</b> antes de volver a usar el aparato
	Contenedor De Aceite sobrellenado	Desconecte el aparato de la toma de corriente. Asegúrese de que la Perilla De Control De Filtración De Aceite esté en la posición <b>UNLOCK</b> y retire el Contenedor De Aceite del aparato. Vaciar y limpiar antes de volver a usar el aparato
	Contenedor De Aceite dañado	Desconecte el aparato de la toma de corriente. Asegúrese de que la Perilla De Control De Filtración De Aceite esté en la posición <b>LOCK</b> y póngase en contacto con personal cualificado para revisar
	Conjunto del filtro de aceite dañado	Desconecte el aparato de la toma de corriente y póngase en contacto con personal cualificado para comprobar y reparar el aparato

Si necesita asistencia adicional, por favor póngase en contacto con nuestro Servicio de atención al cliente en el 1-888-521-TEAM.

## GARANTIA

---

Le sugerimos que complete y nos envíe la Tarjeta de Registro de Producto adjunta de inmediato para facilitar la verificación de la fecha de compra original. Sin embargo, la devolución de la Tarjeta de Registro del Producto no es una condición de estas garantías. También puede completar esta tarjeta de garantía en línea en la siguiente dirección: [www.KALORIK.com](http://www.KALORIK.com)

Este producto KALORIK está cubierto por esta garantía en los Estados Unidos y Canadá durante 1 año a partir de la fecha de compra contra los defectos materiales y de fabricación. Esta garantía no es transferible. Conserve la prueba de compra original. Se exige una prueba de compra para obtener la aplicación de la garantía.

Durante este período, si el producto KALORIK después de una inspección por parte de KALORIK, se manifiesta defectuoso, será reparado o reemplazado, según lo que decida KALORIK, sin gastos para el consumidor. Si se envía un producto de reemplazo, se aplicará la garantía que queda del producto original.

Esta garantía no se aplica a los defectos que surjan del mal uso del producto por parte del comprador o usuario, negligencia, o incumplimiento del manual de instrucciones KALORIK, uso con corriente o voltaje que no sea el estampado en el producto, desgaste, alteración o reparación no autorizada por Kalorik, o el uso del mismo con fines comerciales. No hay garantía para piezas de vidrio, recipientes de vidrio, canasta de filtro, cuchillas y agitadores. Tampoco hay garantía por las piezas perdidas por el usuario.

CUALQUIER GARANTÍA DE COMERCIABILIDAD O APTITUD CON RESPECTO A ESTE PRODUCTO TAMBIÉN ESTÁ LIMITADA A EL PERÍODO DE GARANTÍA LIMITADA DE UN AÑO.

Algunos estados no permiten limitar la duración de la garantía implícita o no permiten la exclusión de daños incidentales o consecuentes, por lo que es posible que las limitaciones anteriores no se apliquen a usted.

Esta garantía otorga derechos legales específicos, y también puede tener otros derechos que pueden variar de un estado a otro.

Si el electrodoméstico tiene algún defecto dentro del período de garantía y más de 30 días después de la fecha de compra, no devuelva el electrodoméstico a la tienda donde le compró: a menudo, nuestro Servicio al Cliente puede confirmar si el producto está en garantía y lo dirigirá al centro de servicio más cercano.

Si fuera este el caso, traiga el producto (o envíelo, correctamente franqueado) con la **prueba de compra** donde se mencione **el número de autorización de devolución** indicado por nuestro Servicio al Cliente, al servicio post-venta KALORIK más cercano (Visite nuestra web [www.KALORIK.com](http://www.KALORIK.com) o llame al Servicio al Consumidor para obtener la dirección del Servicio post-venta KALORIK exclusivo más cercano).

Al enviar el producto, incluya una carta que explique el defecto reclamado.

Si tiene preguntas adicionales, por favor llame al Servicio al Cliente (véase abajo para los datos completos), de lunes a jueves, de las 9:00 a las 17:00 (EST), y el viernes de las 9:00 a las 16:00 (EST). Note que las horas pueden ser modificadas.

Si quiere escribirnos, puede hacerlo a la dirección siguiente:

### **KALORIK Servicio al Cliente**

Team International Group of America Inc.

16175 NW 49<sup>th</sup> Avenue

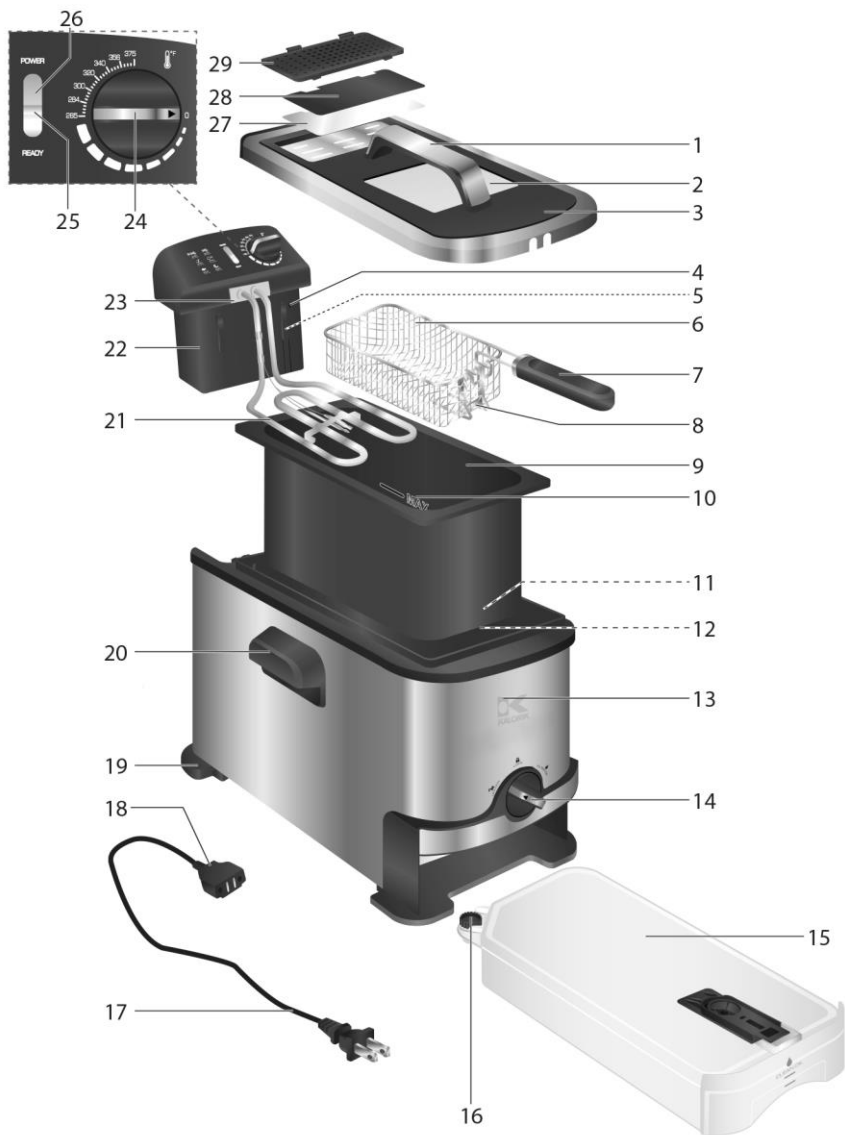
Miami Gardens, FL 33014 USA

O llame gratuitamente (U.S.A.) al +1 888-521-TEAM / +1 888-KALORIK

**Las cartas se aceptan solo en la dirección anteriormente mencionada.**

**Los envíos y paquetes que no tengan número de autorización de devolución serán rechazados.**

# PIÈCES



# DESCRIPTION DES PIÈCES

---

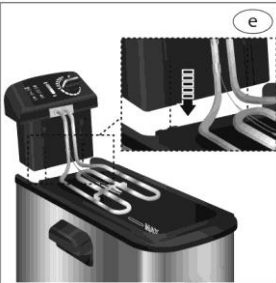
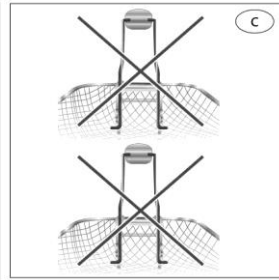
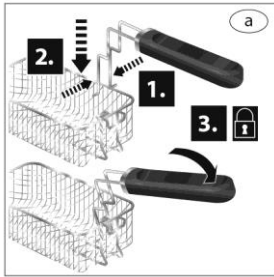
## FRANÇAIS

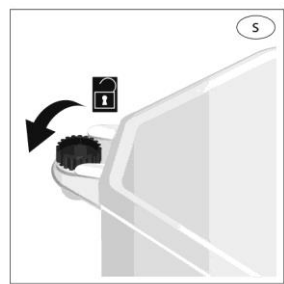
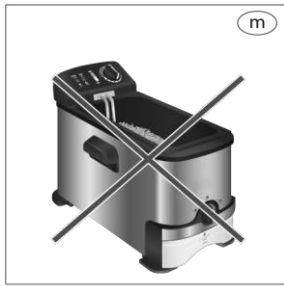
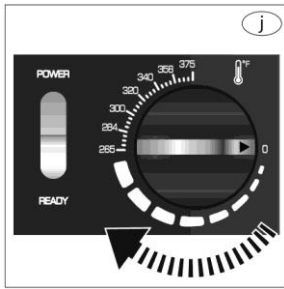
- |  |  |
|--|--|
| 1. Poignée de couvercle                            | 16. Bouchon  |
| 2. Fenêtre en verre                                | 17. Cordon d'alimentation avec<br>fiche              |
| 3. Couvercle                                       | 18. Fiche magnétique                                 |
| 4. Bouton de réinitialisation                      | 19. Pieds antidérapant                               |
| 5. Bouton de sécurité                              | 20. Poignées latérales                               |
| 6. Panier de friture                               | 21. Thermoplongeur                                   |
| 7. Poignée de panier                               | 22. Panneau de commande                              |
| 8. Crochet de panier                               | 23. Plaque d'étanchéité en<br>caoutchouc de silicone |
| 9. Réservoir d'huile                               | 24. Bouton de réglage de<br>température              |
| 10. Indication de niveau d'huile<br>MIN MAX        | 25. Voyant PRÊT (vert)                               |
| 11. Couvercle du filtre d'huile                    | 26. Voyant d'alimentation (bleu)                     |
| 12. Soupape d'huile                                | 27. Filtre à graisse blanc                           |
| 13. Corps  | 28. Filtre à charbon anti-odeurs                     |
| 14. Bouton de commande de la<br>filtration d'huile | 29. Couvercle du filtre                              |
| 15. Bac à huile                                    |  |

## SPÉCIFICATIONS TECHNIQUES

Modèle	Tension	Puissance	Capacité
FT 43721 BK	120V, 60Hz	1700W	3.2 Qt / 3 L

# ILLUSTRATIONS





# CONSIGNES IMPORTANTES DE SÉCURITÉ

---

Lorsque vous utilisez un appareil électrique, vous devez toujours respecter certaines précautions, notamment celles-ci :

1. **Lisez toutes les instructions avant utilisation.**
2. Ne touchez pas les surfaces chaudes. Utilisez les poignées ou les boutons.
3. AVERTISSEMENT : Pour vous protéger contre les chocs électriques, les risques d'incendie ou de blessure : n'immergez jamais le cordon, la fiche ou l'appareil dans l'eau ou dans tout autre liquide.
4. Ne pas immerger l'appareil ou des composants électriques dans l'eau ou dans tout autre liquide ;
5. Toujours éteindre et débrancher l'appareil avant de le nettoyer.
6. Une surveillance étroite est nécessaire lorsque l'appareil est utilisé par des enfants ou à proximité d'enfants.
7. Débranchez l'appareil de la prise murale lorsque vous ne l'utilisez pas et avant le nettoyage. Attendez que l'appareil refroidisse avant d'installer ou d'enlever des pièces et avant tout nettoyage.
8. Ne pas utiliser d'appareil dont la fiche ou le cordon sont endommagés ou si l'appareil est défectueux ou a été endommagé de quelque façon que ce soit. Appelez notre numéro d'assistance clientèle pour plus d'informations sur l'examen, la réparation ou le remplacement de l'appareil.
9. L'utilisation d'accessoires non recommandés par le fabricant de l'appareil peut entraîner un risque d'incendie, d'électrocution ou de blessures.
10. Ne pas utiliser à l'extérieur ou dans une zone humide.
11. Ne laissez pas le cordon pendre au bord d'une table, d'un comptoir ou entrer en contact avec une surface chaude.
12. Ne jamais placer l'appareil sur, ou à proximité, d'un brûleur à gaz, d'une plaque chauffante électrique ou dans un four chaud.
13. Soyez extrêmement prudents lorsque vous déplacez une friteuse contenant de l'huile chaude ou tout autre liquide chaud.
14. Commencez toujours par brancher la prise de l'appareil, puis branchez la fiche à la prise murale. Pour débrancher l'appareil,

tournez le bouton jusqu'à la position 0, et retirez la fiche de la prise murale.

15. N'utilisez pas l'appareil pour une utilisation autre que celle prévue par le fabricant.
16. Assurez-vous que la poignée soit correctement montée sur le panier et verrouillée.
17. Retirez toute humidité de surface excédentaire des aliments avant leur cuisson pour éviter les éclaboussures d'huile chaude lorsque vous ajoutez les aliments.
18. Assurez-vous que le couvercle et le réservoir d'huile soient complètement secs après le lavage et avant l'utilisation.
19. Ne laissez jamais l'appareil sans surveillance durant son fonctionnement.
20. Un incendie peut survenir si l'appareil entre en contact avec des matériaux inflammables (rideaux, tentures, murs, etc.), pendant son fonctionnement. Ne placez jamais rien sur l'appareil en fonctionnement.
21. En cas d'incendie, **n'essayez jamais d'éteindre les flammes avec de l'eau**. Débranchez l'appareil de la prise électrique. Placez le couvercle sur l'appareil, si cela peut être fait en toute sécurité. Éteignez les flammes avec un linge humide, ou utilisez un extincteur.
22. Utilisez uniquement des outils résistants à la chaleur. N'utilisez pas d'outils en métal car ils peuvent devenir très chauds.
23. Ne tirez jamais sur le cordon d'alimentation pour débrancher l'appareil de la prise murale ; au lieu de cela, saisissez la fiche et tirez sur la fiche.
24. Ne jamais nettoyer avec des tampons à récurer en métal. De petites parties métalliques peuvent se détacher et toucher des composants électriques entraînant un risque d'électrocution.
25. Ne jamais désactiver l'interrupteur de sécurité et ne jamais retirer la plaque d'étanchéité en caoutchouc de silicone.
26. **ATTENTION !** Attendez toujours 3 à 4 heures jusqu'au refroidissement total de l'huile avant de vidanger ou filtrer l'huile. Faute de quoi, vous pouvez endommager la friteuse.

## CONSERVEZ CES INSTRUCTIONS USAGE DOMESTIQUE SEULEMENT

## CONSIGNES SUPPLÉMENTAIRES

---

Cet appareil est conçu pour un **USAGE DOMESTIQUE UNIQUEMENT**.

### **ATTENTION :**

- Un serrage excessif peut endommager les vis ou écrous ou fissurer le panneau de contrôle, la poignée ou le couvercle.

Vérifiez périodiquement les vis ou écrous et resserrez-les conformément aux instructions du fabricant.

### **ATTENTION :**

- **L'HUILE CHAUDE PEUT ENTRAINER DE GRAVES BRÛLURES SI LA FRITEUSE EST TIRÉE ET TOMBE DU COMPTOIR. NE LAISSEZ PAS LE CORDON PENDRE SUR LE BORD DU COMPTOIR OÙ IL PEUT ÊTRE SAISI PAR DES ENFANTS OU S'ACCROCHER À L'UTILISATEUR.**
- **N'UTILISEZ PAS DE RALLONGE.**
- **N'UTILISEZ PAS L'APPAREIL SI LE CORDON D'ALIMENTATION PRÉSENTE DES DOMMAGES OU SI L'APPAREIL FONCTIONNE PAR INTERMITTENCE OU CESSE DE FONCTIONNER ENTIÈREMENT.**

## FICHE POLARISÉE

---

Cet appareil est muni d'une fiche polarisée (une lame est plus large que l'autre). Pour réduire le risque d'électrocution, cette fiche est conçue pour s'insérer dans une prise polarisée d'une seule façon uniquement. Si la fiche n'entre pas complètement dans la prise, retournez-la. Si elle ne s'insère toujours pas, contactez un électricien qualifié. N'essayez jamais de modifier la fiche.

Ne laissez pas les enfants manipuler ou mettre le cordon électrique dans leur bouche.

# INSTRUCTIONS CONCERNANT LE CORDON COURT

---

Un cordon d'alimentation court est fourni afin de réduire les risques d'enchevêtrement et vous éviter de trébucher sur un cordon plus long.

## AVANT LA PREMIÈRE UTILISATION

---

- Enlevez tous les matériaux d'emballage ou les autres dispositifs temporaires de transport.
- Vérifiez le contenu de la boîte pour vérifier que l'appareil est complet et en bon état. Ne pas utiliser l'appareil si le contenu est incomplet ou semble endommagé.

### **Danger de suffocation !**

- Les matériaux d'emballage ne sont pas des jouets. Gardez toujours les sacs en plastique, les feuilles et la mousse à l'écart des bébés et des enfants. Le matériau d'emballage pourrait bloquer les voies respiratoires et empêcher la respiration.

### **REMARQUE :**

- L'appareil peut produire une odeur ou émettre de la fumée lorsque vous l'allumez pour la première fois, c'est normal car il élimine ainsi des résidus du procédé de production. Ceci est normal et n'indique pas un défaut ou un danger. Assurez une ventilation suffisante.
- Nettoyez soigneusement l'appareil avant de l'utiliser pour la première fois (nettoyage et entretien).

## MONTAGE

---

Voir les illustrations pages 5 & 6.

- Placez l'appareil sur une surface propre, stable et résistante à la chaleur
- Avant d'utiliser votre appareil, assurez-vous que :
  - la poignée du panier **(7)** est verrouillée sur le panier **(6)**. Pour verrouiller la poignée du panier **(7)**, appuyez simultanément sur les barres et faites-les glisser dans les fentes. Insérer les extrémités

des barres dans les supports situés sur le panier **(6)** et poussez la poignée **(7)** vers l'arrière (Fig. a et b). Ne jamais effectuer le montage autrement (fig. c).

- le réservoir d'huile **(9)** est fixé correctement avec le couvercle du filtre à huile **(11)** et la valve d'huile **(12)** du même côté que le bouton de commande de filtration de l'huile **(14)** (Fig. d). Assurez-vous que le couvercle du filtre à huile **(11)** est en place à l'intérieur du réservoir d'huile **(9)**.
- Le panneau de commande **(22)** est placé sur la plaque de raccordement à l'arrière du corps **(13)**. Assurez-vous que les rainures de la plaque de raccordement sont dans les guides du panneau de commande (Fig. e).

#### REMARQUE :

- **VOTRE APPAREIL EST ÉQUIPÉ D'UN INTERRUPTEUR DE SÉCURITÉ (5) SITUÉ SUR LE PANNEAU DE COMMANDE (22). SI LE PANNEAU DE COMMANDE (22) N'EST PAS PLACÉ CORRECTEMENT, L'APPAREIL NE FONCTIONNERA PAS.**
- Un mauvais montage peut entraîner une configuration instable et causer des blessures.
- La plaque d'étanchéité en caoutchouc de silicone **(23)** empêche la vapeur de s'échapper sous le couvercle. N'essayez pas de l'enlever.

## UTILISATION DE L'APPAREIL

---

Cet appareil peut être utilisé pour frire des aliments riches tels que des frites, des morceaux de poulet ou de poisson (voir les températures et durées de cuisson recommandées).

#### REMARQUE :

- L'appareil a une puissance nominale de 1700 W. Avant de le brancher à une prise murale, assurez-vous que le circuit électrique n'est pas surchargé par d'autres appareils. Cet appareil doit toujours être branché à une prise murale séparée de 120V ~ 60Hz.
- Assurez-vous que l'appareil est éteint avant de le brancher à une prise murale.

- Placez l'appareil sur une surface propre, stable et résistante à la chaleur. Lorsque vous utilisez l'appareil sur des surfaces en bois, utilisez un tapis résistant à la chaleur pour protéger le bois contre les dommages. Respectez une distance minimale autour de l'appareil d'au moins 4 pouces par rapport aux autres objets, armoires et murs.
- Assurez-vous que le bac à huile **(15)** est monté, vide et à l'intérieur de l'appareil, le bouton de commande de filtration de l'huile **(14)** est sur la position de **LOCK** et le couvercle du filtre à huile **(11)** est en place à l'intérieur du réservoir d'huile **(9)**. Puis, versez une huile de cuisson appropriée dans le réservoir d'huile **(9)** (Fig. f).

### Danger de brûlures !

- Ne jamais de remplir le réservoir d'huile **(9)** durant l'utilisation de l'appareil, ou lorsqu'il est encore chaud. Laissez toujours l'appareil refroidir complètement. Ne mélangez pas une nouvelle huile avec une huile usagée.

### ATTENTION :

- **NE JAMAIS REMPLIR TROP, OU TROP PEU (FIG. F).** La capacité minimale d'huile est de 1,9 L **(MIN)**, la capacité d'huile maximale est de 3L **(MAX)**. Assurez-vous que le niveau d'huile reste toujours entre les marquages **MIN** et **MAX (10)**.
- Humidifiez l'intérieur de la fenêtre en verre **(2)** avec de l'huile pour éviter la condensation.
- Placez le couvercle **(3)** sur le corps **(13)**.
- Assurez-vous que le bouton de réglage de température **(24)** est sur la position **0** avant de brancher la fiche magnétique **(18)** à la prise située à l'arrière du panneau de commande **(22)** (Fig. g).

### REMARQUE :

- La fiche magnétique **(18)** est conçue pour se brancher d'une seule façon uniquement. Assurez-vous que le côté indiquant **THIS SIDE UP** est dirigé vers le haut et que la fiche magnétique **(18)** est correctement branchée.
- Branchez la prise **(17)** dans une prise murale (Fig. g).

### ATTENTION :

- Utilisez uniquement des accessoires recommandés par le fabricant. Ne placez rien d'autre dans l'appareil.
- Ne laissez jamais le cordon d'alimentation **(17)** entrer en contact avec le couvercle **(3)** ou avec le corps de l'appareil **(13)** durant l'utilisation (fig. h).

### Danger de brûlures !

- Ne jamais toucher le couvercle **(3)** ou le corps de l'appareil **(13)** durant ou après l'utilisation (Fig. i). Utilisez uniquement les poignées fournies **(2, 7, 20)**.
  - Soyez particulièrement prudents lorsque vous ajoutez ou retirez des accessoires et des alimentations de l'appareil. Ne jamais toucher le couvercle **(3)** ou le corps de l'appareil **(13)** lorsque l'appareil est branché et en marche, ou immédiatement après usage. Nous vous recommandons d'utiliser toujours des gants de cuisine.
  - La vapeur qui s'échappe peut brûler.
- Tournez le bouton de réglage de la température **(24)** à la température requise (voir les températures et durées de cuisson recommandées) (Fig. j). L'indicateur **POWER (26)** s'allume pour indiquer que l'appareil chauffe. Une fois la température de consigne atteinte, le voyant **READY (25)** s'allume.

Durées approximatives pour atteindre la température réglée :

Réglage de la température (°F / °C)	Temps (en minutes)
265 / 130	Environ 7
300 / 150	Environ 8
340 / 170	Environ 10
375 / 190	Environ 13

- Après le préchauffage de l'huile, retirez le couvercle **(3)**.
- Placez le panier **(6)** sur une surface propre, stable et résistante à la chaleur.
- Remplir le panier **(6)** avec des aliments (Fig. k). Ne pas trop remplir le panier **(6)** (fig. l).

### ATTENTION :

- Ne jamais frire d'aliments sans le panier **(6)** (fig. m).

- Ne pas remplir plus de la moitié du panier **(6)**. Mettre trop d'aliments peut entraîner la formation de mousse excessive et peut causer un débordement de l'huile durant le fonctionnement.
  - Les aliments ajoutés à l'appareil doivent être secs. Si vous souhaitez frire des aliments surgelés tels que des frites ou ailes du poulet, enlevez toutes les particules de glace des aliments congelés avant leur cuisson pour éviter que l'huile ne déborde.
  - Toujours retirer l'humidité excessive des aliments en les essuyant avec du papier essuie-tout avant la friture. Même une petite quantité d'eau peut provoquer des éclaboussures d'huile chaude.
  - Après avoir plongé le panier **(6)** dans l'huile, placez immédiatement le couvercle **(3)** sur l'appareil. Danger d'éclaboussures d'huile chaude.
- Abaissez prudemment le panier **(6)** dans le réservoir d'huile **(9)** (fig.n).
  - Couvrez le réservoir d'huile **(9)** avec le couvercle **(3)** (fig. o). Assurez-vous que les parties en retrait du couvercle **(3)** s'ajustent correctement sur la poignée du panier **(7)** et la plaque d'étanchéité en caoutchouc de silicone **(23)**.

#### REMARQUE :

- Lorsque vous faites frire des pommes de terre fraîchement coupées et des aliments humides, descendez le panier lentement dans l'huile. Si l'huile se met à bouillir ou mousse trop rapidement, retirez le panier pendant quelques secondes et plongez-le de nouveau. Faites cela jusqu'à ce que vous puissiez abaisser le panier sans constater de formation excessive de mousse.
  - Ne placez pas le couvercle de l'appareil **(3)** lorsque vous faites frire des pommes de terre fraîchement coupées et des aliments humides.
  - Pour connaître la durée de friture, voir les températures et durées de cuisson recommandées ou suivez les instructions du fabricant des produits alimentaires.
- Lorsque le temps de cuisson est écoulé, retirez le couvercle **(3)**.

- Utilisez la poignée **(7)** pour soulever le panier **(6)** et l'accrocher au crochet de panier **(8)** sur le rebord du réservoir **(9)** (fig. p).
- Laissez la nourriture s'égoutter dans le panier **(6)** pendant quelques secondes pour éliminer l'excès d'huile et conserver le croustillant des aliments.
- Utilisez la poignée **(7)** pour soulever soigneusement le panier **(6)** et verser les aliments dans un plat résistant à la chaleur préalablement couvert d'une serviette en papier pour absorber l'huile restante.

#### ATTENTION :

Ne placez jamais le panier chaud **(6)** directement sur une table ou sur un comptoir pour éviter d'endommager les surfaces. Il est recommandé d'utiliser un dessous-de-plat résistant à la chaleur ou une planche à découper.

- Placez le panier **(6)** sur une surface propre, stable et résistante à la chaleur.
- Une fois la cuisson terminée, tournez le bouton de réglage de température **(24)** sur la position **0** et débranchez la fiche **(17)** de la prise murale. Puis, débranchez la fiche magnétique **(18)** de la face arrière du panneau de commande **(22)** (fig. q).

#### ATTENTION :

- Débranchez toujours la fiche **(17)** de la prise murale avant de retirer la fiche magnétique **(18)** du panneau de commande **(22)**.
- Le cordon d'alimentation détachable sert de sécurité durant les débranchements accidentels. Ne débranchez pas cette fiche durant un fonctionnement normal. Si la fiche magnétique **(18)** est débranchée, retirez immédiatement la fiche **(17)** de la prise murale. Tournez le bouton de réglage de la température **(24)** sur la position **0**. Rebranchez la fiche magnétique **(18)** au panneau de commande **(22)** et rebranchez la fiche **(17)** à la prise murale.
- Cet appareil génère de la chaleur et de la vapeur durant son fonctionnement. Vous devez prendre les précautions nécessaires pour prévenir les risques de brûlures, d'incendies ou de blessures aux personnes ou de dommages matériels. Ne laissez pas l'appareil sans surveillance pendant son fonctionnement.

- La surface de l'appareil chauffe. Ne la touchez pas durant l'utilisation de l'appareil. Laissez l'appareil refroidir au moins 30 minutes avant de le manipuler.

## TEMPÉRATURES ET DURÉES DE CUISSON RECOMMANDÉES

---

### REMARQUE :

Les durées de friture indiquées dans le tableau ci-dessous sont approximatives et doivent être ajustées selon vos propres goûts, les différentes quantités de nourriture et les instructions du fabricant de produits alimentaires.

Aliment	Réglage de la température (°F / °C)	Temps (en minutes)
Frites congelées	375 / 190	8 - 12
Frites	375 / 190	8 - 10
Lanières de viande	375 / 190	10 - 14
Ailes de poulet	375 / 190	10 - 14
Poisson (pané)	340 / 170	3 - 5
Fruits de mer	340 / 170	3 - 5

## CHOISIR LA BONNE HUILE DE CUISSON

---

**En règle générale, choisissez des huiles avec un point de fumée élevé et évitez les huiles aromatisées.**

Appropriée : Huile de maïs pure, mélange d'huile végétale, huile de soja, huile de tournesol, huile de pépins de raisin, huile d'arachide

Ne convient pas : Huile d'olive, huile de noix, lard

## CUISSON À L'HUILE

---

L'huile de cuisson peut améliorer la saveur de l'aliment – ou gâcher son goût. Comme avec tout autre composant alimentaire, la fraîcheur l'utilisation correcte de l'huile sont la clé de la réussite de vos fritures.

La qualité de l'huile diminue avec l'utilisation à des températures élevées. Les particules de nourriture, eau et autres liquides réduiront davantage sa qualité, donc :

- Ne mélangez pas des huiles de cuisson différentes.
- Utilisez uniquement des huiles de cuisson propres et fraîches :
  - Enlevez régulièrement les particules d'aliments brûlés lors de la cuisson. Utilisez toujours des ustensiles qui peuvent être plongés dans des huiles chaudes sans endommager l'appareil ou l'ustensile et portez toujours des gants pour enlever les particules d'aliments brûlés.
  - Après chaque utilisation et avant le rangement de l'appareil, filtrez l'huile avec le système de filtration intégré (voir la section Filtrage d'huile)
  - Ne jamais réutiliser une huile qui a servi à faire frire des poissons ou d'autres aliments fortement aromatisés.
  - Certaines viandes, comme les ailes de poulet, libèrent de grandes quantités de liquide à la fois, diluant ainsi l'huile de friture. Ne réutilisez pas cette huile.

<b>N'utilisez plus une huile de friture si vous remarquez ce qui suit :</b>
Avant utilisation : l'huile est rance ou sa couleur s'est notablement assombrie.
Pendant la cuisson : l'huile mousse fortement ou de la fumée apparaît sur la surface de l'huile à température de fonctionnement normale.

## FILTRAGE DE L'HUILE

---

### REMARQUE :

- Filtrez l'huile après chaque utilisation. Stockez correctement l'huile filtrée (voir stockage de l'huile).
- Changez l'huile régulièrement en fonction de la qualité de l'huile (voir cuisson à l'huile).
- Après avoir éteint l'appareil, attendez au moins 3 heures pour que l'huile refroidisse, en fonction de la température utilisée pour la cuisson. Plus l'huile est chaude plus elle prendra de temps pour refroidir.
- Filtrer l'huile après chaque utilisation aidera à prolonger la durée d'utilisation de l'huile de cuisson.

- Vous devez changer l'huile si elle se détériore après plusieurs utilisations. Nous estimons que, dans des conditions normales d'utilisation, l'huile devrait être changée toutes les 10 utilisations.
- Assurez-vous que le réservoir d'huile **(15)** est monté, vide et à l'intérieur de l'appareil.
- Une fois l'huile refroidie à température ambiante, tournez le bouton de commande de filtration de l'huile **(14)** sur la position **FILTER OIL** (Fig. r). L'huile s'écoulera goutte à goutte à l'intérieur du bac à huile **(15)**. Le couvercle de filtre à huile **(11)** empêchera les résidus d'aliments d'être transférés dans le bac à huile **(15)**.
- Lorsque toute l'huile est filtrée :
  - Tournez le bouton de commande du filtrage de l'huile **(14)** sur la position **LOCK** si le bac reste à l'intérieur de l'appareil.
  - Tournez le bouton de commande du filtrage de l'huile **(14)** sur la position **UNLOCK** si le bac doit être retiré de l'appareil.

#### REMARQUE :

- Attendez toujours 3 à 4 heures jusqu'au refroidissement total de l'huile avant de vidanger ou filtrer l'huile.
- Soyez extrêmement prudents lorsque vous déplacez l'appareil alors que le réservoir d'huile **(9)** et le bac à huile **(15)** ne sont pas vides.
- Soyez prudents lorsque vous retirez le bac à huile **(15)** de l'appareil. Maintenez le bac à huile **(15)** horizontalement et tenez-le avec vos deux mains.

#### Vidange du bac à huile

L'huile filtrée peut être stockée dans un conteneur approprié (voir stockage de l'huile) ou réutilisée pour la friture de nouveaux aliments (voir cuisson à l'huile).

- Dévissez le bouchon **(16)** situé sur le dessus du bac à huile **(15)** (fig.s).
- Versez lentement le contenu du bac à huile **(15)** dans un récipient adapté ou dans le réservoir d'huile **(9)**, si nécessaire.

## REMARQUE :

- Assurez-vous que le bouton de commande de filtration de l'huile **(14)** est sur la position **UNLOCK** avant de verser l'huile dans le réservoir d'huile **(9)**.
- Inclinez le bac à huile **(15)** vers le haut (position verticale) progressivement pour éviter tout débordement sur les côtés du bac.
- L'huile peut être stockée dans le réservoir d'huile **(9)**, à l'intérieur de la friteuse ou dans un autre endroit frais sec (voir stockage de l'huile).
- Remplacez et serrez le bouchon **(16)** au-dessus du bac à huile **(15)**.
- Remettez le bac à huile **(15)** dans l'appareil et tournez le bouton de commande de filtrage d'huile **(14)** sur la position **LOCK** pour verrouiller le bac à huile **(15)** (fig. t).

## STOCKAGE DE L'HUILE

---

- N'emmagasinez pas l'huile de cuisson usagée dans le réfrigérateur. Choisissez un endroit frais qui n'est pas exposé à la lumière du soleil. Généralement, l'huile peut être conservée pendant une période de 3 mois, une fois la bouteille ouverte. Respectez également les instructions de stockage du fabricant de l'huile.

## TRUCS ET ASTUCES

---

- Les petites quantités d'aliments nécessitent généralement un temps de cuisson un peu plus court que les plus grandes quantités d'aliments.
- Pour réduire le temps de cuisson, décongelez les aliments avant la cuisson. Il est recommandé de ne pas décongeler certains aliments avant la cuisson, comme les poissons congelés et les frites surgelées.
- Il est recommandé d'utiliser un thermomètre à viande pour vérifier la progression de la cuisson.
- Dans le cas où des aliments s'embrasent, ne retirez pas le couvercle **(3)**, ne retirez pas le panier **(6)** ; tournez le bouton de réglage de température **(24)** sur la position **0** et débranchez l'appareil.

- Lorsque les aliments que vous cuisinez nécessitent d'être remués, il est recommandé d'utiliser une minuterie réglée à la moitié de la durée de cuisson suggérée. De cette façon une cloche sonnera et vous rappellera de secouer le panier **(6)**.
- Il est recommandé d'utiliser uniquement des ustensiles de cuisine en en nylon, en bois ou en plastique résistant à la chaleur. Les ustensiles en métal peuvent chauffer et endommager la surface antiadhésive. Retirez toujours les ustensiles de l'appareil. Ne les laissez jamais dans l'appareil durant son fonctionnement.

## NETTOYAGE ET ENTRETIEN

---

Un entretien adéquat vous assurera de nombreuses années d'utilisation de votre appareil. Nettoyez l'appareil après chaque utilisation. L'appareil ne contient aucune pièce réparable par l'utilisateur et nécessite peu d'entretien. Laissez les opérations d'entretien ou de réparations aux soins d'un personnel qualifié.

### ATTENTION :

- Tournez toujours le bouton de réglage de température **(24)** sur la position **0**, débranchez la fiche **(17)** de la prise murale, débranchez la fiche magnétique **(18)** du panneau de commande **(22)** avant chaque nettoyage. Laissez toutes les pièces de l'appareil refroidir complètement.

### REMARQUE :

- Ne plongez pas le cordon d'alimentation avec sa fiche **(17)**, la fiche magnétique **(18)** ou l'appareil dans l'eau ou dans tout autre liquide. N'utilisez pas de nettoyants abrasifs, de laine d'acier ou de tampons à récurer. Séchez soigneusement toutes les pièces après le nettoyage, avant chaque utilisation ou leur stockage. Assurez-vous que l'eau ne s'infilte jamais dans le corps de l'appareil **(13)**.
- Ne fixez jamais la fiche magnétique **(18)** à l'appareil de manière permanente.
- N'essayez pas de retirer la plaque d'étanchéité en caoutchouc de silicone **(23)**.

- Assurez-vous que le bac à huile **(15)** est correctement en place, tournez le bouton de filtrage d'huile **(14)** sur la position **FILTER OIL** pour vider le réservoir d'huile **(9)** (voir filtrage de l'huile).
- Placez le panier **(6)** sur une surface propre, stable et résistante à la chaleur.

### Danger de brûlures !

- Assurez-vous que le panier **(6)** ait complètement refroidi avant de toucher sa surface et d'essayer de retirer la poignée du panier **(7)**.
- Assurez-vous que l'huile soit complètement froide avant de vider le réservoir d'huile **(9)** dans le bac à huile **(15)**.
- Enlevez la poignée de panier **(7)** du panier **(6)**.
- Retirez le panneau de commande **(22)** du réservoir d'huile **(9)**. Nettoyer soigneusement le panneau de commande **(22)** et le thermoplongeur **(21)** avec un chiffon humide.
- Retirez le couvercle du filtre à huile **(11)** du réservoir d'huile **(9)** puis retirez le réservoir d'huile **(9)** du corps de l'appareil **(13)**.
- Ouvrez le couvercle du filtre **(29)** et retirez les deux filtres noir et blanc **(27, 28)** (fig. u).
- Nettoyez le corps de l'appareil **(13)** avec un chiffon humide.
- Lavez le couvercle **(3)**, panier **(6)**, la poignée du panier **(7)**, le réservoir d'huile **(9)** et le couvercle du filtre à huile **(11)** avec de l'eau chaude savonneuse ou au lave-vaisselle. Rincez et séchez soigneusement.
- Séchez soigneusement toutes les pièces après le nettoyage et avant de réutiliser l'appareil.

### REMARQUE :

- Si le bac à huile **(15)** a besoin d'être nettoyé, assurez-vous qu'il est vide avant d'essayer de le nettoyer (voir vidange du réservoir d'huile). Laver avec de l'eau chaude savonneuse ou au lave-vaisselle. Rincez et séchez soigneusement.
- Nettoyer les filtres **(27, 28)** tous les 3 mois ou après chaque 12 utilisations avec de l'eau chaude savonneuse. Ne pas laver au lave-vaisselle.
- Séchez toutes les pièces et les surfaces avant utilisation. Assurez-vous que toutes les pièces et les surfaces sont complètement sèches avant de brancher l'appareil à une prise murale.

Même une petite quantité d'eau peut provoquer des éclaboussures d'huile chaude.

## STOCKAGE

---

- Avant son entreposage, assurez-vous que l'appareil est complètement froid, sec et propre.
- Il est recommandé de stocker l'appareil dans un endroit sec.
- Rangez l'appareil sur une étagère stable ou dans une armoire. Pour éviter tout accident, veillez à garder l'appareil et son cordon d'alimentation hors de portée des enfants ou des animaux.

## DÉPANNAGE

---

L'appareil ne fonctionne pas	La fiche magnétique est mal branchée	Branchez la fiche magnétique à une prise électrique avant de brancher la fiche dans la prise murale
	Le panneau de commande est mal installé	Installez correctement le panneau de commande
	L'appareil n'est pas branché	Insérez la fiche dans la prise murale
	La prise murale n'est pas sous tension	Vérifiez les fusibles et le disjoncteur
	Appareil défectueux	Débranchez l'appareil de la prise murale et contactez un personnel qualifié pour vérifier et réparer l'appareil
	Surchauffe de l'huile ou de l'appareil	Débranchez l'appareil de la prise murale et laissez l'appareil ou l'huile refroidir. Appuyez sur le bouton de réinitialisation.

L'huile déborde	Réservoir d'huile trop rempli	Débranchez l'appareil de la prise murale et laissez l'appareil ou l'huile refroidir. Puis, enlevez l'excès d'huile
	Panier trop plein	Soulevez le panier par la poignée et accrochez-le au crochet de panier dans l'encoche. Enlevez l'excès d'aliments avec des ustensiles adaptés
L'appareil fonctionne, mais l'indicateur <b>POWER</b> ne s'allume pas	Voyant <b>POWER</b> endommagé	Débranchez l'appareil de la prise murale et contactez un personnel qualifié pour vérifier et réparer l'appareil
Le voyant d'alimentation <b>POWER</b> s'allume, mais l'appareil ne chauffe pas	Le temps de préchauffage est trop court	Laissez l'appareil préchauffer pendant une période plus longue
	Appareil défectueux	Débranchez l'appareil de la prise murale et contactez un personnel qualifié pour vérifier et réparer l'appareil
L'appareil chauffe, mais le bouton de réglage de température est sur la position 0	Bouton de réglage de température défectueux	Débranchez l'appareil de la prise murale et contactez un personnel qualifié pour vérifier et réparer l'appareil
Le panier ne peut être retiré du bac	La poignée du panier est mal fixée	Retirez les aliments frits à l'aide d'ustensiles adaptés et laissez l'appareil ou l'huile refroidir complètement avant de retirer le panier
L'appareil produit une odeur et émet de la fumée	L'huile a été surutilisée ou l'huile ne convient pas	Débranchez l'appareil de la prise murale et laissez l'appareil ou l'huile refroidir. Ensuite, retirez l'huile et remplacez-la par une nouvelle huile appropriée
	Appareil défectueux	Débranchez l'appareil de la prise murale et contactez un personnel qualifié pour vérifier et réparer l'appareil

Mousse sur l'huile de cuisson	Panier trop plein	Soulevez le panier par la poignée et accrochez-le au crochet de panier dans l'encoche. Enlevez l'excès d'aliments avec des ustensiles adaptés
	Excès d'humidité dans les aliments	Soulevez le panier pendant quelques secondes et replongez-le. Faites cela jusqu'à ce que vous puissiez abaisser le panier sans constater de formation excessive de mousse.
	Particules de glace résiduelles dans les aliments congelés	Soulevez le panier pendant quelques secondes et replongez-le. Faites cela jusqu'à ce que vous puissiez abaisser le panier sans constater de formation excessive de mousse.
Fuite d'huile	Mettez le bouton de commande de filtrage de l'huile sur la position FILTER OIL en retirant le bac à huile	Débranchez l'appareil de la prise murale et nettoyez-le. Insérez le bac à huile et mettez le bouton de commande de filtration de l'huile sur la position LOCK avant de réutiliser l'appareil
	Bac à huile trop plein	Débranchez l'appareil de la prise électrique. Assurez-vous que le bouton de commande de filtration de l'huile est sur la position UNLOCK et retirez le réservoir de l'appareil. Videz et nettoyez l'appareil avant de le réutiliser
	Bac à huile endommagé	Débranchez l'appareil de la prise électrique. Assurez-vous que le bouton de commande de filtration de l'huile est sur la position LOCK et contactez un personnel qualifié pour vérifier et réparer l'appareil
	Filtre à huile endommagé	Débranchez l'appareil de la prise murale et contactez un personnel qualifié pour vérifier et réparer l'appareil

Si vous avez besoin d'une aide supplémentaire, contactez notre bureau d'assistance à la clientèle au 1-888-521-TEAM.

## GARANTIE

---

Nous vous suggérons de remplir et de nous renvoyer rapidement la Carte d'Enregistrement Produit ci-jointe afin de faciliter la vérification de la date d'achat. Cependant, le renvoi de la Carte d'Enregistrement Produit n'est pas une condition indispensable à l'application de la présente garantie. Vous pouvez aussi remplir cette carte de garantie en ligne à l'adresse suivante : [www.KALORIK.com](http://www.KALORIK.com).

À compter de la date d'achat, ce produit KALORIK est garanti un an, sur le territoire des États-Unis et au Canada, contre les défauts matériels et de fabrication. Cette garantie n'est pas transférable. Conservez la preuve d'achat originelle. Une preuve d'achat est exigée pour obtenir l'application de la garantie.

Durant cette période, le produit KALORIK qui, après inspection par KALORIK, s'avère défectueux, sera réparé ou remplacé, au choix de KALORIK, sans frais pour le consommateur. Si un produit de remplacement est envoyé, c'est la garantie restante du produit original qui s'appliquera.

La présente garantie ne s'applique pas aux défauts dus à une mauvaise utilisation de la part de l'acheteur ou de l'utilisateur, à une négligence, au non-respect des consignes du manuel d'utilisation KALORIK, à une utilisation sur un circuit électrique au voltage différent de celui renseigné sur le produit, à une usure normale, à des modifications ou réparations non autorisées par KALORIK, ou par un usage à des fins commerciales. Il n'existe pas de garantie pour les parties en verre, récipients en verre, filtres, paniers et lames. Il n'existe également pas de garantie pour les pièces perdues par l'utilisateur.

Toute garantie de valeur commerciale ou d'adaptabilité à ce produit est également limitée à la garantie d'un an.

Certains états ne limitent pas la longueur de la garantie tacite ou n'autorisent pas l'exclusion de dommages-intérêts accessoires ou indirects, les restrictions ci-dessus peuvent donc ne pas s'appliquer à vous. Cette garantie vous donne des droits légaux particuliers, et certains droits peuvent varier d'un état à l'autre.

Si l'appareil devait présenter un défaut durant la période de garantie et plus de 30 jours après l'achat, ne ramenez pas l'appareil au magasin : souvent, notre Service Clientèle peut aider à résoudre le problème sans que le produit ne doive être réparé. Si une réparation est nécessaire, un représentant peut confirmer si le produit est sous garantie et vous rediriger vers notre centre de réparation.

Le cas échéant, envoyez le produit en colis dûment affranchi, ainsi qu'**une preuve d'achat**, en mentionnant **le numéro d'autorisation de retour**, indiqué par notre service clientèle, au service après-vente KALORIK agréé (visitez notre site internet **www.KALORIK.com** ou appelez notre département Service Clientèle pour obtenir l'adresse du service après-vente KALORIK agréé).

Si vous envoyez le produit, veuillez y joindre une lettre expliquant la nature du défaut.

Si vous avez des questions complémentaires, veuillez appeler notre département Service Clientèle (voyez plus bas pour les coordonnées complètes), du Lundi au Jeudi de 9h à 17h (EST) et le Vendredi de 9h à 16h (EST). Veuillez noter que les heures sont sujettes à modification.

Si vous souhaitez nous écrire, adressez votre courrier à :

**KALORIK Customer Service Department**

Team International Group of America Inc.

16175 NW 49<sup>th</sup> Ave.

Miami Gardens, FL 33014 USA

Ou appelez (Gratuitement des Etats-Unis): +1 888-521-TEAM ou +1 888-KALORIK.

Seules les lettres seront acceptées à l'adresse ci-dessus. Les envois et colis n'ayant pas de numéro d'autorisation de retour seront refusés.

**For questions please contact:  
Pour toute question, veuillez contacter:**

**KALORIK Customer Service / Service Après-Vente**

Team International Group of America Inc.  
16175 NW 49th Avenue  
Miami Gardens, FL 33014 USA

Toll Free / Numéro Gratuit:  
+1 888-521-TEAM / +1 888-KALORIK

[www.KALORIK.com](http://www.KALORIK.com)



**Ref FT 43721**

*User manual content and recipes courtesy of Team International Group – Do not reproduce without consent of the authors - All rights reserved.*

*Contenu du guide d'utilisation et recettes fournis par Team International Group - Ne pas reproduire sans le consentement des auteurs - Tous droits réservés.*

**KALORIK®**  
Since 1930