

SENCOR®

SVC 0740BL

SVC 0741YL



EN ■ 2-in-1 Cordless vacuum cleaner

Translation of the original manual

READ CAREFULLY AND STORE FOR FUTURE USE.

- This vacuum cleaner may be used by children 8 years of age and older and by persons with physical or mental impairments or by inexperienced persons, if they are properly supervised or have been informed about how to use this vacuum cleaner in a safe manner and understand the potential dangers.
- Children must not play with the appliance. Cleaning and maintenance performed by the user must not be performed by unsupervised children.
- In the event that the power adapter is damaged, it must be replaced with an original type. For a replacement power adapter, please contact an authorised service centre. It is forbidden to use the appliance if it has a damaged power adapter.
- Only use the vacuum cleaner with the original power adapter and accessories that came with it.
- Keep the vacuum cleaner and its accessories out of reach of children that are younger than 8 years of age.
- Disconnect the power adapter from the power socket before cleaning or performing maintenance on the appliance.
- This vacuum cleaner is designed for use in households, offices and similar types of areas. Do not use in industrial surroundings.
- Do not expose the vacuum cleaner to direct sunlight and do not place it near an open fire or appliances that are a source of heat.
- Before connecting the power adapter to a power socket, check that the technical details on the vacuum cleaner's rating label match the electrical voltage in the socket.
- Make sure the adapter power cord is not touching a hot surface or sharp objects. Position the adapter power cord so that it will not be tripped over.
- Never submerge the vacuum cleaner or the power adapter in water or any other liquid and do not wash it under running water.
- Prior to turning on the vacuum cleaner, check that the dust container is correctly installed and the filters are correctly inserted.
- When the vacuum cleaner is running, ensure that the air outlets and the suction opening are not blocked.

- Do not use the vacuum cleaner to vacuum the following items:
 - smouldering cigarettes, burning items, matches or embers;
 - water and other liquids;
 - flammable or volatile materials;
 - sharp items, e.g. broken glass, needles, pins, etc.;
 - flour, wall plaster, cement and other building materials;
 - larger pieces of paper or plastic bags, which can easily block the suction hole.
- Vacuuming of some types of floors or floor surfaces can create an electrostatic discharge, which presents no danger to the user.
- Always turn off the vacuum cleaner when you have finished using it, before cleaning or seating it in the charging base.
- Disconnect the power adapter from the power socket before cleaning it and after it has finished charging.
- Disconnect the power adapter from the power socket by pulling on the plug, never pulling on the power cord. Otherwise, this could damage the power adapter or the socket.
- Do not use the vacuum cleaner if it is not working correctly, if it has been damaged or has been submerged in water. Do not repair the vacuum cleaner yourself or make any adjustments to it. Have all repairs performed at an authorised service centre. By tampering with the appliance, you risk voiding your legal rights arising from unsatisfactory performance or quality warranty.



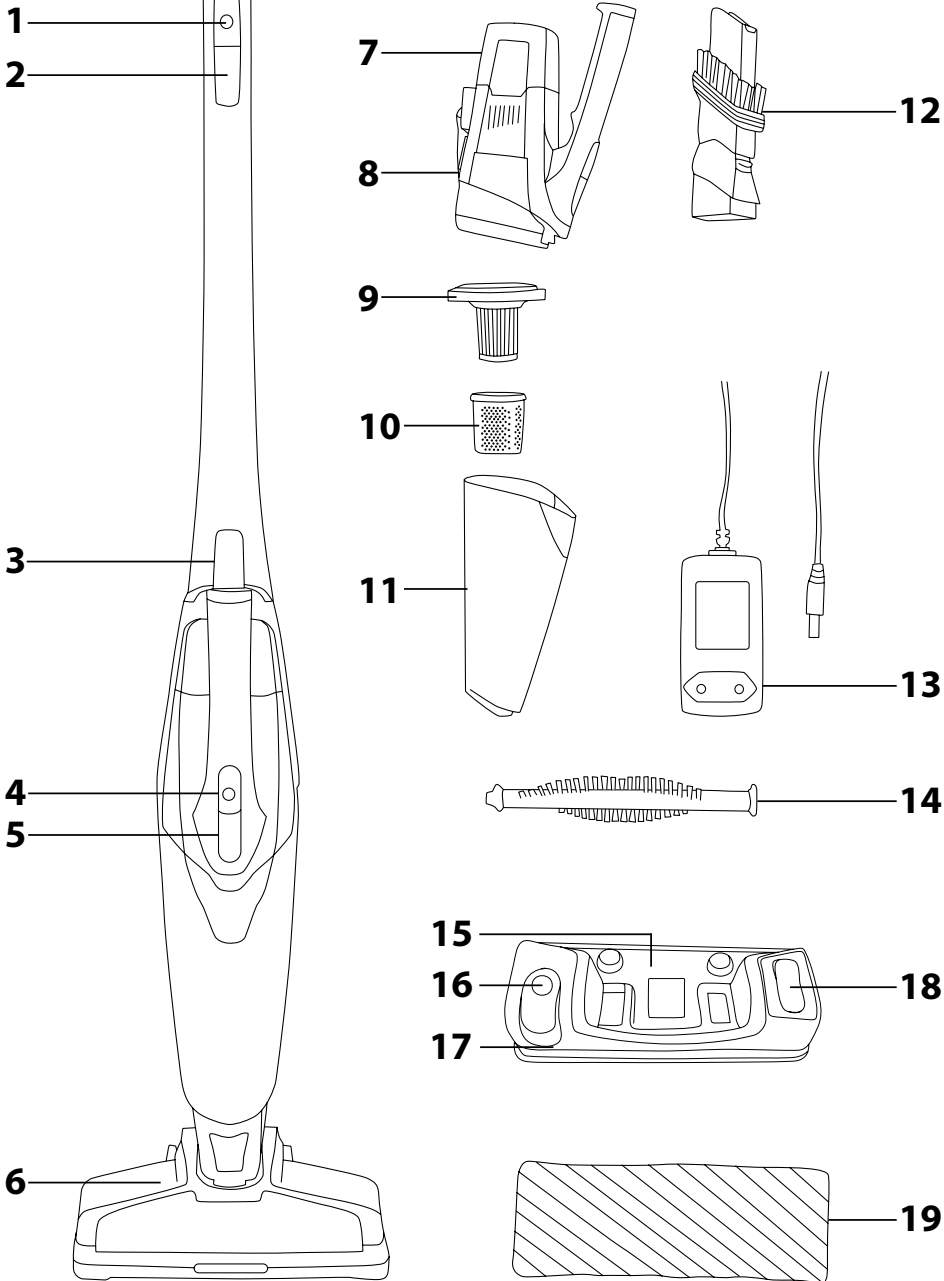
Carefully read this user's manual and acquaint yourself with all the warnings and instructions.



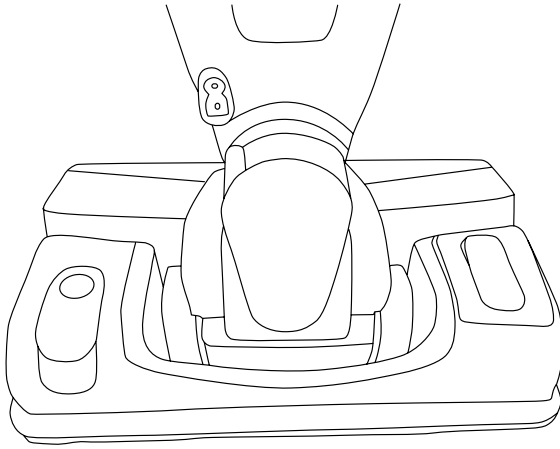
Warning:

Do not disassemble the battery in any way, do not deform it, subject it to impacts, short circuit it or expose it to temperatures higher than 60 °C, do not throw it into a fire. There is a danger of a fire starting and burns. Thoroughly read the all the instructions before using the product.

A



B



- Prior to using this appliance, please read the user's manual thoroughly, even in cases, when one has already familiarised themselves with previous use of similar types of appliances. Only use the appliance in the manner described in this user's manual. Keep this user's manual in a safe place where it can be easily retrieved for future use.
- We recommend saving the original cardboard box, packaging material, purchase receipt and responsibility statement of the vendor or warranty card for at least the duration of the legal liability for unsatisfactory performance or quality. In the event of transportation, we recommend that you pack the appliance in the original box from the manufacturer.

DESCRIPTION OF THE VACUUM CLEANER AND ITS ACCESSORIES

- | | |
|---|--|
| A1 On/Off button of the upright vacuum cleaner | A9 Washable internal HEPA type filter. |
| A2 Suction power adjustment button of the upright vacuum cleaner | A10 Washable external filter |
| A3 Button for releasing the hand vacuum cleaner | A11 Dust container |
| A4 On/Off button of the hand vacuum cleaner | A12 Multi-purpose crevice nozzle with an extensible brush |
| A5 Dust container release button | A13 Power adapter |
| A6 Floor nozzle | A14 Floor nozzle rotary brush |
| A7 Rechargeable battery | A15 Wiping attachment |
| A8 Handle of the hand vacuum cleaner | A16 Water tank lid |
| | A17 Water / cleaning solution tank |
| | A18 Water control button (CLOSE/ OPEN) |
| | A19 Removable Velcro zip sleeve |

BEFORE FIRST USE

- Before first use, take the appliance and its accessories out of the packaging material and remove all promotional labels and stickers. Check that neither the appliance nor any of its parts is damaged.

ASSEMBLY

- For reasons of safety during transport, the upright vacuum cleaner is supplied disassembled.
- Attach the handle of the upright vacuum cleaner to the body of the vacuum cleaner so that the handle is aligned with the hole in the body of the vacuum cleaner. Insert the supplied screw into the hole and screw it in properly. Check that the handle is correctly attached and not moving in any way.
- Into the empty area in the body of the vacuum cleaner, insert the assembled hand vacuum cleaner.

CHARGING THE VACUUM CLEANER

- Insert the connector of the power adapter **A13** into the socket located at the rear part of the floor nozzle **A6**, and insert the plug of the power adapter **A13** into a power socket.



Note:

Prior to starting recharging, it is important for the vacuum cleaner to be turned off and standing in the vertical parking position. Do not turn on the vacuum cleaner when it is being recharged and the power adapter **A13** is connected to the power socket.

- When the adapter **A13** is connected to a power socket, the vacuum cleaner will switch to the charging mode. The indicator light on the battery **A7** will be lit and the LED diodes on the battery **A7** will gradually light up. A full charge requires approximately 5 hours. The actual charging time depends on the power level of the battery.
- Once the charging process is complete, all the diodes will be lit. Disconnect the adapter **A13** from the power socket and the connector of the adapter **A13** from the vacuum cleaner.
- The LED diodes signal the battery power level. The individual LED diodes will turn off as the battery gradually discharges. When the battery is almost flat, the bottom LED diode will start flashing. When it turns off completely, the battery is completely flat.



Note:

This vacuum cleaner contains a Li-ion battery. To ensure the longest possible lifetime of the battery, we recommend:

- Do not unnecessarily leave the battery fully charged or completely flat for too long.
- Do not keep the battery permanently fully charged. Its lifetime will be extended by keeping it at approximately half charge.
- Do not fully discharge the battery.

PARKING POSITION OF THE VACUUM CLEANER

- Put the upright vacuum cleaner into the parking position by placing the tip of your foot on top of the floor nozzle **A6** and with a simple forward movement of the handle secure the vacuum cleaner in the vertical position. The latch located at the front on the elbow of the floor nozzle **A6** will slide into the groove on the top cover of the floor nozzle **A6**.
- To release the upright vacuum cleaner from the parking position, place the tip of your foot on top of the floor nozzle **A6** and tilt the handle backwards. The latch located at the front on the elbow of the floor nozzle **A6** will slide out of the groove on the top cover of the floor nozzle **A6**.

USING THE VACUUM CLEANER

- Before cleaning it, always make sure that the vacuum cleaner is turned off and disconnected from the power socket.

Upright vacuum cleaner

- You may use the upright vacuum cleaner for vacuuming various types of floor coverings such as for example hard floor coverings, carpets, etc.
- Hold the vacuum cleaner by the handle and release it from the parking position. After releasing it from the parking position, the handle may be moved in the vertical direction.
- Start the vacuum cleaner by pressing button **A1**. The vacuum cleaner will start at full suction power. If you need to reduce the suction power, press button **A2**. The suction power of the vacuum cleaner will be reduced. Press button **A2** again to again increase the suction power.
- When you have finished using it, turn off the vacuum cleaner by pressing button **A1**. Clean it according to the instructions contained in chapter "**Cleaning and maintenance**", and allow it to charge according to the instructions contained in chapter "**Charging the vacuum cleaner**".
- In the event that the rotary brush is clogged while vacuuming, e.g. by a larger amount of vacuumed hair or fur, the automatic safety mechanism is activated, which will stop the rotary brush to prevent it from becoming damaged. Turn off the vacuum cleaner using button **A1** and remove the wound on hair or fur from the rotary brush – more in chapter "**Cleaning and maintenance**". Prior to turning on the vacuum cleaner again, check that the rotary brush **A14**, the dust container **A11** and the filters **A9** and **A10** are clean.

Hand vacuum cleaner

- The hand vacuum cleaner is suitable for vacuuming locally soiled floor coverings, furniture, etc.
- In order to remove the hand vacuum cleaner from the body of the upright vacuum cleaner, press button **A3** and the top part of the hand vacuum cleaner will be released. Hold the hand vacuum cleaner by the handle **A8** and carefully remove it from the body of the upright vacuum cleaner.
- Turn on the hand vacuum cleaner by pressing button **A4**.
- For more comfortable vacuum cleaning, e.g. of furniture, put the multi-purpose crevice nozzle **A12** on to the hand vacuum cleaner. Use the slider on the nozzle to control the extension and retraction of the brush.
- When you have finished using it, turn off the vacuum cleaner using button **A4**. Clean it according to the instructions contained in chapter "**Cleaning and maintenance**", and insert it back into the body of the upright vacuum cleaner. Allow it to recharge according to the instructions in chapter "**Charging the vacuum cleaner**".

Using the wiping attachment

- Attach the sleeve **A19** to the bottom surface of the attachment **A15**.
- Place the wiping attachment **A15** with the attached sleeve **A19** on the floor. Remove the lid **A16** and pour water or a cleaning agent solution into the tank **A17**. Put the lid **A16** back on.
- Place the vacuum cleaner on to the wiping attachment **A15** so that the tabs on the attachment **A15** are aligned with the holes on the underside of the floor nozzle **A6**. The travel wheels should fit into the body of the attachment **A15** – see fig B. Gently push on the vacuum

cleaner until you hear a click. This indicates the correct connection of the attachment **A15** to the floor nozzle **A6**.

- In order to vacuum and wipe at the same time, set button **A18** to the position "OPEN". Some air will start flowing into the water tank, which will gradually push water out through the wicks in the water tank **A17** into the sleeve **A19**. Turn on the vacuum cleaner, and while vacuuming you will also wipe the floor at the same time.



Note:

Regularly check the water/solution level in the water tank **A17**, and fill it up as necessary.

- When no longer using the wiping attachment **A15**, turn off the vacuum cleaner and set button **A18** to the position CLOSE. This will prevent air from entering the water tank and the water will stop flowing out. Pull the vacuum cleaner out in the upward direction.

CLEANING AND MAINTENANCE

- Before cleaning, make sure that the vacuum cleaner is turned off and the power adapter is disconnected from the power socket. In order to extend the lifetime of the vacuum cleaner, we recommend you perform cleaning and maintenance after every use.



Warning:

To prevent the risk of injury by electrical shock, do not submerge the appliance, power cord or power plug in water or any another liquid.

Dust container and filters

- Press button **A5** to release the dust container **A11** from the body of the hand vacuum cleaner. Move the dust container **A11** over a waste bin. Carefully pull filters **A9** and **A10** out of the dust container **A11**.
- Tip out all the contents of the dust container **A11** and rinse it out as necessary under a current of cold running water. Allow it to dry and check that the dust container **A11** is completely dry before reassembly.
- Pull the inner filter **A9** out of the outer filter **A10**. Remove dust and soils from the outer filter **A10** rinse it out as necessary under a current of cold running water. Allow it to dry and check that the outer filter **A10** is completely dry before reassembly.
- Carefully remove any soils from the inner filter **A9**. If the inner filter **A9** is excessively soiled, rinse it under running water. Allow it to dry naturally.
- Assemble the dust container **A11** and filters **A9** and **A10** in reverse sequence.



Warning:

Before assembling the vacuum cleaner, make sure that all its parts are completely dry. Prior to starting it, make sure that all the filters are properly installed in their place. Otherwise, this could damage the vacuum cleaner.

When filters are soiled, their effectiveness is reduced, so do not neglect their cleaning.

- It is recommended to replace the inner filter with a new one after 6 months of use. Spare filters are available at brick and mortar, and online stores.

Floor nozzle

- If the rotary brush **A14** is soiled, turn the floor nozzle **A6** so that the rotary brush **A14** is pointing upwards. On the left side of the nozzle **A6** there is a latch that secures the brush cover in place. Release the latch, tilt open the cover and take out the brush **A14**.
- Remove all dirt and dust from the rotary brush **A14** and the internal space of the floor nozzle **A6**. After cleaning, return the rotary brush **A14** back in its place. Tilt the cover back and secure in place.
- For cleaning the surface of the floor nozzle **A6**, use a dry or a lightly dampened cloth. Then wipe everything so that it is thoroughly dry.

Outer surface of the vacuum cleaner

- Clean the outer surface of the vacuum cleaner using a dry or a lightly dampened cloth. Then wipe everything so that it is thoroughly dry.



Warning:

Do not clean any part of the vacuum cleaner using steel wool, abrasive cleaning products, petrol, solvents or any other similar products.

Cleaning the wiping attachment

- Always empty out the tank **A17** after every use of the attachment **A15**. Wipe the attachment **A15** with a soft sponge lightly dampened in warm water. Wipe dry using a clean wiping cloth.
- Remove the sleeve **A19** and wash it by hand in cold water. Allow it to dry naturally.



Warning:


Under no circumstances submerge or wash the attachment **A15** in water or any other liquid.

Storage


- When not using the vacuum cleaner for an extended period of time, clean it according to the instructions provided above.
- Before storing it, check that the vacuum cleaner is perfectly clean and dry.
- Store the vacuum cleaner in a dry, clean and well-ventilated location not exposed to extreme temperatures and out of children's reach.

TECHNICAL SPECIFICATIONS

Power adapter

Input..... 100 – 240 V ~, 50/60 Hz, 1.0 A
Output 47 V , 0.5 mA
Electrical shock protection class II

Vacuum cleaner

Power input 160 W
Electric rotary brush 5 W
Li-Ion battery..... 40.7 V , Li-Ion / 2200 mAh
Time required for charging to full capacity approximately 5 hours
Operating time when fully charged (high / low power) 30 min / 85 min
Noise level 75 dB(A)
Dust container capacity 0.5l

The declared noise emission level of the appliance is 75 dB(A), which represents a level A of acoustic power with respect to a reference acoustic power of 1 pW.



Safety class for electrical shock protection:

Class II – Electrical shock protection is provided by double or heavy-duty insulation.



The product is intended for household use only. The product is not intended for outdoor use.



Thoroughly read all the instructions before using the product.



Product with protection class III: product is built for safety extra-low voltage. Electrical shock protection is provided by safety extra-low voltage.

We reserve the right to change text and technical specifications.

INSTRUCTIONS AND INFORMATION REGARDING THE DISPOSAL OF USED PACKAGING MATERIALS

Dispose of used packaging material at a site designated for waste in your municipality.

DISPOSAL OF USED ELECTRICAL AND ELECTRONIC EQUIPMENT



This symbol on products or original documents means that used electric or electronic products must not be added to ordinary municipal waste. For proper disposal, renewal and recycling hand over these appliances to determined collection points. Alternatively, in some European Union states or other European countries you may return your appliances to the local retailer when buying an equivalent new appliance.

Correct disposal of this product helps save valuable natural resources and prevents potential negative effects on the environment and human health, which could result from improper waste disposal. Ask your local authorities or collection facility for more details.

In accordance with national regulations penalties may be imposed for the incorrect disposal of this type of waste.

For business entities in European Union states

If you want to dispose of electric or electronic appliances, ask your retailer or supplier for the necessary information.

Disposal in other countries outside the European Union.

This symbol is valid in the European Union. If you wish to dispose of this product, request the necessary information about the correct disposal method from the local council or from your retailer.



This product meets all the basic requirements of EU directives related to it.

DISPOSAL OF BATTERIES



Prior to disposing of the product or handing it over at a specialised collection facility, it is necessary to ensure that the built-in battery is removed. Before removing the battery, it is necessary to start the vacuum cleaner and wait until it is completely flat. Battery removal will be performed at the authorised service centre.

The battery contains environmentally damaging substances and therefore does not belong in standard household waste. Their correct disposal will be performed by the respective collection facility.