

# Karran®

---

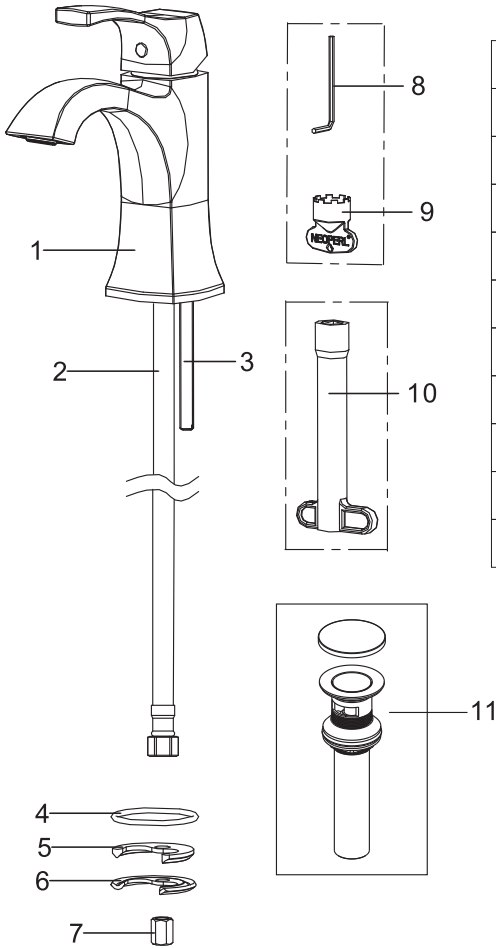
## INSTALLATION GUIDE



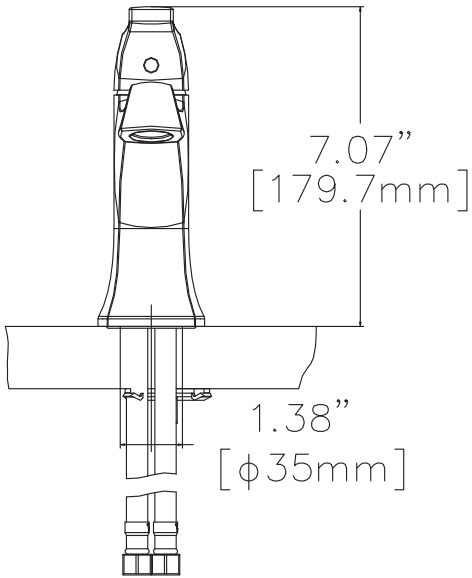
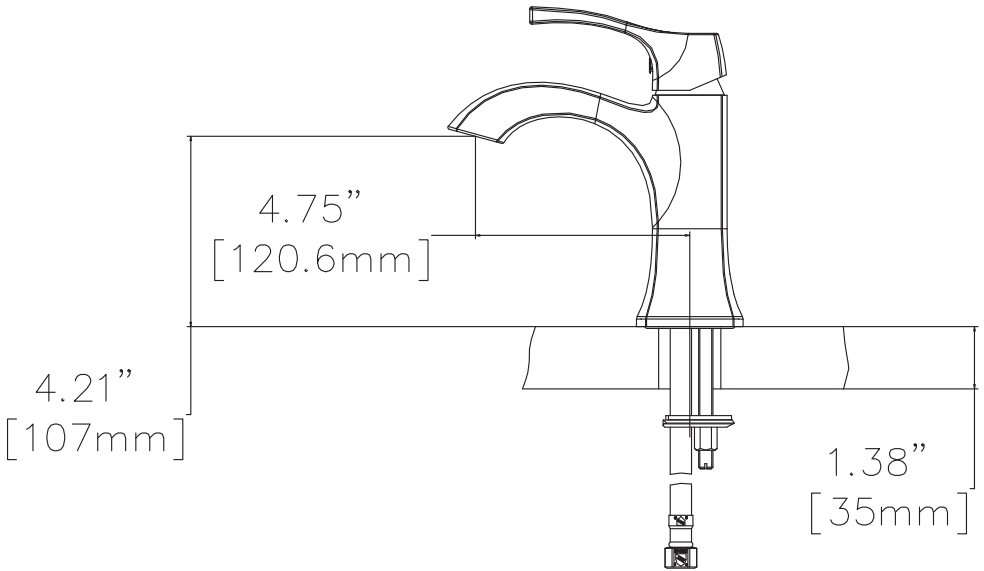
## Randburg

**Models:**   KBF520C           KBF520SS  
              KBF520ORB       KBF520MB



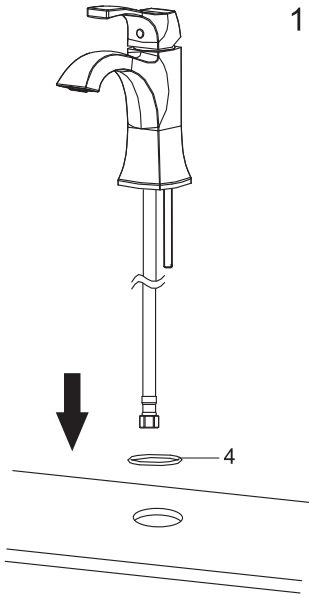


1. Faucet Body
2. Supply Lines
3. Screw
4. O-ring
5. Rubber Washer
6. Clamp
7. Nut
8. Allen Key
9. Aerator Wrench
10. Nut Socket Wrench
11. Pop-up Drain



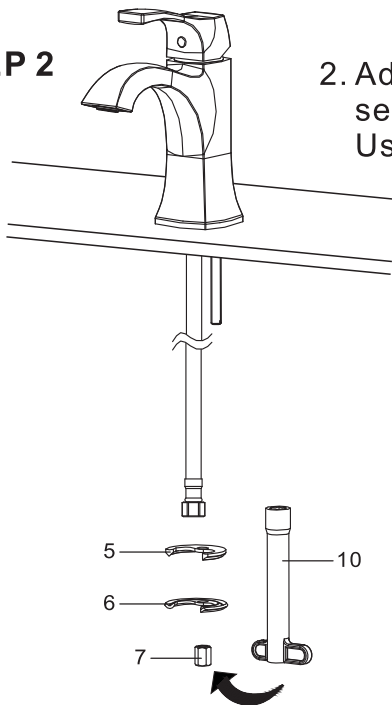
# INSTALLATION GUIDE

## STEP 1



1. Position the faucet, o-ring (#4) on the installation surface.

## STEP 2

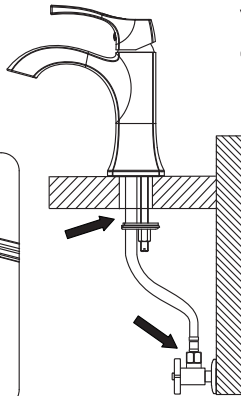
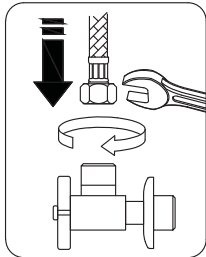


2. Adjust the position of the faucet and secure it with the fixing kit (#5, #6, #7). Use wrench to securely tighten nut.

# INSTALLATION GUIDE

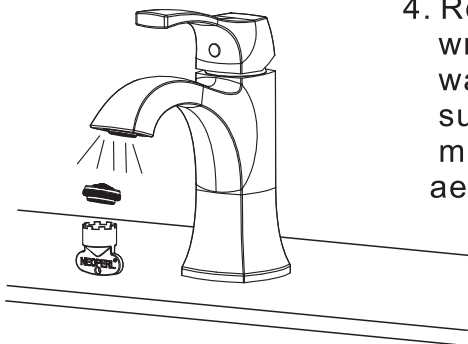
## STEP 3

3. Connect the water lines to the supply valves tightly. Turn on the valves and check all connections at arrows for leaks. Re-tighten if necessary.



## STEP 4

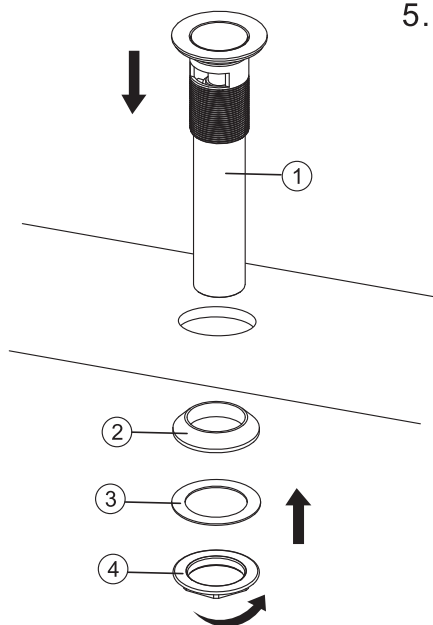
4. Remove the aerator using the aerator wrench. Turn the faucet handle all the way on, turn on hot and cold water supply and flush water lines for one minute. Reinstall aerator using the aerator wrench.



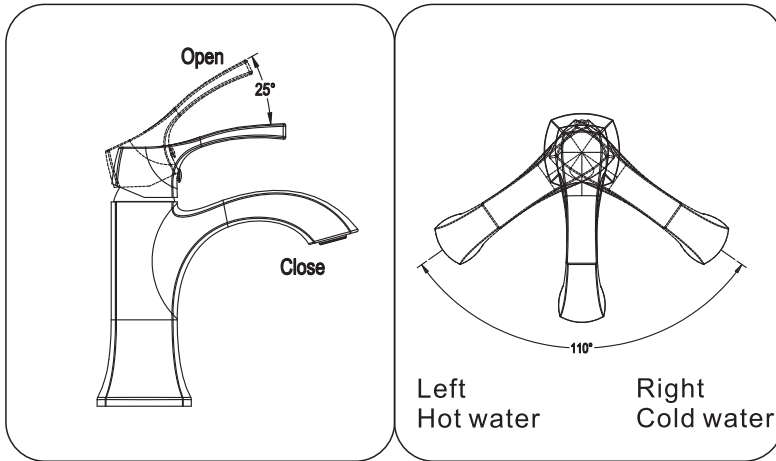
# INSTALLATION GUIDE

## STEP 5

5. From the top of the drain hole, place the drain ① through the installation hole. From under the drain hole, install the thick washer ②, washer ③ and nut ④ by hand twisting on to the tail pipe of the drain. Then, install the tail pipe to the wall plumbing.

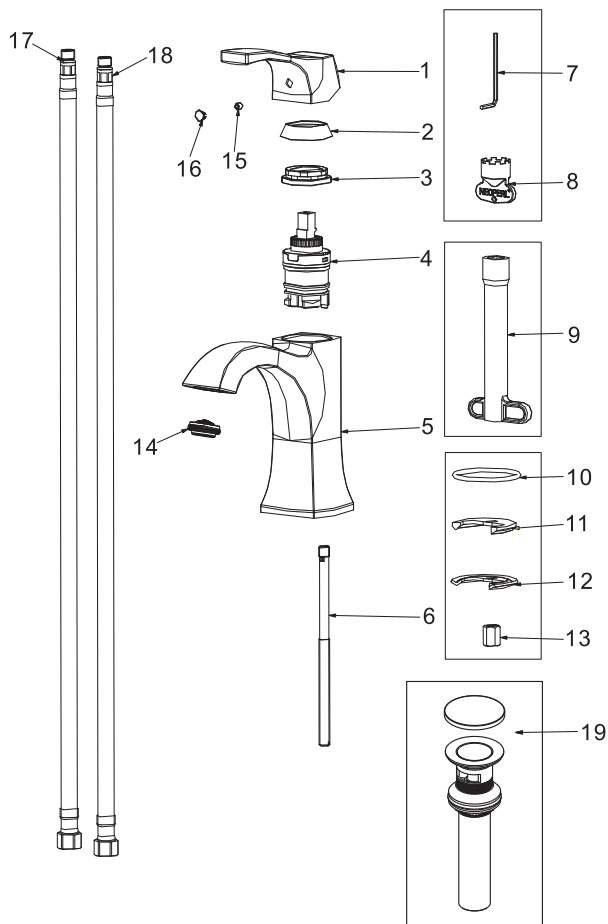


## How to operate the handle:



1. Open the handle lever to turn water on. Push to turn off.
2. Turn the handle lever to the left to increase hot water flow with higher water temperature. Lower the water temperature by operating reversely.

# REPLACEMENT PARTS



No.	Description	Finish/Color	Item No.
1	Handle	C,ORB,SS,MB	80P35WBH2
2	Trim Cap		7ZG16363
3	Lock Nut		8YG16045
4	Cartridge		J10351MZ05
5	Body	C,ORB,SS,MB	50T16412DQ
6	Screw		8BM8X150B2
7	Allen Key		8BS25
8	Aerator wrench		80P00013
9	Nut Socket Wrench		81T16000
10	O-ring		8J51X3
11	Rubber Washer		81N11071K
12	Clamp		80N11071K
13	Nut		8NM8X15
14	Aerator		80M24123NP17
15	Screw		8EM5X5
16	Index		80N81050
17	Supply Line		G21603HM02
18	Supply Line		G21603HM03
19	Pop-up Drain		C21026

\*Denotes faucet component color options:

C - Chrome

ORB - Oil-Rubbed Bronze

SS - Stainless Steel

MB - Matte Black