

Please read and save these instructions. Read carefully before attempting to assemble, install, operate or maintain the product described. Protect yourself and others by observing all safety information. Failure to comply with instructions could result in personal injury and/or property damage! Retain instructions for future reference.

Dayton® Portable Oil-Fired Heater

Description

Dayton Model 3VE53D heater is a 400,000 BTU/Hr heater. This heater uses 1-K Kerosene for combustion, and electricity to run the fan. It is primarily intended for temporary heating of well ventilated buildings under construction, alteration, or repair. This heater may be used in agricultural, industrial and commercial environments.

Specifications

ELECTRICAL SPECIFICATIONS

Model	Electrical Input	Amperage	Fuse	Spark Plug Gap
3VE53D	120V, 60 Hz	3.0	250V/8 amp	0.138" (3.5mm)



Figure 1 – Model 3VE53D

GENERAL SPECIFICATIONS

Model	Type of Fuel	Input Rating	Pump Pressure	Fuel Tank Capacity	Fuel Consumption	Unit Size L x W x H	Net Weight Lbs. (kg)
3VE53D	1-K Kerosene	400,000 BTU/Hr	125 PSI	24.0 Gallons	3.0 Gal/Hr	53" x 30" x 36"	150 (68kg)

Table of Contents

	Page
Description	1
Specifications	1
Introduction	1
Unpacking	1
General Safety Information	1-3
Product Features	2
Assembly	4-5
Operation	5-8
Kerosene (1-K or	
Number 1 Fuel Oil)	5
Overview of Heater Design	6
Fueling Your Heater	6
Long-Term Storage	7-8
Maintenance	8-11
Wiring Diagram	11
Repair Parts Illustration	12
Repair Parts List	13
Troubleshooting Chart	14-15
Warranty Information	16

Introduction

Please read this USER'S MANUAL carefully. It will show you how to assemble, maintain and operate this heater safely and efficiently to obtain the full benefits of its many features.

Consumer: retain these instructions for future reference.

Unpacking

1. Remove all packing items applied to heater for shipment.
2. Remove all items from carton.
3. Check all items for shipping damage. If heater is damaged, promptly inform dealer where you purchased heater.

General Safety Information

▲ DANGER Indicates an imminently hazardous situation which, if not avoided, WILL result in death or serious injury.

▲ WARNING Indicates a potentially hazardous situation which, if not avoided, COULD result in death or serious injury.

▲ CAUTION Indicates a potentially hazardous situation which, if not avoided, MAY result in minor or moderate injury.

▲ CAUTION Before using this heater, please read this USER'S MANUAL very carefully. This USER'S MANUAL has been designed to instruct you as to the proper manner in which to assemble, maintain, store, and most importantly, how to operate the heater in a safe and efficient manner.

▲ CAUTION Never leave the heater unattended while burning!



Dayton® Portable Oil-Fired Heater

General Safety Information (Continued)

⚠ WARNING *Never leave the heater unattended while burning!*

⚠ DANGER *Improper use of this heater can result in serious injury or death from burns, fire, explosion, electrical shock, and/or carbon monoxide poisoning.*

For optimal performance of this heater, it is strongly suggested that 1-K kerosene be used. 1-K kerosene has been refined to virtually eliminate contaminants, such as sulfur, which can cause

a rotten egg odor during the operation of the heater. However, #1 or #2 fuel oil (diesel fuel) may also be used if 1-K kerosene is not available. Be advised that these fuels do not burn as clean as 1-K kerosene, and care should be taken to provide more fresh air ventilation to accommodate any added contaminants that may be added to the heated space. Use of #1 or #2 fuel oil will require increased maintenance of unit.

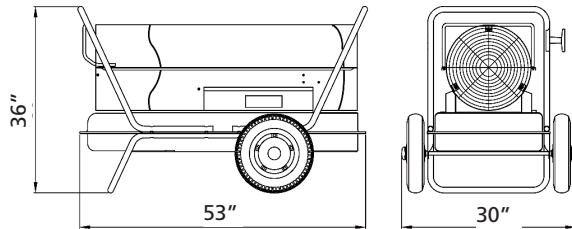
⚠ CAUTION *Risk of indoor air pollution!*

- Use this heater only in well ventilated

areas! Provide at least a three square foot (2,300 sq cm) opening of outside air for every 100,000 BTU/hr of heater rating.

- People with breathing problems should consult a physician before using the heater.

Dimensions



	Dimension
H	36"
L	53"
W	30"

Figure 2 – Heater Dimensions

Product Features

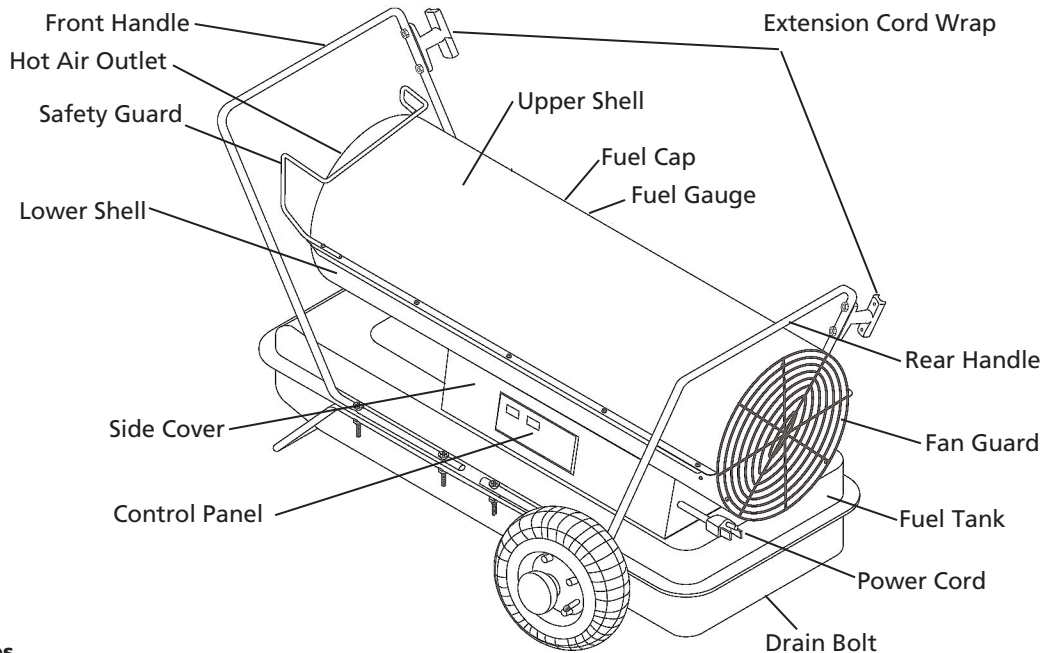


Figure 3 – 3VE53D Features



Model 3VE53D

General Safety Information (Continued)

- Carbon Monoxide Poisoning: Early signs of carbon monoxide poisoning resemble flu-like symptoms such as headaches, dizziness, and/or nausea. If you have these symptoms, your heater may not be working properly.
- Get fresh air at once! Have the heater serviced. Some people are more affected by carbon monoxide than others. These include pregnant women, those with heart or lung problems, anemia, or those under the influence of alcohol, or at high altitudes.
- Never use this heater in living or sleeping areas.

▲ WARNING *Risk of Burns/Fire/Explosion!*

- Use 1-K kerosene in this heater. #1 fuel oil is a suitable substitute.
- NEVER use fuels such as gasoline, benzene, paint thinners, or other oil compounds in this heater (RISK OF FIRE OR EXPLOSION).
- NEVER use this heater where flammable vapors may be present.
- NEVER refill the heater's fuel tank while heater is operating or still hot. This heater is EXTREMELY HOT while in operation.
- Keep all combustible materials away from this heater.

Minimum Clearances

Outlet 8 feet (250 cm)
Sides, Top and Rear 4 feet (125 cm)

- NEVER block air inlet (rear) or air outlet (front) of heater.

- NEVER use duct work in front or at rear of heater.
- NEVER move or handle heater while still hot.
- NEVER transport heater with fuel in its tank.

This heater is equipped with a thermostat and may start at any time.

- ALWAYS locate heater on a stable and level surface.
- ALWAYS keep children and animals away from heater.
- Bulk fuel storage should be a minimum of 25 ft. from heaters, torches, portable generators, or other sources of ignition.

All fuel storage should be in accordance with federal, state, or local authorities having jurisdiction.

▲ CAUTION *Risk of Electric Shock!*

- Use only the electrical power (voltage and frequency) specified on the model plate of the heater. Use only a three-prong, grounded outlet and extension cord.
- ALWAYS install the heater so that it is not directly exposed to water spray, rain, dripping water, or wind.
- ALWAYS unplug the heater when not in use.

CALIFORNIA RESIDENTS:

This heater produces carbon monoxide, which is listed by the State of California as a reproductive toxin under Proposition 65.

MASSACHUSETTS RESIDENTS:

Massachusetts state law prohibits the use of this heater in any building which is used in whole or in part for human habitation. Use of this heating device in Massachusetts requires local fire dept. permit (M.E.L.C. 148, Section 10A).

CANADIAN RESIDENTS:

Use of this heater shall be in accordance with authorities having jurisdiction and CSA Standard B139.

NEW YORK CITY RESIDENTS:

For use only at construction sites in accordance with applicable NYC codes. For approval numbers contact the manufacturer.



Dayton® Portable Oil-Fired Heater

Assembly

Model	3VE53D
Wheel Support Frame	Yes
Wheels and Axle	Yes
Wheel Caps	Yes
Front Handle	Yes
Rear Handle	Yes
Cord Wraps	Yes
Screws, Nuts and Washers	Yes
Cotter Pins and Bushings	Yes

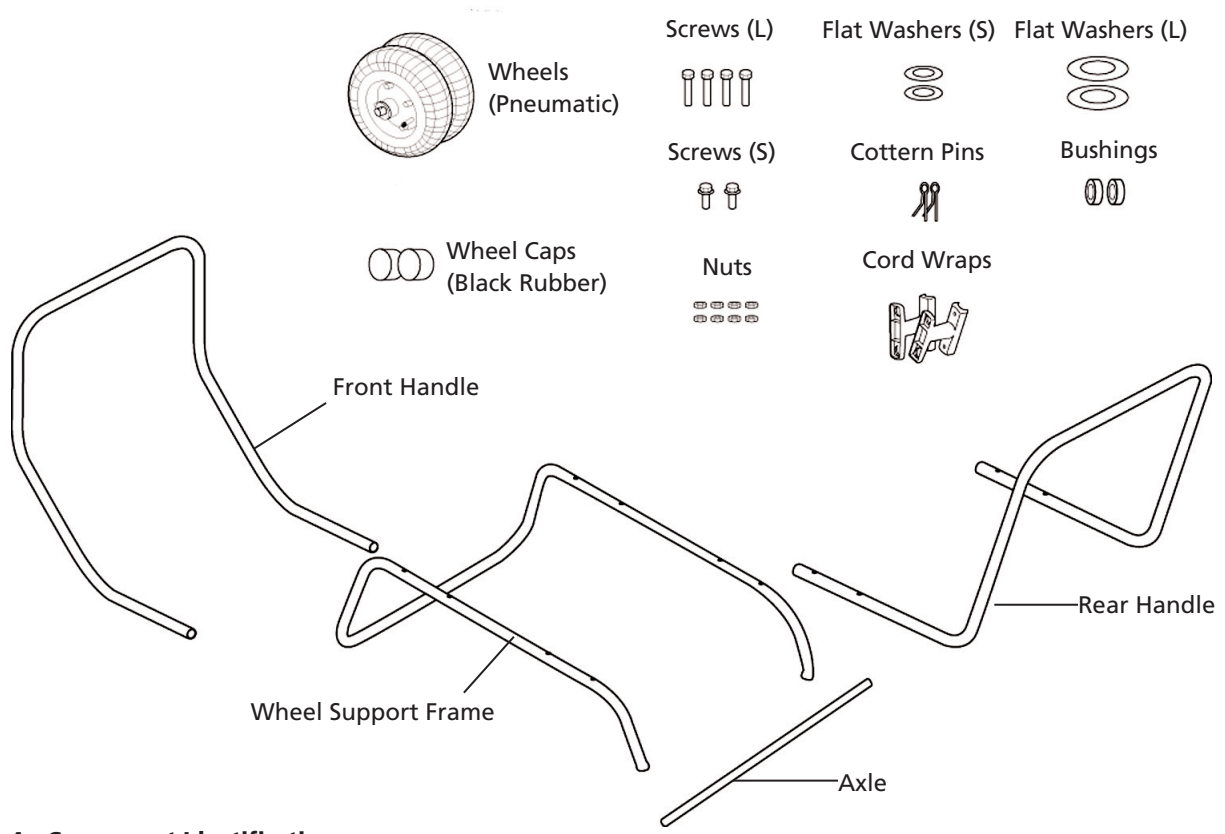


Figure 4 – Component Identification



Model 3VE53D

Assembly

TOOLS REQUIRED

- MEDIUM PHILLIPS SCREWDRIVER
- OPEN OR ADJUSTABLE WRENCH, USE US (INCH) SCREWS NUTS
- LONG NOSE PLIERS

ASSEMBLING WHEEL & HANDLE

1. Slide axle through wheel support frame. Install wheel bushings, flat washers (S) and wheel on axle.

NOTE: When installing wheels, tube valve should face out from support frame (Figure 5).

2. Place flat washers (L) and cotter pins on axle ends and bend cotter pins with long nose pliers to secure.

3. Place wheel cap on flat washers (L) and put wheel cap in flat washers (L) end.

4. Place heater on wheel support frame. Make sure air inlet end (rear) of heater is over wheels. Align the holes on fuel tank flange. Insert screws through handles (front and rear), fuel tank flange, and wheel support frame as shown in Figure 5 and attach nut finger tight after each screw is inserted.

5. After all screws are inserted, tighten nuts firmly.

CAUTION *DO NOT operate heater without support frame fully assembled to tank.*

Operation KEROSENE (1-K)

For optimal performance of this heater, it is strongly suggested that 1-K kerosene be used. 1-K kerosene has been refined to virtually eliminate contaminants, such as sulfur, which can cause a

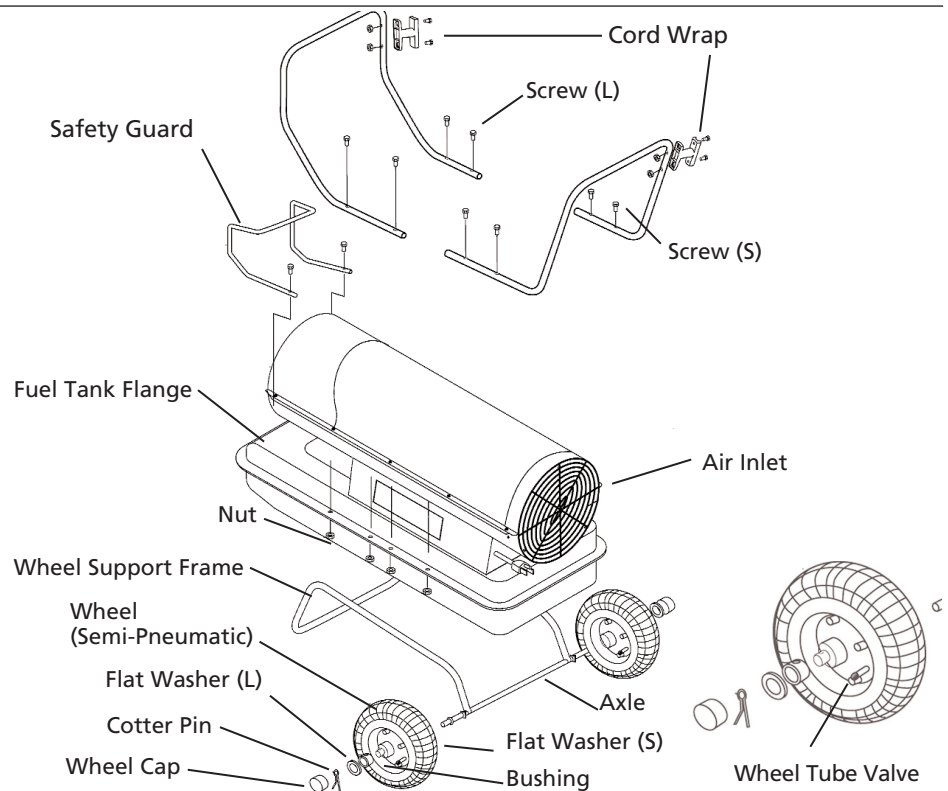


Figure 5 - Wheel and Handle Assembly

rotten egg odor during the operation of the heater. However, #1 or #2 fuel oil (diesel fuel) may also be used if 1-K kerosene is not available. Be advised that these fuels do not burn as clean as 1-K kerosene, and care should be taken to provide more fresh air ventilation to accommodate any added contaminants that may be added to the heated space.

NOTE: Kerosene should only be stored in a blue container that is clearly marked "kerosene". Never store kerosene in a red container. Red containers are associated with gasoline.

- NEVER store kerosene in the living space. Kerosene should be stored in a

well ventilated area outside the living area.

- NEVER use fuel such as gasoline, benzene, alcohol, white gas, camp stove fuel, paint thinners or other oil compounds in this heater (THESE ARE VOLATILE FUELS THAT CAN CAUSE A FIRE OR EXPLOSION).
- NEVER store kerosene in direct sunlight or near a source of heat.
- NEVER use kerosene that has been stored from one season to the next. Kerosene deteriorates over time. OLD KEROSENE WILL NOT BURN PROPERLY IN THIS HEATER.



Dayton® Portable Oil-Fired Heater

Operation (Continued)

- Use 1-K kerosene in this heater. #1 fuel is a suitable substitute.

OVERVIEW OF HEATER DESIGN

Fuel System: This heater is equipped with an electric magnet pump that forces fuel through the fuel line connected to the fuel intake, and then through a nozzle in the burner head. This fuel is then sprayed into the combustion chamber in a fine mist.

“SureFire Ignition”: The electronic ignitor sends voltage to a specially designed spark plug. The spark plug ignites the fuel and air mixture.

The Air System: The heavy duty motor turns a fan that forces air into and around the combustion chamber. Here, the air is heated and then forced out the front of the heater.

THE SAFETY SYSTEM

Temperature Limit Control: This heater is equipped with a Temperature Limit Control designed to turn the heater off should the internal temperature rise to an unsafe level. If this device activates and turns your heater off, it may require service.

Once the temperature falls below the reset temperature, you will be able to start your heater.

Electrical System Protection: This heater’s electrical system is protected by a fuse that protects it and other electrical components from damage. Fuse is located inside of an in-line “FUSE BARREL”. If your heater fails to operate, check this fuse first and replace as needed. Refer to Specification Chart on page 1.

Flame-Out Sensor: Utilizes a photocell to monitor the flame in burn chamber during normal operation. It will cause the heater to shut off should the burner flame extinguish.

FUELING YOUR HEATER

NEVER fill the heater fuel tank in the living space: fill the tank outdoors. Do not overfill your heater and be sure heater is leveled.

⚠ WARNING *Never refill fuel tank when heater is operating or still hot.*

IMPORTANT: REGARDING FIRST IGNITION OF HEATER. The first time you light the heater, it should be done OUTDOORS. This allows the oils, etc. used in manufacturing the heater to burn off outside.

VENTILATION

⚠ CAUTION *Risk of indoor air pollution. Use heater only in well ventilated areas.*

Provide a fresh air opening of at least 3 square feet. (2,800 sq. cm.) for each 100,000 BTU/Hr. rating. Provide extra fresh air if more heaters are being used.

TO START HEATER

1. Fill fuel tank with kerosene or No. 1 fuel oil.
2. Attach fuel cap.
3. Plug power cord into three-prong, grounded extension cord. Extension cord must be at least six feet long.

Extension Cord Wire Size Requirements:

- 6 to 10 feet long, use 14 AWG conductor.
- 101 to 200 feet long, use 12 AWG conductor.
- 201 to 300 feet long, use 10 AWG conductor.
- 301 to 400 feet long, use 8 AWG conductor.
- 401 to 500 feet long, use 6 AWG conductor.

4. Push “OPERATION BUTTON”. Power indicator lamp and room temperature display will light and heater will start. Push the up and down arrow keys on the control panel to adjust the thermostat settings.

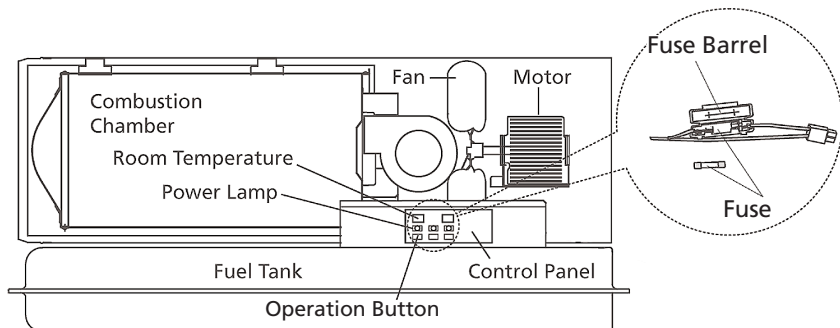


Figure 6 – Overview of Heater Design

MODELS	Internal Shut-Off Temp. +/-10 Degrees	Reset Temp. +/-10 Degrees
3VE53D	140°F / 60°C	130°F / 54°C



Model 3VE53D

Operation (Continued)

If heater does not start, the thermostat setting may be too low. Push "TEMP CONTROL UP ARROW" to higher setting to start heater. If heater still does not start, see Troubleshooting Chart on page 14-15.

NOTE: The major electrical components of this heater are protected by a circuit breaker (fuse) mounted to the power switch. If your heater fails to start, check this first and replace as necessary. You should also check your power source to insure that proper voltage and frequency are being supplied to the heater.

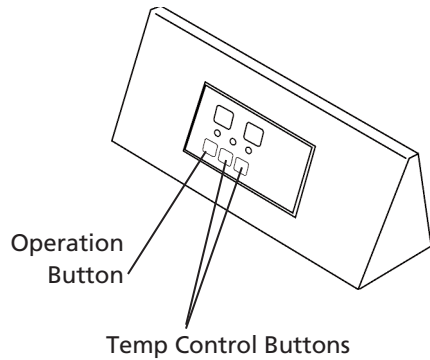


Figure 7 – Control Parts

NOTE: When using diesel fuel in cold ambient temperatures (below 35° F) fuel additives will be required to prevent the diesel fuel from "jelling". Follow the mixing instructions provided by the diesel additive supplier for the correct additive/fuel ratio.

TO STOP HEATER

CAUTION Never unplug heater while heater is running.

Heater must go through cooling cycle. The cooling cycle cools the combustion chamber.

Damage to heater can occur if combustion chamber is not cooled. Do not restart heater until cooling cycle is complete.

1. Push "OPERATION BUTTON", This will cause heater flame to go out. The motor will continue to run during the cooling cycle. This allows the fan to cool the combustion chamber. When the cooling cycle (approx. 2 minutes) is finished, the motor will stop. **Do not unplug heater until cooling cycle is finished.**
2. Disconnect heater from power source.
3. To temporarily stop heater, set thermostat at a temperature lower than air around heater. Heater will cycle back on if air temperature around heater matches thermostat setting.

TO RESTART HEATER

CAUTION DO NOT restart heater until cooling cycle is finished.

The cooling cycle cools the combustion chamber.

1. Wait until cooling cycle is finished after stopping heater.
2. Repeat steps under TO START HEATER.

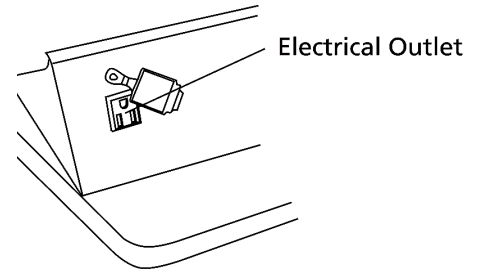


Figure 8 – Electrical Outlet

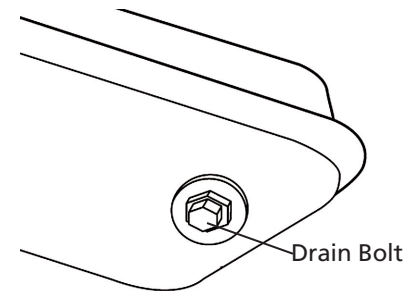


Figure 9 – Drain Bolt Removal ELECTRICAL OUTLET

WARNING Shock Hazard!

- Never plug in an appliance with more than 5amp rating in this outlet.
- Always keep outlet covered when not in use.
- 120V 5amp max (non fused).

LONG-TERM STORAGE OF HEATER

1. Remove drain nut from rear bottom side of fuel tank by unscrewing nut and drain. See Figure 9.
2. Using a small amount of kerosene, swirl and rinse the inside of the tank. NEVER MIX WATER WITH KEROSENE, as it will cause rust inside the tank. Pour the kerosene out, making sure that you remove it all.

IMPORTANT: Do not store kerosene over summer for use during next heating season. Using old fuel may damage heater.

Dayton® Portable Oil-Fired Heater

Operation (Continued)

3. Reinstall drain bolt as follows:

- Insert bolt's seal head fully into drain hole so that flange is flush to tank's bottom. See Figure 10.
- Insert seal cap fully into head hole so that cap flange is flush to head flange. (See Figure 10).

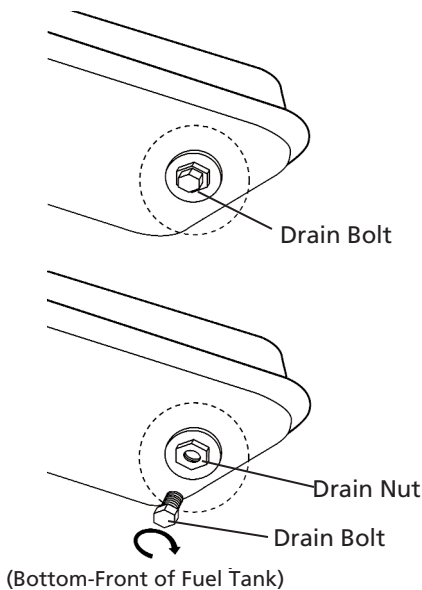


Figure 10 – Drain Bolt Reinstall

IMPORTANT: Reinstall bolt fully into hole in tank; otherwise it will not seal completely.

- Make sure storage place is free of dust and corrosive fumes.
- Store the heater in the original box with the original packing material and keep USER'S MANUAL with heater.

Maintenance

⚠ WARNING *Never service heater while it is plugged in or while hot!*

NOTE: USE ORIGINAL EQUIPMENT REPLACEMENT PARTS. Use of third-party or other alternate components will void warranty and may cause unsafe operating conditions.

FUEL TANK

- Flush every 200 hours of operation or as needed (See Storage, page 7).

FAN BLADES

CLEAN EVERY SEASON OR AS NEEDED.

- Remove upper shell (See air intake filter).
- Use Allen wrench to loosen set screw which holds fan blade to motor shaft.
- Slip fan blade off motor shaft.
- Clean fan blade using soft cloth moistened with kerosene or solvent.
- Dry fan blade thoroughly.
- Reinstall fan blade to motor shaft.
- Place fan hub flush with end of motor shaft.
- Place set screw on flat end of shaft.
- Tighten screw firmly (40-50 inch pounds/ 4.5-5.6 N-m). Reinstall upper shell

NOZZLE

Remove dirt in nozzle as needed (see page 12).

- Remove upper shell.
- Remove fuel line B from burner assembly by using wrench.
- Remove burner head from burner assembly.

- Remove lead wire from spark plug.
- Remove spark plug from burner head.
- Carefully remove nozzle from burner head using socket wrench.
- Blow compressed air through face of nozzle (This will remove any dirt).
- Inspect nozzle for damage. If damaged or clogged, replace nozzle.
- Make sure plug is in place on burner head.
- Reinstall nozzle into burner head and tighten firmly (175-200 inch-pounds).
- Reinstall spark plug in burner head.
- Attach burner head to combustion chamber.
- Attach spark plug wire to spark plug
- Attach fuel line to burner head and tighten firmly.
- Replace upper shell.

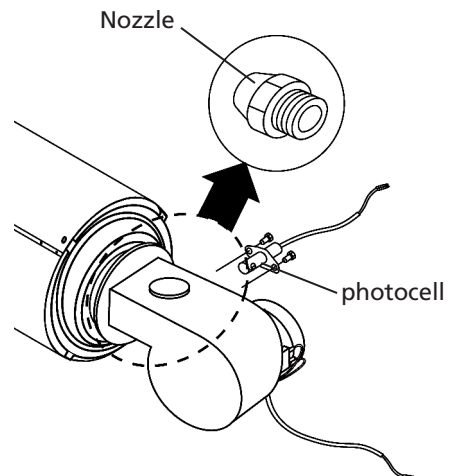


Figure 11 – Nozzle Replacement

Model 3VE53D

Maintenance (continued)

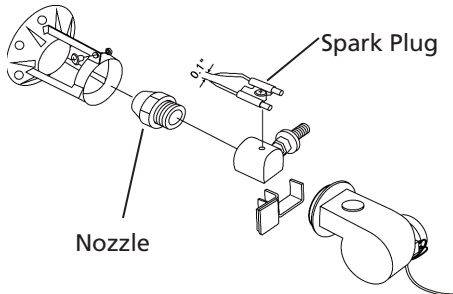


Figure 12 – Nozzle

- Attach ignitor wire to spark plug.
- Attach fuel and air line hoses to burner head.
- Reinstall fan blade and upper shell.

SPARK PLUG

CLEAN AND REGAP EVERY 600 HOURS OF OPERATION OR REPLACE AS NEEDED.

- Remove upper shell.
- Remove spark plug wire from spark plug (See Figure 13).
- Remove spark plug from burner head using medium Phillips screwdriver.
- Clean and regap spark plug electrodes to 3.5 mm gap (+/- 0.5mm).
- Reinstall spark plug into burner head.
- Attach spark plug wire to spark plug.
- Reinstall upper shell.

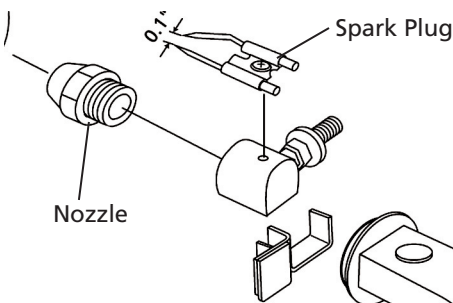


Figure 13 – Spark Plug Replacement

PHOTOCELL

CLEAN PHOTOCELL ANNUALLY OR AS NEEDED.

- Remove upper shell.
- Remove fan (See fan blades).
- Remove photocell from its mounting bracket
- Clean photocell lens with cotton swab.

TO REPLACE: Remove side cover near Operation switch.

- Disconnect wires from Operation switch and remove photocell.
- Disconnect wires from circuit board and remove side cover.
- Install new photocell and attach wires to circuit board.
- Replace switch wires to operation switch and side cover.
- Replace fan and upper shell.

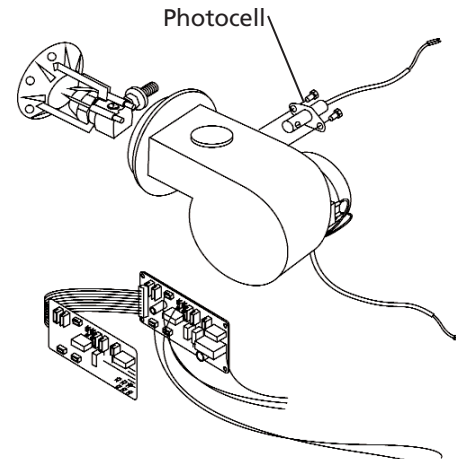


Figure 15 – Photocell Replacement

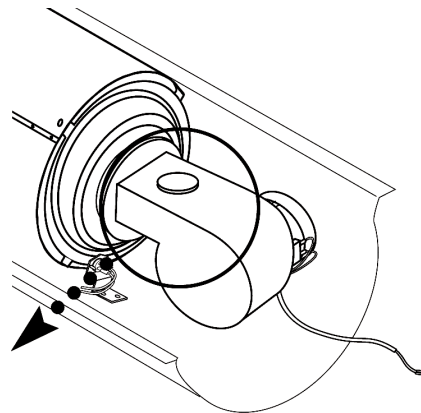


Figure 14 – Photocell Lead Wire

Dayton® Portable Oil-Fired Heater

Maintenance (Continued)

FUEL FILTER

CLEAN TWICE PER HEATING SEASON OR AS NEEDED.

Fuel filter A on fuel cap

- Remove fuel cap.
- Take out fuel filter with clean kerosene.
- Wash fuel filter with clean kerosene.
- Replace fuel filter on fuel tank.
- Replace fuel cap on fuel tank.

Fuel filter B on fuel line

(See Figure 16)

- Remove fuel line A from fuel pump by using wrench.
- Take out fuel line from fuel tank by pulling out fuel filter gasket.
- Remove fuel filter assembly from fuel line
- Wash fuel filter in clean kerosene.
- Reassemble fuel filter in reverse order.

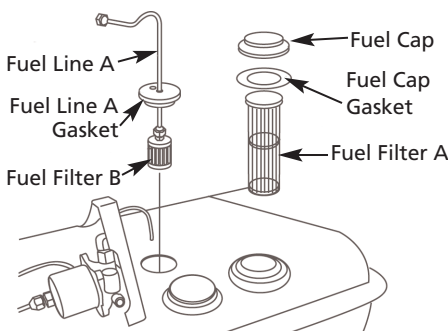


Figure 16 – Remove Tank Fuel Filter

PUMP PRESSURE ADJUSTMENT

1. Remove right side panel.
(If not using an accessory fuel pressure gauge, please skip to #4)
2. Remove air vent screw.

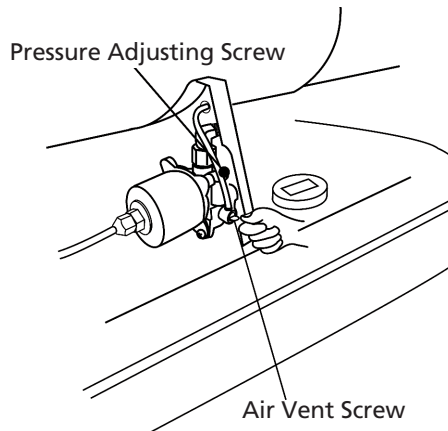


Figure 17 – Pump Pressure Adjustment

3. Insert accessory fuel pressure gauge at outlet of air vent screw.
4. Adjust pump pressure by turning pressure adjusting screw. See Figure 17.
5. Turn pressure adjusting screw clockwise to increase pressure.
6. Turn pressure adjusting screw counterclockwise to decrease pressure.
7. Set pump pressure to 125 PSI (+/- 6PSI).

We recommend pump pressure adjusting is not needed if red markings on pump body and pressure adjusting screw are aligned with each other.

NOTE: Use only original equipment replacement parts. Use of alternate or third party components will void any warranty and may cause unsafe operating conditions.

8. Stop heater (See OPERATION, page 7).
9. If accessory pressure gauge is being used, remove pressure gauge.

10. Replace pressure gauge, and plug in end of filter cover.

NOTE: If heater does not ignite when heater is turned on, please turn AIR VENT SCREW counter clockwise to release air, then turn OPERATION SWITCH back on.

NOTE: An accessory service fuel pressure gauge is available for accurate fuel pressure testing. Service part# HG700710100G.

AIR BLEED DIRECTIONS

If your heater fails to ignite, having air trapped in the fuel pump may be the cause. Air in the fuel pump will cause ignition failure and is often accompanied by a loud "grinding" or vibrating sound being made by the fuel pump. This heater is designed to easily remove any air in the fuel pump by simply following the Air Bleeding Procedure below:

1. Fill fuel tank with kerosene or No. 1 fuel oil. Turn the Air Vent Screw 3 full turns counterclockwise from the factory closed / fully clockwise position. (This will allow air to escape during operation). See Figure 18.

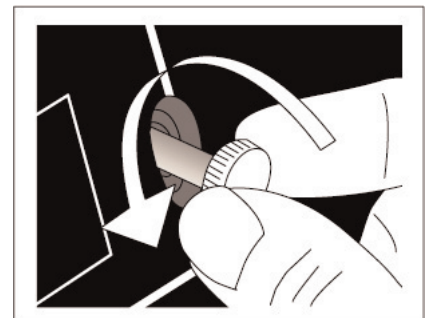


Figure 18 – Opening Air Vent Screw

Model 3VE53D

Maintenance (Continued)

- 2 Start the ignition sequence by following the standard ignition procedures outlined on page 6.
3. Allow the heater to attempt ignition for 3-5 seconds, during which time you may hear a loud "grinding" or vibration sound.
4. If your heater has not ignited, re-start the ignition sequence. Once the

heater has ignited, turn the Air Vent Screw clockwise until fully hand-tightened. See Figure 19.

Any air trapped in the fuel pump will have been purged.

5. Your heater is now ready for operation.
6. Re-fill your heater with fuel before it runs out. This will prevent the fuel lines and fuel pump from drawing in

air and having to go through the air bleeding procedure again.

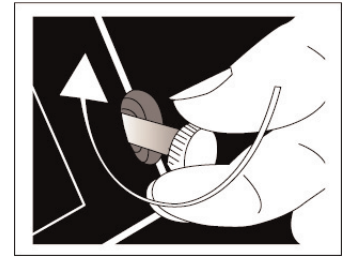
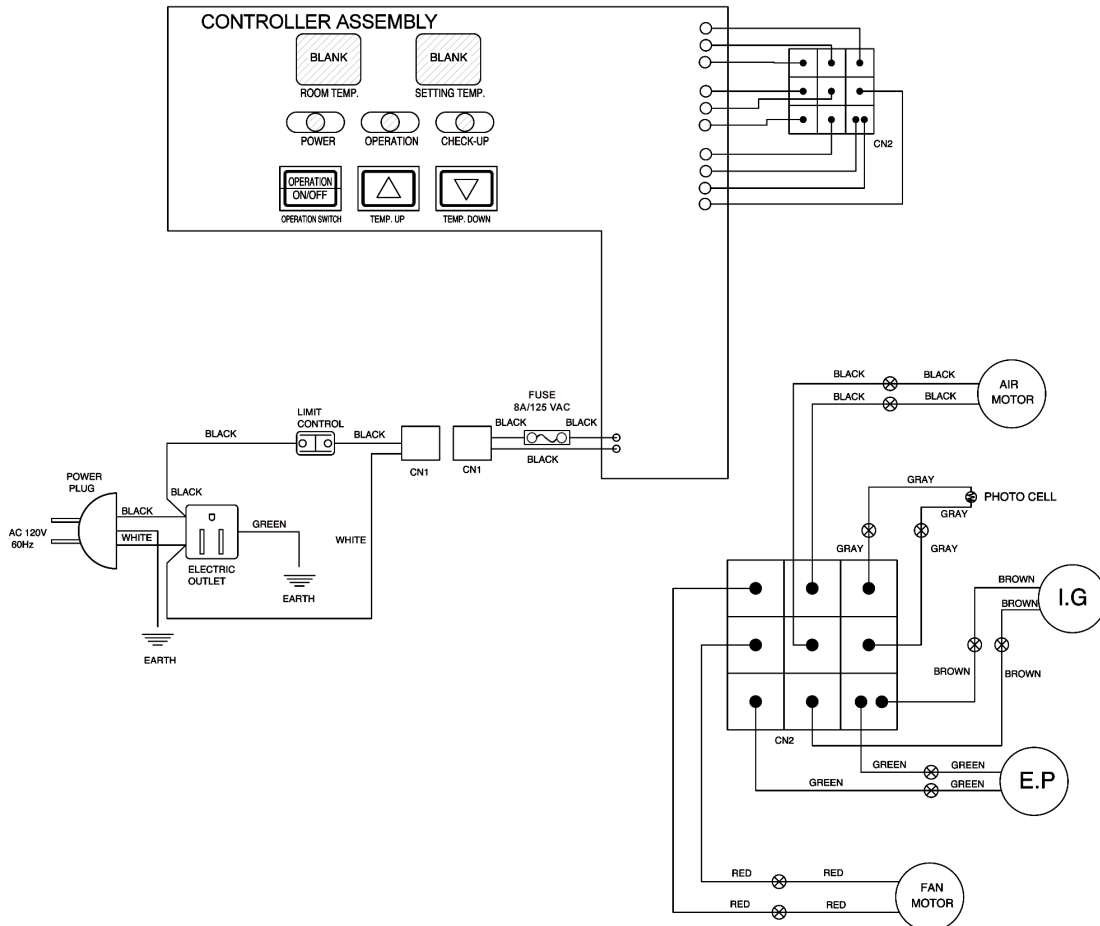


Figure 19 – Tightening Air Vent Screw

Wiring Diagrams



For Repair Parts, call 1-800-323-0620

24 hours a day – 365 days a year

Please provide following information:

- Model number
- Serial number (if any)
- Part description and number as shown in parts list

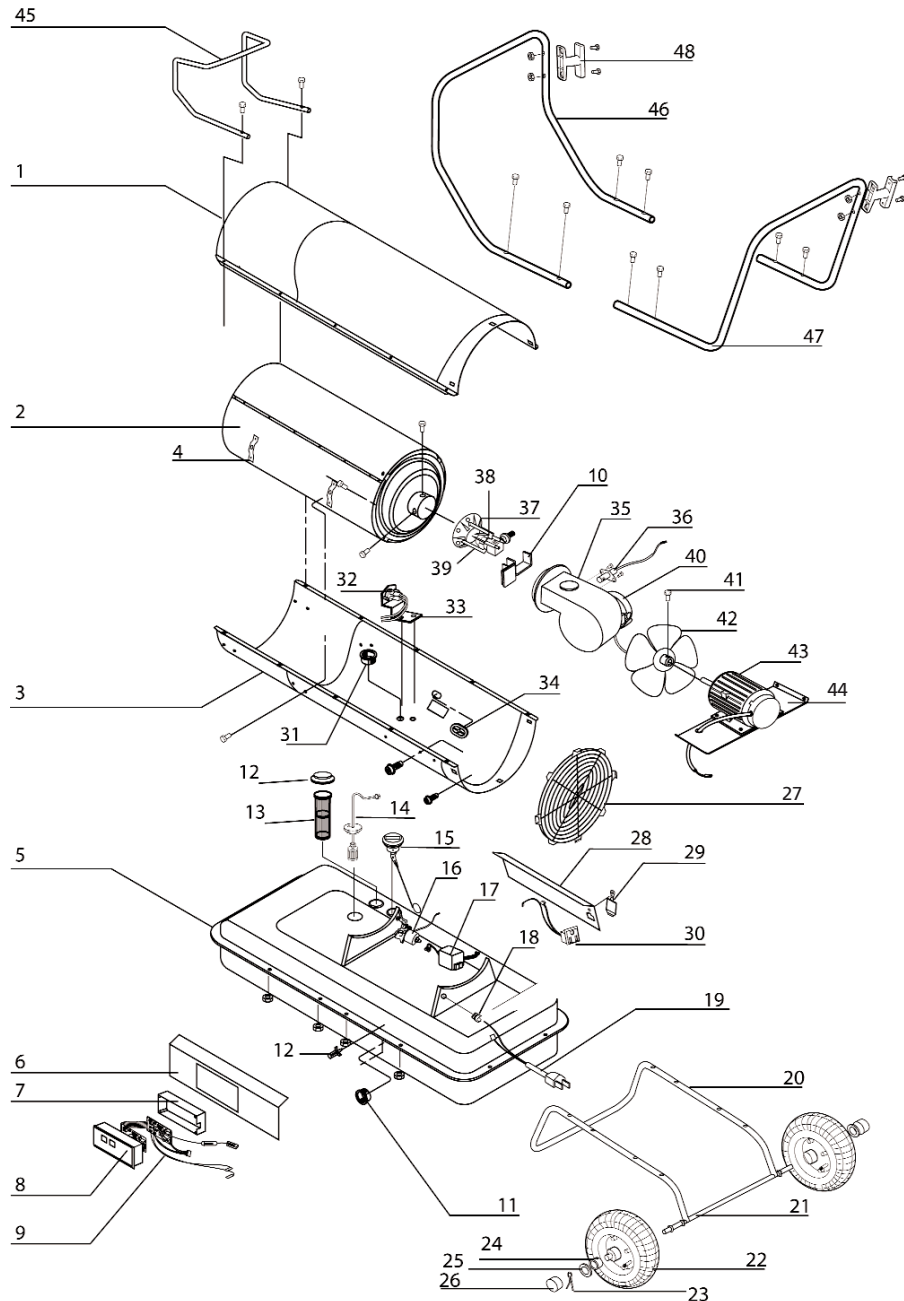


Figure 20 – Repair Parts Illustration for Portable Oil-Fired Heater



Model 3VE53D

Repair Parts List for Portable Oil-Fired Heater

Ref. No.	Description	Part No.	Qty.	Ref. No.	Description	Part No.	Qty.
1	Upper Shell	70-001-1401	1	26	Wheel Cap	70-041-1111	2
2	Chamber Assembly	70-011-0600	1	27	Fan Guard	70-016-0300	1
3	Lower Shell	70-001-1402	1	28	Left Side Cover	70-009-0500	1
4	Baffle Bracket Rear	70-001-0608	4	29	Socket Cover	70-030-0100	1
5	Fuel Tank Assembly	70-002-0400	1	30	Electrical Outlet Assembly	70-029-0100	1
6	Right Side Cover	70-008-0500	1	31	Bushing Grommet (L)	70-018-0200	1
7	PCB Case Lower	70-027-0702	1	32	Thermostat	70-019-0500	1
8	PCB Case Upper	70-027-0703	1	33	Thermostat Bracket	70-019-0501	1
9	P.C.B. Assembly	70-027-0800	1	34	Rubber Bushing	70-018-0300	1
10	Air Baffle Plate	70-012-0100	1	35	Burner Blower Fan Assembly	70-063-0300	1
11	Bushing Grommet (S)	70-017-0200	5	36	Photocell Assembly	70-016-0150	1
12	Fuel Cap Assembly	70-006-0200	1	37	Air Control Head Assembly	70-014-0701	1
13	Fuel Filling Filter	70-006-0300	1	38	Spark Plug	70-052-0400	1
14	Fuel Line Assembly (A)	70-036-0700	1	39	Nozzle	70-015-0750	1
15	Fuel Gauge Assembly	70-007-0200	1	40	Burner Motor Assembly	70-063-0200	1
16	Magnetic Pump Assembly	70-020-0700	1	41	Fan Fixing Screw M8x8	-	1
17	Ignitor	70-037-0700	1	42	Fan Assembly	70-024-0700	1
18	Cord Bushing	70-033-0200	1	43	Air Motor Assembly	70-021-0700	1
19	Power Cord Assembly	70-034-0300	1	44	Motor Supporter	70-020-0407	1
20	Wheel Support Frame	70-064-0100	1	45	Safety Guard	70-065-0100	1
21	Wheel Axle	70-041-0303	1	46	Front Handle	70-042-0300	1
22	Pneumatic Wheel	70-041-0110	2	47	Rear Handle	70-043-0300	1
23	Split Pin	70-041-0107	2	48	Cord Wrap	70-032-0200	2
24	Wheel Bushing	70-041-0109	2	49	Drain Bolt	70-002-0107	1
25	Flat Washer (A)	70-041-0105	2				



Service Fuel Pressure Gauge (sold separately)

HG700710100G

This fuel pressure gauge is for servicing of the 3VE53D heater. See page 10.

Dayton® Portable Oil-Fired Heater

Troubleshooting Chart

Symptom	Possible Cause(s)	Corrective Action
Heater ignites but Main PCB assembly shuts heater off after a short period of time (Lamp is flickering)	<ol style="list-style-type: none"> 1. Wrong pump pressure 2. Dirty fuel filter 3. Dirt in nozzle 4. Dirty photocell lens 5. Photocell assembly not properly installed (not seeing flame) 6. Bad electrical connection between photocell and Main PCB assembly 7. Defective photocell 	<ol style="list-style-type: none"> 1. See Pump Pressure Adjustment, Page 10 2. See Fuel Filter, Page 10 3. See Nozzle, Page 8 4. Clean Photocell Lens, Page 9 5. Make sure photocell boot is properly seated in bracket (See page 9) 6. Check electrical components (See Wiring Diagrams, Page 11) 7. Replace Photocell, Page 9
E1		
Heater will not ignite, but motor runs for a short period of time (Lamp is flickering)	<ol style="list-style-type: none"> 1. No fuel in tank 2. Wrong pump pressure 3. Carbon deposits on spark plug and/or improper gap 4. Dirty fuel filter 5. Dirt in nozzle 6. Water in fuel tank 7. Bad electrical connection between ignitor and Main PCB assembly 8. Ignitor Wire not attached to spark plug 9. Defective ignitor 10. Air in Fuel Line 11. Ambient temperature below 35°F 	<ol style="list-style-type: none"> 1. Fill tank with kerosene 2. See Pump Pressure Adjustment, Page 10 3. See Spark Plug, Page 9 4. See Fuel Filter, Page 10 5. See Nozzle, Page 8 6. Flush fuel tank with clean kerosene, page 7 7. Check electrical connections (See Wiring Diagrams, Page 11) 8. Attach ignitor wire to spark plug (See Spark Plug, Page 9) 9. Replace ignitor 10. See Air Bleed Directions, Page 10 11. Add fuel additives to keep fuel from gelling
E1		
Fan does not turn when heater is plugged in.	<ol style="list-style-type: none"> 1. Thermostat setting too low 2. Poor electrical connection between motor and Main PCB assembly 	<ol style="list-style-type: none"> 1. Adjust thermostat to a higher setting 2. Check electrical connections (See Wiring Diagrams, Page 11)
E1 or E2		
E3	<ol style="list-style-type: none"> 1. Switch Failure 2. Short Circuit 	<ol style="list-style-type: none"> 1. Replace Switch 2. Check Wiring and connection

Model 3VE53D

Troubleshooting Chart (Continued)

Symptom	Possible Cause(s)	Corrective Action
E4	Sensor disconnected	A. Check limit control thermostat B. Check sensor connection
E5	Temperature limit safety device is overheated	Wait until unit cools down
Other Problems	<ol style="list-style-type: none"> 1. Poor Combustion <ul style="list-style-type: none"> - Flames extending beyond heater - Low heat output 2. Power Failure <ul style="list-style-type: none"> - No power supply to heater 	<ol style="list-style-type: none"> 1. Poor Combustion <ul style="list-style-type: none"> - Align the red mark between the air screw and pump body 2. Power Failure <ul style="list-style-type: none"> - Check / Replace Fuse

Dayton® Portable Oil-Fired Heater

LIMITED WARRANTY

DAYTON ONE-YEAR LIMITED WARRANTY. Dayton® Portable Oil-Fired Heater, Model covered in this manual, is warranted by Dayton Electric Mfg. Co. (Dayton) to the original user against defects in workmanship or materials under normal use for one year after date of purchase. Any part which is determined to be defective in material or workmanship and returned to an authorized service location, as Dayton designates, shipping costs prepaid, will be, as the exclusive remedy, repaired or replaced at Dayton's option. For limited warranty claim procedures, see PROMPT DISPOSITION below. This limited warranty gives purchasers specific legal rights which vary from jurisdiction to jurisdiction.

LIMITATION OF LIABILITY. To the extent allowable under applicable law, Dayton's liability for consequential and incidental damages is expressly disclaimed. Dayton's liability in all events is limited to and shall not exceed the purchase price paid.

WARRANTY DISCLAIMER. Dayton has made a diligent effort to provide product information and illustrate the products in this literature accurately; however, such information and illustrations are for the sole purpose of identification, and do not express or imply a warranty that the products are MERCHANTABLE, or FIT FOR A PARTICULAR PURPOSE, or that the products will necessarily conform to the illustrations or descriptions. Except as provided below, no warranty or affirmation of fact, expressed or implied, other than as stated in the "LIMITED WARRANTY" above is made or authorized by Dayton.

PRODUCT SUITABILITY. Many jurisdictions have codes and regulations governing sales, construction, installation, and/or use of products for certain purposes, which may vary from those in neighboring areas. While Dayton attempts to assure that its products comply with such codes, it cannot guarantee compliance, and cannot be responsible for how the product is installed or used. Before purchase and use of a product, review the product applications, and all applicable national and local codes and regulations, and be sure that the product, installation, and use will comply with them.

Certain aspects of disclaimers are not applicable to consumer products; e.g., (a) some jurisdictions do not allow the exclusion or limitation of incidental or consequential damages, so the above limitation or exclusion may not apply to you; (b) also, some jurisdictions do not allow a limitation on how long an implied warranty lasts, consequentially the above limitation may not apply to you; and (c) by law, during the period of this Limited Warranty, any implied warranties of implied merchantability or fitness for a particular purpose applicable to consumer products purchased by consumers, may not be excluded or otherwise disclaimed.

PROMPT DISPOSITION. Dayton will make a good faith effort for prompt correction or other adjustment with respect to any product which proves to be defective within limited warranty. For any product believed to be defective within limited warranty, first write or call dealer from whom the product was purchased. Dealer will give additional directions. If unable to resolve satisfactorily, write to Dayton at address below, giving dealer's name, address, date, and number of dealer's invoice, and describing the nature of the defect. Title and risk of loss pass to buyer on delivery to common carrier. If product was damaged in transit to you, file claim with carrier.

Manufactured for Dayton Electric Mfg. Co., 5959 W. Howard St., Niles, Illinois 60714 U.S.A.