

SENCOR®



SFP 3608

User's manual

MP3 PLAYER

EN

Before operating this unit, please read all instructions.

IMPORTANT

Read all instructions carefully before using this product. Retain this owner's manual for future reference.

CAUTIONS

- Do not place on or near naked flames, such as lit candles.
- Do not place objects filled with liquids such as vases on or near the product.
- Do not use or store this product in a place where it is subject to direct sunlight, heat, excessive dust or vibration.
- Do not use this product with wet hands.
- Do not clean this product with water or other liquids.
- Do not block or cover the slots and holes in the product.
- Do not push foreign objects into the slots or holes in the product.
- Do not attempt to open this product yourself. There are no user serviceable parts inside.
- Do not allow children access to the packaging including plastic bags.

SAFETY WARNINGS

- Before using this product, read and follow all warnings and instructions.
- This product is not intended for use by young children. Young children should be properly supervised.
- This product is intended for household use only and not for commercial or industrial use.
- Do not expose to dripping or splashing liquid.
- No naked flame sources, such as lit candles, should be placed near the product.
- Damage caused by using this product by failure to follow any other warning or precaution contained within this user manual will not be covered by warranty.

NOTE:

Dispose of this product responsibly.

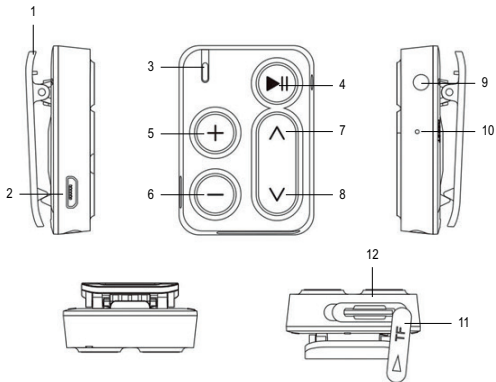
**WARNING**

When Driving in the traffic listening to a personal music player can make the listener less aware of potential dangers such as approaching cars and emergency vehicles.

**WARNING**

To prevent possible hearing damage, do not listen at high volume levels for long periods.

KEY NAVIGATION AND CONNECTION



| No. | Description | Function |
|-----|-------------------------------------|-------------------------------|
| 1 | Clip | |
| 2 | Micro USB Port | For PC connection / Charge |
| 3 | Status LED Indicator (Red and Blue) | For charging and play status |
| 4 | ▶ Button | On/Off, Play/Pause |
| 5 | + Button | Volume up |
| 6 | - Button | Volume down |
| 7 | < Button | Back Track / Fast-Backward |
| 8 | > Button | Next Track / Fast-Forward |
| 9 | Earphone Output Jack | 3.5mm earphone set connection |
| 10 | Reset (Bulit-in tact switch) | For hardware reset |
| 11 | Silicon cover | |
| 12 | Memory Card Slot | |

ABOUT PLAYER'S BATTERY

The Player has an internal, non-user-replaceable rechargeable lithium battery. For best results, the first time you use the player, let it charge for about 2 ~ 3 hours or until the charging LED shows a constant red light.

IMPORTANT:

The player may continue to use battery power after it's been turned to standby off mode, if the unit isn't used for a while it will need to be recharged. For longevity of the lithium battery life, we recommended to recharge the battery at least once per month

CHARGING MODE

You can recharge the Player's battery in two ways:

1. Connect the player to your computer. Or,
2. Use a USB power wall charger. **(not included)**
3. The **Status LED** will blink red when the USB power source is connected.
4. When the battery is fully charged, the **Status LED** will switch to a constant red light.

PC CONNECTION MODE

1. CONNECT THE PLAYER TO A COMPUTER

- 1.1 Connect the player to a Windows OS computer with the USB cable, then "USB Mass Storage Device" is detected and the related driver is installed by your computer. A removable disk drive will display in the "My computer" folder where the user can operate Read and Write functions. And the battery will charge in the background. (for Windows 2000 / XP System or above)
- 1.2 Or, connect the player with a MAC OS computer, then an "Untitled" icon will display on the desktop indicating the player is a removable disk, the user can operate Read and Write functions. And the battery is charging in the background. (For Mac System 9.2 or above)

NOTE:

In USB power charger or PC connection mode, the player can go to eject mode, press the ►|| button to eject from PC connection mode for start the music playback if you wish.

2. REMOVE THE PLAYER FROM A COMPUTER

- 2.1 If you're using a Windows OS PC, you can disconnect the player in My Computer or by clicking the "Safely Remove Hardware" icon in the Windows system tray.
- 2.2 If you're using a Mac OS PC, you can also disconnect player by dragging the player icon on the desktop to the Trash.
- 2.3 Once it is safe to disconnect the player with your computer, unplug the USB connector from player and then your computer.
- 2.4 If you accidentally disconnect the player without disconnecting correctly, reconnect it to your computer.

NOTE:

Please safely remove the player when connected to the computer, otherwise, the transferring data stored in the Player might be lost.

GETTING STARTED

1. POWER ON / OFF

- 1.1 Plug-in the earphone set into the player's earphone output jack;
- 1.2 Press and hold the ►|| button, until the Status LED lights up in blue, to power On the player.
- 1.3 The blue light will switch to blinking and then the music will play automatically.
- 1.4 To turn Off the Player; press and hold the ►|| button until the status LED light blinks fast and then the Player will switch Off in seconds later.

NOTE:

If you store an unsupported music file in the player's memory, the player will just skip the file, stay powered and begin to play the next supported file in order.

2. PLAY / PAUSE MUSIC

- 2.1 Press the ►|| button to pause the playing music.
- 2.2 Press it again to resume playback.
- 2.3 If player is in a pause state for 3 minutes, it will turn to standby Off mode automatically.

3. ADJUSTING THE VOLUME

- 3.1 Press the +/- button will increase or decrease the volume level one step at a time.
- 3.2 Press and hold the +/- button to increase or decrease volume level continuously.
- 3.3 **For hearing protection;** a beep warning will be heard from the earphones every time you increase the volume level and reach the default setting level which may exceed 85dB. Press the ►|| button to accept the warning and the user can continue to increase the volume level until the maximum level is reached.

4. PLAY NEXT / PREVIOUS MUSIC

- 4.1 In music playing mode;
- 4.2 Press the > button to play next track.
- 4.3 Press the < button to play previous track.

5. PLAY FAST-FORWARD / FAST-BACKWARD

- 5.1 Press and hold the > button to enter fast-forward mode.
- 5.2 Press and hold the < button to enter fast-backward mode.

LED LIGHT FUNCTION

- **Playing mode:** Blue light blinking once per second.
- **Pause mode:** Blue light constant bright.
- **PC connecting mode:** Flashes in red and blue while data transfer is in progress.
Lights in red while data transfer is in progress when the battery is charged.
- **In charging Mode:** Red light blinking once per second.
- **Charging completed:** Red light constant bright.
- **Low battery < 20%:** Red light blinking.

INSERT MICRO SD MEMORY CARD

This player allows you to play those supported media files from Micro SD memory card. Also, it will increase the mobile hard-disk memory capacity of the player if you use this option.

- Turn OFF the player and then insert the memory card into player's memory card slot; make sure memory card is firmly and correctly inserted.
- Now you can turn ON the player, the player will reading and searching the supported music files from memory card / internal memory, once found music will play automatically.
- Player will give priority to external memory card when it has been inserted into memory card slot, and then play the built-in memory.
- Before you want to take out the memory card from player, please turn OFF the player.

RESET THE PLAYER

In some circumstances, the device may encounter technical issues during use. This device has been designed with a built-in a mini tact switch through a hole which located on the right side of the device.

TO RESET:

1. Use a 0.8 ~ 1 mm stick or similar object (like a toothpick), and carefully insert into the reset hole.
2. Apply a small bit of force and you will get a click sound and feeling from the switch. The device is reset and will restart.

IMPORTANT:

Do not reset the device if it is in proper working.

TROUBLESHOOTING

| | |
|--|---|
| Player cannot turn ON | <ul style="list-style-type: none">• Check whether the battery has enough energy.• Charge the battery. |
| No sound is heard | <ul style="list-style-type: none">• Check whether the Volume is set to "minimum" and connect the headphone plug firmly.• Check whether the headphone plug is dirty.• Corrupted WMA / MP3 files may make a static noise and the sound may cut off. Make sure that the music files are not corrupted.• Check whether music file formats are supported. |
| Upload / Download of music files fail. | <ul style="list-style-type: none">• Check whether the player's USB connector is connected with the computer properly.• Check whether the driver is installed correctly.• Check whether the player's memory is full. |

TECHNICAL SPECIFICATIONS

| | | |
|------------------------------|--|------------------------------|
| Dimension | 46 mm (H) x 34 mm (W) x 18 mm (D) | |
| Weight | 15.2g (approximate) | |
| PC Connection | USB 2.0 (High Speed) | |
| Earphone Impedance | 32 Ohm | |
| Internal Memory | 8GB | |
| Memory Card Slot | Micro SD up to 128 GB (FAT32 and exFAT file system) | |
| Power Source | DC Input: DC 5V 500mA | |
| Rechargeable Battery | Lithium-Polymer: 3.7V 110mAh | |
| | Playing Time: 5-7 hours | |
| Supports Music Format | MP3 | 32kbps - 320kbps |
| | WMA | 32kbps - 320kbps |
| Audio | Earphone Output | 2mW x 2 channels (at 32 Ohm) |
| | Freq. Response | 20Hz - 20,000Hz |
| | SNR | 80dB |
| Operation Temperature | 0°C - 40°C | |
| Operation Systems | Window98 /ME/2000/XP/VISTA/Window7/windows10/Mac10 | |

DISCLAIMER

Updates to Firmware and/or hardware components are made regularly. Therefore some of the instruction, specifications and pictures in this documentation may differ slightly from your particular situation. All items described in this guide for illustration purposes only and may not apply to particular situation. No legal right or entitlements may be obtained from the description made in this manual.

RECYCLING



This symbol indicates that the relevant electrical product or battery should not be disposed of as general household waste in Europe. To ensure the correct waste treatment of the product and battery, please dispose them in accordance to any applicable local laws of requirement for disposal of electrical equipment or batteries. In so doing, you will help to conserve natural resources and improve standards of environmental protection in treatment and disposal of electrical waste (Waste Electrical and Electronic Equipment Directive).

CE MARKING

This product complies with EU requirements.



Changes in the text, design and technical specifications may be made without prior notice and we reserve the right to make such changes.

The original version is in Czech.

Address of the manufacturer: FAST ČR, a.s., Černokostecká 1621, Říčany CZ-251 01

SENCOR®

EN Warranty conditions

Warranty card is not a part of the device packaging.

This product is warranted for the period of 24 months from the date of purchase to the end-user. Warranty is limited to the following conditions. Warranty is referred only to the customer goods using for common domestic use. The claim for service can be applied either at dealer's shop where the product was bought, or at below mentioned authorized service shops. The end-user is obligated to set up a claim immediately when the defects appeared but only till the end of warranty period. The end user is obligated to cooperate to certify the claiming defects. Only completed and clean (according to hygienic standards) product will be accepted. In case of eligible warranty claim the warranty period will be prolonged by the period from the date of claim application till the date of taking over the product by end-user, or the date the end-user is obligated to take it over. To obtain the service under this warranty, end-user is obligated to certify his claim with duly completed following documents: receipt, certificate of warranty, certificate of installation.

This warranty is void especially if apply as follows:

- Defects which were put on sale.
- Wear-out or damage caused by common use.
- The product was damaged by unprofessional or wrong installation, used in contrary to the applicable instruction manual, used in contrary to legal enactment and common process of use or used for another purpose which has been designed for.
- The product was damaged by uncared-for or insufficient maintenance.
- The product was damaged by dirt, accident of force majeure (natural disaster, fire, and flood).
- Defects on functionality caused by low duality of signal, electromagnetic field interference etc.
- The product was mechanically damaged (e.g. broken button, fall).
- Damage caused by use of unsuitable media, fillings, expendable supplies (batteries) or by unsuitable working conditions (e.g. high temperatures, high humidity, quakes).
- Repair, modification or other failure action to the product by unauthorized person.
- End-user did not prove enough his right to claim (time and place of purchase).
- Data on presented documents differs from data on products.
- Cases when the claiming product cannot be indentified according to the presented documents (e.g. the serial number or the warranty seal has been damaged).

Authorized service centers

Visit www.sencor.com for detailed information about authorized service centers.