

## EN User Manual | Fridge Freezer



## Welcome to our family

Thank you for bringing Frigidaire into your home! We see your purchase as the beginning of a long relationship together.

This manual is your resource for the use and care of your product. Please read it before using your appliance. Keep it handy for quick reference. If something doesn't seem right, the troubleshooting section will help you with common issues.

FAQ, helpful tips and videos, cleaning products, and kitchen and home accessories are available at <http://www.frigidaire.com>.

We are here for you! Visit our website, chat with an agent, or call us if you need help. We may be able to help you avoid a service visit. If you do need service, we can get that started for you.

Let's make it official! Be sure to register your product.

## CONTENTS

1. IMPORTANT SAFETY INFORMATION.....	2
2. FEATURES.....	5
3. INSTALLATION.....	5
4. DOOR REMOVAL.....	7
5. CONTROLS AND SETTINGS.....	9
6. STORAGE FEATURES.....	10
7. NORMAL OPERATING SOUNDS.....	11
8. CARE AND CLEANING.....	12
9. TROUBLESHOOTING.....	13
10. LIMITED WARRANTY.....	14

# 1. IMPORTANT SAFETY INFORMATION

## 1.1 Keep a record for quick reference

Model number

.....

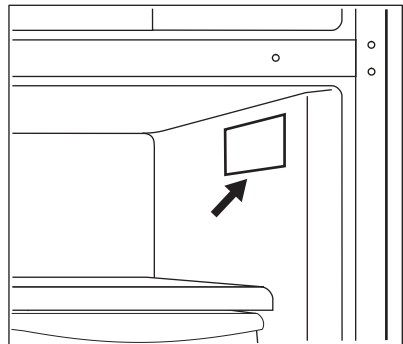
Serial number

.....

Purchase date

.....

## 1.2 Serial number location



## **WARNING!**

You must follow these guidelines to ensure that your appliance's safety mechanisms are operating correctly.

## 1.3 Safety definitions



This is the safety alert symbol. It is used to alert of potential personal injury hazards. Obey all safety messages that follow this symbol to avoid possible injury or death.

## **DANGER**

DANGER indicates an imminently hazardous situation which, if not avoided, will result in death or serious injury.

## **WARNING!**

WARNING indicates a potentially hazardous situation which, if not avoided, could result in death or serious injury.

## **CAUTION!**

CAUTION indicates a potentially hazardous situation which, if not avoided, may result in minor or moderate injury.

## **IMPORTANT**

IMPORTANT indicates installation, operation or maintenance information which is important but not hazard-related.

## 1.4 Child safety

This appliance is not intended for use by persons (including children) with reduced physical, sensory or mental capabilities, or lack of experience and knowledge, unless they have been given supervision or instruction concerning use of the appliance by a person responsible for their safety.

Destroy or recycle the carton, plastic bags, and any exterior wrapping material immediately after the appliance is unpacked. Children should never use these items to play. Cartons covered with rugs, bedspreads, plastic sheets or stretch wrap may become airtight chambers, and can quickly cause suffocation.

## 1.5 Important safety instructions

### **DANGER**



DANGER Risk of fire or explosion. Flammable refrigerant used. Do not use mechanical devices to defrost the appliance. Do not puncture refrigerant tubing.

DANGER Risk of fire or explosion. Flammable refrigerant used. To be repaired only by trained service personnel. Use only manufacturer-authorized service parts. Any repair equipment used must be designed for flammable refrigerants. Follow all manufacturer repair instructions. Do not puncture refrigerant tubing.

### **CAUTION!**



CAUTION Risk of fire or explosion due to puncture of refrigerant tubing. Follow handling instructions carefully. Flammable refrigerant used.

This appliance is for storage only and should not be used for any other purpose.

Do not store or use gasoline or other flammable vapors and liquids in the vicinity of this or any other appliance.

Do not store explosive substances such as aerosol cans with a flammable propellant in this appliance.

Do not operate the appliance in the presence of explosive fumes. Avoid contact with any moving parts of automatic ice maker.

Remove all staples from the carton. Staples can cause severe cuts, and also destroy finishes if they come in contact with other appliances or furniture.

**⚠ WARNING!**

Do not use electrical appliances inside the food storage compartments of the appliance unless they are of the type recommended by the manufacturer.

**⚠ WARNING!**

CALIFORNIA RESIDENTS ONLY  
WARNING! Cancer and Reproductive Harm <http://www.P65Warnings.ca.gov>

## 1.6 Proper disposal of your appliance

**⚠ CAUTION!**

CAUTION Risk of fire or explosion. Dispose of the appliance properly in accordance with the applicable federal or local regulations. Flammable refrigerant used.



### Risk of child entrapment

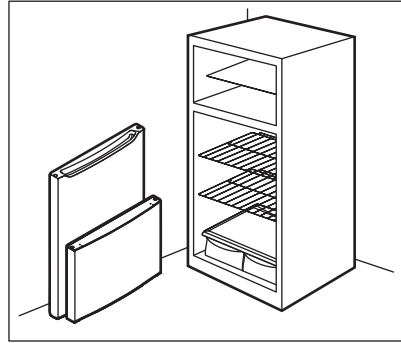
Child entrapment and suffocation are not problems of the past. Junked or abandoned appliances are still dangerous – even if they will sit for “just a few days”. If you are getting rid of your old appliance, follow the instructions below to help prevent accidents.

We strongly encourage responsible appliance recycling/disposal methods. Check with your utility

company or visit <http://www.energystar.gov/recycle> for more information on recycling your old appliance.

### Before you throw away your old appliance:

- Remove doors.
- Leave shelves in place so children may not easily climb inside.
- Have it removed by a qualified service technician.



## 1.7 Electrical information

- The appliance must be plugged into its own dedicated 115 Volt, 60 Hz., 15 Amp, AC only electrical outlet. The power cord of the appliance is equipped with a three-prong grounding plug for your protection against electrical shock hazards. It must be plugged directly into a properly grounded three-prong receptacle. The receptacle must be installed in accordance with local codes and ordinances. Consult a qualified electrician. Do not use an extension cord or adapter plug.

**⚠ WARNING!**

Avoid fire hazard or electric shock.

- If the power cord is damaged, it should be replaced by an authorized service technician to prevent any risk.
- Never unplug the appliance by pulling on the power cord. Always grip the plug firmly, and pull straight out from the receptacle to prevent damaging the power cord.

- Unplug the appliance before cleaning and before replacing the AC LED light bulb to avoid electrical shock. Use only a 5-watt or less AC LED light bulb.
- Performance may be affected if the voltage varies by 10% or more. Operating the appliance with insufficient power can damage the compressor. Such damage is not covered under your warranty.
- Do not plug the unit into an electrical outlet controlled by a wall switch or pull cord to prevent the appliance from being turned off accidentally.
- Do not pinch, knot, or bend the power cord in any manner.

### **⚠ WARNING!**

When positioning the appliance, ensure the supply cord is not trapped or damaged.  
Do not locate multiple portable socket-outlets or portable power supplies at the rear of the appliance.

### **⚠ WARNING!**

Do not, under any circumstances, cut, remove, or bypass the grounding prong (A). Always use the power cord with a three-prong grounded plug and grounding type wall receptacle.

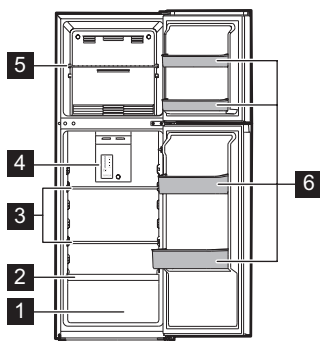


## 2. FEATURES

### **▶ IMPORTANT**

\*Features may vary by model.  
Accessories are available for your appliance and may be purchased at [Frigidaire.com](http://Frigidaire.com) or by calling toll-free 1-800-374-4432.

### 2.1 Product overview



- 1** Crisper
- 2** Crisper Cover
- 3** Full Shelves
- 4** Refrigerator Control
- 5** Freezer Shelf
- 6** Fixed Door Bins

## 3. INSTALLATION

This User Manual provides general installation and operating instructions for

your model. We recommend using a service or kitchen contracting professional

to install your appliance. Use the appliance only as instructed in this User Manual. Before starting the appliance, follow these important first steps.

### 3.1 ✓ Installation Checklist

#### Doors

- Refrigerator door seals completely to the cabinet on all sides
- Freezer door is level from side to side across the top

#### Leveling

- Appliance is level side-to-side and tilted 1/4" (6 mm) front-to-back
- Cabinet is setting solid on all corners
- Anti-tip bracket set in front on both sides

#### Electrical Power

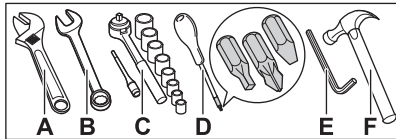
- House power is turned on
- Appliance is plugged in

#### Final Checks

- Shipping material is removed
- Refrigerator and freezer temperatures are set
- Registration card is sent in

### 3.2 Tools necessary

These tools are necessary at different stages of the installation process:



- A. Adjustable Wrench
- B. Fixed Wrench: 5/16"
- C. Socket Wrench: Set
- D. Screwdriver: Multi-bit with #2 Square Bit and Flat Head
- E. 6 mm Allen Wrench
- F. Hammer (some models)

### 3.3 Cleaning the appliance

#### IMPORTANT

Remove tape and glue residue from surfaces before turning the appliance on. Rub a small amount of liquid dish soap over the adhesive with your fingers. Rinse with warm water and dry with a soft cloth.

Do not use sharp instruments, rubbing alcohol, flammable fluids, or abrasive cleaners to remove tape or glue.

These products can damage the surface of the appliance.

After you remove all of the package materials, clean the inside of the appliance before using it. Refer to Care and Cleaning.

### 3.4 Moving the appliance

#### IMPORTANT

The appliance is heavy. When moving the appliance for cleaning or service, raise the anti-tip bracket (refer to Setting the anti-tip brackets). Be sure to cover the floor with cardboard or hardboard to avoid floor damage. Always pull the appliance straight out when moving it. Do not wiggle or "walk" the appliance when trying to move it as you could damage the floor.

### 3.5 Location

- If possible, place the appliance out of direct sunlight and away from the range, dishwasher, or other heat sources.
- The appliance must be installed on a floor that is level and strong enough to support a fully loaded appliance.

#### ⚠ WARNING!

This appliance is intended for use in residential household and similar interior applications such as:

- Kitchen / kitchenette
- Pantry room
- Basement
- Enclosed garage
- Other interior residential type environments

### **⚠ CAUTION!**

Do not install the appliance where the temperature will drop below 45°F (7°C) or rise above 110 °F (43 °C). The compressor will not be able to maintain proper temperatures inside the appliance.

### **🔧 NOTE**

Do not block the lower front of the appliance. Sufficient air circulation is essential for the proper operation of the appliance.

### **⚠ WARNING!**

Allow the following clearances for ease of installation, proper air circulation, plumbing, and electrical connections:

- Top 3/8" (9.5 mm)
- Sides 3/8" (9.5 mm)
- Back 1" (25.4 mm)

### **🔧 NOTE**

If you place the appliance with the door hinge side against a wall, you may have to allow additional space so the door can be open wider.

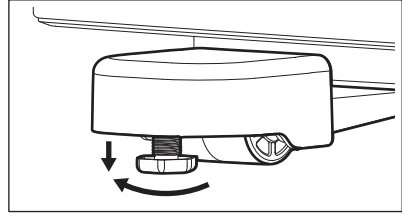
## **3.6 Cabinet leveling and door alignment**

Guidelines for final positioning of appliance:

- All 4 corners of the cabinet must rest firmly on the floor.
- The cabinet should be level at the front and rear.
- The sides should tilt 1/4" (6 mm) from front to back to ensure that doors close and seal properly.
- Align the doors with each other and level them.

## **3.7 Setting the anti-tip brackets**

The anti-tip brackets are located on the lower front corners of the cabinet. Lower the anti-tip brackets on each side clockwise until they contact the floor. Do not raise the cabinet.

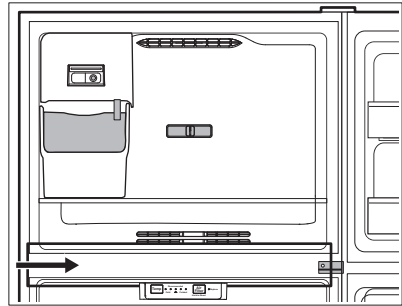


### **🔧 NOTE**

The anti-tip bracket must be installed according to the instructions in the User Manual. Failure to do so may result in injury.

## **3.8 Mullion**

When you first turn on the appliance, the mullion might be warm to the touch for the first 24 hours of operation. This is normal.



# **4. DOOR REMOVAL**

## 4.1 Door Removal/Reversal

### ⚠ CAUTION!

Before you begin, remove the electrical power cord from the wall outlet. Remove any food from door shelves.

### 🔧 NOTE

Reversing the door swing should be performed by a qualified person.

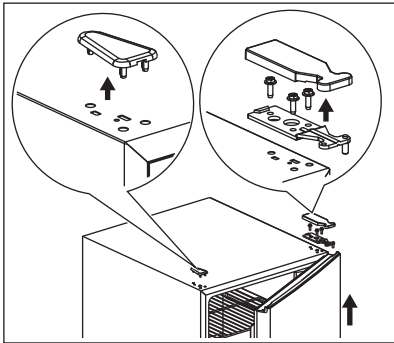
### 🔧 NOTE

Do not use an electric tool to unscrew and screw parts.

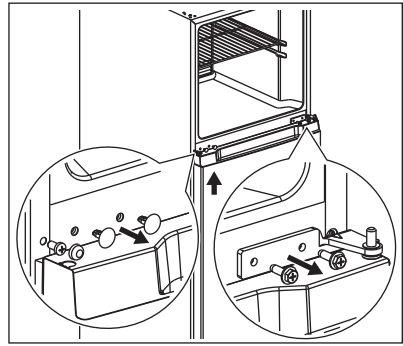
### ⚠ CAUTION!

If you place the appliance on its back or side, let it stand upright for 6 hours before you plug it in. This prevents damage to internal components.

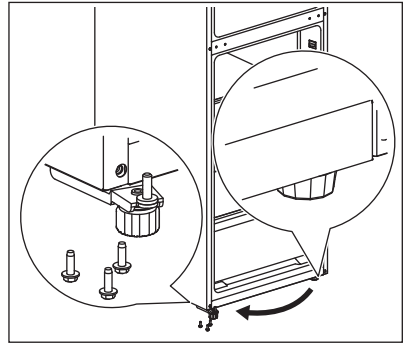
1. Fix the door using tape.
2. Remove the hole cover, upper hinge cover, screws, upper hinge, and hinge pin. Lift the freezer door to detach it from the cabinet.



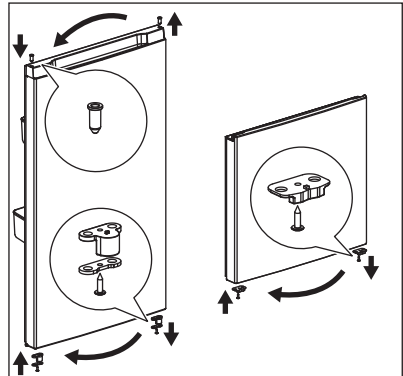
3. Unscrew the center hinge. Remove the screw covers and screw on the opposite side. Detach the refrigerator door from the cabinet.



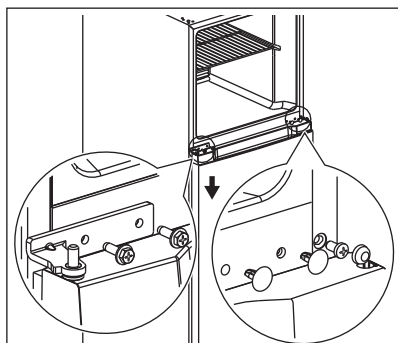
4. Remove the adjusting feet, and unscrew the lower hinge. Install them on the opposite sides.



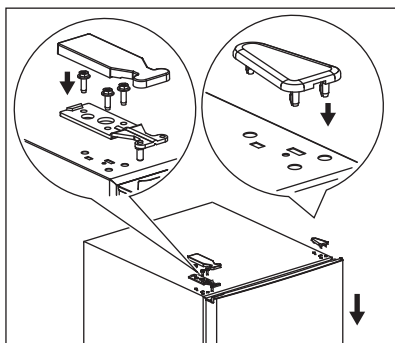
5. Unscrew the limit blocks from both doors, then install them on the other side. Install hinge pin on the upper cover of the refrigerator door.



6. Install refrigerator door on the lower hinge. Install the middle hinge and screw covers.



7. Install the freezer door on the middle hinge, then install the upper hinge, hinge cover and hole cover.



## 5. CONTROLS AND SETTINGS

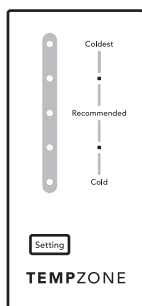
### 5.1 Cool down period

To ensure safe food storage, allow the appliance to operate with the doors closed for at least 8 hours before loading it with food.

#### **NOTE**

When first turning the appliance on, adjust the control to Recommended. After 24 hours, adjust the controls as needed.

### 5.2 Refrigerator Temperature Control



#### Temperature adjustment

Adjust the temperature gradually: adjust in small increments, allowing the temperature to stabilize.

- For colder temperatures, press the Setting button to change the temperature setting toward Coldest.
- For warmer temperatures, press the Setting button to change the temperature setting toward Cold.

#### **NOTE**

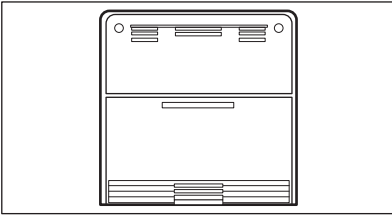
Pressing the Temp button scrolls through the 5 temperature settings toward the coldest setting, and then loop back to the least coldest setting.

Adjusting the refrigerator control changes temperature in both compartments. The freezer control can be left at the factory preset (Recommended) or adjusted as desired.

To maintain temperatures, a fan circulates air in the refrigerator and freezer compartments. For good circulation, do not block cold air vents with food items.

## 6. STORAGE FEATURES

### 6.1 Air Vents



Do not place items in front of the air vents as this impacts the temperature performance.

### 6.2 Door Storage

Door bins, shelves, and racks conveniently store jars, bottles, and cans. You can quickly select frequently used items.

### 6.3 Door Bin

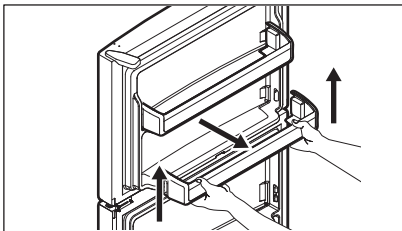
Door bins can accommodate gallon-sized plastic drink containers and economy-sized jars and containers.

To remove the door bin:

1. Lift up the bin.
2. Pull it straight out.

To install the door bin:

1. Push the bin back and down into the locking tabs.
2. The bin sides will lock into the tabs.



### 6.4 Shelf adjustment

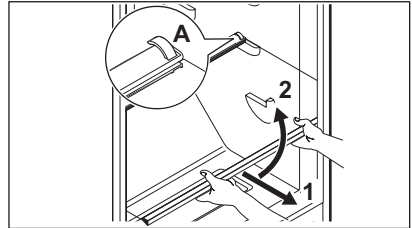
Adjust the shelves to suit individual needs. Before adjusting the shelves, remove all food.

To adjust shelves, slide the shelf by moving it forward and lifting it upward.

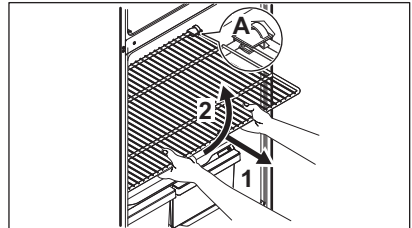
To replace shelves, insert the rear of the shelf into any pair of shelf rails and

carefully push the shelf back into position, making sure the shelf clips (A) go in the notch in the liner.

### Glass Shelf



### Wire Shelf



### ⚠ CAUTION!

When reinstalling the shelf, ensure the shelf clip is attached to the liner and holds it in place.

### ⚠ CAUTION!

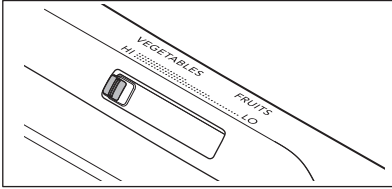
Do not clean glass shelves or covers with warm water when they are cold. Shelves and covers may break if exposed to sudden temperature changes or impact, such as bumping. Tempered glass is designed to shatter into many small, pebble-size pieces. This is normal. Glass shelves and covers are heavy. Use both hands when removing them to avoid dropping.

### 🔧 NOTE

To avoid personal injury or property damage, handle tempered glass shelves carefully. Shelves may break suddenly if nicked, scratched, or exposed to sudden temperature change.

## 6.5 Crisper Humidity Control (some models)

The crisper humidity control, present on the crisper drawers of some models, allows you to adjust the humidity within the crisper. This can extend the life of fresh vegetables that keep best in high humidity.



### IMPORTANT

Store vegetables and/or fruit in the crisper drawers.

### NOTE

Leafy vegetables keep best when stored with the humidity control set on high humidity, or in a drawer without a humidity control. This keeps incoming air to a minimum and maintains maximum moisture content. Store non-leafy vegetables and fruits still in their skins at the low humidity setting.

## 7. NORMAL OPERATING SOUNDS

### 7.1 Understanding the sounds you may hear

Your new, high-efficiency appliance may introduce unfamiliar sounds. These sounds normally indicate your appliance is operating correctly. Some surfaces on floors, walls, and kitchen cabinets may make these sounds more noticeable.

### NOTE

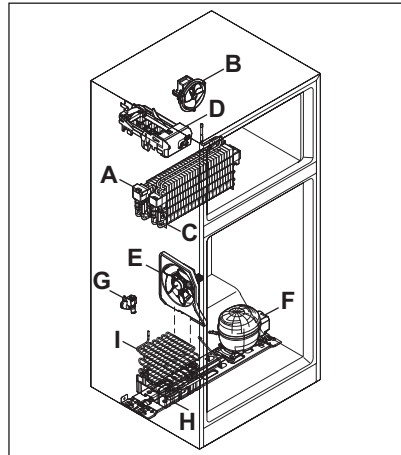
Energy efficient foam in your appliance is not a sound insulator.

Following is a list of major components in your appliance and the sounds they can cause:

- A. Evaporator. Refrigerant through the evaporator may create a boiling or gurgling sound.
- B. Evaporator fan. You may hear air being forced through the refrigerator by the evaporator fan.
- C. Defrost heater. During defrost cycles, water dripping onto the defrost heater may cause a hissing or sizzling sound. After defrosting, a popping sound may occur.
- D. Condenser fan. You may hear air being forced through the condenser.
- E. Compressor. Modern, high-efficiency compressors run much faster than previous models. The compressor may

have a noticeable hum or pulsating sound during operation.

- F. Drain pan (not removable). You may hear water dripping into the drain pan during the defrost cycle.
- G. Condenser. May create minimal sounds from forced air.



### NOTE

During automatic defrost cycle, a red glow in the back wall vents of your freezer compartment is normal.

## 8. CARE AND CLEANING

### 8.1 Protecting your investment

Keeping your appliance clean maintains its appearance and prevents odor build-up. Wipe up any spills immediately and clean the freezer and fresh food compartments at least twice a year. When cleaning, take the following precautions:

- Never use chloride or cleaners with bleach to clean stainless steel.
- Do not wash any removable parts in a dishwasher.
- Always unplug the electrical power cord from the wall outlet before cleaning.
- Do not remove the serial plate. Removal of your serial plate voids your warranty.
- Remove adhesive labels by hand. Do not use razor blades or other sharp instruments which can scratch the appliance surface.

Do not use abrasive cleaners such as window sprays, scouring cleansers, brushes, flammable fluids, cleaning waxes, concentrated detergents, bleaches or cleansers containing petroleum products on plastic parts, interior doors, gaskets or cabinet liners. Do not use paper towels, metallic scouring pads, or other abrasive cleaning materials or strong alkaline solutions.

Refer to the guide below for more details on caring and cleaning specific areas of your appliance.

#### NOTE

If you set your temperature controls to turn off cooling, power to lights and other electrical components will continue until you unplug the power cord from the wall outlet.

#### CAUTION!

Pull the appliance straight out to move it. Shifting it from side to side may damage flooring. Be careful not to move the appliance beyond the plumbing connections.

#### IMPORTANT

If you store or move your appliance in freezing temperatures, be sure to completely drain the water supply system. Failure to do so could result in water leaks when the appliance is put back into service. Contact a service representative to perform this operation.

### 8.2 Care & Cleaning Tips

Part	What to use	Tips and precautions
Interior and door liners	<ul style="list-style-type: none"><li>• Soap and water</li><li>• Baking soda and water</li></ul>	Use 2 tablespoons of baking soda in 1 quart of warm water. Be sure to wring excess water out of sponge or cloth before cleaning around controls, light bulb or any electrical part.
Door gaskets	Soap and water	Wipe gaskets with a clean soft cloth.
Drawers and bins	Soap and water	Use a soft cloth to clean drawer runners and tracks.
Glass shelves	<ul style="list-style-type: none"><li>• Soap and water</li><li>• Glass cleaner</li><li>• Mild liquid sprays</li></ul>	Allow glass to warm to room temperature before immersing in warm water.
Exterior	<ul style="list-style-type: none"><li>• Soap and water</li></ul>	Never use chloride or cleaners with bleach to clean stainless steel. Always clean, wipe and dry with the grain to prevent scratching. Wash the rest of the cabinet with warm water and mild liquid detergent. Rinse well, and wipe dry with a clean soft cloth.

Part	What to use	Tips and precautions
Replacing LED bulbs	<ol style="list-style-type: none"> <li>1. Unplug the appliance.</li> <li>2. Wear gloves.</li> <li>3. Remove light cover.</li> <li>4. Replace old bulb.</li> <li>5. Replace light cover.</li> <li>6. Plug in the appliance.</li> </ol>	<b>Caution:</b> Wear gloves when replacing LED light bulbs to avoid getting cut. Use same wattage when replacing bulb. Use only a 5-watt or less AC LED light bulb.

## 9. TROUBLESHOOTING

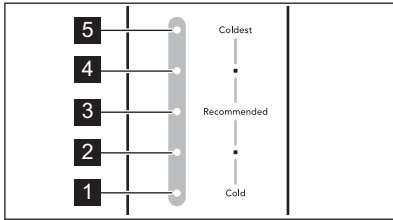
Let us help you troubleshoot your concern! This section will help you with common issues. If you need us, visit our website, chat with an agent, or call us. We may be able to help you avoid a service visit. If you do need service, we can get that started for you! Visit [Frigidaire.com](http://Frigidaire.com) or call toll-free 1-800-374-4432.

### 9.1 Common occurrences

Refrigerator does not run.	<ul style="list-style-type: none"> <li>• Ensure the plug is tightly pushed into an electrical outlet.</li> <li>• Check/replace the fuse with a 15amp time-delay fuse. Reset the circuit breaker.</li> <li>• The refrigerator control is turned to OFF.</li> <li>• Refrigerator may be in defrost cycle. Wait 20 minutes and check again.</li> </ul>
Freezer temperature is colder than preferred. Refrigerator temperature is satisfactory.	Set the freezer control to a warmer setting until the freezer temperature is satisfactory. Allow 24 hours for the temperature to stabilize.
Refrigerator temperature is too cold. Freezer temperature is satisfactory.	Set the refrigerator control to a warmer setting. Allow 24 hours for the temperature to stabilize. Then check the freezer temperature and adjust as needed.
Freezer temperature is warmer than preferred. Refrigerator temperature is satisfactory.	Set the freezer control to a colder setting until the temperature is satisfactory. Allow 24 hours for the temperature to stabilize.
Refrigerator temperature is too warm. Freezer temperature is satisfactory.	Set the refrigerator control to a colder setting. Allow 24 hours for temperature to stabilize. Then check refrigerator temperature and adjust as needed.
The appliance is noisy or vibrates.	<ul style="list-style-type: none"> <li>• The cabinet is not level.</li> <li>• Floor is weak.</li> <li>• Refer to Normal Operating Sounds.</li> </ul>
Odors in the appliance.	<ul style="list-style-type: none"> <li>• The interior needs to be cleaned.</li> <li>• Cover or wrap the foods that produce odors.</li> </ul>
Cabinet light is not working.	<ul style="list-style-type: none"> <li>• Replace with only a 5Watt or less AC LED light bulb.</li> <li>• Ensure the plug is tightly pushed into an electrical outlet.</li> <li>• The light switch may be stuck. Push in the light switch, located on the refrigerator side wall, to release.</li> </ul>
Mullion is warm	Mullion may be warm to the touch for the first 24 hours of operation. This is normal.

## 9.2 Errors

The following error codes might appear on the display indicating the malfunction of the appliance. The refrigerator may operate despite the following errors.



Error	Description
Temperature indicators 1 and 2 flash.	Temperature sensor failure of refrigerator compartment.
Temperature indicators 1 and 3 flash.	Defrost temperature sensor failure of freezer compartment.
Temperature indicators 1 and 4 flash.	The ambient temperature sensor failure.

## 10. LIMITED WARRANTY

Your appliance is covered by a one year limited warranty. For one year from your date of delivery, Electrolux will pay all costs for repairing or replacing any parts of this appliance that prove to be defective in materials or workmanship when such appliance is installed, used and maintained in accordance with the provided instructions.

### Exclusions

This warranty does not cover the following:

1. Products with original serial numbers that have been removed, altered or cannot be readily determined.
2. Product that has been transferred from its original owner to another party or removed outside the USA or Canada.
3. Rust on the interior or exterior of the unit.
4. Products purchased "as-is" are not covered by this warranty.
5. Food loss due to any refrigerator or freezer failures.
6. Products used in a commercial setting.
7. Service calls which do not involve malfunction or defects in materials or workmanship, or for appliances not in ordinary household use or used other than in accordance with the provided instructions.
8. Service calls to correct the installation of your appliance or to instruct you how to use your appliance.
9. Expenses for making the appliance accessible for servicing, such as removal of trim, cupboards, shelves, etc., which are not a part of the

appliance when it is shipped from the factory.

10. Service calls to repair or replace appliance light bulbs, air filters, water filters, other consumables, or knobs, handles, or other cosmetic parts.
11. Surcharges including, but not limited to, any after hour, weekend, or holiday service calls, tolls, ferry trip charges, or mileage expense for service calls to remote areas, including the state of Alaska.
12. Damages to the finish of appliance or home incurred during transportation or installation, including but not limited to floors, cabinets, walls, etc.
13. Damages caused by: services performed by unauthorized service companies; use of parts other than genuine Electrolux parts or parts obtained from persons other than authorized service companies; or external causes such as abuse, misuse, inadequate power supply, accidents, fires, or acts of God.

### DISCLAIMER OF IMPLIED WARRANTIES; LIMITATION OF REMEDIES

CUSTOMER'S SOLE AND EXCLUSIVE REMEDY UNDER THIS LIMITED WARRANTY SHALL BE PRODUCT REPAIR OR REPLACEMENT AS PROVIDED HEREIN. CLAIMS BASED ON IMPLIED WARRANTIES, INCLUDING WARRANTIES OF MERCHANTABILITY OR FITNESS FOR A PARTICULAR PURPOSE, ARE LIMITED TO ONE YEAR OR THE SHORTEST PERIOD ALLOWED

BY LAW, BUT NOT LESS THAN ONE YEAR. ELECTROLUX SHALL NOT BE LIABLE FOR CONSEQUENTIAL OR INCIDENTAL DAMAGES SUCH AS PROPERTY DAMAGE AND INCIDENTAL EXPENSES RESULTING FROM ANY BREACH OF THIS WRITTEN LIMITED WARRANTY OR ANY IMPLIED WARRANTY. SOME STATES AND PROVINCES DO NOT ALLOW THE EXCLUSION OR LIMITATION OF INCIDENTAL OR CONSEQUENTIAL DAMAGES, OR LIMITATIONS ON THE DURATION OF IMPLIED WARRANTIES, SO THESE LIMITATIONS OR EXCLUSIONS MAY NOT APPLY TO YOU. THIS WRITTEN WARRANTY GIVES YOU SPECIFIC LEGAL RIGHTS. YOU MAY ALSO HAVE OTHER RIGHTS THAT VARY FROM STATE TO STATE.

**If You Need Service**

Keep your receipt, delivery slip, or some other appropriate payment record to establish the warranty period should service be required. If service is performed, it is in your best interest to obtain and keep all receipts. Service under this warranty must be obtained by contacting Electrolux at the addresses or phone numbers below.

This warranty only applies in the USA and Canada. In the USA, your appliance is warranted by Electrolux Major Appliances North America, a division of Electrolux Consumer Products, Inc. In Canada, your appliance is warranted by Electrolux Canada Corp. Electrolux authorizes no person to change or add to any obligations under this warranty. Obligations for service and parts under this warranty must be performed by Electrolux or an authorized service company. Product features or specifications as described or illustrated are subject to change without notice.

**USA**

**1-800-374-4432**

Frigidaire

10200 David Taylor Drive

Charlotte, NC 28262

**Canada**

**1-800-265-8352**

Electrolux Canada Corp.

5855 Terry Fox Way

Mississauga, Ontario, Canada L5V 3E4



