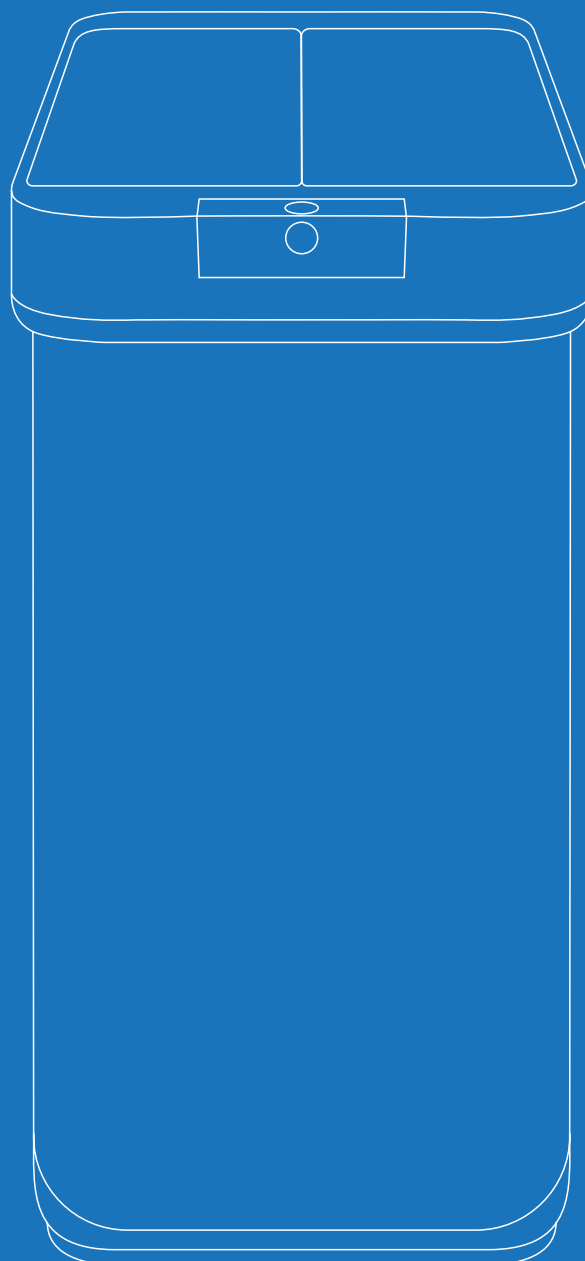


# TOUCHLESS TRASH CAN

home™  
homelabs.com

HME010231N

HME010233N



Before using your touchless trash can, please read this manual.





## TABLE OF CONTENTS

Important Safety Instructions	6
Parts Description	7
Operation	8
Warranty	9
Manufacturing Info	9
Warning	9
Contact Us	9



# Congratulations

on bringing home your new appliance!



Don't forget to register your product at [homelabs.com/reg](https://homelabs.com/reg) for updates, coupons, and other relevant information.

Although greatly appreciated, product registration is not required to activate any warranty.

# IMPORTANT SAFETY INSTRUCTIONS

---

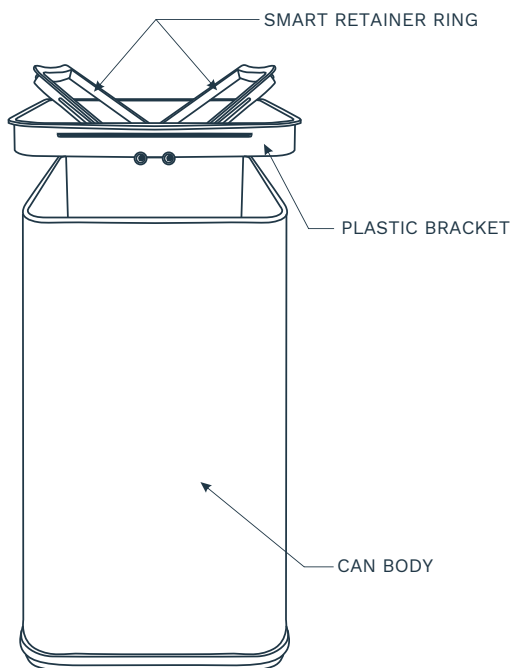
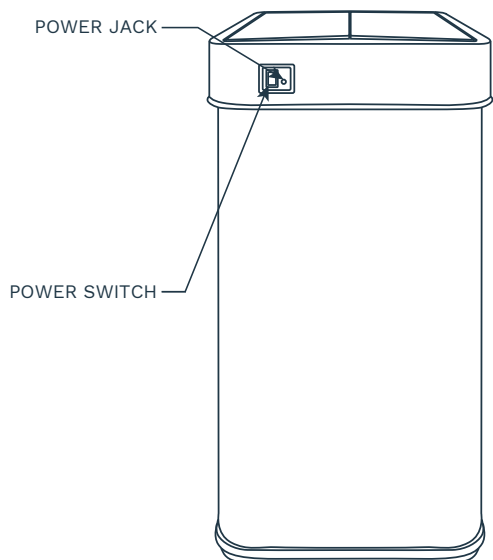
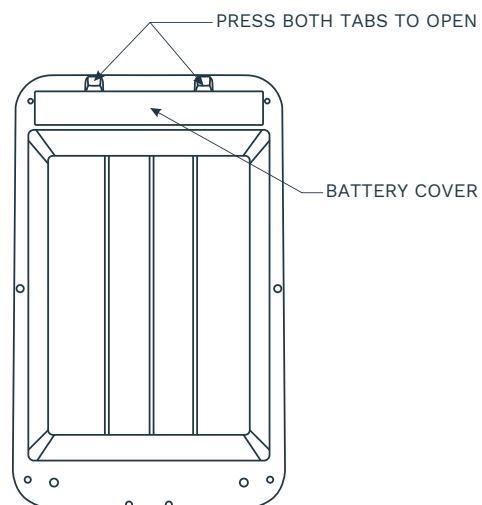
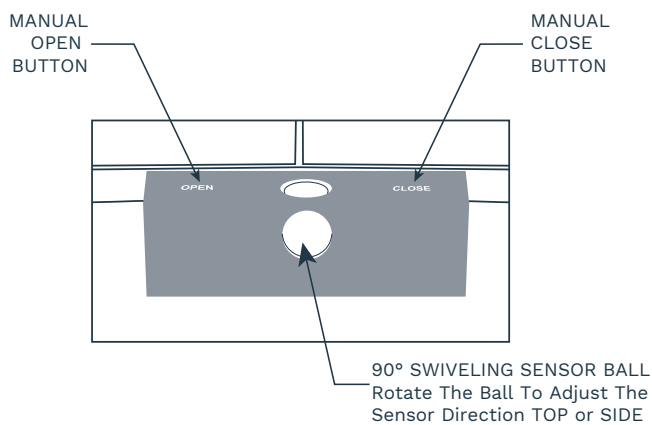
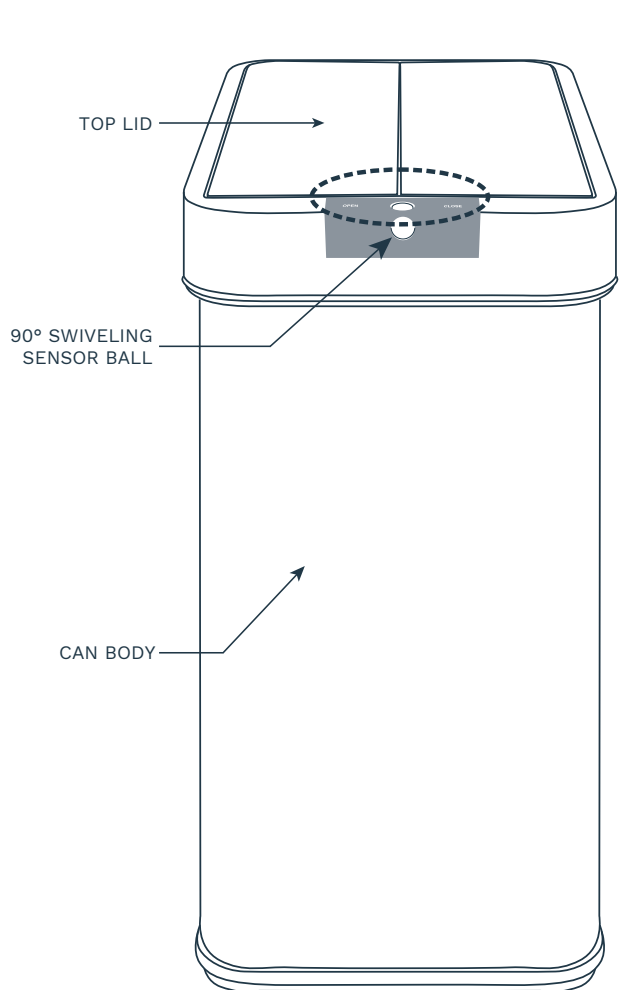
When using your hOme™ Touchless Trash Can (appliance), basic safety precautions should always be followed to reduce the risk of electrical shock, and/or injury to persons. Incorrect operation due to ignoring instructions may cause harm or damage.

- Use this appliance only for its intended purpose as described in this manual.
- Do not immerse the Lid Cover in water because it is equipped with electronic components. You can clean it with a damp cloth.
- Do not press or force the Lid of the Trash Can to close when it is open. Let it close by itself.
- To prevent battery leak that potentially causes damage to the electronic components, remove batteries if the unit is not intended to be used for a long time.
- Avoid direct sunlight onto the infrared Sensor Ball.
- Make sure there is enough room to operate the Trash Can without blocking the end of the Lid.
- Do not use solvents or other chemicals to clean.
- Only use hOmelabs power adapter model HME010246N with an output of 5.9V/500mA.
- Ensure the Sensor Ball is kept clean for normal function.
- Do not mix old and new batteries. Do not mix alkaline, standard (carbon-zinc), or rechargeable (ni-cad, ni-mh, etc) batteries.

**SAVE THESE INSTRUCTIONS**

For Indoor Use Only

# PARTS DESCRIPTION



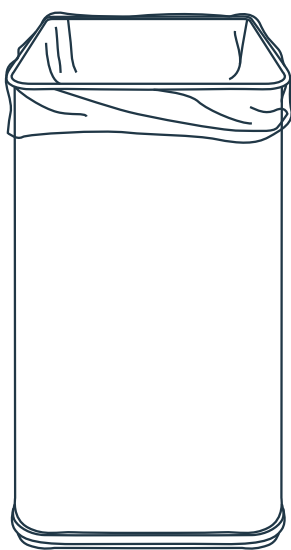
**OPERATING INSTRUCTIONS**

The Trash Can uses infrared technology. As your hand approaches the Trash Can (within 6 inches) the Infrared Sensor on the lid will work automatically to open the lid. After your hand moves away from the lid it will close automatically in about 6 seconds. The Lid will remain open if your hand is within 6 inches of the infrared sensor zone. There are 2 buttons on the front to open and close the lid manually.

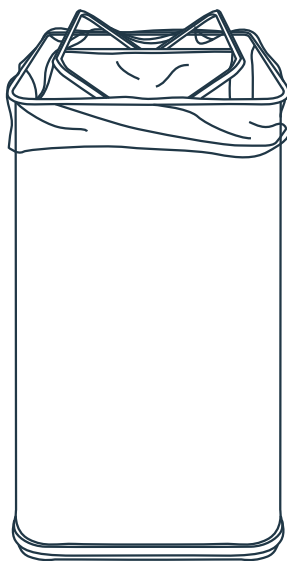
**OPERATING INSTRUCTIONS:**

- Remove the Lid Cover from the bin. Open the cover of the battery compartment located on the backside and insert four C Cell Batteries following the polarity marking on the cabinet. Close the battery cover.
- Insert the garbage bag through the smart Retainer Ring.
- Place the Lid Cover on top of the Can Body. Adjust the sensor direction UP or SIDE by rotating the Sensor Ball.
- Turn on the power switch at the back of the Lid Cover.
- A red indicator light will flash once. Then it flashes once every 5 seconds, indicating that the system is activated and ready.
- To open the lid in a touchless way, place your hand or any object about 6 inches above the Infrared Sensor on the front of the Lid Cover. The lid will remain open if it detects any objects within the Sensor Zone. It will close automatically in about 6 seconds after your hand or object moves away. The 6 indicator lights will light off one by one each second until the lid closes.
- To manually open the lid, press the Open button. The lid will open and remain open for about 6 minutes. The 6 indicator lights will light off one by one each minute until the lid closes. You can choose to press the Close button to force it close during the progress.
- Operation Indicator:
  - (1) The indicator light in the standby mode flashes once every 5 seconds.
  - (2) Under manual or automatic opening all 6 indicator lights will turn red at the same time.
  - (3) When the batteries are exhausted, the six indicator lights will repeatedly flash together every second.
- Depending on battery making and capacity, four new C Cell Alkaline batteries should last for around 3 months.
- To ensure normal operation, always keep the Sensor Ball clean.

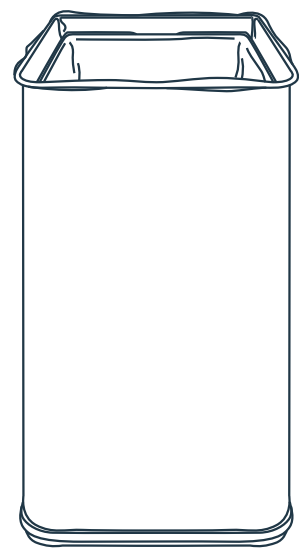
How the smart retainer ring works:



STEP 1: Place the garbage bag inside the Can Body, then wrap the top of bag over the top.



STEP 2: Place the plastic bracket on the top of the Can Body. The surplus will be folded up inside the can.



STEP 3: Pull up the smart ring and fix the bag on both sides.

## WARRANTY

---

hOme™ offers a limited two-year warranty (“warranty period”) on all of our products purchased new and unused from hOme Technologies, LLC or an authorized reseller, with an original proof of purchase and where a defect has arisen, wholly or substantially, as a result of faulty manufacture, parts or workmanship during the warranty period. The warranty does not apply where damage is caused by other factors, including but without limitation: (a) normal wear and tear; (b) abuse, mishandling, accident, or failure to follow operating instructions; (c) exposure to liquid or infiltration of foreign particles; (d) servicing or modifications of the product other than by hOme™; (e) commercial or non-indoor use.

The hOme™ warranty covers all costs related to restoring the proven defective product through repair or replacement of any defective part and necessary labor so that it conforms to its original specifications. A replacement product may be provided instead of repairing a defective product. hOme™’s exclusive obligation under this warranty is limited to such repair or replacement.

A receipt indicating the purchase date is required for any claim, so please keep all receipts in a safe place. We recommend that you register your product on our website, [homelabs.com/reg](http://homelabs.com/reg). Although greatly appreciated, the product registration is not required to activate any warranty and product registration does not eliminate the need for the original proof of purchase.

The warranty becomes void if attempts at repair are made by non-authorized third parties and/or if spare parts, other than those provided by hOme™, are used.

You may also arrange for service after the warranty expires at an additional cost.

These are our general terms for warranty service, but we always urge our customers to reach out to us with any issue, regardless of warranty terms. If you have an issue with a hOme™ product, please contact us at 1-800-898-3002, and we will do our best to resolve it for you.

This warranty gives you specific legal rights and you may have other legal rights, which vary from state to state, country to country, or province to province. The customer may assert any such rights at their sole discretion.

## MANUFACTURING INFO

---

This manual is to be used with all items with the model number

HME010231N  
HME010233N

## WARNING

---

Keep all plastic bags away from children.

## CONTACT US

---

 CHAT WITH US

[homelabs.com/chat](http://homelabs.com/chat)

 CALL US

1-(800)-898-3002

 EMAIL US

[help@homelabs.com](mailto:help@homelabs.com)



For Indoor Use Only

1-800-898-3002  
help@homelabs.com  
homelabs.com/help

© 2018 hOme Technologies, LLC  
37 East 18 Street, 7th Floor  
New York, NY 10003

All rights reserved. hOme™. Printed in China.

