

CRAFTSMAN®

INSTRUCTION MANUAL | GUIDE D'UTILISATION | MANUAL DE INSTRUCCIONES

**12 GALLON (45 Liter) OR 16 GALLON (60 Liter)
WET/DRY VAC WITH DETACHABLE BLOWER**

**ASPIRATEUR DE LIQUIDES ET DE POUSSIÈRES AVEC SOUFFLEUSE
AMOVIBLE DE 45 LITRES (12 Gallons) OU 60 LITRES (16 Gallons)**

**ASPIRADORA PARA MOJADO/SECO CON SOPLADOR DESPRENDIBLE
DE 45 LITROS (12 Galones) Ó 60 LITROS (16 Galones)**

MODEL NUMBER

**12 Gallon
(45 Liter)**

CMXEVBE176060

**16 Gallon
(60 Liter)**

CMXEVBE176070

NUMÉRO DE MODÈLE

**45 Litres
(12 Gallons)**

CMXEVBE176060

**60 Litres
(16 Gallons)**

CMXEVBE176070

NÚMERO DE MODELO

**45 Litros
(12 Galones)**

CMXEVBE176060

**60 Litros
(16 Galones)**

CMXEVBE176070



**IF YOU HAVE QUESTIONS OR COMMENTS, CONTACT US.
POUR TOUTE QUESTION OU TOUT COMMENTAIRE, NOUS CONTACTER.
SI TIENE DUDAS O COMENTARIOS, CONTÁCTENOS.**

1-888-331-4569

WWW.CRAFTSMAN.COM

Definitions: Safety Alert Symbols and Words

This instruction manual uses the following safety alert symbols and words to alert you to hazardous situations and your risk of personal injury or property damage.

⚠ DANGER: Indicates a hazardous situation which, if not avoided, will result in death or serious injury.

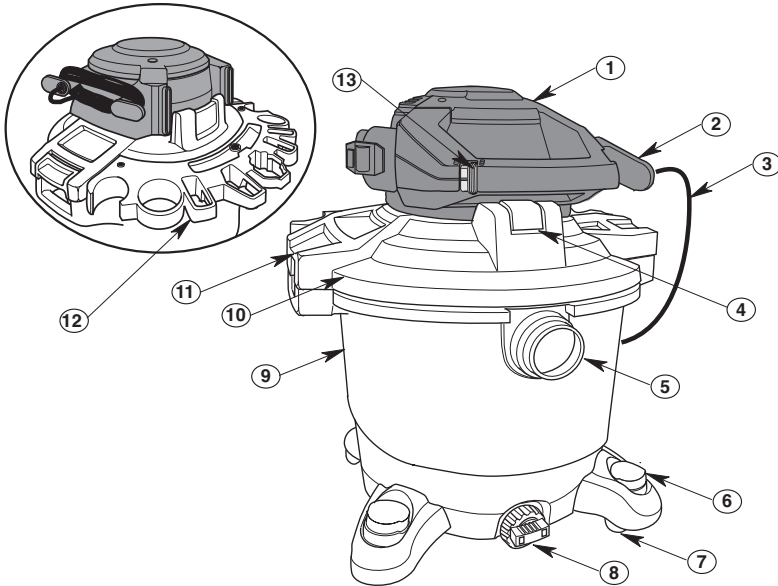
⚠ WARNING: Indicates a hazardous situation which, if not avoided, could result in death or serious injury.

⚠ CAUTION: Indicates a hazardous situation which, if not avoided, may result in minor or moderate injury.

⚠ (Used without word) Indicates a safety related message.

NOTICE: Indicates a practice not related to personal injury which, if not avoided, may result in property damage.

Fig. A



Components

- ① Detachable Blower
- ② Power Cord Tabs
- ③ Power Cord
- ④ Detachable Blower Latch
- ⑤ Inlet Port
- ⑥ Caster Foot w/Storage
- ⑦ Caster
- ⑧ Drain
- ⑨ Dust Drum
- ⑩ Powerhead Assembly
- ⑪ Latch
- ⑫ Accessory Storage
- ⑬ ON/OFF Switch

⚠ WARNING: Read all safety warnings and all instructions. Failure to follow the warnings and instructions may result in electric shock, fire and/or serious injury.

⚠ WARNING: Never modify the product or any part of it. Damage or personal injury could result.

⚠ WARNING: To reduce the risk of injury, read the instruction manual.

If you have any questions or comments about this or any product, call CRAFTSMAN toll free at: 1-888-331-4569.

IMPORTANT SAFETY INSTRUCTIONS

When using this Vac, always follow basic safety precautions including the following:

⚠ WARNING:

To reduce the risk of fire, electric shock, or injury:

- Read and understand this manual and all labels on the Vac before operating.
- Use only as described in this manual.
- Do not leave Vac running while unattended - you may fail to notice important signs indicating abnormal operation such as loss of suction, debris/liquid exiting exhaust, or abnormal motor noises. Immediately stop using Vac if you notice these signs.
- Do not leave Vac when plugged in. Unplug from outlet when not in use and before servicing.
- Sparks inside the motor can ignite flammable vapors or dust. To reduce the risk of fire or explosion, do not use near combustible liquids, gases, or dusts, such as gasoline or other fuels, lighter fluid, cleaners, oil-based paints, natural gas, coal dust, magnesium dust, grain dust, aluminum dust, or gun powder.
- Do not vacuum anything that is burning or smoking, such as cigarettes, matches, or hot ashes.
- To avoid the risk of self-ignition of drum debris, empty drum after each use. Combustible materials, such as rags or saw dust containing stain or urethane, can be sources of such overheating.
- Do not vacuum drywall dust, cold fireplace ash, or other fine dusts with standard filter. These may pass through the filter and be exhausted back into the air. Use a fine dust filter instead.
- To reduce the risk of inhaling toxic vapors, do not vacuum or use near toxic or hazardous materials.
- This Wet/Dry Vac is not intended for use by persons (including children) with reduced physical, sensory, or mental capabilities, or lack of experience and knowledge, unless they have been given supervision or instruction concerning use of the appliance by a person responsible for their safety.
- To reduce the risk of electric shock, do not expose to rain or allow liquid to enter motor compartment. Store indoors.
- Do not allow to be used as a toy. Close attention is necessary when used by or near children.
- Do not use with a torn filter or without the filter installed except when vacuuming liquids as described in this manual. Dry debris ingested by the impeller may damage the motor or be exhausted into the air.
- Turn off Vac before unplugging.
- To reduce the risk of injury from accidental starting, unplug power cord before changing or cleaning filter.
- Do not unplug by pulling on cord. To unplug, grasp the plug, not the cord.
- Do not use with damaged cord, plug, or other parts. If your Vac is not working as it should, has missing parts, has been dropped, damaged, left outdoors, or dropped into water, call customer service at 1-888-331-4569 (Mexico 001-881-331-4569).
- Do not handle plug, switch, or the Vac with wet hands.
- Do not pull or carry by cord, use cord as handle, close a door on cord, or pull cord around sharp edges or corners. Do not run Vac over cord. Keep cord away from heated surfaces.
- Use only extension cords that are rated for outdoor use. Extension cords in poor condition or too small in wire size can pose fire and shock hazards. To reduce the risk of these hazards, be sure the cord is in good condition and that liquid does not contact the connection. Do not use an extension cord with conductors smaller than 1,3 mm² (16 AWG) in size.
- This Vac is double-insulated, eliminating the need for a separate grounding system. Use only identical replacement parts. Read the instructions for Servicing Double-Insulated Wet/Dry Vacs.
- Do not put any object into ventilation openings. Do not vacuum with any ventilation openings blocked; keep free of dust, lint, hair, or anything that may reduce air flow.
- Keep hair, loose clothing, fingers, and all parts of body away from openings and moving parts.
- To reduce the risk of falls, use extra care when cleaning on stairs.
- To reduce the risk of back injury or falls, do not lift a Vac that is heavy with liquid or debris. Partially empty by scooping debris or draining liquid.
- To reduce the risk of personal injury or damage to Vac, use only CRAFTSMAN recommended accessories.
- When using as a detached blower:
 - Direct air discharge only at work area.
 - Turn unit off before setting on ground or releasing grasp from handle.
 - Do not set down in liquid; electric shock could occur.
 - Do not direct air at bystanders.
 - Keep children away when blowing.
 - Do not use blower for any job except blowing dirt and debris.
 - Do not use as a sprayer.
- To reduce the risk of eye injury, wear safety eyewear. The operation of any utility Vac or blower can result in foreign objects being blown into the eyes, which can result in severe eye damage.
- To reduce the risk of being struck by, or pulled down by, a rolling Vac, block the casters when using on any uneven or sloped surface.

⚠ CAUTION:

- To reduce the risk of hearing damage, wear ear protectors when using for an extended time or in a noisy area.
- For dusty operations, wear dust mask.
- Static shocks are common when the relative humidity of the air is low. Vacuuming fine debris with your Vac can deposit static charge on the hose or Vac. To reduce the frequency of static shocks in your home or when using this Vac, add moisture to the air with a humidifier.

⚠ WARNING:

When using blower: Wear safety goggles labeled "ANSI Z87.1" on the package. Turn unit off before setting on ground or releasing grasp of handle. Electric shock could occur if used on wet surfaces. Direct tool discharge only at work area. Do not direct discharge at bystanders. Keep children away.

Observe the following warnings that appear on the motor housing of your Vac:



DOUBLE INSULATED - GROUNDING NOT REQUIRED. WHEN SERVICING USE ONLY IDENTICAL REPLACEMENT PARTS.

⚠ WARNING:

- For your own safety, read and understand Instruction Manual.
- Do not run unattended.
- Do not pick up hot ashes, coals, flammable, combustible / self-igniting, toxic, or other hazardous materials.
- Do not use around explosive liquids or vapors.

⚠ WARNING:

To reduce the risk of electric shock - do not expose to rain - store indoors.

FREE WARNING LABEL REPLACEMENT: If your warning labels become illegible or are missing, call **1-888-331-4569** for a free replacement.

SAVE THESE INSTRUCTIONS

INTRODUCTION

This Wet/Dry Vac is intended for household use. It may be used for vacuuming of wet or dry media and may be used as a Blower.

Read this Instruction Manual to familiarize yourself with the product features and to understand the specific usage of your new Wet/Dry Vac.

TABLE OF CONTENTS

Section	Page	Section	Page
Important Safety Instructions	2-4	Muffler / Diffuser	12
Introduction	4	Blowing Feature	12
Carton Contents	5	Using the Detachable Blower for "Blowing"	13
Installation	6-9	Maintenance	14-17
Caster Foot Assembly	6	Detachable Blower Intake	14
Caster Assembly	6	Filter	15
Accessory Storage Assembly	7	Removal and Installation of Qwik Lock Filter™	15
Powerhead Assembly / Removal	7	Filter Bag	16
Detachable Blower Position	8	Filter Bag Installation	16
Insert Hose	9	Filter Bag Removal	16
Accessory Storage	9	Filter Cleaning	17
Cord Storage	9	Cleaning a Dry Filter	17
Hose Storage	9	Cleaning a Wet Filter	17
Operation	10-13	Cleaning and Disinfecting the Wet/Dry Vac	17
Polarized Plug	10	Casters	17
Power Switch	10	Storage	17
Vacuuming Dry Materials	11	Service / Repair Parts	18-19
Vacuuming Liquids	11	Servicing Double Insulated Wet/Dry Vacs	18
Emptying the Drum	11	Warranty	21
Moving the Wet/Dry Vac	12		

CARTON CONTENTS (Fig. B)

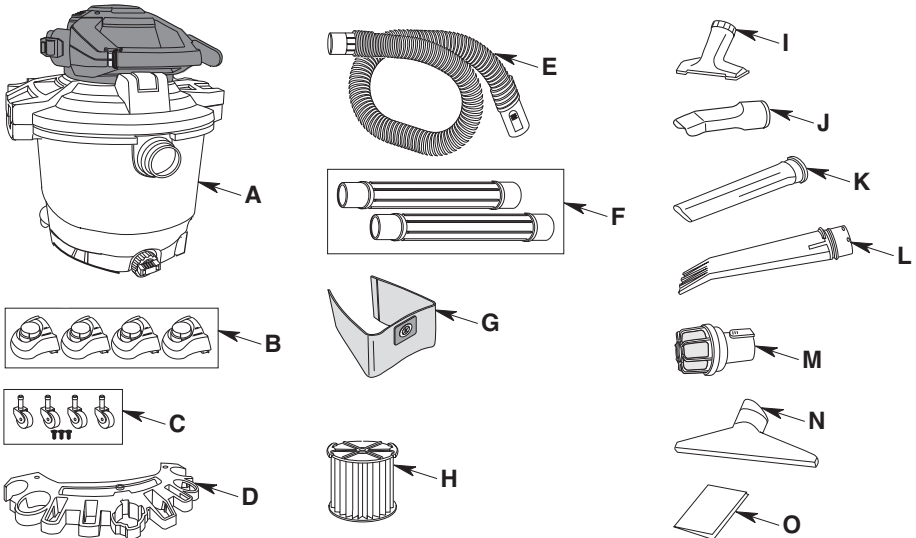
Key	Description	CMXEVB176060 12 Gallon (45 Liter)	CMXEVB176070 16 Gallon (60 Liter)
A	Vac Assembly	12 Gallon (45 Liter)	16 Gallon (60 Liter)
B	Caster Feet	4	4
C	Single Wheel Casters Hardware: Three #10 x 3/4" (19 mm) Accessory Storage Screws	4	4
D	Accessory Storage	1	1
E	Hose	1	1
F	Extension Wands	2	2
G	Filter Bag	1	1
H*	Qwik Lock™ Filter	1	1
I	Utility Nozzle	1	1
J	Car Nozzle	1	1
K	Crevice Tool	1	1
L	Blower Nozzle	1	1
M	Muffler / Diffuser	Not Included	1
N	Wet Nozzle	Not Included	1
O	Instruction Manual	1	1

* Items may come preassembled.

Remove entire contents of carton. Check each item against the Carton Contents List.

If any parts are damaged or missing, immediately call customer service at 1-888-331-4569 (Mexico 001-881-331-4569).

Fig. B



Tools Required:



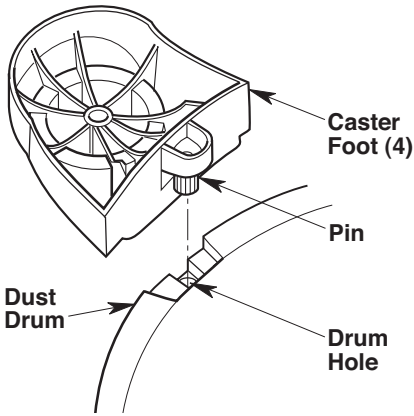
Phillips Screwdriver

INSTALLATION

Caster Foot Assembly (Fig. C)

1. Remove the Powerhead Assembly from the Dust Drum and set aside.
2. Turn the Dust Drum upside down on the floor.
3. Insert the Caster Feet into the bottom of Drum, as shown (4 places).
4. Push on the Caster Foot until the Foot is flush with bottom of the Dust Drum.

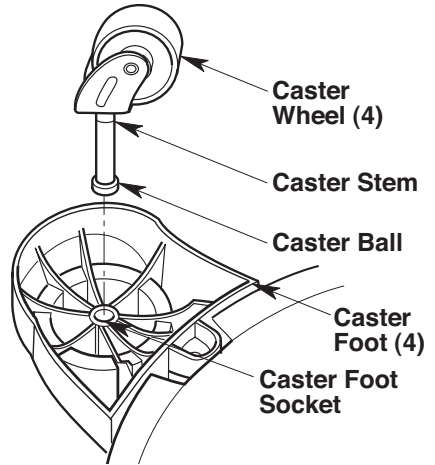
Fig. C



Caster Assembly (Fig. D)

1. Insert the Caster Stem into the Socket of the Caster Foot, as shown (4 places).
2. Push on the Caster until the Ball on the Caster Stem is inserted all the way into the Socket. You will hear the Ball snap into the Socket and the Caster will swivel easily when positioning is correct.
3. Turn the Drum upright.

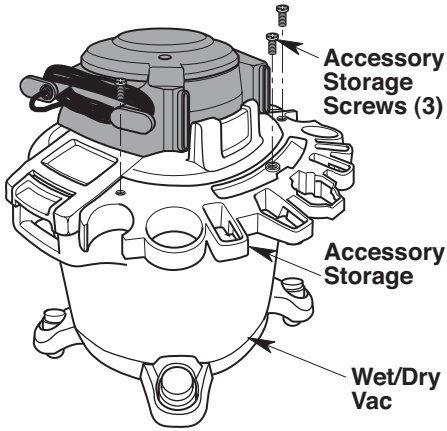
Fig. D



Accessory Storage Assembly (Fig. E)

1. Position the Accessory Storage onto the Powerhead Assembly at the rear of the unit.
2. Align with the Three Holes of the Accessory Storage with the Three Holes of the Powerhead Assembly. Secure the Accessory Storage using the Three #10 x 3/4" (19 mm) Screws, provided.

Fig. E



Powerhead Assembly / Removal (Fig. F)

To Reattach Powerhead Assembly to Drum:

1. Line up the Detachable Blower Assembly with the Vac Inlet Port located on the front of the Dust Drum.

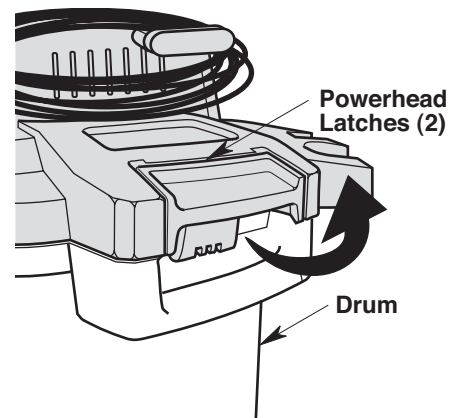
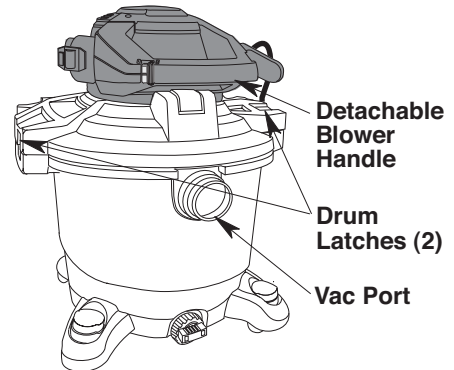
NOTE: The Powerhead Assembly must be aligned with Drum for proper attachment.

2. Place Powerhead Assembly on top of Drum so that Drum Latches on Powerhead Assembly rest on Drum Handles, as shown.
3. Press down on Drum Latches to secure Powerhead Assembly to Drum. Pull up slightly on Top Handle to ensure that Powerhead Assembly is attached to Dust Drum.

To Remove the Powerhead Assembly from the Drum:

Lift up on the Two Latches and remove from Drum.

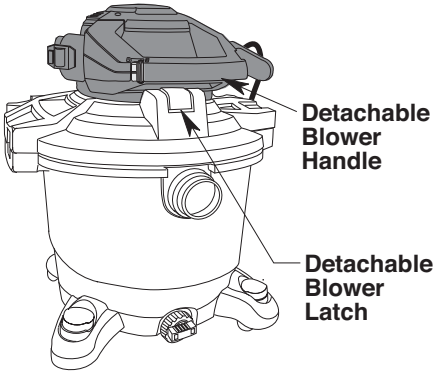
Fig. F



Detachable Blower Position

1. Fig G: To remove the Detachable Blower from the Powerhead Assembly, press down on the Detachable Blower latch under the Detachable Blower Handle and lift the Blower off the Powerhead Assembly of the Vac.

Fig. G



2. Fig. H: To replace the Detachable Blower onto the Powerhead Assembly, position the Detachable Blower above the Indented Area of the Powerhead Assembly and align with the Rear Guides. Rotate the Detachable Blower down until the travel of the Unit stops.

Fig. H

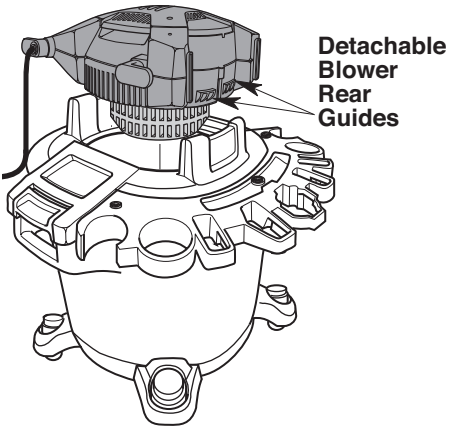
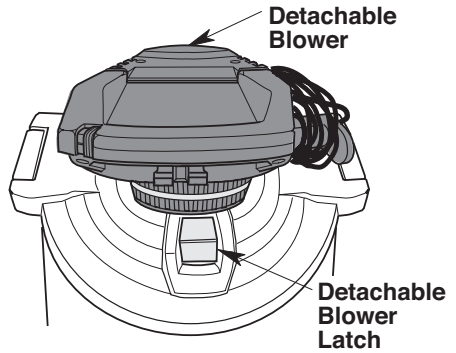
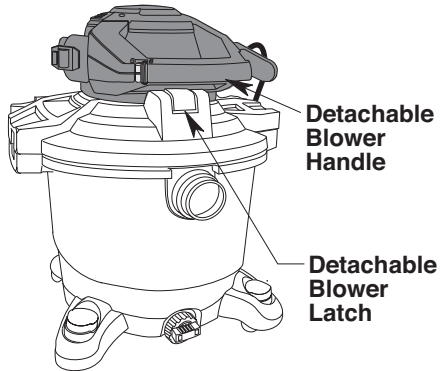


Fig. I



3. Fig. J: Lightly press down on the Detachable Blower Handle of the Blower until you hear the "snap" of the Detachable Blower Latch engaging the Detachable Blower. The Detachable Blower is now latched to the Powerhead Assembly.
4. Your new Wet/Dry Vac is ready for use.

Fig. J

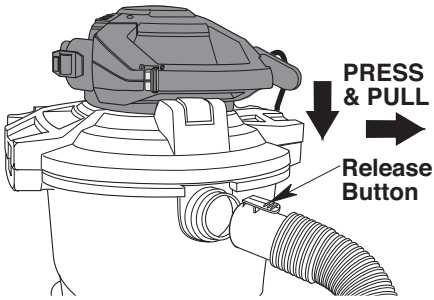


Insert Hose (Fig. K)

Insert the Locking End of the Hose into the Vac Inlet Port. The Hose should snap into place.

To Remove the Hose from the Vac, press the Release Button in the Hose Assembly and pull the Hose out of the Vac Inlet Port, as shown.

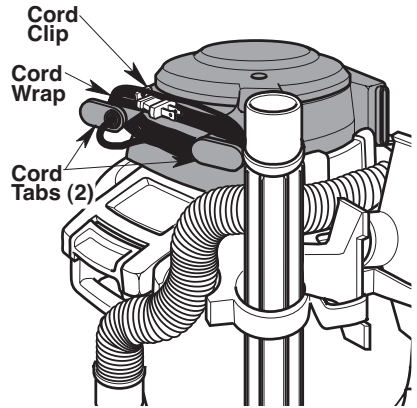
Fig. K



Cord Storage (Fig. M)

Wrap the Power Cord around the Cord Tabs located on the Detachable Blower. Snap the Power Cord into the Cord Clip to secure.

Fig. M

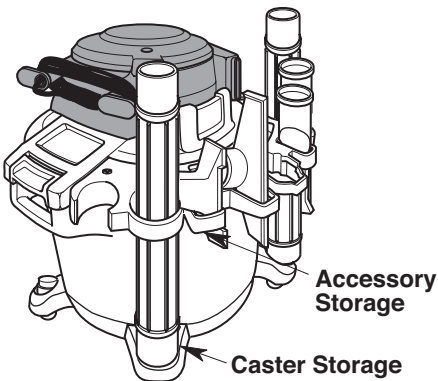


Accessory Storage (Fig. L)

Your Craftsman Wet/Dry Vac Accessory Storage is located at the rear of the Vac.

There are Nine Storage Locations on the Accessory Storage and One Storage Location on each Caster Foot.

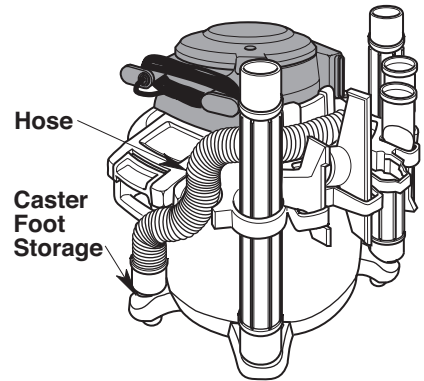
Fig. L



Hose Storage (Fig. N)

The Hose may be stored by wrapping it around the Powerhead Assembly and positioning the Hose through the Accessory Storage Unit and securing the Hose End into the Caster Foot Storage.

Fig. N



OPERATION

⚠ WARNING:

To reduce the risk of fire, explosion, or damage to Vac:

- Do not leave Vac running while unattended - you may fail to notice important signs indicating abnormal operation such as loss of suction, debris/liquid exiting the exhaust, or abnormal motor noises. Immediately stop using Vac if you notice these signs.
- Do not leave Vac plugged in when not in use.
- Do not continue running when float has cut off suction.
- Sparks inside the motor can ignite airborne flammables. Do not operate Vac near flammable liquids or in areas with flammable gases, vapors, or explosive/airborne dust. Flammable liquids, gases, and vapors include: lighter fluid, solvent-type cleaners, oil-based paints, gasoline, alcohol, and aerosol sprays. Explosive dusts include: coal, magnesium, aluminum, grain, and gun powder.
- Do not vacuum up explosive dusts, flammable liquids, or hot ashes.
- Do not leave sawdust or rags with stain or polyurethane residue inside Vac. Empty drum after picking up these potentially self-heating materials.

⚠ WARNING:

To reduce the risk of electric shock or injury:

- Keep electrical cords in good condition. Do not use worn, bare, or frayed cords because they can cause electrical shock.
- Operating equipment at low voltage can cause it to overheat. Using an excessively long extension cord can cause the cord to overheat.
- Do not expose to rain or allow liquid to enter motor compartment. Store indoors.
- Do not handle plug, switch, or Vac with wet hands.
- Unplug Vac before servicing. If your Vac is not working as it should, has missing parts, has been dropped, damaged, left outdoors, or dropped into water, call customer service at 1-888-331-4569 (Mexico 001-881-331-4569).
- When using an extension cord, use only outdoor-rated cords that are in good condition. Do not allow the connection to come into contact with liquid.

⚠ CAUTION:

To reduce the risk of hearing damage, wear ear protectors when using the Vac / Blower for an extended time or in a noisy area.

Polarized Plug

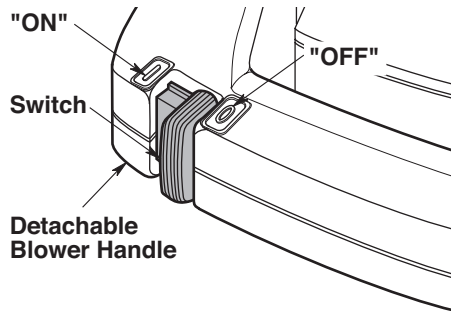
To reduce the risk of electric shock, this Vac has a Polarized Plug (one blade is wider than the other). This Plug will fit in a Polarized Outlet only one way. If the Plug does not fit fully in the Outlet, reverse the Plug. If it still does not fit, contact a qualified electrician to install the proper Outlet. Do not change the Plug in any way.

Power Switch (Fig. 0)

After you Plug the Power Cord into the Outlet, turn the Unit on by pushing the Switch from position "O" to position "I". The symbols used on the Switch Actuator are International "On & Off" Symbols:



Fig. 0



Vacuuming Dry Materials

1. The Filter must always be in correct position to reduce the risk of leaks and possible damage to Vac.
2. When using your Vac to pick up very fine dust, it will be necessary for you to empty the Vac Drum and clean the Filter at more frequent intervals to maintain peak Vac performance. Quick Lock™ Filter plus a Filter Bag is recommended for improved Fine Dust Vac performance.

NOTE: A dry Filter is necessary to pick up dry material. If you use your Vac to pick up dust when the Filter is wet, the Filter will clog quickly and be very difficult to clean.

Vacuuming Liquids

⚠ WARNING:

Do not operate without filter cage and float, as they prevent liquid from entering the impeller and damaging the motor. For dry material pick-up, do not operate without the filter in place to reduce the risk of damage to the motor.

⚠ WARNING:

To reduce the risk of fire or explosion, do not vacuum flammable or combustible liquids, gases or dust.

1. When picking up small amounts of liquid the Filter may be left in place.
2. When picking up large amounts of liquid we recommend that the Filter be removed. If the Filter is not removed, it will become saturated and misting may appear in the exhaust.
3. After using the Vac to pick up liquids, the Filter must be dried to reduce the risk of possible mildew and damage to the Filter.
4. When the liquid in the Drum reaches a predetermined level, the Float mechanism will rise automatically to cut off air-flow. When this happens, turn off the Vac, unplug the Power Cord, and empty the Drum. You will know that the Float has risen because Vac airflow ceases and the Motor noise will become higher in pitch, due to increased Motor Speed.

IMPORTANT: To reduce the risk of damage to the Vac do not run Motor with Float in raised position.

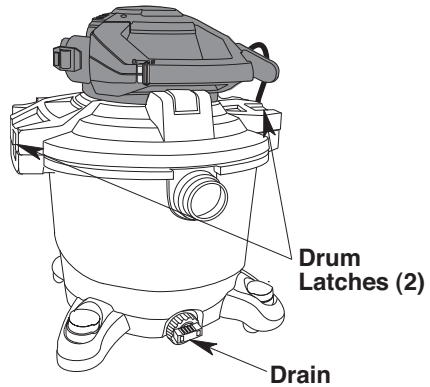
Emptying the Drum (Fig. P)

1. Remove the Powerhead Assembly. Pull Latches to release from the Drum.
2. Lift the Powerhead Assembly up and away from the Drum.
3. Lay Powerhead Assembly upside down on a clean area while emptying the Drum.
4. Dump the Drum contents into the proper waste disposal container.
5. The Vac comes equipped with a Drain, simply unscrew the Drain Cap and lift the opposite side slightly to empty the Drum.

⚠ WARNING:

To reduce the risk of back injury or falls, do not lift a Vac heavy with liquid or debris. Scoop or drain enough contents out to make the Vac light enough to lift comfortably.

Fig. P



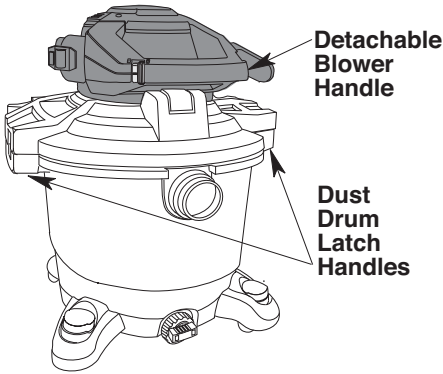
Moving the Wet/Dry Vac (Fig. Q)

NOTE: Do not pick up the Powerhead Assembly by lifting on the Detachable Blower Handle.

Should it become necessary to pick the Vac up to move it, use the Dust Drum Latch Handles. This will ensure that the Detachable Blower and the Powerhead Assembly will not separate during removal of the Powerhead Assembly.

To maneuver the Vac, use the Detachable Blower Handle Only.

Fig. Q

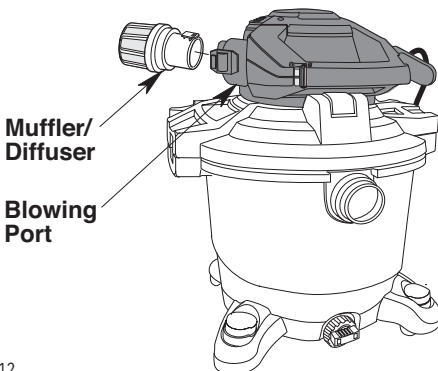


Muffler / Diffuser 16 Gallon (60 Liter) CMXEVB176070 (Fig. R)

Insert the Locking End of the Muffler / Diffuser (included with Model Number CMXEVB176070) into the Blowing Port of the Vac. The Muffler/Diffuser should snap into place.

The Muffler / Diffuser suppresses motor noise and diffuses the exhaust air and can be used while vacuuming indoors or outdoors.

Fig. R



Blowing Feature (Fig. S)

Your Wet/Dry Vac has a "Detachable Blower." It has the capability to be used as a dedicated blower for yard work, patio cleanup, and garage applications to blow dust and other debris.

1. Familiarize yourself with the detachable blower portion of your Vac.
2. Remove the detachable blower of your Vac by pressing down on the detachable blower latch, just beneath the blower handle. This latch holds the blower to the powerhead assembly.
3. Lift the detachable blower by the handle to detach from the Vac.

⚠️ WARNING:

Always wear safety eyewear complying with ANSI Z87.1 (or in Canada, CSA Z94.3) before using as a blower.

⚠️ WARNING:

To reduce the risk of injury to bystanders, keep them clear of blowing debris.

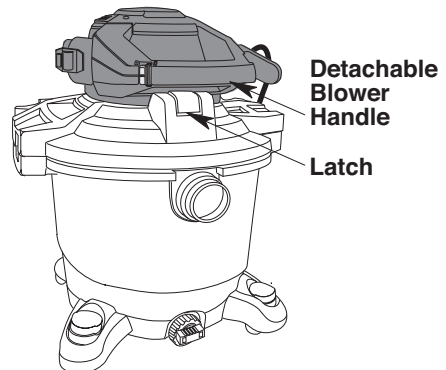
⚠️ CAUTION:

Wear a dust mask if blowing creates dust which might be inhaled.

⚠️ CAUTION:

To reduce the risk of hearing damage, wear ear protectors when using the Vac / Blower for an extended time or in a noisy area.

Fig. S

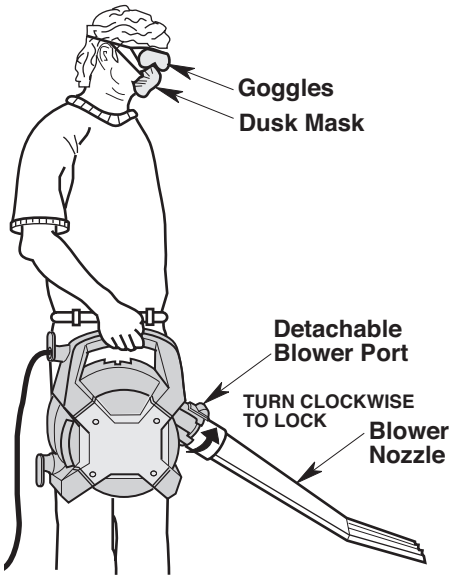


Using the Detachable Blower for "Blowing"

Two suggested methods of using the Blower are:

1. Fig. T: Insert the Blower Nozzle Round End into the Detachable Blower Port and turn clockwise to lock.

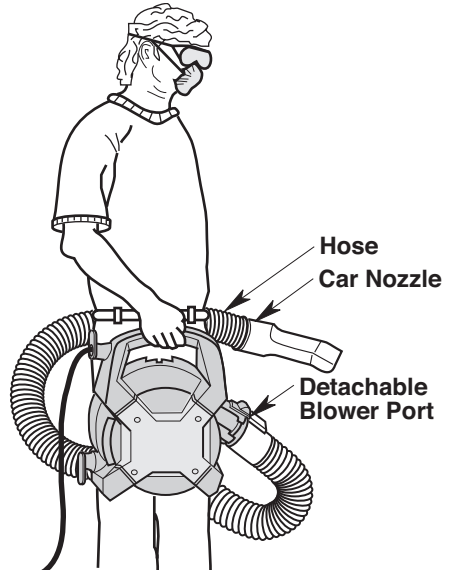
Fig. T



2. Fig. U: The Wet/Dry Vac may also be used for blowing using the seven-foot Hose supplied with the Wet/Dry Vac. Install the Vac Hose Push Button End in the Detachable Blower Port.

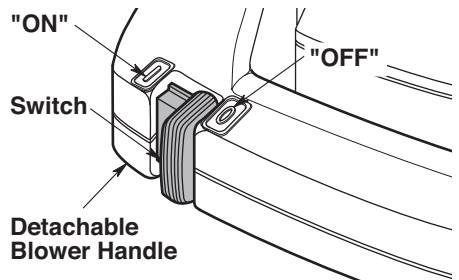
For added control, an Extension Wand and / or Car Nozzle can be added to the opposite end of the Hose. The unit is ready for blowing applications.

Fig. U



3. Fig. V: Turn the Blower "ON" by sliding the Switch in the Handle of the Blower to the "I" position.

Fig. V



MAINTENANCE

Detachable Blower Intake (Fig. W)

⚠ WARNING:

To reduce the risk of injury from accidental starting, unplug power cord before changing or cleaning filter or foam pad.

After using the Detachable Blower of your Wet/Dry Vac, examine the bottom of the Blower for dust and debris. Check to see if the Intake to the Blower has debris stuck to the plastic vents and Foam Pad.

To clean the Foam Pad under the Intake Shield of the Detachable Blower:

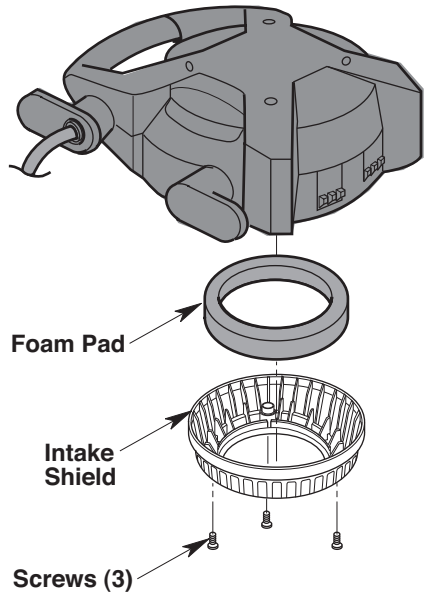
1. Remove and retain the Three Screws holding the Intake Shield.
2. Lift the Intake Shield from the Vac.
3. Remove the Foam Pad from the Intake Shield.
4. Clean the Foam Pad in warm soapy water or brush debris away. Allow Foam Pad to dry.
5. Examine Foam Pad for damage or wear. If it needs to be replaced, the replacement Foam Pad is listed in the Service Parts Section of this manual.
6. Reassemble Foam Pad into the Intake Shield.
7. Reinstall the Intake Shield using the Three Screws that were removed in Step 1.

The Unit is ready for use.

⚠ WARNING:

Do not operate without installing the intake shield.

Fig. W



Filter

⚠ WARNING:

To reduce the risk of injury from accidental starting, unplug power cord before changing or cleaning filter.

NOTE: This Filter is made of high quality paper designed to stop very small particles of dust. The Filter can be used for wet or dry pick up. Handle the Filter carefully when removing to install or clean. Creases in the Filter pleats may occur from installation but creases will not affect the performance of the Filter.

Removal and Installation of the Qwik Lock™ Filter (Fig. X)

IMPORTANT: To reduce the risk of damage to the Blower Wheel and Motor, always reinstall the Filter before using the Vac for dry material pickup.

Filter Removal

1. Hold the Filter Tabs of the Qwik Lock™ Filter in each hand.
2. With one thumb on the Qwik Lock™ Stud, which protrudes through the integrated Filter Plate, lift up on the Filter Tabs while pushing down on the Stud.
3. This action will cause the Filter to release from the Filter Cage. Slide Filter off Cage.

⚠ WARNING:

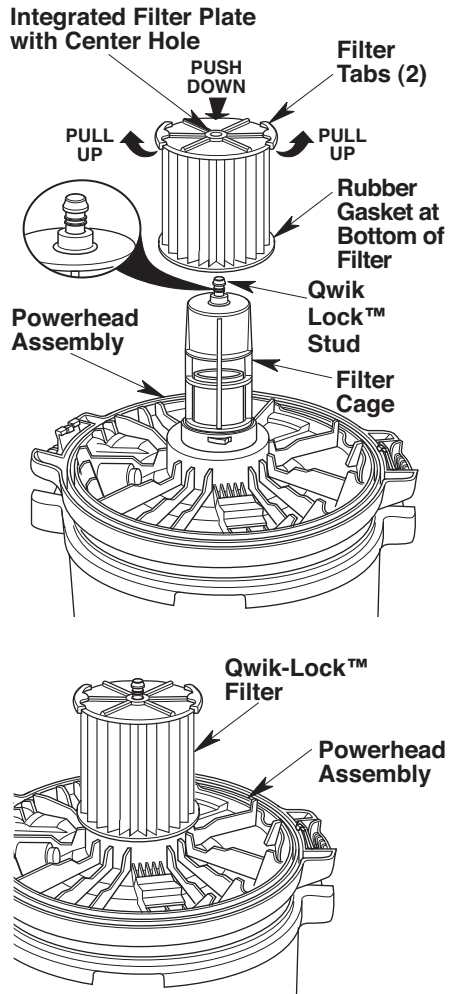
Do not operate without a filter cage and float, as they prevent liquid from entering the impeller and damaging the motor.

Filter Installation

1. Carefully slide the Qwik Lock™ Filter over the Filter Cage and press down on the outside edge of the Filter until the Rubber Gasket on the bottom of the Filter seats securely around the base of the Filter Cage and against the Powerhead Assembly.
2. Align the small Center Hole in the top of the Filter over the Qwik Lock™ Stud on the Filter Cage. Press firmly on top of the Filter near the Stud to allow the Filter to snap over the Ball on the end of the Stud. The Filter is now attached.

NOTE: Failure to properly seat the bottom Gasket could result in debris bypassing the Filter.

Fig. X



Filter Bag

⚠ WARNING:

To avoid health hazards from vapors or dust, do not vacuum toxic, carcinogenic or other hazardous materials such as asbestos, arsenic, barium, beryllium, lead, pesticides or other health endangering materials.

⚠ CAUTION:

To avoid spilled debris, when picking up heavy or sharp material, monitor bag volume and do not overfill.

Filter Bag Installation (Fig. Y)

A Filter Bag may be used in place of or in addition to the Qwik Lock™ Cartridge Filter.

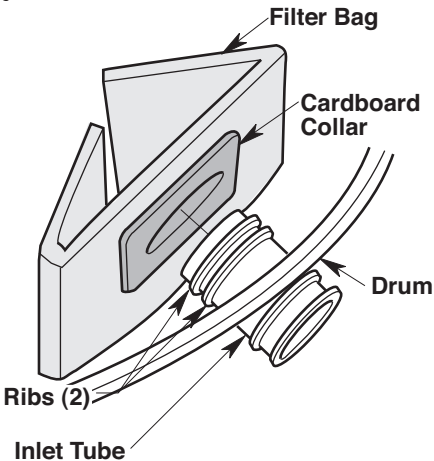
Replacement Filter Bags are available:

NOTE: See Repair Parts List for Part Number.

NOTE: When picking up dry debris a Filter Bag or Cartridge Filter must be properly installed.

1. Filter Bag to be used to pick up dry debris only.
2. Correct positioning of Cardboard Collar is required to assure proper seal.
3. Locate two Ribs on Inlet Tube, inside Drum.
4. Slide Cardboard Collar onto Inlet Tube and position Cardboard Collar between the two Ribs.
5. With the Cardboard Collar securely installed, unfold and position Filter Bag inside Drum, as shown.

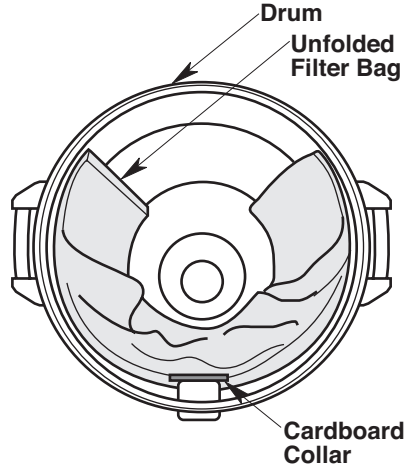
Fig. Y



Filter Bag Removal (Fig. Z)

1. Slide Cardboard Collar toward center of Vac Drum.
2. Remove Filter Bag from Vac Drum and discard.
3. Install new Filter Bag.

Fig. Z



Filter Cleaning

Your Filter should be cleaned often to maintain peak Vac performance.

Cleaning A Dry Filter

1. Some removal of dry debris can be accomplished without removing the Filter from the Vac. Slap your hand on top of the Powerhead Assembly while the Vac is turned off.
2. For best cleaning results due to accumulated dust, clean the Filter in an open area. Cleaning SHOULD be done outdoors and not in the living quarters.
3. After Filter removal from Vac, remove the dry debris by gently tapping Filter against the inside wall of your Dust Drum. The debris will loosen and fall.
4. For thorough cleaning of dry Filter with fine dust (no debris), run water through it as described under "Cleaning A Wet Filter".

Cleaning A Wet Filter

After Filter is removed, run water through the Filter from a hose or spigot. Take care that water pressure from the hose is not strong enough to damage Filter.

IMPORTANT: After cleaning, check the Filter for tears or small holes. Tears and holes in the Filter can cause debris and dust to be blown from the Vac. Do not use a Filter with holes or tears. Replace immediately.

Allow the Filter to dry before reinstalling and storing the Vac or picking up dry debris.

Cleaning and Disinfecting the

Wet/Dry Vac

To keep your Wet/Dry Vac looking its best, clean the outside with a cloth dampened with warm water and mild soap.

To clean the Drum:

1. Dump debris out.
2. Wash Drum thoroughly with warm water and mild soap.
3. Wipe out with dry cloth.

Before prolonged storage or as needed (i.e., waste water pick up) the Drum should be disinfected.

To disinfect the Drum:

1. Pour 1 Gallon (4 L) of water and 1 Teaspoon (5 mL) chlorine bleach into the Drum.
2. Let solution stand for 20 minutes, carefully swishing every few minutes, making sure to wet all inside surfaces of the Drum.
3. Empty Drum after 20 minutes. Rinse with water until bleach smell is gone. Allow Drum to dry completely before sealing the Motor on the Drum.

Casters

If your Casters are noisy, you may put a drop of oil on the Roller Shaft to make them quieter.

Storage

Before storing your Vac, the Drum should be emptied and cleaned. The Power Cord should be wrapped around the Cord Wrap and the Hose should be stored as described in this manual. Accessories should be kept in the same area as the Vac so they can be readily available. The Vac should be stored indoors.

WARNING:

To assure product SAFETY and RELIABILITY, any other maintenance, repairs and adjustments should be performed by Authorized Service Centers, always using CRAFTSMAN replacement parts.

SERVICE / REPAIR PARTS

**12 Gallon (45 Liter) Wet/Dry Vac
with Detachable Blower
Model Number CMXEVB176060**


OR

**16 Gallon (60 Liter) Wet/Dry Vac
with Detachable Blower
Model Number CMXEVB176070**

Electrical Rating: 120 V~ 10 A 60 Hz

Electrical Rating: 120 V~ 12 A 60 Hz

⚠ WARNING: SERVICING OF DOUBLE-INSULATED WET/DRY VAC

In a double-insulated Wet/Dry Vac, two systems of insulation are provided instead of grounding. No grounding means is provided on a double-insulated appliance, nor should a means for grounding be added. Servicing a double-insulated Wet/Dry Vac requires extreme care and knowledge of the system, and should be done only by qualified service personnel. Replacement parts for a double-insulated Wet/Dry Vac must be identical to the parts they replace. Your double-insulated Wet/Dry Vac is marked with the words "DOUBLE INSULATED" and the symbol  (square within a square) may also be marked on the appliance.

To reduce the risk of injury, unplug power cord before servicing the Wet/Dry Vac.

Key No.	12 Gallon (45 Liter) Part No.	16 Gallon (60 Liter) Part No.	Description
1	510588	510588	Blower Assembly
2	73180	73180	Switch
3	833177	833177	Cord Swivel
4	829718-7	829718-7	Power Cord w/Plug
5	833167	833167	Foam Pad
6	818961	818961	Spacer
7	832804-1	818413	Blower Wheel
8	315534-1	315534-1	Washer
9	826817	826817	Nut-Hex Flange
10	841224	841224	Lid
11	826338-1	826338-1	Blower Latch
12	510729	510729-1	Lid Assembly
13	820563-7	820563-7	Screw, Pan Head #10 x 3/4" (19 mm)
14	509488	509488	Float
15	833521-1	833521-1	Filter Cage
16	CMXZVBE38754	CMXZVBE38754	Qwik Lock™ Filter
17	841265	841265	Drum Latch
18	510708	510709	Drum (Includes Key No. 19)
19	73185	73185	Drain Cap
20	828460	828460	Caster Foot
21	73102	73102	Caster Wheel (Qty. 1)
22	510589	510589	Accessory Storage w/Hardware
23	CMXZVBE38763	CMXZVBE38763	Hose
24	833169	833169	Blower Nozzle
25	3CMXZVBE38630	CMXZVBE38630	Utility Nozzle
26	CMXZVBE38620	CMXZVBE38620	Car Nozzle
27	CMXZVBE37035	CMXZVBE37035	Crevice Tool
28	CMXZVBE38735	CMXZVBE38749	Filter Bag
29	CMXZVBE38606	CMXZVBE38606	Extension Wands
30	-	CMXZVBE38660	Muffler / Diffuser
31	-	CMXZVBE38621	Wet Nozzle
32	SP7092	SP7092	Instruction Manual

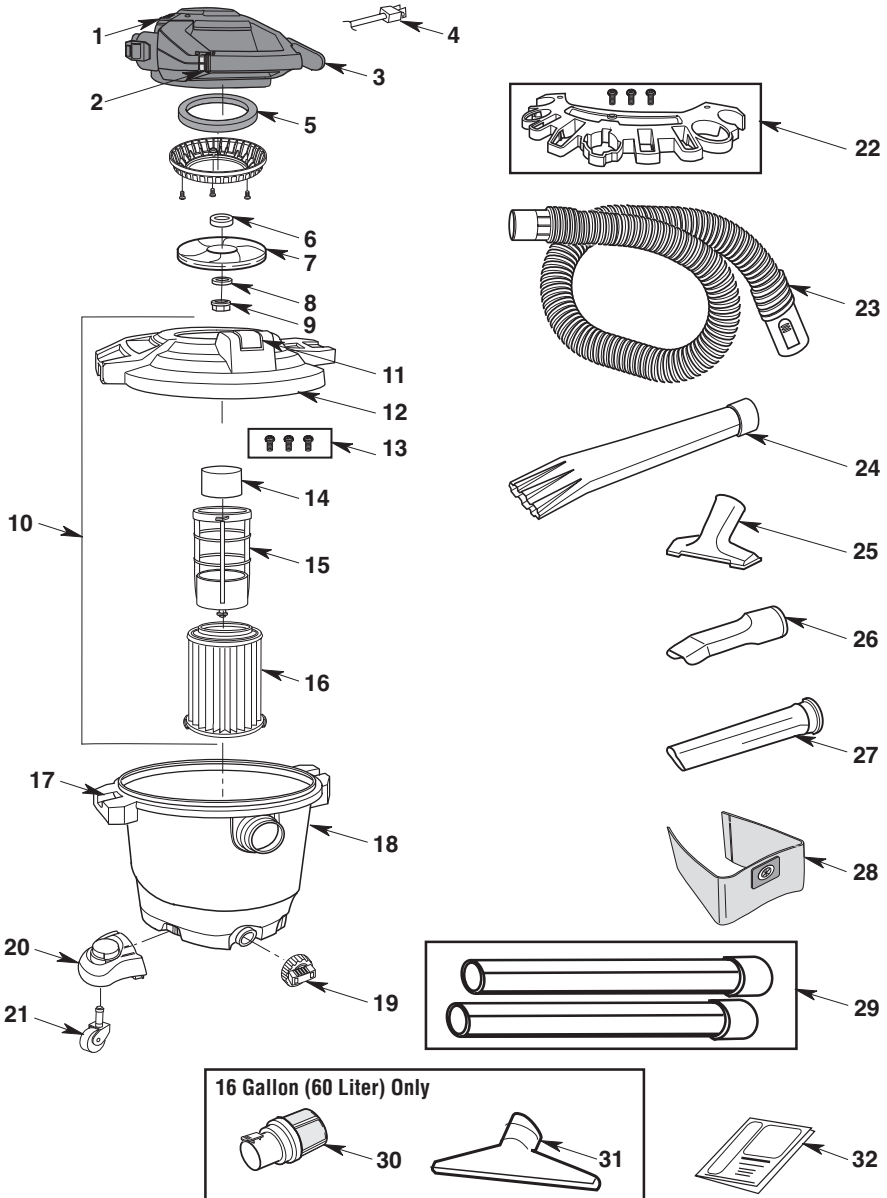
**12 Gallon (45 Liter) Wet/Dry Vac
with Detachable Blower
Model Number CMXEVB176060**

**16 Gallon (60 Liter) Wet/Dry Vac
with Detachable Blower
Model Number CMXEVB176070**

⚠ WARNING: To reduce the risk of injury, unplug power cord before servicing the Wet/Dry Vac.

⚠ WARNING: All disassembly and repairs should be performed by qualified personnel.

Always order by Part Number - Not by Key Number



NOTES

CRAFTSMAN[®] LIMITED WARRANTY - 3 YEARS

This limited warranty is provided by Emerson Tool Company, a division of Emerson Electric Co., (“We” or “Our” or “Us”) to the original consumer owner (“Customer” or “You” or “Your”) of the CRAFTSMAN product with which this limited warranty is provided (the “CRAFTSMAN Product”).

What is Covered

We warrant to You that your CRAFTSMAN Product will be free from defects in materials and workmanship when used under normal conditions in accordance with the terms of the Instruction Manual provided to You with the CRAFTSMAN Product, subject to the exclusions described below, for a period of three years commencing on the date of purchase by You (the “Warranty Period”). This limited warranty terminates if the original purchaser transfers the CRAFTSMAN Product to any other person or entity.

What is not Covered

This limited warranty does not extend to and expressly excludes:

- Normal wear and tear and/or replacement attachments or accessories, including, without limitation, power cords, hoses, filters, and other attachments or accessories that may be offered for sale by Us for use with the CRAFTSMAN Product.
- Damage or burnout of the CRAFTSMAN Product motor resulting from failure to clear a blockage occurring during the normal course of use.
- Loss or damage to the CRAFTSMAN Product resulting from conditions beyond Our control including without limitation, misuse, accident, abuse, neglect, negligence (other than Our’s), overuse beyond intended capacity as set forth in the Instruction Manual, or modifications or alterations made by anyone other than Us.
- Loss or damage to the CRAFTSMAN Product resulting from failure to use the CRAFTSMAN Product in accordance with the written instructions, guidelines, and terms and conditions set forth in the Instruction Manual.
- TO THE EXTENT PERMITTED BY LAW, IN NO EVENT SHALL WE BE LIABLE FOR ANY INCIDENTAL, SPECIAL, INDIRECT, OR CONSEQUENTIAL DAMAGES, INCLUDING ANY ECONOMIC LOSS, WHETHER RESULTING FROM NONPERFORMANCE, USE, MISUSE OR INABILITY TO USE THE CRAFTSMAN PRODUCT OR FOR THE NEGLIGENCE OF ETC.

How to Obtain Service

US and Canada - To obtain warranty benefits contact us toll free at 1-888-331-4569 (Mexico 001-881-331-4569). We will direct you to the nearest service center to review your vacuum for inspection, repairs or replacement.

Mexico - To obtain warranty benefits contact us toll free at 001-881-331-4569. We will direct you to the nearest service center to review your vacuum for inspection, repairs or replacement.

No Other Express Warranty Applies

This limited warranty is the sole and exclusive warranty provided to You. No other express warranty, written or verbal, applies including, WITHOUT LIMITATION, WARRANTIES OF MERCHANTABILITY OR FITNESS FOR A PARTICULAR PURPOSE. No employee, agent, dealer, or other person is authorized to alter this limited warranty or make any other warranty on behalf of Us.

What We will do to Correct Problems

YOUR SOLE AND EXCLUSIVE REMEDY UNDER THIS LIMITED WARRANTY SHALL BE LIMITED TO REPAIR, REPLACEMENT, REFUND OF THE CRAFTSMAN PRODUCT.

After You have contacted CRAFTSMAN Product Customer Service Department, We will initiate warranty proceedings, including a physical inspection, subject to the exclusions and the Warranty Period stated herein, to determine whether to repair or replace the CRAFTSMAN Product or provide You with a refund.

The decision to repair or replace your CRAFTSMAN Product or to provide a refund is at Our sole discretion. Repair or replacements provided to You by ETC are at no cost to You if covered under this limited warranty.

If we are unable to provide You with a suitable repaired or replacement CRAFTSMAN Product, we will provide you with a refund equal to the purchase price of your CRAFTSMAN Product or a credit to be used toward the purchase of a new CRAFTSMAN Product.

In the event of any dispute between CUSTOMER AND US, either party may choose to resolve the dispute by binding arbitration. THIS MEANS IF EITHER CUSTOMER OR US CHOOSE BINDING ARBITRATION, NEITHER PARTY SHALL HAVE THE RIGHT TO LITIGATE SUCH CLAIM IN COURT OR HAVE A JURY TRIAL. DISCOVERY AND APPEAL RIGHTS ARE LIMITED.

This limited warranty gives you specific legal rights, and you may also have other rights, which vary from State to State. Some states do not allow the exclusion of incidental or consequential damages, so the above limitation may not apply.

CRAFTSMAN®

is a registered trademark of Stanley Black & Decker, Inc., used under license.
es una marca registrada de Stanley Black & Decker, Inc., utilizada bajo licencia.
est une marque déposée de Stanley Black & Decker, Inc., utilisée sous licence.

© 2019 CRAFTSMAN

Product Manufactured by:	EMERSON TOOL COMPANY
Producto fabricado por:	8100 W. Florissant • St. Louis, MO 63136
Produit fabriqué par :	U.S. & Canada Only • É.-U. et Canada seulement

Définitions : Termes et symboles d'alertes de sécurité

Ce Guide d'utilisation utilise les termes et symboles d'alertes de sécurité suivants pour vous prévenir en cas de situations dangereuses et de risque de blessures ou de dommages matériels.

⚠ DANGER : Indique une situation dangereuse imminente qui, si elle n'est pas évitée, causera la mort ou une blessure grave.

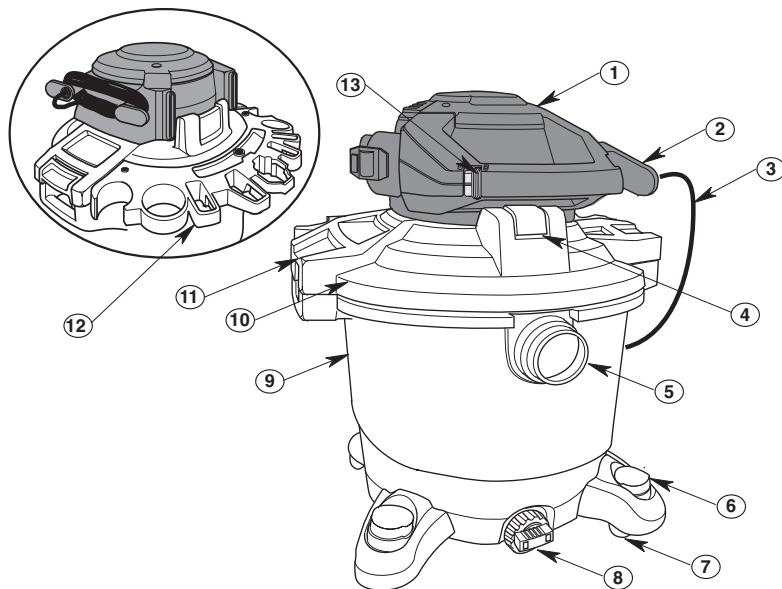
⚠ AVERTISSEMENT : Indique une situation pouvant être dangereuse qui, si elle n'est pas évitée, risque de causer la mort ou une blessure grave.

⚠ MISE EN GARDE : Indique une situation dangereuse qui, si elle n'est pas évitée, pourrait causer une blessure mineure ou modérée.

⚠ (Utilisé sans terme) Indique un message relatif à la sécurité.

AVIS : Indique une pratique non associée à un risque de blessure qui, si l'on n'en tient pas compte, pourrait causer des dommages matériels.

Fig. A



Composants

- ① Souffleuse amovible
- ② Languettes du cordon d'alimentation
- ③ Cordon d'alimentation
- ④ Poignée de la souffleuse amovible
- ⑤ Orifice de soufflerie
- ⑥ Pied à roulette avec aire de rangement
- ⑦ Roulette
- ⑧ Drain
- ⑨ Tambour à poussière
- ⑩ Ensemble de bloc-moteur
- ⑪ Verrou
- ⑫ Rangement des accessoires
- ⑬ Interrupteur de MARCHÉ/ARRÊT

⚠ AVERTISSEMENT : Lisez tous les avertissements relatifs à la sécurité et toutes les instructions associées. Le non-respect des avertissements et des instructions pourrait causer un choc électrique, un incendie et/ou des blessures graves.

⚠ AVERTISSEMENT : Ne modifiez jamais le produit ou toute partie de celui-ci. Ceci pourrait causer une blessure ou des dommages matériels.

⚠ AVERTISSEMENT : Pour réduire le risque de blessure, lisez le Guide d'utilisation.

En cas de questions ou de commentaires au sujet de ce produit ou de tout autre produit, téléphonez à CRAFTSMAN au numéro suivant (appel gratuit) : 1-888-331-4569.

INSTRUCTIONS IMPORTANTES RELATIVES À LA SÉCURITÉ

Des précautions de sécurité élémentaires doivent être prises lors de l'utilisation de cet aspirateur, notamment les précautions suivantes :

⚠ AVERTISSEMENT :

Pour réduire le risque d'incendie, de choc électrique ou de blessure:

- Lisez et comprenez ce manuel et toutes les étiquettes placées sur l'aspirateur avant de mettre celui-ci en marche.
- N'utilisez l'aspirateur que comme cela est décrit dans ce Guide d'utilisation.
- Ne laissez pas en marche pendant que vous êtes absent - vous vous risqueriez de manquer des signes importants indiquant un fonctionnement anormal, comme une perte de puissance d'aspiration, la sortie de débris ou de liquides par la bouche de soufflage d'air ou des bruits anormaux en provenance du moteur. Cessez immédiatement d'utiliser l'aspirateur si vous constatez de tels signes.
- Ne laissez pas l'aspirateur sans surveillance quand il est branché dans une prise de courant. Débranchez-le de la prise quand il n'est pas utilisé et avant toute opération de maintenance.
- Des étincelles à l'intérieur du moteur pourraient mettre le feu à des vapeurs ou poussières inflammables. Pour réduire le risque d'incendie ou d'explosion, ne pas utiliser à proximité de liquides, gaz ou poussières combustibles, comme de l'essence ou d'autres carburants, de l'essence pour briquets, des produits de nettoyage, des peintures à base d'huile, du gaz naturel, de la poussière de charbon, de la poussière de magnésium, de la poussière céréalière, de la poussière d'aluminium ou de la poudre noire.
- N'aspirez jamais de quelconques matières en train de brûler ou des matières fumigènes, telles que des cigarettes, des allumettes ou des cendres chaudes.
- Videz le tambour après chaque utilisation pour éviter le risque d'auto-inflammation des débris du tambour. Les matériaux combustibles, tels que des chiffons ou de la sciure contenant des colorants ou de l'uréthane, peuvent être des sources d'une telle surchauffe.
- N'aspirez jamais de poussières de plaques de plâtre, de suie ou de cendres de cheminée froides ou de poussières très fines qui risqueraient d'être projetées à nouveau dans l'air ambiant. Utilisez un filtre à poussières fines à la place.
- Pour réduire le risque d'inhalation de vapeurs toxiques, n'aspirez pas de matériaux toxiques ou dangereux, et n'utilisez pas à proximité de tels matériaux.
- Cet aspirateur de liquides et de poussières n'est pas conçu pour emploi par des personnes (y compris des enfants) ayant des capacités physiques, sensorielles ou mentales réduites, ou qui n'ont pas l'expérience ou les connaissances nécessaires, sauf en cas de supervision ou d'instructions sur l'utilisation de cet appareil par une personne responsable de leur sécurité.
- Pour réduire le risque de choc électrique, n'exposez pas à la pluie et empêchez l'entrée de liquides dans le compartiment du moteur. Rangez à l'intérieur.
- Ne laissez pas les enfants se servir de l'aspirateur comme d'un jouet. Il faut surveiller de très près quand il est utilisé par des enfants ou à proximité d'enfants.
- N'utilisez pas avec un filtre déchiré ou sans avoir installé de filtre, sauf quand vous aspirez des liquides, comme cela est décrit dans ce Guide d'utilisation. Des débris secs capturés par la roue risquent d'endommager le moteur ou d'être expulsés à nouveau dans l'air ambiant.
- Éteignez l'aspirateur avant de le débrancher.
- Pour réduire le risque de blessure pouvant être causée par une mise en marche accidentelle, débranchez le cordon d'alimentation avant de changer le filtre ou de le nettoyer.
- Ne débranchez pas en tirant sur le cordon. Pour débrancher, saisissez la fiche - pas le cordon.
- N'utilisez pas l'aspirateur avec une fiche, un cordon ou un autre composant endommagé. Si votre aspirateur ne fonctionne pas comme il faut, s'il manque des pièces, s'il quelqu'un l'a laissé tomber, s'il est endommagé, s'il a été laissé à l'extérieur ou s'il est tombé dans de l'eau, téléphonez au service d'assistance à la clientèle au 1-888-331-4569 (Mexico 001-881-331-4569).
- Ne touchez pas la fiche, l'interrupteur ou l'aspirateur avec des mains mouillées.
- Ne tirez pas l'aspirateur et ne le portez pas par son cordon, n'utilisez pas le cordon pour servir de poignée, ne fermez pas une porte sur le cordon et ne laissez pas le cordon tendu passer sur des bords ou des coins tranchants. Ne traînez pas l'aspirateur sur son cordon. Maintenez le cordon à distance des surfaces chauffées.
- Utilisez seulement des cordons de rallonge qui sont conçus pour emploi à l'extérieur. Les cordons de rallonge en mauvais état ou dont les diamètres sont trop petits peuvent poser des risques d'incendie et de choc électrique. Pour réduire le risque de survenance de tels problèmes, vérifiez que le cordon est en bon état et qu'aucun liquide ne puisse entrer en contact avec la connexion. N'utilisez pas de cordon de rallonge avec des conducteurs de moins de 1,3 mm² (calibre 16 AWG) de diamètre.
- Cet aspirateur de liquides et de poussières a une double isolation, ce qui élimine le besoin d'un système de mise à la terre séparé. Utilisez seulement des pièces de rechange identiques. Lisez les instructions concernant l'entretien des aspirateurs de liquides et de poussières à double isolation avant toute opération d'entretien.
- Ne mettez aucun objet dans les orifices de ventilation. N'aspirez pas quand de quelconques orifices de ventilation sont obstrués; assurez-vous que ces orifices ne sont pas bloqués par de la poussière, de la peluche, des cheveux ou de quelconques objets pouvant réduire la circulation de l'air.
- Gardez les cheveux, les vêtements flottants, les doigts et toutes les parties du corps à distance des orifices et des pièces mobiles.
- Pour réduire le risque de chute, faites très attention lorsque vous utilisez l'aspirateur dans des escaliers.
- Pour réduire le risque de vous faire mal au dos ou de tomber, ne soulevez pas un aspirateur qui est lourd en raison de la présence de liquides ou de débris aspirés. Videz partiellement l'aspirateur en retirant des débris ou en drainant du liquide.
- Pour réduire le risque de blessure corporelle ou d'endommagement de l'aspirateur, n'utilisez que des accessoires compatibles avec la marque CRAFTSMAN.
- En cas d'utilisation de l'aspirateur comme soufflante :
 - Ne dirigez la décharge d'air que vers la zone de travail.
 - Éteignez l'appareil avant de le déposer sur le sol ou d'en relâcher la poignée.
 - Ne le posez pas dans un liquide; ceci risquerait de causer un choc électrique.
 - Ne dirigez pas l'air vers des personnes présentes à proximité.
 - Gardez les enfants à distance lors du fonctionnement de la soufflante.
 - N'utilisez la soufflante que pour souffler des saletés et des débris.
 - N'utilisez pas en guise de pulvérisateur.
- Pour réduire le risque de blessure pour les yeux, portez des lunettes de sécurité. L'utilisation de toute soufflante ou de tout aspirateur utilitaire peut toujours causer la projection de corps étrangers dans les yeux, ce qui risque d'entraîner des blessures graves aux yeux.
- Pour réduire le risque d'être frappé ou entraîné par un aspirateur en train de rouler, bloquez les roulettes lorsque vous utilisez l'aspirateur sur une surface inégale ou inclinée.

A MISE EN GARDE :

- Pour réduire le risque de dommages auditifs, portez des protège-oreilles lorsque vous utilisez l'aspirateur pendant une période prolongée ou dans une zone bruyante.
- Portez un masque antipoussières en cas d'utilisation dans un environnement poussiéreux.
- Les décharges statiques sont fréquentes dans les endroits secs ou lorsque l'humidité relative de l'air ambiant est faible. L'aspiration de débris fins avec votre aspirateur peut déposer une charge statique sur le tuyau ou sur l'aspirateur. La meilleure chose à faire pour réduire la fréquence des décharges statiques chez vous ou lorsque vous utilisez cet aspirateur consiste à ajouter de l'humidité dans l'air avec un humidificateur.

A AVERTISSEMENT :

Lorsque vous utilisez la soufflerie : portez des lunettes de sécurité comportant l'inscription « ANSI Z87.1 » sur l'emballage. Éteignez l'appareil avant de le poser à terre ou d'en relâcher la poignée. Il existe un risque de décharge électrique en cas d'utilisation sur des surfaces humides. Dirigez la décharge de l'outil exclusivement sur la zone de travail. Ne la dirigez pas en direction de personnes présentes. Gardez les enfants à distance.

Observez les avertissements suivants qui figurent sur le carter du moteur de votre aspirateur :



DOUBLEMENT ISOLÉ. MISE À LA TERRE NON NÉCESSAIRE.
POUR L'ENTRETIEN, N'UTILISEZ QUE DES PIÈCES DE RECHANGE IDENTIQUES.

A AVERTISSEMENT :

- Pour votre propre sécurité, lisez et comprenez le manuel de l'opérateur.
- Ne laissez jamais l'aspirateur en marche sans surveillance.
- Ne ramassez pas de cendres chaudes, de charbon ou d'autres matières inflammables, combustibles / auto-inflammables, toxiques ou dangereuses.
- Ne pas utiliser à proximité de vapeurs ou de liquides explosifs.

A AVERTISSEMENT :

Pour réduire le risque de choc électrique – n'exposez pas à la pluie – rangez à l'intérieur.

REPLACEMENT GRATUIT DE L'ÉTIQUETTE

D'AVERTISSEMENT : Si vos étiquettes d'avertissement deviennent illisibles ou sont manquantes, téléphonez au **1-888-331-4569** pour obtenir un remplacement gratuit.

CONSERVER CES INSTRUCTIONS

INTRODUCTION

Cet aspirateur de liquides et de poussières est conçu pour un emploi ménager. Il peut être utilisé pour aspirer des matières humides ou sèches, et il peut être utilisé comme soufflante.

Lisez ce manuel de l'opérateur pour vous familiariser avec les fonctions du produit et pour comprendre les particularités d'utilisation de votre nouvel aspirateur.

TABLE DES MATIÈRES

Sujet	Page	Sujet	Page
Instructions importantes relatives à la sécurité	24-25	Fonction de soufflante	33
Introduction	25	Utilisation de la soufflante amovible pour « souffler »	34
Contenu de la boîte en carton	26	Entretien	35-38
Installation	27-30	Orifice d'admission de la soufflante amovible	35
Ensemble de pied à roulette	27	Filter	36
Ensemble de roulette	27	Retrait et installation du filtre Qwik Lock™	36
Assemblage du dispositif de stockage des accessoires	28	Sac de filtration	37
Montage / retrait du bloc-moteur	28	Installation du sac de filtration	37
Positionnement de la soufflante amovible	29	Retrait du sac de filtration	37
Insertion du tuyau	30	Nettoyage du filtre	38
Rangement des accessoires	30	Nettoyage d'un filtre sec	38
Rangement du cordon	30	Nettoyage d'un filtre humide	38
Rangement du tuyau flexible	30	Nettoyage et désinfection de l'aspirateur de liquides et de poussières	38
Fonctionnement	31-34	Roulettes	38
Fiche polarisée	31	Rangement	38
Interrupteur	31	Service après-vente / Pièces de rechange	39-40
Aspiration de matériaux secs	32	Réparation de l'aspirateur de liquides et de poussières doublement isolé	39
Aspiration de liquides	32	Garantie	42
Vidage du tambour	32		
Déplacement de l'aspirateur de liquides et de poussières	33		
Silencieux / Diffuseur	33		

CONTENU DE LA BOÎTE EN CARTON (Fig. B)

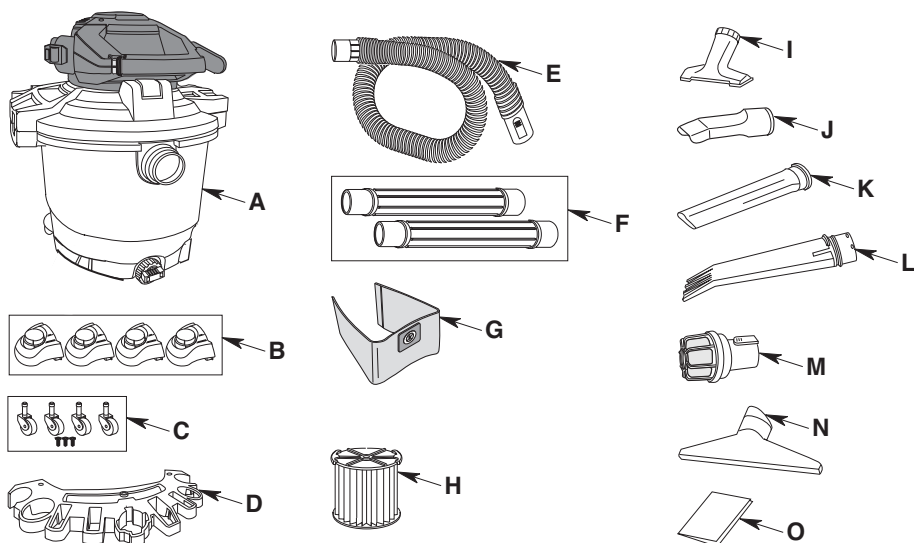
Lég.	Description	CMXEVB176060 45 Litres (12 Gallons)	CMXEVB176070 60 Litres (16 Gallons)
A	Ensemble d'aspirateur	45 Litres (12 Gallons)	60 Litres (16 Gallons)
B	Pieds à roulettes	4	4
C	Roulettes à roue unique Matériel de fixation : trois vis pour dispositif de stockage des accessoires N° 10 x 19 mm (3/4 po)	4	4
D	Dispositif de stockage des accessoires	1	1
E	Tuyau flexible	1	1
F	Tubes de rallonge	2	2
G	Sac de filtration	1	1
H*	Filtre Qwik Lock™	1	1
I	Suceur à usages multiples	1	1
J	Suceur pour véhicules	1	1
K	Suceur plat	1	1
L	Bouche de soufflage	1	1
M	Silencieux/diffuseur	Non inclus	1
N	Suceur humide	Non inclus	1
O	Guide d'utilisation	1	1

*Ces articles peuvent être livrés déjà assemblés.

Retirez tous les éléments se trouvant dans la boîte en carton. Inspectez chaque élément en le comparant à la liste incluse dans la boîte en carton.

Si de quelconques composants sont endommagés ou manquants, téléphonez immédiatement au service clientèle au 1-888-331-4569 (Mexico 001-881-331-4569).

Fig. B



Outils nécessaires :



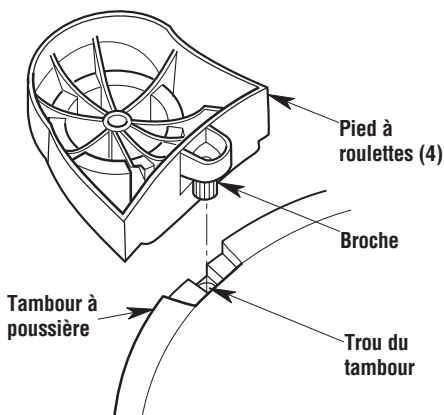
Tournevis à pointe cruciforme

INSTALLATION

Ensemble de pied à roulette (Fig. C)

1. Retirez l'ensemble de bloc-moteur du tambour à poussière et mettez-le de côté.
2. Retournez le tambour à poussière sens dessus-dessous sur le sol.
3. Insérez les pieds à roulette dans le bas du tambour, comme illustré (4 endroits).
4. Appuyez sur le pied à roulette jusqu'à ce que le pied soit au ras du bas du tambour à poussière.

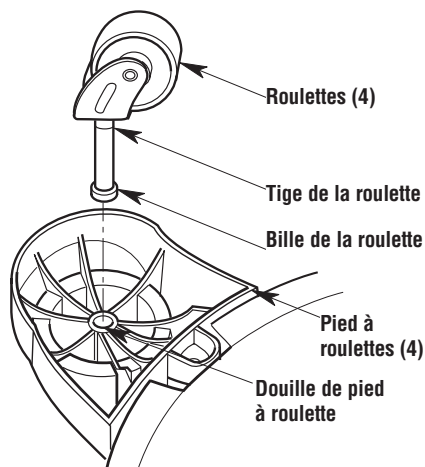
Fig. C



Ensemble de roulette (Fig. D)

1. Insérez la tige de la roulette dans la douille du pied à roulette, comme illustré (4 endroits).
2. Appuyez sur la roulette jusqu'à ce que la rotule sur la tige de la roulette soit insérée complètement dans la douille. Vous entendrez un déclic lorsque la rotule se met à sa place dans la douille et la roulette doit pouvoir pivoter facilement lorsque le positionnement est correct.
3. Remettez le tambour dans le bon sens.

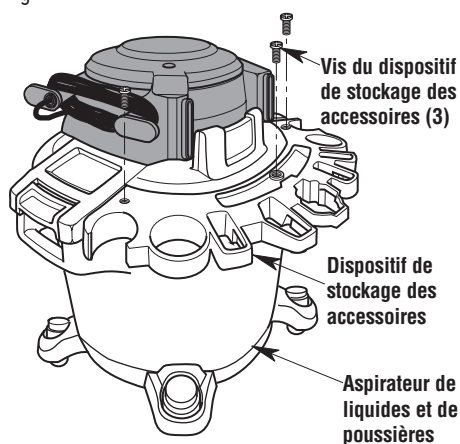
Fig. D



Assemblage du dispositif de stockage des accessoires (Fig. E)

1. Positionnez le dispositif de stockage des accessoires sur l'ensemble de bloc-moteur à l'arrière de l'aspirateur.
2. Alignez les trois trous du dispositif de stockage des accessoires sur les trois trous de l'ensemble de bloc-moteur. Sécurisez le dispositif de stockage des accessoires en utilisant les trois vis N° 10 x 19 mm (3/4 po) fournies.

Fig. E



Montage / retrait du bloc-moteur (Fig. F)

Pour rattacher l'ensemble de bloc-moteur au tambour :

1. Alignez l'ensemble de souffleur amovible sur l'orifice d'entrée d'aspiration situé à l'avant du tambour à poussière.

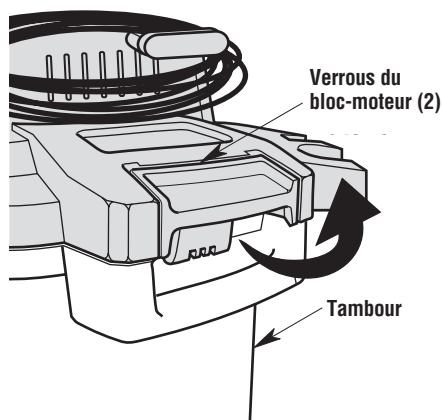
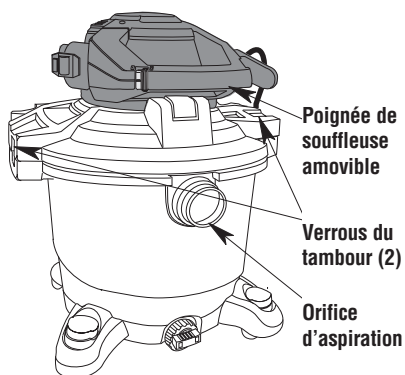
REMARQUE : Le bloc-moteur doit être aligné sur le tambour pour rendre possible la fixation appropriée.

2. Placez l'ensemble de bloc-moteur sur le dessus du tambour de telle sorte que les verrous du tambour sur le bloc-moteur reposent sur les poignées du tambour tel qu'illustré.
3. Appuyez sur les verrous du tambour pour sécuriser l'ensemble de bloc-moteur sur le tambour. Tirez légèrement sur la poignée du haut pour vous assurer que l'ensemble de bloc-moteur est bien attaché au tambour à poussière.

Pour détacher l'ensemble de bloc-moteur du tambour :

Soulevez les deux loquets de verrouillage et retirez-le du tambour.

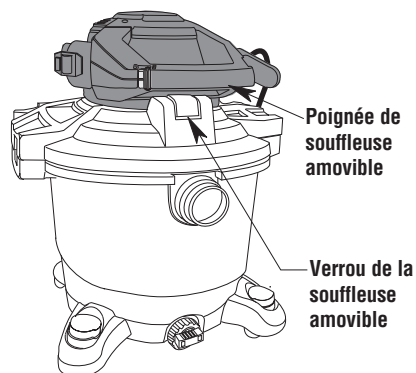
Fig. F



Positionnement de la souffeuse amovible

1. Fig. G : Pour détacher la souffeuse amovible de l'ensemble de bloc-moteur, appuyez sur le verrou de la souffeuse amovible en dessous de la poignée de la souffeuse amovible et soulevez la souffeuse pour la détacher du bloc-moteur de l'aspirateur.

Fig. G



2. Fig. H : Pour remettre la souffeuse amovible sur l'ensemble de bloc-moteur, positionnez la souffeuse amovible au-dessus de la zone encastrée de l'ensemble de bloc-moteur et alignez-la sur les guides arrière. Faites tourner la souffeuse amovible vers le bas jusqu'à ce que la course de l'appareil s'arrête.

Fig. H

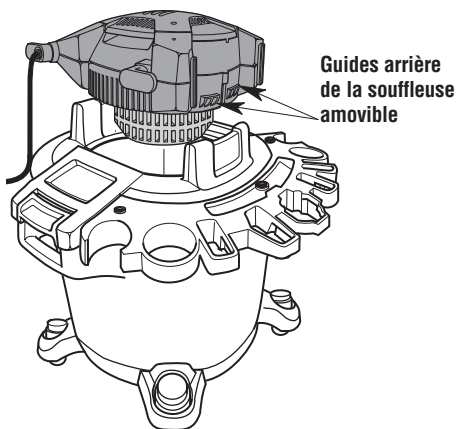
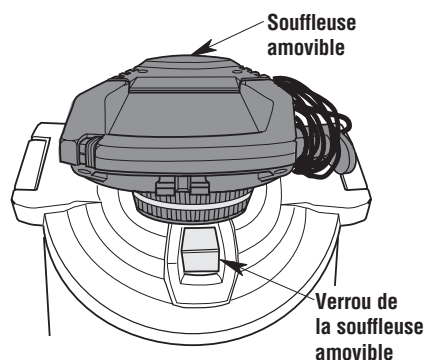
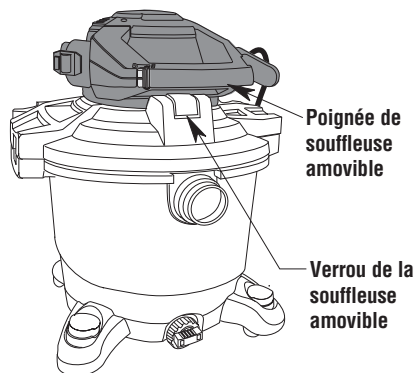


Fig. I



3. Fig. J : Appuyez légèrement sur la poignée de la souffeuse amovible jusqu'à ce que vous entendiez le dé clic causé par le verrou de la souffeuse amovible qui enclenche la souffeuse amovible. La souffeuse amovible est maintenant attachée à l'ensemble de bloc-moteur.
4. Votre nouvel aspirateur de liquides et de poussières est maintenant prêt à être utilisé.

Fig. J

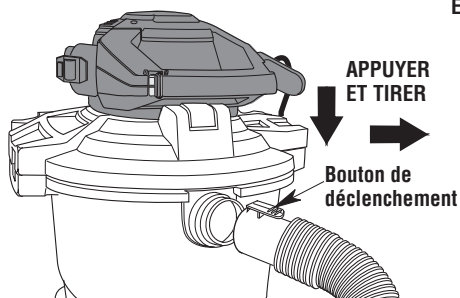


Insertion du tuyau (Fig. K)

Insérez l'extrémité verrouillable de l'ensemble de tuyau flexible à l'intérieur de l'orifice d'admission de l'aspirateur. Un bruit sec indiquera que le tuyau est correctement en place.

Pour retirer le tuyau de l'aspirateur, appuyez sur le bouton de déclenchement situé sur l'ensemble de tuyau et tirez sur le tuyau afin de le faire sortir de l'orifice d'entrée de l'aspirateur, tel que cela est illustré.

Fig. K

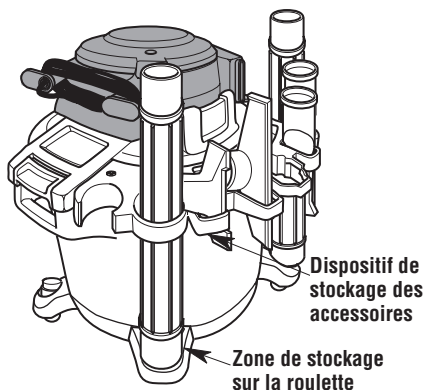


Dispositif de stockage des accessoires (Fig. L)

Le dispositif de stockage des accessoires de votre aspirateur de liquides et de poussières Craftsman est situé à l'arrière de l'aspirateur.

Il y a neuf emplacements de stockage sur le dispositif de stockage des accessoires et un emplacement de stockage sur chaque pied à roulette.

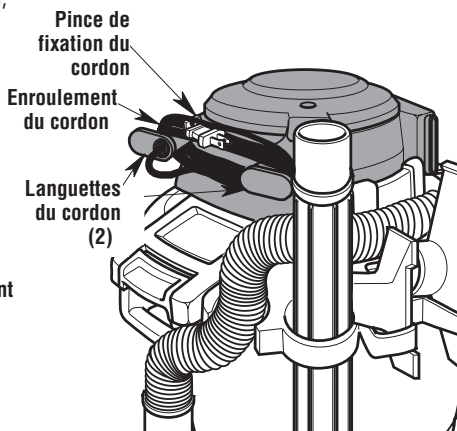
Fig. L



Rangement du cordon d'alimentation (Fig. M)

Enroulez le cordon d'alimentation autour des languettes du cordon situées sur la souffluse amovible. Placez le cordon d'alimentation dans la pince de fixation du cordon en faisant pression dessus pour le sécuriser.

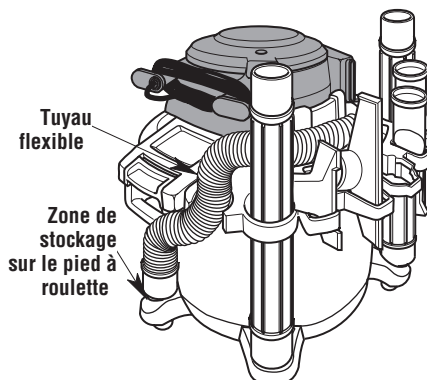
Fig. M



Rangement du tuyau flexible (Fig. N)

Le tuyau flexible peut être rangé en l'enroulant autour de l'ensemble de bloc-moteur, en le positionnant dans l'unité de stockage d'accessoires et en fixant l'extrémité du tuyau dans l'espace de rangement du pied à roulette.

Fig. N



FONCTIONNEMENT

⚠ AVERTISSEMENT :

Pour réduire le risque d'incendie, d'explosion ou d'endommagement de l'aspirateur :

- Ne laissez pas l'aspirateur en marche pendant que vous êtes absent – vous vous risqueriez de manquer des signes importants indiquant un fonctionnement anormal, comme une perte de puissance d'aspiration, la sortie de débris ou de liquides par la bouche de soufflage d'air ou des bruits anormaux en provenance du moteur. Cessez immédiatement d'utiliser l'aspirateur si vous constatez de tels signes.
- Ne laissez pas l'aspirateur branché lorsque vous ne l'utilisez pas.
- Ne continuez pas à utiliser l'aspirateur lorsque le flotteur a coupé l'aspiration.
- Les étincelles à l'intérieur du moteur risqueraient de mettre feu à des matières inflammables en suspension dans l'air. Ne pas utiliser l'aspirateur à proximité de liquides inflammables ou à des endroits où il y a des gaz ou des vapeurs inflammables, ou de la poussière explosive dans l'air. Les liquides, gaz et vapeurs inflammables comprennent : essence à briquet, produits de nettoyage du type solvant, peinture à base d'huile, essence, alcool et aérosols. Types de poussières explosives : charbon, magnésium, aluminium, céréales et poudre noire.
- N'aspirez pas de poussières explosives, de liquides inflammables ou de cendres chaudes.
- Ne laissez pas de sciure ou de chiffons avec des résidus de teinture ou de polyuréthane à l'intérieur de l'aspirateur. Videz le tambour après avoir ramassé ces matériaux potentiellement autochauffants.

⚠ AVERTISSEMENT :

Pour réduire le risque de choc électrique ou de blessure :

- Maintenez les cordons d'alimentation électrique en bon état. N'utilisez pas de cordons usés, dénudés ou effilochés parce qu'ils pourraient causer des chocs électriques.
- L'utilisation de cet équipement à basse tension pourrait le faire surchauffer. L'emploi d'un cordon de rallonge excessivement long extension pourrait causer la surchauffe du cordon.
- N'exposez pas à la pluie, et ne laissez pas de liquides pénétrer dans le compartiment du moteur. Rangez à l'intérieur.
- Ne touchez pas la fiche de branchement, l'interrupteur ou l'aspirateur si vous avez les mains mouillées.

- Débranchez l'aspirateur avant toute opération d'entretien sur celui-ci. Si votre aspirateur ne fonctionne pas comme il devrait, s'il manque des pièces, s'il est tombé par terre ou a été endommagé, s'il a été laissé à l'extérieur ou s'il est tombé dans de l'eau, téléphonez au service d'assistance à la clientèle au 1-888-331-4569 (Mexico 001-881-331-4569).
- Lorsque vous utilisez un cordon de rallonge, n'utilisez qu'un cordon prévu pour emploi à l'extérieur et en bon état. Ne laissez pas la connexion entrer en contact avec des liquides.

⚠ MISE EN GARDE :

Pour réduire le risque de dommages auditifs, portez des protège-oreilles lorsque vous utilisez l'aspirateur/souffleur pendant une période prolongée ou dans une zone bruyante.

Fiche polarisée

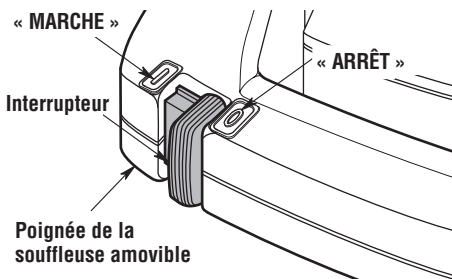
Pour réduire le risque de choc électrique, cet appareil est muni d'une fiche polarisée (une lame est plus large que l'autre). Cette fiche n'est compatible avec une prise polarisée que dans un seul sens. Inverser la fiche si elle n'entre pas complètement dans la prise. Si elle n'entre toujours pas, prendre contact avec un électricien qualifié pour installer une prise de courant appropriée. Ne pas altérer la fiche de quelque manière que ce soit.

Interrupteur (Fig. 0)

Après avoir branché le cordon d'alimentation dans la prise de courant, mettez l'appareil sous tension en appuyant sur l'interrupteur pour le faire passer de la position « 0 » à la position « I ». Les deux symboles internationaux qui figurent sur l'interrupteur indiquent, respectivement, la position de marche et la position d'arrêt de votre aspirateur.

○ = ARRÊT | = MARCHÉ

Fig. 0



Aspiration de matériaux secs

1. Le filtre doit toujours être dans la position correcte afin d'éviter les fuites et de dommages à l'aspirateur.
2. Lors de l'utilisation de l'aspirateur pour ramasser des poussières très fines, il sera nécessaire de vider le tambour et de nettoyer le filtre à intervalles plus fréquents afin de continuer à bénéficier de la performance maximale de l'aspirateur. Il est recommandé d'utiliser le filtre Quick Lock™ plus un sac de filtration pour améliorer la performance d'aspiration des poussières fines.

REMARQUE : Un filtre sec est nécessaire pour ramasser des matériaux secs. Si l'aspirateur est employé pour ramasser de la poussière alors que le filtre est humide, le filtre se bouchera très vite et il sera ensuite très difficile à nettoyer.

Aspiration de liquides

⚠ AVERTISSEMENT :

N'utilisez pas l'aspirateur sans la cage du filtre et le flotteur à leur place. Le flotteur empêche l'eau de pénétrer dans l'hélice et d'endommager le moteur. Pour le ramassage de déchets secs, n'utilisez pas l'aspirateur sans que le sac filtrant ne soit en place afin de réduire le risque d'endommagement du moteur.

⚠ AVERTISSEMENT :

Pour réduire le risque d'incendie ou d'explosion, n'aspirez pas de liquides, gaz ou poussières inflammables ou combustibles.

1. Lors de l'aspiration de faibles volumes de liquide, le filtre peut être laissé à sa place.
2. Si vous avez l'intention d'aspirer de grandes quantités de liquide, nous vous recommandons de retirer le filtre. Si vous ne retirez pas le filtre, il se saturera et un embuage risquera de se produire dans le système d'évacuation.
3. Après que l'aspirateur aura été utilisé pour aspirer des liquides, il faudra sécher le filtre pour éviter la formation possible de moisissures et pour ne pas endommager le filtre.
4. Lorsque le liquide aspiré atteint un niveau prédéterminé dans le tambour, le flotteur s'élèvera automatiquement afin de couper la circulation de l'air. L'élévation du niveau du flotteur se remarque parce qu'elle correspond à l'arrêt de la circulation de l'air à l'intérieur de l'aspirateur et parce que le bruit du moteur devient alors plus aigu en raison de l'accélération de sa vitesse.

IMPORTANT : Pour réduire le risque d'endommager l'aspirateur, il ne faut pas faire fonctionner le moteur pendant que le flotteur est en position élevée.

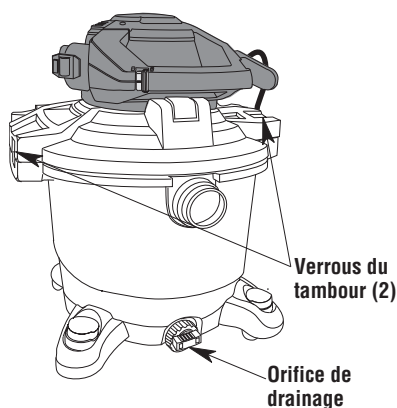
Vidage du tambour (Fig. P)

1. Retirez l'ensemble de bloc-moteur. Tirez sur les verrous pour le séparer du tambour.
2. Soulevez l'ensemble de bloc-moteur en l'éloignant du tambour.
3. Déposez l'ensemble de bloc-moteur sens dessus-dessous sur une surface propre pendant que vous videz le tambour.
4. Videz le contenu du tambour dans un récipient approprié pour l'élimination des déchets.
5. Si l'aspirateur comporte un drain, dévissez simplement le capuchon du drain et soulevez légèrement le côté opposé pour vider le tambour.

⚠ AVERTISSEMENT :

Pour réduire le risque de chute ou de blessure au dos il ne faut pas soulever un aspirateur plein de liquide ou de débris. Ramasser ou drainer suffisamment du contenu hors de l'aspirateur afin de rendre l'aspirateur assez léger pour le soulever confortablement.

Fig. P



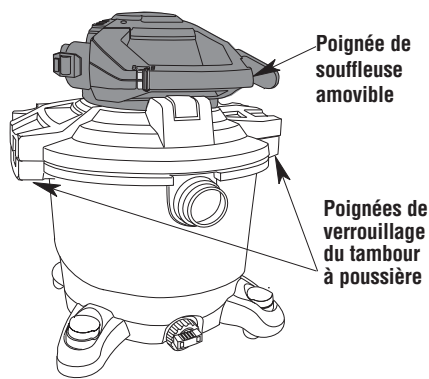
Déplacement de l'aspirateur de liquides et de poussières (Fig. Q)

REMARQUE : Ne ramassez pas l'ensemble de bloc-moteur en saisissant la poignée de la souffleuse amovible.

S'il s'avère nécessaire de soulever l'aspirateur pour le déplacer, utilisez les poignées de verrouillage du tambour à poussière. Ceci assurera que la souffleuse amovible et l'ensemble de bloc-moteur ne se sépareront pas pendant le retrait de l'ensemble de bloc-moteur.

Pour manœuvrer l'aspirateur, utilisez seulement la poignée de la soufflante amovible.

Fig. Q

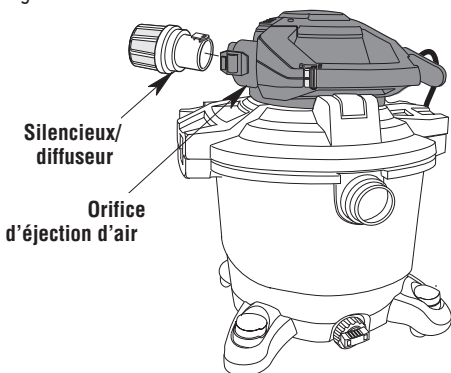


Silencieux / Diffuseur 60 Litres (16 Gallons) CMXEVB176070 (Fig. R)

Insérez l'extrémité verrouillable du silencieux / diffuseur (inclus avec le numéro de modèle CMXEVB176070) dans l'orifice de soufflerie de l'aspirateur. Le silencieux/diffuseur doit se mettre en place avec un léger dédic.

Le silencieux / diffuseur supprime le bruit du moteur et diffuse l'air d'échappement, et il peut être utilisé pendant que l'on passe l'aspirateur à l'intérieur aussi bien qu'à l'extérieur.

Fig. R



Fonction de soufflante (Fig. S)

L'aspirateur de liquides et de poussières est muni d'une « soufflerie amovible ». Cette soufflerie peut être utilisée de façon autonome, comme pour souffler les feuilles dans le jardin, pour nettoyer le patio ou pour d'autres applications dans un atelier - par exemple pour souffler la sciure et d'autres débris.

1. L'opérateur/opératrice doit se familiariser avec la soufflerie amovible de l'aspirateur de liquides et de poussières.
2. Retirez la soufflante amovible de votre aspirateur en appuyant sur le verrou de la soufflante amovible en dessous de la poignée de la soufflante amovible. Ce loquet attache la souffleuse à l'ensemble de bloc-moteur.
3. Soulevez la soufflante amovible par la poignée afin de la détacher de l'aspirateur.

⚠ AVERTISSEMENT :

Il faut toujours porter des lunettes de protection conformes à la norme ANSI Z87.1 (ou, au Canada, CSA Z94.3) avant de se servir de l'aspirateur comme une soufflerie.

⚠ AVERTISSEMENT :

Pour ne pas risquer de causer des blessures à d'autres personnes, il est recommandé de leur demander de rester à distance suffisante des débris soufflés.

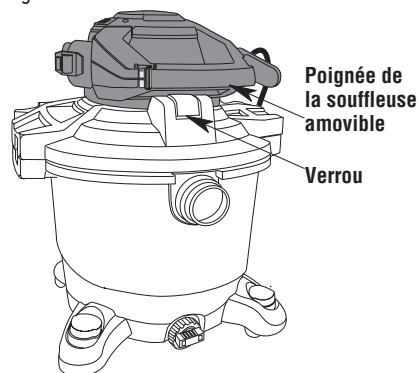
⚠ MISE EN GARDE :

Portez un masque anti-poussière si votre soufflage crée de la poussière qui pourrait être aspirée.

⚠ MISE EN GARDE :

Pour réduire le risque de dommages auditifs, portez des protège-oreilles lorsque vous utilisez l'aspirateur/souffleur pendant une période prolongée ou dans une zone bruyante.

Fig. S

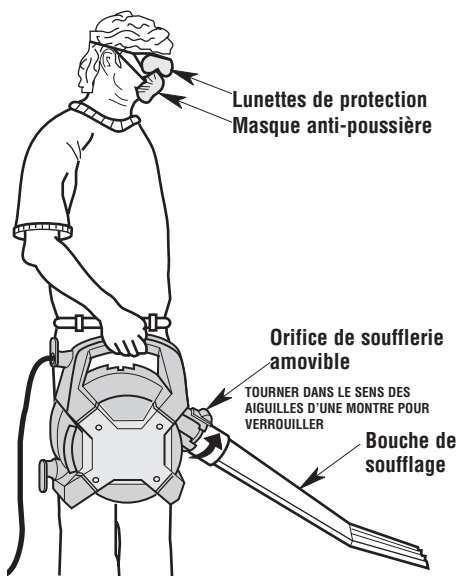


Utilisation de la soufflante amovible pour « souffler »

Voici deux méthodes suggérées pour l'utilisation de la soufflante :

1. Fig. T : Insérez l'extrémité ronde de la buse de la soufflante dans l'orifice de la soufflante amovible et tournez dans le sens des aiguilles d'une montre pour la sécuriser en place.

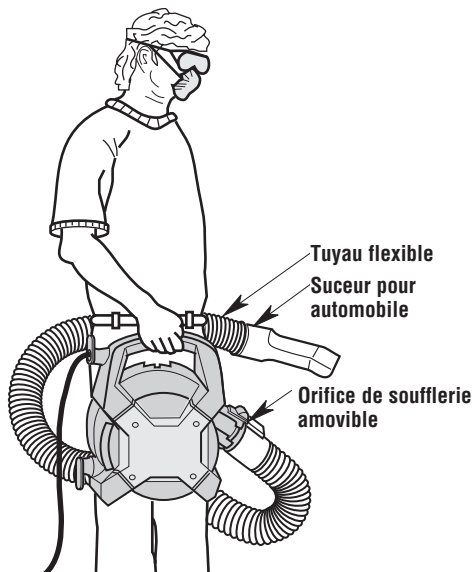
Fig. T



2. Fig. U : L'aspirateur de liquides et de poussières peut aussi être utilisé comme un dispositif de soufflerie en utilisant le tuyau de sept pieds qui l'accompagne. Installez le bout du tuyau flexible de l'aspirateur comportant un bouton poussoir dans l'orifice de soufflerie de la soufflante amovible.

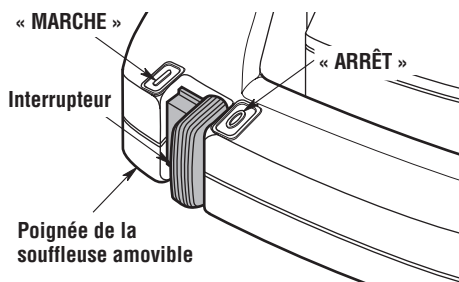
Pour assurer plus de contrôle, vous pouvez ajouter un tube de rallonge et/ou un suceur pour automobile au bout opposé du tuyau flexible. L'appareil est prêt à être utilisé pour des applications de soufflerie.

Fig. U



3. Fig. V : Mettez la soufflante en marche en faisant glisser l'interrupteur situé dans la poignée de la soufflante en position « I ».

Fig. V



ENTRETIEN

Orifice d'admission de la souffleuse amovible (Fig. W)

Fig. W

⚠ AVERTISSEMENT :

Pour réduire le risque de blessure en raison d'une mise en marche accidentelle, débrancher le cordon électrique avant de remplacer ou nettoyer le filtre ou le tampon en mousse.

Après avoir utilisé la soufflerie amovible de l'aspirateur de liquides et de poussières, examiner le fond de la soufflerie pour déterminer la présence de poussière et de débris. Inspecter pour s'assurer qu'il n'y a pas de débris attachés aux événements en plastique ou au tampon en mousse de la soufflerie.

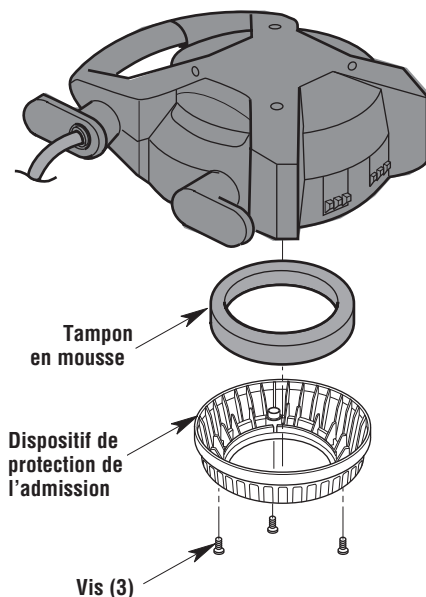
Pour nettoyer le tampon en mousse en dessous de la plaque de protection de la prise d'air de la soufflante amovible :

1. Retirez et mettez de côté les trois vis tenant en place la plaque de protection de la prise d'air.
2. Soulevez la plaque de protection de la prise d'air et détachez-la de l'aspirateur.
3. Retirez le tampon en mousse de la plaque de protection de la prise d'air.
4. Nettoyez le tampon en mousse dans de l'eau chaude savonneuse ou brossez les débris pour les détacher du tampon. Laissez le tampon en mousse sécher.
5. Examinez le tampon en mousse pour vous assurer qu'il n'est pas endommagé ou excessivement usé. S'il doit être remplacé, le tampon en mousse de rechange figure sous la rubrique des pièces de rechange de ce mode d'emploi.
6. Remontez le tampon en mousse dans la plaque de protection de la prise d'air.
7. Réinstallez la plaque de protection de la prise d'air au moyen des trois vis qui avaient été retirées lors de la première étape.

L'aspirateur est prêt à être utilisé.

⚠ AVERTISSEMENT :

Ne mettez pas en marche sans avoir installé la plaque de protection de la prise d'air.



Filtere

⚠ AVERTISSEMENT :

Pour réduire le risque de blessure en raison d'une mise en marche accidentelle, débrancher le cordon électrique avant de remplacer le filtre ou de le nettoyer.

REMARQUE : Le filtre est fait de papier de qualité élevée conçu pour intercepter les très petites particules de poussière. Le filtre peut être utilisé pour le ramassage de matière sèches ou de petits volumes de liquides. Manipuler le filtre avec précaution lors de son nettoyage ou de son installation. Les plis du filtre peuvent être froissés pendant l'installation, mais cela n'aura aucune influence sur la performance du filtre.

Retrait et installation du filtre Qwik Lock™ (Fig. X)

IMPORTANT : Pour réduire le risque d'endommager le moteur et la roue de la soufflerie, toujours réinstaller le filtre avant d'utiliser l'aspirateur pour ramasser des matériaux secs.

Retrait du filtre

1. Saisissez les deux languettes du filtre Qwik Lock™, une dans chaque main.
2. Placez un pouce sur le goujon Qwik Lock™, qui dépasse de la plaque de filtre intégrée, tirez sur les languettes du filtre et appuyez en même temps sur le goujon.
3. Cette action aura pour effet que le filtre sera relâché de la cage du filtre. Faites glisser le filtre pour le sortir de la cage.

⚠ AVERTISSEMENT :

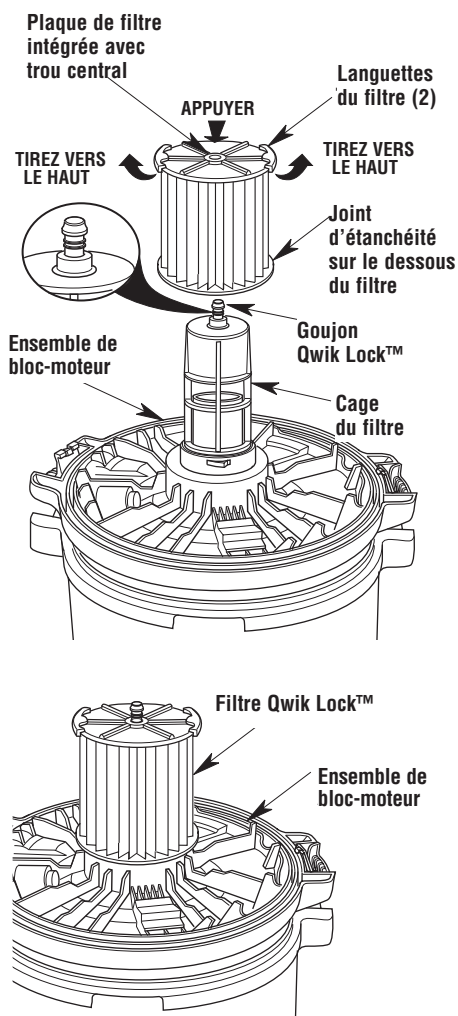
N'utilisez pas l'aspirateur sans la cage du filtre et le flotteur à leur place. Le flotteur empêche l'eau de pénétrer dans l'hélice et d'endommager le moteur.

Installation du filtre

1. Faites glisser délicatement le filtre Qwik Lock™ en dessus de la cage du filtre et appuyez sur le bord extérieur du filtre jusqu'à ce que le joint d'étanchéité en caoutchouc au fond du filtre repose de manière sécurisée autour de la base de la cage du filtre et contre l'ensemble de bloc-moteur.
2. Alignez le petit trou central sur le dessus du filtre au-dessus du goujon Qwik Lock™ sur la cage du filtre. Appuyez fermement sur le dessus du filtre, à proximité du goujon, pour permettre au filtre de s'emboîter sur l'embout sphérique du goujon. Le filtre est maintenant installé.

REMARQUE : Si vous n'installez pas correctement le joint d'étanchéité du dessous, il est possible que des débris passent à côté du filtre.

Fig. X



Sac de filtration

⚠ AVERTISSEMENT :

Pour vous protéger contre les risques pour la santé résultant de l'inhalation de vapeurs ou de poussière, n'aspirez pas de matières toxiques ou cancérigènes, ou d'autres matières dangereuses, comme l'amiante, l'arsenic, le baryum, le béryllium, le plomb, des pesticides ou d'autres matières dangereuses pour la santé.

⚠ MISE EN GARDE :

Pour éviter les débris épars, lors du ramassage de matériaux lourds ou tranchants, contrôler le volume de remplissage du sac et arrêtez l'aspiration avant que le sac ne soit trop plein.

Installation du sac de filtration (Fig. Y)

Un sac-filtre peut être utilisé à la place du filtre à cartouche Qwik Lock™ ou en plus de celui-ci.

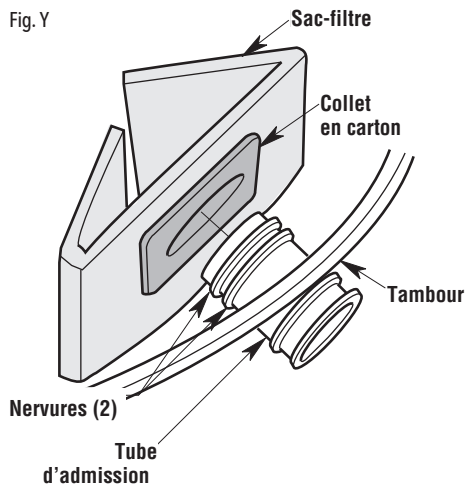
Des sacs filtrants de rechange sont disponibles :

REMARQUE : Voir la liste des pièces de rechange pour le numéro de pièce.

REMARQUE : Un sac-filtre ou un filtre à cartouche doit être installé correctement lorsque vous ramassez des débris secs.

1. Un sac-filtre ne doit être utilisé que pour le ramassage de débris secs.
2. Le positionnement correct du collet en carton est nécessaire pour assurer l'étanchéité requise.
3. Localisez deux nervures sur le tube d'admission, à l'intérieur du tambour.
4. Faites glisser le collet en carton sur le tube d'admission et positionnez le collet en carton entre les deux nervures.
5. Après avoir installé le collet en carton de façon sécurisée, dépliez et positionnez le sac-filtre à l'intérieur du tambour, tel qu'illustré.

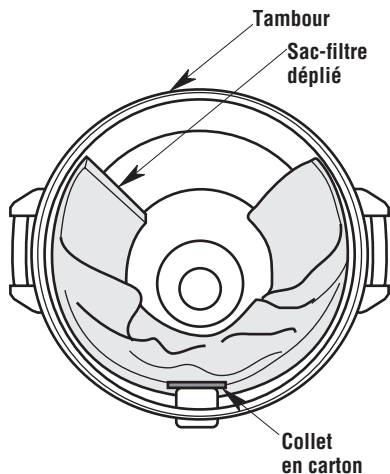
Fig. Y



Retrait du sac de filtration (Fig. Z)

1. Faites glisser le collet en carton vers le centre du tambour de l'aspirateur.
2. Retirez le sac-filtre du tambour de l'aspirateur et jetez-le.
3. Installez un nouveau sac-filtre.

Fig. Z



Nettoyage du filtre

Il faut nettoyer souvent le filtre pour ne pas affecter la performance optimale de l'aspirateur.

Nettoyage d'un filtre sec

1. Le retrait de certains débris secs peut être accompli sans enlever le filtre de l'aspirateur. Donner un coup avec la main sur la partie supérieure de l'ensemble de bloc-moteur pendant que l'aspirateur est à l'arrêt.
2. Pour obtenir les meilleurs résultats lors du nettoyage après l'accumulation de poussière, nettoyer le filtre dans un endroit non clos. Le nettoyage DOIT être effectué à l'extérieur – pas dans des locaux d'habitation.
3. Après avoir retiré le filtre de l'aspirateur, retirer les débris secs, en tapotant doucement le filtre contre la paroi intérieure du tambour à poussière. Les débris se détacheront et tomberont.
4. Pour effectuer un nettoyage complet du filtre sec lorsqu'il est couvert de particules très fines (pas de débris), faire couler de l'eau à travers le filtre comme indiqué sous la rubrique « Nettoyage d'un filtre humide ».

Nettoyage d'un filtre humide

Une fois le filtre retiré, faites couler de l'eau au travers du filtre à l'aide d'un tuyau d'arrosage ou d'un robinet. Veillez à ce que la pression de l'eau sortant du tuyau d'arrosage ne soit pas si forte qu'elle pourrait endommager le filtre.

IMPORTANT : Inspecter le filtre après le nettoyage pour s'assurer qu'il n'est pas déchiré ou troué. Des déchirures et des trous dans le filtre pourraient causer l'éjection dans l'air ambiant de débris et de poussière se trouvant dans l'aspirateur. Ne pas utiliser un filtre déchiré ou troué. Remplacer le filtre immédiatement dans ce cas.

Laissez le filtre sécher avant de le réinstaller et de ranger l'aspirateur ou de l'utiliser pour ramasser des débris.

Nettoyage et désinfection de l'aspirateur de liquides et de poussières

Pour conserver l'esthétique optimale de votre aspirateur de poussières et de liquides, nettoyez la surface extérieure de l'aspirateur à l'aide d'un chiffon imbibé d'eau tiède savonneuse.

Procédure de nettoyage du tambour :

1. Vider les débris.
2. Nettoyez soigneusement le tambour à poussière à l'aide d'un savon doux et d'eau tiède.
3. Essuyer avec un chiffon sec.

Avant de ranger l'aspirateur pour une période prolongée, ou dans les cas nécessaires (par exemple après l'aspiration d'eaux usées), vous devez désinfecter le tambour.

Pour désinfecter le tambour :

1. Versez 4 Litres (1 gallon) d'eau et 5 mL (1 cuillerée à thé) de produit de blanchiment au chlore dans le tambour.
2. Laissez la solution agir pendant 20 minutes, en remuant doucement de temps à autre pour vous assurer que toutes les surfaces du tambour restent humides.
3. Videz le tambour au bout de 20 minutes. Rincez à l'eau jusqu'à ce que l'odeur d'eau de javel ait disparu. Laissez sécher le tambour complètement avant de sceller le moteur sur le tambour.

Roulettes

Si les roulettes sont bruyantes, vous pouvez mettre une goutte d'huile sur l'arbre porte-galet pour atténuer le bruit.

Rangement

Avant de ranger votre aspirateur, vous devez vider et nettoyer le tambour. Le cordon d'alimentation doit être enroulé autour de l'aire d'enroulement du cordon et le tuyau flexible doit être rangé tel que cela est décrit dans ce mode d'emploi. Vous devez garder les accessoires au même endroit que l'aspirateur de façon à pouvoir y accéder facilement. Vous devez ranger l'aspirateur à l'intérieur d'un bâtiment.

AVERTISSEMENT :

Pour assurer la SÉCURITÉ et la FIABILITÉ du produit, toutes les autres opérations de maintenance, de réparation et de réglage doivent être effectuées par des centres de service agréés utilisant toujours des pièces de rechange CRAFTSMAN.

SERVICE APRÈS-VENTE / PIÈCES DE RECHANGE

**Aspirateur de liquides et de
poussières avec souffeuse amovible
de 45 Litres (12 Gallons)**

Modèle N° CMXEVB176060

**Caractéristiques électriques
nominales : 120 V~ 10 A 60 Hz**

OU

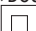
**Aspirateur de liquides et de
poussières avec souffeuse amovible
de 60 Litres (16 Gallons)**

Modèle N° CMXEVB176070

**Caractéristiques électriques
nominales : 120 V~ 12 A 60 Hz**



AVERTISSEMENT : RÉPARATION DE L'ASPIRATEUR DE LIQUIDES ET DE POUSSIÈRES DOUBLEMENT ISOLÉ

Dans un aspirateur de liquides et de poussières doublement isolé, deux systèmes d'isolation sont fournis au lieu de la mise à la terre. Aucun moyen de mise à la terre n'est prévu sur un appareil électro-ménager doublement isolé, et il ne faut pas en ajouter. La réparation d'un aspirateur de liquides et de poussières doublement isolé nécessite une connaissance approfondie du système et la prise de précautions extrêmes. Une telle réparation ne doit être entreprise que par un technicien agréé. Les pièces de rechange pour un aspirateur de liquides et de poussières doublement isolé doivent être les mêmes que les pièces qu'elles remplacent. Les mots « DOUBLE INSULATED » (Doublement isolé) figurent sur l'aspirateur de liquides et de poussières doublement isolé, et le symbole  (un carré à l'intérieur d'un autre carré) peut également figurer sur les appareils.

Pour réduire le risque de blessure, débranchez le cordon d'alimentation avant toute opération de maintenance/réparation de l'aspirateur de liquides et de poussières.

N° de lég.	45 Litres (12 Gallons) N° de pièce	60 Litres (16 Gallons) N° de pièce	Description
1	510588	510588	Ensemble de souffeuse
2	73180	73180	Interrupteur
3	833177	833177	Émerillon
4	829718-7	829718-7	Cordon d'alimentation avec fiche
5	833167	833167	Tampon en mousse
6	818961	818961	Entretoise
7	832804-1	818413	Roue de souffeuse
8	315534-1	315534-1	Rondelle
9	826817	826817	Écrou hexagonal de fixation
10	841224	841224	Couvercle
11	826338-1	826338-1	Verrou de souffeuse
12	510729	510729-1	Ensemble de couvercle
13	820563-7	820563-7	Vis à tête cylindrique bombée N° 10 x 19 mm (3/4 po)
14	509488	509488	Flotteur
15	833521-1	833521-1	Cage de filtre
16	CMXZVBE38754	CMXZVBE38754	Filtre Qwik Lock™
17	841265	841265	Verrou de tambour
18	510708	510709	Tambour (inclut la légende N° 19)
19	73185	73185	Obturbateur de l'orifice de drainage
20	828460	828460	Pied à roulette
21	73102	73102	Roue de la roulette (Qté. 1)
22	510589	510589	Dispositif de stockage des accessoires avec matériel de fixation
23	CMXZVBE38763	CMXZVBE38763	Tuyau flexible
24	833169	833169	Bouche de soufflage
25	3CMXZVBE38630	CMXZVBE38630	Suceur tout usage
26	CMXZVBE38620	CMXZVBE38620	Suceur pour automobile
27	CMXZVBE37035	CMXZVBE37035	Suceur plat
28	CMXZVBE38735	CMXZVBE38749	Sac de filtration
29	CMXZVBE38606	CMXZVBE38606	Tubes de rallonge
30	-	CMXZVBE38660	Silencieux/diffuseur
31	-	CMXZVBE38621	Suceur humide
32	SP7092	SP7092	Mode d'emploi

**Aspirateur de liquides et de poussières avec souffleuse amovible de 45 Litres (12 Gallons)
Modèle N° CMXEVB176060**

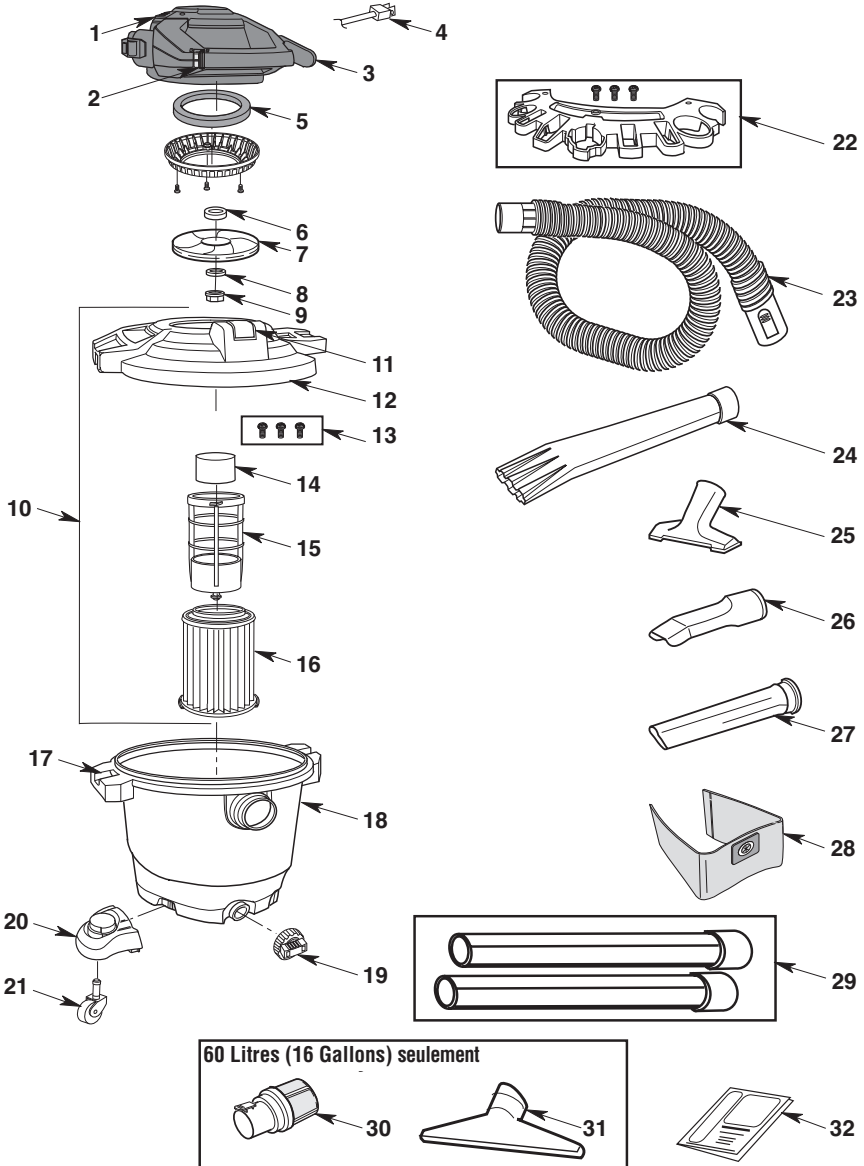
OU

**Aspirateur de liquides et de poussières avec souffleuse amovible de 60 Litres (16 Gallons)
Modèle N° CMXEVB176070**

⚠ AVERTISSEMENT : Pour réduire le risque de blessure, débranchez le cordon d'alimentation avant toute opération de maintenance/réparation de l'aspirateur de liquides et de poussières.

⚠ AVERTISSEMENT : Toutes les opérations de démontage et de réparation doivent être effectuées par des techniciens compétents.

Pour commander, utiliser toujours le numéro de pièce - pas le numéro de légende



REMARQUES

GARANTIE LIMITÉE CRAFTSMAN® – 3 ANS

La présente garantie limitée est accordée par Emerson Tool Company, une division d'Emerson Electric Co. (« Nous » ou « Notre » ou « Nos »), au consommateur propriétaire d'origine (« Client » ou « Vous » ou « Votre » ou « Vos ») du produit CRAFTSMAN avec lequel cette garantie limitée est accordée (le « Produit CRAFTSMAN »).

Ce qui est couvert

Nous Vous garantissons que Votre Produit CRAFTSMAN ne comporte aucun défaut de matériau ou de façon quand il est utilisé dans des conditions normales conformément aux dispositions du Guide d'utilisation qui Vous a été fourni avec le Produit CRAFTSMAN, sous réserve des exclusions décrites ci-dessous, pour une durée de trois ans commençant à la date de l'achat par Vous (la « Période de garantie »). La présente garantie limitée prend fin automatiquement si l'acheteur d'origine cède le Produit CRAFTSMAN à une autre personne ou entité.

Ce qui n'est pas couvert

La présente garantie limitée ne couvre pas ce qui suit et exclut expressément :

- L'usure normale et/ou les attachements ou accessoires de rechange, y compris, sans toutefois s'y limiter, les cordons d'alimentation, les tuyaux flexibles, les filtres et les autres attachements ou accessoires qui peuvent être vendus par Nous en vue d'emploi avec le Produit CRAFTSMAN.
- L'endommagement ou la détérioration du moteur du Produit CRAFTSMAN résultant du fait qu'un blocage clair survenu pendant le fonctionnement normal n'a pas été éliminé.
- La perte ou l'endommagement du Produit CRAFTSMAN en conséquence de conditions qui sont au-delà de Notre contrôle, y compris, sans toutefois s'y limiter, une utilisation non conforme aux instructions, un accident, un abus, de la négligence, une faute (par quiconque autre que Nous), une utilisation excessive au-delà de la capacité prévue et indiquée dans le Guide d'utilisation, ou des modifications ou des altérations effectuées par quiconque autre que Nous.
- La perte ou l'endommagement du Produit CRAFTSMAN en conséquence du fait que le Produit CRAFTSMAN n'a pas été utilisé conformément aux instructions ou directives écrites, ou aux conditions et modalités figurant dans le Guide d'utilisation.
- DANS LA MESURE AUTORISÉE PAR LA LOI, NOUS N'ASSUMERONS AUCUNE RESPONSABILITÉ EN CAS DE DOMMAGES SECONDAIRES, SPÉCIAUX, INDIRECTS OU ACCESSOIRES, Y COMPRIS DES PERTES ÉCONOMIQUES, EN CONSÉQUENCE DE L'ABSENCE DE FONCTIONNEMENT, DE L'UTILISATION, D'UNE UTILISATION ABUSIVE OU DE L'IMPOSSIBILITÉ D'UTILISATION DU PRODUIT CRAFTSMAN, OU POUR DES NÉGLIGENCE D'ETC.

Comment faire valoir ses droits à la garantie

États-Unis et Canada - Pour obtenir le bénéfice de la garantie, contactez-nous par un appel gratuit au 1-888-331-4569 (Mexico 001-881-331-4569). Nous vous orienterons vers le centre de service après-vente le plus proche pour que vous puissiez y faire examiner votre aspirateur gratuitement pour une inspection, des réparations ou le remplacement de composants.

Mexique - Pour obtenir le bénéfice de la garantie, contactez-nous par un appel gratuit au 001-888-331-4569. Nous vous orienterons vers le centre de service après-vente le plus proche pour que vous puissiez y faire examiner votre aspirateur gratuitement pour une inspection, des réparations ou le remplacement de composants.

Aucune autre garantie ne s'applique

La présente garantie limitée est la garantie unique et exclusive qui Vous est accordée. Aucune autre garantie expresse, écrite ou verbale, ne s'applique, y compris, SANS LIMITATION, DES GARANTIES DE QUALITÉ MARCHANDE OU D'ADÉQUATION À UN BUT PARTICULIER. Aucun employé, agent, distributeur ou autre personne n'est autorisé à altérer cette garantie limitée ou à accorder une quelconque autre garantie en Notre nom.

Ce que ferons pour résoudre les problèmes

VOTRE REMÈDE UNIQUE ET EXCLUSIF EN VERTU DE LA PRÉSENTE GARANTIE LIMITÉE EST LIMITÉ À LA RÉPARATION, AU REMPLACEMENT OU AU REMBOURSEMENT DU PRODUIT CRAFTSMAN.

Après que vous aurez contacté le département du service à la clientèle pour le Produit CRAFTSMAN, Nous engagerons la procédure d'application de la garantie, y compris un examen physique, sous réserve des exclusions et des limites de la Période de garantie énoncées aux présentes, afin de déterminer si nous allons réparer ou remplacer le Produit CRAFTSMAN, ou Vous proposer un remboursement.

La décision de réparation ou de remplacement de Votre Produit CRAFTSMAN, ou de remboursement, est à notre discrétion exclusive. Les réparations ou remplacements qui Vous sont accordés par ETC sont gratuits pour Vous s'ils sont couverts par la présente garantie limitée.

Si Nous ne sommes pas en mesure de Vous fournir un Produit CRAFTSMAN réparé de façon approprié ou de remplacement, Nous Vous accorderons un remboursement égal au prix d'achat de Votre Produit CRAFTSMAN ou un crédit à utiliser vers l'achat d'un nouveau Produit CRAFTSMAN.

En cas de litige entre le CLIENT et NOUS, l'une quelconque des parties peut décider de faire résoudre le problème par voie d'arbitrage obligatoire. CELA SIGNIFIE QUE SI LE CLIENT CHOISIT OU NOUS CHOISSONS UN ARBITRAGE OBLIGATOIRE, AUCUNE DES PARTIES N'AURA LE DROIT D'INTENTER UNE ACTION EN JUSTICE DEVANT UN TRIBUNAL OU DE DEMANDER UN JUGEMENT PAR JURY. LES DROITS D'OBLIGATION DE SOUMISSION DE DOCUMENTS ET D'APPEL SONT LIMITÉS.

La présente garantie limitée vous confère des droits légaux spécifiques, et vous disposez peut-être aussi d'autres droits, qui varient en fonction de l'État ou de la province où Vous résidez. Étant donné que certains États et certaines provinces ne permettent pas l'exclusion des dommages indirects ou secondaires, il se peut que la limitation ci-dessus ne s'applique pas.

CRAFTSMAN®

is a registered trademark of Stanley Black & Decker, Inc., used under license.
es una marca registrada de Stanley Black & Decker, Inc., utilizada bajo licencia.
est une marque déposée de Stanley Black & Decker, Inc., utilisée sous licence.

© 2019 CRAFTSMAN

Product Manufactured by:	EMERSON TOOL COMPANY
Producto fabricado por:	8100 W. Florissant • St. Louis, MO 63136
Produit fabriqué par :	U.S. & Canada Only • É.-U. et Canada seulement

Definiciones: Símbolos y palabras de alerta de seguridad

Este manual de instrucciones utiliza los siguientes símbolos y palabras de alerta de seguridad para alertarle a usted de situaciones peligrosas y su riesgo de lesiones corporales o daños materiales.

⚠ PELIGRO: Indica una situación peligrosa que, si no se evita, causará la muerte o lesiones graves.

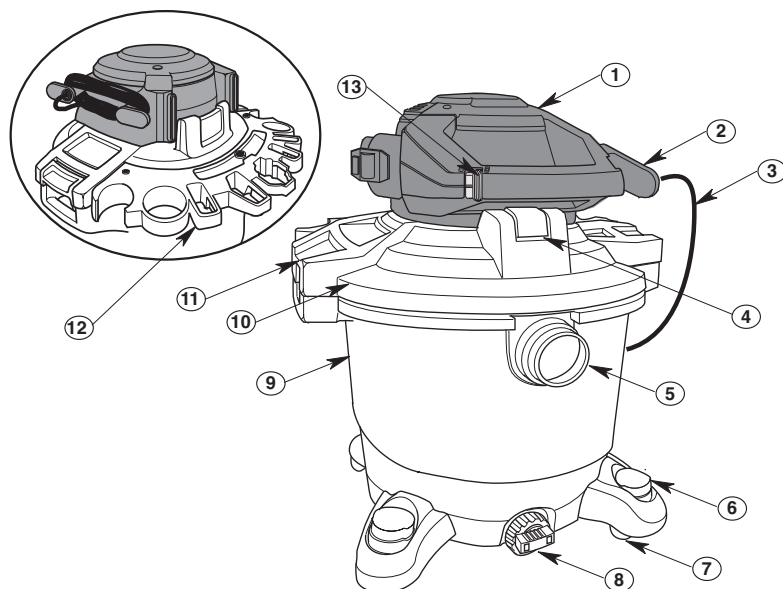
⚠ ADVERTENCIA: Indica una situación potencialmente peligrosa que, si no se evita, podría causar la muerte o lesiones graves.

⚠ PRECAUCIÓN: Indica una situación peligrosa que, si no se evita, es posible que cause lesiones leves o moderadas.

⚠ (Utilizado sin palabra) Indica un mensaje relacionado con la seguridad

⚠ AVISO: Indica una práctica no relacionada con lesiones corporales que, si no se evita, es posible que cause daños materiales.

Fig. A



Componentes

- ① Soplador desprendible
- ② Lengüetas para el cable de alimentación
- ③ Cable de alimentación
- ④ Pestillo del soplador desprendible
- ⑤ Orificio de entrada
- ⑥ Pie de ruedecilla con área de almacenamiento
- ⑦ Ruedecilla
- ⑧ Drenaje
- ⑨ Tambor para polvo
- ⑩ Ensamblaje del cabezal del motor
- ⑪ Pestillo
- ⑫ Almacenamiento de accesorios
- ⑬ Interruptor de ENCENDIDO y APAGADO

⚠ ADVERTENCIA: Lea todas las advertencias de seguridad y todas las instrucciones. Si no se siguen las advertencias e instrucciones, es posible que el resultado sea descargas eléctricas, incendio y/o lesiones graves.

⚠ ADVERTENCIA: No modifique nunca el producto ni ninguna parte del mismo. El resultado de hacerlo podría ser daños o lesiones corporales.

⚠ ADVERTENCIA: Para reducir el riesgo de lesiones, lea el manual de instrucciones.

Si tiene preguntas o comentarios sobre este o cualquier otro producto, llame gratis a CRAFTSMAN al: **1-888-331-4569.**

INSTRUCCIONES DE SEGURIDAD IMPORTANTES

Cuando utilice esta aspiradora, siga siempre las precauciones básicas de seguridad, incluyendo las siguientes:

⚠️ ADVERTENCIA:

Para reducir el riesgo de incendio, sacudidas eléctricas o lesiones:

- Lea y entienda este Manual de instrucciones y todas las etiquetas que están colocadas en la aspiradora antes de utilizarla.
- Utilice la aspiradora únicamente de la manera que se describe en este manual.
- No deje la aspiradora en marcha mientras esté desatendida. Usted podría no notar señales importantes que indiquen un funcionamiento anormal, tal como pérdida de succión, residuos o líquido que salen por el escape o ruidos anormales del motor. Deje de usar la aspiradora inmediatamente si observa estas señales.
- No abandone la aspiradora cuando esté enchufada. Desenchúfela del tomacorriente cuando no la esté utilizando y antes de realizar servicio de revisión.
- Las chispas que se producen en el interior del motor pueden incendiar los vapores inflamables o el polvo. Para reducir el riesgo de incendio o explosión: No use la aspiradora cerca de líquidos, gases, o polvos combustibles tales como gasolina u otros combustibles, líquido encendedor, limpiadores, pinturas a base de aceite, gas natural, polvo de carbón, polvo de magnesio, polvo de granos de cereal, polvo de aluminio o pólvora.
- No recoja con la aspiradora nada que esté ardiendo o humeando, como cigarrillos, fósforos o cenizas calientes.
- Para evitar el riesgo de autoignición de los residuos contenidos en el tambor, vacíe el tambor después de cada uso. Los materiales combustibles tales como los trapos y el aserrín, especialmente si contienen tinte para madera o uretano, pueden ser causas de dicho sobrecalentamiento.
- No recoja con la aspiradora polvo de pared de yeso ni ceniza fría de chimenea o otros polvos finos con un filtro estándar. Estos materiales pueden pasar por el filtro y ser expulsados de vuelta al aire. Utilice un filtro para polvo fino en lugar de un filtro estándar.
- Para reducir el riesgo de inhalar vapores tóxicos, no recoja con la aspiradora materiales tóxicos o peligrosos ni la use cerca de dichos materiales.
- Esta aspiradora mojado/seco no se destina para utilizarse por personas (incluyendo niños) cuyas capacidades físicas, sensoriales o mentales sean diferentes o estén reducidas, o carezcan de experiencia o conocimiento, a menos que dichas personas reciban una supervisión o capacitación para el funcionamiento del aparato por una persona responsable de su seguridad.
- Para reducir el riesgo de descargas eléctricas, no ponga la aspiradora a la lluvia ni deje que entren líquidos en el compartimiento del motor. Guarde la aspiradora en un lugar interior.
- No permita que la aspiradora se utilice como un juguete. Se necesita prestar máxima atención cuando sea utilizada por niños o cerca de éstos.
- No use la aspiradora con un filtro desgarrado o sin tener el filtro instalado, excepto cuando recoja con ella líquidos de la manera que se describe en este manual. Los residuos secos absorbidos por el impulsor podrían dañar el motor o ser expulsados de vuelta al aire.
- Apague la aspiradora antes de desenchufarla.
- Para reducir el riesgo de lesiones debidas a un arranque accidental, desenchúfe el cordón de energía antes de cambiar o limpiar el filtro.
- No desenchufe la aspiradora tirando del cordón. Para desenchufarla, agarre el enchufe y no el cordón.
- No use la aspiradora con el cordón dañado, el enchufe dañado u otras piezas dañadas. Si la aspiradora no funciona como debe, le faltan piezas, se ha caído, ha sido dañada, se ha dejado a la intemperie o se ha caído al agua, llame a servicio al cliente al 1-888-331-4569 (Mexico 001-881-331-4569).
- No maneje el enchufe, el interruptor o la aspiradora con las manos mojadas.
- No tire de la aspiradora usando el cordón ni la lleve por el cordón, ni use el cordón como asa, ni cierre una puerta sobre el cordón, ni tire del cordón alrededor de bordes o esquinas afilados. No pase la aspiradora en marcha sobre el cordón. Mantenga el cordón alejado de las superficies calientes.
- Utilice únicamente cordones de extensión que tengan capacidad nominal para uso a la intemperie. Los cables de extensión que estén en malas condiciones o tengan un tamaño de alambre demasiado pequeño pueden presentar peligros de incendio y descargas eléctricas. Para reducir el riesgo de estos peligros, asegúrese de que el cable esté en buenas condiciones y que no entre ningún líquido en contacto con la conexión. No utilice un cable de extensión que tenga conductores de tamaño inferior a 1,3 mm² (16 AWG).
- Esta aspiradora tiene aislamiento doble, lo cual elimina la necesidad de un sistema independiente de conexión a tierra. Utilice únicamente piezas de repuesto idénticas. Lea las instrucciones de servicio de revisión de las aspiradoras para mojado/seco con aislamiento doble.
- No ponga ningún objeto en las aberturas de ventilación. No recoja nada con la aspiradora cuando cualquiera de las aberturas de ventilación esté bloqueada; mantenga dichas aberturas libres de polvo, pelusa, pelo o cualquier cosa que pueda reducir el flujo de aire.
- Mantenga el pelo, la ropa holgada, los dedos y todas las partes del cuerpo alejados de las aberturas y de las piezas móviles.
- Para reducir el riesgo de caídas, tenga cuidado adicional al limpiar en escaleras.
- Para reducir el riesgo de lesiones de espalda o caídas, no levante una aspiradora que pese mucho debido a que contiene líquido o residuos. Saque parte del contenido de la aspiradora o drénela parcialmente.
- Para reducir el riesgo de lesiones corporales o daños a la aspiradora, utilice únicamente accesorios recomendados por CRAFTSMAN.
- Cuando utilice la aspiradora como soplador desmontable:
 - Dirija la descarga de aire solamente hacia el área de trabajo.
 - Apague la unidad antes de ponerla en el piso o de soltar el agarre del asa.
 - No deposite la unidad en líquido; el resultado podría ser descargas eléctricas.
 - No dirija el aire hacia las personas que estén presentes.
 - Mantenga alejados a los niños durante la operación de soplado.
 - No utilice el soplador para trabajos que no sean soplar suciedad y residuos.
 - No use la aspiradora como rociador.
- Para reducir el riesgo de lesiones en los ojos, use protección ocular de seguridad. La utilización de cualquier aspiradora utilitaria o soplador utilitario puede hacer que se soplen objetos extraños hacia los ojos, lo cual puede causar daños graves en los ojos.
- Para reducir el riesgo de resultar golpeado o jalado por una aspiradora que esté rodando, bloquee las ruedecillas cuando utilice la aspiradora sobre una superficie desigual o inclinada.

⚠ PRECAUCIÓN:

- Para reducir el riesgo de daños a la audición, use protectores de oídos cuando utilice la aspiradora durante un tiempo prolongado o en un área ruidosa.
- Para operaciones que generan polvo, use una máscara antipolvo.
- Las descargas de estática son comunes cuando la humedad relativa del aire es baja. Si recoge residuos finos con la aspiradora, se puede depositar carga estática en la manguera o en la aspiradora. El mejor remedio para reducir la frecuencia de las descargas de estática en su casa o cuando use esta aspiradora es añadir humedad al aire con un humidificador.

⚠ ADVERTENCIA:

Cuando utilice el soplador: Use anteojos de seguridad que tengan la etiqueta "ANSI Z87.1" en el paquete. Apague la unidad antes de dejarla en el piso o dejar de agarrar el asa. Podrían producirse descargas eléctricas si se utiliza en superficies mojadas. Dirija la descarga de la herramienta solamente hacia el área de trabajo. No dirija la descarga hacia las personas que se encuentren presentes. Mantenga alejados a los niños.

Siga las siguientes advertencias que aparecen en la caja del motor de la aspiradora.



AISLAMIENTO DOBLE.

NO SE REQUIERE CONEXION A TIERRA.

CUANDO HAGA SERVICIO DE REVISIÓN DE LA ASPIRADORA, UTILICE ÚNICAMENTE PIEZAS DE REPUESTO IDÉNTICAS.

⚠ ADVERTENCIA:

- Para su propia seguridad, lea y entienda el manual del operador.
- No tenga en marcha la aspiradora desatendida.
- No recoja cenizas calientes, brasas, materiales inflamables, combustibles / autoincendiables o tóxicos, ni otros materiales peligrosos.
- No utilice la aspiradora en las proximidades de líquidos o vapores explosivos.

⚠ ADVERTENCIA:

Para reducir el riesgo de sacudidas eléctricas, no exponga la aspiradora a la lluvia y almacénela en interiores.

REEMPLAZO GRATUITO DE LAS ETIQUETAS DE ADVERTENCIA: Si sus etiquetas de advertencia se vuelven ilegibles o faltan, llame al **1-888-331-4569** para obtener un reemplazo gratis.

GUARDE ESTAS INSTRUCCIONES

INTRODUCCIÓN

Esta aspiradora para mojado/seco está diseñada para uso doméstico. Se puede utilizar para recoger materiales mojados o secos y se puede usar como soplador.

Lea este manual del operador para familiarizarse con las características del producto y para entender la utilización específica de su nueva aspiradora para mojado/seco.

ÍNDICE

Sección	Página
Instrucciones de seguridad importantes	45-46
Introducción	46
Contenido de la caja de cartón	47
Instalación	48-51
Ensamblaje de los pies de ruedecilla	48
Ensamblaje de las ruedecillas	48
Ensamblaje de la unidad de almacenamiento de accesorios	49
Ensamblaje / remoción del cabezal del motor	49
Posición del soplador desprendible	50
Introduzca la manguera	51
Almacenamiento de accesorios	51
Almacenamiento del cable	51
Almacenamiento de la manguera	51
Funcionamiento	52-55
Enchufe polarizado	52
Interruptor de encendido	52
Recogida de materiales secos con la aspiradora	53
Recogida de líquidos con la aspiradora	53
Vaciado del tambor	53
Traslado de la aspiradora para mojado/seco	54

Sección	Página
Silenciador / difusor	54
Dispositivo de soplado	54
Utilización del soplador desprendible para "soplar"	55
Mantenimiento	56-59
Orificio del soplador desprendible	56
Filtro	57
Remoción e instalación del filtro Qwik Lock™	57
Bolsa de filtro	58
Instalación de la bolsa de filtro	58
Remoción de la bolsa de filtro	58
Limpieza del filtro	59
Limpieza de un filtro seco	59
Limpieza de un filtro mojado	59
Limpieza y desinfección de la aspiradora para mojado/seco	59
Ruedecillas	59
Almacenamiento	59
Servicio / Piezas de repuesto	60-61
Servicio de ajustes y reparaciones de una aspiradora para mojado/seco con aislamiento doble	60
Garantía	63

CONTENIDO DE LA CAJA DE CARTÓN (Fig. B)

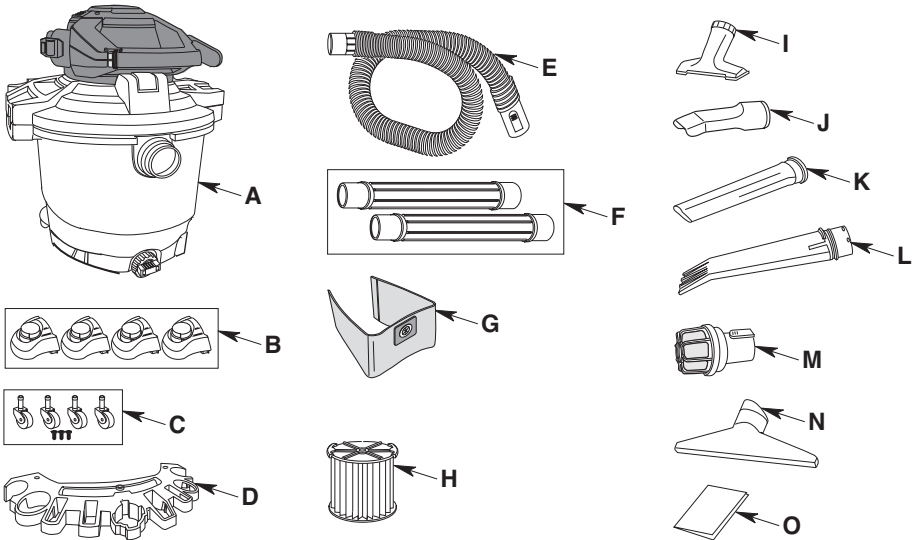
Lég.	Description	CMXEVB176060	CMXEVB176070
		45 Litros (12 Galones)	60 Litros (16 Galones)
A	Ensamblaje de la aspiradora	45 Litros (12 Galones)	60 Litros (16 Galones)
B	Pies de ruedecillas	4	4
C	Ruedecillas pivotantes Herrajes: Tres tornillos #10 x 19 mm (3/4 de pulg.) del área de almacenamiento de accesorios	4	4
D	Almacenamiento de accesorios	1	1
E	Manguera	1	1
F	Tubos extensores	2	2
G	Bolsa de filtro	1	1
H*	Filtro Qwik Lock™	1	1
I	Boquilla utilitaria	1	1
J	Boquilla para auto	1	1
K	Boquilla rinconera	1	1
L	Boquilla sopladora	1	1
M	Silenciador/difusor	No se incluye	1
N	Boquilla para residuos mojados	No se incluye	1
O	Manual de instrucciones	1	1

* Es posible que los artículos vengan preensamblados.

Saque todo el contenido de la caja de cartón. Asegúrese de que no falte ningún artículo utilizando la lista del contenido de la caja.

Si alguna pieza está dañada o falta, llame de inmediato a servicio al cliente al 1-888-331-4569 (Mexico 001-881-331-4569).

Fig. B



Herramientas necesarias:



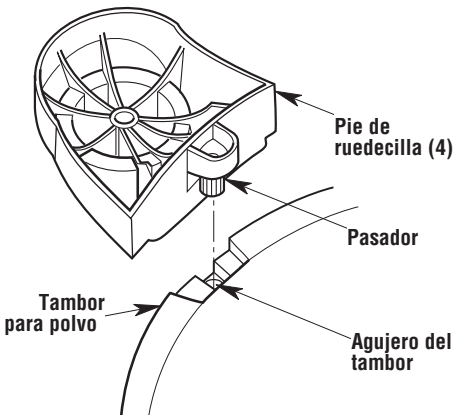
Destornillador Phillips

INSTALACIÓN

Ensamblaje de los pies de ruedecilla (Fig. C)

1. Retire el ensamblaje del cabezal del motor del tambor para polvo y póngalo a un lado.
2. Ponga el tambor para polvo en posición invertida en el piso.
3. Inserte los pies de ruedecilla en la parte inferior del tambor, de la manera que se muestra en la ilustración (4 lugares).
4. Empuje sobre el pie de ruedecilla hasta que dicho pie esté al ras con la parte inferior del tambor para polvo.

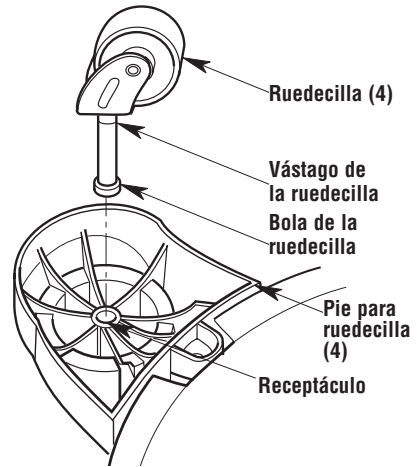
Fig. C



Ensamblaje de las ruedecillas (Fig. D)

1. Inserte el vástago de la ruedecilla en el receptáculo del pie de ruedecilla, de la manera que se muestra en la ilustración (4 lugares).
2. Empuje sobre la ruedecilla hasta que la esfera ubicada en el vástago de la ruedecilla esté insertada por completo en el receptáculo. Escuchará como la esfera se acopla a presión en el receptáculo y la ruedecilla girará fácilmente cuando el posicionamiento sea correcto.
3. Ponga el tambor en posición al derecho.

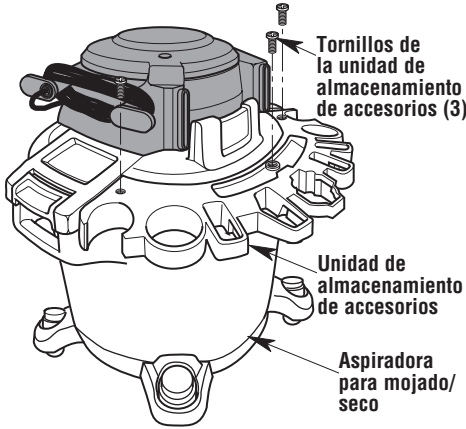
Fig. D



Ensamblaje de la unidad de almacenamiento de accesorios (Fig. E)

1. Posicione la unidad de almacenamiento de accesorios sobre el ensamblaje del cabezal del motor en la parte trasera de la unidad.
2. Alinee los tres agujeros de la unidad de almacenamiento de accesorios con los tres agujeros del ensamblaje del cabezal del motor. Sujete firmemente la unidad de almacenamiento de accesorios utilizando los tres tornillos #10 x 19 mm (3/4 de pulg.) suministrados.

Fig. E



Ensamblaje / remoción del cabezal del motor (Fig. F)

Para reinstalar el ensamblaje del cabezal del motor en el tambor:

1. Alinee el ensamblaje del soplador desmontable con el orificio de aspiración ubicado en la parte delantera del tambor para polvo.

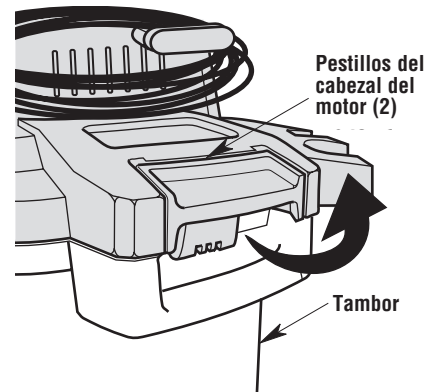
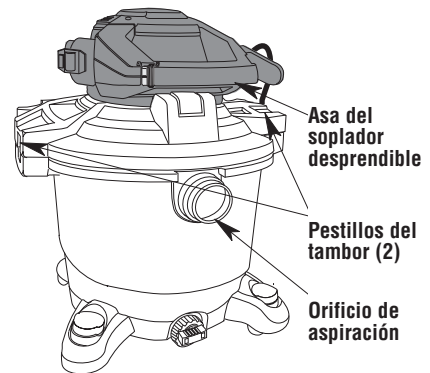
NOTA: El cabezal del motor debe estar alineado con el tambor para instalarlo correctamente.

2. Coloque el ensamblaje del cabezal del motor sobre el tambor de manera que los pestillos del tambor ubicados en el cabezal del motor descansen sobre las asas del tambor, de la manera que se muestra en la ilustración.
3. Presione hacia abajo sobre los pestillos del tambor para sujetar firmemente el ensamblaje del cabezal del motor al tambor. Jale ligeramente hacia arriba el asa superior para asegurarse de que el ensamblaje del cabezal del motor esté sujeto al tambor para polvo.

Para retirar el ensamblaje del cabezal del motor separándolo del tambor:

Levante los dos pestillos y retire el cabezal del motor separándolo del tambor.

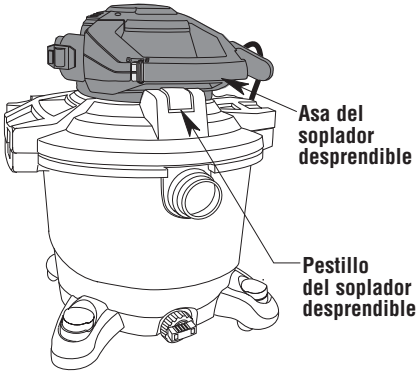
Fig. F



Posición del soplador desprendible

1. Fig. G: Para retirar el soplador desprendible del ensamblaje del cabezal del motor, presione hacia abajo sobre el soplador desprendible ubicado debajo del asa del soplador desprendible y levante el soplador hasta separarlo del cabezal del motor del soplador.

Fig. G



2. Fig. H: Para reinstalar el soplador desprendible sobre el ensamblaje del cabezal del motor, posicione el soplador desprendible sobre el área indentada del ensamblaje del cabezal del motor y alinéelo con las guías traseras. Rote el soplador desprendible hacia abajo hasta que la unidad se detenga en su recorrido.

Fig. H

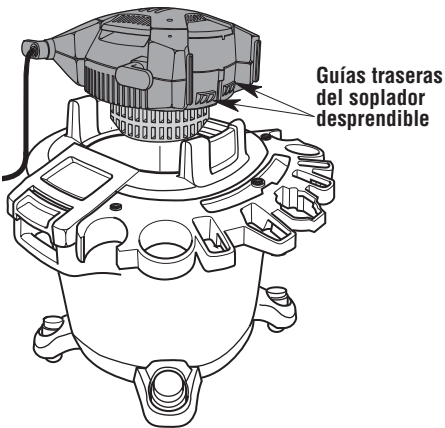
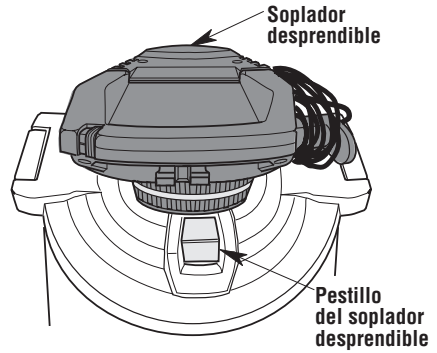
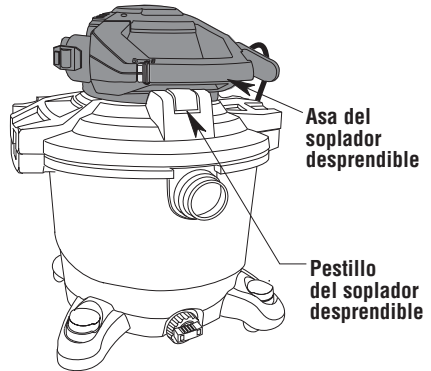


Fig. I



3. Fig. J: Presione ligeramente hacia abajo sobre el asa del soplador desprendible del soplador hasta que oiga el ruido seco del pestillo del soplador desprendible cuando se acople en el soplador desprendible. El soplador desprendible estará ahora sujeto con los pestillos al ensamblaje del cabezal del motor.
4. Su nueva aspiradora para mojado/seco está lista para utilizarse.

Fig. J

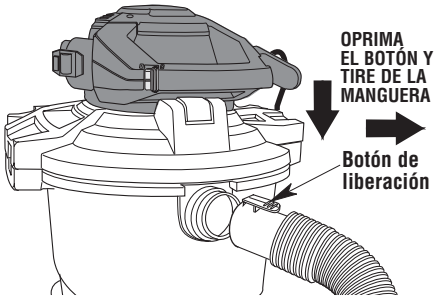


Introduzca la manguera (Fig. K)

Inserte el extremo de fijación del ensamble de la manguera en la entrada de la aspiradora. La manguera debería acoplarse a presión en su sitio.

Para sacar la manguera de la aspiradora, oprima el botón de liberación ubicado en el ensamble de la manguera y tire de la manguera hasta sacarla de la entrada de la aspiradora, de la manera que se muestra en la ilustración.

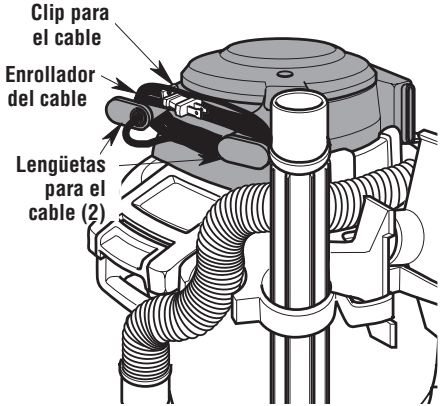
Fig. K



Almacenamiento del cable (Fig. M)

Enrolle el cable de alimentación alrededor de las lengüetas para el cable ubicadas en el soplador desprendible. Acople a presión el cable de alimentación en el clip para cable con el fin de fijarlo.

Fig. M

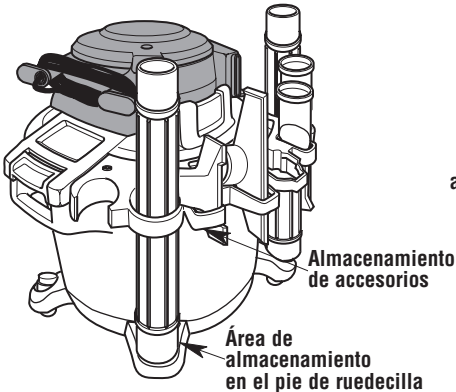


Almacenamiento de accesorios (Fig. L)

La unidad de almacenamiento de accesorios de su aspiradora para mojado/seco Craftsman está ubicada en la parte trasera de la aspiradora.

Hay nueve ubicaciones de almacenamiento en la unidad de almacenamiento de accesorios y una ubicación de almacenamiento en cada pie de ruedecilla.

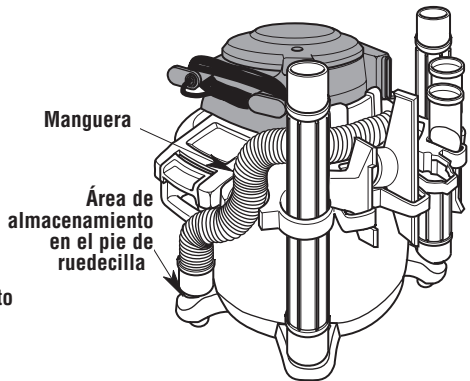
Fig. L



Almacenamiento de la manguera (Fig. N)

La manguera se puede almacenar enrollándola alrededor del ensamble del cabezal del motor, posicionándola a través de la unidad de almacenamiento de accesorios y fijando el extremo de la manguera en el área de almacenamiento del pie de ruedecilla.

Fig. N



FUNCIONAMIENTO

⚠ ADVERTENCIA: Para reducir el riesgo de incendio, explosión o daños a la aspiradora:

- No deje la aspiradora en marcha mientras esté desatendida. Usted podría no notar señales importantes que indiquen un funcionamiento anormal, tal como pérdida de succión, residuos o líquido que salen por el escape o ruidos anormales del motor. Deje de usar la aspiradora inmediatamente si observa estas señales.
- No deje la aspiradora enchufada cuando no se esté utilizando.
- No continúe usando la aspiradora cuando el flotador haya cortado la succión.
- Las chispas generadas dentro del motor pueden incendiar los materiales inflamables suspendidos en el aire. No utilice la aspiradora cerca de líquidos inflamables ni en áreas con gases o vapores inflamables o polvo explosivo/suspendido en el aire. Los líquidos inflamables, gases inflamables y los vapores inflamables incluyen: líquido encendedor, limpiadores tipo solvente, pinturas a base de aceite, gasolina, alcohol y rociadores tipo aerosol. Los polvos explosivos incluyen: carbón, magnesio, aluminio, grano de cereal y pólvora.
- No recoja con la aspiradora polvos explosivos, líquidos inflamables ni cenizas calientes.
- No deje aserrín ni trapos con residuos de tinte o de poliuretano dentro de la aspiradora. Vacíe el tambor después de recoger estos materiales potencialmente autocalentables.

⚠ ADVERTENCIA: Para reducir el riesgo de descargas eléctricas o lesiones:

- Mantenga los cables eléctricos en buenas condiciones. No utilice cables desgastados, pelados o deshilachados, porque pueden causar descargas eléctricas.
- La utilización de equipo a bajo voltaje puede hacer que se sobrecaliente. La utilización de un cable de extensión excesivamente largo puede hacer que el cable se sobrecaliente.
- No exponga la aspiradora a la lluvia ni deje que entre líquido en el compartimiento del motor. Almacene la aspiradora en un lugar interior.
- No maneje el enchufe, el interruptor o la aspiradora con las manos mojadas.

- No haga servicio de ajustes y reparaciones de la aspiradora mientras esté enchufada. Si la aspiradora no está funcionando como debería, le faltan piezas, se ha caído, está dañada, se ha dejado a la intemperie o se ha caído al agua, llame a servicio al cliente al 1-888-331-4569 (Mexico 001-881-331-4569).
- Cuando utilice un cordón de extensión, utilice únicamente cordones con capacidad nominal para uso a la intemperie que estén en buenas condiciones. No deje que la conexión entre en contacto con líquido.

⚠ PRECAUCIÓN:

Para reducir el riesgo de daños a la audición, use protectores de oídos cuando utilice la aspiradora/soplador durante un tiempo prolongado o en un área ruidosa.

Enchufe polarizado

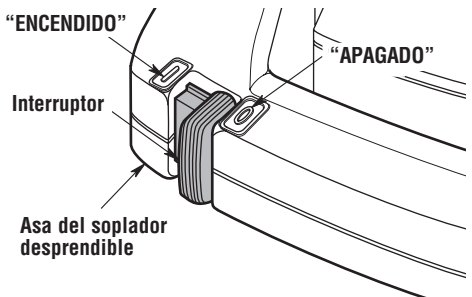
Para reducir el riesgo de sacudidas eléctricas, este aparato electrodoméstico tiene un enchufe polarizado (una hoja es más ancha que la otra). Este enchufe entrará en un tomacorriente polarizado solamente de una manera. Si el enchufe no entra por completo en el tomacorriente, déle la vuelta. Si sigue sin entrar, póngase en contacto con un electricista competente para instalar el tomacorriente adecuado. No haga ningún tipo de cambio en el enchufe.

Interruptor de encendido (Fig. 0)

Después de enchufar el cordón de energía en el tomacorriente, encienda la unidad empujando el interruptor de la posición "O" a la posición "I". Los símbolos utilizados en el accionador del interruptor son los símbolos internacionales de "encendido y apagado":

○ = APAGADO | = ENCENDIDO

Fig. 0



Recogida de materiales secos con la aspiradora

1. El filtro debe estar siempre en la posición correcta para reducir el riesgo de fugas y posibles daños a la aspiradora.
2. Cuando utilice la aspiradora para recoger polvo muy fino, será necesario que usted vacíe el tambor y limpie el filtro a intervalos más frecuentes para mantener el máximo rendimiento de la aspiradora. Se recomiendan el filtro Quick Lock™ y una bolsa de filtro para mejorar el rendimiento de aspiración de polvo fino.

NOTA: Se necesita un filtro para medios secos para recoger material seco. Si utiliza la aspiradora para recoger polvo cuando el filtro esté mojado, éste se taponará rápidamente y será muy difícil limpiarlo.

Recogida de líquidos con la aspiradora

⚠ **ADVERTENCIA:**

No utilice la aspiradora sin la jaula del filtro y el flotador, ya que estas piezas evitan que entre líquido en el impulsor y dañe el motor. Para recoger material seco, no utilice la aspiradora sin tener instalada la bolsa de filtro, para reducir el riesgo de daños al motor.

⚠ **ADVERTENCIA:**

Para reducir el riesgo de incendio o explosión, no aspire líquidos, gases ni polvos inflamables o combustibles.

1. Cuando recoja cantidades pequeñas de líquido, se podrá dejar colocado el filtro en la aspiradora.
2. Cuando recoja cantidades grandes de líquido, recomendamos quitar el filtro. Si no se quita el filtro, éste se saturará y es posible que aparezca niebla en el escape.
3. Después de utilizar la aspiradora para recoger líquidos, se debe secar el filtro para evitar una posible formación de moho y posibles daños al filtro.
4. Cuando el líquido contenido en el tambor de la aspiradora alcance un nivel predeterminado, el mecanismo de flotador subirá automáticamente para cortar la circulación de aire. Cuando esto ocurra, apague la aspiradora, desenchufe el cordón de energía y vacíe el tambor. Sabrá que el flotador ha cortado la circulación de aire porque la succión cesará y el ruido del motor alcanzará una frecuencia más alta debido al aumento de la velocidad del motor.

IMPORTANTE: Para reducir el riesgo de dañar la aspiradora, no haga funcionar el motor con el flotador en la posición subida.

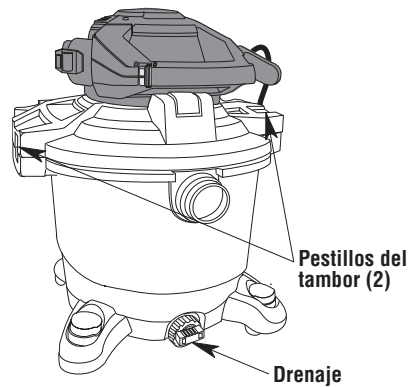
Vaciado del tambor (Fig. P)

1. Retire el ensamblaje del cabezal del motor. Jale los pestillos para liberar dicho ensamblaje del tambor.
2. Levante el ensamblaje del cabezal del motor alejándolo del tambor.
3. Coloque el ensamblaje del cabezal del motor en posición invertida sobre un área limpia mientras vacía el tambor.
4. Deseche el contenido del tambor en el recipiente de eliminación de residuos adecuado.
5. Si la aspiradora viene equipada con un drenaje, simplemente desenrosque la tapa del drenaje y levante ligeramente el lado opuesto para vaciar el tambor.

⚠ **ADVERTENCIA:**

Para reducir el riesgo de lesiones en la espalda o de caídas, no levante una aspiradora que pese mucho debido a que contiene líquido o residuos. Saque o vierta bastante contenido para hacer que la aspiradora sea lo suficientemente liviana como para poder levantarla cómodamente.

Fig. P



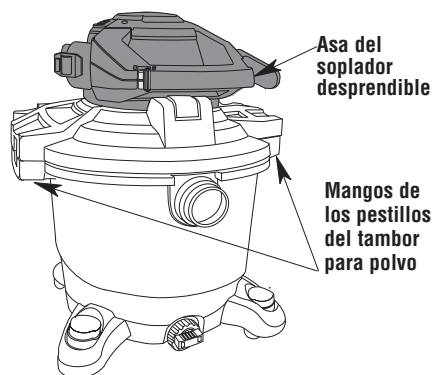
Traslado de la aspiradora para mojado/seco (Fig. Q)

NOTA: No levante el ensamblaje del cabezal del motor por el asa del soplador desprendible.

En el caso de que sea necesario levantar la aspiradora para trasladarla, utilice los mangos de los pestillos del tambor para polvo.

Para maniobrar la aspiradora, utilice solamente el mango del soplador desprendible.

Fig. Q

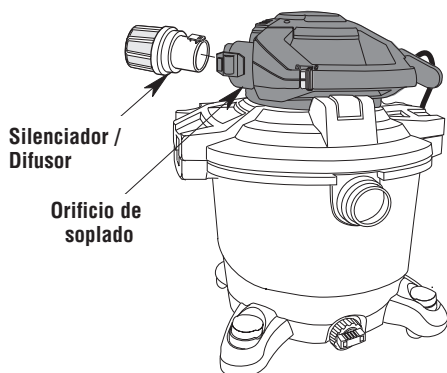


Silenciador / difusor 60 Litros (16 Galones) CMXEVB176070 (Fig. R)

Inserte el extremo de fijación del silenciador / difusor (incluido con el modelo número CMXEVB176070) en el orificio de soplado de la aspiradora. El silenciador/difusor debería acoplarse a presión en la posición correcta.

El silenciador / difusor suprime el ruido del motor y dispersa el aire del escape, y se puede utilizar mientras se aspira en interiores o exteriores.

Fig. R



Dispositivo de soplado (Fig. S)

La aspiradora para mojado/seco tiene un "soplador desprendible". La aspiradora tiene capacidad para utilizarse como un soplador especializado para realizar trabajo de jardín, limpieza de patios y aplicaciones de taller para soplar aserrín y otros residuos.

1. Familiarícese con la parte del soplador desprendible de la aspiradora para mojado/seco.
2. Retire el soplador desprendible de la aspiradora presionando hacia abajo sobre el pestillo del cabezal del motor ubicado justo debajo del asa del soplador. Este pestillo sujeta el soplador desprendible al ensamblaje del cabezal del motor.
3. Levante por el asa el soplador desprendible para separarlo de la aspiradora.

⚠ ADVERTENCIA:

Use siempre protectores oculares de seguridad que cumplan con la norma ANSI Z87.1 (o en Canadá, con la norma CSA Z94.3) antes de utilizar la aspiradora como soplador.

⚠ ADVERTENCIA:

Para reducir el riesgo de lesiones a las personas que estén presentes, manténgalas alejadas de los residuos soplados.

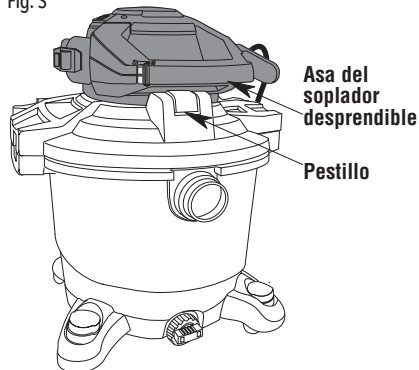
⚠ PRECAUCIÓN:

Use una máscara antipolvo si el soplador genera polvo que podría ser inhalado.

⚠ PRECAUCIÓN:

Para reducir el riesgo de daños a la audición, use protectores de oídos cuando utilice la aspiradora/soplador durante un tiempo prolongado o en un área ruidosa.

Fig. S

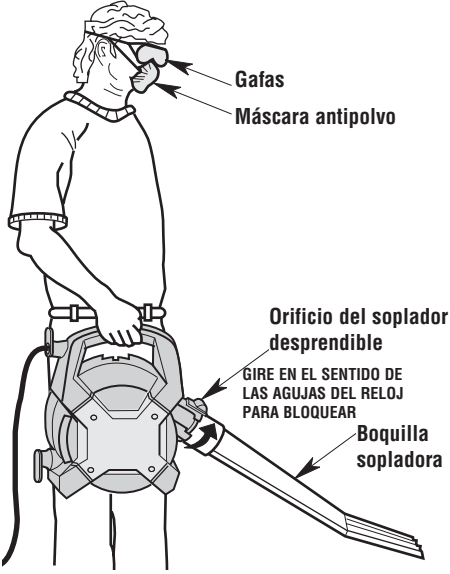


Utilización del soplador desprendible para "soplar"

Dos métodos sugeridos para utilizar el soplador son:

1. Fig. T: Inserte el extremo redondo de la boquilla del soplador en el orificio del soplador desprendible y gírelo en el sentido de las agujas del reloj para que quede fijo.

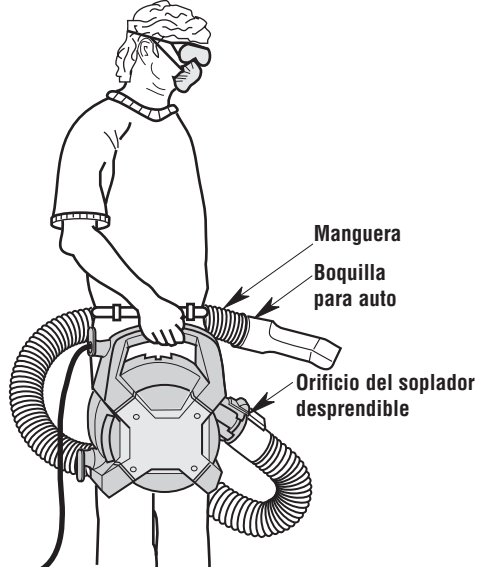
Fig. T



2. Fig. U: La aspiradora para mojado/seco también puede utilizarse para soplar utilizando la manguera de siete pies de longitud suministrada con la aspiradora para mojado/seco. Instale el extremo con botón pulsador de la manguera de aspiración en el orificio de soplado del soplador desprendible.

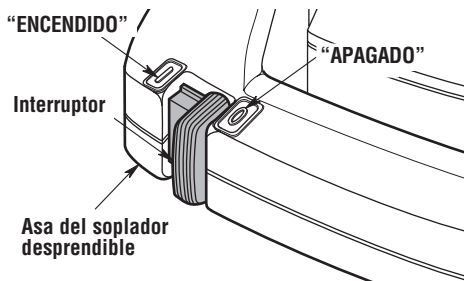
Para tener control adicional, se puede añadir un tubo extensor y/o una boquilla para auto en el extremo opuesto de la manguera. Una vez hecho esto, la unidad estará lista para realizar aplicaciones de soplado.

Fig. U



3. Fig. V: ENCIENDA el soplador deslizando el interruptor ubicado en el asa del soplador hasta la posición "I".

Fig. V



MANTENIMIENTO

Entrada del soplador desprendible (Fig. W)

⚠ ADVERTENCIA:

Para reducir el riesgo de lesiones debidas a un arranque accidental, desenchufe el cordón de energía antes de cambiar o limpiar el filtro o la almohadilla de espuma.

Después de usar el soplador desprendible de la aspiradora para mojado/seco, examine el fondo del soplador para ver si hay polvo y residuos. Compruebe si la entrada al soplador tiene residuos adheridos a las aberturas de ventilación de plástico y la almohadilla de espuma.

Para limpiar la almohadilla de espuma debajo del escudo de la entrada del soplador desprendible:

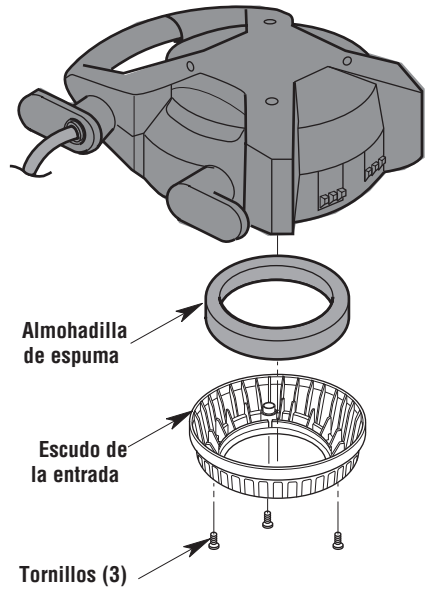
1. Retire y retenga los tres tornillos que sujetan el escudo de la entrada.
2. Levante el escudo de la entrada de la aspiradora.
3. Retire la almohadilla de espuma del escudo de la entrada.
4. Limpie la almohadilla de espuma en agua jabonosa templada o cepíllela para eliminar los residuos. Deje que la almohadilla de espuma se seque.
5. Examine la almohadilla de espuma para determinar si está dañada o desgastada. Si necesita ser reemplazada, la almohadilla de espuma de repuesto está indicada en la Sección de Piezas de Repuesto de este manual.
6. Reensamble la almohadilla de espuma en el escudo de la entrada.
7. Reinstale el escudo de la entrada utilizando los tres tornillos que se retiraron en el Paso 1.

La unidad está lista para utilizarse.

⚠ ADVERTENCIA:

No utilice la aspiradora sin instalar el escudo de la entrada.

Fig. W



Filtro

⚠ ADVERTENCIA:

Para reducir el riesgo de lesiones por causa de un arranque accidental, desenchufe el cordón de energía antes de cambiar o limpiar el filtro.

NOTA: Este filtro está hecho de papel de alta calidad diseñado para detener partículas de polvo muy pequeñas. El filtro se puede utilizar para recoger material mojado o seco. Maneje el filtro con cuidado cuando lo quite para limpiarlo o cuando lo instale. Es posible que se formen arrugas en los pliegues del filtro como resultado de la instalación, pero las arrugas no afectarán el rendimiento del filtro.

Remoción e instalación del filtro Qwik Lock™ (Fig. X)

IMPORTANTE: Para evitar dañar la rueda del soplador y el motor, reinstale siempre el filtro antes de utilizar la aspiradora para recoger material seco.

Remoción del filtro

1. Sostenga las lengüetas del filtro Qwik Lock™ en cada mano.
2. Con un dedo pulgar en el vástago Qwik Lock™, que sobresale a través de la placa del filtro integrada, levante las lengüetas del filtro a la vez que empuja hacia abajo sobre el vástago.
3. Esta acción hará que el filtro se suelte de la jaula del filtro. Deslice el filtro hasta retirarlo de la jaula.

⚠ ADVERTENCIA:

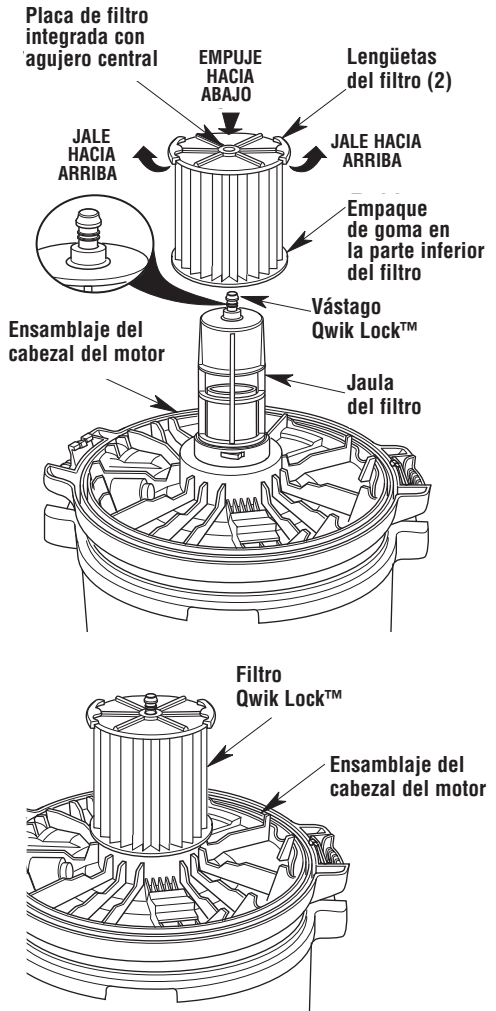
No utilice la aspiradora sin la jaula del filtro y el flotador, ya que estas piezas evitan que entre líquido en el impulsor y dañe el motor.

Instalación del filtro

1. Deslice cuidadosamente el filtro Qwik Lock™ sobre la jaula del filtro y presione hacia abajo sobre el borde exterior del filtro hasta que el empaque de goma ubicado en la parte inferior del filtro se asiente firmemente alrededor de la base de la jaula del filtro y contra el ensamblaje del cabezal del motor.
2. Alinee el agujero central pequeño ubicado en la parte superior del filtro sobre el vástago Qwik Lock™ ubicado en la jaula del filtro. Presione firmemente sobre la parte de arriba del filtro cerca del vástago, para permitir que el filtro se acople a presión sobre la bola ubicada en el extremo del vástago. Una vez hecho esto, el filtro estará instalado.

NOTA: Si no se asienta apropiadamente el empaque inferior, el resultado podría ser que los residuos pasen por alto el filtro.

Fig. X



Bolsa de filtro

⚠ ADVERTENCIA:

Para evitar los peligros para la salud por causa de vapores o polvo, no aspire materiales tóxicos o cancerígenos ni otros materiales peligrosos, tales como asbesto, arsénico, bario, berilio, plomo, pesticidas u otros materiales que pongan en peligro la salud.

⚠ PRECAUCIÓN:

Para evitar derramar los residuos, cuando recoja material pesado o afilado, monitoree el volumen de la bolsa y no la llene excesivamente.

Instalación de la bolsa de filtro (Fig. Y)

Se podrá utilizar una bolsa de filtro en lugar de o además del filtro de cartucho Qwik Lock™.

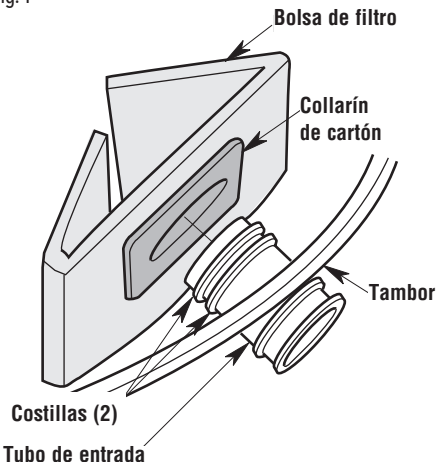
Hay bolsas de filtro de repuesto disponibles:

NOTA: Consulte la lista de piezas de repuesto para obtener el número de pieza.

NOTA: Cuando recoja residuos secos, se debe instalar correctamente una bolsa de filtro o un filtro de cartucho.

1. La bolsa de filtro se deberá utilizar solamente para recoger residuos secos.
2. Se requiere un posicionamiento correcto del collarín de cartón para asegurar un sello adecuado.
3. Localice las dos costillas ubicadas en el tubo de entrada, dentro del tambor.
4. Deslice el collarín de cartón sobre el tubo de entrada y posicione dicho collarín de cartón entre las dos costillas.
5. Con el collarín de cartón instalado firmemente, despliegue y posicione la bolsa de filtro dentro del tambor, de la manera que se muestra en la ilustración.

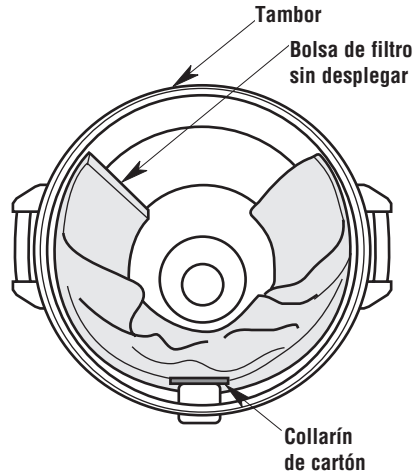
Fig. Y



Remoción de la bolsa de filtro (Fig. Z)

1. Deslice el collarín de cartón hacia el centro del tambor de la aspiradora.
2. Retire la bolsa de filtro del tambor de la aspiradora y deséchela.
3. Instale la bolsa de filtro nueva.

Fig. Z



Limpeza del filtro

El filtro se debe limpiar a menudo para mantener un rendimiento óptimo de la aspiradora.

Limpeza de un filtro seco

1. Se puede lograr un poco de remoción de residuos secos sin quitar el filtro de la aspiradora. Dé una palmada con la mano sobre la parte superior del ensamblaje del cabezal del motor mientras la aspiradora está apagada.
2. Para obtener óptimos resultados de limpieza debido a la acumulación de polvo, limpie el filtro en un área abierta. La limpieza SE DEBE realizar al aire libre y no en el interior de la vivienda.
3. Después de quitar el filtro de la aspiradora, saque los residuos secos golpeando suavemente el filtro contra la pared interior del tambor para polvo. Los residuos se soltarán y caerán.
4. Para una limpieza a fondo del filtro seco con polvo fino (sin residuos), haga pasar agua a través del filtro tal como se describe bajo "Limpeza de un filtro mojado".

Limpeza de un filtro mojado

Después de quitar el filtro, haga pasar agua a través de él usando una manguera o desde una espita. Tenga cuidado de que la presión del agua procedente de la manguera no sea tan fuerte como para dañar el filtro.

IMPORTANTE: Después de limpiar el filtro, compruebe si éste tiene desgarraduras o agujeros pequeños. Las desgarraduras y los agujeros en el filtro pueden hacer que los residuos y el polvo sean sopladados al exterior de la aspiradora. No use un filtro que tenga agujeros o desgarraduras. Cámbielo inmediatamente.

Deje que el filtro se seque antes de reinstalarlo y almacenar la aspiradora o recoger residuos secos.

Limpeza y desinfección de la aspiradora para mojado/seco

Para mantener el mejor aspecto posible de la aspiradora para mojado/seco, limpie su exterior con un paño humedecido con agua templada y un jabón suave.

Para limpiar el tambor:

1. Vacíe los residuos del tambor.
2. Lave a fondo el tambor con agua templada y un jabón suave.
3. Limpie el tambor con un paño seco.

Antes de un almacenamiento prolongado o según sea necesario (por ejemplo, si se recogen aguas residuales), se debe desinfectar el tambor.

Para desinfectar el tambor:

1. Vierta 4 L (1 galón) de agua y 5 mL (1 cucharadita) de blanqueador de cloro en el tambor.
2. Deje que la solución repose durante 20 minutos y agítela cuidadosamente cada pocos minutos, asegurándose de mojar todas las superficies interiores del tambor.
3. Vacíe el tambor después de 20 minutos. Enjuáguelo con agua hasta que el olor a blanqueador desaparezca. Deje que el tambor se seque completamente antes de sellar el motor sobre el tambor.

Ruedecillas

Si las ruedecillas hacen ruido, puede poner una gota de aceite en el eje del rodillo para que hagan menos ruido.

Almacenamiento

Antes de almacenar la aspiradora, se debe vaciar y limpiar el tambor para polvo. El cable de alimentación se deberá enrollar alrededor del enrollador del cable y la manguera se deberá almacenar tal y como se describe en este manual. Los accesorios se deben mantener en la misma área que la aspiradora para que estén al alcance de la mano cuando se necesiten. La aspiradora se debe almacenar en interiores.

ADVERTENCIA:

Para garantizar la SEGURIDAD y CONFIABILIDAD del producto, cualquier otro mantenimiento reparación y ajuste deberá ser realizado por los Centros de Servicio Autorizados, utilizando siempre piezas de repuesto CRAFTSMAN.

SERVICIO / PIEZAS DE REPUESTO


**Aspiradora para mojado/seco
con soplador desprendible
de 45 Litros (12 Galones)
No. de modelo CMXEVE176060**

**Clasificaciones eléctricas:
120 V~ 10 A 60 Hz**

**Aspiradora para mojado/seco
con soplador desprendible
de 60 Litros (16 Galones)
No. de modelo CMXEVE176070**

**Clasificaciones eléctricas:
120 V~ 12 A 60 Hz**

⚠ ADVERTENCIA: SERVICIO DE AJUSTES Y REPARACIONES DE UNA ASPIRADORA PARA MOJADO/SECO CON AISLAMIENTO DOBLE

En una aspiradora para mojado/seco con aislamiento doble se proporcionan dos sistemas de aislamiento en vez de conexión a tierra. No se proporciona ningún medio de conexión a tierra en un aparato electro-doméstico con aislamiento doble, ni se debe añadir a éste ningún medio de conexión a tierra. El servicio de ajustes y reparaciones de una aspiradora para mojado/seco con aislamiento doble requiere extremado cuidado y conocimiento del sistema, y debe ser realizado únicamente por personal de servicio competente. Las piezas de repuesto para la aspiradora para mojado/seco con aislamiento doble deben ser idénticas a las piezas que reemplazan. La aspiradora para mojado/seco con aislamiento doble está marcada con las palabras "DOUBLE INSULATED" (con aislamiento doble) y puede que el símbolo  (un cuadrado dentro de un cuadrado) también esté marcado en los aparatos.

Para reducir el riesgo de lesiones, desenchufe el cable de alimentación antes de realizar servicio de ajustes y reparaciones de la aspiradora para mojado/seco.

No. de clave	45 Litros (12 Galones) No. de pieza	60 Litros (16 Galones) No. de pieza	Descripción
1	510588	510588	Ensamblaje del soplador
2	73180	73180	Interruptor
3	833177	833177	Girador del cable
4	829718-7	829718-7	Cable de alimentación con enchufe
5	833167	833167	Almohadilla de espuma
6	818961	818961	Separador
7	832804-1	818413	Rueda del soplador
8	315534-1	315534-1	Arandela
9	826817	826817	Tuerca hexagonal con pestaña
10	841224	841224	Tapa
11	826338-1	826338-1	Pestillo del soplador
12	510729	510729-1	Ensamblaje de la tapa
13	820563-7	820563-7	Tornillo de cabeza troncocónica #10 x 19 mm (3/4 de pulg.)
14	509488	509488	Flotador
15	833521-1	833521-1	Jaula del filtro
16	CMXZVBE38754	CMXZVBE38754	Filtro Qwik Lock™
17	841265	841265	Pestillo del tambor
18	510708	510709	Tambor (incluye el núm. de clave 19)
19	73185	73185	Tapa de drenaje
20	828460	828460	Pie de ruedecilla
21	73102	73102	Ruedecilla pivotante (cant. 1)
22	510589	510589	Unidad de almacenamiento de accesorios con herrajes
23	CMXZVBE38763	CMXZVBE38763	Manguera
24	833169	833169	Boquilla sopladora
25	3CMXZVBE38630	CMXZVBE38630	Boquilla utilitaria
26	CMXZVBE38620	CMXZVBE38620	Boquilla para auto
27	CMXZVBE37035	CMXZVBE37035	Boquilla rinconera
28	CMXZVBE38735	CMXZVBE38749	Bolsa de filtro
29	CMXZVBE38606	CMXZVBE38606	Tubos extensores
30	-	CMXZVBE38660	Silenciador/difusor
31	-	CMXZVBE38621	Boquilla para residuos mojados
32	SP7092	SP7092	Manual del usuario

**Aspiradora para mojado/seco
con soplador desprendible
de 45 Litros (12 Galones)
No. de modelo CMXEVB176060**

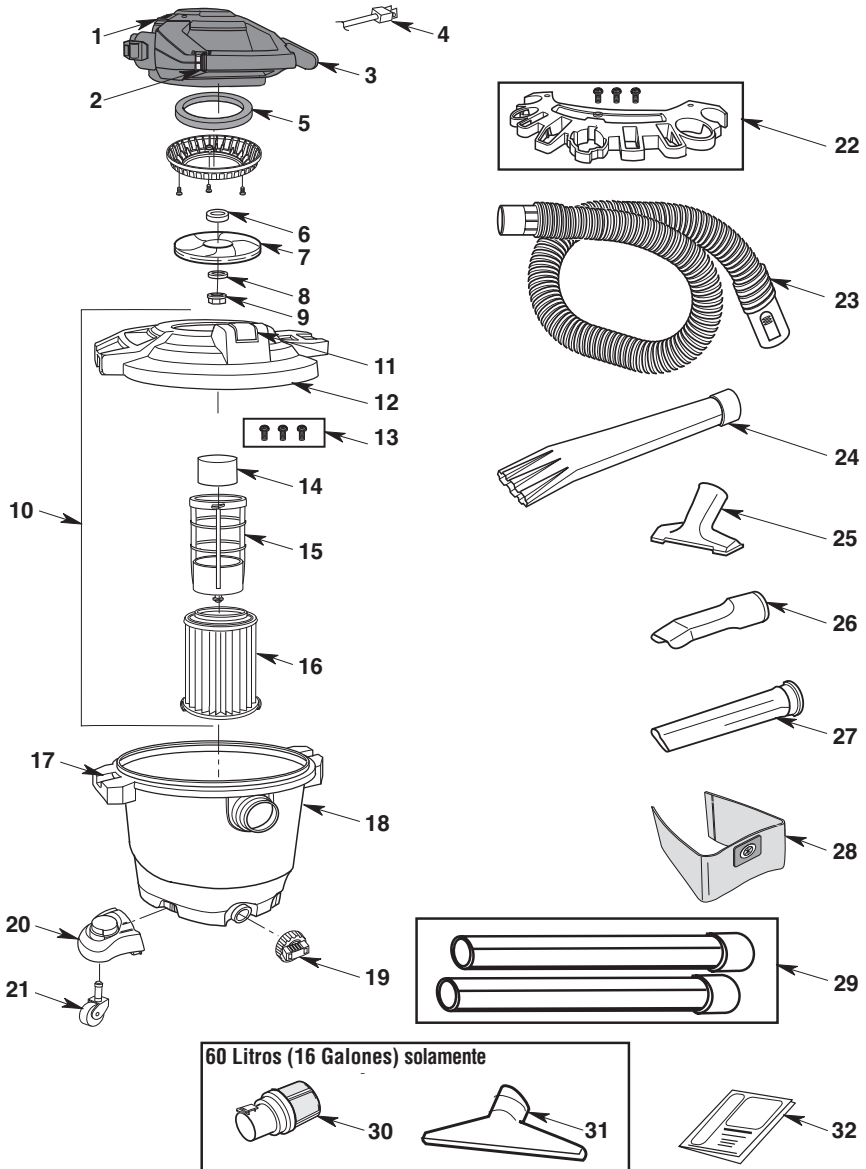
0

**Aspiradora para mojado/seco
con soplador desprendible
de 60 Litros (16 Galones)
No. de modelo CMXEVB176070**

⚠ ADVERTENCIA: Para reducir el riesgo de lesiones, desenchufe el cable de alimentación antes de hacer servicio de ajustes y reparaciones de la aspiradora para mojado/seco.

⚠ ADVERTENCIA: Todo el desmontaje y todas las reparaciones deberán ser realizados por personal calificado.

Pida siempre por número de pieza –no por número de clave



NOTAS

GARANTÍA LIMITADA DE CRAFTSMAN® DE 3 AÑOS

Esta garantía limitada es ofrecida por Emerson Tool Company, una división de Emerson Electric Co., ("Nosotros" o "Nuestro" o "Nuestra") al propietario y consumidor original ("Cliente" o "Usted" o "Su") del producto CRAFTSMAN con el cual se proporciona esta garantía limitada (el "Producto CRAFTSMAN").

Lo que está cubierto

Le garantizamos a Usted que su Producto CRAFTSMAN estará libre de defectos de materiales y de fabricación cuando se utilice en condiciones normales y de acuerdo con los términos del Manual de Instrucciones que se le proporcione a Usted con el Producto CRAFTSMAN, sujeto a las exclusiones que se describen a continuación, por un período de tres años a partir de la fecha de compra por Usted (el "Período de Garantía"). Esta garantía limitada se termina si el comprador original transfiere el Producto CRAFTSMAN a otra persona o entidad.

Lo que no está cubierto

Esta garantía limitada no se extiende a lo siguiente y lo excluye expresamente:

- El desgaste por el uso normal y/o los aditamentos o accesorios de repuesto, incluyendo, sin limitación, cables de alimentación, mangueras, filtros y otros aditamentos o accesorios que Nosotros pongamos a la venta para utilizarlos con el Producto CRAFTSMAN.
- Daños al motor del Producto CRAFTSMAN o quemadura de dicho motor que resulten del hecho de no eliminar una obstrucción que ocurra durante el transcurso del uso normal.
- Pérdida del Producto CRAFTSMAN o daños al mismo que ocurran como resultado de situaciones que estén más allá de Nuestro control, incluyendo, sin limitación, uso incorrecto, accidente, abuso, descuido, negligencia (que no sea por parte Nuestra), sobreutilización más allá de la capacidad prevista tal y como se establezca en el Manual de Instrucciones, o modificaciones o alteraciones realizadas por alguien ajeno a Nosotros.
- Pérdida del Producto CRAFTSMAN o daños al mismo que ocurran como resultado del hecho de no utilizar el Producto CRAFTSMAN de acuerdo con las instrucciones escritas, las directrices y los términos y condiciones que se establezcan en el Manual de Instrucciones.
- EN LA MEDIDA EN QUE LA LEY LO PERMITA, NO SEREMOS RESPONSABLES EN NINGÚN CASO POR DAÑOS INCIDENTALES, ESPECIALES, INDIRECTOS O EMERGENTES, INCLUSIVE CUALQUIER PÉRDIDA ECONÓMICA, TANTO SI SON EL RESULTADO DE UN RENDIMIENTO DEFICIENTE COMO DE UTILIZACIÓN, USO, USO INCORRECTO O INCAPACIDAD PARA UTILIZAR EL PRODUCTO CRAFTSMAN O NEGLIGENCIA POR PARTE DE ETC.

Cómo obtener servicio

EE.UU. y Canadá: Para obtener los beneficios de la garantía, contáctenos llamando gratis al 1-888-331-4569 (Mexico 001-881-331-4569). Le dirigiremos al centro de servicio más cercano para revisar su aspiradora con el fin de inspeccionarla, repararla o reemplazarla.

México: Para obtener los beneficios de la garantía, contáctenos llamando gratis al 001-888-331-4569. Le dirigiremos al centro de servicio más cercano para revisar su aspiradora con el fin de inspeccionarla, repararla o reemplazarla.

No se aplica ninguna otra garantía expresa

Esta garantía limitada es la garantía única y exclusiva que se le proporciona a Usted. No se aplica ninguna otra garantía expresa, escrita u oral, incluyendo, SIN LIMITACIÓN, LAS GARANTÍAS DE COMERCIABILIDAD O IDONEIDAD PARA UN PROPÓSITO ESPECÍFICO. Ningún empleado, agente, distribuidor u otra persona está autorizado para alterar esta garantía limitada u ofrecer cualquier otra garantía en nombre Nuestro.

Lo que haremos para corregir los problemas

EL REMEDIO ÚNICO Y EXCLUSIVO QUE USTED TIENE BAJO ESTA GARANTÍA LIMITADA ESTARÁ LIMITADO A LA REPARACIÓN, EL REEMPLAZO O EL REEMBOLSO DEL PRODUCTO CRAFTSMAN.

Después de que Usted se haya puesto en contacto con el Departamento de Servicio al Cliente de Productos CRAFTSMAN, Nosotros iniciaremos los procedimientos de la garantía, incluyendo una inspección física, sujeto a las exclusiones y al Período de Garantía que se establecen en el presente documento, para determinar si reparar o reemplazar el Producto CRAFTSMAN o darle a Usted un reembolso.

La decisión de reparar o reemplazar su Producto CRAFTSMAN o darle un reembolso es a Nuestra discreción exclusiva. La reparación o los reemplazos que ETC le provea a Usted sin costo alguno para Usted si están cubiertos bajo esta garantía limitada.

Si no podemos proporcionarle a Usted un Producto CRAFTSMAN reparado o de repuesto que sea adecuado, le daremos un reembolso igual al precio de compra de su Producto CRAFTSMAN o un crédito para utilizarlo hacia la compra de un Producto CRAFTSMAN nuevo. En el caso de cualquier disputa entre el CLIENTE Y NOSOTROS, cualquiera de las dos partes podrá optar por resolver dicha disputa mediante arbitraje vinculante. ESTO SIGNIFICA QUE SI TANTO EL CLIENTE OPTA POR EL ARBITRAJE VINCULANTE COMO SI NOSOTROS OPTAMOS POR DICHO ARBITRAJE, NINGUNA DE LAS DOS PARTES TENDRÁ DERECHO A LITIGAR DICHO RECLAMO ANTE UN TRIBUNAL NI A TENER UN JUICIO CON JURADO. LOS DERECHOS AL PROCESO DE DESCUBRIMIENTO, ASÍ COMO LOS DERECHOS DE APELACIÓN, ESTÁN LIMITADOS.

Esta garantía limitada le confiere a usted derechos legales específicos y es posible que usted tenga también otros derechos, que varían de un estado a otro. Algunos estados no permiten la exclusión de los daños incidentales o emergentes, por lo que es posible que la limitación que antecede no tenga aplicación.

CONDICIONES

1. Para hacer efectiva esta garantía, deberá presentarse esta póliza debidamente sellada por el establecimiento que lo vendió, o la factura, o recibo, o comprobante en el que consten los datos específicos del producto objeto de la compraventa junto con el producto, en el establecimiento en que fue adquirido o en el nombre y domicilio del importador que aparece en este documento.

2. **SEARS OPERADORA MEXICO S.A. DE C.V.** se compromete a cambiar el producto sin ningún cargo para el consumidor y a cubrir los gastos de transportación que se deriven del cumplimiento de la presente garantía, dentro de la red de servicio.

***Para México:**

Para obtener partes, componentes, accesorios y cobertura de garantía:
Visite la tienda donde compró su aspiradora CRAFTSMAN
o cualquier otra tienda Sears en México, o contacte a Servicio Técnico de Sears:
Poniente 146 No. 669, Col. Industrial Vallejo,
Azcapotzalco, Ciudad de México, C.P. 02300,
Tel. 55-5130-3940

Importador:

SEARS OPERADORA MEXICO S.A. DE C.V.
Lago Zúrich No. 245, Edificio Presa Falcón Piso 7,
Col. Ampliación Granada, Miguel Hidalgo,
Ciudad de México, C.P. 11529,
Tel. 5227-8000

Sello:	
Fecha: _____	

El consumidor podrá solicitar que se haga efectiva esta garantía y podrá obtener las partes, componentes, consumibles y accesorios en el nombre y domicilio del importador que aparece en este documento.

CRAFTSMAN®

is a registered trademark of Stanley Black & Decker, Inc., used under license.
es una marca registrada de Stanley Black & Decker, Inc., utilizada bajo licencia.
est une marque déposée de Stanley Black & Decker, Inc., utilisée sous licence.

© 2019 CRAFTSMAN

Product Manufactured by:	EMERSON TOOL COMPANY
Producto fabricado por:	8100 W. Florissant • St. Louis, MO 63136
Produit fabriqué par :	U.S. & Canada Only • É.-U. et Canada seulement • EE.UU. y Canadá solamente