

VEVOR[®]

TOUGH TOOLS, HALF PRICE

Technical Support and E-Warranty Certificate www.vevor.com/support

SIMPLE SLIDING BARN DOOR HARDWARE KIT

**MODEL:5FT-2D-5K-H/5FT-2D-5K-Y/6FT-2D-5K-H/
6FT-2D-5K-Y/6.6FT-2D-5K-H/6.6FT-2D-5K-Y/
8FT-2D-6K/8FT(J)Single Door/8FT(I)Single Door/
10FT-3D-7K-J/10FT-3D-7K-I**

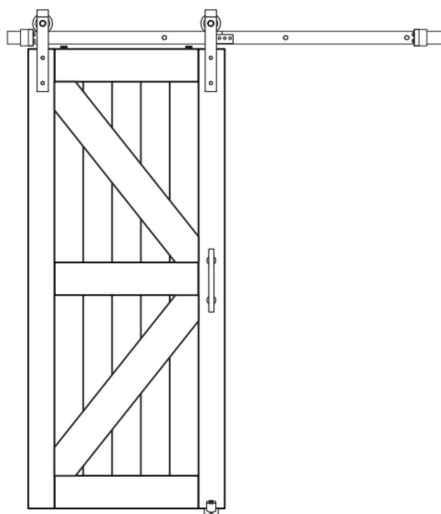
We continue to be committed to provide you tools with competitive price. "Save Half", "Half Price" or any other similar expressions used by us only represents an estimate of savings you might benefit from buying certain tools with us compared to the major top brands and does not necessarily mean to cover all categories of tools offered by us. You are kindly reminded to verify carefully when you are placing an order with us if you are actually Saving Half in comparison with the top major brands.

VEVOR®

TOUGH TOOLS, HALF PRICE

Floor Register

**MODEL:5FT-2D-5K-H/5FT-2D-5K-Y/6FT-2D-5K-H/6FT-2D-5K-Y/
6.6FT-2D-5K-H/6.6FT-2D-5K-Y/8FT-2D-6K/8FT(J)Single Door/
8FT(I)Single Door/10FT-3D-7K-J/10FT-3D-7K-I**



NEED HELP? CONTACT US!

Have product questions? Need technical support? Please feel free to contact us:

Technical Support and E-Warranty Certificate

www.vevor.com/support

This is the original instruction, please read all manual instructions carefully before operating. VEVOR reserves a clear interpretation of our user manual. The appearance of the product shall be subject to the product you received. Please forgive us that we won't inform you again if there are any technology or software updates on our product.

SAFETY INSTRUCTIONS

WARNING:

Read this material before using this product. Failure to do so can result in serious injury.

Assembly precautions

1. Assemble only according to these instructions. Improper assembly can create hazards.
2. Wear ANSI-approved safety goggles and heavy-duty work gloves during assembly.
3. Keep assembly area clean and well lit.
4. Keep bystanders out of the area during assembly.
5. Do not assemble when tired or when under the influence of alcohol, drugs or medication.
6. Product capabilities apply to properly and completely assembled product only.
7. For additional information regarding the parts listed in the following pages, please refer to the Assembly Diagram of this manual. Unwrap and separate all parts in a clean work area.
8. For safety reasons, This hardware is recommended to be installed by 2 people
9. Products are installed away from children and pets;

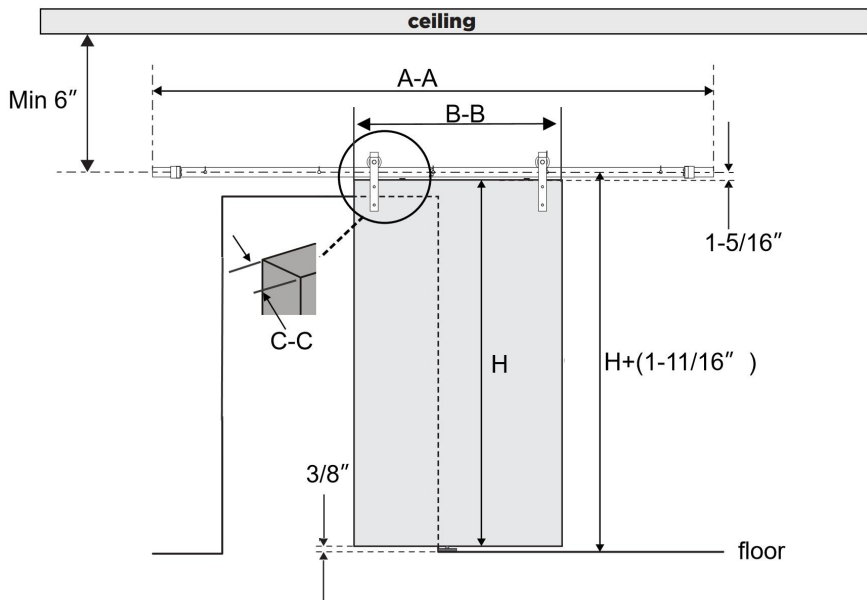
Use precautions

1. This product is not a toy. Do not allow children to play with this item.
2. Use as intended only.
3. Inspect before every use; do not use if parts are loose or damaged.

SAVE THESE INSTRUCTIONS

Product Suitability

The box does not contain door panels and other wooden squares, which require additional purchase



| Model | rail length A-A | Door width B-B | Door thickness C-C |
|-------------------|--------------------|-------------------|-----------------------|
| 5FT-2D-5K-H | 5ft(1500mm) | ≤30inch | 1-3/8" to 1-3/4" |
| 5FT-2D-5K-Y | | | |
| 6FT-2D-5K-H | 6ft(1830mm) | ≤36inch | 1-3/8" to 1-3/4" |
| 6FT-2D-5K-Y | | | |
| 6.6FT-2D-5K-H | 6.6ft(2000mm) | 36-40inch | 1-3/8" to 1-3/4" |
| 6.6FT-2D-5K-Y | | | |
| 8FT-2D-6K | 8ft(2440mm) | 42-48inch | 1-3/8" to 1-3/4" |
| 8ft(j)single door | | | |
| 8ft(l)single door | | | |
| 10FT-3D-7K-J | 10ft(3000mm) | ≤60inch | 1-3/8" to 1-3/4" |
| 10FT-3D-7K-I | | | |

The remaining dimensions:

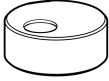

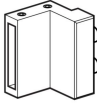


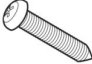



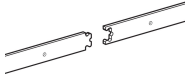
- 1.Product is applicable to the single sliding door,the door height is H depending on the height you purchase;
- 2.The track center to the ground height needs to be 1.6875 inches higher than the door height;
- 3.The distance of the track center from the ceiling is not less than 6 inches;
- 4.The distance between the bottom side and the bottom side is 0.375 inches

Parameter List






| Model | Product color | hanger type | Orbit split number | Number of rail mounting holes |
|-------------------|---------------|-------------|--------------------|-------------------------------|
| 5FT-2D-5K-H | black | J mould | 2pcs | 5pcs |
| 5FT-2D-5K-Y | Dark silver | | | |
| 6FT-2D-5K-H | black | | | |
| 6FT-2D-5K-Y | Dark silver | | | |
| 6.6FT-2D-5K-H | black | | | |
| 6.6FT-2D-5K-Y | Dark silver | | | |
| 8FT-2D-6K | Dark silver | J mould | 2pcs | 6pcs |
| 8ft(j)single door | black | J mould | | |
| 8ft(l)single door | black | I mould | | |
| 10FT-3D-7K-J | black | J mould | 3pcs | 7pcs |
| 10FT-3D-7K-I | | I mould | | |


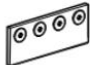

Parts list

Same number of parts

| | | | |
|--|--|--|--|
|  <p>A:Anti-jump block×2pcs</p> |  <p>B:M4×25 countersunk head tapping screw×2pcs</p> |  <p>C:Door Stopper × 2pcs</p> |  <p>D:T shape Floor Guide × 1pc</p> |
|  <p>E:φ6×30 Plastic expansion bolt × 2pcs</p> |  <p>F:M4×25 Round head tapping screw ×2pcs</p> |  <p>G:2.5mm Hex Key × 1pc</p> |  <p>H:Wall Spacer×4</p> |
|  <p>K:M10×55 bolt×4</p> |  <p>L:Rail Kit × 1pc</p> | | |

Parts with different quantities

| | | | | | |
|--------------|---|--|--|--|---|
| <p>Model</p> |  <p>J:Hanger-J</p> |  <p>O:washers</p> |  <p>P:M8×90 Screw</p> |  <p>Q:φ12×50 Plastic expansion bolt</p> |  <p>M:Wall Spacer</p> |
|--------------|---|--|--|--|---|

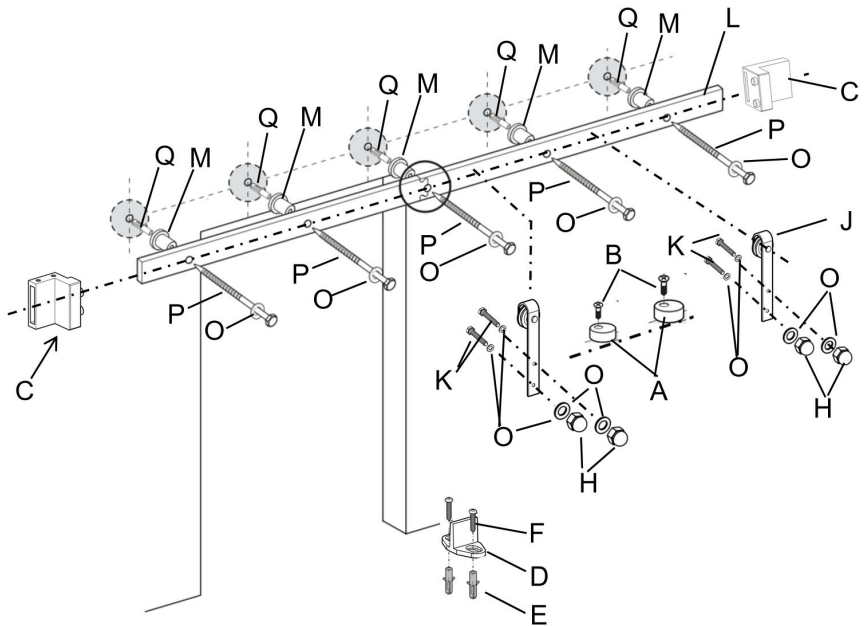
| | | | | | |
|--|---|---|---|---|---|
| 5FT-2D-5K-H | 2 | 13 | 5 | 5 | 5 |
| 5FT-2D-5K-Y | | | | | |
| 6FT-2D-5K-H | | | | | |
| 6FT-2D-5K-Y | | | | | |
| 6.6FT-2D-5K-H | | | | | |
| 6.6FT-2D-5K-Y | | | | | |
| 8FT-2D-6K | 2 | 14 | 6 | 6 | 6 |
| 8ft(j)singl e door | | | | | |
| 8ft(l)Sing le Door | | | | | |
| 10FT-3D-7K-J | 2 | 15 | 7 | 7 | 7 |
| 10FT-3D-7K-I | 0 | | | | |
| The following are the model 8FT-2D-6K, 8ft(j)single door, 8ft(l)Single Door only available accessories | | | | | |
|  R:M6*10 bolt×4pcs | |  S:connection strap×1pc | |  T:4mm Hex ×1pc | |

The following are the model 10FT-3D-7K-I and 8ft(I)Single Door only available accessories`



I: Hanger-1x2

Decomposition Diagram Of Model 6ft-2d-5k-h



Note:The remaining model decomposition plots are similar

CNOAUTION

Mishandling of heavy objects (i.e., doors) may cause a loss of balance and serious injury. Always be sure you have a secure hold on the object and are balanced before moving the object. Always wear safety shoes when lifting heavy objects.




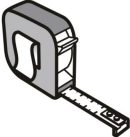






Getting body parts (i.e., hair, fingers) caught in moving parts may cause pinching and serious injury. Do not put fingers in parts that may move and always remove or contain anything on your body that may become entangled with a moving part.

Closing sliding doors with your hand on the end of the door may result in your hand, or fingers, getting caught between the door and other solid objects (i.e., another door, molding) causing serious injury. Always use the door handle to close door

Usage Statement

Use of excessive force when opening and closing the door(s) may result in damage to the hardware. Always hold the handle to gently move the door(s).

Tools required

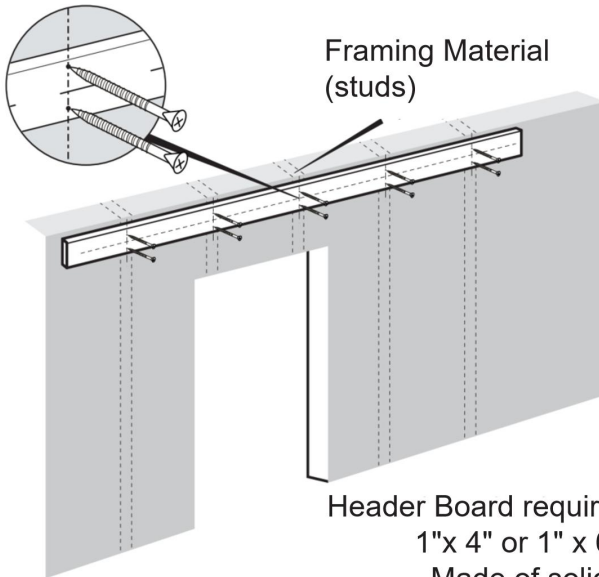
| | | | |
|---|---|---|---|
|  <p>Speed Square</p> |  <p>Pencil</p> |  <p>Phillips Screwdriver</p> |  <p>Tape</p> |
|  <p>Wrench</p> |  <p>Level</p> |  <p>Drill</p> |  <p>Φ3/8” Drill Bit</p> |
|  <p>Φ29/64” Drill Bit</p> |  <p>Φ7/32” Drill Bit</p> | | |

Product Assembly

It is very important to determine whether you need to install a Header Board before you install the track.

IF you meet the following situations, we highly recommend you using a Header Board.

- IF your wall studs are not 16" on center which won't line up with our rail(our rail comes with pre-drilled holes every 16" on center)
- IF your wall type is non-concrete wall, is drywall or other wall type(as this may not support the weight of the track and mounted door)
- IF there is a doorway trim



Same length as your track length or longer

Attention: Header Board & the screws to install header board are not included. You can buy them online or offline.

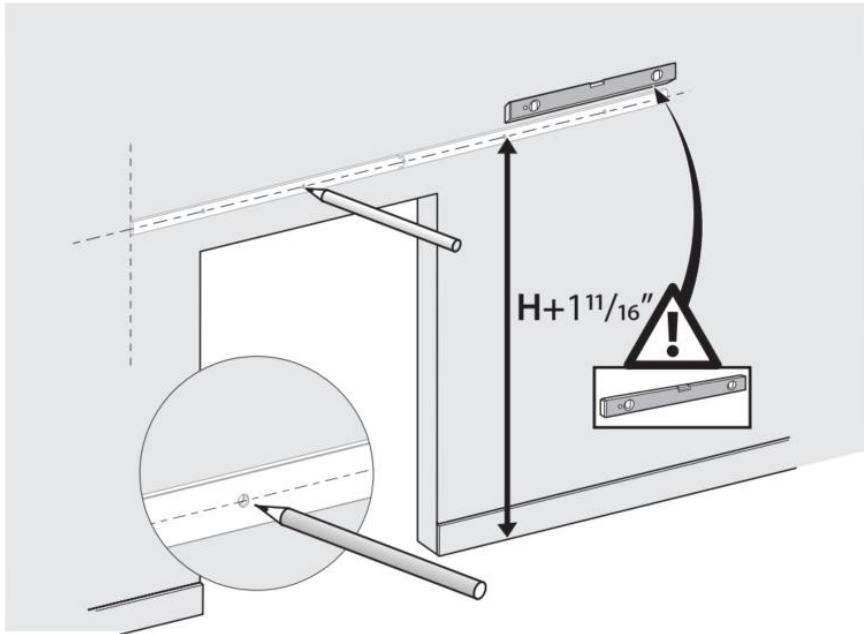
Step-1

1.1. Use a Level and Tape Measure to mark the center line of the track. As shown in the product selection diagram, the height of the door is H in the

picture above, the height of the center line(measuring up from the floor) is the height of your door PLUS 1-11/16”.

1.2.Position the track in place by the marked center line, ensuring it is level, and use the track as a template to mark mounting holes location for the track with a pencil.

See installation tip below.



The track needs to fully cover the door openings on the wall panels;we suggest that one end of the track is flush with the opening of the wall, and this is related to the width of the door.

INSTALLATION TIP:

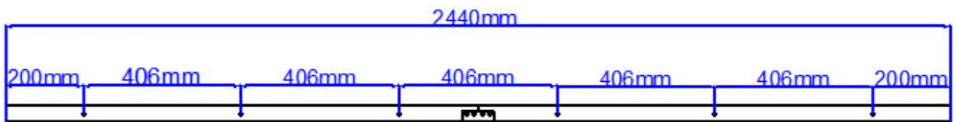
To mark the holes more conveniently, you could install track with one end bolt without spacer, which helps fix one end of the track. And then you can move the free end to ensure the track level to mark mounting holes. You can also refer to the track size to mark the position of the track opening



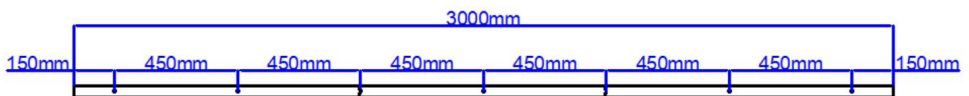


| Model | rail length A-A | rail hole distance D-D | rail side hole and rail edge E-E | Number of marked holes |
|---------------|--------------------|------------------------------|--|------------------------------|
| 5FT-2D-5K-H | 5ft(1500mm) | 325mm | 100mm | 5pcs |
| 5FT-2D-5K-Y | | | | |
| 6FT-2D-5K-H | 6ft(1830mm) | 406mm | 103mm | 5pcs |
| 6FT-2D-5K-Y | | | | |
| 6.6FT-2D-5K-H | 6.6ft(2000mm) | 406mm | 188mm | 5pcs |
| 6.6FT-2D-5K-Y | | | | |

The rail mounting holes of model 8FT-2D-6K ,8ft(J)single door and 8ft(I)single door are as follows,six holes;

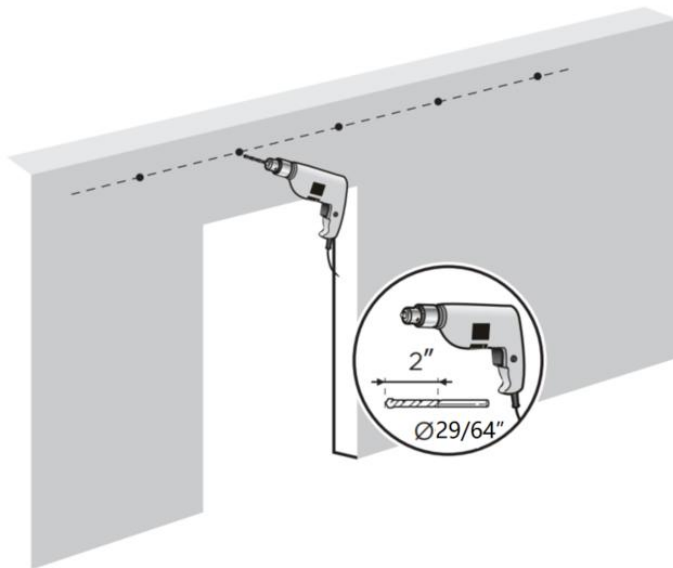


The rail mounting dimensions for models 10FT-3D-7K-J and 10FT-3D-7K-I are as follows,seven holes;



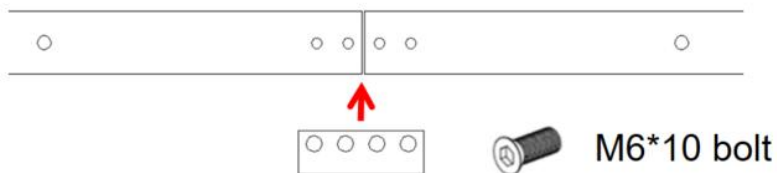
Step-2:

2.1. Use a $\Phi 29/64$ " drill hole in the marked position, 2 inches deep;

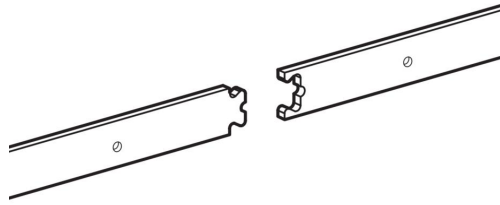


Step-3: Install the guide rail

3.1. The 2 guide of model 8FT-2D-6K is combined by connection strap and 4 bolts;

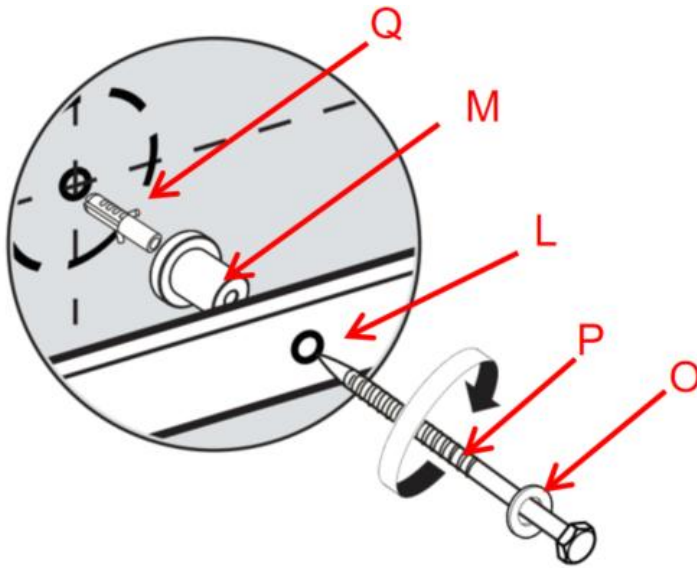


The remaining models are flower-shaped combinations via the rail.



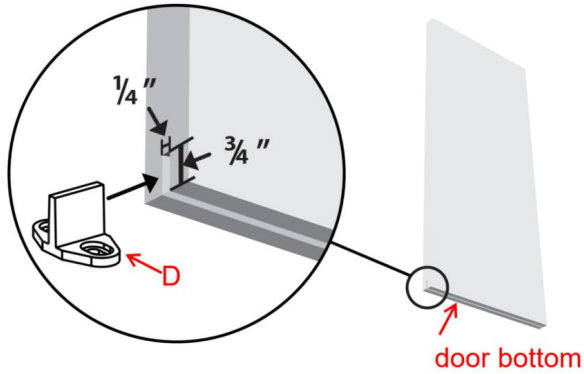
3.2. Concrete wall Installation.

Install the Plastic expansion bolt Q to holes on the concrete wall first, Then use screw P through the washers O, rail L and Wall Spacer M, and finally lock on Plastic expansion bolt Q.



Step-4

Use router or circular saw to create a kerf at bottom of the door, along the center to allow the tip of the T-shaped floor guide to fit in between. The floor guide is used to keep your door stable and prevent the door bottom swinging back and forth when you slide it open and closed.



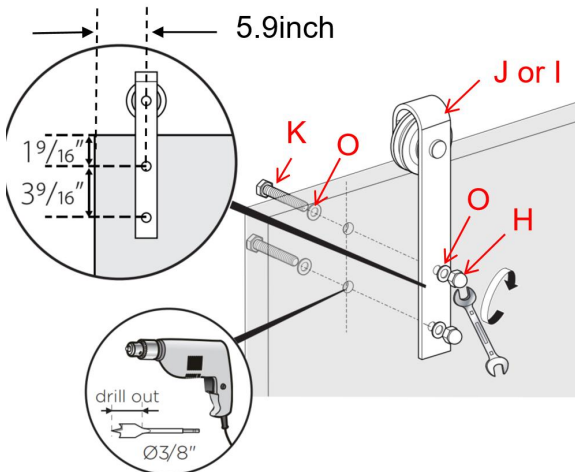
Step-5

According to the following figure, use the bolt K to pass through the washer O, door, Hanger J, washer O, and finally tighten the bolt H with the nut to secure the Hanger J on the top of the door; install the hangers on the top of the door, Make sure the bolt K are located in the middle line of the door top side.

Each Hanger requires two Bolts; 2 hangers are required for each door.

Note: The Hanger for the Model 10FT-3D-7K-I is the Hanger I.

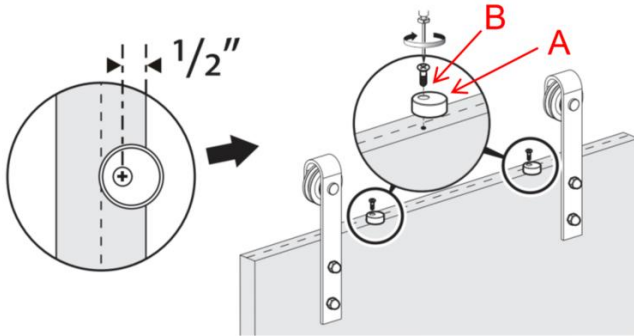
If your door thickness is 1-3/4 inch, you do not need to install washer O.



Step-6

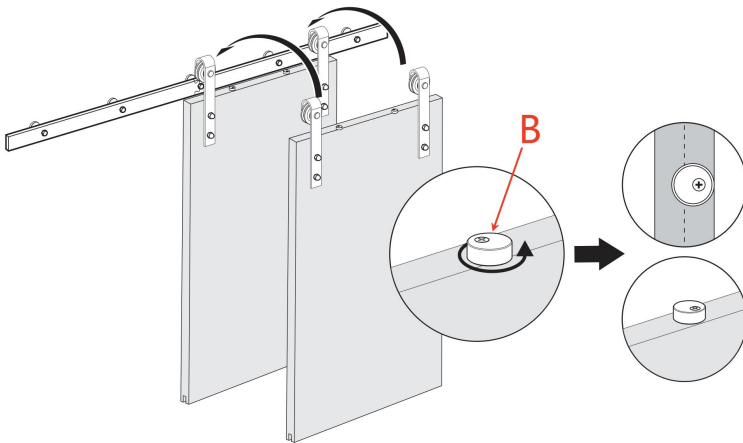
The anti-jump blocks are used to protect the door from touching the rail when sliding the door.

First, mark at 0.5inch from the edge of the door, then let the screw holes of Anti-jump block A to align the mark, use the screw B through Anti-jump block A, and lock at the mark.



Step-7

Hang the door over the track and rotate the anti-jump blocks 180°



Step-8

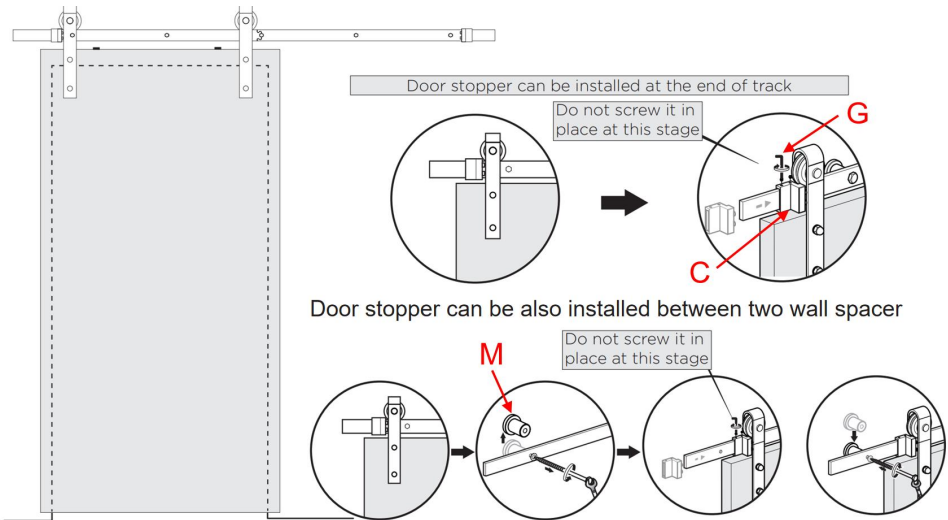
Slide door stoppers C on both ends of track.

Slide door back and forward to test how well the door covers the opening.

Reposition door stoppers as you need. Adjust the position of the left and right door stopper when the door is open and closed. If you reduce the door trip, the door stoppers C can move toward the middle of the rail.

When door stoppers C is blocked by wall spacer M and unable to move, you can remove wall spacer M, move to the appropriate position and then install door stoppers M back to the original position.

Door stopper can be also installed between two wall spacer

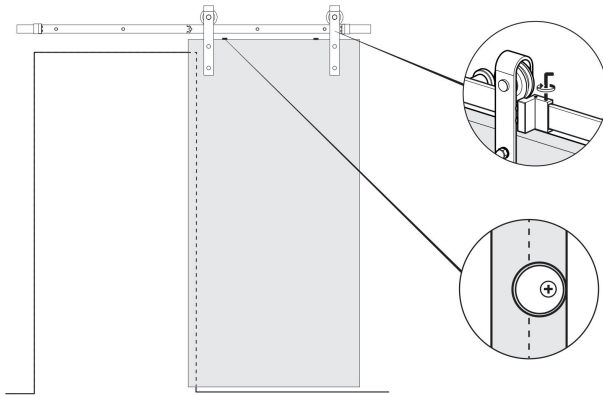


Step-9

Final Check of door stoppers and Anti-jump blocks.

Check the door stoppers are properly located and tightened in place by the Hex Key G.

Also check the anti-jump blocks are rotated correctly and tightened.

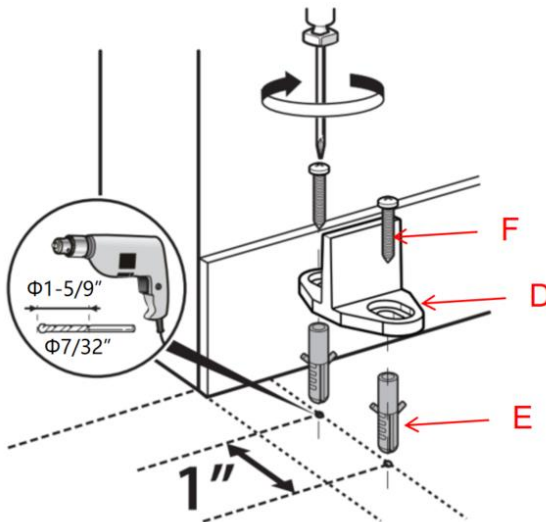


Step-10

Install the floor guide D.

10.1. Put the floor guide on the floor first to a suitable position, sliding the door so that the tip of the floor guide can work well in the slot of the bottom of the door. And then mark 2 holes of the floor guide. Then two screw holes through floor guide mark two points on the floor.

10.2. Use $\Phi 7/32$ " drill bit to drill holes with a depth of 1.375inch on the floor mark; Then put Plastic expansion bolt E into the floor hole; Screw F passes through the screw hole of floor guide D and installed in Plastic expansion bolt E to complete the installation of floor guide D.



Manufacturer: Shanghaimuxinmuyeyouxiangongsi

Address: Shuangchenglu 803nong11hao1602A-1609shi, baoshanqu, shanghai 200000 CN.

Imported to AUS: SIHAO PTY LTD. 1 ROKEVA STREETEASTWOOD NSW 2122 Australia

Imported to USA: Sanven Technology Ltd. Suite 250, 9166 Anaheim Place, Rancho Cucamonga, CA 91730

| | |
|-----------|------------|
| UK | REP |
|-----------|------------|

YH CONSULTING LIMITED. C/O YH Consulting Limited Office 147, Centurion House, London Road, Staines-upon-Thames, Surrey, TW18 4AX

| | |
|-----------|------------|
| EC | REP |
|-----------|------------|

E-CrossStu GmbH
Mainzer Landstr.69,
60329 Frankfurt am Main.

VEVOR[®]

TOUGH TOOLS, HALF PRICE

Technical Support and E-Warranty Certificate

www.vevor.com/support

VEVOR[®]

TOUGH TOOLS, HALF PRICE

Assistance technique et certificat de garantie électronique www.vevor.com/support

KIT DE QUINCAILLERIE POUR PORTE DE GRANGE COULISSANTE SIMPLE

MODÈLE : 5 PI-2D-5K-H/5 PI-2D-5K-Y/6 PI-2D-5K-H/
6 PI-2D-5K-Y/6,6 PI-2D-5K-H/6,6 PI-2D-5K-Y/
8FT-2D-6K/8FT(J)Porte simple/8FT(I)Porte simple/
10FT-3D-7K-J/10FT-3D-7K-I

Nous continuons à nous engager à vous fournir des outils à des prix compétitifs.

« Économisez la moitié », « Moitié prix » ou toute autre expression similaire utilisée par nous ne représente qu'une estimation des économies que vous pourriez réaliser en achetant certains outils chez nous par rapport aux grandes marques et ne couvre pas nécessairement toutes les catégories d'outils que nous proposons. Nous vous rappelons de bien vouloir vérifier soigneusement lorsque vous passez une commande chez nous si vous économisez réellement la moitié par rapport aux grandes marques.

VEVOR[®]

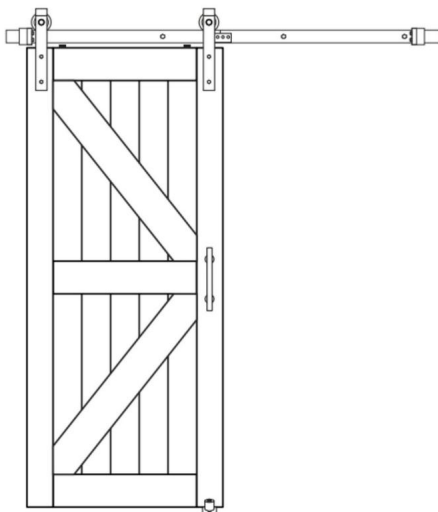
TOUGH TOOLS, HALF PRICE

Registre d'étage

MODÈLE : 5 PI-2D-5K-H/5 PI-2D-5K-Y/6 PI-2D-5K-H/6 PI-2D-5K-Y/

6,6 pi-2D-5K-H/6,6 pi-2D-5K-Y/8 pi-2D-6K/8 pi (J) porte simple/8 pi (I) porte simple/

10 pi-3D-7K-J/10 pi-3D-7K-I



BESOIN D'AIDE? CONTACTEZ-NOUS!

Vous avez des questions sur nos produits ? Vous avez besoin d'assistance technique ?
N'hésitez pas

à nous contacter : Assistance technique et certificat de garantie
électronique www.vevor.com/support

Il s'agit de la notice d'utilisation d'origine. Veuillez lire attentivement toutes les instructions du manuel avant de l'utiliser. VEVOR se réserve le droit d'interpréter clairement notre manuel d'utilisation. L'apparence du produit dépend du produit que vous avez reçu. Veuillez nous excuser, nous ne vous informerons plus si des mises à jour technologiques ou logicielles sont disponibles sur notre produit.

CONSIGNES DE SÉCURITÉ

AVERTISSEMENT:

Lisez ce document avant d'utiliser ce produit. Le non-respect de cette consigne peut entraîner blessure grave.

Précautions de montage

1. Assemblez uniquement selon ces instructions. Un assemblage incorrect peut créer des dangers.
2. Portez des lunettes de sécurité approuvées par l'ANSI et des gants de travail robustes pendant assemblée.
3. Gardez la zone de montage propre et bien éclairée.
4. Gardez les spectateurs hors de la zone pendant l'assemblage.
5. Ne pas monter si vous êtes fatigué ou sous l'influence de l'alcool, de drogues ou de médicaments.
6. Les capacités du produit s'appliquent au produit correctement et complètement assemblé.

seulement.

7. Pour plus d'informations sur les pièces répertoriées ci-dessous pages, veuillez vous référer au schéma d'assemblage de ce manuel. Déballez et séparer toutes les pièces dans une zone de travail propre.
8. Pour des raisons de sécurité, il est recommandé d'installer ce matériel par 2 personnes
9. Les produits sont installés loin des enfants et des animaux domestiques ;

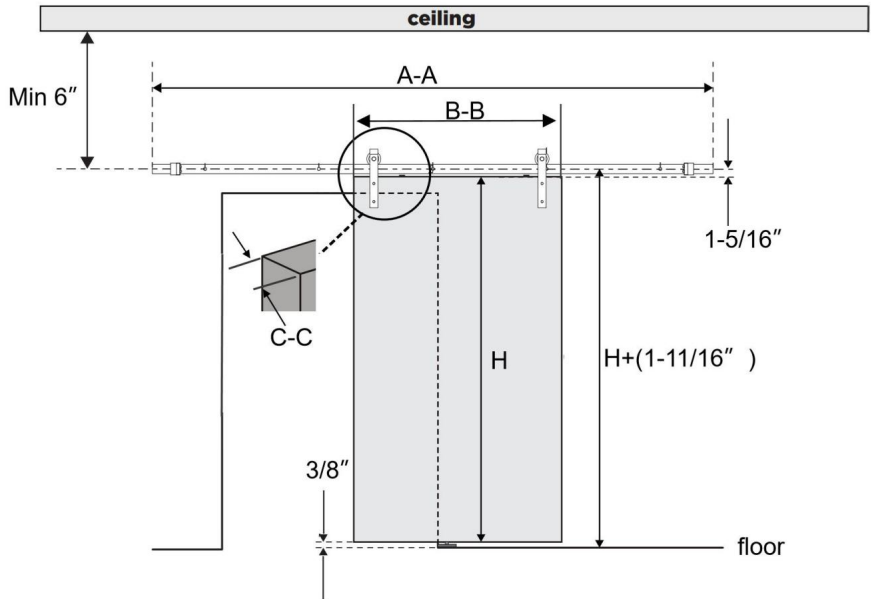
Précautions d'emploi

1. Ce produit n'est pas un jouet. Ne laissez pas les enfants jouer avec cet article.
2. Utiliser uniquement comme prévu.
3. Inspectez avant chaque utilisation ; ne pas utiliser si des pièces sont desserrées ou endommagées.

CONSERVEZ CES INSTRUCTIONS

Adéquation du produit

La boîte ne contient pas de panneaux de porte et autres carrés en bois, qui nécessite un achat supplémentaire



| Modèle | longueur du rail AA | Largeur de la porte BB | Épaisseur de la porte CC |
|------------------------------|------------------------|---------------------------|-----------------------------|
| 5 pieds-2D-5K-H | 5 pieds (1500 mm) | ≤30 pouces | 1-3/8" à 1-3/4" |
| 5FT-2D-5K-Y | | | |
| 6 pieds-2 pieds-5 pieds-h | 6 pieds (1830 mm) | ≤36 pouces | 1-3/8" à 1-3/4" |
| 6 pieds-2D-5K-Y | | | |
| 6,6 pieds-2D-5K-H | 6,6 pieds (2000 mm) | 36-40 pouces | 1-3/8" à 1-3/4" |
| 6,6 pieds-2D-5K-Y | | | |
| 8 pieds-2D-6K | 8 pieds (2440 mm) | 42-48 pouces | 1-3/8" à 1-3/4" |
| Porte simple de 8 pi (j) | | | |
| Porte simple de 8 pi (1,4 m) | | | |
| 10FT-3D-7K-J | 10 pieds (3000 mm) | ≤60 pouces | 1-3/8" à 1-3/4" |
| 10FT-3D-7K-I | | | |

Les dimensions restantes :

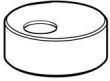

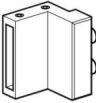






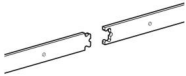
1. Le produit est applicable à la porte coulissante simple, la hauteur de la porte est H en fonction de la hauteur que vous achetez ;
2. La hauteur du centre de la piste par rapport au sol doit être supérieure de 1,6875 pouces que la hauteur de la porte;
3. La distance entre le centre de la piste et le plafond n'est pas inférieure à 6 pouces ;
4. La distance entre le côté inférieur et le côté inférieur est de 0,375
pouces

Liste des paramètres






| Modèle | Produit couleur | cintre taper | Orbite divisée nombre | Nombre de rails trous de montage |
|-----------------------------------|--------------------|-----------------|--------------------------|-------------------------------------|
| 5 pieds-2D-5K-H | noir | Moule en J | 2 pièces | 5 pièces |
| 5FT-2D-5K-Y Argent foncé | noir | | | |
| 6 pieds-2 pieds-5 pieds-h | noir | | | |
| 6FT-2D-5K-Y Argent foncé | noir | | | |
| 6,6 pieds-2D-5K-H | noir | | | |
| 6.6FT-2D-5K-Y Argent foncé | noir | | | |
| Moule en J argent foncé 8FT-2D-6K | | | | |
| 8 pieds (j) simple porte | noir | Moule en J | 2 pièces | 6 pièces |
| 8 pieds (1) simple porte | noir | Je moule | | |
| 10FT-3D-7K-J | noir | Moule en J | 3 pièces | 7 pièces |
| 10FT-3D-7K-I | | Je moule | | |


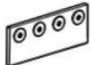

Liste des pièces

Même nombre de pièces

| | | | |
|--|---|---|--|
|  <p>A : Bloc anti-saut × 2 pièces</p> |  <p>B: M4×25 tête fraisée vis autotaraudeuse × 2 pièces</p> |  <p>C: Par Bouchon × 2 pièces</p> |  <p>Forme D: T Guide d'étag × 1 pièce</p> |
|  <p>E: φ6×30 Boulon d'expansion en plastique × 2 pièces</p> |  <p>F: M4×25 Rond vis autotaraudeuse à tête plate × 2 pièces</p> |  <p>G : 2,5 mm hexagonal Clé × 1pc</p> |  <p>H: Mur Entretoise × 4</p> |
|  <p>K: M10×55 boulon×4</p> |  <p>Kit de rail L × 1 pièce</p> | | |

Pièces avec des quantités différentes

| | | | | | |
|---------------|--|---|--|---|---|
| <p>Modèle</p> |  <p>J: Hanger-J</p> |  <p>O: rondelles</p> |  <p>P: M8× 90 Vis</p> |  <p>Q: φ12×50 Plastique boulon d'expansion</p> |  <p>M: Mur Entretoise</p> |
|---------------|--|---|--|---|---|

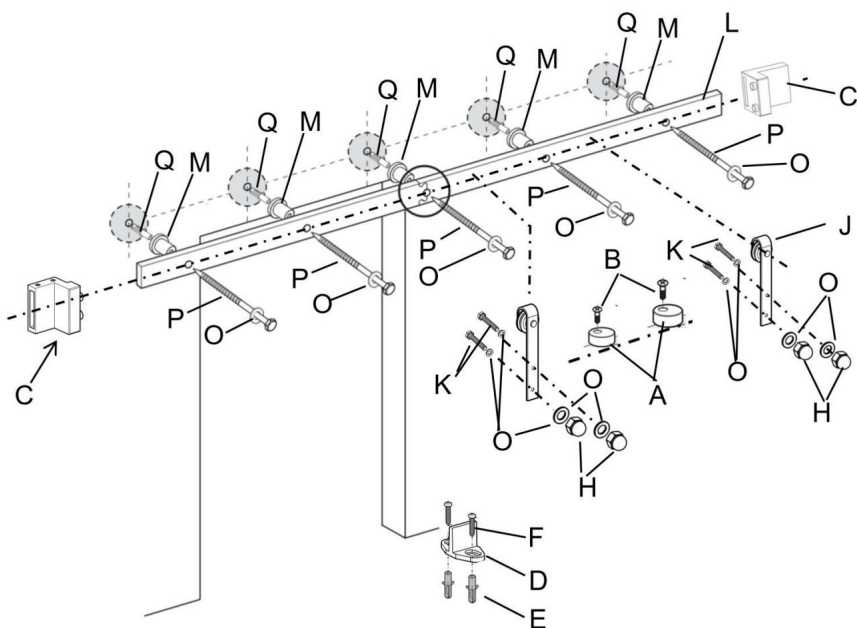
| | | | | | |
|--|--|--|---|---|---|
| 5FT-2D- 5K-H | 2 | 13 | 5 | 5 | 5 |
| 5FT-2D- 5K-Y | | | | | |
| 6 pieds-2D- 5K-H | | | | | |
| 6 pieds-2D- 5K-Y | | | | | |
| 6,6 pieds-2 D-5K-H | | | | | |
| 6,6 pieds-2 D-5K-Y | 2 | 14 | 6 | 6 | 6 |
| 8 pieds-2D- 6K | | | | | |
| 8 pieds (j) simple et à travers | | | | | |
| Chanter 8 pieds (1 pouce) la porte | 0 | | | | |
| 10 pieds-3D -7K-J | 2 | 15 | 7 | 7 | 7 |
| 10 pieds-3D -7K-Je | 0 | | | | |
| Voici les modèles 8FT-2D-6K, 8ft(j)porte simple, 8ft(l)porte simple Accessoires disponibles uniquement pour porte | | | | | |
|  R : boulon M6*10 × 4 pièces |  S:connexion sangle × 1 pièce |  T: 4 mm hexagonal × 1 pièce | | | |

Voici les accessoires disponibles uniquement pour les modèles 10FT-3D-7K-I et 8ft(I)Single Door`



I:Cintre-Ix2

Diagramme de décomposition du modèle 6ft-2d-5k-h



Remarque : les tracés de décomposition du modèle restants sont similaires

AVERTISSEMENT

Une mauvaise manipulation d'objets lourds (par exemple, des portes) peut entraîner une perte d'équilibre et des blessures graves. Assurez-vous toujours de bien tenir l'objet et d'être en équilibre avant de le déplacer. Portez toujours des chaussures de sécurité lorsque vous soulevez des objets lourds.











Des parties du corps (c.-à-d. les cheveux, les doigts) coincées dans des pièces mobiles peuvent provoquer pincement et blessures graves. Ne mettez pas les doigts dans les pièces qui peuvent bouger et retirez ou confinez toujours tout ce qui se trouve sur votre corps et qui pourrait devenir emmêlé avec une pièce mobile.

La fermeture des portes coulissantes avec votre main sur l'extrémité de la porte peut entraîner votre main ou vos doigts se coincent entre la porte et d'autres solides objets (par exemple, une autre porte, une moulure) causant des blessures graves. Utilisez toujours le poignée de porte pour fermer la porte

Déclaration d'utilisation

L'utilisation d'une force excessive lors de l'ouverture et de la fermeture des portes peut entraîner endommager le matériel. Tenez toujours la poignée pour déplacer doucement le par(s).

Outils nécessaires

| | | | |
|---|---|---|---|
|  <p>Carré de vitesse</p> |  <p>Crayon</p> |  <p>Phillips Tournevis</p> |  <p>Ruban adhésif</p> |
|  <p>Clé</p> |  <p>Niveau</p> |  <p>Perceur</p> |  <p>Foret $\Phi 3/8''$</p> |
|  <p>Foret $\Phi 29/64''$</p> |  <p>Foret $\Phi 7/32''$</p> | | |

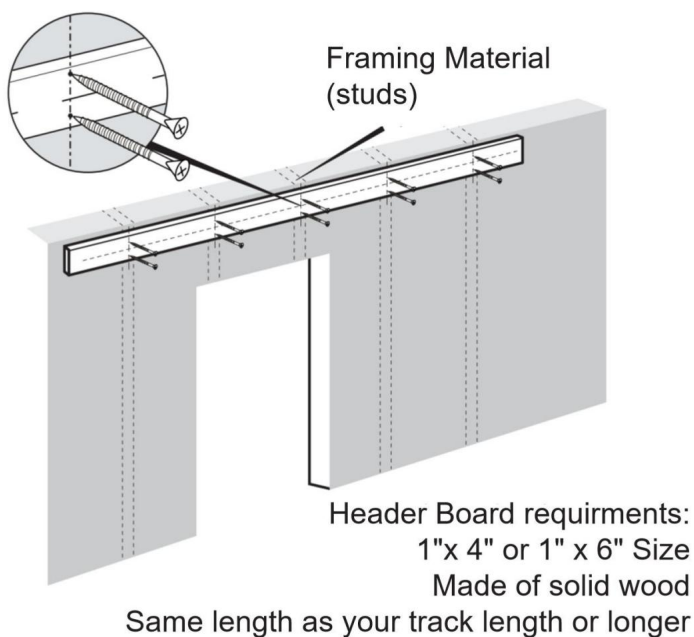
Assemblage du produit

Il est très important de déterminer si vous devez installer un en-tête

Planche avant d'installer la piste.

Si vous rencontrez les situations suivantes, nous vous recommandons fortement d'utiliser un Panneau d'en-tête.

- Si vos montants muraux ne sont pas à 16" au centre, ce qui ne correspondra pas à notre rail (notre rail est livré avec des trous pré-perçés tous les 16" au centre)
- Si votre type de mur n'est pas un mur en béton, est-ce une cloison sèche ou un autre type de mur (comme celui-ci peut ne pas supporter le poids du rail et de la porte montée)
- S'il y a une garniture de porte



Attention : le panneau d'en-tête et les vis pour installer le panneau d'en-tête ne sont pas inclus. Vous pouvez les acheter en ligne ou hors ligne.

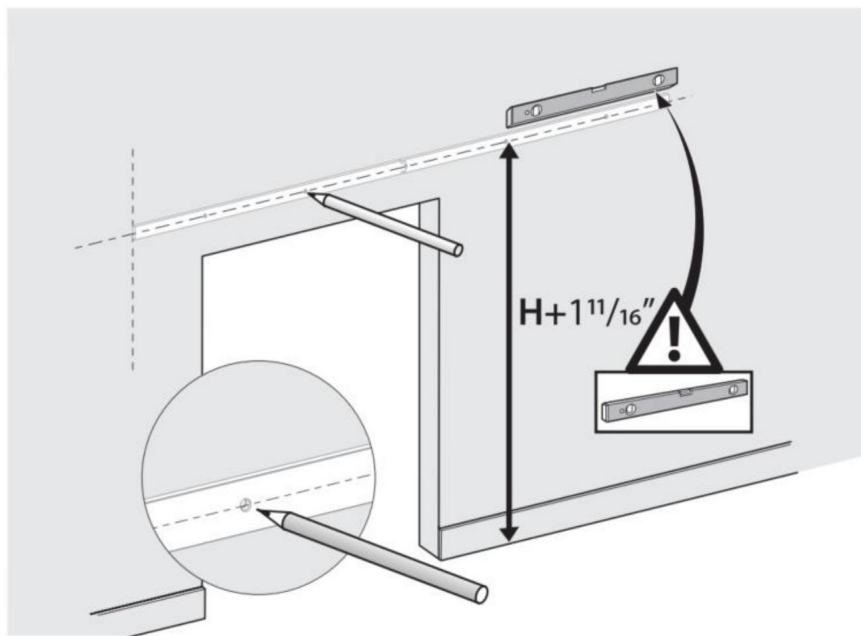
Étape 1

1.1. Utilisez un niveau et un ruban à mesurer pour marquer la ligne centrale de la piste. indiqué dans le diagramme de sélection de produit, la hauteur de la porte est H dans le

image ci-dessus, la hauteur de la ligne centrale (mesurée à partir du sol) est la hauteur de votre porte PLUS 1-11/16".

1.2. Positionnez la piste en place près de la ligne centrale marquée, en vous assurant qu'elle est de niveau, et utilisez la piste comme gabarit pour marquer l'emplacement des trous de montage pour le tracer avec un crayon.

Voir le conseil d'installation ci-dessous.

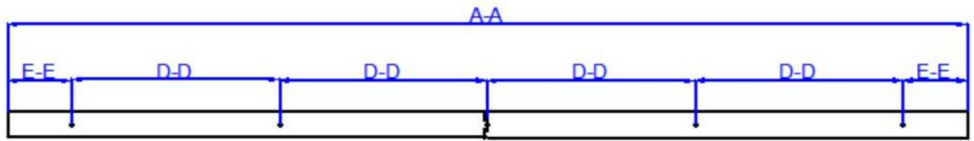


La piste doit couvrir entièrement les ouvertures des portes sur les panneaux muraux ; nous suggérer qu'une extrémité de la piste soit au ras de l'ouverture du mur, et ceci est lié à la largeur de la porte.

CONSEIL D'INSTALLATION :

Pour marquer les trous plus facilement, vous pouvez installer un rail avec une extrémité boulon sans entretoise, qui permet de fixer une extrémité de la piste. Et puis vous pouvez déplacer l'extrémité libre pour assurer le niveau de la piste afin de marquer les trous de montage.

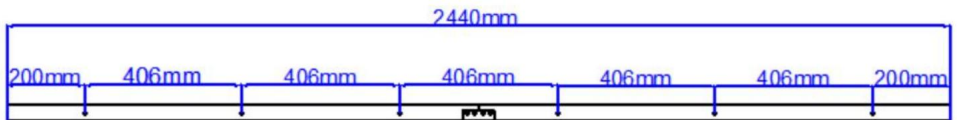
Vous pouvez également vous référer à la taille de la piste pour marquer la position de l'ouverture de la piste



| Modèle | longueur du rail AA | trou de rail distance DD | trou côté rail et bord de rail ET ET | Nombre de marqué trous |
|---------------------------|------------------------|--------------------------------|--|------------------------------|
| 5 pieds-2D-5K-H | 5 pieds (1500 mm) | 325 mm | 100 mm | 5 pièces |
| 5FT-2D-5K-Y | | | | |
| 6 pieds-2 pieds-5 pieds-h | 6 pieds (1830 mm) | 406 mm | 103 mm | 5 pièces |
| 6 pieds-2D-5K-Y | | | | |
| 6,6 pieds-2D-5K-H | 6,6 pieds (2000 mm) | 406 mm | 188 mm | 5 pièces |
| 6,6 pieds-2D-5K-Y | | | | |

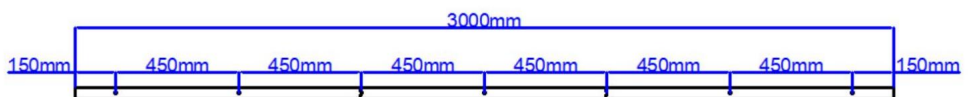
Les trous de montage du rail du modèle 8FT-2D-6K, 8ft(J) porte simple et

Les portes simples de 8 pieds (l) sont les suivantes, six trous ;



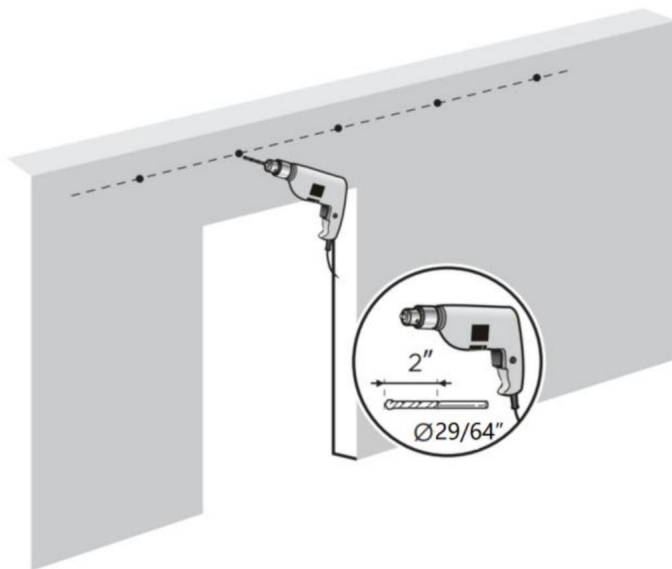
Dimensions de montage du rail pour les modèles 10FT-3D-7K-J et 10FT-3D-7K-I

sont les suivants, sept trous;



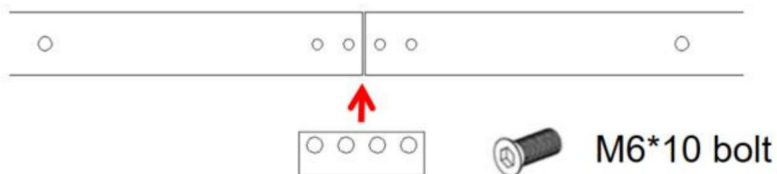
Étape 2 :

2.1. Utilisez un trou de $\Phi 29/64$ po dans la position marquée, à 2 pouces de profondeur ;

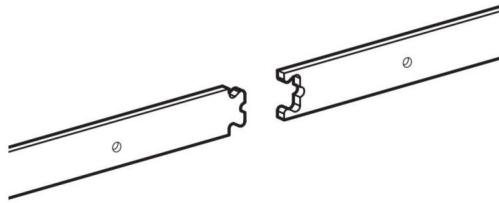


Étape 3 : Installer le rail de guidage

3.1. Les 2 guides du modèle 8FT-2D-6K sont combinés par une sangle de connexion et 4 boulons ;

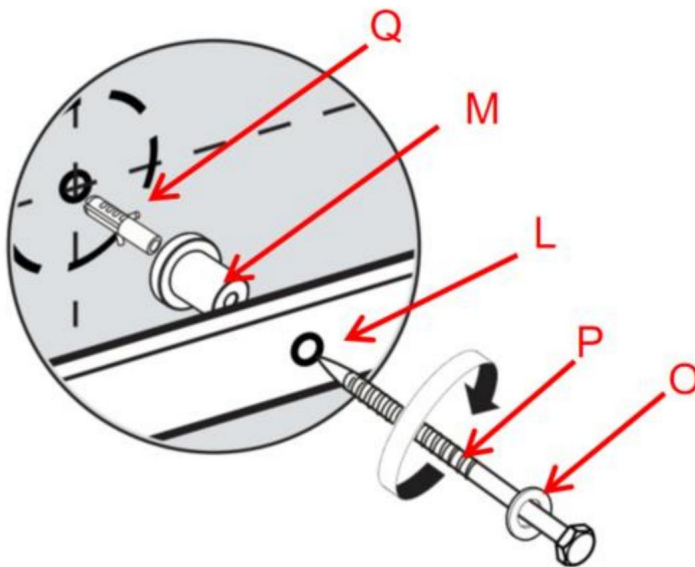


Les modèles restants sont des combinaisons en forme de fleur via le rail.



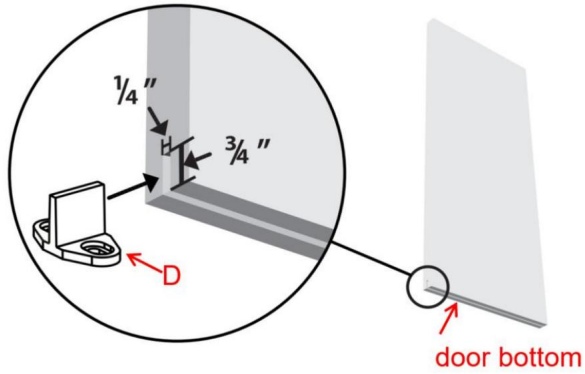
3.2. Installation du mur en béton.

Installez d'abord le boulon d'expansion en plastique Q dans les trous du mur en béton, puis utilisez la vis P à travers les rondelles O, le rail L et l'entretoise murale M, et enfin verrouillez le boulon d'expansion en plastique Q.



Étape 4

Utilisez une toupie ou une scie circulaire pour créer une entaille au bas de la porte, le long du centre pour permettre à la pointe du guide au sol en forme de T de s'insérer entre les deux. Le guide au sol est utilisé pour maintenir votre porte stable et empêcher le bas de la porte de osciller d'avant en arrière lorsque vous la faites glisser pour l'ouvrir et la fermer.



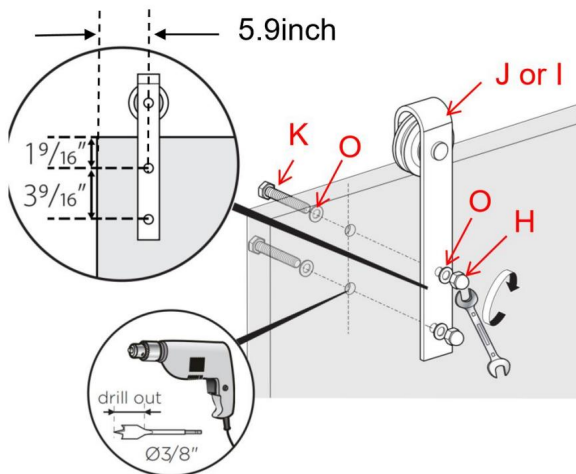
Étape 5

Selon la figure suivante, utilisez le boulon K pour passer à travers la rondelle O, la porte, le cintre J, la rondelle O, et enfin serrez le boulon H avec l'écrou pour fixer le cintre J sur le dessus de la porte ; installez les cintres sur le dessus de la porte, assurez-vous que le boulon K est situé sur la ligne médiane du côté supérieur de la porte.

Chaque cintre nécessite deux boulons ; 2 cintres sont nécessaires pour chaque porte.

Remarque : le cintre pour le modèle 10FT-3D-7K-I est le cintre I.

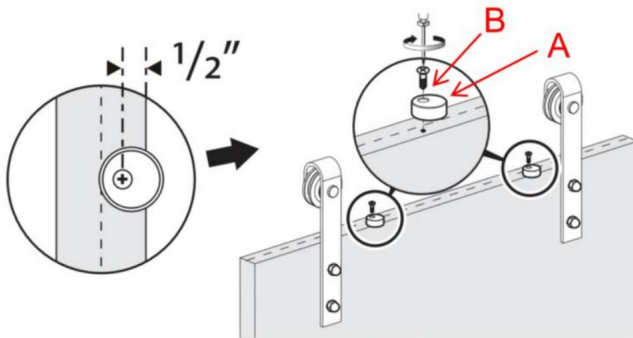
Si l'épaisseur de votre porte est de 1-3/4 pouce, vous n'avez pas besoin d'installer la rondelle O.



Étape 6

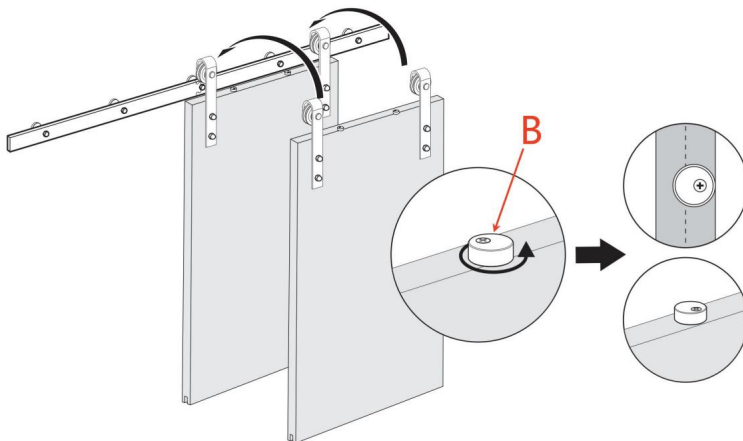
Les blocs anti-saut sont utilisés pour empêcher la porte de toucher le rail lors du coulissement de la porte.

Tout d'abord, marquez à 0,5 pouce du bord de la porte, puis laissez les trous de vis du bloc anti-saut A aligner la marque, utilisez la vis B à travers le bloc anti-saut A et verrouillez la marque.



Étape 7

Accrochez la porte au rail et faites pivoter les blocs anti-saut de 180°



Étape 8

Faites glisser les butées de porte C aux deux extrémités du rail.

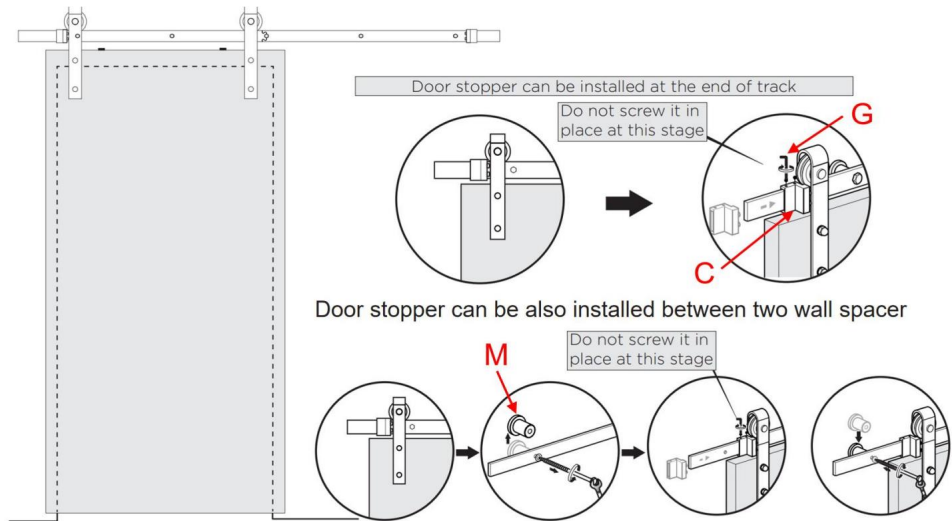
Faites glisser la porte vers l'arrière et vers l'avant pour tester dans quelle mesure la porte couvre l'ouverture.

Repositionnez les butées de porte selon vos besoins. Ajustez la position des butées gauche et droite.

butée de porte droite lorsque la porte est ouverte et fermée. Si vous réduisez la porte voyage, les butées de porte C peuvent se déplacer vers le milieu du rail.

Lorsque les butées de porte C sont bloquées par l'entretoise murale M et ne peuvent pas bouger, vous pouvez retirer l'entretoise murale M, la déplacer vers la position appropriée, puis réinstallez les butées de porte M dans leur position d'origine.

La butée de porte peut également être installée entre deux entretoises murales



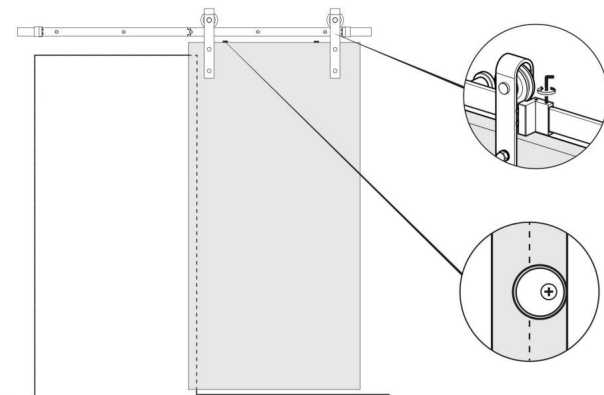
Étape 9

Contrôle final des butées de porte et des blocs anti-saut.

Vérifiez que les butées de porte sont correctement placées et serrées en place par le

Clé hexagonale G.

Vérifiez également que les blocs anti-saut sont correctement tournés et serrés.

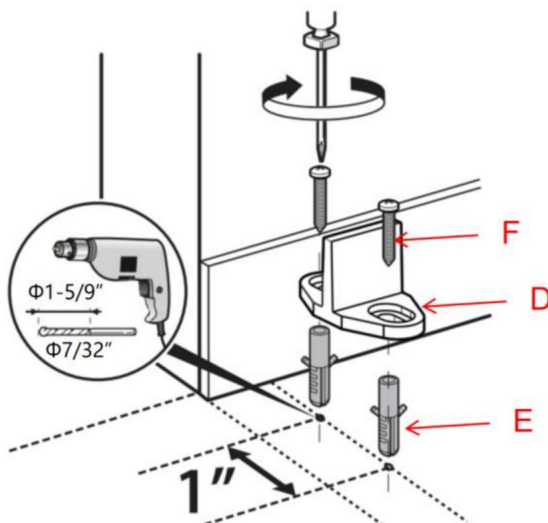


Étape 10

Installez le guide au sol D.

10.1. Placez d'abord le guide au sol sur le sol dans une position appropriée, en faisant glisser la porte de manière à ce que la pointe du guide au sol puisse bien fonctionner dans la fente du bas de la porte. Ensuite, marquez 2 trous du guide au sol. Ensuite, deux trous de vis à travers le guide au sol marquent deux points sur le sol.

10.2. Utilisez un foret $\Phi 7/32''$ pour percer des trous d'une profondeur de 1,375 pouce sur la marque au sol ; placez ensuite le boulon d'expansion en plastique E dans le trou au sol ; la vis F passe à travers le trou de vis du guide au sol D et est installée dans le boulon d'expansion en plastique E pour terminer l'installation du guide au sol D.



Fabricant : Shanghaimuxinmuyeyouxiangongsi Adresse :
Shuangchenglu 803nong11hao1602A-1609shi, baoshanqu, shanghai 200000 CN.

Importé en Australie : SIHAO PTY LTD. 1 ROKEVA STREETEASTWOOD NSW 2122
Australie

Importé aux États-Unis : Sanven Technology Ltd. Suite 250, 9166 Anaheim Place,
Rancho Cucamonga, CA 91730



YH CONSULTING LIMITED. C/O YH Consulting Limited
Bureau 147, Centurion House, London Road, Staines-
upon-Thames, Surrey, TW18 4AX



E-CrossStu GmbH
Mainzer Landstr.69,
60329 Francfort-sur-le-Main.

VEVOR[®]

TOUGH TOOLS, HALF PRICE

Assistance technique et certificat de garantie
électronique www.vevor.com/support

VEVOR[®]

TOUGH TOOLS, HALF PRICE

Technischer Support und E-Garantie-Zertifikat www.vevor.com/support

EINFACHE SCHIEBETÜR-BESCHLÄGE FÜR SCHEUNENTOREN

**MODELL:5FT-2D-5K-H/5FT-2D-5K-Y/6FT-2D-5K-H/
6FT-2D-5K-Y/6.6FT-2D-5K-H/6.6FT-2D-5K-Y/
8FT-2D-6K/8FT(J)Einzeltür/8FT(I)Einzeltür/
10FT-3D-7K-J/10FT-3D-7K-I**

Wir sind weiterhin bestrebt, Ihnen Werkzeuge zu wettbewerbsfähigen Preisen anzubieten. „Sparen Sie die Hälfte“, „Halber Preis“ oder andere ähnliche Ausdrücke, die wir verwenden, stellen nur eine Schätzung der Ersparnis dar, die Sie beim Kauf bestimmter Werkzeuge bei uns im Vergleich zu den großen Topmarken erzielen können, und decken nicht unbedingt alle von uns angebotenen Werkzeugkategorien ab. Wir möchten Sie freundlich daran erinnern, bei der Bestellung bei uns sorgfältig zu prüfen, ob Sie im Vergleich zu den großen Topmarken tatsächlich die Hälfte sparen.

VEVOR®

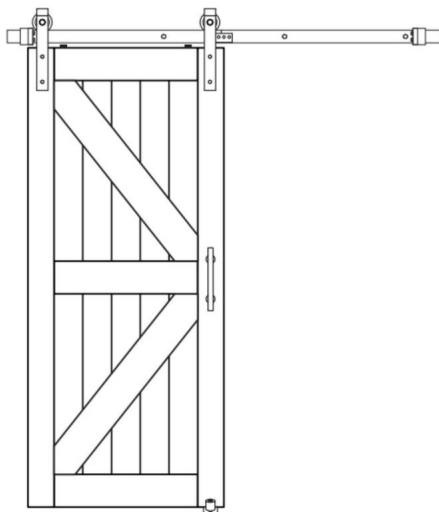
TOUGH TOOLS, HALF PRICE

Etagenregister

MODELL:5FT-2D-5K-H/5FT-2D-5K-Y/6FT-2D-5K-H/6FT-2D-5K-Y/

6.6FT-2D-5K-H/6.6FT-2D-5K-Y/8FT-2D-6K/8FT(J)Einzeltür/ 8FT(I)Einzeltür/

10FT-3D-7K-J/10FT-3D-7K-I



Brauchen Sie Hilfe? Kontaktieren Sie uns!

Haben Sie Fragen zum Produkt? Benötigen Sie technischen Support? Bitte kontaktieren Sie uns:

Technischer Support und E-Garantie-Zertifikat www.vevor.com/support

Dies ist die Originalanleitung. Bitte lesen Sie alle Anweisungen sorgfältig durch, bevor Sie das Gerät in Betrieb nehmen. VEVOR behält sich eine klare Auslegung unserer Bedienungsanleitung vor. Das Erscheinungsbild des Produkts richtet sich nach dem Produkt, das Sie erhalten haben. Bitte verzeihen Sie uns, dass wir Sie nicht erneut informieren, wenn es Technologie- oder Software-Updates für unser Produkt gibt.

SICHERHEITSHINWEISE

WARNUNG:

Lesen Sie dieses Material, bevor Sie dieses Produkt verwenden. Andernfalls kann es zu schwere Verletzungen.

Vorsichtsmaßnahmen bei der Montage

1. Nur gemäß dieser Anleitung zusammenbauen. Unsachgemäßer Zusammenbau kann Gefahren schaffen.
2. Tragen Sie ANSI-zugelassene Schutzbrillen und schwere Arbeitshandschuhe während Montage.
3. Halten Sie den Versammlungsbereich sauber und gut beleuchtet.
4. Halten Sie während der Montage unbeteiligte Zuschauer vom Bereich fern.
5. Nicht zusammenbauen, wenn Sie müde sind oder unter dem Einfluss von Alkohol, Drogen oder Medikamenten stehen.
6. Produktfunktionen gelten für ordnungsgemäß und vollständig montierte Produkte nur.
7. Weitere Informationen zu den im Folgenden aufgeführten Teilen finden Sie Seiten finden Sie im Montagediagramm dieses Handbuchs. Auspacken und Trennen Sie alle Teile in einem sauberen Arbeitsbereich.
8. Aus Sicherheitsgründen wird empfohlen, diese Hardware von 2 zu installieren Menschen
9. Produkte werden außerhalb der Reichweite von Kindern und Haustieren installiert;

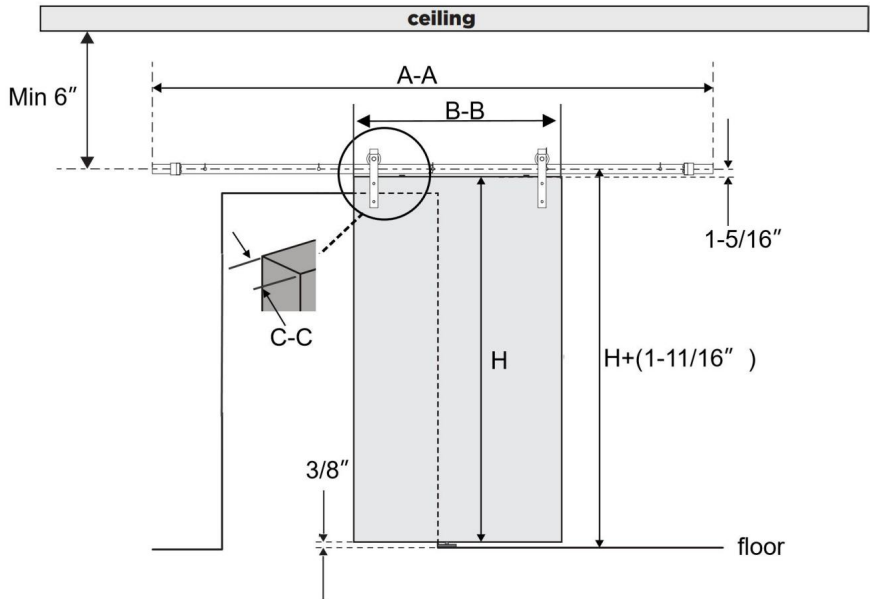
Vorsichtsmaßnahmen treffen

1. Dieses Produkt ist kein Spielzeug. Erlauben Sie Kindern nicht, mit diesem Artikel zu spielen.
2. Nur bestimmungsgemäß verwenden.
3. Vor jedem Gebrauch prüfen; nicht verwenden, wenn Teile lose oder beschädigt sind.

BEWAHREN SIE DIESE ANWEISUNGEN AUF

Produkteignung

Die Box enthält keine Türpaneele und andere Holzquadrate, die erfordern zusätzlichen Kauf



| Modell | Schiene­länge AA | Türbreite BB | Türstärke CC |
|-----------------|---------------------|-----------------|-------------------|
| 5FT-2D-5K-H | 5 Fuß (1500 mm) | ÿ30 Zoll | 1-3/8" bis 1-3/4" |
| 5FT-2D-5K-Y | | | |
| 6FT-2D-5K-H | 6 Fuß (1830 mm) | ÿ36 Zoll | 1-3/8" bis 1-3/4" |
| 6FT-2D-5K-Y | | | |
| 6.6FT-2D-5K-H | 6,6 Fuß (2000 mm) | 36-40 Zoll | 1-3/8" bis 1-3/4" |
| 6.6FT-2D-5K-Y | | | |
| 8FT-2D-6K | 8 Fuß (2440 mm) | 42-48 Zoll | 1-3/8" bis 1-3/4" |
| 8ft(j)Einzeltür | | | |
| 8ft(l)Einzeltür | | | |
| 10FT-3D-7K-J | 10 Fuß (3000 mm) | ÿ60 Zoll | 1-3/8" bis 1-3/4" |
| 10FT-3D-7K-I | | | |

Die restlichen Maße:

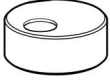

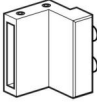






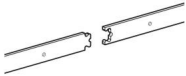
1. Produkt ist anwendbar auf die einzelne Schiebetür, die Türhöhe ist H abhängig von der Höhe, die Sie kaufen;
2. Die Höhe von der Gleismitte zum Boden muss 1,6875 Zoll höher sein als die Türhöhe;
3. Der Abstand der Schienenmitte von der Decke beträgt mindestens 6 Zoll.
4. Der Abstand zwischen der Unterseite und der Unterseite beträgt 0,375 Zoll

Parameterliste






| Modell | Produkt Farbe | Aufhänger Typ | Orbit-Aufteilung Nummer | Anzahl der Schienen Befestigungslöcher |
|-------------------------------|------------------|------------------|----------------------------|---|
| 5FT-2D-5K-H | Schwarz | J-Form | 2 Stück | 5 Stück |
| 5FT-2D-5K-Y Dunkelsilber | | | | |
| 6FT-2D-5K-H | Schwarz | | | |
| 6FT-2D-5K-Y Dunkelsilber | | | | |
| 6.6FT-2D-5K-H | Schwarz | | | |
| 6.6FT-2D-5K-Y Dunkelsilber | | | | |
| 8FT-2D-6K Dunkelsilber J-Form | | | | |
| 8ft(j)einzel Tür | Schwarz | J-Form | 2 Stück | 6 Stück |
| 8ft(l)einzel Tür | Schwarz | ich forme | | |
| 10FT-3D-7K-J | Schwarz | J-Form | 3 Stück | 7 Stück |
| 10FT-3D-7K-I | | ich forme | | |


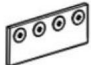

Ersatzteilliste

Gleiche Anzahl von Teilen

| | | | |
|--|---|--|---|
|  <p>A: Anti-Sprung-Block x 2 Stück</p> |  <p>B: M4x25 Senkkopf Blechschaube x 2 Stück</p> |  <p>C: Von Stopper x 2 Stück</p> |  <p>D: T-Form Bodenführung x 1 Stück</p> |
|  <p>E: 6x30 Kunststoff-Spreizbolzen x 2 Stück</p> |  <p>F: M4x25 Rund Blechschaube mit Innkopf x 2 Stück</p> |  <p>G: 2,5 mm Sechskant Schlüssel x 1 Stück</p> |  <p>H: Wand Abstandhalter x 4</p> |
|  <p>K: M10 x 55 Schraube x 4</p> |  <p>L: Schienensatz x 1 Stück</p> | | |

Teile mit unterschiedlichen Mengen

| | | | | | |
|---------------|---|--|--|---|---|
| <p>Modell</p> |  <p>J: Aufhänger-J</p> |  <p>O: Unterlegscheiben</p> |  <p>P: M8x 90 Schrauben</p> |  <p>Q: 12x50 Plastik Spreizdübel</p> |  <p>M: Wand Abstandhalter</p> |
|---------------|---|--|--|---|---|

| | | | | | |
|---|---|--|---|---|---|
| 5FT-2D- 5K-H | 2 | 13 | 5 | 5 | 5 |
| 5FT-2D- 5K-Y | | | | | |
| 6FT-2D- 5K-H | | | | | |
| 6FT-2D- 5K-Y | | | | | |
| 6,6 Fuß-2 D-5K-H | | | | | |
| 6,6 Fuß-2 D-5K-Y | | | | | |
| 8FT-2D- 6K | 2 | 14 | 6 | 6 | 6 |
| 8ft(j)einzeln und durch | | | | | |
| 8ft(l)Sing die Tür | | | | | |
| 10FT-3D -7K-J | 2 | 15 | 7 | 7 | 7 |
| 10FT-3D -7K-lch | 0 | | | | |
| <p>Im Folgenden sind die Modelle 8FT-2D-6K, 8ft(j)Einzeltür, 8ft(l)Einzeltür Nur für die Tür erhältliches Zubehör</p> | | | | | |
|  R: M6*10 Bolzen x 4 Stück |  S:Verbindung Riemen x 1 Stück |  T: 4 mm Sechskant x 1 Stück | | | |

Nachfolgend sind die Modelle 10FT-3D-7K-I und 8ft(I)Single Door aufgeführt.



I:Aufhänger-Ix2

Zerlegungsdiagramm des Modells 6ft-2d-5k-h



Hinweis: Die übrigen Modellzerlegungsdiagramme sind ähnlich

ACHTUNG

Der falsche Umgang mit schweren Gegenständen (z. B. Türen) kann zu Gleichgewichtsverlust und schweren Verletzungen führen. Achten Sie immer darauf, dass Sie den Gegenstand sicher im Griff haben und das Gleichgewicht halten, bevor Sie ihn bewegen. Tragen Sie beim Heben schwerer Gegenstände immer Sicherheitsschuhe.

Wenn Körperteile (z. B. Haare, Finger) in beweglichen Teilen hängen bleiben, kann dies zu Quetschgefahr und ernsthafte Verletzungen. Stecken Sie Ihre Finger nicht in bewegliche Teile und Entfernen oder verschließen Sie stets alle Gegenstände von Ihrem Körper, die sich in einem beweglichen Teil verfangen.











Das Schließen von Schiebetüren mit der Hand am Ende der Tür kann zu Ihre Hand oder Finger werden zwischen der Tür und anderen festen

Gegenstände (z. B. eine andere Tür, Zierleiste) und können zu schweren Verletzungen führen. Verwenden Sie immer die Türgriff zum Schließen der Tür

Nutzungserklärung

Übermäßiger Kraftaufwand beim Öffnen und Schließen der Tür(en) kann zu Beschädigung der Hardware. Halten Sie den Griff immer fest, um das von(n).

Erforderliches Werkzeug

| | | | |
|--|---|---|---|
|  <p>Geschwindigkeitsquadrat</p> |  <p>Bleistift</p> |  <p>Phillips Schraubendreher</p> |  <p>Band</p> |
|  <p>Schlüssel</p> |  <p>Ebene</p> |  <p>Bohren</p> |  <p>3/8" Bohrer</p> |
|  <p>29/64" Bohrer</p> |  <p>7/32" Bohrer</p> | | |

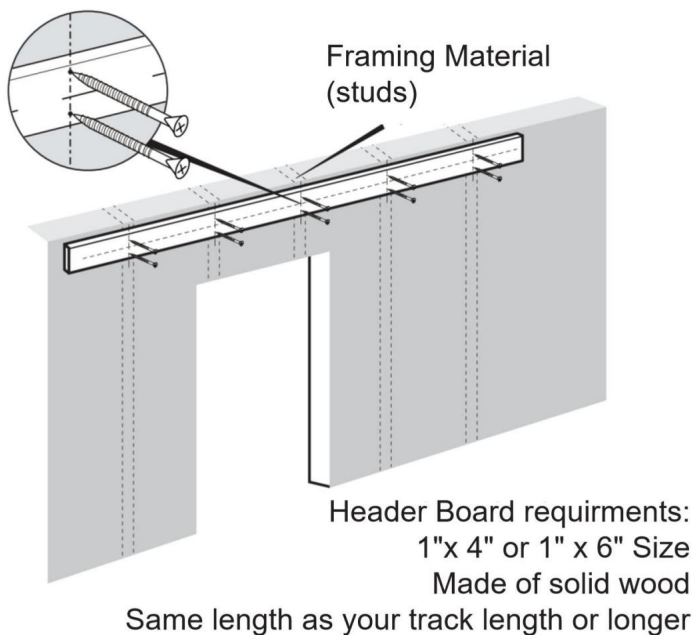
Produktmontage

Es ist sehr wichtig zu bestimmen, ob Sie einen Header installieren müssen
Brett, bevor Sie die Schiene installieren.

Wenn Sie auf die folgenden Situationen stoßen, empfehlen wir Ihnen dringend die Verwendung eines
Kopfbrett. • WENN

Ihre Wandpfosten nicht 16" in der Mitte sind, was nicht mit unserem übereinstimmt
Schiene (unsere Schiene hat alle 16" vorgebohrte Löcher in der Mitte) • WENN

Ihr Wandtyp keine Betonwand, sondern Trockenbauwand oder ein anderer Wandtyp ist (wie dies
kann das Gewicht der Schiene und der montierten Tür nicht tragen) • WENN
eine Türverkleidung vorhanden ist



**Achtung: Die Kopfplatte und die Schrauben zur Befestigung der Kopfplatte sind nicht
enthalten. Sie können sie online oder offline kaufen.**

Schritt 1

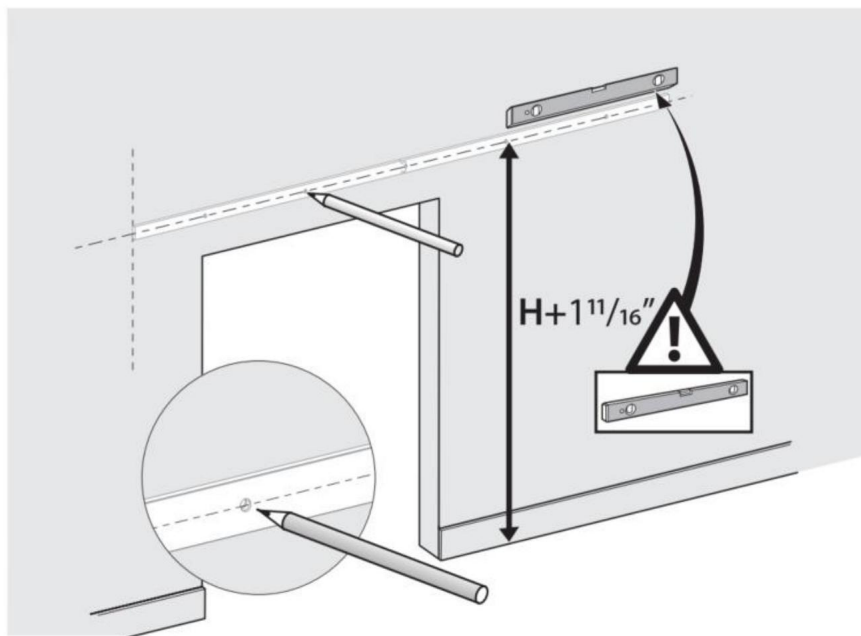
1.1. Markieren Sie mit einer Wasserwaage und einem Maßband die Mittellinie der Schiene.

Im Produktauswahldiagramm ist die Türhöhe H in der

Bild oben, die Höhe der Mittellinie (vom Boden aus gemessen) beträgt die Höhe Ihrer Tür PLUS 1-11/16".

1.2. Positionieren Sie die Schiene an der markierten Mittellinie, stellen Sie sicher, dass sie waagrecht ist, und verwenden Sie die Schiene als Vorlage, um die Position der Befestigungslöcher für die mit einem Bleistift verfolgen.

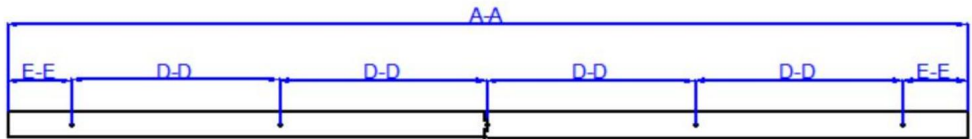
Siehe Installationstipp unten.



Die Schiene muss die Türöffnungen an den Wandpaneelen vollständig abdecken. schlagen vor, dass ein Ende der Schiene bündig mit der Öffnung der Wand abschließt, und dies hängt mit der Breite der Tür zusammen.

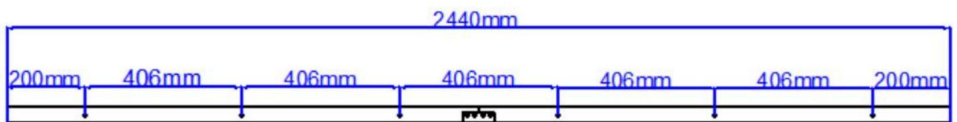
INSTALLATIONSTIPP:

Um die Löcher bequemer zu markieren, können Sie die Schiene mit einem Ende installieren Bolzen ohne Abstandshalter, der hilft, ein Ende der Schiene zu fixieren. Und dann können Sie Bewegten Sie das freie Ende, um sicherzustellen, dass die Schiene waagrecht ist und die Befestigungslöcher markiert sind. Sie können sich auch an der Spurgröße orientieren, um die Position der Spuröffnung zu markieren

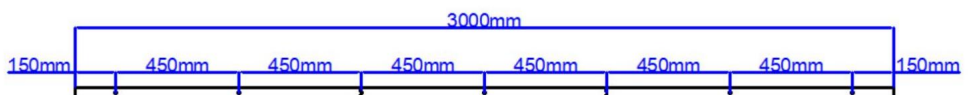


| Modell | Schienenlänge AA | Schienenloch Distanz DD | Schienenseitiges Loch und Schienenkante UND UND | Anzahl der markiert Löcher |
|---------------|---------------------|-------------------------------|---|----------------------------------|
| 5FT-2D-5K-H | 5 Fuß (1500 mm) | 325 mm | 100 mm | 5 Stück |
| 5FT-2D-5K-Y | | | | |
| 6FT-2D-5K-H | 6 Fuß (1830 mm) | 406 mm | 103 mm | 5 Stück |
| 6FT-2D-5K-Y | | | | |
| 6.6FT-2D-5K-H | 6,6 Fuß (2000 mm) | 406 mm | 188 mm | 5 Stück |
| 6.6FT-2D-5K-Y | | | | |

Die Schienenbefestigungslöcher des Modells 8FT-2D-6K, 8ft(J)Einzeltür und 8ft(l)-Einzeltür hat folgende Eigenschaften: sechs Löcher;

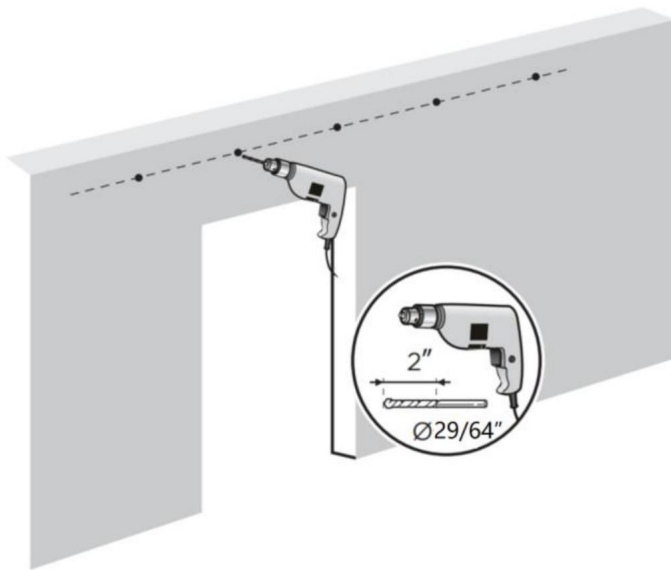


Die Schienenmontagmaße für die Modelle 10FT-3D-7K-J und 10FT-3D-7K-I sind wie folgt: sieben Löcher;



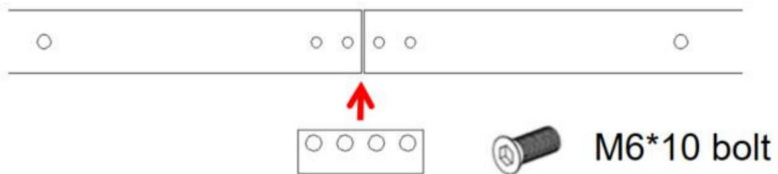
Schritt 2:

2.1. Bohren Sie an der markierten Stelle ein $\frac{1}{4}$ "-Bohrloch mit einer Tiefe von 2 Zoll.

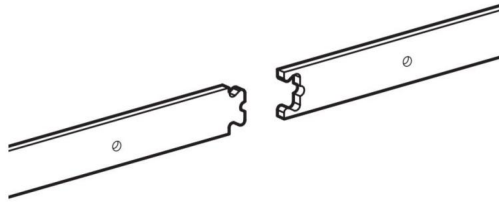


Schritt 3: Installieren Sie die

Führungsschiene 3.1. Die 2 Führungen des Modells 8FT-2D-6K werden durch ein Verbindungsband und 4 Schrauben verbunden;

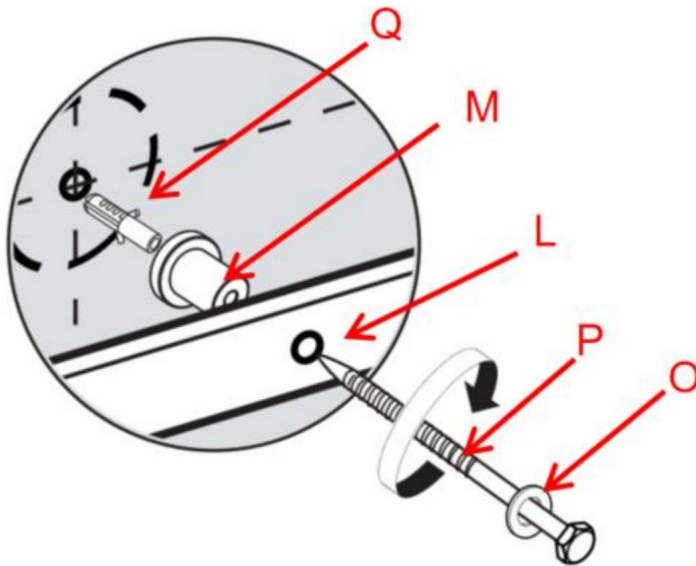


Bei den restlichen Modellen handelt es sich um blumenförmige Kombinationen über die Reling.



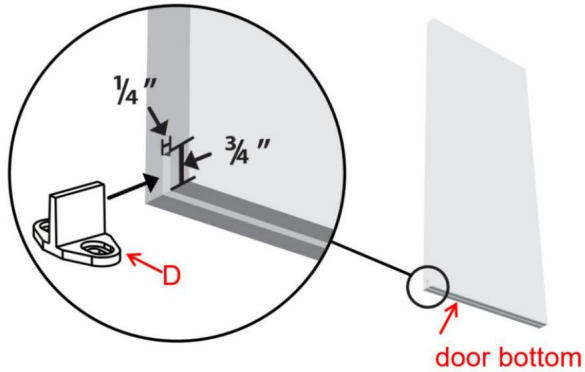
3.2. Betonwandinstallation.

Montieren Sie zuerst den Kunststoff-Spreizbolzen Q in den Löchern an der Betonwand. Führen Sie dann die Schraube P durch die Unterlegscheiben O, die Schiene L und den Wandabstandshalter M und verriegeln Sie ihn schließlich mit dem Kunststoff-Spreizbolzen Q.



Schritt

4: Erstellen Sie mit einem Fräser oder einer Kreissäge unten an der Tür mittig einen Schnitt, damit die Spitze der T-förmigen Bodenführung dazwischen passt. Die Bodenführung dient der Stabilisierung Ihrer Tür und verhindert ein Hin- und Herschwingen der Türunterseite beim Öffnen und Schließen.



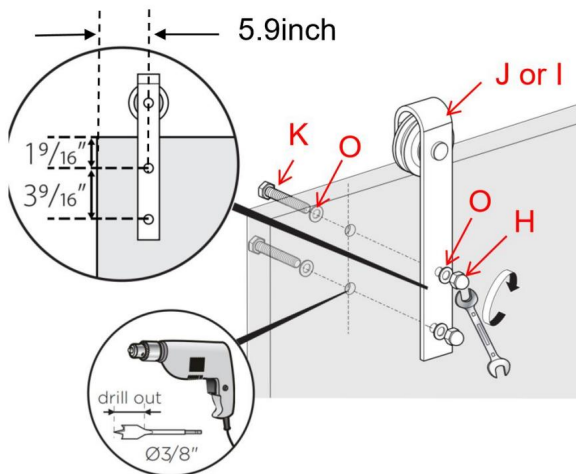
Schritt 5:

Führen Sie gemäß der folgenden Abbildung die Schraube K durch die Unterlegscheibe O, die Tür, den Aufhänger J und die Unterlegscheibe O und ziehen Sie schließlich die Schraube H mit der Mutter fest, um den Aufhänger J oben an der Tür zu befestigen. Montieren Sie die Aufhänger oben an der Tür. Achten Sie darauf, dass sich die Schraube K in der Mittellinie der Oberseite der Tür befindet.

Für jeden Kleiderbügel sind zwei Schrauben erforderlich; für jede Tür werden zwei Kleiderbügel benötigt.

Hinweis: Der Aufhänger für das Modell 10FT-3D-7K-I ist der Aufhänger I.

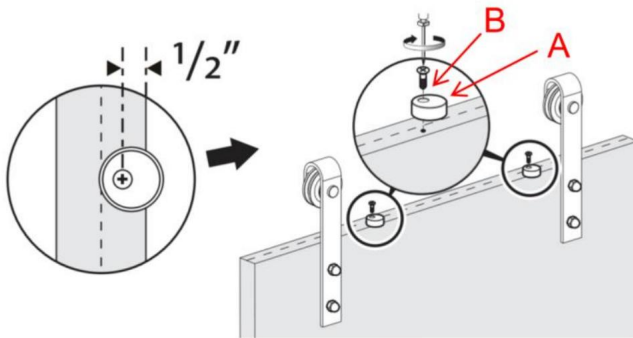
Wenn Ihre Türstärke 1-3/4 Zoll beträgt, müssen Sie die Unterlegscheibe O nicht installieren.



Schritt

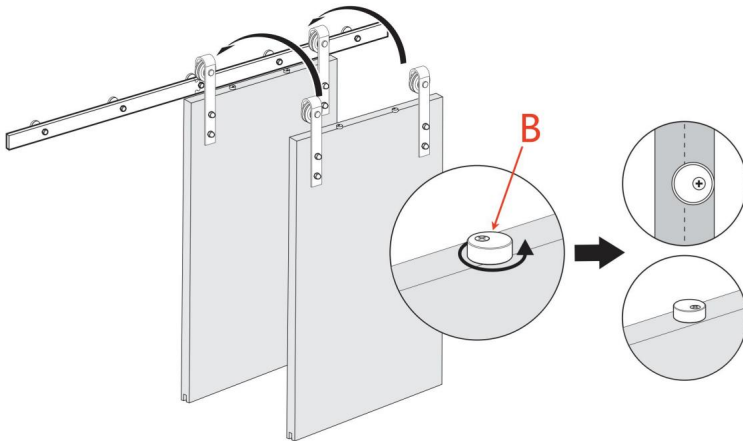
6: Die Anti-Sprung-Blöcke werden verwendet, um zu verhindern, dass die Tür beim Verschieben die Schiene berührt.

Markieren Sie zunächst 0,5 Zoll vom Türtrand entfernt, richten Sie dann die Schraubenlöcher des Anti-Sprungblocks A an der Markierung aus, führen Sie die Schraube B durch den Anti-Sprungblock A und verriegeln Sie sie an der Markierung.



Schritt 7

Hängen Sie die Tür über die Schiene und drehen Sie die Anti-Sprung-Blöcke um 180°



Schritt 8

Schieben Sie die Türstopper C an beiden Enden der Schiene.

Schieben Sie die Tür vor und zurück, um zu testen, wie gut die Tür die Öffnung abdeckt.

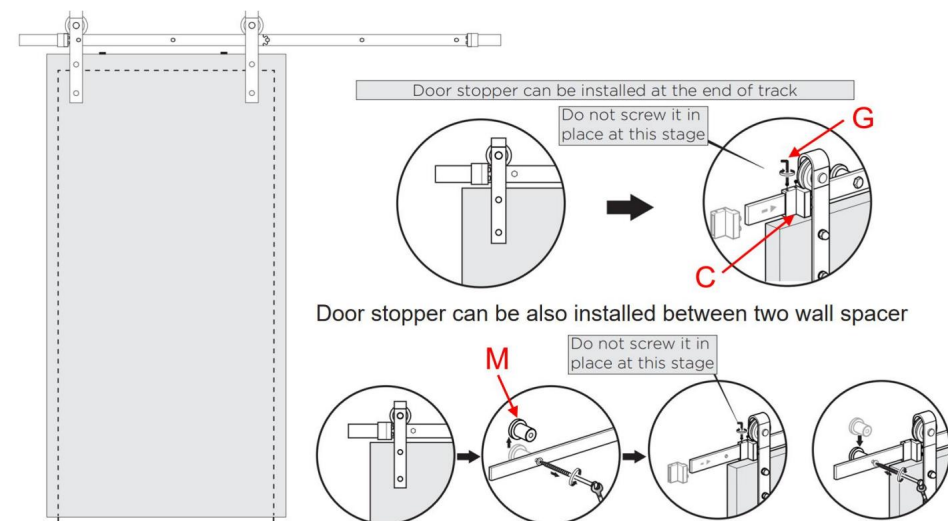
Positionieren Sie die Türstopper nach Bedarf. Passen Sie die Position des linken und rechten Türstopper beim Öffnen und Schließen der Tür. Wenn Sie die Tür verkleinern

Durch die Auslösung können sich die Türstopper C zur Schienenmitte hin bewegen.

Wenn der Türstopper C durch den Wandabstandshalter M blockiert ist und sich nicht bewegen lässt, können Sie den Wandabstandshalter M entfernen, in die entsprechende Position bringen und dann

Montieren Sie die Türstopper M wieder an der ursprünglichen Position.

Türstopper kann auch zwischen zwei Wandabstandshaltern montiert werden

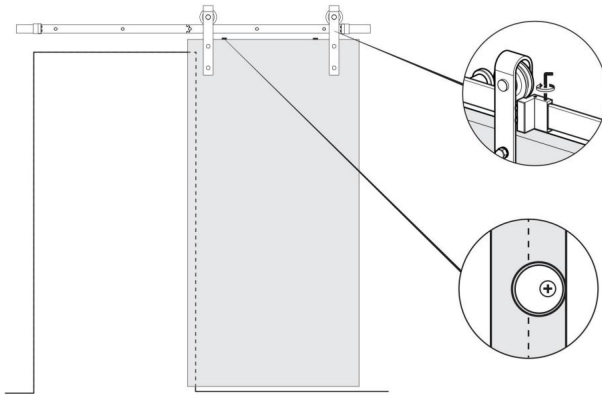


Schritt 9

Endkontrolle der Türstopper und Anti-Sprung-Blöcke.

Überprüfen Sie, dass die Türstopper richtig sitzen und mit dem Inbusschlüssel G.

Überprüfen Sie außerdem, ob die Anti-Sprung-Blöcke richtig gedreht und festgezogen sind.

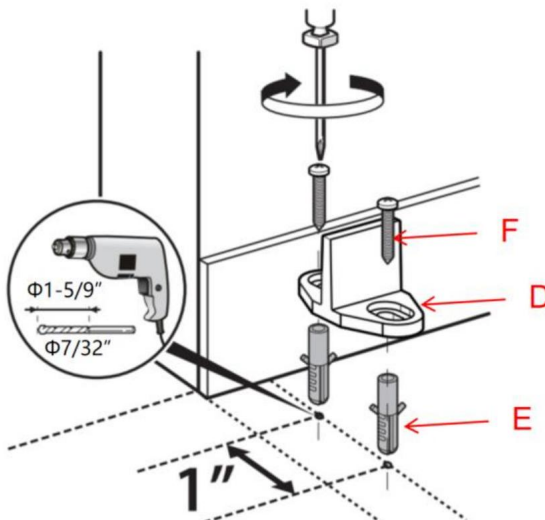


Schritt 10:

Installieren Sie die Bodenführung D.

10.1. Legen Sie die Bodenführung zunächst in eine geeignete Position auf den Boden und schieben Sie die Tür so, dass die Spitze der Bodenführung gut in den Schlitz an der Unterseite der Tür passt. Markieren Sie dann zwei Löcher in der Bodenführung. Markieren Sie dann zwei Schraubenlöcher durch die Bodenführung, um zwei Punkte auf dem Boden zu markieren.

10.2. Verwenden Sie einen $\frac{7}{32}$ "-Bohrer, um Löcher mit einer Tiefe von 1,375 Zoll auf der Bodenmarkierung zu bohren; stecken Sie dann den Kunststoff-Spreizbolzen E in das Bodenloch; Schraube F geht durch das Schraubenloch der Bodenführung D und wird im Kunststoff-Spreizbolzen E installiert, um die Installation der Bodenführung D abzuschließen.



Hersteller: Shanghaimuxinmuyeyouxiangongsi **Adresse:**

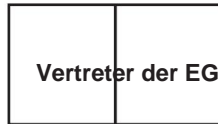
Shuangchenglu 803nong11hao1602A-1609shi, Baoshanqu, Shanghai 200000 CN.

Nach AUS importiert: SIHAO PTY LTD. 1 ROKEVA STREETEASTWOOD NSW 2122
Australien

Importiert in die USA: Sanven Technology Ltd. Suite 250, 9166 Anaheim Place,
Rancho Cucamonga, CA 91730



YH CONSULTING LIMITED. C/O YH Consulting Limited
Office 147, Centurion House, London Road, Staines-
upon-Thames, Surrey, TW18 4AX



E-CrossStu GmbH
Mainzer Landstr.69,
60329 Frankfurt am Main.

VEVOR[®]

TOUGH TOOLS, HALF PRICE

Technischer Support und E-Garantie-Zertifikat

www.vevor.com/support

VEVOR[®]

TOUGH TOOLS, HALF PRICE

Supporto tecnico e certificato di garanzia elettronica www.vevor.com/support

KIT FERRAMENTA SEMPLICE PER PORTA SCORREVOLE PER FIENILE

**MODELLO:5FT-2D-5K-H/5FT-2D-5K-Y/6FT-2D-5K-H/
6FT-2D-5K-Y/6.6FT-2D-5K-H/6.6FT-2D-5K-Y/
8FT-2D-6K/8FT(J)Porta singola/8FT(I)Porta singola/
10FT-3D-7K-J/10FT-3D-7K-I**

Continuiamo a impegnarci per fornirvi strumenti a prezzi competitivi.

"Risparmia la metà", "Metà prezzo" o qualsiasi altra espressione simile da noi utilizzata rappresenta solo una stima del risparmio che potresti ottenere acquistando determinati utensili con noi rispetto ai principali marchi principali e non significa necessariamente coprire tutte le categorie di utensili da noi offerti. Ti ricordiamo gentilmente di verificare attentamente quando effettui un ordine con noi se stai effettivamente risparmiando la metà rispetto ai principali marchi principali.

VEVOR®

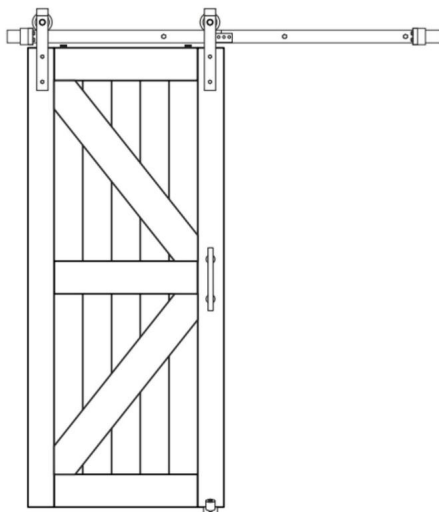
TOUGH TOOLS, HALF PRICE

Registro di piano

MODELLO:5FT-2D-5K-H/5FT-2D-5K-Y/6FT-2D-5K-H/6FT-2D-5K-Y/

6.6FT-2D-5K-H/6.6FT-2D-5K-Y/8FT-2D-6K/8FT(J)Porta singola/ 8FT(I)Porta

singola/10FT-3D-7K-J/10FT-3D-7K-I



HAI BISOGNO DI AIUTO? CONTATTACI!

Hai domande sul prodotto? Hai bisogno di supporto tecnico? Non esitare a contattarci:

Supporto

tecnico e certificato di garanzia elettronica www.vevor.com/

support

Questa è l'istruzione originale, si prega di leggere attentamente tutte le istruzioni del manuale prima di utilizzare. VEVOR si riserva una chiara interpretazione del nostro manuale utente. L'aspetto del prodotto sarà soggetto al prodotto ricevuto. Vi preghiamo di perdonarci se non vi informeremo di nuovo se ci sono aggiornamenti tecnologici o software sul nostro prodotto.

ISTRUZIONI DI SICUREZZA

AVVERTIMENTO:

Leggere questo materiale prima di utilizzare questo prodotto. La mancata osservanza di questa norma può comportare lesioni gravi.

Precauzioni di montaggio

1. Assemblare solo secondo queste istruzioni. Un assemblaggio improprio può creare pericoli.
2. Indossare occhiali di sicurezza approvati ANSI e guanti da lavoro resistenti durante assemblaggio.
3. Mantenere l'area di assemblaggio pulita e ben illuminata.
4. Tenere gli astanti fuori dall'area durante l'assemblaggio.
5. Non riunirsi quando si è stanchi o sotto l'effetto di alcol, droghe o farmaci.
6. Le capacità del prodotto si applicano al prodotto correttamente e completamente assemblato soltanto.
7. Per ulteriori informazioni sulle parti elencate di seguito pagine, fare riferimento allo schema di montaggio di questo manuale. Scartare e separare tutte le parti in un'area di lavoro pulita.
8. Per motivi di sicurezza, si consiglia di installare questo hardware da 2 persone
9. I prodotti siano installati lontano dalla portata di bambini e animali domestici;

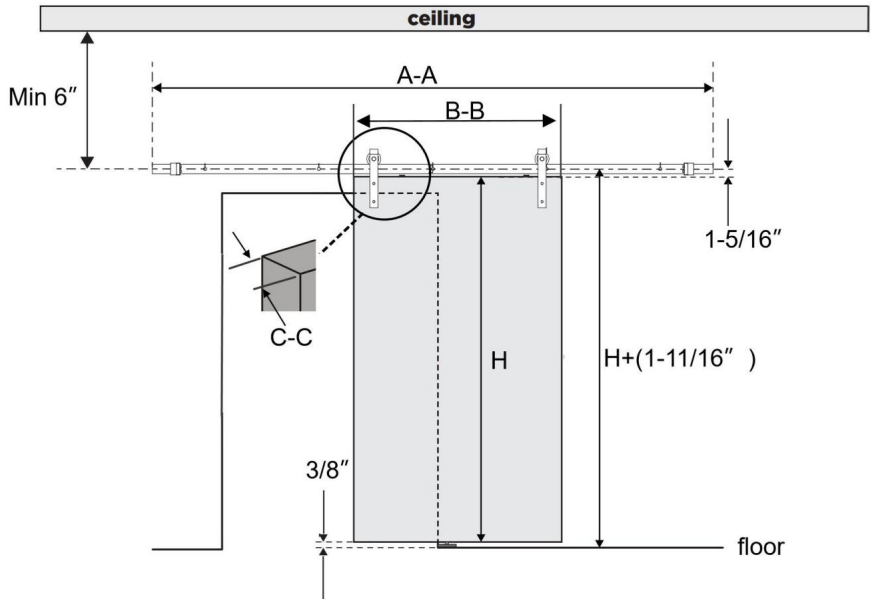
Usare precauzioni

1. Questo prodotto non è un giocattolo. Non permettere ai bambini di giocare con questo articolo.
2. Utilizzare solo come previsto.
3. Ispezionare prima di ogni utilizzo; non utilizzare se alcune parti sono allentate o danneggiate.

SALVA QUESTE ISTRUZIONI

Idoneità del prodotto

La scatola non contiene pannelli porta e altri quadrati di legno, che richiedono un acquisto aggiuntivo



| Modello | lunghezza della rotaia AAA | Larghezza della porta BB | Spessore della porta CC |
|---------------------------|---------------------------------------|-------------------------------------|------------------------------------|
| 5 piedi-2 giorni-5 km-h | 5 piedi (1500 mm) | 30 pollici | Da 1-3/8" a 1-3/4" |
| 5FT-2D-5K-Y | | | |
| 6 piedi-2 giorni-5 km-h | 6 piedi (1830 mm) | 36 pollici | Da 1-3/8" a 1-3/4" |
| 6FT-2D-5K-Y | | | |
| 6,6 piedi-2 giorni-5 km-h | 6,6 piedi (2000 mm) | 36-40 pollici | Da 1-3/8" a 1-3/4" |
| 6.6FT-2D-5K-Y | | | |
| 8 piedi-2 giorni-6 km | 8 piedi (2440 mm) | 42-48 pollici | Da 1-3/8" a 1-3/4" |
| 8ft(j)porta singola | | | |
| 8ft(l)porta singola | | | |
| 10FT-3D-7K-J | 10 piedi (3000 mm) | 60 pollici | Da 1-3/8" a 1-3/4" |
| 10FT-3D-7K-I | | | |

Le dimensioni rimanenti:

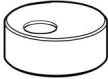

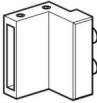


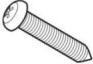



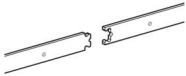
1. Il prodotto è applicabile alla porta scorrevole singola, l'altezza della porta è H a seconda dell'altezza acquistata;
2. L'altezza dal centro del binario al suolo deve essere 1,6875 pollici più alta rispetto all'altezza della porta;
3. La distanza del centro della pista dal soffitto non è inferiore a 6 pollici;
4. La distanza tra il lato inferiore e il lato inferiore è 0,375 pollici

Elenco dei parametri






| Modello | Prodotto colore | appendino tipo | Divisione dell'orbita numero | Numero di rotaie fuori di montaggio |
|----------------------------------|------------------------|-----------------------|-------------------------------------|--|
| 5 piedi-2 giorni-5 km-h | nero | stampo J | 2 pezzi | 5 pezzi |
| 5FT-2D-5K-Y Argento scuro | | | | |
| 6 piedi-2 giorni-5 km-h | nero | | | |
| 6FT-2D-5K-Y Argento scuro | | | | |
| 6,6 piedi-2 giorni-5 km-h | nero | | | |
| 6.6FT-2D-5K-Y Argento scuro | | | | |
| Stampo J argento scuro 8FT-2D-6K | | | | |
| 8 piedi(j)singolo porta | nero | stampo J | 2 pezzi | 6 pezzi |
| 8 piedi(l)singolo porta | nero | lo stampo | | |
| 10FT-3D-7K-J | nero | stampo J | 3 pezzi | 7 pezzi |
| 10FT-3D-7K-I | | lo stampo | | |


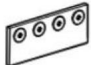

Elenco dei pezzi

Stesso numero di parti

| | | | |
|--|---|---|---|
|  <p>A: Blocco anti-salto × 2 pezzi</p> |  <p>Si: M4×25 testa svasata vite autofilettante × 2 pezzi</p> |  <p>C: Di Tappo × 2 pezzi</p> |  <p>Forma D:T Guida al pavimento × 1 pz.</p> |
|  <p>E: 6×30 Bullone di espansione in plastica × 2 pezzi</p> |  <p>F: M4×25 Rotondo vite autofilettante a testa esagonale × 2pz</p> |  <p>G: 2,5 mm esagonale Chiave × 1 pz.</p> |  <p>H: Muro Distanziatore × 4</p> |
|  <p>K: Bullone M10×55×4</p> |  <p>L: Kit rotaia × 1 pz.</p> | | |

Parti con quantità diverse

| | | | | | |
|----------------|--|--|---|--|---|
| <p>Modello</p> |  <p>J: Appendiabiti-J</p> |  <p>O: rondelle</p> |  <p>P: M8x 90 Vite</p> |  <p>Domanda: 12×50 Plastica bullone di espansione</p> |  <p>M: Muro Distanziatore</p> |
|----------------|--|--|---|--|---|

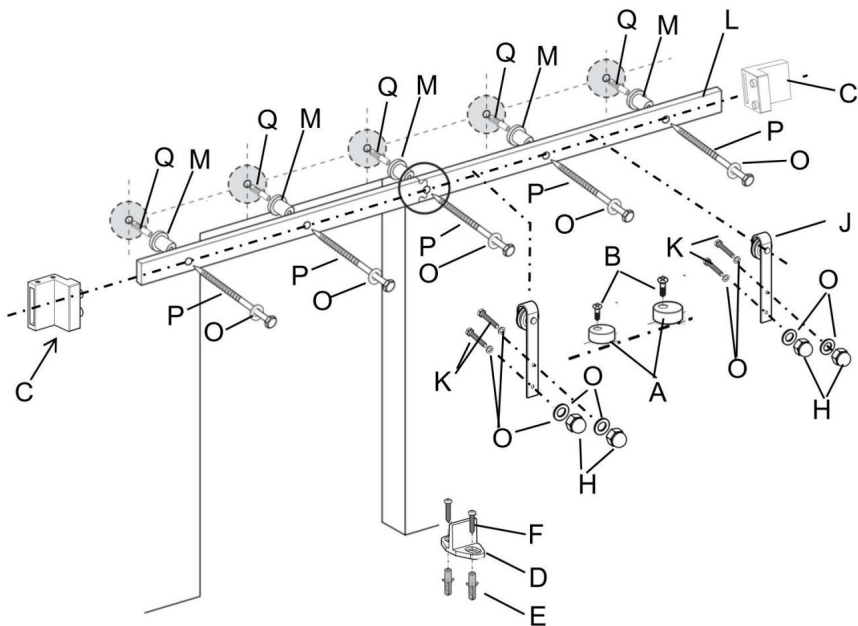
| | | | | | |
|---|---|--|---|---|---|
| 5FT-2D- 5K-H | 2 | 13 | 5 | 5 | 5 |
| 5FT-2D- 5K-Anno | | | | | |
| 6FT-2D- 5K-H | | | | | |
| 6FT-2D- 5K-Anno | | | | | |
| 6,6 piedi-2 Giorno-5K-H | | | | | |
| 6,6 piedi-2 D-5K-Y | | | | | |
| 8 piedi-2D- 6K | 2 | 14 | 6 | 6 | 6 |
| 8 piedi(j)singolo e attraverso | | | | | |
| 8 piedi(l)Canto la porta | | | | | |
| 10 piedi-3D -7K-J | 2 | 15 | 7 | 7 | 7 |
| 10 piedi-3D -7K-I | 0 | | | | |
| Di seguito sono riportati i modelli 8FT-2D-6K, 8ft(j)porta singola, 8ft(l)porta singola Accessori disponibili solo per porta | | | | | |
|  R: M6*10 bullone x 4 pezzi |  S:connessione cinghiax1pz |  T:4mm esagonale x1 pz | | | |

Di seguito sono riportati gli accessori disponibili solo per il modello 10FT-3D-7K-I e 8ft(I)Single Door`



I: Appendiabiti-1x2

Diagramma di decomposizione del modello 6ft-2d-5k-h



Nota: i restanti grafici di decomposizione del modello sono simili

CNOAUZIONE

La movimentazione errata di oggetti pesanti (ad esempio, porte) può causare perdita di equilibrio e gravi lesioni. Assicurarsi sempre di avere una presa salda sull'oggetto e di essere in equilibrio prima di spostarlo. Indossare sempre scarpe antinfortunistiche quando si sollevano oggetti pesanti.











Rimanere incastrati in parti del corpo (ad esempio capelli, dita) in parti in movimento può causare pizzicamento e lesioni gravi. Non mettere le dita in parti che potrebbero muoversi e rimuovere o contenere sempre qualsiasi cosa sul tuo corpo che potrebbe diventare impigliato con una parte mobile.

Chiudere le porte scorrevoli tenendo la mano all'estremità della porta può causare la tua mano o le tue dita, incastrate tra la porta e altri oggetti solidi oggetti (ad esempio, un'altra porta, modanature) che causano gravi lesioni. Utilizzare sempre il maniglia della porta per chiudere la porta

Dichiarazione di utilizzo

L'uso di una forza eccessiva durante l'apertura e la chiusura della/e porta/e può causare danni all'hardware. Tenere sempre la maniglia per spostare delicatamente il da(i).

Strumenti necessari

| | | | |
|---|---|--|---|
|  <p>Quadrato di velocità</p> |  <p>Matita</p> |  <p>Phillips Cacciavite</p> |  <p>Nastro</p> |
|  <p>Chiave</p> |  <p>Livello</p> |  <p>Trapano</p> |  <p>Punta da trapano 3/8"</p> |
|  <p>Punta da trapano 29/64"</p> |  <p>Punta da trapano 7/32"</p> | | |

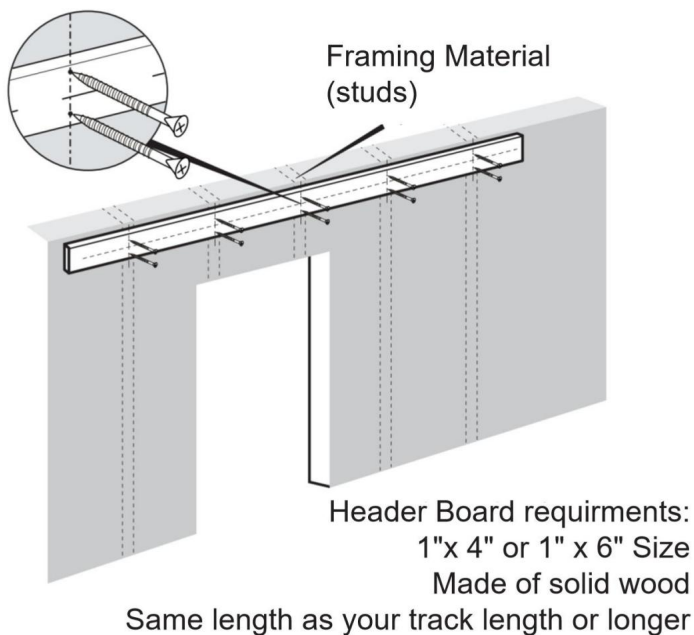
Assemblaggio del prodotto

È molto importante determinare se è necessario installare un'intestazione

Prima di installare la pista, assicella.

SE ti trovi nelle seguenti situazioni, ti consigliamo vivamente di utilizzare un Pannello di testata.

- SE i montanti della parete non sono a 16" al centro, il che non si allinea con il nostro rotaia (la nostra rotaia è dotata di fori preforati ogni 16" al centro)
- SE il tipo di muro non è in cemento, è in cartongesso o un altro tipo di muro (come questo potrebbe non supportare il peso della pista e della porta montata)
- SE è presente una modanatura della porta



Attenzione: la scheda di testata e le viti per installare la scheda di testata non sono inclusi. Puoi acquistarli online o offline.

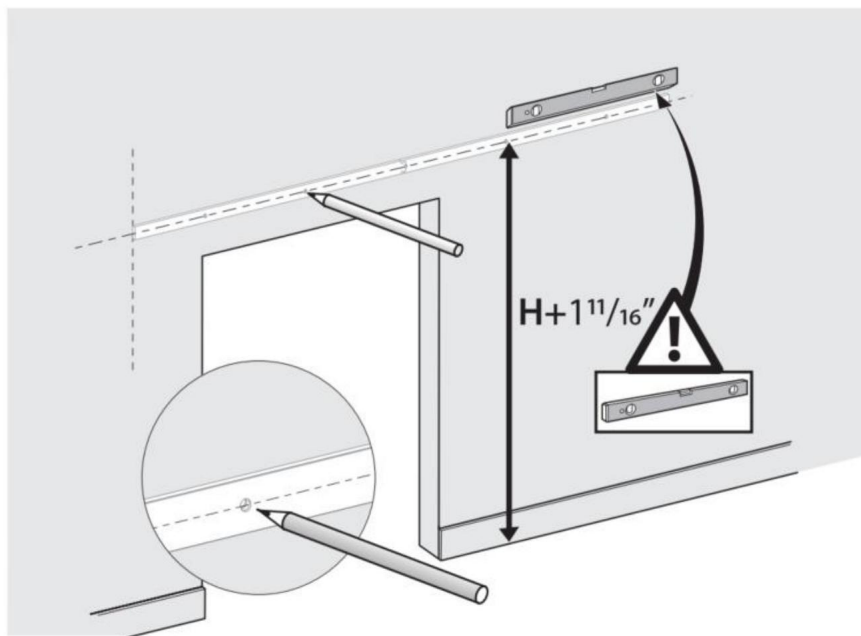
Passo 1

1.1. Utilizzare una livella e un metro a nastro per segnare la linea centrale della pista. Come mostrato nel diagramma di selezione del prodotto, l'altezza della porta è H nel

nell'immagine sopra, l'altezza della linea centrale (misurata dal pavimento) è l'altezza della porta PIÙ 1-11/16".

1.2. Posizionare la pista in posizione lungo la linea centrale contrassegnata, assicurandosi che sia a livello, e utilizzare la pista come modello per contrassegnare la posizione dei fori di montaggio per il traccia con una matita.

Vedere i suggerimenti per l'installazione di seguito.

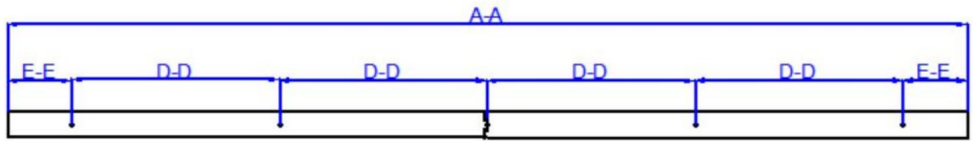


La pista deve coprire completamente le aperture delle porte sui pannelli della parete; suggeriscono che un'estremità della pista sia a filo con l'apertura del muro, e questo è correlato alla larghezza della porta.

SUGGERIMENTO PER L'INSTALLAZIONE:

Per contrassegnare i fori più comodamente, è possibile installare la pista con un'estremità bullone senza distanziale, che aiuta a fissare un'estremità della pista. E poi puoi spostare l'estremità libera per assicurare il livello del binario per contrassegnare i fori di montaggio.

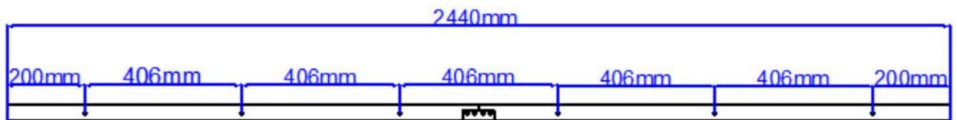
È anche possibile fare riferimento alla dimensione della traccia per contrassegnare la posizione dell'apertura della traccia



| Modello | lunghezza della rotaia AAA | foro ferroviario distanza GG | foro laterale della rotaia e bordo della rotaia E-E | Numero di segnato buchi |
|---------------------------|-------------------------------|------------------------------------|---|-------------------------------|
| 5 piedi-2 giorni-5 km-h | 5 piedi (1500 mm) | 325 mm | 100mm | 5 pezzi |
| 5FT-2D-5K-Y | | | | |
| 6 piedi-2 giorni-5 km-h | 6 piedi (1830 mm) | 406 mm | 103mm | 5 pezzi |
| 6FT-2D-5K-Y | | | | |
| 6,6 piedi-2 giorni-5 km-h | 6,6 piedi (2000 mm) | 406 mm | 188mm | 5 pezzi |
| 6.6FT-2D-5K-Y | | | | |

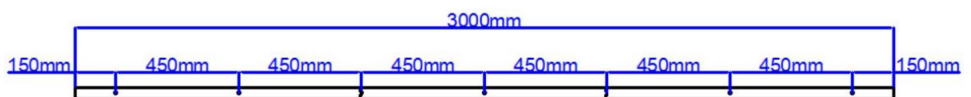
I fori di montaggio della guida del modello 8FT-2D-6K, 8ft(J) porta singola e

Le porte singole da 8 piedi (I) sono le seguenti, sei fori;



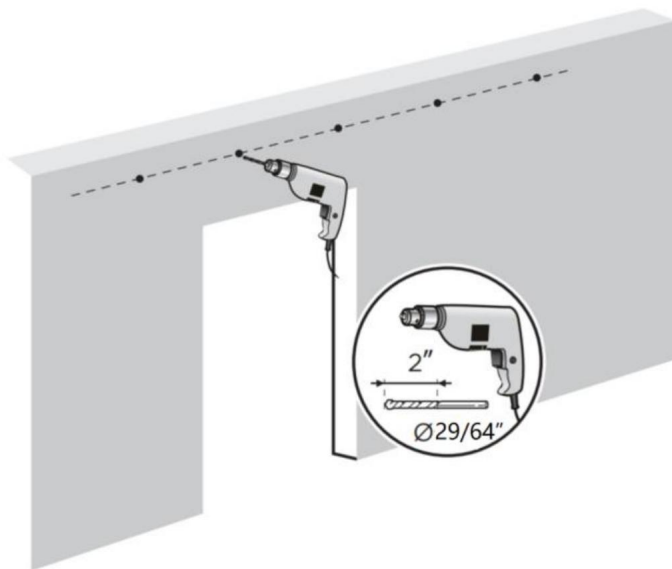
Dimensioni di montaggio su rotaia per i modelli 10FT-3D-7K-J e 10FT-3D-7K-I

sono i seguenti, sette fori;



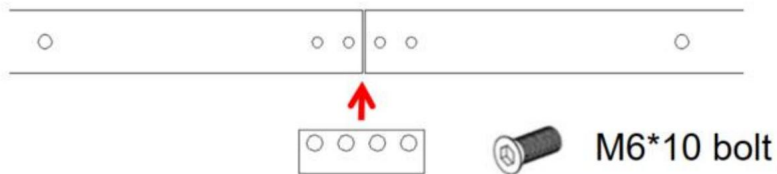
Fase 2:

2.1. Utilizzare un foro da trapano da $\varnothing 29/64''$ nella posizione contrassegnata, profondo 2 pollici;

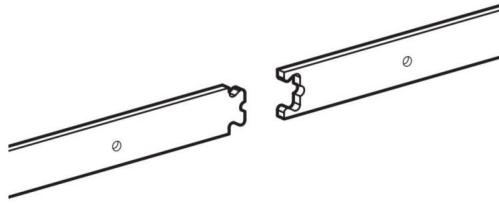


Fase 3: Installare la guida 3.1. Le 2

guide del modello 8FT-2D-6K sono unite da una cinghia di collegamento e 4 bulloni;

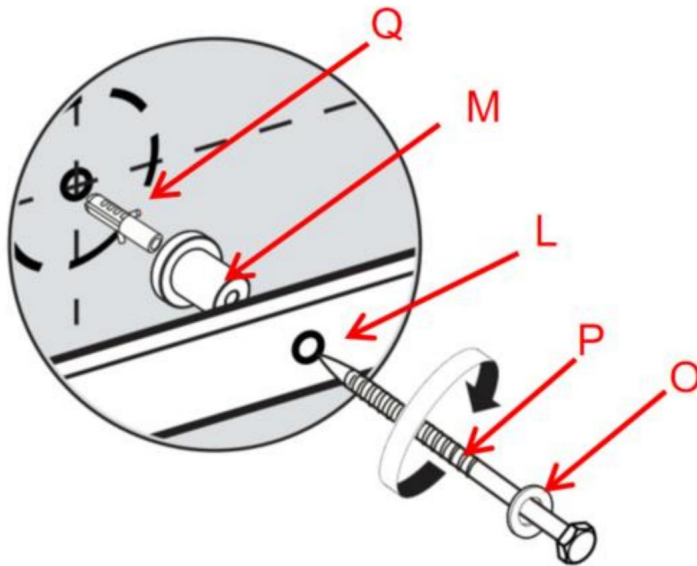


I modelli rimanenti sono combinazioni a forma di fiore tramite rotaia.



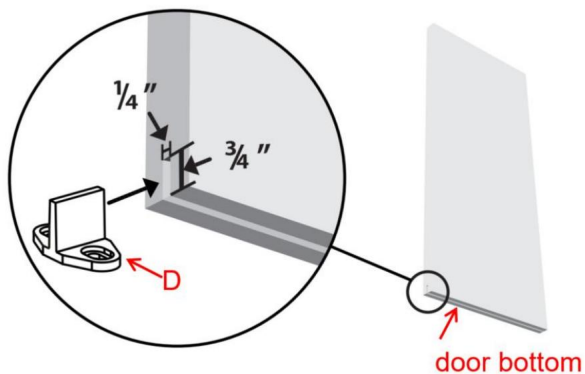
3.2. Installazione del muro in calcestruzzo.

Installare prima il bullone di espansione in plastica Q nei fori sul muro di cemento, quindi utilizzare la vite P attraverso le rondelle O, la guida L e il distanziale da parete M e infine bloccare il bullone di espansione in plastica Q.



Fase 4

Utilizzare una fresatrice verticale o una sega circolare per creare un taglio nella parte inferiore della porta, lungo il centro, per consentire alla punta della guida a pavimento a forma di T di inserirsi al suo interno. La guida a pavimento serve a mantenere stabile la porta e a impedire che la parte inferiore oscilli avanti e indietro quando la si apre e la si chiude.



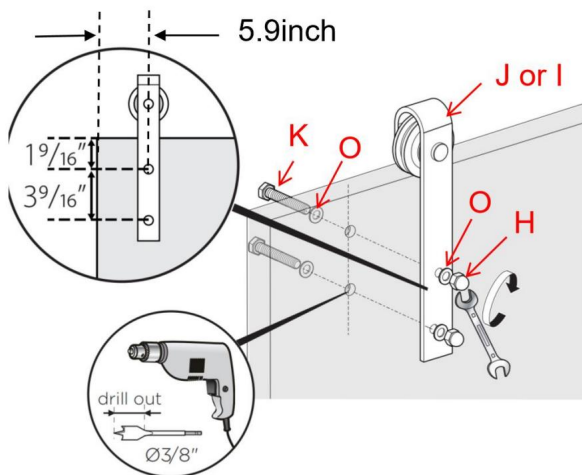
Fase 5

In base alla figura seguente, utilizzare il bullone K per passare attraverso la rondella O, la porta, il gancio J, la rondella O e infine serrare il bullone H con il dado per fissare il gancio J sulla parte superiore della porta; installare i ganci sulla parte superiore della porta, assicurarsi che il bullone K si trovi nella linea centrale del lato superiore della porta.

Ogni gancio richiede due bulloni; sono necessari 2 ganci per ogni porta.

Nota: il gancio per il modello 10FT-3D-7K-I è il gancio I.

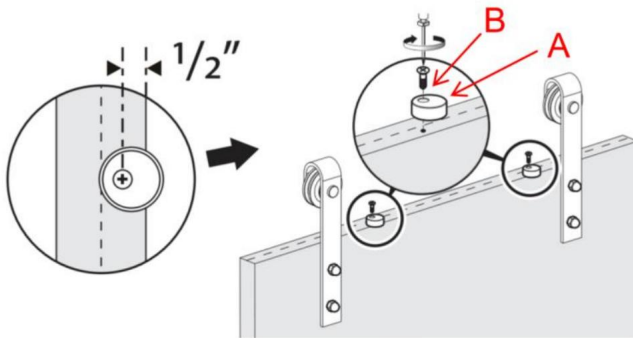
Se lo spessore della porta è di 1-3/4 pollici, non è necessario installare la rondella O.



Fase 6

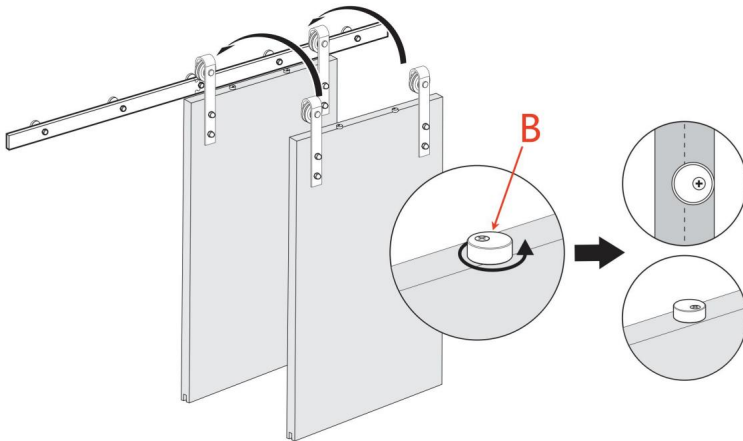
I blocchi anti-salto servono a proteggere la porta dal contatto con la rotaia quando viene fatta scorrere.

Per prima cosa, segnare a 0,5 pollici dal bordo della porta, quindi allineare i fori delle viti del blocco anti-salto A con il segno, utilizzare la vite B attraverso il blocco anti-salto A e bloccare in corrispondenza del segno.



Passo 7

Appendere la porta sopra la pista e ruotare i blocchi anti-salto di 180°



Passo 8

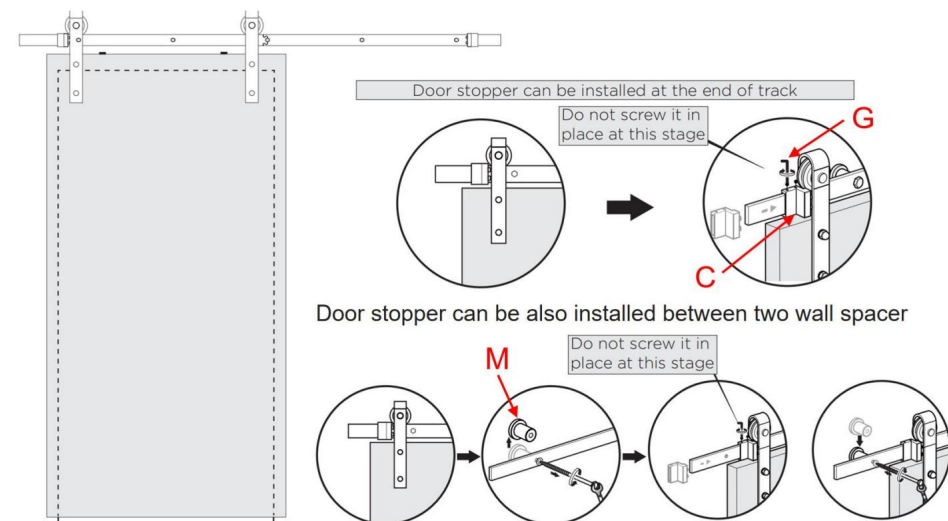
Far scorrere i fermi porta C su entrambe le estremità della guida.

Far scorrere la porta avanti e indietro per verificare quanto bene copre l'apertura.

Riposiziona i fermaporta come preferisci. Regola la posizione di sinistra e fermo porta destro quando la porta è aperta e chiusa. Se si riduce la porta viaggio, i fermi della porta C possono spostarsi verso il centro della rotaia.

Quando il fermo porta C è bloccato dal distanziatore da parete M e non riesce a muoversi, è possibile rimuovere il distanziatore da parete M, spostarlo nella posizione appropriata e quindi rimontare i fermi porta M nella posizione originale.

Il fermaporta può essere installato anche tra due distanziatori a parete



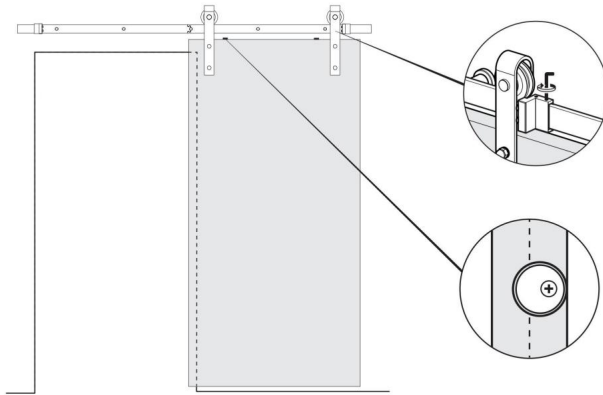
Passo 9

Controllo finale dei fermaporta e dei blocchi anti-salto.

Controllare che i fermi delle porte siano posizionati correttamente e serrati in posizione dal

Chiave esagonale G.

Controllare inoltre che i blocchi anti-salto siano ruotati correttamente e serrati.

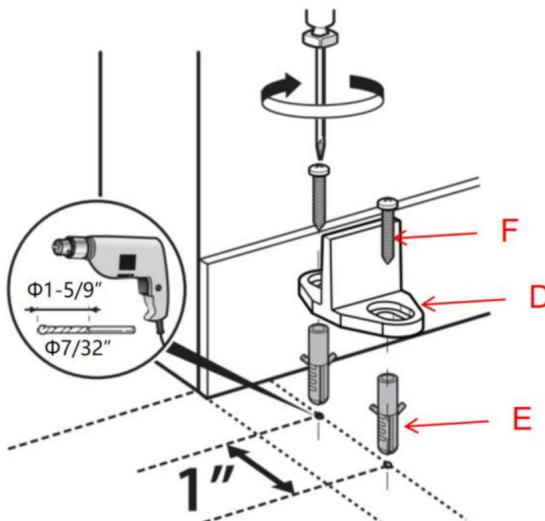


Fase 10

Installare la guida a pavimento D.

10.1. Posizionare prima la guida a pavimento sul pavimento in una posizione adatta, facendo scorrere la porta in modo che la punta della guida a pavimento possa funzionare bene nella fessura della parte inferiore della porta. Quindi segnare 2 fori della guida a pavimento. Quindi due fori per viti attraverso la guida a pavimento segnano due punti sul pavimento.

10.2. Utilizzare una punta da trapano da $\gamma 7/32''$ per praticare dei fori con una profondità di 1,375 pollici sul segno sul pavimento; quindi inserire il bullone di espansione in plastica E nel foro sul pavimento; la vite F passa attraverso il foro della guida sul pavimento D e viene installata nel bullone di espansione in plastica E per completare l'installazione della guida sul pavimento D.



Produttore: Shanghaimuxinmuyeyouxiangongsi **Indirizzo:**

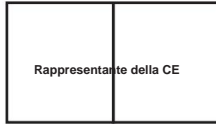
Shuangchenglu 803nong11hao1602A-1609shi, baoshanqu, shanghai 200000 CN.

Importato in AUS: SIHAO PTY LTD. 1 ROKEVA STREETEASTWOOD NSW 2122
Australia

Importato negli USA: Sanven Technology Ltd. Suite 250, 9166 Anaheim Place,
Rancho Cucamonga, CA 91730



YH CONSULTING LIMITED. C/O YH Consulting Limited
Ufficio 147, Centurion House, London Road, Staines-
upon-Thames, Surrey, TW18 4AX



E-CrossStu GmbH
Mainzer Landstr.69,
60329 Francoforte sul Meno.

VEVOR[®]

TOUGH TOOLS, HALF PRICE

Supporto tecnico e certificato di garanzia
elettronica www.vevor.com/support

VEVOR[®]

TOUGH TOOLS, HALF PRICE

Soporte técnico y certificado de garantía electrónica www.vevor.com/support

KIT DE HERRAJES PARA PUERTAS CORREDIZAS DE GRANERO SIMPLES

MODELO: 5 PIES-2D-5K-H/5 PIES-2D-5K-Y/6 PIES-2D-5K-H/
6 PIES-2D-5K-Y/6,6 PIES-2D-5K-H/6,6 PIES-2D-5K-Y/
8FT-2D-6K/8FT(J)Puerta simple/8FT(I)Puerta simple/
10 PIES-3D-7K-J/10 PIES-3D-7K-I

Seguimos comprometidos a brindarle herramientas a precios competitivos.

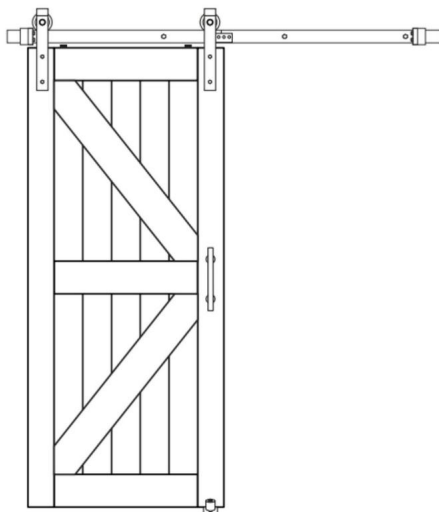
"Ahorre la mitad", "mitad de precio" o cualquier otra expresión similar que utilizemos solo representa una estimación del ahorro que podría obtener al comprar ciertas herramientas con nosotros en comparación con las principales marcas y no necesariamente significa que cubra todas las categorías de herramientas que ofrecemos. Le recordamos que, al realizar un pedido con nosotros, verifique cuidadosamente si realmente está ahorrando la mitad en comparación con las principales marcas.

VEVOR[®]

TOUGH TOOLS, HALF PRICE

Registro de piso

MODELO: 5 PIES-2D-5K-H/5 PIES-2D-5K-Y/6 PIES-2D-5K-H/6 PIES-2D-5K-Y/
6,6 PIES-2D-5K-H/6,6 PIES-2D-5K-Y/8 PIES-2D-6K/8 PIES(J)Puerta simple/8
PIES(I)Puerta simple/10 PIES-3D-7K-J/10 PIES-3D-7K-I



¿NECESITAS AYUDA? ¡CONTÁCTANOS!

¿Tiene preguntas sobre el producto? ¿Necesita asistencia técnica? No dude en ponerse en contacto con

nosotros: Asistencia técnica y certificado de garantía electrónica

www.vevor.com/support

Estas son las instrucciones originales, lea atentamente todas las instrucciones del manual antes de utilizar el producto. VEVOR se reserva una interpretación clara de nuestro manual de usuario. La apariencia del producto estará sujeta al producto que recibió. Perdónenos por no informarle nuevamente si hay actualizaciones de tecnología o software en nuestro producto.

INSTRUCCIONES DE SEGURIDAD

ADVERTENCIA:

Lea este material antes de utilizar este producto. El no hacerlo puede provocar lesión grave

Precauciones de montaje

1. Realice el montaje únicamente de acuerdo con estas instrucciones. Un montaje incorrecto puede crear peligros
2. Use gafas de seguridad aprobadas por ANSI y guantes de trabajo resistentes durante asamblea.
3. Mantenga el área de reunión limpia y bien iluminada.
4. Mantenga a los transeúntes fuera del área durante el montaje.
5. No realizar el montaje cuando se encuentre cansado o bajo la influencia de alcohol, drogas o medicamentos.
6. Las capacidades del producto se aplican a productos ensamblados de manera correcta y completa. solo.
7. Para obtener información adicional sobre las piezas enumeradas a continuación, páginas, consulte el diagrama de ensamblaje de este manual. Desenvuelva y Separe todas las piezas en un área de trabajo limpia.
8. Por razones de seguridad, se recomienda que este hardware sea instalado por 2 gente
9. Los productos se instalan lejos de los niños y las mascotas;

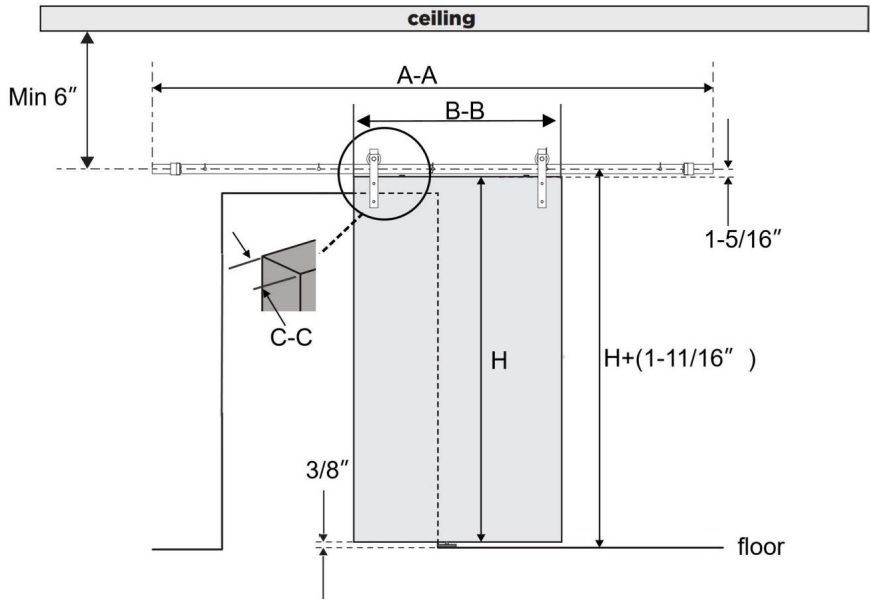
Tome precauciones

1. Este producto no es un juguete. No permita que los niños jueguen con él.
2. Utilícelo únicamente según lo previsto.
3. Inspeccione antes de cada uso; no utilice si las piezas están sueltas o dañadas.

GUARDE ESTAS INSTRUCCIONES

Adecuación del producto

La caja no contiene paneles de puerta ni otros cuadrados de madera, que requiere compra adicional



| Modelo | longitud del riel <small>ANCHO DEL RIEL</small> | Ancho de la puerta <small>CAMA Y DESAYUNO</small> | Espesor de la puerta C.C. |
|--|--|--|------------------------------|
| 5 pies, 2 pulgadas, 5 pies, alto | 5 pies (1500 mm) | ≤30 pulgadas | 1-3/8" a 1-3/4" |
| 5 pies, 2 pulgadas, 5 kilómetros, Y | | | |
| 6 pies, 2 pulgadas, 5 pies, alto | 6 pies (1830 mm) | ≤36 pulgadas | 1-3/8" a 1-3/4" |
| 6 pies, 2 pulgadas, 5 kilómetros, Y | | | |
| 6.6 pies, 2 pulgadas, 5 pies, alto | 6,6 pies (2000 mm) | 36-40 pulgadas | 1-3/8" a 1-3/4" |
| 6.6 pies, 2 dormitorios, 5 kilómetros, color verde | | | |
| 8 pies, 2 pulgadas, 6 pulgadas | 8 pies (2440 mm) | 42-48 pulgadas | 1-3/8" a 1-3/4" |
| Puerta simple de 8 pies (j) | | | |
| Puerta simple de 8 pies (l) | | | |
| 10 pies, 3 dimensiones, 7 kilómetros, J | 10 pies (3000 mm) | ≤60 pulgadas | 1-3/8" a 1-3/4" |
| 10FT-3D-7K-I | | | |

Las dimensiones restantes:

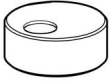

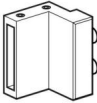


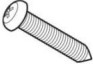



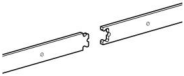
1. El producto es aplicable a la puerta corrediza simple, la altura de la puerta es H dependiendo de la altura que compres;
2. La altura del centro de la pista hasta el suelo debe ser 1,6875 pulgadas más alta. que la altura de la puerta;
3. La distancia del centro de la pista desde el techo no es inferior a 6 pulgadas;
4. La distancia entre el lado inferior y el lado inferior es 0,375 pulgadas

Lista de parámetros






| Modelo | Producto color | percha tipo | División de órbita número | Número de carril agujeros de montaje |
|---|----------------|---------------------|---------------------------|--------------------------------------|
| 5 pies, 2 pulgadas, 5 pies, alto | negro | Molde en forma de J | 2 piezas | 5 piezas |
| 5FT-2D-5K-Y Plata oscura | | | | |
| 6 pies, 2 pulgadas, 5 pies, alto | negro | | | |
| 6FT-2D-5K-Y Plata oscura | | | | |
| 6.6 pies, 2 pulgadas, 5 pies, alto | negro | | | |
| 6.6FT-2D-5K-Y Plata oscura | | | | |
| Molde en J de plata oscura 8FT-2D-6K | | | | |
| 8 pies (j) individual puerta | negro | Molde en forma de J | 2 piezas | 6 piezas |
| 8 pies (l) individual puerta | negro | Yo moldeo | | |
| 10 pies, 3 dimensiones, 7 kilómetros, J | negro | Molde en forma de J | 3 piezas | 7 piezas |
| 10FT-3D-7K-l | | Yo moldeo | | |


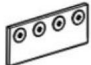

Lista de piezas

Mismo número de piezas

| | | | |
|--|---|--|---|
|  <p>A: Bloque anti-salto × 2 piezas</p> |  <p>B:M4×25 cabeza avellanada Tornillo de rosca × 2 piezas</p> |  <p>C:Por Tapón × 2 piezas</p> |  <p>Forma D:T Guía de suelos × 1 pieza</p> |
|  <p>E:φ6×30 Perno de expansión de plástico × 2 piezas</p> |  <p>F:M4×25 redondo Tornillo de cabeza roscada ×2 piezas</p> |  <p>G: 2,5 mm hexagonal Llave × 1 pieza</p> |  <p>H:Muro Espaciador×4</p> |
|  <p>K: Perno M10×55×4</p> |  <p>L: Kit de riel × 1 pieza</p> | | |

Piezas con diferentes cantidades

| | | | | | |
|---------------|---|--|--|---|---|
| <p>Modelo</p> |  <p>J:Percha-J</p> |  <p>O:arandelas</p> |  <p>P:M8× 90 Tornillo</p> |  <p>Q:φ12×50 Plástico perno de expansión</p> |  <p>M:Muro Espaciador</p> |
|---------------|---|--|--|---|---|

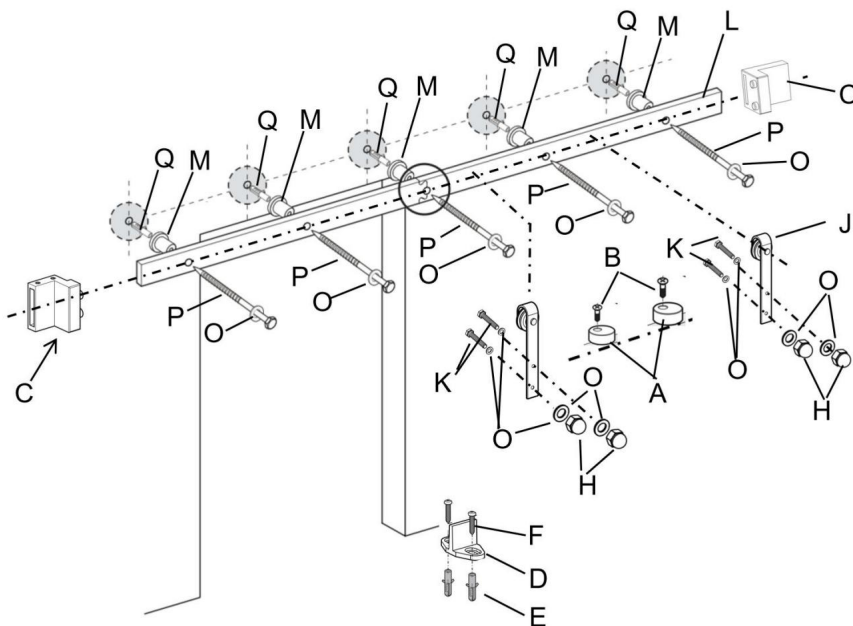
| | | | | | |
|--|---|--|---|---|---|
| 5 pies-2D- 5K-H | 2 | 13 | 5 | 5 | 5 |
| 5 pies-2D- 5K-Año | | | | | |
| 6 pies-2D- 5K-H | | | | | |
| 6 pies-2D- 5K-Año | | | | | |
| 6,6 pies 2 pulgadas D-5K-H | | | | | |
| 6,6 pies 2 pulgadas D-5K-Y | | | | | |
| 8 pies-2D- 6K | 2 | 14 | 6 | 6 | 6 |
| 8 pies (j) individual y a través de | | | | | |
| 8 pies (l) Cantar La puerta | 0 | | | | |
| 10 pies-3D -7K-J | 2 | 15 | 7 | 7 | 7 |
| 10 pies-3D -7K-Yo | 0 | | | | |
| Los siguientes son el modelo 8FT-2D-6K, 8 pies (j) de puerta simple, 8 pies (l) de puerta simple. Accesorios disponibles solo para puerta | | | | | |
|  R: Perno M6*10 × 4 piezas |  S:conexión Correa × 1 pieza |  T: 4 mm hexagonal × 1 pieza | | | |

Los siguientes son los accesorios disponibles únicamente para los modelos 10FT-3D-7K-I y 8ft(I) de puerta única.



I:Percha-Ix2

Diagrama de descomposición del modelo 6ft-2d-5k-h



Nota: Los gráficos de descomposición del modelo restantes son similares.

CNOAUCIÓN

El manejo inadecuado de objetos pesados (por ejemplo, puertas) puede provocar la pérdida del equilibrio y lesiones graves. Asegúrese siempre de sujetar el objeto de forma segura y de mantener el equilibrio antes de moverlo. Utilice siempre calzado de seguridad al levantar objetos pesados.











Quedar partes del cuerpo (es decir, cabello, dedos) atrapadas en piezas móviles puede causar pellizcos y lesiones graves. No coloque los dedos en piezas que puedan moverse y Retire siempre o contenga cualquier cosa en su cuerpo que pueda volverse enredado con una parte móvil.

Cerrar puertas corredizas con la mano en el extremo de la puerta puede provocar Su mano o sus dedos pueden quedar atrapados entre la puerta y otros objetos sólidos. objetos (por ejemplo, otra puerta, molduras) que provoquen lesiones graves. Utilice siempre el manija de la puerta para cerrar la puerta

Declaración de uso

El uso de fuerza excesiva al abrir y cerrar la(s) puerta(s) puede provocar Daños en el hardware. Sujete siempre el mango para mover suavemente el por(s).

Herramientas necesarias

| | | | |
|---|---|---|---|
|  Cuadrado de velocidad |  Lápiz |  Phillips Destornillador |  Cinta |
|  Llave inglesa |  Nivel |  Perforar |  Broca de $\Phi 3/8''$ |
|  Broca de $\Phi 29/64''$ |  Broca de $\Phi 7/32''$ | | |

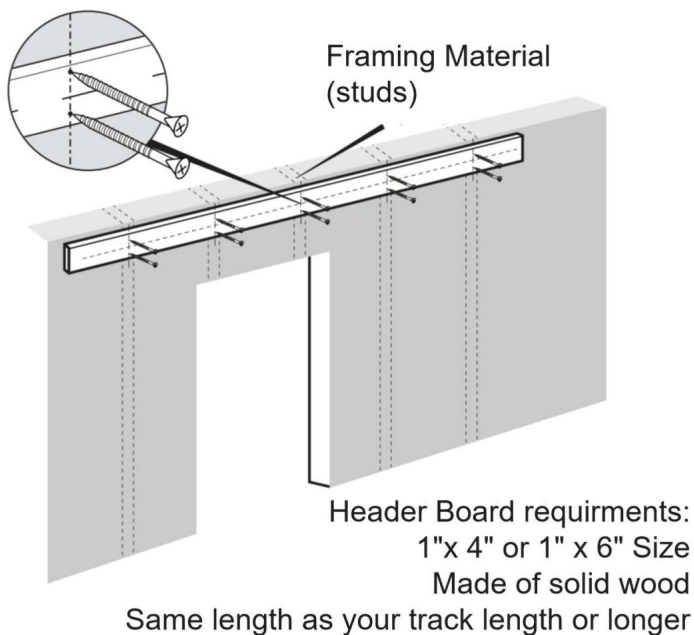
Ensamblaje de productos

Es muy importante determinar si es necesario instalar un encabezado

Tablero antes de instalar la pista.

Si se encuentra en las siguientes situaciones, le recomendamos encarecidamente que utilice un Tablero de cabecera.

- Si los montantes de la pared no están a 16" de distancia entre sí, lo que no se alineará con nuestro Riel (nuestro riel viene con orificios pretaladrados cada 16" en el centro)
- Si el tipo de pared no es de concreto, es de yeso u otro tipo de pared (como este puede que no soporte el peso del riel y la puerta montada)
- Si hay una moldura en la puerta



Atención: La placa de cabecera y los tornillos para instalar la placa de cabecera no están incluidos.

Incluido. Puedes comprarlos online o offline.

Paso 1

1.1. Utilice un nivel y una cinta métrica para marcar la línea central de la pista.

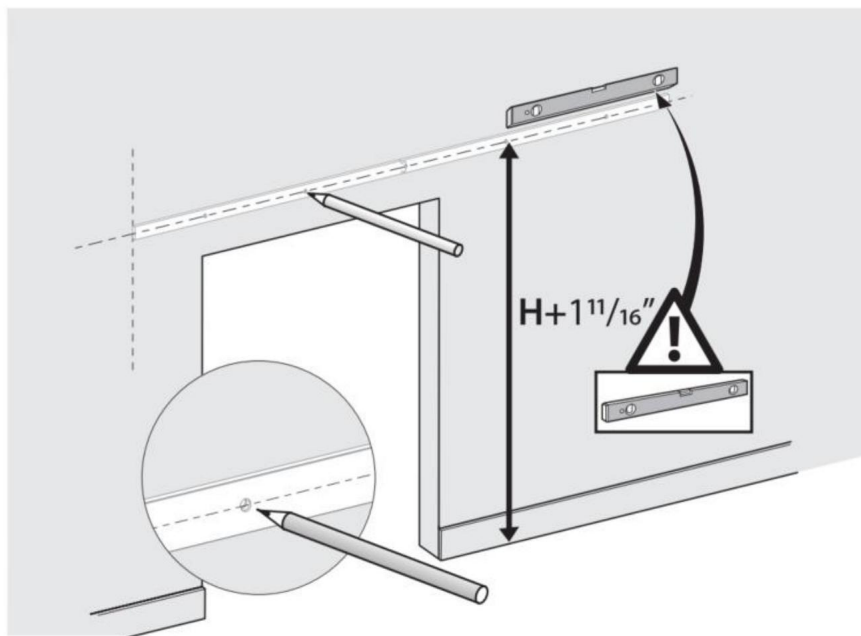
Como se muestra en el diagrama de selección de productos, la altura de la puerta es H en el

En la imagen de arriba, la altura de la línea central (medida desde el piso) es la altura de su puerta MÁS 1-11/16".

1.2. Coloque el riel en su lugar junto a la línea central marcada, asegurándose de que esté nivelado, y use el riel como plantilla para marcar la ubicación de los orificios de montaje.

Pista con un lápiz.

Vea el consejo de instalación a continuación.



La pista debe cubrir completamente las aberturas de las puertas en los paneles de la pared;

Sugiera que un extremo de la pista esté al ras de la abertura de la pared, y

Esto está relacionado con el ancho de la puerta.

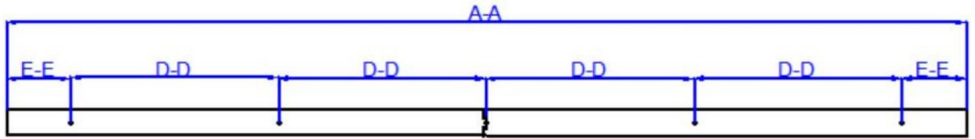
CONSEJO DE INSTALACIÓN:

Para marcar los agujeros de forma más cómoda, puedes instalar el riel con un extremo

perno sin espaciador, que ayuda a fijar un extremo de la pista. Y luego puedes

Mueva el extremo libre para asegurar que la pista esté nivelada para marcar los orificios de montaje.

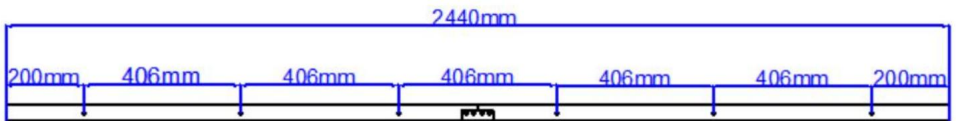
También puede consultar el tamaño de la pista para marcar la posición de la apertura de la pista.



| Modelo | longitud del riel <small>Autonomo con trapezo</small> | agujero del carril distancia DD | agujero lateral del riel y el borde del carril YY | Número de marcado agujeros |
|--|--|---------------------------------------|---|----------------------------------|
| 5 pies, 2 pulgadas, 5 pies, alto | 5 pies (1500 mm) 325 mm | | 100 mm | 5 piezas |
| 5 pies, 2 pulgadas, 5 kilómetros, Y | | | | |
| 6 pies, 2 pulgadas, 5 pies, alto | 6 pies (1830 mm) 406 mm | | 103 mm | 5 piezas |
| 6 pies, 2 pulgadas, 5 kilómetros, Y | | | | |
| 6.6 pies, 2 pulgadas, 5 pies, alto | 6.6 pies (2000 mm) 406 mm | | 188 mm | 5 piezas |
| 6.6 pies, 2 dormitorios, 5 kilómetros, color verde | | | | |

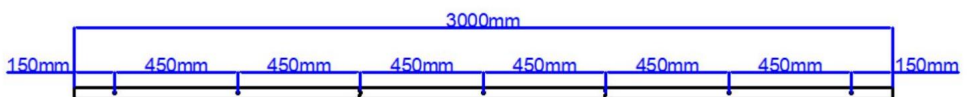
Los orificios de montaje del riel del modelo 8FT-2D-6K, 8ft(J) de puerta simple y

La puerta simple de 8 pies (I) es la siguiente, seis orificios;



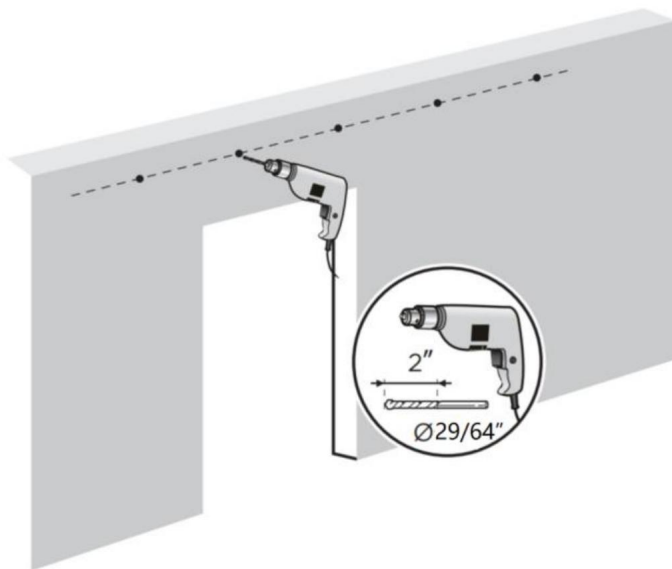
Dimensiones de montaje en riel para los modelos 10FT-3D-7K-J y 10FT-3D-7K-I

Son los siguientes, siete agujeros;



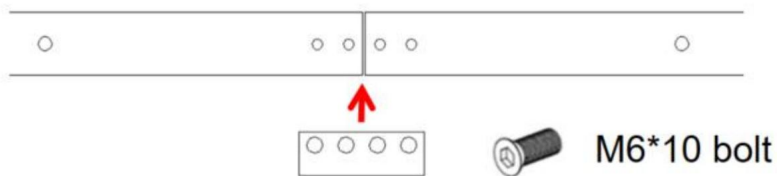
Paso 2:

2.1. Utilice un orificio de $\Phi 29/64"$ en la posición marcada, de 2 pulgadas de profundidad;

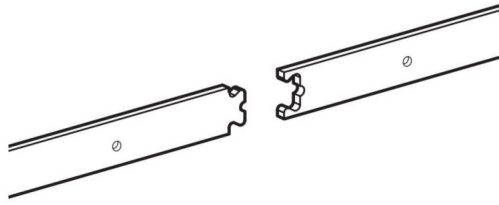


Paso 3: Instale el riel guía 3.1. Las

2 guías del modelo 8FT-2D-6K se combinan mediante una correa de conexión y 4 pernos;

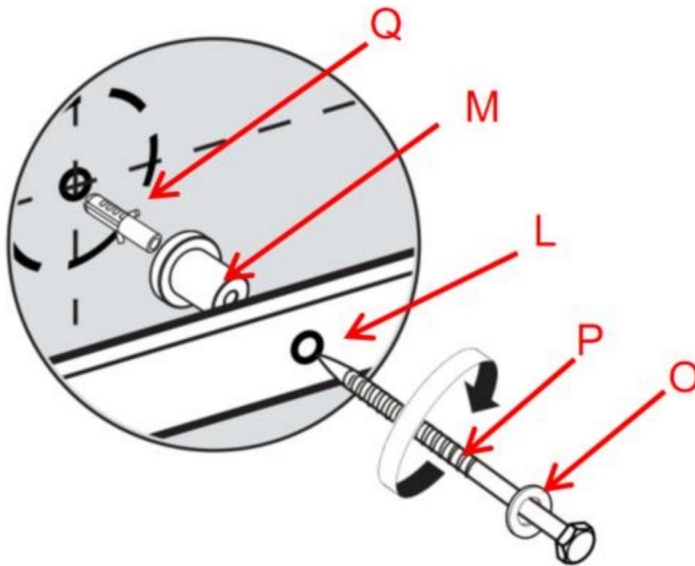


El resto de modelos son combinaciones en forma de flor a través del carril.



3.2. Instalación de muro de hormigón.

Primero instale el perno de expansión de plástico Q en los orificios de la pared de concreto. Luego use el tornillo P a través de las arandelas O, el riel L y el espaciador de pared M, y finalmente bloquee el perno de expansión de plástico Q.



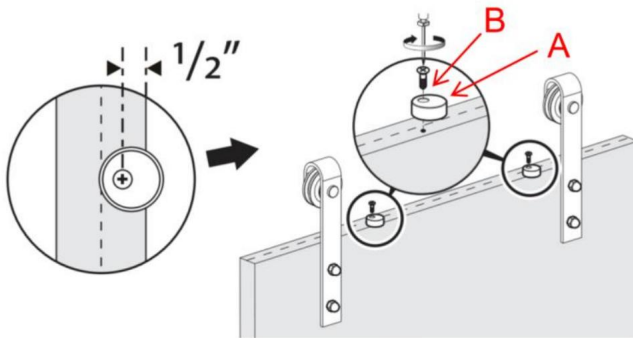
Paso 4:

Use una fresadora o una sierra circular para crear una ranura en la parte inferior de la puerta, a lo largo del centro, para permitir que la punta de la guía de piso en forma de T encaje en el medio. La guía del piso se utiliza para mantener la puerta estable y evitar que la parte inferior de la puerta se balancee hacia adelante y hacia atrás cuando la desliza para abrirla y cerrarla.

Paso 6

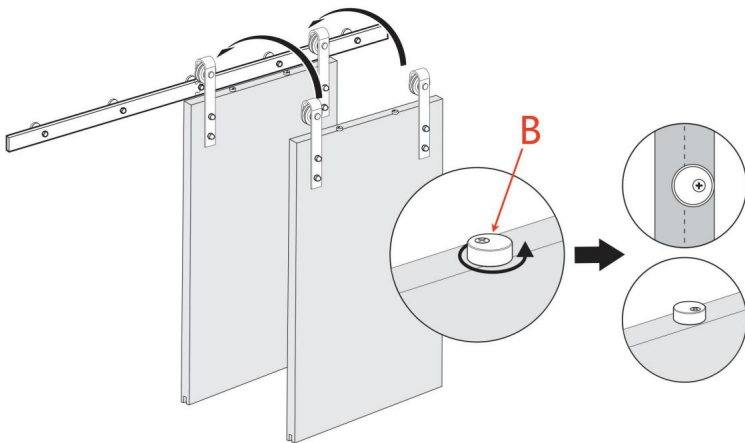
Los bloques anti-salto se utilizan para proteger la puerta de tocar el riel al deslizarla.

Primero, marque a 0,5 pulgadas del borde de la puerta, luego deje que los orificios de los tornillos del bloque antisalto A se alineen con la marca, use el tornillo B a través del bloque antisalto A y bloquéelo en la marca.



Paso 7

Cuelga la puerta sobre el riel y gira los bloques antisaltos 180°



Paso 8

Topes de puerta corredizas C en ambos extremos del riel.

Deslice la puerta hacia atrás y hacia adelante para probar qué tan bien cubre la abertura.

Reposicione los topes de la puerta según sea necesario. Ajuste la posición de los topes izquierdo y derecho.

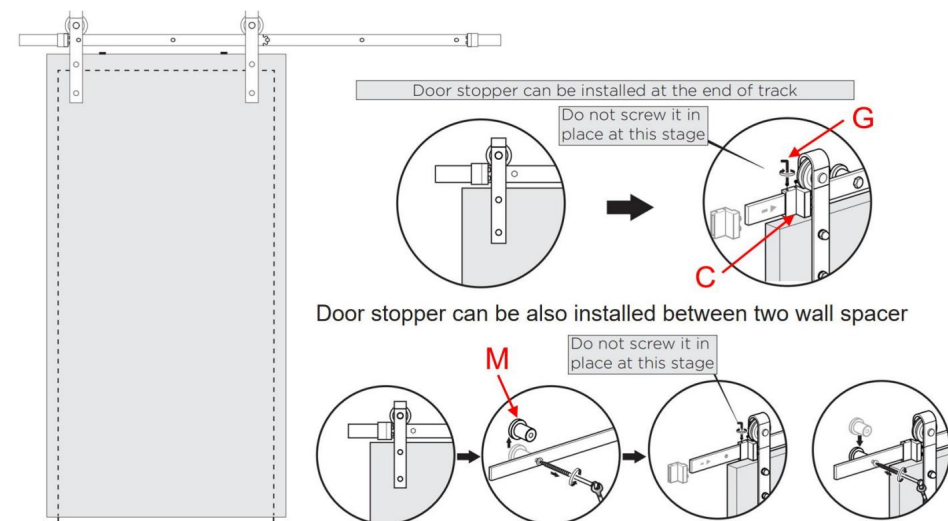
tope de puerta derecho cuando la puerta está abierta y cerrada. Si reduce la puerta

viaje, los topes de la puerta C pueden moverse hacia el centro del riel.

Cuando los topes de puerta C están bloqueados por el espaciador de pared M y no se pueden mover, puede quitar el espaciador de pared M, moverlo a la posición adecuada y luego

instale los topes de puerta M nuevamente en la posición original.

El tope de puerta también se puede instalar entre dos espaciadores de pared.



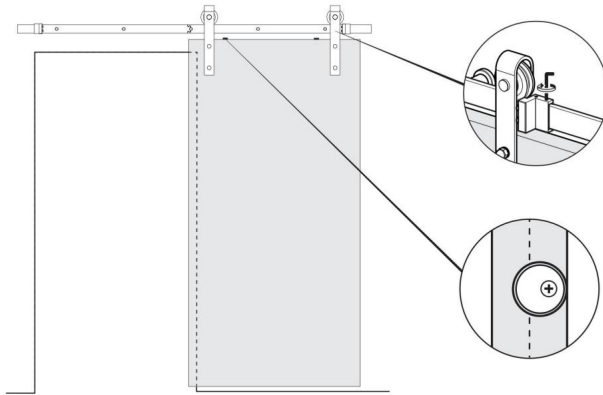
Paso 9

Comprobación final de topes de puertas y tacos antisaltos.

Compruebe que los topes de la puerta estén correctamente colocados y apretados en su lugar.

Llave hexagonal G.

Compruebe también que los bloques antisalto estén girados correctamente y apretados.

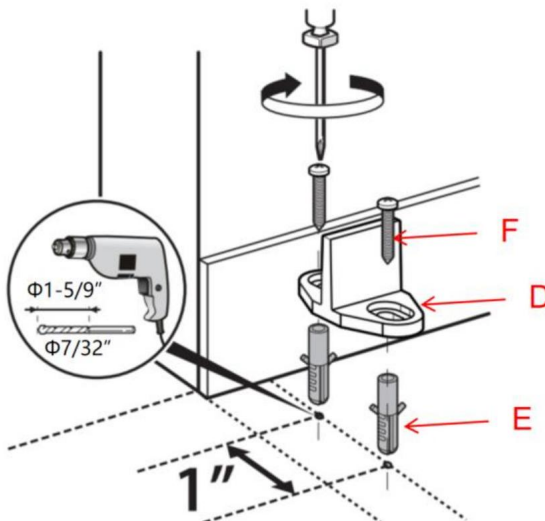


Paso 10

Instale la guía de piso D.

10.1. Coloque primero la guía de piso en el piso hasta una posición adecuada, deslizando la puerta de modo que la punta de la guía de piso pueda encajar bien en la ranura de la parte inferior de la puerta. A continuación, marque 2 orificios en la guía de piso. A continuación, haga dos orificios para tornillos a través de la guía de piso y marque dos puntos en el piso.

10.2. Utilice una broca de $\Phi 7/32''$ para perforar agujeros con una profundidad de 1,375 pulgadas en la marca del piso; luego coloque el perno de expansión de plástico E en el orificio del piso; el tornillo F pasa a través del orificio del tornillo de la guía del piso D y se instala en el perno de expansión de plástico E para completar la instalación de la guía del piso D.



Fabricante: Shanghaimuxinmuyeyouxiangongsi Dirección:
Shuangchenglu 803nong11hao1602A-1609shi, baoshanqu, shanghai 200000 CN.

Importado a AUS: SIHAO PTY LTD. 1 ROKEVA STREETEASTWOOD NSW 2122
Australia

Importado a EE. UU.: Sanven Technology Ltd. Suite 250, 9166 Anaheim Place, Rancho
Cucamonga, CA 91730



YH CONSULTING LIMITED. A LA DIRECCIÓN DE YH
Consulting Limited Oficina 147, Centurion House, London
Road, Staines-upon-Thames, Surrey, TW18 4AX



E-CrossStu GmbH
Mainzer Landstr.69,
60329 Fráncfort del Meno.

VEVOR[®]

TOUGH TOOLS, HALF PRICE

Soporte técnico y certificado de garantía
electrónica www.vevor.com/support

VEVOR®

TOUGH TOOLS, HALF PRICE

Wsparcie techniczne i certyfikat gwarancji elektronicznej www.vevor.com/support

ZESTAW OKUĆ DO PROSTYCH PRZESUWNYCH DRZWI STODOŁY

MODEL: 5FT-2D-5K-H/5FT-2D-5K-Y/6FT-2D-5K-H/

6FT-2D-5K-Y/6,6FT-2D-5K-H/6,6FT-2D-5K-Y/

8FT-2D-6K/8FT(J)Pojedyncze drzwi/8FT(I)Pojedyncze drzwi/

10FT-3D-7K-J/10FT-3D-7K-I

Nadal staramy się oferować Państwu narzędzia w konkurencyjnych cenach.

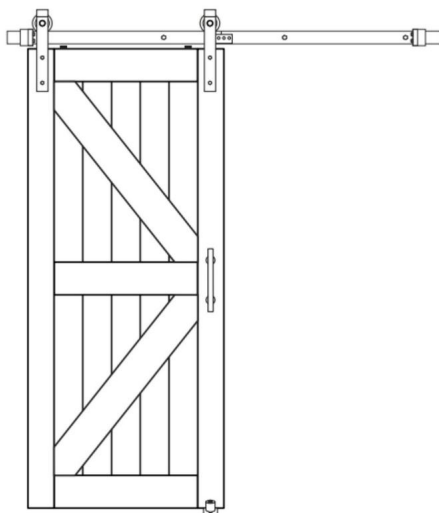
„Oszczędzaj połowę”, „Połowa ceny” lub inne podobne wyrażenia używane przez nas stanowią jedynie szacunkowe oszczędności, jakie możesz uzyskać, kupując u nas określone narzędzia w porównaniu z głównymi markami i niekoniecznie oznaczają one objęcie wszystkich kategorii oferowanych przez nas narzędzi. Uprzejmie przypominamy, aby przy składaniu zamówienia dokładnie sprawdzić, czy faktycznie oszczędzasz połowę w porównaniu z głównymi markami.

VEVOR[®]

TOUGH TOOLS, HALF PRICE

Rejestr podłogowy

MODEL:5FT-2D-5K-H/5FT-2D-5K-Y/6FT-2D-5K-H/6FT-2D-5K-Y/
6,6FT-2D-5K-H/6,6FT-2D-5K-Y/8FT-2D-6K/8FT(J)Drzwi pojedyncze/
8FT(I)Drzwi pojedyncze/10FT-3D-7K-J/10FT-3D-7K-I



POTRZEBUJESZ POMOCY? SKONTAKTUJ SIĘ Z NAMI!

Masz pytania dotyczące produktu? Potrzebujesz wsparcia technicznego? Skontaktuj się z nami:
Wsparcie

techniczne i certyfikat E-Gwarancji www.vevor.com/support

To jest oryginalna instrukcja, przed użyciem należy uważnie przeczytać wszystkie instrukcje. VEVOR zastrzega sobie jasną interpretację naszej instrukcji obsługi. Wygląd produktu będzie zależał od produktu, który otrzymałeś. Prosimy o wybaczenie, że nie poinformujemy Cię ponownie, jeśli w naszym produkcie pojawią się jakiegokolwiek aktualizacje technologiczne lub oprogramowania

INSTRUKCJE BEZPIECZEŃSTWA

OSTRZEŻENIE:

Przeczytaj ten materiał przed użyciem tego produktu. Nieprzestrzeganie tego może skutkować poważny uraz.

Środki ostrożności podczas montażu

1. Montaż należy wykonywać wyłącznie zgodnie z niniejszą instrukcją. Nieprawidłowy montaż może stwarzać zagrożenia.
2. Podczas pracy należy nosić okulary ochronne i wytrzymałe rękawice robocze zgodne z normą ANSI. montaż.
3. Utrzymuj miejsce zgromadzenia w czystości i zapewnij dobre oświetlenie.
4. Nie dopuść, aby osoby postronne przebywały w pobliżu podczas montażu.
5. Nie przychodź na spotkania, jeśli jesteś zmęczony lub pod wpływem alkoholu, narkotyków lub leków.
6. Możliwości produktu odnoszą się do produktu prawidłowo i całkowicie zmontowanego tylko.
7. Aby uzyskać dodatkowe informacje dotyczące części wymienionych poniżej, strony, zapoznaj się ze schematem montażu w tym podręczniku. Rozpakuj i oddzielić wszystkie części w czystym miejscu pracy.
8. Ze względów bezpieczeństwa zaleca się, aby ten sprzęt był instalowany przez 2 osoby. ludzie
9. Produkty należy instalować w miejscu niedostępnym dla dzieci i zwierząt domowych;

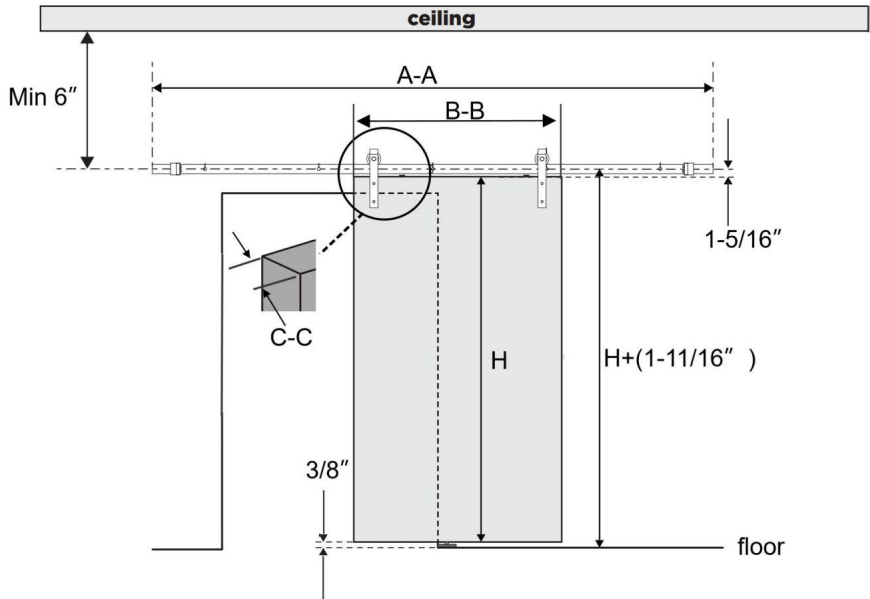
Stosuj środki ostrożności

1. Ten produkt nie jest zabawką. Nie pozwalaj dzieciom bawić się tym przedmiotem.
2. Używać wyłącznie zgodnie z przeznaczeniem.
3. Przed każdym użyciem sprawdź produkt; nie używaj go, jeśli jakieś części są luźne lub uszkodzone.

ZAPISZ TE INSTRUKCJE

Przydatność produktu

W pudełku nie ma paneli drzwiowych i innych drewnianych kwadratów, które wymagać dodatkowego zakupu



| Model | długość szyny AA | Szerokość drzwi <small>nothing on installation</small> | Grubość drzwi DK |
|-------------------------|---------------------|---|---------------------|
| 5FT-2D-5K-H | 5 stóp (1500 mm) | 30 cali | 1-3/8" do 1-3/4" |
| 5FT-2D-5K-Y | | | |
| 6FT-2D-5K-H | 6 stóp (1830 mm) | 36 cali | 1-3/8" do 1-3/4" |
| 6FT-2D-5K-Y | | | |
| 6,6FT-2D-5K-H | 6,6 stopy (2000 mm) | 36-40 cali | 1-3/8" do 1-3/4" |
| 6,6FT-2D-5K-Y | | | |
| 8FT-2D-6K | 8 stóp (2440 mm) | 42-48 cali | 1-3/8" do 1-3/4" |
| 8ft(j) pojedyncze drzwi | | | |
| 8ft(I) pojedyncze drzwi | | | |
| 10FT-3D-7K-J | 10 stóp (3000 mm) | 60 cali | 1-3/8" do 1-3/4" |
| 10FT-3D-7K-I | | | |

Pozostałe wymiary:

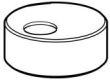

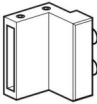






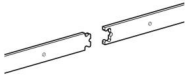
1. Produkt jest przeznaczony do pojedynczych drzwi przesuwnych, wysokość drzwi wynosi H w zależności od zakupionej wysokości;
2. Odległość od środka toru do wysokości podłoża musi być o 1,6875 cala wyższa niż wysokość drzwi;
3. Odległość środka toru od sufitu nie powinna być mniejsza niż 6 cali;
4. Odległość między dolną krawędzią a dolną krawędzią wynosi 0,375 cala

Lista parametrów






| Model | Produkt kolor | wieszak typ | Podział orbity numer | Liczba szyn Otwory montażowe |
|------------------------------|---------------|-------------|----------------------|---------------------------------|
| 5FT-2D-5K-H | czarny | Forma J | 2 szt. | 5 szt. |
| 5FT-2D-5K-Y Ciemny | srebrny | | | |
| 6FT-2D-5K-H | czarny | | | |
| 6FT-2D-5K-Y Ciemny | srebrny | | | |
| 6,6FT-2D-5K-H | czarny | | | |
| 6.6FT-2D-5K-Y Ciemny | srebrny | | | |
| 8FT-2D-6K Ciemnosrebrna | forma J | | | |
| 8 stóp(I)pojedynczy drzwi | czarny | Forma J | 2 szt. | 6 szt. |
| 8 stóp(I)pojedynczy drzwi | czarny | Formuję | | |
| 10FT-3D-7K-J | czarny | Forma J | 3 szt. | 7 szt. |
| 10FT-3D-7K-I | | Formuję | | |


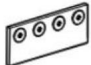

Lista części

Ta sama liczba części

| | | | |
|--|--|--|---|
|  <p>A: Blokada antyskokowa × 2 szt.</p> |  <p>B: M4×25 łeb stożkowy wkręt samogwintujący×2szt</p> |  <p>C:Przez Korek × 2szt</p> |  <p>D: kształt T Przewodnik po podłodze × 1 szt.</p> |
|  <p>E:φ6×30 Plastikowa śruba rozporowa × 2 szt.</p> |  <p>F: M4×25 Nabój okrągły Wkręt samogwintujący z łbem walcowym ×2 szt.</p> |  <p>G: 2,5 mm sześciokąt Klucz × 1 szt.</p> |  <p>H: Ściana Odstęp×4</p> |
|  <p>K: Śruba M10×55×4</p> |  <p>L:Zestaw szyn × 1 szt.</p> | | |

Części o różnych ilościach

| | | | | | |
|--------------|---|--|---|--|---|
| <p>Model</p> |  <p>J: Wieszak-J</p> |  <p>O:podkładki</p> |  <p>P: M8×90 Śruba</p> |  <p>P:φ12×50 Plastikowa śruba rozporowa</p> |  <p>M: Ściana Odstępnik</p> |
|--------------|---|--|---|--|---|

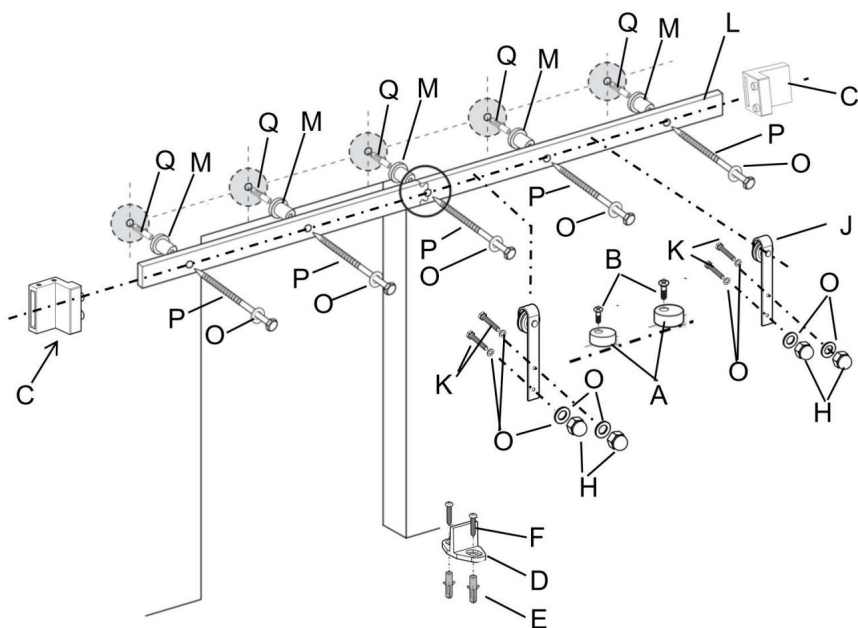
| | | | | | |
|--|--|---|---|---|---|
| 5FT-2D-5K-H | 2 | 13 | 5 | 5 | 5 |
| 5FT-2D-5K-Y | | | | | |
| 6FT-2D-5K-H | | | | | |
| 6FT-2D-5K-Y | | | | | |
| 6,6 stóp-2 cali D-5K-H | | | | | |
| 6,6 stóp-2 cali D-5K-Y | | | | | |
| 8FT-2D-6 tys. | 2 | 14 | 6 | 6 | 6 |
| 8 stóp(j)pojedynczy i przez | | | | | |
| 8 stóp(I)Śpiewaj Drzwi | | | | | |
| 10FT-3D-7K-J | 2 | 15 | 7 | 7 | 7 |
| 10FT-3D-7K-ja | 0 | | | | |
| Poniżej przedstawiono model 8FT-2D-6K, 8ft(j) pojedyncze drzwi, 8ft(I) pojedyncze Akcesoria dostępne tylko do drzwi | | | | | |
|  R: Śruba M6*10×4 szt. |  S:połączenie pasek×1 szt. |  T: 4mm sześciokąt × 1 szt. | | | |

Poniżej przedstawiono akcesoria dostępne tylko dla modeli 10FT-3D-7K-I i 8ft(I)Single Door.



I: Wieszak-Ix2

Diagram rozkładu modelu 6ft-2d-5k-h



Uwaga: Pozostałe wykresy rozkładu modelu są podobne

CNOAUCJA

Niewłaściwe obchodzenie się z ciężkimi przedmiotami (np. drzwiami) może spowodować utratę równowagi i poważne obrażenia. Zawsze upewnij się, że trzymasz przedmiot i utrzymujesz równowagę przed jego przesunięciem. Zawsze zakładaj obuwie ochronne podczas podnoszenia ciężkich przedmiotów.

Zaplątanie się części ciała (np. włosów, palców) w ruchome części może spowodować przytrzaśnięcie i poważne obrażenia. Nie wkładaj palców w części, które mogą się poruszać i zawsze usuwaj lub trzymaj na ciele cokolwiek, co może się stać zaplątany w ruchomą część.











Zamykanie drzwi przesuwnych z ręką na końcu drzwi może spowodować:

Twoja ręka lub palce mogą zostać przytrzaśnięte między drzwiami a innym stałym przedmiotem obiektów (np. inne drzwi, listwy) powodujących poważne obrażenia. Zawsze używaj klamka do zamykania drzwi

Oświadczenie o użytkowaniu

Użycie nadmiernej siły podczas otwierania i zamykania drzwi może spowodować uszkodzenia sprzętu. Zawsze trzymaj uchwyt, aby delikatnie przesunąć przez(y).

Wymagane narzędzia

| | | | |
|--|--|---|--|
|  Kwadrat prędkości |  Ołówek |  Krzyżak Śrubokręt |  Taśma |
|  Klucz |  Poziom |  Wiertarka |  Wiertło $\Phi 3/8''$ |
|  Wiertło $\Phi 29/64''$ |  Wiertło $\Phi 7/32''$ | | |

Montaż produktu

Bardzo ważne jest ustalenie, czy konieczna jest instalacja nagłówka

Zamontuj płytę przed zainstalowaniem toru.

JEŚLI spełniasz poniższe warunki, zdecydowanie zalecamy skorzystanie z

Płyta nagłówkowa. •

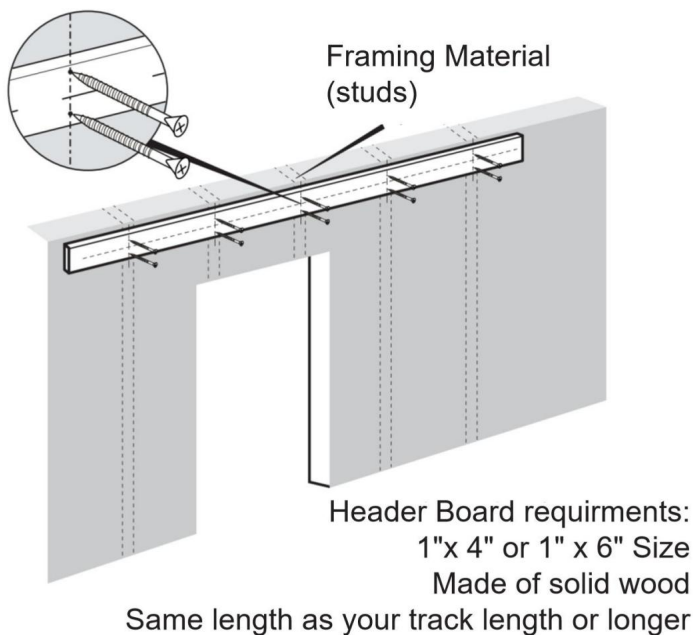
JEŚLI Twoje kołki ściennie nie są rozmieszczone co 16 cali, co nie będzie zgodne z naszymi

szyna (nasza szyna jest wyposażona w wstępnie wywiercone otwory co 16 cali

od środka) • JEŚLI ściana jest wykonana z płyt gipsowo-kartonowych lub innego rodzaju ściany (jak ta

może nie utrzymać ciężaru szyny i zamontowanych drzwi) • JEŚLI występuje

listwa wykończeniowa drzwi



Uwaga: Płyta czołowa i śruby do jej zamontowania nie są

w zestawie. Możesz je kupić online lub offline.

Krok 1

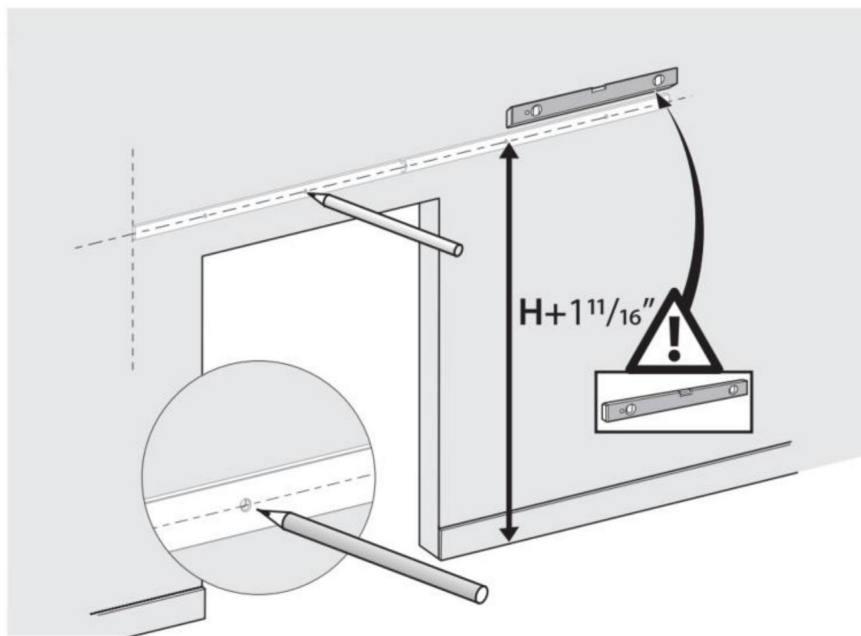
1.1. Użyj poziomicy i miarki, aby zaznaczyć linię środkową toru.

pokazano na schemacie wyboru produktu, wysokość drzwi wynosi H w

na powyższym zdjęciu widać wysokość linii środkowej (mierzoną od podłogi) wysokość drzwi PLUS 1-11/16".

1.2. Umieść szynę na miejscu wzdłuż zaznaczonej linii środkowej, upewniając się, że jest wypoziomowana, i użyj szyny jako szablonu do zaznaczenia położenia otworów montażowych. śledzić ołówkiem.

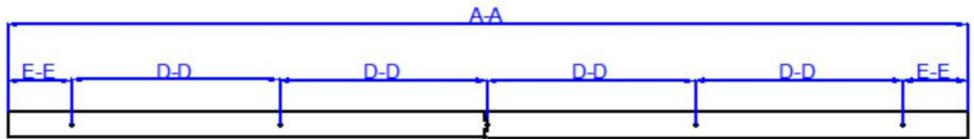
Zobacz wskazówkę dotyczącą instalacji poniżej.



Tor musi całkowicie zakrywać otwory drzwiowe na panelach ściennych; zasugeruj, aby jeden koniec toru był na równi z otworem w ścianie i ma to związek z szerokością drzwi.

WSKAZÓWKA DOTYCZĄCA INSTALACJI:

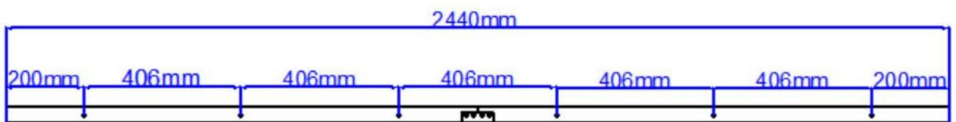
Aby łatwiej oznaczyć otwory, można zamontować szynę z jednym końcem śruba bez dystansu, która pomaga zamocować jeden koniec toru. A potem możesz przesunąć wolny koniec, aby upewnić się, że szyna jest wypoziomowana i można oznaczyć otwory montażowe. Można również odwołać się do rozmiaru toru, aby oznaczyć położenie otworu toru



| Model | długość szyny AA | otwór w szynie dystans DD | otwór w boku szyny i krawędź szyny II | Liczba wyraźny dziury |
|---------------|---------------------|---------------------------------|---|-----------------------------|
| 5FT-2D-5K-H | 5 stóp (1500 mm) | 325 mm | 100mm | 5 szt. |
| 5FT-2D-5K-Y | | | | |
| 6FT-2D-5K-H | 6 stóp (1830 mm) | 406 mm | 103 mm | 5 szt. |
| 6FT-2D-5K-Y | | | | |
| 6,6FT-2D-5K-H | 6,6 stopy (2000 mm) | 406 mm | 188 mm | 5 szt. |
| 6,6FT-2D-5K-Y | | | | |

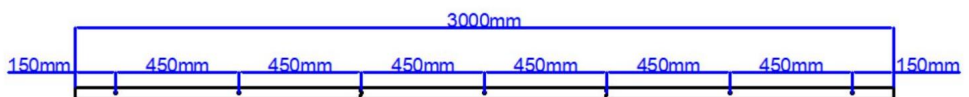
Otwory montażowe szyny modelu 8FT-2D-6K, 8ft(J) pojedyncze drzwi i

Drzwi pojedyncze 8ft(I) są następujące, sześć otworów;



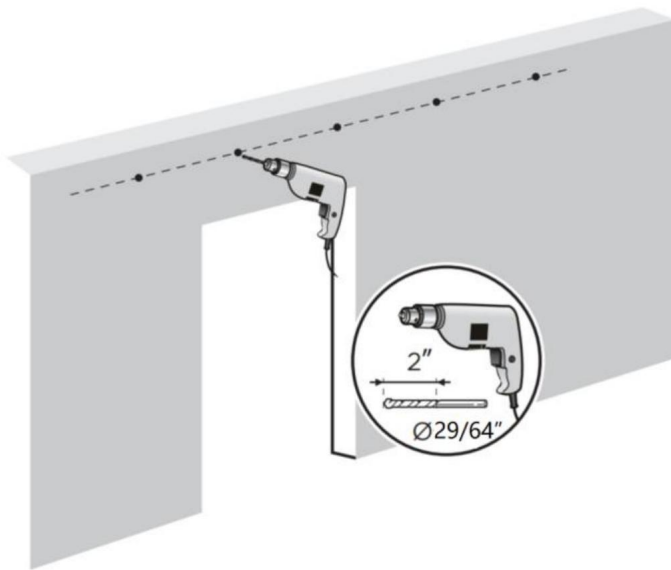
Wymiary montażowe szyn dla modeli 10FT-3D-7K-j i 10FT-3D-7K-I

są następujące, siedem otworów;



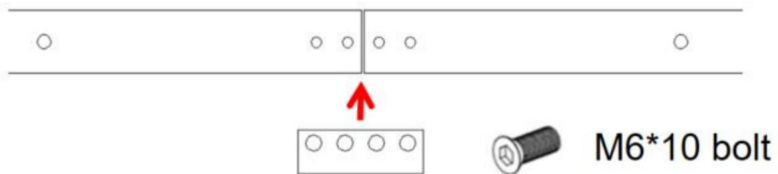
Krok 2:

2.1. Wywierć otwór o średnicy $\Phi 29/64''$ w zaznaczonym miejscu i głębokości 2 cali;

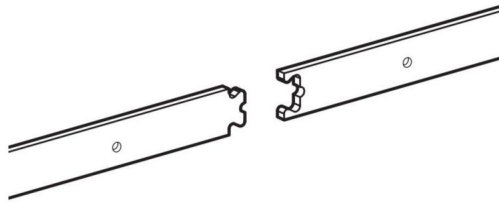


Krok 3: Zamontuj szynę

przewodzącą 3.1. Dwie prowadnice modelu 8FT-2D-6K są połączone paskiem łączącym i czterema śrubami;

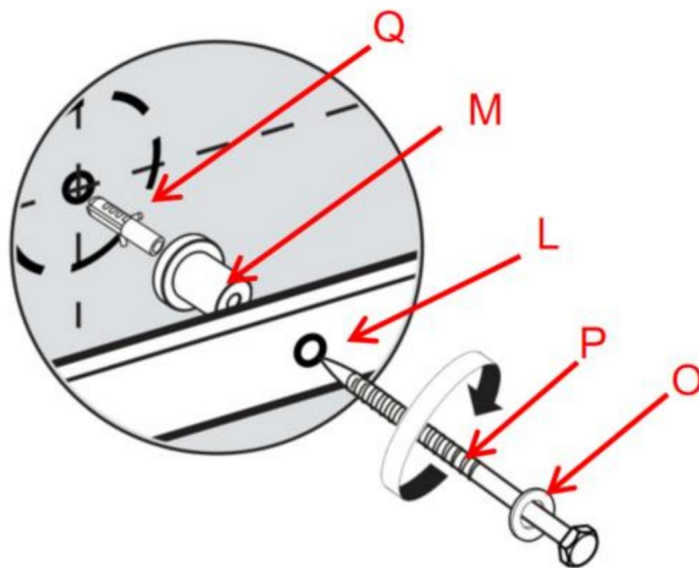


Pozostałe modele to kombinacje w kształcie kwiatów, wykonane za pomocą szyny.



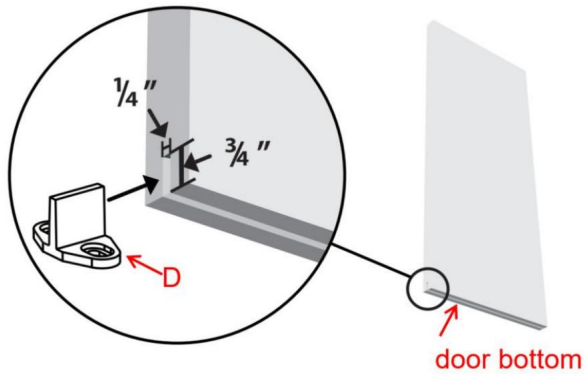
3.2. Montaż ściany betonowej.

Najpierw zamontuj plastikową śrubę rozporową Q w otworach w ścianie betonowej, następnie użyj śruby P poprzez podkładki O, szynę L i przekładkę ścienną M, a na koniec zablokuj plastikową śrubę rozporową Q.



Krok 4

Za pomocą frezarki lub piły tarczowej zrób szczelinę na dole drzwi, wzdłuż środka, tak aby końcówka prowadnicy podłogowej w kształcie litery T zmieściła się pomiędzy nimi. Prowadnica podłogowa służy do stabilizacji drzwi i zapobiega ich kołysaniu się do przodu i do tyłu podczas otwierania i zamykania.



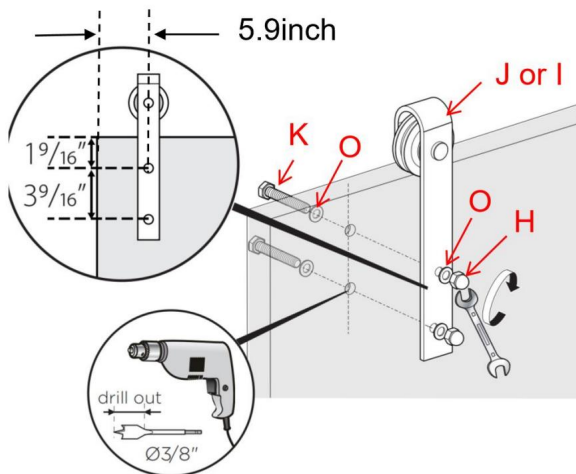
Krok 5

Zgodnie z poniższym rysunkiem, użyj śruby K, aby przełożyć podkładkę O, drzwi, wieszak J, podkładkę O, a na koniec dokręć śrubę H nakrętką, aby zabezpieczyć wieszak J na górze drzwi; zamontuj wieszaki na górze drzwi. Upewnij się, że śruba K znajduje się w środkowej linii górnej strony drzwi.

Do każdego wieszaka potrzebne są dwie śruby; na każde drzwi wymagane są 2 wieszaki.

Uwaga: Wieszak dla modelu 10FT-3D-7K-I to wieszak I.

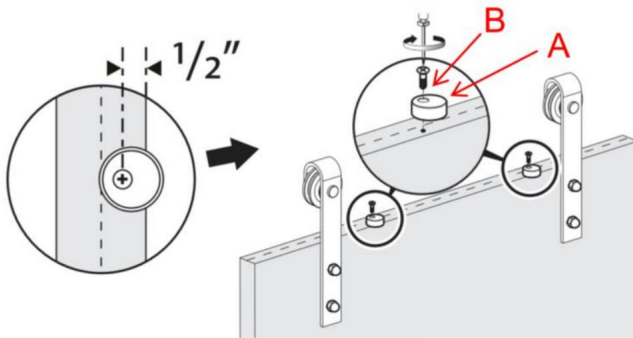
Jeżeli grubość Twoich drzwi wynosi 1-3/4 cala, nie musisz instalować podkładki O.



Krok 6

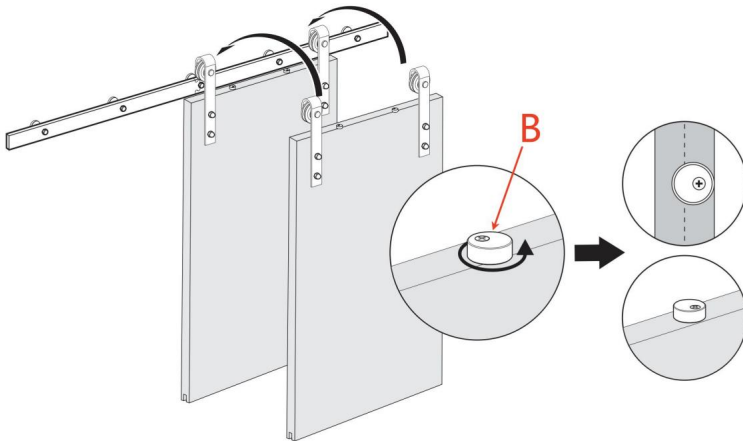
Blokady zabezpieczające służą do ochrony drzwi przed dotknięciem szyny podczas przesuwania drzwi.

Najpierw zaznacz odległość 0,5 cala od krawędzi drzwi, następnie ustaw otwory na śruby bloku zabezpieczającego przed zsunięciem A tak, aby wyrównały się ze znakiem, przełoż śrubę B przez blok zabezpieczający przed zsunięciem A i zablokuj na znaku.



Krok 7

Zawieś drzwi nad torem i obróć bloki zabezpieczające o 180°



Krok 8

Zamontuj ograniczniki drzwi C na obu końcach szyny.

Przesuń drzwi do przodu i do tyłu, aby sprawdzić, jak dobrze zakrywają otwór.

Zmień położenie ograniczników drzwi, jeśli potrzebujesz. Dostosuj położenie lewego i

prawy ogranicznik drzwi, gdy drzwi są otwarte i zamknięte. Jeśli zmniejszysz drzwi

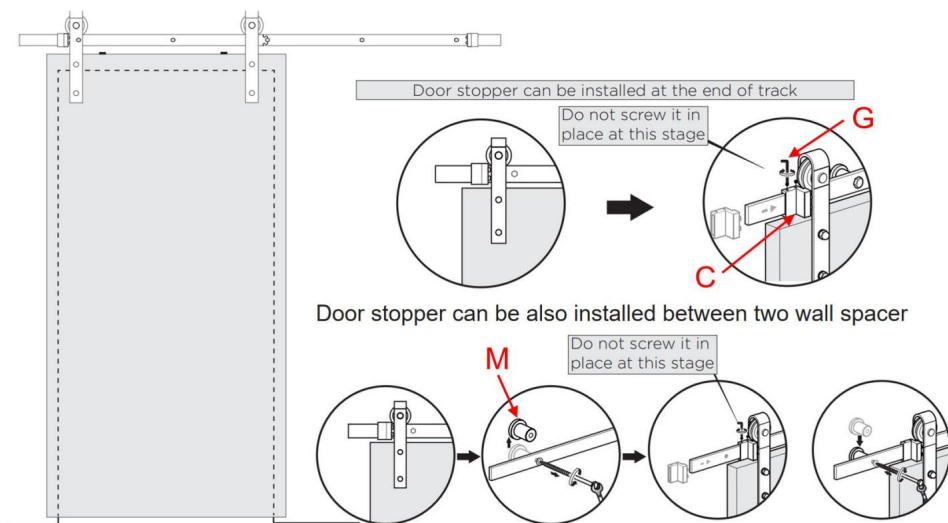
po wyskoczeniu ograniczniki drzwi C mogą przesunąć się w kierunku środka szyny.

Jeżeli ograniczniki drzwi C są zablokowane przez przekładkę ścienną M i nie mogą się poruszać,

możesz usunąć przekładkę ścienną M, przesunąć ją do odpowiedniej pozycji, a następnie

zamontuj ograniczniki drzwi M z powrotem w ich pierwotnym położeniu.

Ogranicznik drzwi można również zamontować pomiędzy dwoma przekładkami ściennymi



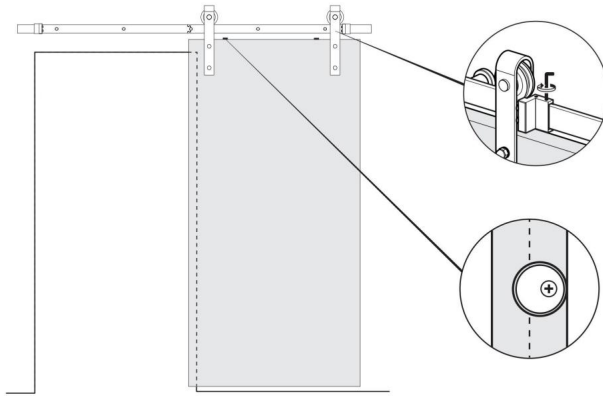
Krok 9

Ostateczna kontrola ograniczników drzwi i blokad antyprzeskokowych.

Sprawdź, czy ograniczniki drzwi są prawidłowo umieszczone i dokręcone.

Klucz imbusowy G.

Sprawdź również, czy bloki zabezpieczające są prawidłowo obrócone i dokręcone.

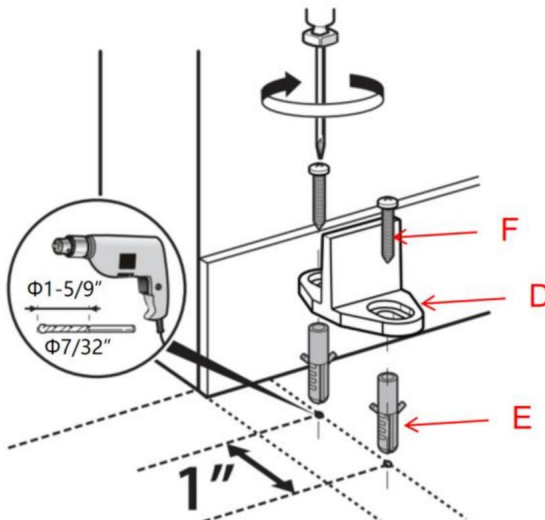


Krok 10

Zamontuj prowadnicę podłogową D.

10.1. Najpierw umieść prowadnicę podłogową na podłodze w odpowiedniej pozycji, przesuając drzwi tak, aby końcówka prowadnicy podłogowej mogła dobrze pracować w szczelinie dolnej części drzwi. Następnie zaznacz 2 otwory prowadnicy podłogowej. Następnie dwa otwory na śruby przechodzące przez prowadnicę podłogową zaznaczają dwa punkty na podłodze.

10.2. Za pomocą wiertła $\Phi 7/32''$ wywierć otwory o głębokości 1,375 cala w oznaczeniu podłogi; następnie włóż plastikową śrubę rozporową E do otworu w podłodze; wkręt F przejdź przez otwór w prowadnicy podłogowej D i wkręć plastikową śrubę rozporową E, aby zakończyć instalację prowadnicy podłogowej D.



Producent: Shanghaimuxinmuyeyouxiangongsi Adres:

Shuangchenglu 803nong11hao1602A-1609shi, Baoshanqu, Szanghaj 200000 CN.

Importowane do AUS: SIHAO PTY LTD. 1 ROKEVA STREETEASTWOOD NSW 2122 Australia

Importowane do USA: Sanven Technology Ltd. Suite 250, 9166 Anaheim Place, Rancho Cucamonga, CA 91730



YH CONSULTING LIMITED. C/O YH Consulting Limited Biuro
147, Centurion House, London Road, Staines-upon-
Thames, Surrey, TW18 4AX



E-CrossStu GmbH
Mainzer Landstr.69,
60329 Frankfurt nad Menem.

VEVOR[®]

TOUGH TOOLS, HALF PRICE

Wsparcie techniczne i certyfikat gwarancji
elektronicznej www.vevor.com/support

VEVOR[®]

TOUGH TOOLS, HALF PRICE

Technische ondersteuning en e-garantiecertificaat www.vevor.com/support

EENVOUDIGE SCHUIFDEUR HARDWARE KIT

**MODEL: 5FT-2D-5K-H/5FT-2D-5K-Y/6FT-2D-5K-H/
6FT-2D-5K-J/6.6FT-2D-5K-H/6.6FT-2D-5K-J/
8FT-2D-6K/8FT(J)Enkele deur/8FT(I)Enkele deur/
10FT-3D-7K-J/10FT-3D-7K-I**

Wij streven er voortdurend naar om u gereedschappen tegen concurrerende prijzen te leveren. "Save Half", "Half Price" of andere soortgelijke uitdrukkingen die wij gebruiken, geven alleen een schatting weer van de besparingen die u kunt behalen door bepaalde gereedschappen bij ons te kopen in vergelijking met de grote topmerken en betekent niet noodzakelijkerwijs dat alle categorieën gereedschappen die wij aanbieden, worden gedekt. Wij herinneren u eraan om zorgvuldig te controleren of u daadwerkelijk de helft bespaart in vergelijking met de grote topmerken wanneer u een bestelling bij ons plaatst.

VEVOR®

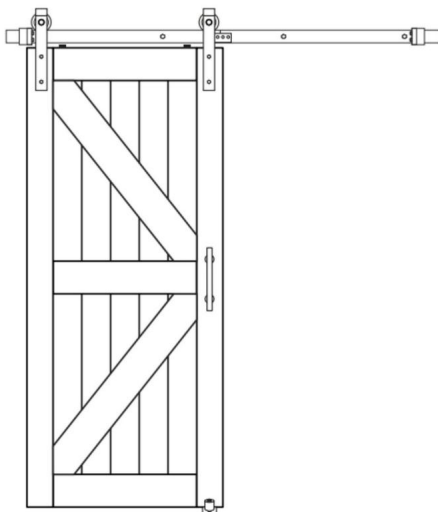
TOUGH TOOLS, HALF PRICE

Vloerregister

MODEL: 5FT-2D-5K-H/5FT-2D-5K-Y/6FT-2D-5K-H/6FT-2D-5K-Y/

6.6FT-2D-5K-H/6.6FT-2D-5K-Y/8FT-2D-6K/8FT(J)Enkele deur/ 8FT(I)Enkele deur/

10FT-3D-7K-J/10FT-3D-7K-I



HULP NODIG? NEEM CONTACT MET ONS OP!

Heeft u vragen over het product? Heeft u technische ondersteuning nodig? Neem dan gerust contact met

ons op: **Technische ondersteuning en E-garantiecertificaat**

www.vevor.com/support

Dit is de originele instructie, lees alle handleidingen zorgvuldig door voordat u het product gebruikt. VEVOR behoudt zich een duidelijke interpretatie van onze gebruikershandleiding voor. Het uiterlijk van het product is afhankelijk van het product dat u hebt ontvangen. Vergeef ons dat we u niet opnieuw zullen informeren als er technologie- of software-updates voor ons product zijn.

VEILIGHEIDSINSTRUCTIES

WAARSCHUWING:

Lees dit materiaal voordat u dit product gebruikt. Als u dit niet doet, kan dit leiden tot ernstig letsel.

Voorzorgsmaatregelen bij de montage

1. Monteer alleen volgens deze instructies. Onjuiste montage kan gevaren creëren.
2. Draag tijdens het werk een door de ANSI goedgekeurde veiligheidsbril en stevige werkhandschoenen. montage.
3. Zorg ervoor dat de montageplek schoon en goed verlicht is.
4. Houd omstanders uit de buurt tijdens de montage.
5. Ga niet in de winkel staan als u moe bent of onder invloed van alcohol, drugs of medicijnen.
6. Producteigenschappen zijn van toepassing op correct en volledig geassembleerd product alleen.
7. Voor aanvullende informatie over de onderdelen die in de volgende lijst staan vermeld, pagina's, raadpleeg dan het montageschema van deze handleiding. Uitpakken en Scheid alle onderdelen in een schone werkruimte.
8. Om veiligheidsredenen wordt aanbevolen om deze hardware door 2 personen te laten installeren. mensen
9. Producten worden buiten bereik van kinderen en huisdieren geïnstalleerd;

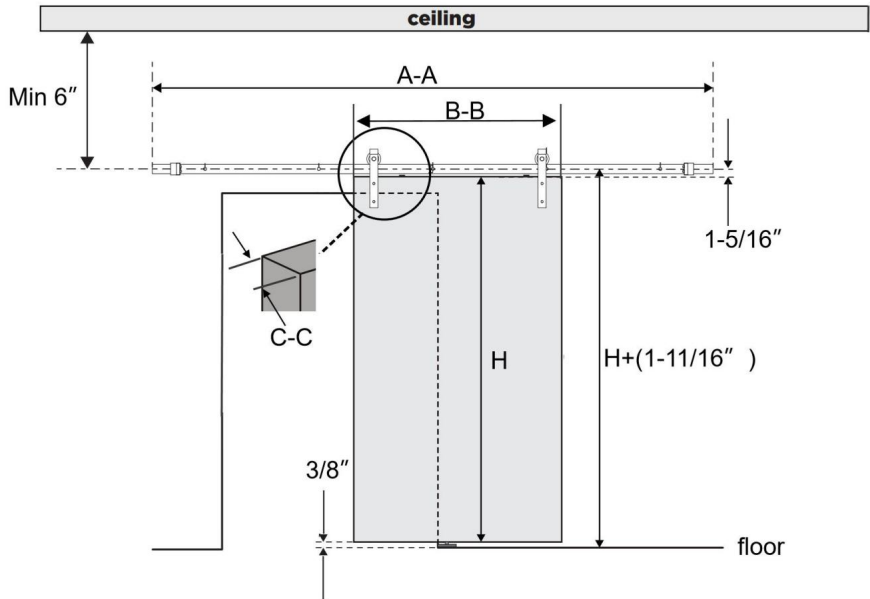
Neem voorzorgsmaatregelen

1. Dit product is geen speelgoed. Laat kinderen niet met dit artikel spelen.
2. Gebruik het product alleen zoals bedoeld.
3. Controleer het apparaat voor elk gebruik. Gebruik het apparaat niet als er onderdelen loszitten of beschadigd zijn.

BEWAAR DEZE INSTRUCTIES

Productgeschiktheid

De doos bevat geen deurpanelen en andere houten vierkanten, die vereisen extra aankoop



| Model | spoorlengte AA | Deurbreedte BB | Deurdikte CC |
|-------------------|--------------------|-------------------|-------------------|
| 5FT-2D-5K-H | 5 voet (1500 mm) | 30 inch | 1-3/8" tot 1-3/4" |
| 5FT-2D-5K-J | | | |
| 6FT-2D-5K-H | 6 voet (1830 mm) | 36 inch | 1-3/8" tot 1-3/4" |
| 6FT-2D-5K-J | | | |
| 6,6FT-2D-5K-H | 6,6 voet (2000 mm) | 36-40 inch | 1-3/8" tot 1-3/4" |
| 6,6FT-2D-5K-J | | | |
| 8FT-2D-6K | 8 voet (2440 mm) | 42-48 inch | 1-3/8" tot 1-3/4" |
| 8ft(j)enkele deur | | | |
| 8ft(l)enkele deur | | | |
| 10FT-3D-7K-J | 10 voet (3000 mm) | 60 inch | 1-3/8" tot 1-3/4" |
| 10FT-3D-7K-I | | | |

De overige afmetingen:

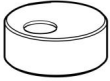

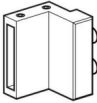


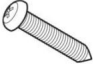



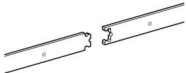
- 1.Product is toepasbaar op de enkele schuifdeur, de deurhoogte is H afhankelijk van de hoogte die u koopt;
2. De hoogte van het midden van het spoor tot de grond moet 1,6875 inch hoger zijn dan de deurhoogte;
3. De afstand van het midden van het spoor tot het plafond bedraagt minimaal 15 cm;
- 4.De afstand tussen de onderkant en de onderkant is 0,375 duim

Parameterlijst






| Model | Product kleur | hanger type | Baansplitsing nummer | Aantal rails montagegaten |
|--------------------------------|---------------|-------------|----------------------|---------------------------|
| 5FT-2D-5K-H | zwart | J-mal | 2 stuks | 5 stuks |
| 5FT-2D-5K-Y Donker zilver | | | | |
| 6FT-2D-5K-H | zwart | | | |
| 6FT-2D-5K-Y Donker zilver | | | | |
| 6,6FT-2D-5K-H | zwart | | | |
| 6.6FT-2D-5K-Y Donker zilver | | | | |
| 8FT-2D-6K Donkerzilveren J-mal | | | | |
| 8ft(j)enkel deur | zwart | J-mal | 2 stuks | 6 stuks |
| 8ft(l)enkel deur | zwart | lk vorm | | |
| 10FT-3D-7K-J | zwart | J-mal | 3 stuks | 7 stuks |
| 10FT-3D-7K-I | | lk vorm | | |


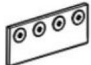

Onderdelenlijst

Zelfde aantal onderdelen

| | | | |
|---|--|--|---|
|  <p>A: Anti-springblok x 2st</p> |  <p>B: M4x25 verzonken kop tapschroef x 2st</p> |  <p>C: Door Stopper x 2st</p> |  <p>D: T-vorm Vloergids x 1 stuk</p> |
|  <p>E: \dot{y}6x30 Kunststof expansiebout x 2st</p> |  <p>F: M4x25 Rond kopschroef x 2st</p> |  <p>G: 2,5 mm zeskant Sleutel x 1st</p> |  <p>H: Muur Afstandhouder x 4</p> |
|  <p>K: M10x55 bout x 4</p> |  <p>L: Railkit x 1st</p> | | |

Onderdelen met verschillende hoeveelheden

| | | | | | |
|--------------|--|--|---|--|---|
| <p>Model</p> |  <p>J: Hanger-J</p> |  <p>O: ringen</p> |  <p>P: M8x90 Schroef</p> |  <p>Vraag: \dot{y}12x50 Plastic expansiebout</p> |  <p>M: Muur Afstandhouder</p> |
|--------------|--|--|---|--|---|

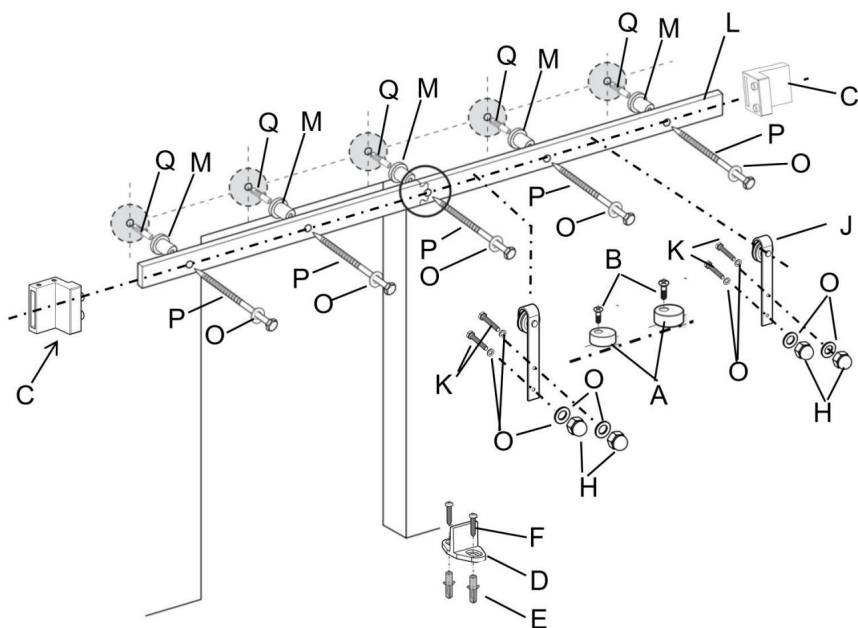
| | | | | | |
|---|---|---|---|---|---|
| 5FT-2D-5K-U | 2 | 13 | 5 | 5 | 5 |
| 5FT-2D-5K-J | | | | | |
| 6FT-2D-5K-U | | | | | |
| 6FT-2D-5K-J | | | | | |
| 6,6FT-2D-5K-H | | | | | |
| 6,6FT-2D-5K-J | | | | | |
| 8FT-2D-6K | 2 | 14 | 6 | 6 | 6 |
| 8ft(j)enkele deur | | | | | |
| 8ft(l)Zingele Door | 0 | | | | |
| 10FT-3D-7K-J | 2 | 15 | 7 | 7 | 7 |
| 10FT-3D-7K-lk | 0 | | | | |
| De volgende zijn het model 8FT-2D-6K, 8ft(j)enkele deur, 8ft(l)enkele Alleen deuraccessoires beschikbaar | | | | | |
|  R: M6*10 boutx4st |  S:verbinding riemx1st |  T:4mm zeskant x1st | | | |

De volgende accessoires zijn alleen beschikbaar voor het model 10FT-3D-7K-I en 8ft(I)Single Door



Ik:Hanger-Ix2

Ontledingsdiagram van model 6ft-2d-5k-h



Let op: De overige modelontledingsplots zijn vergelijkbaar

CNOAUTIE

Verkeerd hanteren van zware objecten (bijv. deuren) kan leiden tot verlies van evenwicht en ernstig letsel. Zorg er altijd voor dat u het object stevig vasthoudt en in evenwicht bent voordat u het object verplaatst. Draag altijd veiligheidsschoenen bij het tillen van zware objecten.











Als lichaamsdelen (zoals haar en vingers) in bewegende delen vast komen te zitten, kan dit leiden tot: beknelling en ernstig letsel. Steek uw vingers niet in onderdelen die kunnen bewegen en Verwijder of verwijder altijd alles van uw lichaam dat schadelijk kan zijn verstrengeld met een bewegend onderdeel.

Het sluiten van schuifdeuren met uw hand aan het uiteinde van de deur kan resulteren in uw hand of vingers klem komen te zitten tussen de deur en andere vaste voorwerpen voorwerpen (bijv. een andere deur, lijstwerk) die ernstig letsel veroorzaken. Gebruik altijd de deurkruk om de deur te sluiten

Gebruiksverklaring

Het gebruik van buitensporig geweld bij het openen en sluiten van de deur(en) kan leiden tot: schade aan de hardware. Houd altijd de hendel vast om de deur(s).

Benodigde gereedschappen

| | | | |
|--|---|---|---|
|  Snelheid Vierkant |  Potlood |  Phillips Schroevendraaier |  Plakband |
|  Moersleutel |  Niveau |  Oefening |  3/8" boor |
|  29/64" boor |  7/32" boor | | |

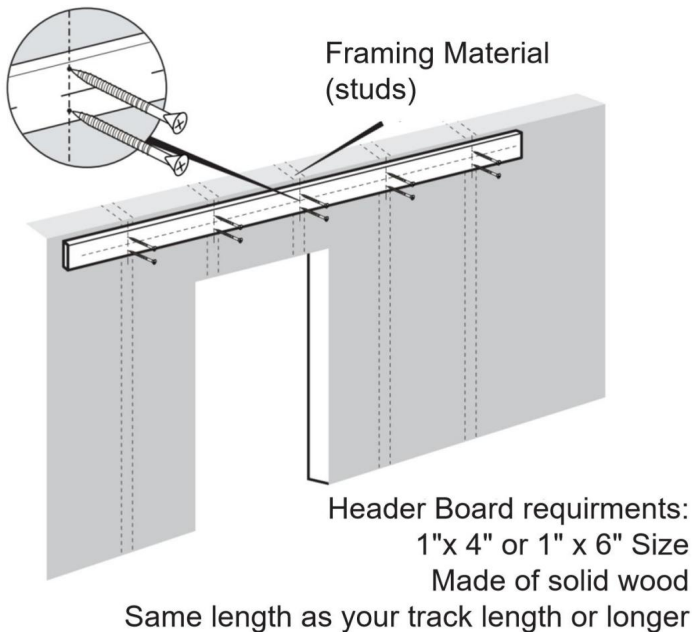
Productassemblage

Het is erg belangrijk om te bepalen of u een header moet installeren

Controleer het bord voordat u de rails installeert.

ALS u in de volgende situaties terechtkomt, raden wij u ten eerste aan om een Kopbord. • ALS

uw wandsteunen niet 16 inch in het midden zitten, wat niet overeenkomt met onze rail (onze rail wordt geleverd met voorgeboorde gaten om de 16 inch in het midden) • ALS uw type muur een muur is die niet van beton is, gipsplaat of een ander type muur (zoals deze kan het gewicht van de rail en de gemonteerde deur niet dragen) • ALS er een deuropening is



Let op: Kopbord en de schroeven om het kopbord te installeren zijn niet inbegrepen. inbegrepen. Je kunt ze online of offline kopen.

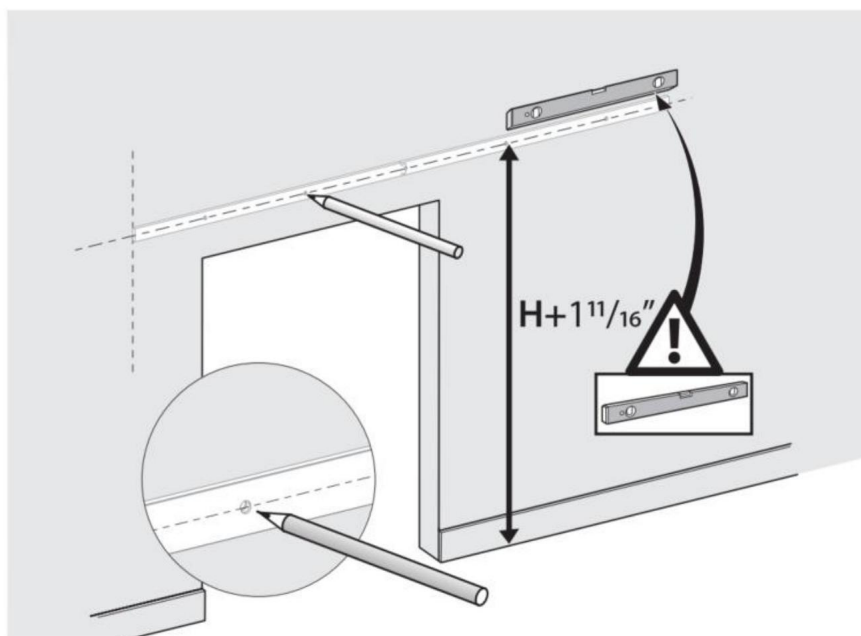
Step 1

1.1. Gebruik een waterpas en een meetlint om de middellijn van de baan te markeren. weergegeven in het productselectiediagram is de hoogte van de deur H in de

foto hierboven, de hoogte van de middellijn (gemeten vanaf de vloer) is de hoogte van uw deur PLUS 1-11/16".

1.2. Plaats de rail op zijn plaats door de gemarkeerde middellijn, zorg ervoor dat deze waterpas is en gebruik de rail als sjabloon om de locatie van de montagegaten voor de rail te markeren. met een potlood volgen.

Zie onderstaande installatietip.

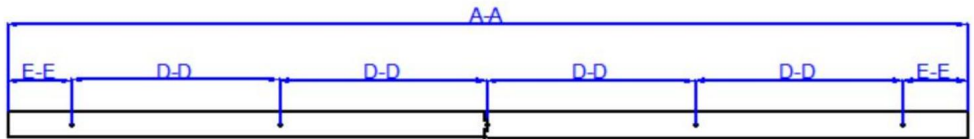


Het spoor moet de deuropeningen in de wandpanelen volledig bedekken; wij suggereren dat één uiteinde van het spoor gelijk ligt met de opening in de muur, en dit heeft te maken met de breedte van de deur.

INSTALLATIETIP:

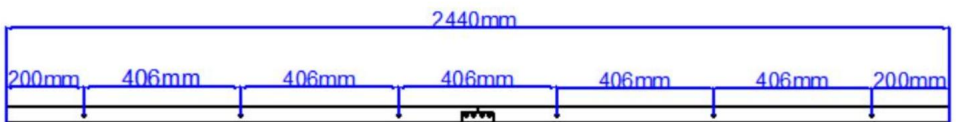
Om de gaten gemakkelijker te markeren, kunt u de rail met één uiteinde installeren bout zonder afstandhouder, die helpt om een uiteinde van de baan te fixeren. En dan kun je Verplaats het vrije uiteinde om ervoor te zorgen dat de rails waterpas is en de montagegaten zijn gemarkeerd.

U kunt ook naar de spoor grootte verwijzen om de positie van de spooropening te markeren

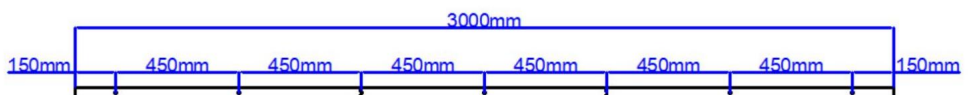


| Model | spoorlengte AA | spoor gat afstand DD | gat aan de zijkant van de rail en railrand EN EN | Aantal gemarkeerd gaten |
|---------------|--------------------|----------------------------|--|-------------------------------|
| 5FT-2D-5K-H | 5 voet (1500 mm) | 325 mm | 100mm | 5 stuks |
| 5FT-2D-5K-J | | | | |
| 6FT-2D-5K-H | 6ft (1830mm) | 406mm | 103mm | 5 stuks |
| 6FT-2D-5K-J | | | | |
| 6,6FT-2D-5K-H | 6,6 voet (2000 mm) | 406 mm | 188mm | 5 stuks |
| 6,6FT-2D-5K-J | | | | |

De railbevestigingsgaten van model 8FT-2D-6K, 8ft(J)enkele deur en 8ft(l)enkele deur zijn als volgt: zes gaten;

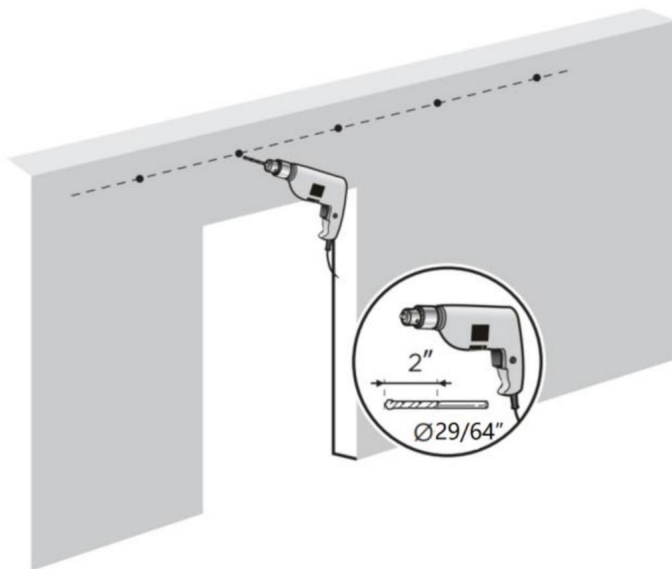


De railmontage -afmetingen voor de modellen 10FT-3D-7K-J en 10FT-3D-7K-I zijn als volgt, zeven gaten;



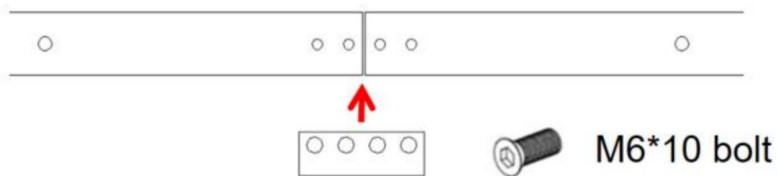
Stap 2:

2.1. Gebruik een boorgat van $\varnothing 29/64''$ op de gemarkeerde positie, 2 inch diep;

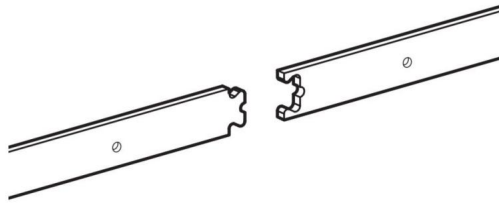


Stap 3: De geleiderail monteren

3.1. De 2 geleiders van het model 8FT-2D-6K worden gecombineerd door een verbindingsband en 4 bouten;

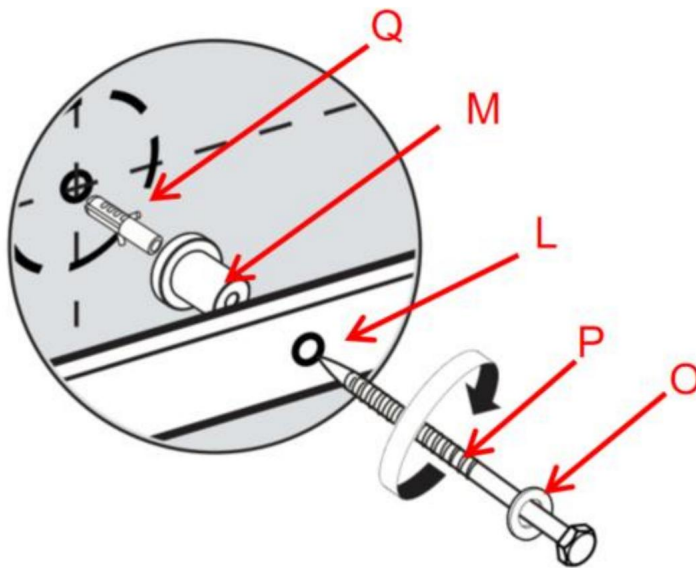


De overige modellen zijn bloemvormige combinaties via de rail.



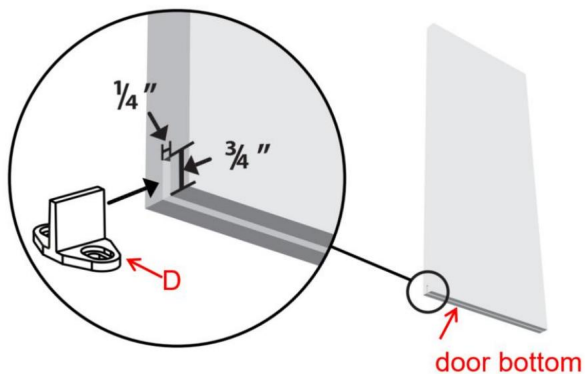
3.2. Installatie van betonnen muur.

Plaats eerst de kunststof expansiebout Q in de gaten in de betonnen muur. Gebruik vervolgens schroef P door de ringen O, rail L en muurafstandhouder M en zet de kunststof expansiebout Q vast.



Stap 4

Gebruik een freesmachine of cirkelzaag om een inkeping te maken aan de onderkant van de deur, langs het midden, zodat de punt van de T-vormige vloergeleider ertussen past. De vloergeleider zorgt ervoor dat uw deur stabiel blijft en voorkomt dat de onderkant van de deur heen en weer zwaait wanneer u de deur open en dicht schuift.



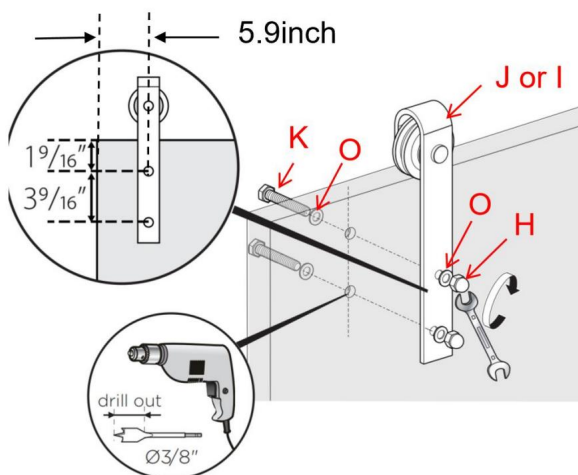
Step 5

Gebruik de bout K volgens de volgende afbeelding om door de ring O, deur, hanger J, ring O te gaan en draai ten slotte de bout H vast met de moer om de hanger J aan de bovenkant van de deur te bevestigen. Installeer de hangers aan de bovenkant van de deur. Zorg ervoor dat de bout K zich in de middenlijn van de bovenkant van de deur bevindt.

Voor elke hanger zijn twee bouten nodig; voor elke deur zijn 2 hangers nodig.

Let op: De hanger voor het model 10FT-3D-7K-I is Hanger I.

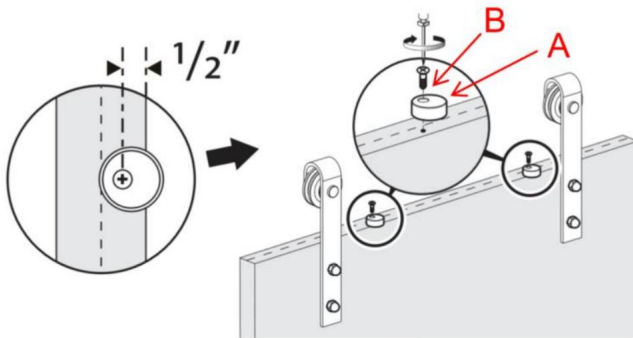
Als de dikte van uw deur 1-3/4 inch is, hoeft u ring O niet te installeren.



Stap 6

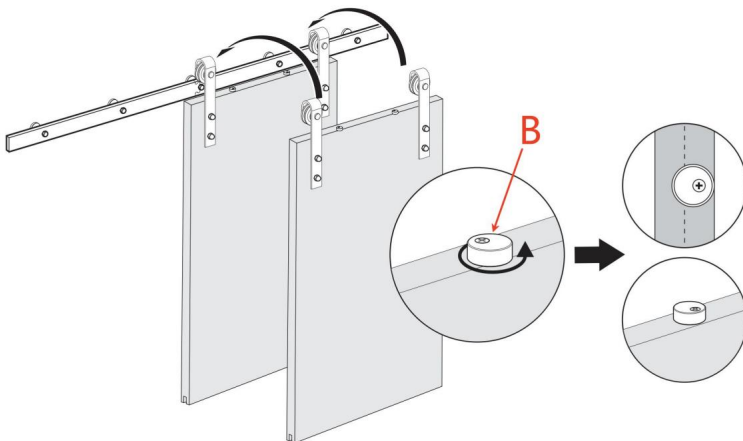
De anti-overstapblokken worden gebruikt om te voorkomen dat de deur de rail raakt wanneer de deur wordt geschoven.

Markeer eerst op 1,25 cm van de rand van de deur. Lijn vervolgens de schroefgaten van anti-overspringblok A uit met de markering. Gebruik schroef B door anti-overspringblok A en vergrendel de markering.



Stap 7

Hang de deur over de rail en draai de anti-springblokken 180°



Stap 8

Schuifdeurstoppers C aan beide uiteinden van de rail.

Schuif de deur heen en weer om te testen hoe goed de deur de opening afdekt.

Herpositioneer deurstoppers zoals u nodig hebt. Pas de positie van de linker- en rechter deurstopper wanneer de deur open en dicht is. Als u de deur verkleint

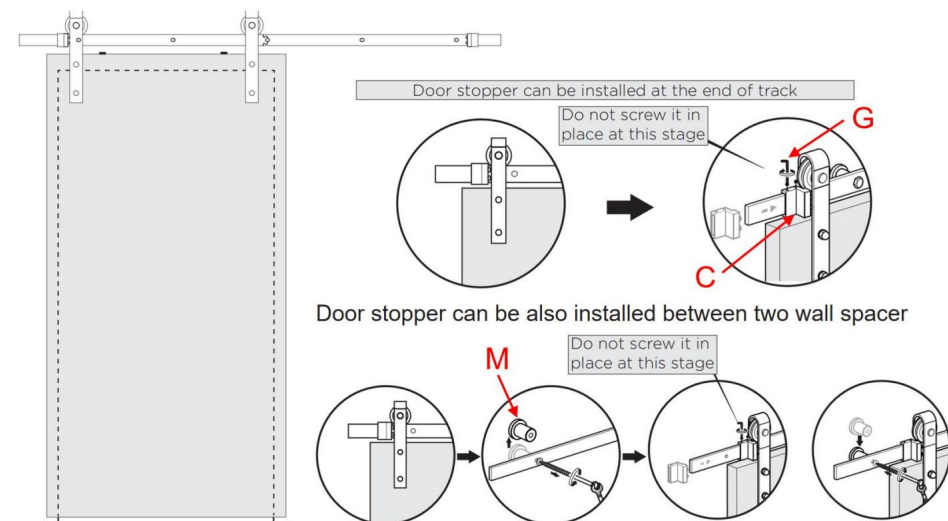
Bij een dergelijke reis kunnen de deurstoppers C naar het midden van de rail bewegen.

Wanneer deurstoppers C worden geblokkeerd door wandafstandhouder M en niet kunnen

bewegen, kunt u wandafstandhouder M verwijderen, naar de juiste positie verplaatsen en vervolgens

Plaats de deurstoppers M terug op hun oorspronkelijke positie.

Deurstopper kan ook tussen twee muurafstandhouders worden geplaatst

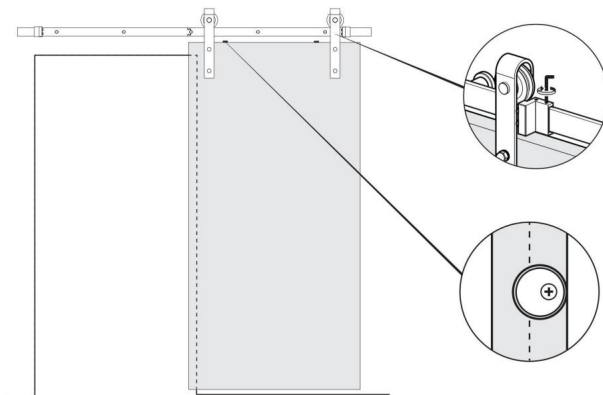


Stap 9

Eindcontrole van deurstoppers en anti-springblokken.

Controleer of de deurstoppers goed zijn geplaatst en vastgedraaid door de Inbussleutel G.

Controleer ook of de anti-springblokken goed zijn gedraaid en vastgedraaid.

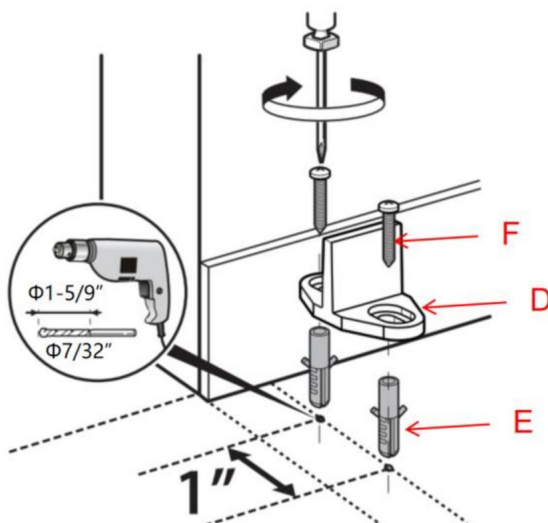


Stap 10

Installeer de vloergeleider D.

10.1. Plaats de vloergeleider eerst op de vloer in een geschikte positie, schuif de deur zo dat de punt van de vloergeleider goed in de gleuf aan de onderkant van de deur kan werken. En markeer vervolgens 2 gaten van de vloergeleider. Markeer vervolgens twee schroefgaten door de vloergeleider en twee punten op de vloer.

10.2. Gebruik een boor van $\dot{y}7/32''$ om gaten te boren met een diepte van 1,375 inch op de vloermarkering. Plaats vervolgens de kunststof expansiebout E in het vloergat. Schroef F gaat door het schroefgat van vloergeleider D en wordt in de kunststof expansiebout E geïnstalleerd om de installatie van vloergeleider D te voltooien.



Fabrikant: Shanghaimuxinmuyeyouxiangongsi **Adres:**

Shuangchenglu 803nong11hao1602A-1609shi, baoshanqu, shanghai 200000 CN.

Geïmporteerd naar AUS: SIHAO PTY LTD. 1 ROKEVA STREETEASTWOOD NSW
2122 Australië

Geïmporteerd naar de VS: Sanven Technology Ltd. Suite 250, 9166 Anaheim Place,
Rancho Cucamonga, CA 91730



YH CONSULTING LIMITED. C/O YH Consulting Limited
Kantoor 147, Centurion House, London Road, Staines-
upon-Thames, Surrey, TW18 4AX



E-CrossStu GmbH
Mainzer Landstr.69,
60329 Frankfurt am Main.

VEVOR[®]

TOUGH TOOLS, HALF PRICE

Technische ondersteuning en e-garantiecertificaat

www.vevor.com/support

VEVOR®

TOUGH TOOLS, HALF PRICE

Teknisk support och e-garanticertifikat www.vevor.com/support

ENKEL HÅRDSÄTTNING FÖR SKJUDA LUDÖRR

**MODELL:5FT-2D-5K-H/5FT-2D-5K-Y/6FT-2D-5K-H/
6FT-2D-5K-Y/6.6FT-2D-5K-H/6.6FT-2D-5K-Y/
8FT-2D-6K/8FT(J)Enkeldörr/8FT(I)Enkeldörr/
10FT-3D-7K-J/10FT-3D-7K-I**

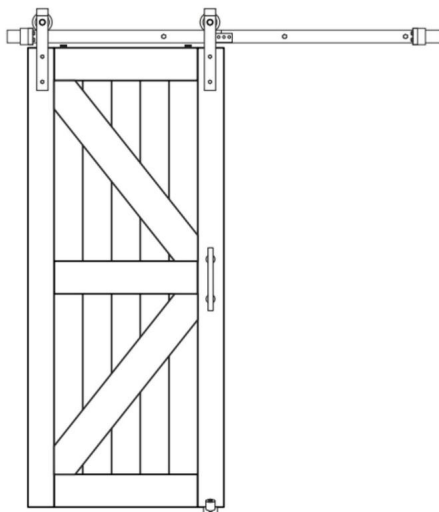
Vi fortsätter att vara engagerade i att ge dig verktyg till konkurrenskraftiga priser. "Spara halva", "halva priset" eller andra liknande uttryck som används av oss representerar bara en uppskattning av besparingar du kan dra nytta av att köpa vissa verktyg hos oss jämfört med de stora toppmärkena och betyder inte nödvändigtvis att täcka alla kategorier av verktyg som erbjuds av oss. Du påminns om att noggrant kontrollera när du gör en beställning hos oss om du verkligen sparar hälften i jämförelse med de främsta varumärkena.

VEVOR®

TOUGH TOOLS, HALF PRICE

Golvregister

MODELL:5FT-2D-5K-H/5FT-2D-5K-Y/6FT-2D-5K-H/6FT-2D-5K-Y/
6.6FT-2D-5K-H/6.6FT-2D-5K-Y/8FT-2D-6K/8FT(J)Enkeldörr/
8FT(I)Enkeldörr/10FT-3D-7K-J/10FT-3D-7K-I



BEHÖVER HJÄLP? KONTAKTA OSS!

Har du produktfrågor? Behöver du teknisk support? Kontakta oss gärna: **Teknisk support och e-garanticertifikat www.vevor.com/support**

Detta är den ursprungliga instruktionen, läs alla instruktioner noggrant innan du använder den. VEVOR reserverar sig för en tydlig tolkning av vår användarmanual. Utseendet på produkten är beroende av den produkt du fått. Ursäkta oss att vi inte kommer att informera dig igen om det finns någon teknik eller mjukvaruuppdateringar på vår produkt.

SÄKERHETSINSTRUKTIONER

VARNING:

Läs detta material innan du använder denna produkt. Underlåtenhet att göra det kan resultera i allvarlig skada.

Försiktighetsåtgärder vid montering

1. Montera endast enligt dessa instruktioner. Felaktig montering kan skapa faror.
2. Bär ANSI-godkända skyddsglasögon och kraftiga arbetshandskar under montering.
3. Håll monteringsområdet rent och väl upplyst.
4. Håll åskådare borta från området under monteringen.
5. Sätt dig inte ihop när du är trött eller påverkad av alkohol, droger eller medicin.

6. Produktegenskaper gäller för korrekt och fullständigt monterad produkt endast.
7. För ytterligare information om delarna som listas nedan sidorna, se monteringsdiagrammet i denna manual. Packa upp och separera alla delar i ett rent arbetsområde.
8. Av säkerhetsskäl rekommenderas den här hårdvaran att installeras senast 2 personer
9. Produkter installeras på avstånd från barn och husdjur;

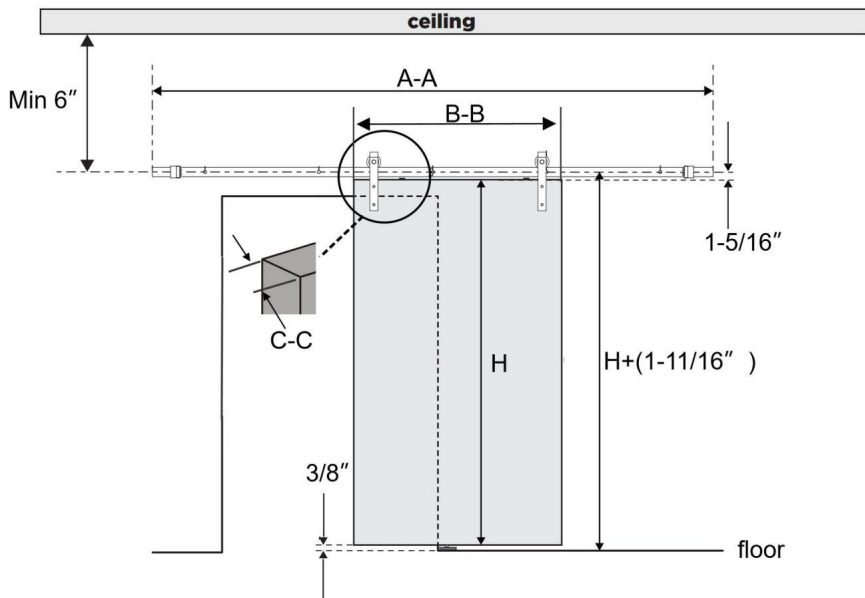
Använd försiktighetsåtgärder

1. Denna produkt är inte en leksak. Tillåt inte barn att leka med detta föremål.
2. Använd endast på avsett sätt.
3. Inspektera före varje användning; Använd inte om delar är lösa eller skadade.

SPARA DESSA INSTRUKTIONER

Produktens lämplighet

Lådan innehåller inte dörrpaneler och andra träutor, som kräver ytterligare köp



| Modell | räls längd AA | Dörrbredd BB | Dörrtjocklek CC |
|--------------------|-------------------|-----------------|--------------------|
| 5FT-2D-5K-H | 5 fot (1500 mm) | ÿ30 tum | 1-3/8" till 1-3/4" |
| 5FT-2D-5K-Y | | | |
| 6FT-2D-5K-H | 6 fot (1830 mm) | ÿ36 tum | 1-3/8" till 1-3/4" |
| 6FT-2D-5K-Y | | | |
| 6.6FT-2D-5K-H | 6,6 fot (2000 mm) | 36-40 tum | 1-3/8" till 1-3/4" |
| 6.6FT-2D-5K-Y | | | |
| 8FT-2D-6K | 8 fot (2440 mm) | 42-48 tum | 1-3/8" till 1-3/4" |
| 8ft(j) enkeldörr | | | |
| 8 fot(l) enkeldörr | | | |
| 10FT-3D-7K-J | 10 fot (3000 mm) | ÿ60 tum | 1-3/8" till 1-3/4" |
| 10FT-3D-7K-I | | | |

De återstående måtten:

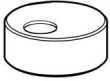

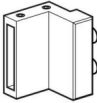


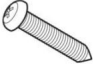



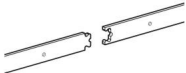
1. Produkten är tillämplig på den enda skjutdörren, dörrhöjden är H beroende på höjden du köper;
2. Banans mitt till markhöjden måste vara 1,6875 tum högre än dörrhöjden;
3. Avståndet mellan spårets centrum från taket är inte mindre än 6 tum;
4. Avståndet mellan undersidan och undersidan är 0,375 tum

Parameterlista






| Modell | Produkt färg | galge typ | Orbit split antal | Antal räls monteringshål |
|------------------------------|--------------|------------|-------------------|--------------------------|
| 5FT-2D-5K-H | svart | J mögel | 2 st | 5 st |
| 5FT-2D-5K-Y Mörk silver | silver | | | |
| 6FT-2D-5K-H | svart | | | |
| 6FT-2D-5K-Y Mörk silver | silver | | | |
| 6.6FT-2D-5K-H | svart | | | |
| 6.6FT-2D-5K-Y Mörk silver | silver | | | |
| 8FT-2D-6K Mörk silver J-form | | | | |
| 8ft(j) singel dörr | svart | J mögel | 2 st | 6 st |
| 8 fot(l) singel dörr | svart | jag möglar | | |
| 10FT-3D-7K-J | svart | J mögel | 3 st | 7 st |
| 10FT-3D-7K-I | | jag möglar | | |


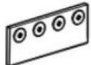

Delarlista

Samma antal delar

| | | | |
|--|---|--|--|
|  <p>A: Anti-hopp blockx2st</p> |  <p>B:M4x25 försänkt huvud gängskruv x 2st</p> |  <p>C: Av Stoppare x 2 st</p> |  <p>D:T form Golvguide x 1 st</p> |
|  <p>E: y6x30 Expansionsbult i plast x 2st</p> |  <p>F:M4x25 Rund huvudskruv x 2 st</p> |  <p>G: 2,5 mm hex Nyckel x 1 st</p> |  <p>H: Väggs Spacer x 4</p> |
|  <p>K:M10x55 bultx4</p> |  <p>L: Rail Kit x 1st</p> | | |

Delar med olika kvantiteter

| | | | | | |
|---------------|---|---|---|---|---|
| <p>Modell</p> |  <p>J: Hängare-J</p> |  <p>O: brickor</p> |  <p>P: M8x 90 Skruva</p> |  <p>F: y12x50 Plast expansionsbult</p> |  <p>M: Väggs Spacer</p> |
|---------------|---|---|---|---|---|

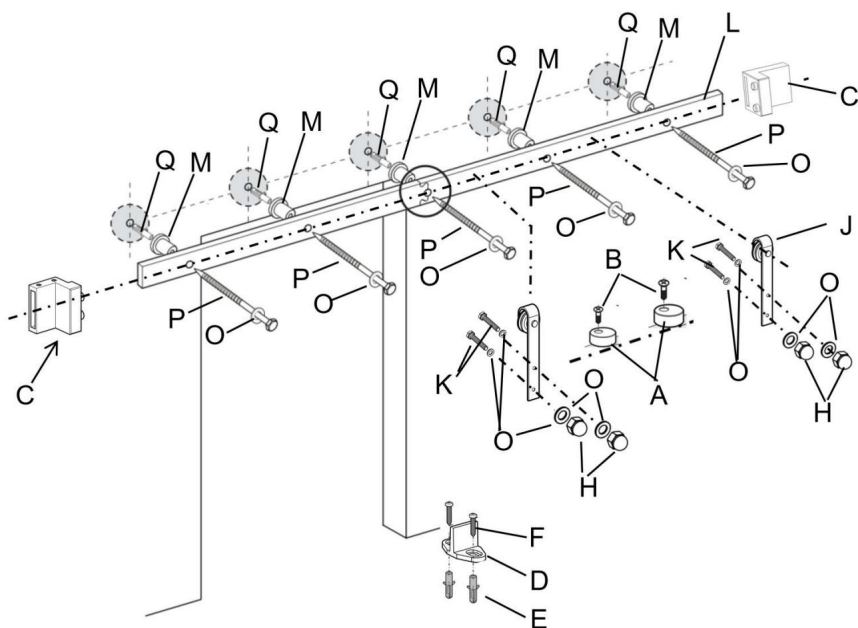
| | | | | | |
|---|---|---|---|---|---|
| 5FT-2D- 5K-H | 2 | 13 | 5 | 5 | 5 |
| 5FT-2D- 5K-Y | | | | | |
| 6FT-2D- 5K-H | | | | | |
| 6FT-2D- 5K-Y | | | | | |
| 6.6FT-2 D-5K-H | | | | | |
| 6.6FT-2 D-5K-Y | 2 | 14 | 6 | 6 | 6 |
| 8FT-2D- 6K | | | | | |
| 8ft(j) singel och igenom | | | | | |
| 8ft(l) Sjung dörren | 0 | | | | |
| 10FT-3D -7K-J | 2 | 15 | 7 | 7 | 7 |
| 10FT-3D -7K-I | 0 | | | | |
| Följande är modellen 8FT-2D-6K, 8ft(j) enkeldörr, 8ft(l)Single Dörr endast tillgängliga tillbehör | | | | | |
|  R:M6*10 bultx4st |  S:anslutning remx1 st |  T:4mm Hex x1st | | | |

Följande är modellen 10FT-3D-7K-I och 8ft(I)Single Door endast tillgängliga tillbehör



I: Hängare-1x2

Nedbrytningsdiagram av modell 6ft-2d-5k-h



Obs: De återstående modellnedbrytningsdiagrammen är liknande

FÖRSIKTIGHET

Felhantering av tunga föremål (t.ex. dörrar) kan orsaka förlust av balans och allvarliga skador.

Se alltid till att du har ett säkert grepp om föremålet och är

balanserad innan du flyttar föremålet. Bär alltid skyddsskor när du lyfter tunga föremål.











Att få kroppsdelar (t.ex. hår, fingrar) fast i rörliga delar kan orsaka klämning och allvarlig skada. Sätt inte fingrarna i delar som kan röra sig och alltid ta bort eller innehålla något på din kropp som kan bli intrasslad med en rörlig del.

Att stänga skjutdörrar med handen på dörrens ände kan resultera i din hand, eller fingrar, fastnar mellan dörren och annat fast föremål (dvs en annan dörr, gjutning) som orsakar allvarliga skador. Använd alltid dörrhandtag för att stänga dörren

Användningsdeklaration

Användning av överdriven kraft när du öppnar och stänger dörren/dörrarna kan resultera i skada på hårdvaran. Håll alltid i handtaget för att försiktigt flytta av(ar).

Verktyg krävs

| | | | |
|---|--|---|---|
|  |  |  |  |
| Speed Square | Penna | Phillips Skruvmejsel | Tejpa |
|  |  |  |  |
| Rycka | Nivå | Borra | ÿ3/8" borrar |
|  |  | | |
| ÿ29/64" borrar | ÿ7/32" borrar | | |

Produktmontering

Det är mycket viktigt att avgöra om du behöver installera en Header

Gå ombord innan du installerar banan.

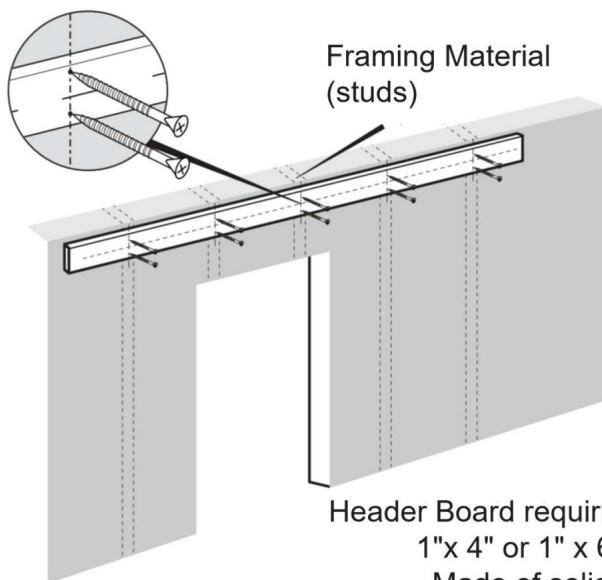
OM du möter följande situationer rekommenderar vi starkt att du använder en Header Board. •

OM dina väggreglar inte är 16" på mitten som inte kommer i linje med vår

skena (vår skena levereras med förborrade hål var 16:e tum på

mitten) • OM din väggtyp är icke-betongvägg, är gipsvägg eller annan väggtyp (som denna kanske inte bär upp vikten av spåret och den monterade dörren) •

OM det finns en dörröppning



Same length as your track length or longer

Observera: Header Board och skruvarna för att installera header board är det inte ingår. Du kan köpa dem online eller offline.

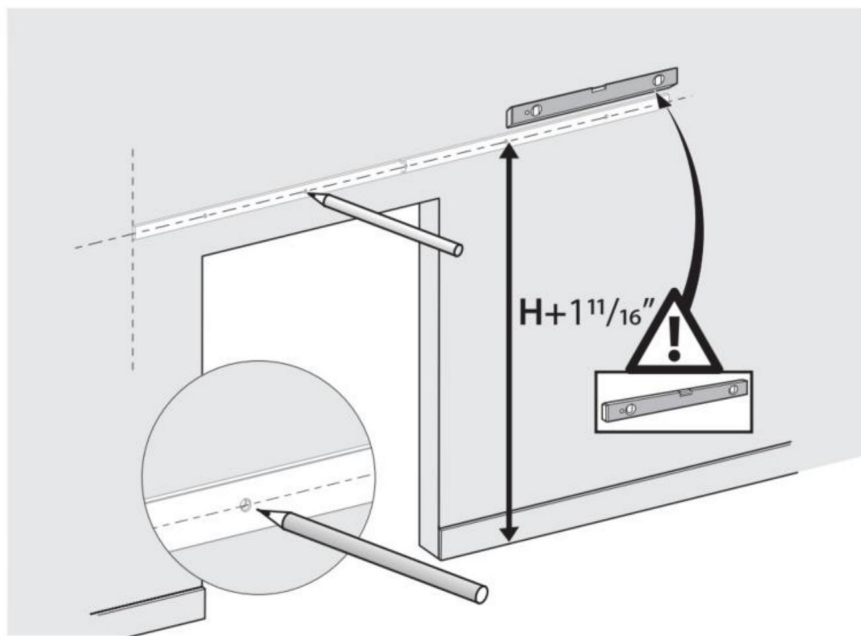
Steg-1

1.1. Använd en nivå och ett måttband för att markera spårets mittlinje. Som visas i produktvalsdiagrammet, höjden på dörren är H i

bilden ovan, höjden på mittlinjen (mätt upp från golvet) är höjden på din dörr PLUS 1-11/16".

1.2.Placera spåret på plats vid den markerade mittlinjen, se till att det är plant, och använd spåret som en mall för att markera monteringshålens placering för spåra med en penna.

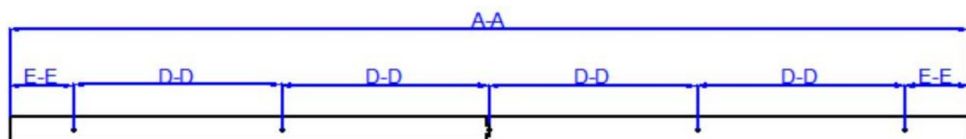
Se monteringsstips nedan.



Banan måste helt täcka dörröppningarna på vägghävelerna; vi föreslår att ena änden av banan är i jämnhöjd med väggens öppning, och detta är relaterat till dörrens bredd.

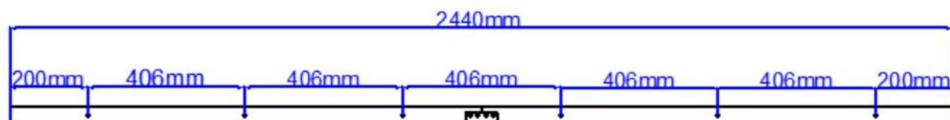
INSTALLATIONSTIPS:

För att markera hålen mer bekvämt kan du installera spår med ena änden bult utan distans, som hjälper till att fixera ena änden av spåret. Och då kan du flytta den fria änden för att säkerställa att spåret är i nivå för att markera monteringshål. Du kan också referera till spårstorleken för att markera spåröppningens position

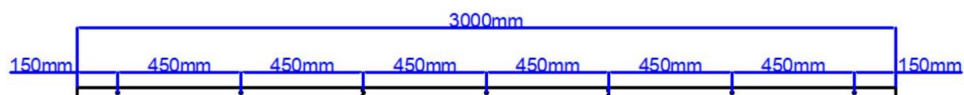


| Modell | räls längd AA | rälshål avstånd DD | räls sidohål och rälskant <small>OCH OCH</small> | Antal markant hål |
|---------------|-------------------|--------------------------|--|-------------------------|
| 5FT-2D-5K-H | 5 fot (1500 mm) | 325 mm | 100 mm | 5 st |
| 5FT-2D-5K-Y | | | | |
| 6FT-2D-5K-H | 6 fot (1830 mm) | 406 mm | 103 mm | 5 st |
| 6FT-2D-5K-Y | | | | |
| 6.6FT-2D-5K-H | 6,6 fot (2000 mm) | 406 mm | 188 mm | 5 st |
| 6.6FT-2D-5K-Y | | | | |

Skenmonteringshålen av modell 8FT-2D-6K ,8ft(J) enkeldörr och 8ft(I) enkeldörr är enligt följande, sex hål;

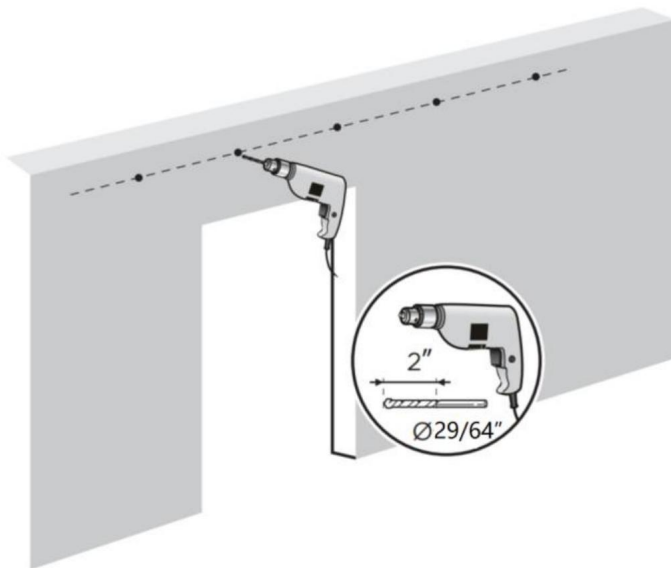


Skenmonteringsmått för modellerna 10FT-3D-7K-J och 10FT -3D-7K-I är som följer, sju hål;



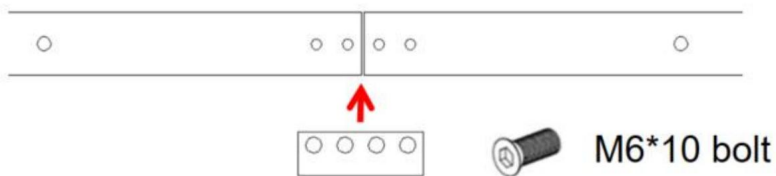
Steg-2:

2.1. Använd ett $\frac{1}{4}$ " borrhål i det markerade läget, 2 tum djupt;

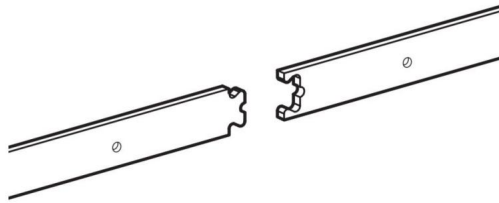


Steg-3: Installera styrskenan

3.1. De två styrningarna av modell 8FT-2D-6K kombineras med anslutningsrem och 4 bultar;

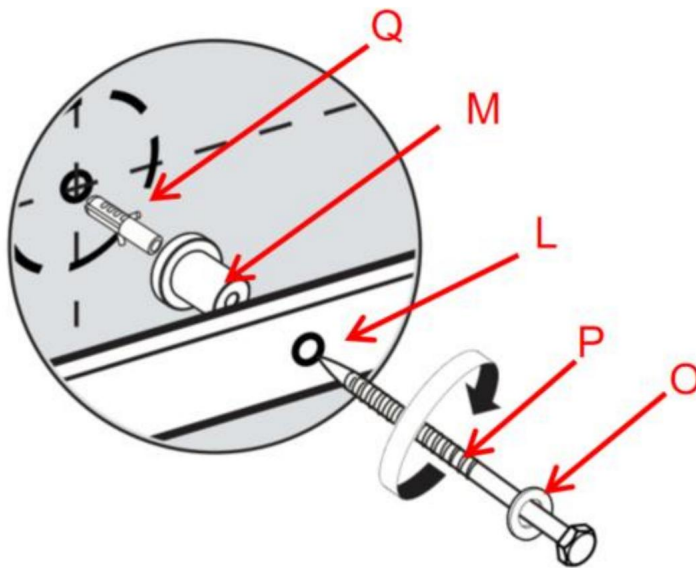


Resterande modeller är blomformade kombinationer via skenan.



3.2. Installation av betongvägg.

Montera plastexpansionsbulten Q i hålen på betongväggen först, använd sedan skruv P genom brickorna O, skenan L och väggdistansen M, och lås till sist på plastexpansionsbulten Q.



Steg-4

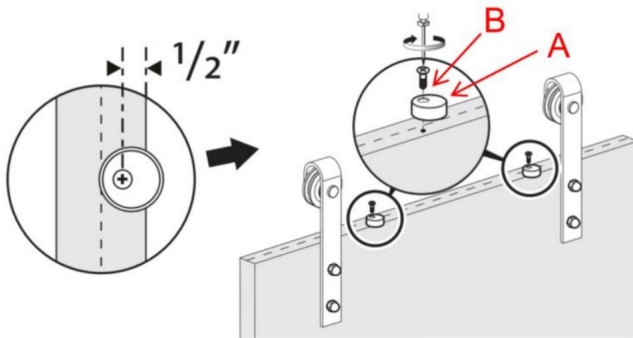
Använd fräs eller cirkelsåg för att skapa en sektion längst ner på dörren, längs mitten så att spetsen på den T-formade golvguiden får plats däremellan.

Golvstyrningen används för att hålla din dörr stabil och förhindra att dörrens botten svänger fram och tillbaka när du skjuter upp och stängs den.

Steg-6

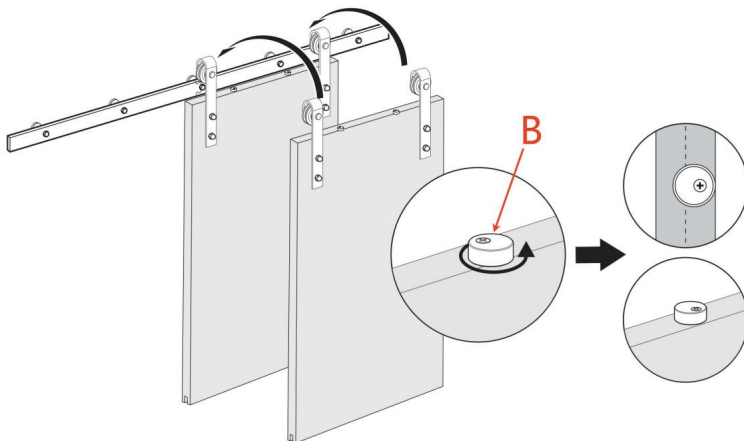
Antihoppblocken används för att skydda dörren från att vidröra skenan när dörren skjuts.

Markera först 0,5 tum från kanten av dörren, låt sedan skruvhålen på antihoppblock A för att rikta in märket, använd skruven B genom antihoppblock A och lås vid markeringen.



Steg-7

Häng dörren över spåret och vrid antihoppblocken 180°



Steg-8

Skjut dörrstopparna C på båda ändarna av spåret.

Skjut luckan fram och tillbaka för att testa hur väl luckan täcker öppningen.

Flytta dörrstopparna efter behov. Justera läget för vänster och

höger dörrstopp när dörren är öppen och stängd. Om du minskar dörren

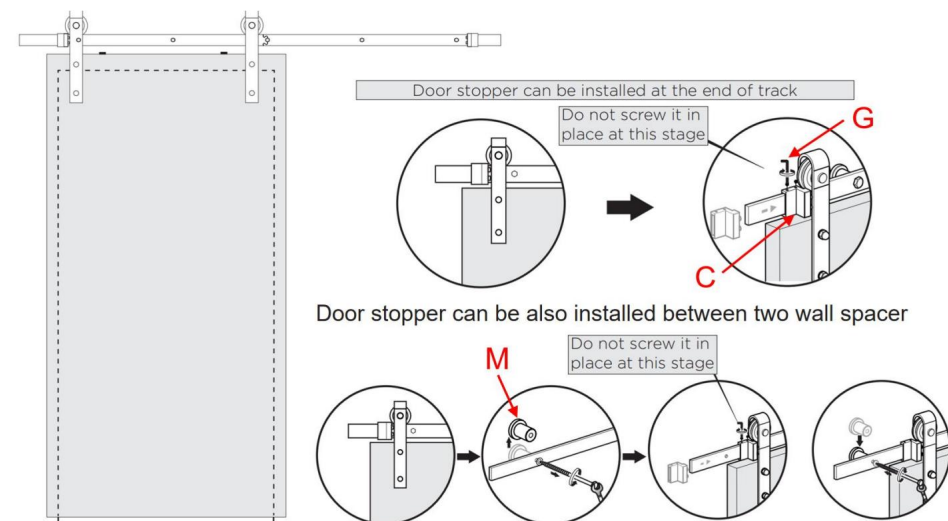
utlösning kan dörrstopparna C röra sig mot mitten av skenan.

När dörrstopparna C blockeras av väggdistansen M och inte kan röra sig, kan du

ta bort väggdistansen M, flytta till lämplig position och sedan

montera tillbaka dörrstopparna M till utgångsläget.

Dörrstoppare kan även installeras mellan två väggdistanser



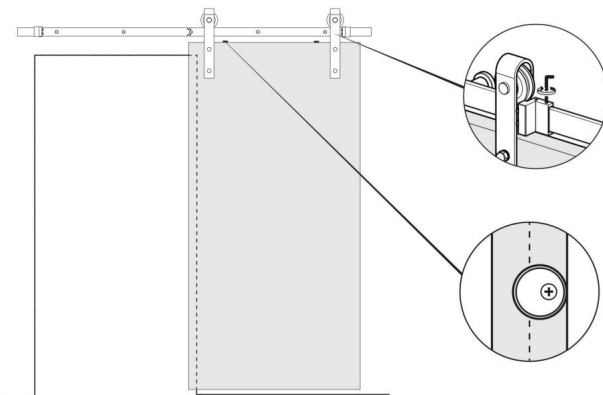
Steg-9

Slutkontroll av dörrstoppar och anti-hoppblock.

Kontrollera att dörrstopparna är korrekt placerade och åtdragna på plats av

Insexnyckel G.

Kontrollera också att anti-hoppblocken är korrekt roterade och åtdragna.

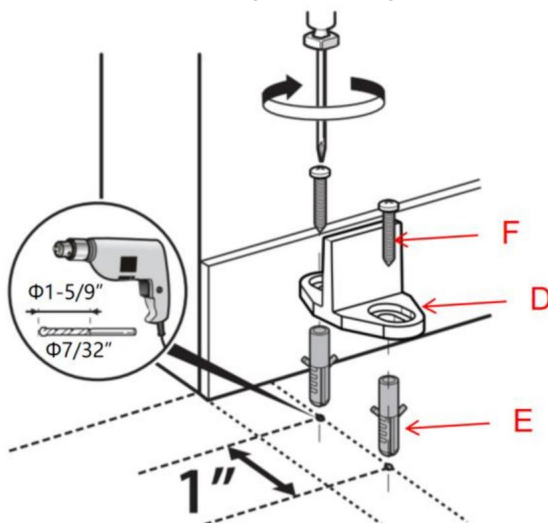


Steg-10

Installera golvguiden D.

10.1. Sätt först golvstyrningen på golvet i lämpligt läge, skjut dörren så att spetsen på golvstyrningen kan fungera bra i skåran i dörrens botten. Markera sedan 2 hål i golvstyrningen. Sedan markerar två skruvhål genom golvstyrningen två punkter på golvet.

10.2. Använd $\frac{7}{32}$ " borrhål för att borra hål med ett djup på 1,375 tum på golvmärket; Sätt sedan plastexpansionsbult E i golvhålet; Skruven F passerar genom skruvhålet på golvstyrningen D och installeras i plastexpansionsbulten E för att slutföra installationen av golvstyrningen D.



Tillverkare: Shanghaimuxinmuyeyouxiangongsi **Adress:**

Shuangchenglu 803nong11hao1602A-1609shi, baoshanqu, shanghai 200000 CN.

Importerad till AUS: SIHAO PTY LTD. 1 ROKEVA STREETEASTWOOD NSW 2122

Australien

Importerad till USA: Sanven Technology Ltd. Suite 250, 9166 Anaheim Place,

Rancho Cucamonga, CA 91730



YH CONSULTING LIMITED. C/O YH Consulting Limited

Office 147, Centurion House, London Road, Staines-

upon-Thames, Surrey, TW18 4AX



E-CrossStu GmbH

Mainzer Landstr.69,

60329 Frankfurt am Main.

VEVOR®

TOUGH TOOLS, HALF PRICE

Teknisk support och e-garanticertifikat

www.vevor.com/support