

PRESTIGE®

Ventilation Hoods

Use & Care Manual

Intended for Residential Cooking Only

READ AND SAVE THESE INSTRUCTIONS

Installer: Leave this manual with homeowner.
Homeowner: Use and Care information inside.

Prestige America Ltd.
25 Riverside Dr. Suite 4
Pine Brook, NJ 07058

– Table of Contents –

Important Safety Instructions	1-2
Handling Precautions	3
Important Ventilation Information Before You Begin	3
Cleaning and Maintenance	4
Packing List for your Vent Hood	
a) Pro Line Hoods.....	5
b) Pyramid Classic Hoods	5
Planning your Location	
a) Pro Line Hoods.....	6
b) Pyramid Classic Hoods	7
Installation Guide	
a) Pro Line Hoods.....	7-8
b) Pyramid Classic Hoods	8
Installing the Optional Duct Cover (PL Models Only)	9
Installing the Wall Hood Duct Cover (Flue) (PC Models Only)	10
Instructions for Connection of Wall Switch Kit (UIBWSK)	11
Warranty Information	12

Prestige Products Division
Signature Marketing Group Ltd.
25 Riverside Drive Suite 4
Pine Brook, NJ 07058
800-358-8886

-Important Safety Instructions-

PRESTIGE® HOODS ARE FOR RESIDENTIAL USE ONLY!

CAUTION: FOR GENERAL VENTILATION USE ONLY. DO NOT USE TO EXHAUST HAZARDOUS OR EXPLOSIVE MATERIALS OR VAPORS.

1. Use this unit only in the manner intended by the manufacturer. (If you have questions, contact Prestige® at 800-358-8886.)
2. Before servicing or cleaning this unit, switch power off at service panel and lock the panel to prevent power from being switched on by accident. When the service panel cannot be locked, securely fasten a prominent warning device, such as a tag, to the service panel.

WARNING: TO REDUCE THE RISK OF RANGE TOP GREASE FIRE, PLEASE OBSERVE THE FOLLOWING:

1. Never leave surface units unattended at high settings. Boil-overs can cause smoking and may ignite. Heat oils slowly on low heat.
2. Always turn hood ON five minutes prior to cooking to begin airflow.
3. Clean ventilation filters frequently. **DO NOT ALLOW GREASE TO ACCUMULATE ON FAN OR FILTER.**
4. Use proper pan size. Always use cookware appropriate for the size of the burner or element.

-Important Safety Instructions-

WARNING - IN THE EVENT OF RANGE TOP GREASE FIRE, OBSERVE THE FOLLOWING:

1. Smother the flames with a close fitting lid, cooking sheet or other metal tray, and then turn off the burner. **BE CAREFUL TO PREVENT BURNS.** If the flames do not go out immediately, **EVACUATE AND CALL THE FIRE DEPARTMENT.**
2. **NEVER PICK UP A FLAMING PAN.**
3. **MAKE SURE YOUR VENTILATION SYSTEM IS COMPLETELY TURNED OFF. DO NOT TURN HOOD ON TO TRY AND EVACUATE SMOKE.**
4. **DO NOT USE WATER,** including wet dishcloths or towels - a violent steam explosion may result.
5. Use an extinguisher only if:
 - a) You know you have a class ABC extinguisher and you already know how to operate it.
 - b) The fire is small and contained in the area where it started.
 - c) The fire department is being called.
 - d) You can fight the fire with your back to an exit.

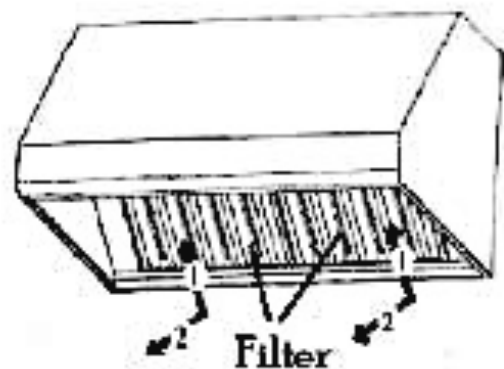
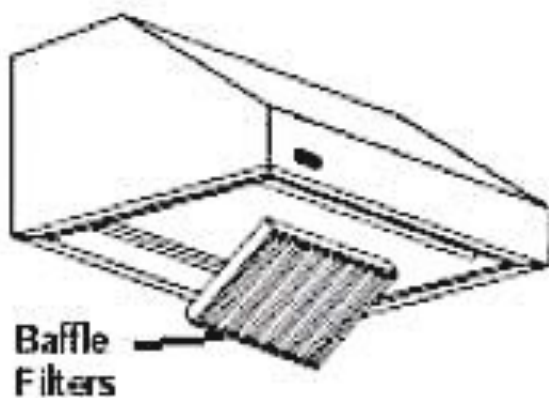
- Handling Precautions -

- Remove all rings, watches, belt buckles, jewelry and any clothing with metal buttons or snaps to prevent damage to hood.
- **DO NOT REMOVE HOOD FROM ITS ORIGINAL CARTON UNTIL YOU ARE READY TO INSTALL IT.**
- When you are ready to begin the installation process, remove the hood from its carton and place it on a clean soft blanket.
- Inspect the hood carefully for any damage or imperfections before you begin to install the hood. If any damage or imperfections exist, re-carton the hood and call your dealer IMMEDIATELY, do not install a damaged hood.
- It is highly recommended that rubber gloves be used to prevent scratches on the hood and to provide you with a firm grip.
- **When removing the hood from the carton locate the filters. The filters are not pre-installed in the hood. The filters are in a box marked filters, inside the hood carton.**
- PL model hoods can be ducted to the top or the rear. Check product guide for additional transitions, wall caps and roof caps.
- Duct size for 600CFM blowers is 6" round and an optional transition model TRC8/6 should be used to increase the duct size to 8" round for optimal performance.
- PL3624, PL4224 and PL4824 require the use of transition model TR6x15/10 (NOT INCLUDED) when using a 1200CFM blower.
- All Prestige® ventilation hoods have a variable speed blower switch as well as a light dimmer switch. See Blower Installation instructions for further information on your installation application.
- PC model hoods can be ducted to the rear with the use of a 90° elbow. (NOT SUPPLIED) Check product guide for additional transitions, wall caps and roof caps.
- PC3024 hoods CANNOT accept the IBPC1200 internal blower. PC3624 & PC4224 hood's duct size is 10" round when using the IBPC1200 internal blower.
- All PC and PL hoods can be converted for ductless applications. See product guide for optional ductless conversion kits.

NOTE TO INSTALLER: To avoid damage that will not be covered under warranty make sure blowers are free from obstructions (packing and debris) prior to running the blowers. Test run blowers before finalizing installation. Check with manufacturer before attempting to use blower systems other than Prestige® blower systems. (800-358-8886 for technical information)

Cleaning and Maintenance

Your hood will not function properly if not cleaned regularly and maintained properly. Clean the filters regularly (at least twice a month or every 24 hours of use) by soaking them in soapy water and rinsing them in the dishwasher at the normal cycle. When the filters are removed, the accessible interior of the canopy can be cleaned of grease, again using only soap and water. Burned out halogen light bulbs are exchanged in the same way as normal light bulbs. Make sure to replace them with the same type and wattage. (Replacement bulbs are Par 16, 60 watt, halogen 115 volt.) Make it a habit to turn on the hood on low speed even when you are only boiling water. The cleaning of the outside of the hood depends on the material used as a decorative exterior. For stainless steel and powder coated metals, clean with soap and water only. **Do not use abrasive or aggressive chemicals!** Check the outside end of the duct at least once a year. Make sure that the back draft damper (sold separately) hinges are free of grease and move easily. If you have an insect screen installed in the duct termination, make sure that it is not broken or dislocated. Filters are dishwasher safe or you may hand wash them with warm soapy water.



INSPECT ALL MOLDED PACKING AND BOXES FOR PARTS BEFORE DISCARDING. ANY DAMAGE MUST BE REPORTED BEFORE INSTALLING THE HOOD. ONCE THE HOOD HAS BEEN INSTALLED, NO RETURN WILL BE ACCEPTED.

Packing List for Pro Line hood series

PL36240, PL42240, - 36" & 42" ducted, 24" depth

Four (4) Stainless Steel Baffle Filters, Two (2) Pre-Installed Lights, Lid for Electrical Box, Use and Care Manual

PL48240 - 48" Ducted, 24" depth

Four (4) Stainless Steel Baffle Filters, Three (3) Pre-Installed Lights, Lid for Electrical Box, Use and Care Manual

Packing List for Pyramid Classic hood series

PC30240, PC36240 & PC42240 - 30", 36" & 42" Ducted

Four (4) Stainless Steel Baffle Filters, Two (2) Pre-Installed Lights, Lid for Electrical Box, Use and Care Manual

Duct Cover packed in separate box (Box 2 of 2).

PC48240 - 48" Ducted

Four (4) Stainless Steel Baffle Filters, Three (3) Pre-Installed Lights, Lid for Electrical Box, Use and Care Manual

Duct Cover packed in separate box (Box 2 of 2).

PC60240 - 60" Ducted

Six (6) Stainless Steel Baffle Filters, Three (3) Pre-Installed Lights, Lid for Electrical Box, Use and Care Manual

Duct Cover packed in separate box (Box 2 of 2)

Planning the location for your Pro Line Hood

Select the proper height to mount the hood. Take into consideration the stature of the person or persons who will be cooking. A height of 30" to 36" above the cooking surface will suit most users. If mounted at a height greater than 36" above the cooking surface, the hood should be at least 6" wider than the cooking appliance to provide a proper capture of heat and grease. (Refer to the range manufacturer's guidelines) Once the proper height is established, draw a level line where the bottom of the hood will rest. If practical, mount a board equal to the width of the hood along the line so you may rest the hood on it while installing.

Mark a centerline on the wall equal to the entire height of the hood to assist with the proper duct alignment and hood placement. Determine stud location and mark it clearly. If only one stud can be located, toggle bolts or additional fastening must be installed to firmly secure the hood to the wall. Install a 115 volt 15 amp electrical lead in the hole marked on the rough-in diagram. (Fig. A) The hole is located on the centerline of the hood. The center of the hole is 3" up from the bottom of the hood and the radius is 7/8".

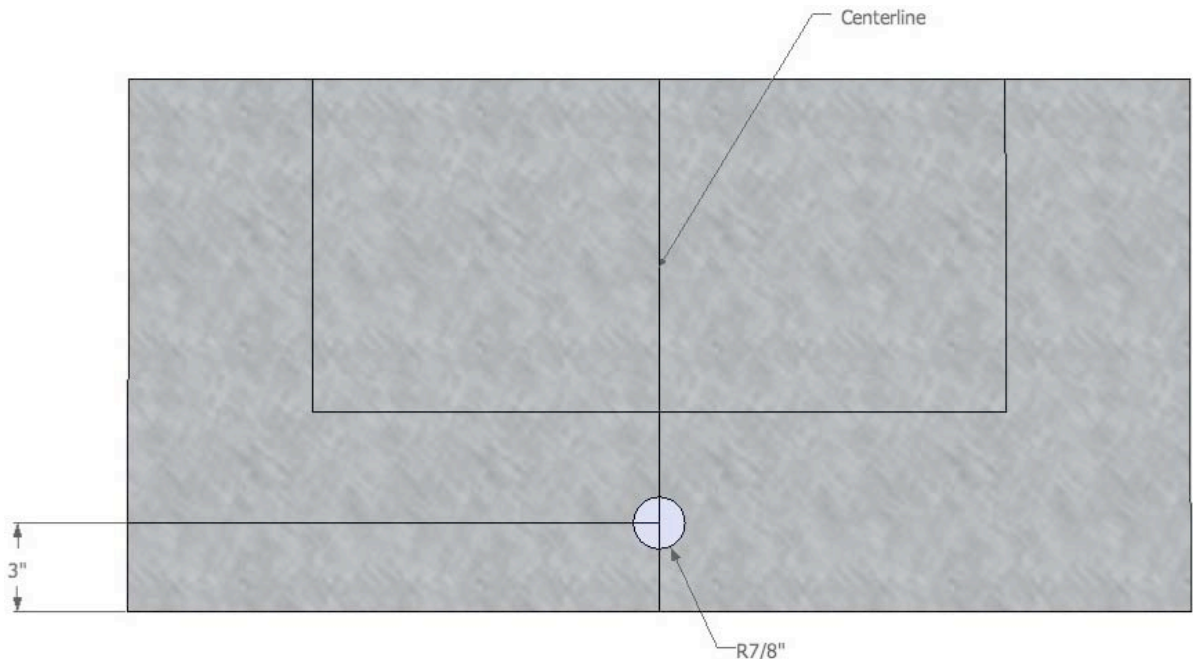
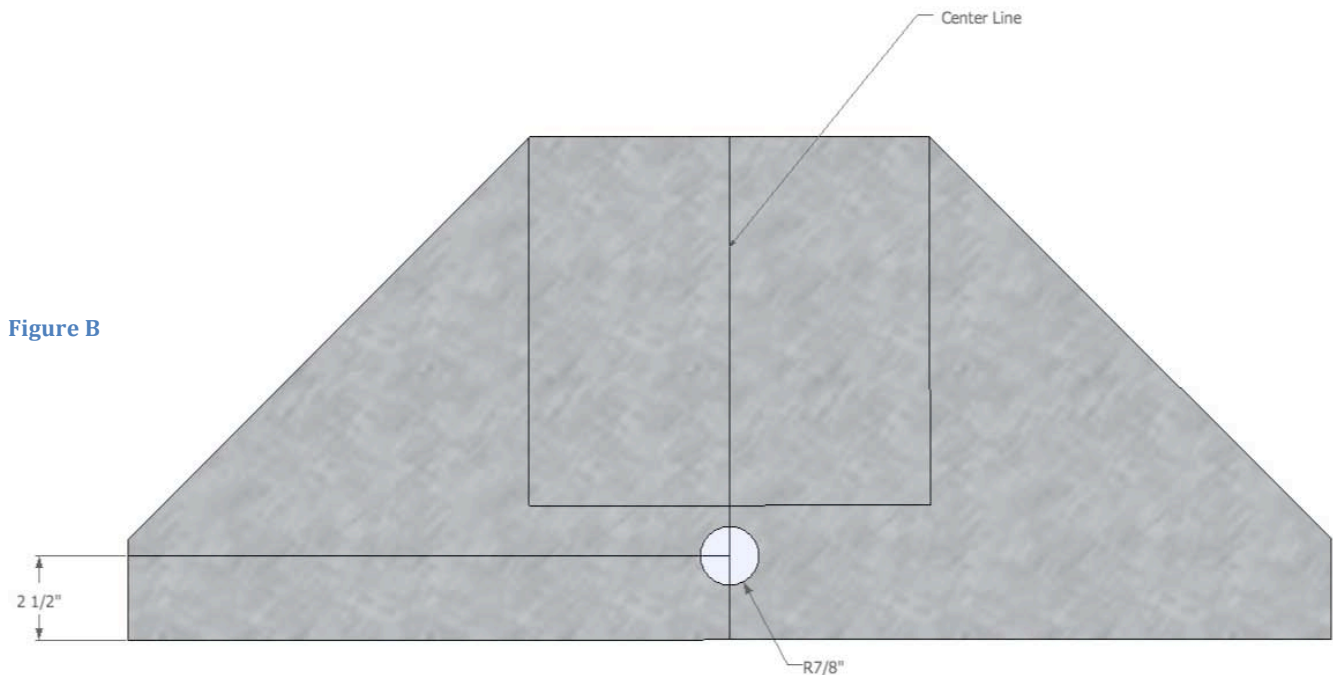


Figure A

Planning the location for your Pyramid Classic Hood

Select the proper height to mount the hood. Take into consideration the stature of the person or persons who will be cooking. A height of 30" to 36" above the cooking surface will suit most users. If mounted at a height greater than 36" above the cooking surface, the hood should be at least 6" wider than the cooking appliance to provide a proper capture of heat and grease. (Refer to the range manufacturer's guidelines) Once the proper height is established, draw a level line where the bottom of the hood will rest. If practical, mount a board equal to the width of the hood along the line so you may rest the hood on it while installing. Mark a centerline on the wall equal to the entire height of the hood to assist with the proper duct alignment and hood placement. Determine the stud location and mark it clearly. If only one stud can be located, toggle bolts or additional fasteners must be installed to firmly secure the hood to the wall. Install the 115 volt 15 amp electrical lead in the hole marked on the rough-in diagram (Figure B). The hole is located on the centerline of the hood. The center of the hole is 2½" up from the bottom of the hood and the radius is 7/8"



Blower Installation Guide for your Pro Line hood

Installation of Internal Blower Kit (IBPL600, IBPL1200, IBPC600, IBPC1200)

Remove shipping bracket from hood. DO NOT DISCARD SCREWS! Install blower bracket with the screws removed from the shipping bracket. Locate connector on motor wiring and connector on hood located near the electrical box. Plug motor connector into hood connector.

Installation of In-Line or Remote blower

Using the harness supplied with your Prestige® in-line or remote blower, plug into connector located near canopy electrical box. Make all connections between supplied harness and wiring connected to the blower using wire nuts (not included) inside of canopy electrical box.

-Making the Electrical Connection-

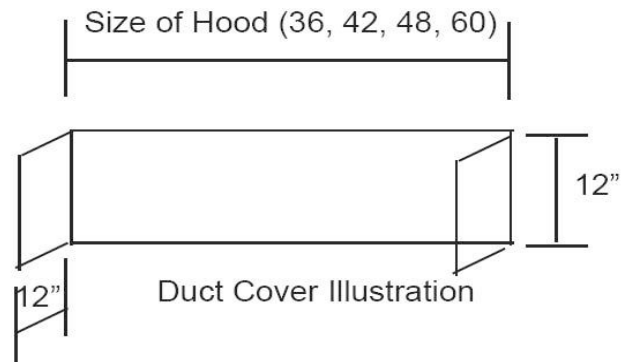
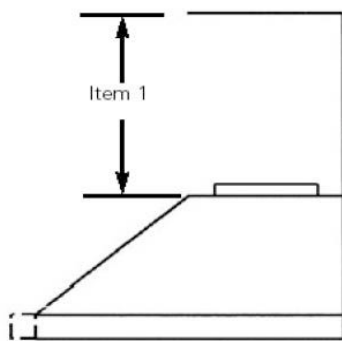
A licensed electrician should make all electrical connections

Connect wires from 115V supply using wire nuts (not supplied). Connect ground lead to supplied ground screw inside the electrical box. Secure cover onto electrical box. Test for proper function.

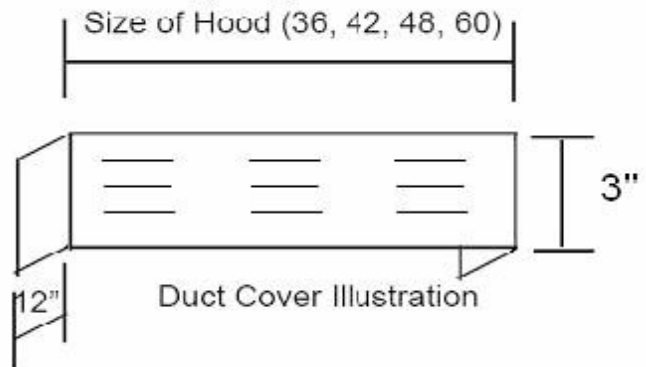
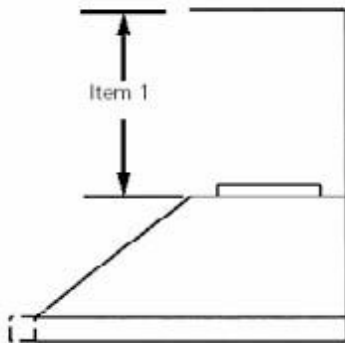
-Installing the Optional Wall Hood Duct Cover (PL & DF Models Only) Pro Line Hood Duct Cover-

Duct Free Hood Duct Cover

** Slide the duct cover in place and fasten from inside canopy using sheet metal screws. **



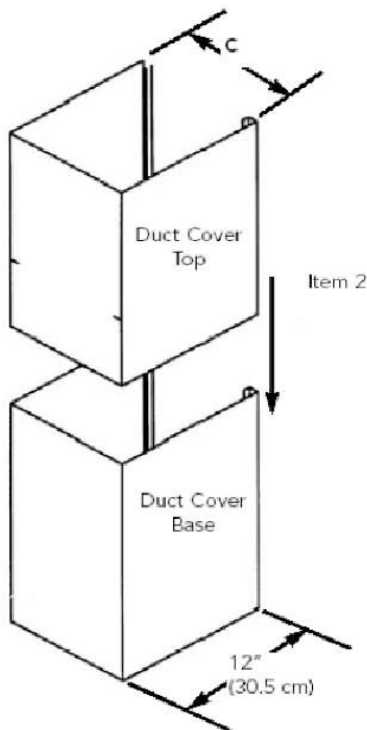
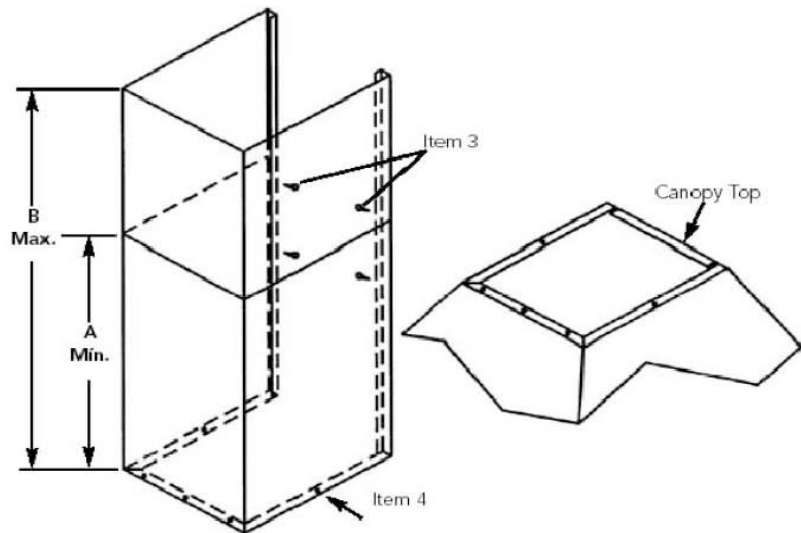
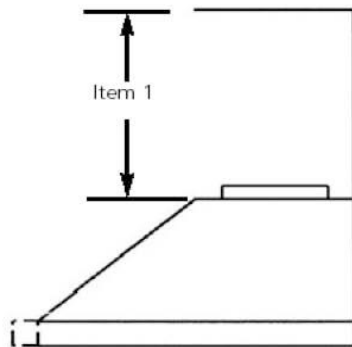
** Slide the duct cover in place and fasten from inside canopy using sheet metal screws. **



-Installing the Wall Hood Duct Cover (Flue) (PC Models Only)-

1. Measure from top of the canopy to ceiling and subtract 1/8" for clearance.
2. Place the duct cover top inside the duct cover base and lower until desired height is found. (To eliminate scratches, make a mark on the duct cover top for the desired lowering point by subtracting 15" from the total height needed.)
3. Use the retaining screws to fasten in place.
4. Slide the duct cover in place and fasten from inside canopy using the sheet metal screws provided.

NOTE: For installations with ceilings above 9', use optional custom flues. See product literature for details.



<u>Model</u>	<u>"A" Minimum</u>	<u>"B" Maximum</u>	<u>"C"</u>
PC3024	15"	12"	12"
PC3624	15"	12"	12"
PC4224	15"	12"	15"
PC4824	15"	12"	18"

-Instructions for connection of Wall Switch Kit (UIBWSK)-

1. Disconnect Fan and Light switches from the canopy wiring harness.
2. Connect Fan and Light switches to harness supplied with Prestige® wall switch kit
3. Make all electrical connections between supplied harness and wires for wall switch inside of canopy electrical box.
4. Before hanging your hood and wall switch kit, be sure that the connections made are fully operational.

***Be sure to have a licensed electrician make all connections to prevent electric shock. By using a Wall Switch Kit you will render the on-board controls of your ventilation hood non-operational. ***



Prestige® Wall Switch Kit

Warranty Information

Prestige® will warranty all parts and related labor to replace them for a term of one (1) year. The one (1) year warranty period applies to the actual parts and NORMAL labor and excludes all other costs, removal and re-installation.

One-year service repair warranty:

During the first year from date of original purchase, Prestige® will, at its option, repair or replace, without charge, any product or part which is found to be defective under normal use and service.

Who is covered?

Prestige® warrants to the ORIGINAL CONSUMER PURCHASER of its products that such products will be free from defects in materials and workmanship for a period of one (1) year from the original date of purchase. There are no other warranties, express or implied, including, but not limited to, implied warranties of merchantability or fitness for a particular purpose or application.

What is NOT covered?

Items NOT covered in the warranty include: light bulbs, items fabricated to customer design, consequential damage, removal and re-installation, abnormal travel outside the service area, including but not limited to: remote area transport, ferries or excessive mileage. If any of these situations apply, the customer will be responsible for payment in full and said exclusion.

For any questions or concerns please contact the following:

Prestige America Ltd.

25 Riverside Dr. Suite 4

Pine Brook, NJ 07058

800.358.8886