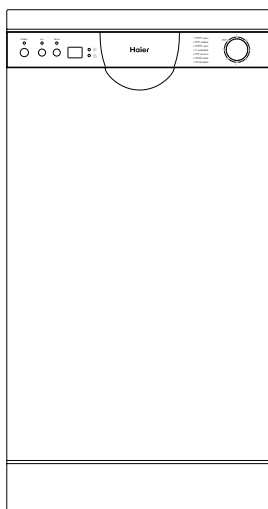


# Haier

Dishwasher  
TFE3 Series  
Instructions for Use



HDW9-TFE3WH

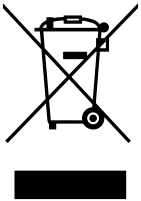
HDW9-TFE3SS


0120505889A

en

Safety information	2
Installation	4
Getting to know your appliance	11
How to fill the rinse aid container	12
How to fill the detergent dispenser	13
Non-Dishwasher Items	14
Arranging crockery, glasses, etc. in the dishwasher	15
Programme overview	16
Washing dishes	17
Care & Maintenance	20
Trouble shooting	22
Technical data	27
Important information	27

## Disposal



The symbol  on the product or on its packaging indicates that this product may not be treated as household waste. Instead it should be handed over to the applicable collection point for the recycling of electrical and electronic equipment. By ensuring this product is disposed of correctly, you will help prevent potential negative consequences for the environment and human health, which could otherwise be caused by inappropriate waste handling of this product.

For more detailed information about recycling of this product, please contact your local council, your household waste disposal service or the shop where you purchased the product.

## At time of delivery

- Check packaging and dishwasher immediately for signs of transport damage. If the appliance is damaged, do not use it and contact the retailer or our approved customer service department without delay.
- Please dispose of packaging materials properly.

## During installation

- Unpack the dishwasher and connect in accordance with the installation instructions.
- The dishwasher must not be connected to the electricity supply while installation is being carried out.
- Ensure that the domestic wiring is properly earthed.
- The mains electricity supply must conform to the details shown on the dishwasher rating plate.
- Do not connect the dishwasher to the electricity supply using an extension cable.
- After the appliance has been installed, the mains plug should still be easily accessible.
- During installation, the power cable must not be excessively or dangerously kinked or flattened.
- This appliance cannot be installed outdoors, even if the area in which it is installed is covered by a roof. It is very dangerous to leave the appliance exposed to rain and the elements.

## During normal use

- The dishwasher must only be used by adults for the washing of household dishes and cooking utensils.
- Do not place any heavy objects on the door or stand on the door when it is open. The appliance could tip forward.
- The water inside the dishwasher is not suitable for drinking.
- Do not use solvents of any kind inside your dishwasher. There is a risk of explosion.
- Open the door carefully if the dishwasher is operating. Steam or Hot Water may come out of the door.
- Fundamental rules to follow when using the appliance:
  - Never touch the dishwasher when barefoot or with wet hands or feet.
  - Do not use extension cords and multiple sockets.
  - If the appliance is not operating properly or maintenance must be performed, disconnect the appliance from the power supply.

## If your family includes children or the infirm

- The appliance is not intended for use by young children or infirm persons without supervision.
- Keep detergents out of the reach of children.

## If a fault occurs

- If the appliance malfunctions, turn off the water supply to the appliance, switch it off and disconnect the plug from the wall socket. Then, consult the section entitled "Trouble shooting". If you cannot solve the problem, contact a service centre.
- Only specialised personnel are authorised to make repairs.
- If the power cable is damaged, it must be replaced by the manufacturer or a manufacturer-approved service engineer.
- To maintain the EFFICIENCY and SAFETY of this appliance, we recommend:
  - Call only the service centres authorised by the manufacturer, or the approved service agents.
  - Always use original spare parts.

## When disposing of old appliances

- Appliances which are no longer being used must be made inoperable by disconnecting the plug from the wall socket, cutting the power cable and removing the door lock.
- Take the appliance to a designated waste disposal centre.



**Dangerous voltage**



### **Warning**

**Children could get locked or stuck in the appliance (risk of suffocation). Therefore, remove the mains plug and cut the mains wire.**

**The door locking mechanism should also be removed/destroyed to ensure children cannot be trapped in the appliance.**

## Before you start

### Safety and compliance

- These instructions are intended as a guide only. It is the responsibility of the installer to ensure that installation complies with applicable regulations and local government by-laws.
- Installation must be performed by a suitably qualified person. Incorrect installation or malfunctioning resulting from incorrect installation are not covered by warranty.
- Carefully read through the 'Safety and warnings' section of this document.
- The dishwasher must not be connected to the electrical supply while it is being installed. Ensure all domestic wiring is properly earthed.
- If an old appliance is being replaced, make sure it is disposed of properly. To avoid children getting trapped or injured while playing with an old appliance, ensure you remove any doors, door locks and cables from it.
- In order to ensure that the dishwasher is stable, it must be installed under a continuous surface which is attached to adjacent cupboards.

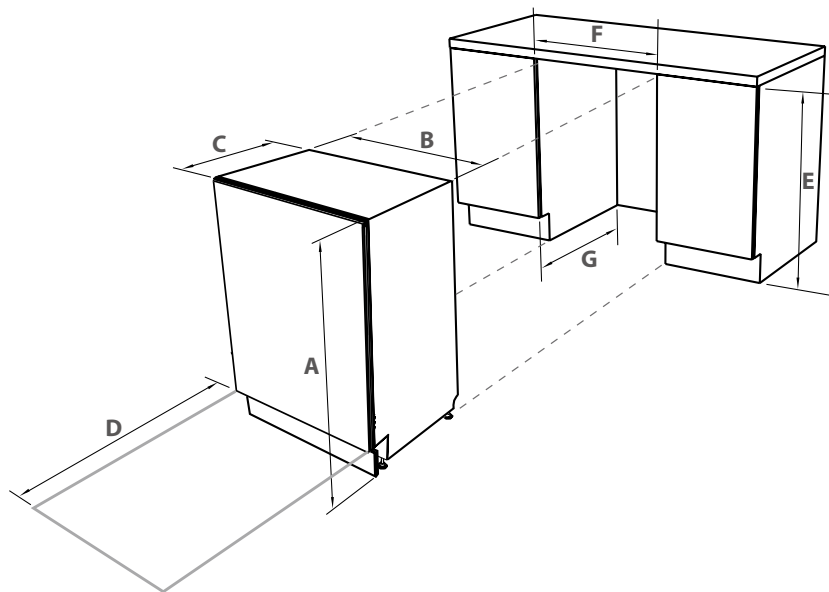
### Unpacking and handling

- Check packaging and dishwasher for signs of transport damage. If the dishwasher is in any way damaged, do not install it. Contact the dealer the dishwasher was purchased from.
- Disposal of packaging: some of the packaging is recyclable. Check the symbols and labels and recycle if possible.
- Never lift the dishwasher from the door handle or the top panel. Doing so may cause damage. Always be careful with the hoses and power cord at the back of the dishwasher. Careful handling will prevent damage and malfunction from squashing, kinking or cuts.
- While installing the dishwasher, check the drain hose is not restricted or kinked.

### Connections and services

- Check that the power cord is long enough to reach the outlet. If it isn't, it must be replaced by a Haier authorised technician. Extension cords or multi-outlet power boards should not be used to connect the dishwasher to the power supply.
- Check that the hoses are long enough to reach the services. If a hose needs extending, ensure that the extension hose is new and of equal quality and diameter to the one already fitted.  
Note: the drain hose should not be longer than 4 m, as a longer drain hose will cause reduced performance.
- The dishwasher should not be connected to a water system where the temperature exceeds 60°C, or where there is no temperature control, e.g. wetback system, unless the system is fitted with a suitable tempering valve.
- The dishwasher must not be connected to an undersink high-pressure "push-through" type hot water system, as damage to the system will result.

## Product and cabinetry dimensions



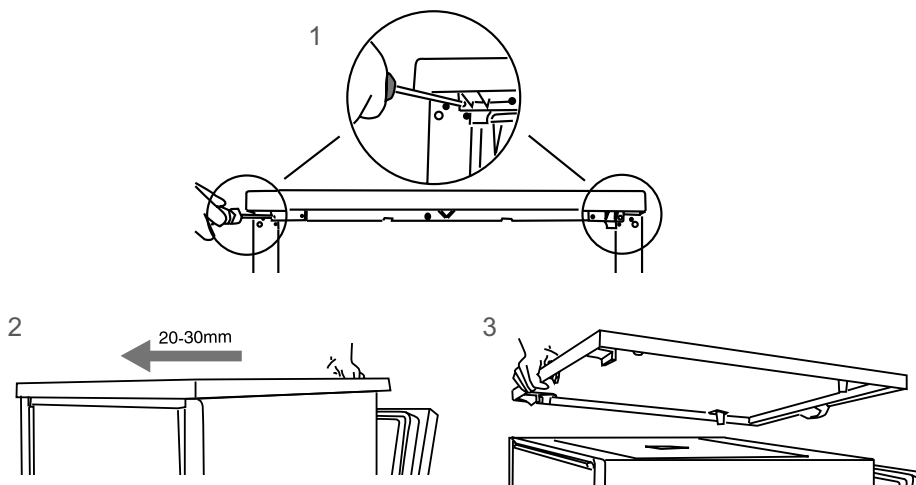
Product dimensions (mm)		
A	overall height of product with top panel in place with top panel removed*	850 (min) -870 (max)** 820 (min) -840 (max)**
B	overall width of product	450
C	overall depth of product	600
D	depth of open door (measured from front of kickstrip)	595
Cabinetry dimensions (mm)		
E	inside height of cavity with top panel in place with top panel removed*	855 (min) -875 (max)** 825 (min) -845 (max)**
F	inside width of cavity	455
G	inside depth of cavity	605

\* The top panel may be removed to suit underbench cavity height. See instructions further below.

\*\*Depending on feet height adjustment.

## Preparing the product and cabinetry

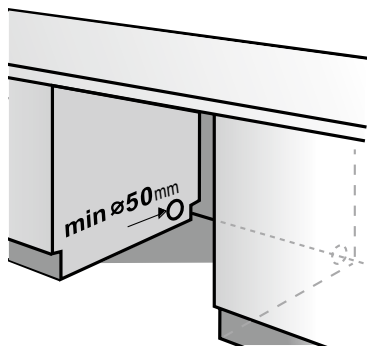
- The top panel may be removed to suit underbench cavity height. See the illustrations below.



### Important!

To prevent possible steam damage to the cabinetry, ensure that any bare wood surrounding the dishwasher is sealed with an oil-based paint or moisture-proof polyurethane.

- Services can be located either side of the dishwasher. Ensure that the services hole has a minimum diameter of 50 mm.

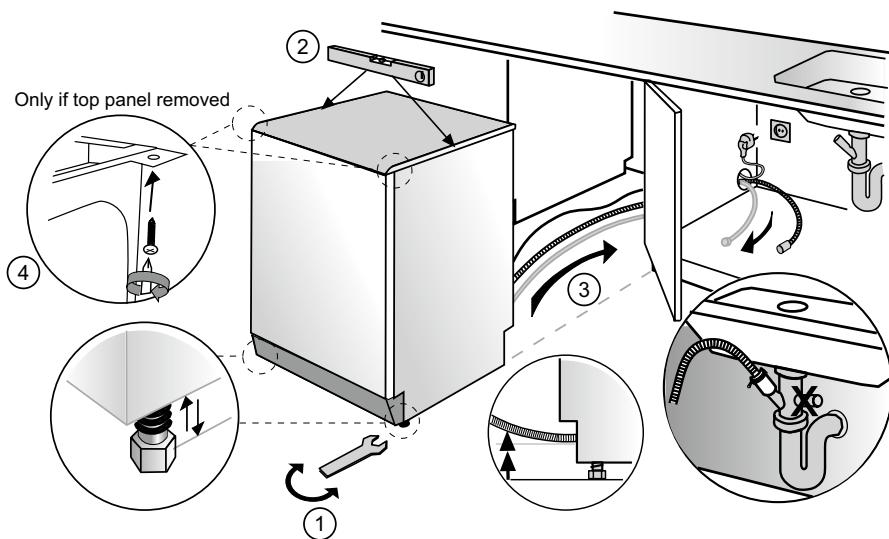


## Levelling and positioning the dishwasher

- Before sliding the dishwasher into position, adjust the feet with a spanner (1) to ensure that the dishwasher is level (2) and the required height.
- Do not lift the dishwasher from the door handle or top panel.
- Position the dishwasher in the cavity, ensuring that the hoses and power cord don't get bent, crimped, or trapped under the dishwasher in the process (3).
- If you install the dishwasher with the top panel removed, we recommend that you fix the dishwasher to the bench using the top brackets, as shown (4).

### Important!

Ensure that you do not damage the bench by using fixing screws that are too long for it.



## Plumbing -- Waste connection

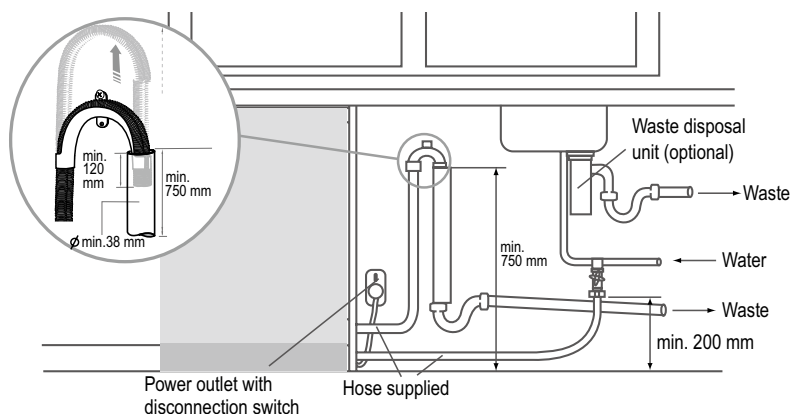
These drainage options are designed to eliminate problems that occur with combined sink-dishwasher waste systems.

### Drainage option A: Separate sink and dishwasher waste systems

- The standpipe must have a minimum diameter of 38 mm and stand 750 mm above the floor.
- Use the supplied drain hose support to hold the drain hose in place in the standpipe.

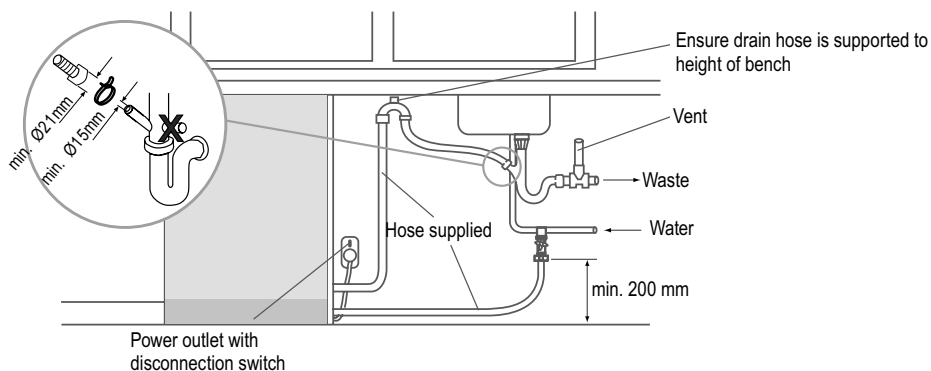
### Important!

We do not recommend connecting the drain hose or drain pipe directly to a built-in waste disposal unit.



### Drainage option B: Combined sink and dishwasher waste systems

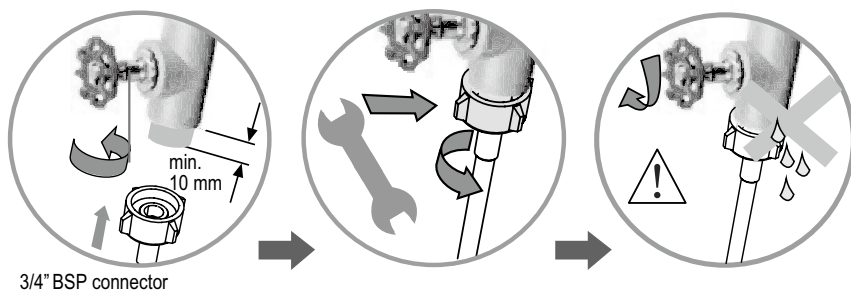
- When connecting the drain hose to a sink trap with a drain hose spigot, make sure that the drain hose is supported to the height of the bench.
- Ensure the drain spigot has a minimum hole diameter of 15 mm and it has been drilled out.
- Secure the drain hose connection with the clip supplied.



## Plumbing -- Water inlet connection

### Important!

- The appliance should be connected to the water main using the new water inlet hose supplied. Old hoses should not be used.
  - Do not shorten the inlet hose.
- 1 Take note of water connection requirements.
    - The dishwasher has a single valve water connection.
    - We recommend a cold water connection for best performance and energy efficiency.
    - The incoming water temperature should not exceed 60°C.
  - 2 Take note of the permitted water pressure extremes.
    - Lowest: 0.3 bar = 3 N/cm<sup>2</sup> = 30kPa
    - Where pressure is below 1 bar, contact a qualified plumber.
    - Highest: 10 bar = 100 N/cm<sup>2</sup> = 1MPa
    - Where pressure is above 10 bar, a pressure reduction valve must be installed. Contact a qualified plumber.
  - 3 Connect the water inlet hose to an accessible water tap with a 3/4" BSP connector. Ensure that there is no kink in the inlet hose that could restrict the flow of water. A 90° bend requires a minimum height of 200 mm for a kink-free curve.
    - Ensure incoming water is clear. If the water pipes have not been used for a long period of time, let the water run to make sure it is clear with no impurities. Not doing so may result in the water inlet hose getting blocked and damaging the appliance.
    - If required, use a filter insert to filter out deposits from the piping. The filter insert is available from your Authorised Service Centre or Customer Care.
  - 4 Tighten the hose coupling a further half turn after seal contact.
  - 5 Check that the connection does not leak.



## Electrical connection

- The dishwasher must not be connected to the electrical supply while installation is being carried out. Ensure all domestic wiring is properly earthed.
- Check the rating label and ensure that the voltage and frequency values for the current in the house correspond to those on the rating label.
- Insert the plug into a properly earthed power outlet that has a disconnection switch.

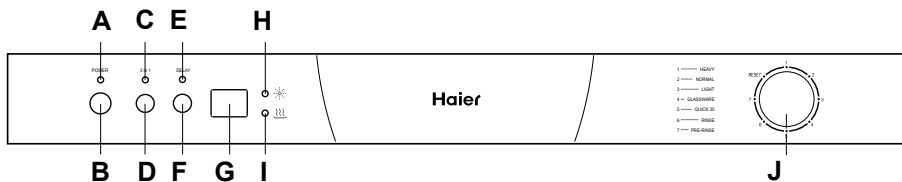
### Important!

- The earthing of the appliance is a safety requirement mandated by law.
- If the power cord is not long enough to reach the outlet or the outlet to which the appliance must be connected is not appropriate for the plug, the entire dishwasher power cord must be replaced. This should only be done by a Haier authorised technician. Do not modify or cut the plug. Do not use an adaptor, extension cord, or multi-outlet power board to connect the dishwasher to the power supply, as these could cause overheating and create a fire hazard.
- The outlet into which the dishwasher is plugged must remain easily accessible (e.g. in an adjacent cabinet) even when the appliance is installed. This is to ensure that the dishwasher can be disconnected from the power supply for safe cleaning and maintenance.

### Installer final checklist

- Check that the door opens and closes freely without resistance to adjacent cabinetry.
- Check that the plug is accessible.
- Check that the dishwasher is level. If necessary, adjust the levelling feet slightly. To ensure optimum performance, the dishwasher should not be inclined more than 2°. Check with a spirit level.

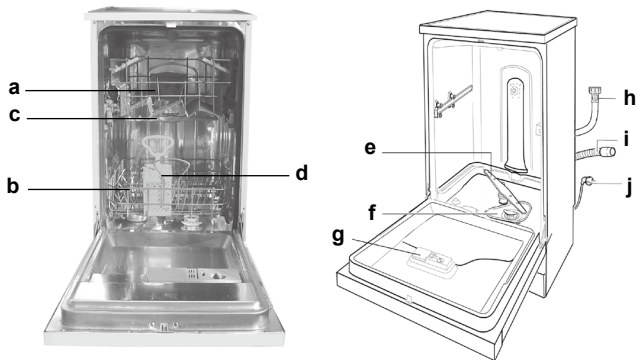
## Close-up view (control panel)



- A** ON-OFF Indicator
- B** ON-OFF Button
- C** "3 in 1" Indicator
- D** "3 in 1" Button
- E** Delayed Start Indicator

- F** Delayed Start Button
- G** Time-remaining Indicator
- H** Low Rinse Aid Indicator
- I** Heater Indicator
- J** Programme Selection Dial

## Dishwasher interior



- a** Upper Rack
- b** Lower Rack
- c** Top Spray Arm
- d** Silverware Basket
- e** Bottom Spray Arm

- f** Washing Filter
- g** Detergent and Rinse Aid Dispenser
- h** Water Inlet Hose
- i** Drain Hose
- j** Power Supply Cord

## Rinse aid

This product makes dishes sparkle and helps them to dry without spotting.

The dispenser is located on the inside panel of the door.

When the low rinse aid indicator lights up on the control panel (see Fig.A), you must add rinse aid.

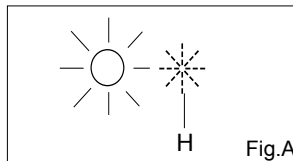


Fig.A

## Adding rinse aid

Regardless of the type of detergent dispenser installed on your appliance, you must proceed as indicated below when loading the rinse aid.

To open the dispenser, turn the cap "2" in an anti-clockwise direction (see Fig.B) and then pour in the rinse aid, making sure not to overfill. The amount of rinse aid used for each cycle can be regulated by turning the dose adjuster "3", located beneath the cap "2", with a screwdriver. There are 6 different settings; the normal dosage setting is 3.

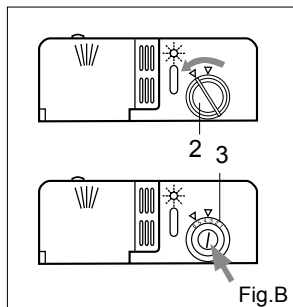


Fig.B

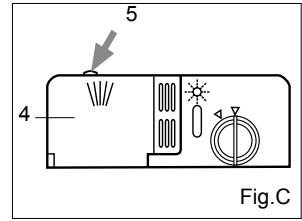


### Important

Correct dosage of rinse aid improves drying. If drops of water remain on the dishes or spotting occurs, the dosage adjuster should be turned to a higher setting. If the dishes have white streaks, turn the dosage adjuster to a lower setting.

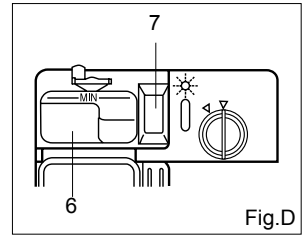
## Detergent

Detergent specifically intended for use with dishwashers must be used. The dispenser must be refilled before the start of each wash cycle following the instructions provided in the "Programme overview". The detergent dispenser is located on the inside panel of the door.



## Adding detergent

- To open cover "4" on the dispenser, press button "5". See Fig C and D.
- The detergent for the wash cycle should be poured into compartment "6".
- The detergent for the pre-wash cycle should be poured into compartment "7".
- After the detergent has been placed in the dispenser, close the cover and press down until it clicks into place.



### Notice:

To facilitate closing the cover, remove any excess detergent on the edges of the dispenser.

## What you should not put into the dishwasher

- Cutlery and tableware manufactured in whole or part from wood. These will become faded and deteriorate quickly. Furthermore, the adhesives that are used are not suitable for the temperature inside the dishwasher.
- Delicate decorative glassware and vases, special antique or irreplaceable china. The decorative patterns on such items will not be dishwasher-proof.
- Plastic objects that are not resistant to hot water, copper and pewter utensils are also not suitable.
- Items with decorative patterns printed or painted onto the surface of crockery, glasses, etc.
- Aluminium and silver items tend to become discoloured or faded if washed in the dishwasher.
- Some types of glass can become opaque in appearance after they have been washed many times in a dishwasher.
- Highly absorbent materials, such as sponges and towels, should never be placed in the dishwasher.

## Our recommendation

In the future, only purchase table or kitchenware that is dishwasher-proof.



### Important

**Items that have been soiled by tobacco ash, wax, lubricating grease or paint, should not be put in the dishwasher.**

## Damage to glassware and other dishes

### Possible causes

- Type of glass or manufacturing process.
- Chemical composition of detergent.
- Water temperature and duration of dishwasher programme.

### Suggested remedy

- Use glassware or porcelain dishes that have been marked 'dishwasher-proof' by the manufacturer.
- Use a mild detergent that is described as 'kind to dishes'. If necessary, seek further information from detergent manufacturers.
- Select a programme with a low temperature and as short a duration as possible.
- To prevent damage, take glass and cutlery out of the dishwasher as soon as possible after the programme has ended.

Before placing the dishes in the dishwasher, remove the larger food scraps to prevent the filter from becoming clogged. If the pots and pans have baked-on food that is extremely hard to remove, we recommend they are soaked before washing. This will eliminate the need for extra wash cycles.

Pull out the rack to load the dishwasher.

## The lower rack

Place the most difficult to clean items on the bottom rack: pots, pans, lids, serving dishes and bowls.

It is preferable to place serving dishes and lids on the sides of the racks in order to avoid blocking the rotation of the top spray arm.

- Pots, serving bowls, etc. must always be placed face down.
- Deep pots should be tilted to allow the water to flow out.

## The upper rack

The upper rack is designed to hold more delicate and lighter dishes, such as glasses, cups and saucers, plates and small bowls.

- Stand glass or cups so they do not fall down during wash cycle.
- To adjust the height of the upper rack, rotate the caps located on the end of the rack guide rails to the side, remove the rack completely and refit using the alternate set of wheels (see fig.G).

**Adjust the upper basket to the higher level to allow more height in the bottom basket for large items.**

## Information on comparability tests implemented in compliance with AS/NZS 2007

Appliance loaded in accordance with standard specifications.

Example of loaded dishwasher: See fig. E1 and E2.

Capacity: 9 place settings

Comparability programme: NORMAL

Rinse-aid setting: 5

Detergent: 22+4.25g

Height-adjustable top-basket must be inserted in the uppermost position. If the comparability tests do not comply fully with AS/NZS 2007, e.g., degree of soiling, type of dishes and cutlery, etc., contact the appliance manufacturer before starting the test.

Lower Rack

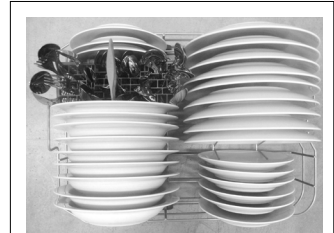


Fig.E1

Upper Rack

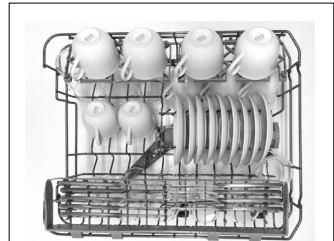


Fig.E2

Load for 9 Standard Settings

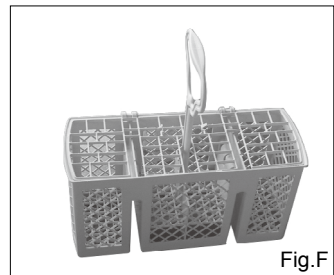


Fig.F

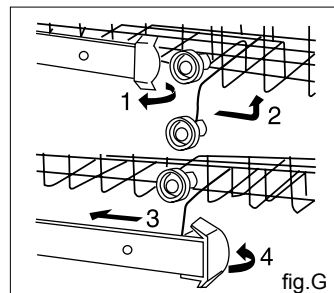


fig.G

Wash programme	Types of load	Description of cycle	Detergent		Rinse Aid
			Prewash	Extended Wash	
HEAVY	Very dirty dishes, pots and pans. (Not to be used with delicate items.)	Pre-wash with hot water. Extended wash at 68°C. Rinses with cold water. Rinse with hot water. Drying.	5g	25g	●
NORMAL	Normal load of dirty dishes, pots and pans, Standard daily cycle.	Pre-wash use cold water. Extended wash at 55°C. Rinse with cold water. Rinse with hot water. Drying.	5g	20g	●
LIGHT	Lightly soiled delicate items.	Pre-wash use cold water. Extended wash at 45°C. Rinse with cold water. Rinse with hot water. Drying.	5g	25g	●
GLASSWARE	Economic cycle for delicate items. Run immediately after dishes are used.	Wash at 45°C. Rinse with cold water. Hot rinse. Drying.	—	25g	●
QUICK 30	Very lightly soiled mixed dishes.	Short wash at 40°C. Cold rinse.	—	15g	●
RINSE	For dishes that only require a rinse and dry.	Hot rinse at 65°C. Drying.	—	15g	●
PRE-RINSE	Pre-rinse of dishes while waiting for a full load.	Short cold wash to prevent food residue from drying on the dishes.	—	—	—

When the programme is finished leave the door open 30° (approximately 100mm) to improve the drying performance.

“●” be able to applied      “—” not to be applied

## Programme selection

The most appropriate programme can be identified by comparing the type of crockery, cutlery, etc., and the amount and condition of food residue, with the details contained in the programme overview. The corresponding programme sequence, duration and consumption details are shown in the right half of the overview. For example:

Use the “normal” programme for dishes and utensils that are not heavily soiled, and are typically a mix of plates, glasses and cutlery.

## Make savings

If only a small number of dishes have been loaded into the dishwasher, selecting a programme that operates at the next lowest temperature will usually be sufficient.

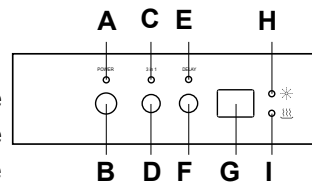
## Programme data

The stated programme data are based on standard operating conditions. The values can vary considerably according to:

- Amount of dishes.
- Temperature of mains water supply.
- Pressure of mains water supply.
- Ambient temperature.
- Fluctuations in mains voltage.
- Machine-related factors (e.g. temperature, water volume).

## Switching the dishwasher ON

- Close the door after loading the appliance.
- Set On-Off button "B" to On. The indicator light "A" comes on.
- Rotate the dial to select the required programme. The time-remaining indicator displays the time required for the programme you have selected. After 3 seconds the appliance emits a short warning signal, and starts the programme. The indicator light "A" starts to blink.



### Warning

When the dishwasher is on, if the programme to which the dial is pointing cannot be carried out, you must rotate the dial to another programme and then back to the programme you require.

## End of programme

- Six beeps will indicate that the wash cycle has finished and the indicator light "A" comes on.

## Switching the dishwasher OFF

Several minutes after the programme has ended:

- Set On-Off button to Off.
- Open the door.
- Remove dishes, etc. when they have cooled down.



### Notice:

If the programme is already underway press the ON-OFF button "B" for 3 seconds. All of the settings will be cancelled.

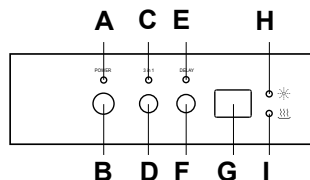
## Interrupting the programme

- Open the door. Caution! There is a risk of water coming out from inside the appliance. Do not open the door fully until spray arm has stopped rotating.
- When you open the door, the dishwasher will beep ten times every thirty seconds until door is closed or programme cancelled.
- If the appliance has already heated up or the hot water was switched on and then the appliance door was opened, leave the door ajar for several minutes before closing. Otherwise, the appliance door may not close properly due to expansion.

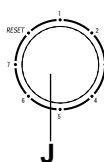
## Delayed start programming

You can delay the start of a programme in increments of 1 hour up to 24 hours.

- Close the door after loading the appliance.
- Switch dishwasher ON.
- Immediately press the delayed start button "F". The delayed start indicator "E" blinks and the time remaining indicator "G" changes to "1h".
- Press the delayed start button for 2 seconds until the numerical display shows the required delay.
- To cancel the time delay setting, press the delayed start button until the delayed start indicator "E" goes out.
- Rotate programme dial "J" to select the desired programme.



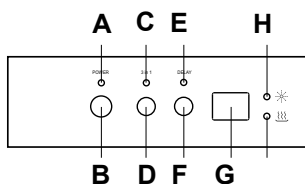
- 1 — HEAVY
- 2 — NORMAL
- 3 — LIGHT
- 4 — GLASSWARE
- 5 — QUICK 30
- 6 — RINSE
- 7 — PRE-RINSE



- After 3 seconds the delayed start indicator "E" blinks. The time-remaining indicator "G" will also blink. The programme will start when both lights fade.

## Cancelling or modifying a cycle

- A cycle that is underway can be modified if it has only been running for a short time. Otherwise, the detergent may have already been used and the appliance may have already drained the wash water. If this is the case, the detergent dispenser must be refilled (see the paragraph entitled, "Adding Detergent").
- To modify a cycle that is already underway, follow the instructions contained in the paragraph entitled "Reset function" and select the programme you require (see the paragraph entitled "Switching the dishwasher ON").



## 3 in 1 function

When using "3 in 1" combination products, the rinse-aid lights are no longer relevant. It may be helpful to select the lowest possible setting for water hardness.

If you decide to switch to using a standard detergent system we advise you to:

- 1: Refill both the rinse aid compartments.
- 2: Switch the water hardness setting to the highest possible position and run for three normal cycles with the appliance left empty.
- 3: Re-adjust the water hardness setting again according to the conditions for your region.



### Warning

Do not place the tablets in the cutlery basket as this will result in poorer wash results. The tablets should be placed in the detergent compartment.



### Notice:

3 in 1 or similar tablets should not be used when Heat Wash, Rapid wash or Soak programmes are selected.

## Reset function

You can use the "Reset" function to stop the wash cycle when running by rotating the dial to "Reset". The appliance will stop after a few minutes and water has completely drained.

## After every wash

After every wash leave the door slightly ajar so that moisture and odours are not trapped inside.

## Remove the plug

Before cleaning or performing maintenance, always switch off the machine and remove the plug from the socket.

## No solvents or abrasive cleaning products

To clean the exterior and rubber parts of the dishwasher, do not use solvents or abrasive cleaning products. It is recommended that you use only a cloth and warm soapy water.

To remove spots or stains from the surface of the interior, use a cloth dampened with water and a little white vinegar or a cleaning product made specifically for dishwashers.

## Moving the appliance

If the appliance must be moved, try to keep it in a vertical position. If absolutely necessary, it can be positioned on its back.

## Seals

One of the factors that cause odours to form in the dishwasher is food that remains trapped in the seals. Periodic cleaning with a damp sponge will prevent this from occurring.

The door should not be left in the open position since this could present a tripping hazard.

## When you go on holiday

When you go on holiday, it is recommended that you run a wash cycle with the dishwasher empty and then remove the plug from the socket, turn off the water supply and leave the door of the appliance slightly ajar. This will help the seals last longer and prevent odours from forming within the appliance.

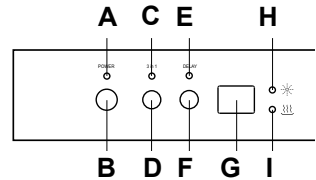
Regular inspection and maintenance of your appliance helps to prevent problems from occurring. This saves time and aggravation. You should therefore carefully inspect the inside of your dishwasher from time to time.

## Overall condition of appliance

- Check that no grease or scale has accumulated on the inside of the dishwasher.  
If you discover any deposits:
- Clean the interior of the dishwasher thoroughly with a dishwasher detergent solution.

## Rinse-aid

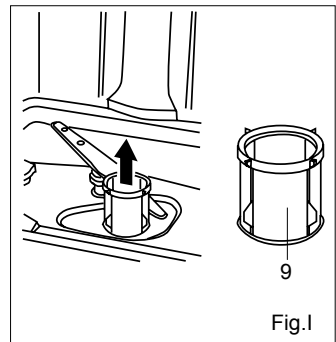
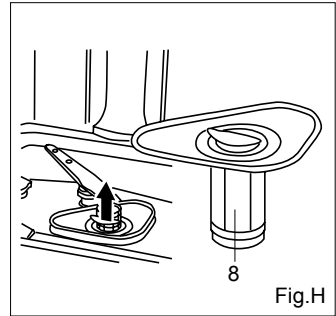
Check the LOW RINSE AID indicator "H", on the front panel .  
Top up with rinse-aid, if required.



## Filters

The filters "8" and "9" prevent larger particles of food in the water from reaching the pump. (See Figs. H and I). These particles can occasionally block the filters.

- When the appliance has finished washing, check the filters for particles of food and, if required, clean.
- After undoing the coarse micro-filter "8", the filter unit "9" can be removed. Remove any particles of food and rinse the filters under running water.
- Insert the filter unit "9" and tighten the coarse micro-filter.



## Spray arms

Lime scale and food residue in the wash water can block the nozzles in the spray arms "10" and "11" and the arm mountings (see Figs. J and K).

- Inspect the nozzles in the spray arms for holes blocked due to food residue.
- If necessary, pull the lower arm "11" upwards and lift it off.
- Unscrew the upper spray arm "10".
- Clean both spray arms under running water.
- Refit the spray arms. Ensure that the lower arm has locked into place and the upper one is screwed in tight.
- Ensure that the power supply is turned off prior to removal and cleaning of any internal parts.

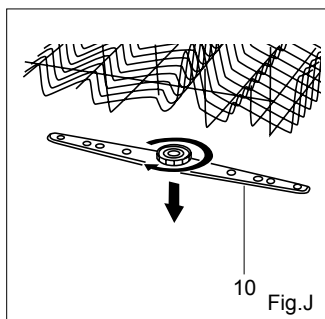


Fig.J

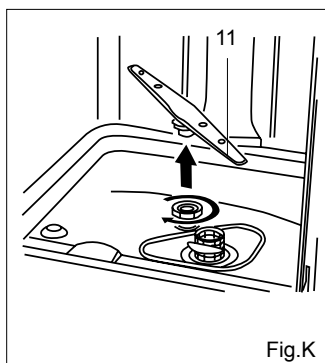


Fig.K

## Resolving minor problems yourself

Experience has shown that you can resolve most problems that arise during normal daily usage yourself without having to call out a service engineer.

Not only does this save costs, but it also means that the appliance is available for use again that much sooner. The following list of common occurrences and their remedies should help you resolve most problems.

### ...when the appliance is switched on

#### Appliance does not start up

- Fault with fuse in mains electricity supply.
- Plug not inserted in wall socket.
- Appliance door not closed properly.
- Programme button has not been pressed.
- Water tap not turned on.
- Blocked filter in water intake hose.
  - The filter is situated in the supply-hose connection.

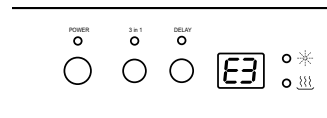
### ...with the appliance itself

#### Error display on the time-remaining indicator

When the buzzer emits 10 short warning signals every 30 seconds and the time-remaining indicator displays "E3"

Have you checked whether:

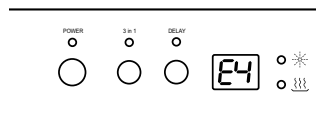
- The drain hose is too low.



**When the buzzer emits 10 short warning signals every 30 seconds and the time-remaining indicator displays "E4"**

**Have you checked whether:**

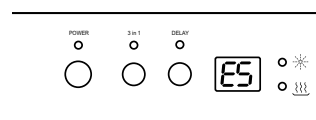
- The drain hose is creased or kinked.
- The drain hose is too high.



**When the buzzer emits 10 short warning signals every 30 seconds and the time-remaining indicator displays "E5"**

**Have you checked whether:**

- The water is turned on and the hose is connected properly.
- The water supply to the house is on and has sufficient pressure.
- The water supply hose is creased or kinked.
- The filter for the water supply hose is clogged.
- The drain hose is too low.



**When the buzzer emits 10 short warning signals every 30 seconds and the time remaining indicator displays "E2" or "E6" contact the nearest authorised service centre.**

**If you carry out all these checks and the appliance still does not function or your appliance has any other error display, power the appliance OFF and wait a few minutes. Then power the dishwasher on and try again. If the dishwasher still does not function and/or the problem persists, contact the nearest authorised service centre and provide them with the following information:**

- The nature of the problem.
- The model type number (Mod...) and the serial number (S/N...), which is shown on the plate on the inner part of the door.

**Lower spray arm rotates with difficulty.**

- Spray arm is blocked by small items or food residue.

**Detergent compartment lid cannot be closed**

- Detergent compartment has been overfilled.
- Mechanism is clogged with remnants of detergent.

**Remnants of detergent stuck inside dispenser.**

- Compartment was damp when it was filled up with detergent. Compartment must be dry before detergent is added.

**Water remains inside appliance after programme has ended.**

- Blockage or kink in drainage hose.
- Pump is jammed.
- Filters are blocked.
- The programme is still running. Wait for the programme to end.

**...during washing****Unusual amount of foam is created**

- Normal washing up liquid has been poured into the rinse-aid container.
- Remove any spilled rinse aid with a cloth as it could otherwise lead to excessive foaming during the next washing cycle.

**Appliance stops suddenly while washing is taking place**

- Electricity supply has been cut off to appliance.
- Water supply has been interrupted.

**Knocking sound can be heard while washing is taking place**

- A spray arm is knocking against the dishes inside the appliance.

**Rattling sound can be heard while washing is taking place**

- Crockery has not been stacked properly inside the appliance.

**Knocking sound coming from inlet valves**

- This is caused by the way the water pipes have been laid and it has no effect upon the way the appliance functions. There is no remedy for this.

**...with the dishes, cutlery, etc.****Food residue is stuck to the dishes, cutlery, etc.**

- Dishwasher was not loaded properly. Jets of water could not reach all parts of the dishes, etc.
- Too many items in the rack.
- Items in the rack were touching each other.
- Not enough detergent was added to dispenser.
- Selected wash programme was not intensive enough.
- Rotation of spray arm was obstructed by dishes, etc.
- Nozzles in spray arm are blocked by food residue.
- Filters are blocked.
- Filters have been incorrectly fitted.
- Waste-water pump is jammed.

**Plastic items are discoloured**

- Not enough detergent was added to dispenser.
- Detergent has insufficient bleaching properties. Use a detergent containing a chemical bleaching agent.

**White stains are left on crockery, glasses have a milky appearance**

- Not enough detergent was added to dispenser compartment.
- Amount of rinse-aid was set too low.
- Water softener was set too low.
- If you used a phosphate-free detergent, try a detergent containing phosphates and compare results

**Dishes, cutlery, etc. have not been dried**

- Selected programme did not include drying function.
- Amount of rinse-aid was set too low.
- Items were removed from dishwasher too soon.

**Glasses have a dull appearance**

- Amount of rinse-aid was set too low.

**Tea stains or traces of lipstick have not been completely removed.**

- Detergent does not have a sufficient bleaching effect.
- Washing temperature was set too low.

**Traces of rust on cutlery**

- Cutlery is not sufficiently rustproof.

**Glasses become clouded and discoloured; coating cannot be wiped off**

- Unsuitable detergent was used.
- Glasses are not dishwasher-proof.

**Smears left behind on glasses and cutlery; glasses have acquired a metallic appearance**

- Amount of rinse-aid set too high.

<b>Width</b>	<b>450 mm</b>
<b>Depth</b>	<b>600 mm</b>
<b>Height</b>	<b>850 mm</b>
<b>Capacity</b>	<b>9 standard place settings</b>
<b>Mains water pressure</b>	<b>0.03-1.0MPa</b>
<b>Power voltage</b>	<b>220-240V~ 50Hz</b>
<b>Maximum current intensity</b>	<b>10A</b>
<b>Total absorbed power</b>	<b>1950W</b>

## Important information

### Notes on waste disposal

Old appliances still have some residual value. An environment-friendly method of disposal will ensure that valuable raw materials can be recovered and used again.

When an appliance has reached the end of its working life, unplug it from the mains. Cut through the mains cable and dispose of it together with the plug.

Destroy the door locking mechanism. This will ensure that children cannot become locked inside and are not exposed to the risk of suffocation.

Your new appliance was protected by suitable packaging while it was on its way to you. Please dispose of all packaging materials properly and ensure that they are kept out of children's reach. There is a risk of suffocation from the cardboard boxes and the plastic wrapping.

Up-to-date information concerning options for disposal can be obtained from your retailer or local council.