



Quick Start Guide

www.annke.com

Hi, friend!

Thanks for choosing ANNKE.
If there's anything we can help,
please feel free to reach us! We'll reply in 24H.

 support@annke.com

 <http://help.annke.com>

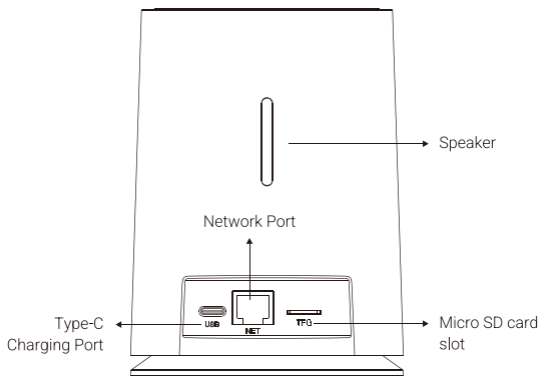
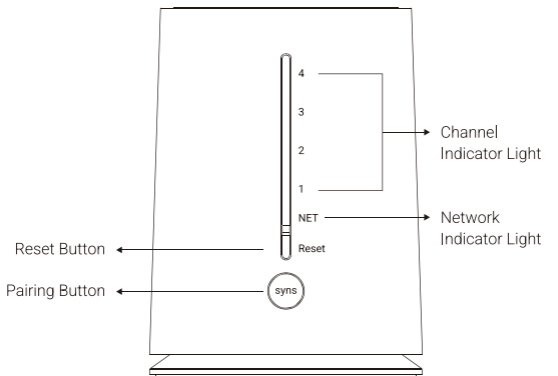
CONTENTS

EN

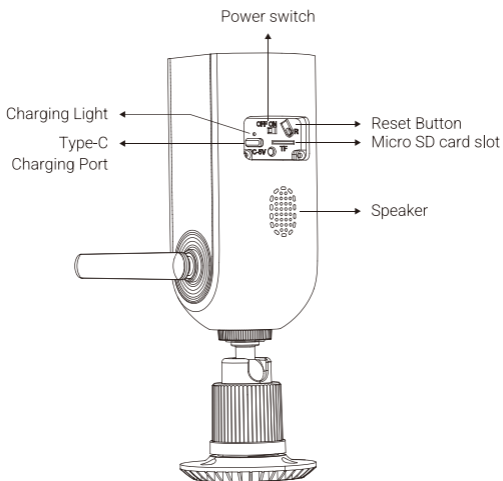
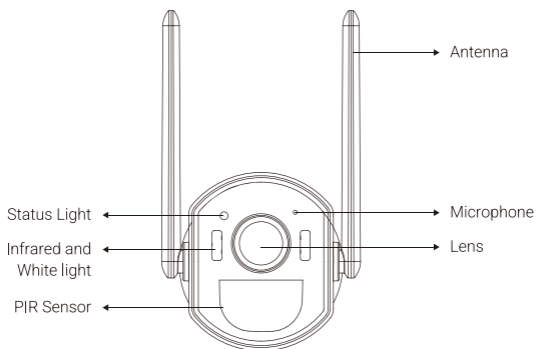
1. Product Description	01
2. Connection Diagram	06
3. Download and install the APP	07
4. Added Homebase to APP	07
5. Pairing the camera to the Homebase	10
6. Micro SD card settings	12
7. Installation the Camera	13
8. Installing and connecting solar panels	14

1. Product Description

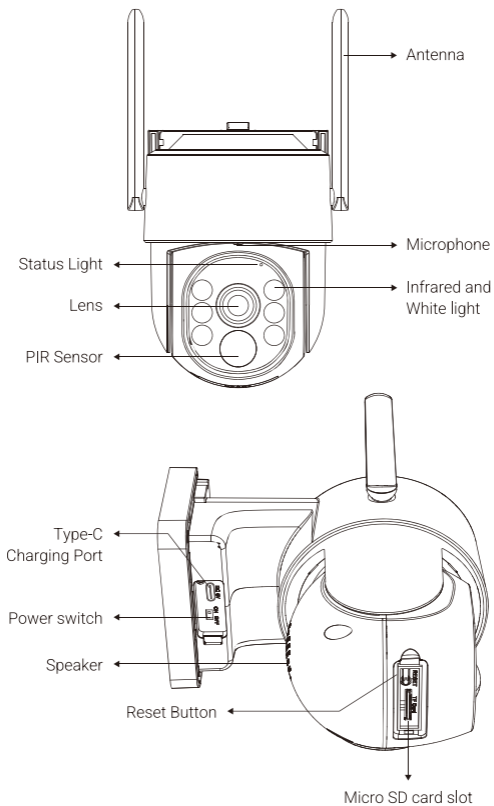
1.1 Homebase



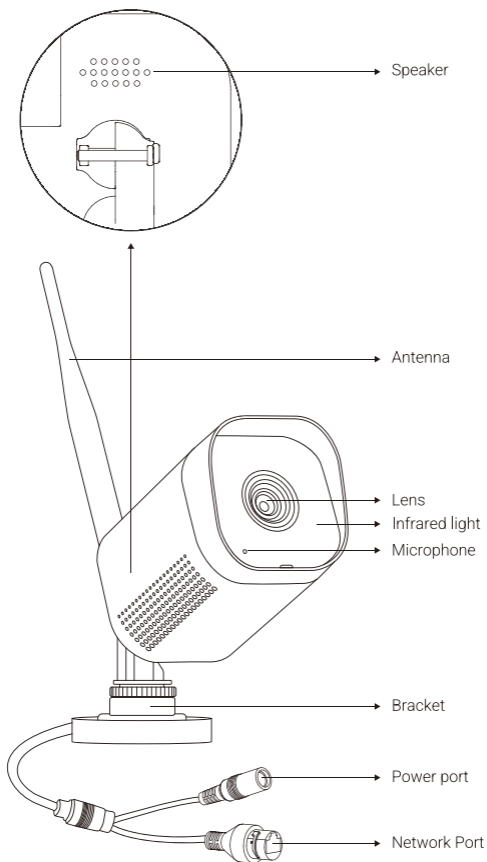
1.2 Battery Bullet Camera



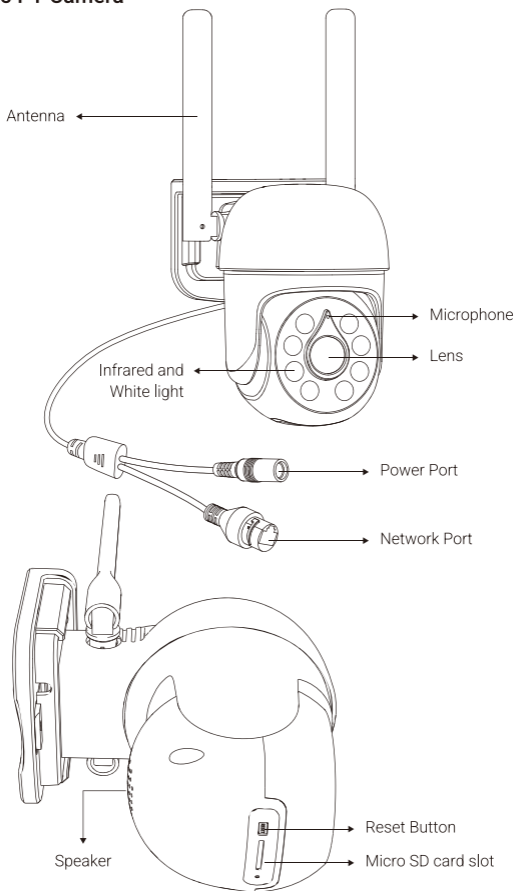
1.3 Battery PT Camera



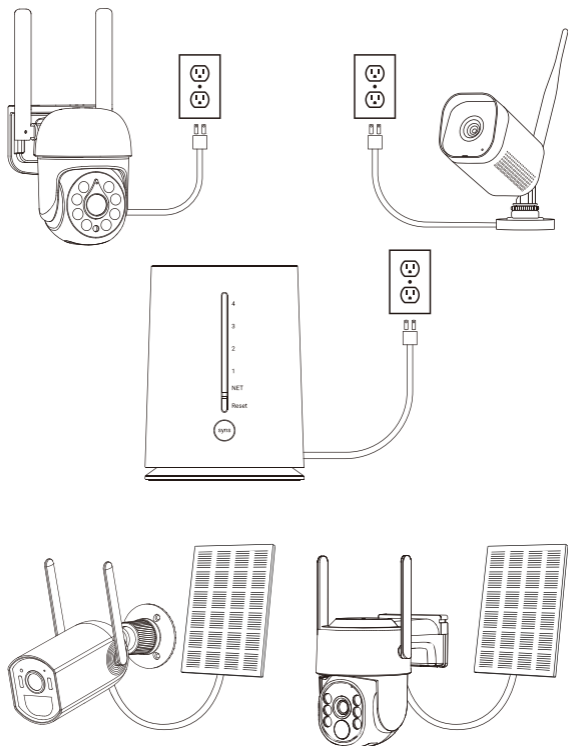
1.4 Bullet Camera



1.5 PT Camera



2. Connection Diagram



Note: The connection diagram is for reference only, please refer to the actual product.

3. Download and install the APP

Download and install the free " **Annke Sight** " from the Google Play Store or App Store, create an account and login.

Note: Please allow the APP to obtain relevant permissions, such as Location, Bluetooth, Storage, Notification, Microphone, Speaker, etc. Otherwise, the device cannot be added normally, affecting your user experience.

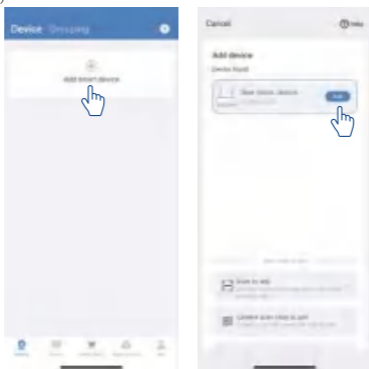
4. Added Homebase to APP

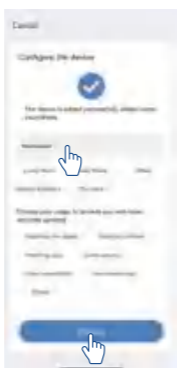
Before adding a device :

- A. Make sure your wireless router has DHCP enabled and has no restrictions on new devices accessing it.
- B. The WiFi password should be no less than 8 characters, no more than 20 characters and no special characters.

4.1 Wired adding method(Recommend)

- A. Connect Homebase to the power supply and network cable, wait for Homebase to start up, the network indicator light starts flashing, and you hear the configuration prompt tone.
- B. Log in to the app, click the " **Add smart Device** " or " **+** " icon, operate according to the prompts on the APP interface and complete adding the Homebase.(As shown below)

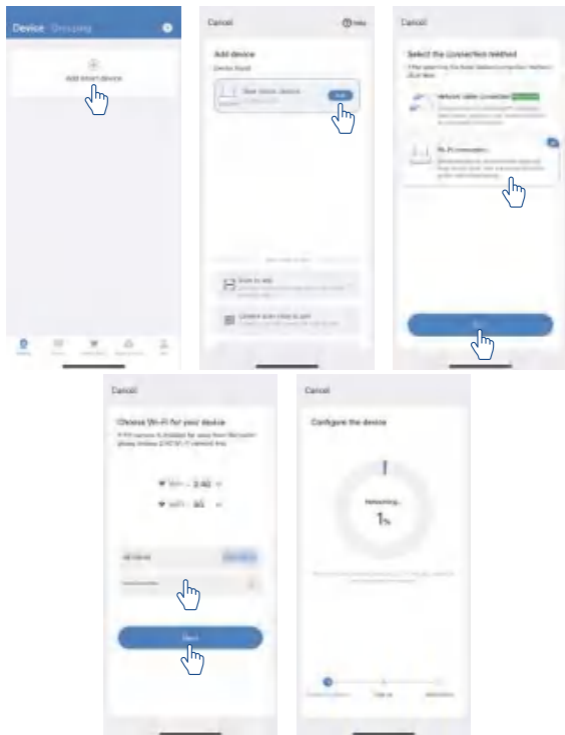


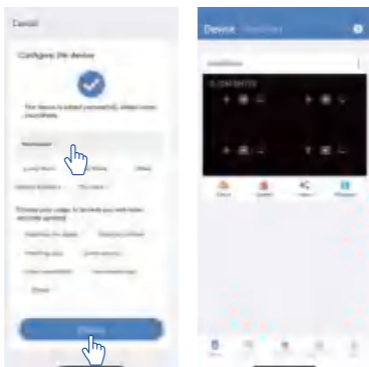


4.2 Wireless adding method

A. Connect the Homebase to the power supply, wait for the Homebase to start, the network indicator light to start flashing, and hear the configuration prompt tone.

B. Log in to the app, click the " **Add smart Device** " or " **+** " icon, operate according to the prompts on the APP interface and complete adding the Homebase.(As shown below)





Note: If adding Homebase fails, please check the network status, reset Homebase and try again.

5. Pairing the camera to the Homebase

5.1 Homebase adding method(Recommend)

- Confirm that Homebase has an available channel and is powered on normally.
- Connect the new camera to a power source or turn it on (battery camera), and wait for the camera to emit a pairing prompt.
- Press and hold the pairing button on Homebase for 5 seconds, Homebase will automatically search and pair the added camera, and the addition will be successful and a completion prompt will sound.

Note: Homebase can add multiple cameras at a time. If the camera fails to be added, please reset the camera and try again



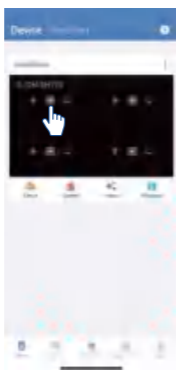
5.2 APP adding method

A. Confirm that Homebase has an available channel and is powered on normally.
B. Connect the new camera to a power source or turn it on (battery camera), and wait for the camera to emit a pairing prompt.

C. Log in to the APP, click the "+" icon in the blank channel, and click **"Next"** according to the prompts on the APP interface. Homebase will automatically search and pair the new camera, and it will be added successfully and a completion prompt tone will be issued.

D. Click **"Continue to add cameras"** to continue adding other cameras. Click **"Done"** to exit pairing mode.

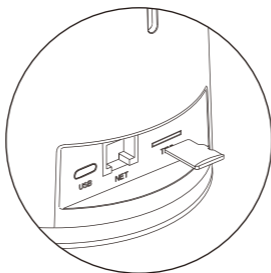
Note: If the camera fails to be added, please reset the camera and try again



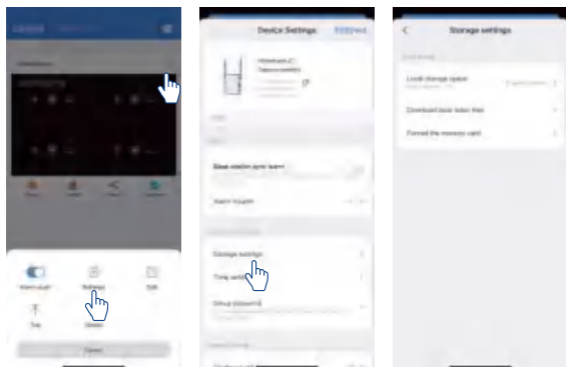


6. Micro SD card settings

A. Disconnect Homebase from the power source and insert the Micro SD card into the slot in the correct direction.

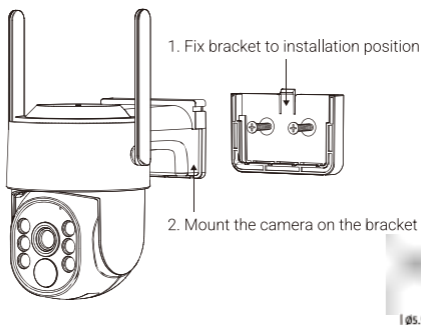


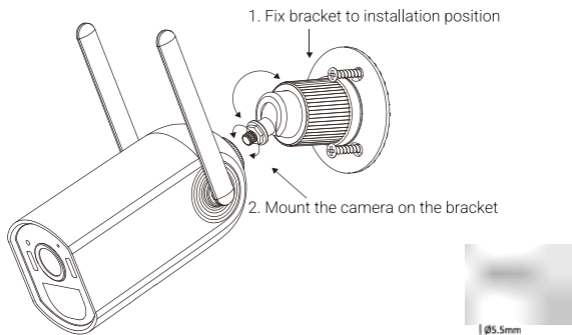
B. Connect the Homebase power supply, enter the APP preview interface, enter the device settings, and in the storage settings you can view the micro SD card status and formatting status.



7. Installation the Camera

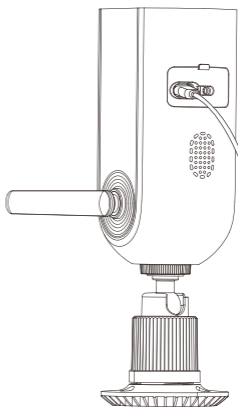
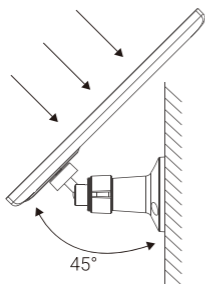
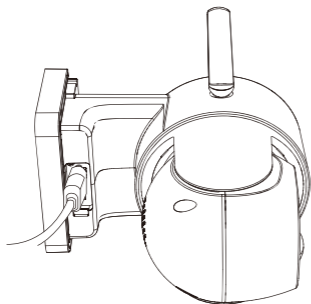
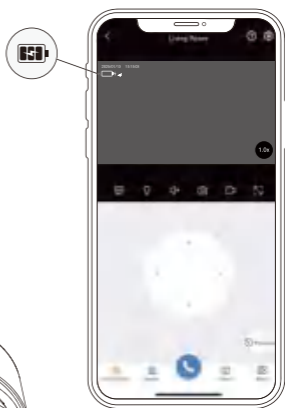
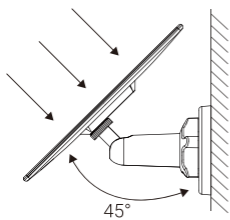
- Confirm that the surface of the object on which the camera is mounted can withstand three times the weight of the camera and the bracket.
- Confirm that the WiFi signal at the camera location is stable.
- Choose a position 2 to 3 meters from the ground.
- Fix bracket to installation position.
- Mount the camera on the bracket.





8. Installing and connecting solar panels

- Find a location that receives enough sunlight and is not shaded and at a suitable distance from the camera. (This distance depends on the length of the solar panel wire)
- Confirm that the surface of the mounting object can withstand 3 times the weight of the solar panels and brackets.
- Install the solar panel bracket and fix the solar panel to the bracket at a certain angle. The ideal angle between the solar panel and the horizontal direction is 45°. (The installation angle is the actual environment prevails)
- Remove the waterproof rubber plug from the camera's Type-C Power Port and plug the solar panel cable into the camera's Type-C Port.
- Please confirm that the solar panel is powering the camera. Launch APP. A charging icon can be seen on the APP when the solar panel is charging the camera.
- Maximize the charging efficiency of the solar panel. Regularly wipe the surface of the solar panel with a soft cloth to avoid the influence of dust and other coverings.





Manufacturer: Shenzhen Kean Digital co.,Ltd.

Address: Room 1001, Rujun Building, No. 105, Zhongxing Road, Ma'antang Community, Bantian Street, Longgang District, Shenzhen, 518129, China.

Help center: <https://help.annke.com>

Tech Support: support@annke.com



THEMIS AR support ltd
85 Great Portland St, London, United Kingdom, W1W 7LT
legal@themisar.com



THEMIS AR Unterstützung UG
Beedstrasse 54, In Dusseldorf, (40468), Deutschland
legal@themisar.com



Made in China



Quick Start Guide

(EN / DE)

www.annke.com

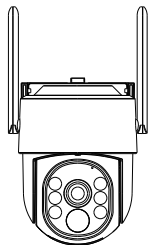
Hi, friend!

Thanks for choosing ANNKE.
If there's anything we can help,
please feel free to reach us! We'll reply in 24H.

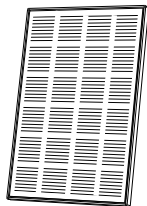
 support@annke.com

 <http://help.annke.com>

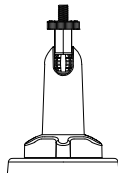
1. What's in the Box



Battery Camera



Solar Panels



Solar Panels Bracket



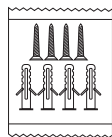
Type-C Power Cable



Quick Start Guide



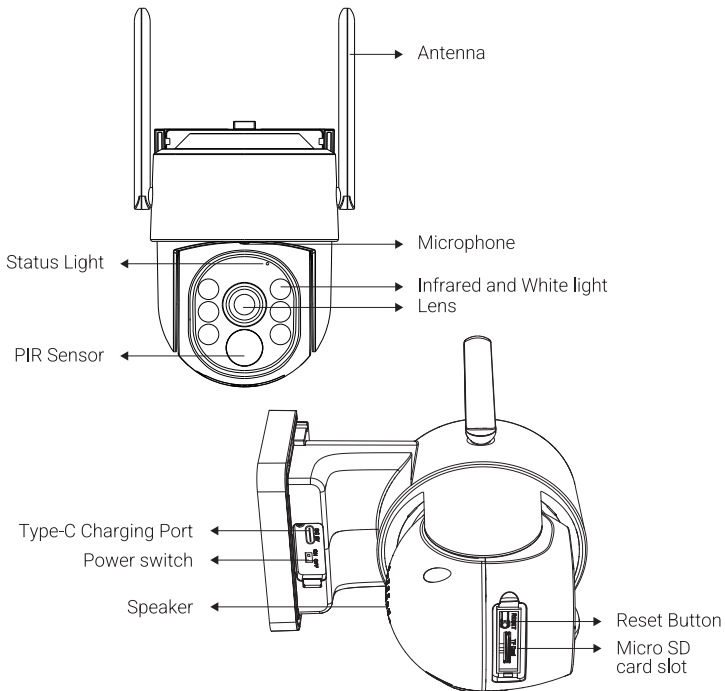
Surveillance Sign



Screw Pack

Note: The packing list is for reference only, please refer to the actual product.

2. Product Description



3. Download and install the APP

Download and install the free " **Annke Sight** " from the Google Play Store or App Store, create an account and login.

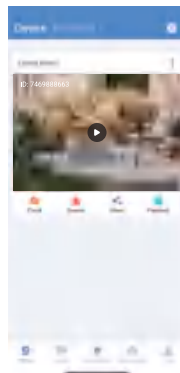
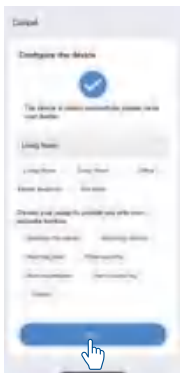
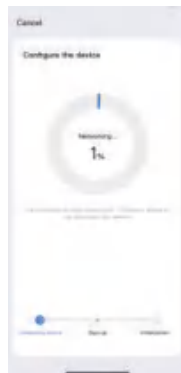
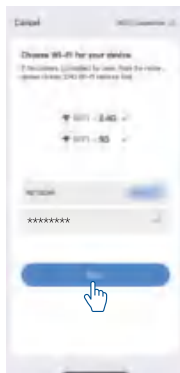
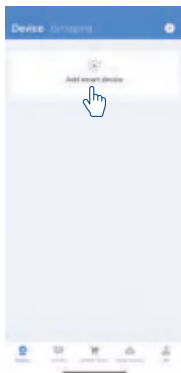
Note: Please allow the APP to obtain relevant permissions, such as Location, Bluetooth, Storage, Notification, Microphone, Speaker, etc. Otherwise, the device cannot be added normally, affecting your user experience.

4. Added camera to APP

Before adding a device:

1. Make sure your wireless router has DHCP enabled and has no restrictions on new devices accessing it.
2. The WiFi password should be no less than 8 characters, no more than 20 characters and no special characters..
3. Turn on the camera, wait for the camera to start, the red indicator light starts flashing and a configure prompt sound is heard.

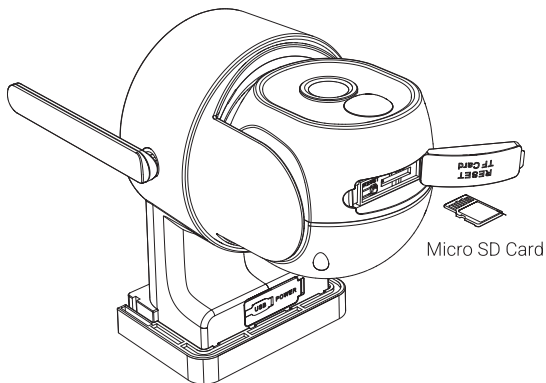
Click the " **Add smart Device** " or " **+** " icon, operate according to the prompts on the APP interface and complete adding the camera.



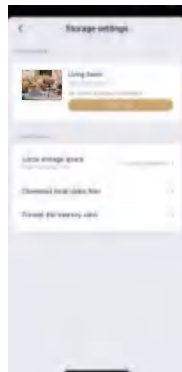
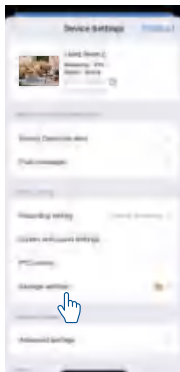
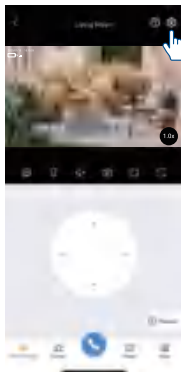
Note: If the camera fails to be added, please check the WiFi information and status, and reset the camera to restart and try again.

5. Micro SD card settings

1. Turn off the camera, open the waterproof cover at the bottom of the camera, find the Micro SD card slot, and insert the Micro SD card into the slot in the correct direction.



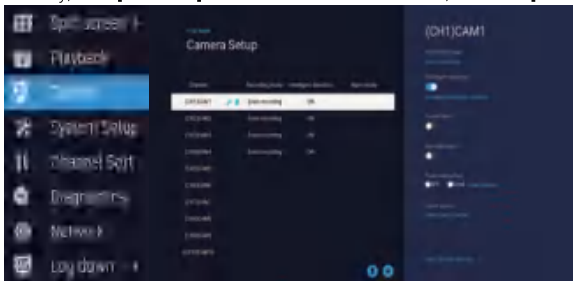
2. Turn on the camera, enter the APP preview interface, and enter the camera settings. You can check the micro SD card status and formatting in the storage settings.



6. Added camera to Wireless NVR


Before adding a new camera, please make sure that the NVR has a free channel. Connect the camera to the power supply and wait for the startup to complete.

Right-click the mouse and click **[Camera]**, click **[+]** to make sure the new camera has been started normally, click **[Continue]** to enter the camera adding interface, the NVR will automatically search for and add the new camera nearby, and after it shows that it has been added successfully, click **[Continue]** to enter the Preview interface, and click **[Continue]** to exit.

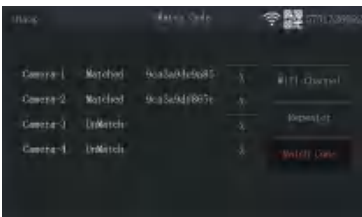
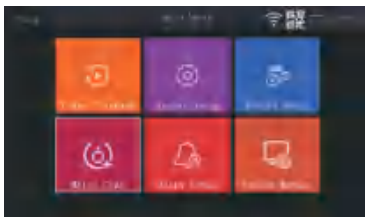
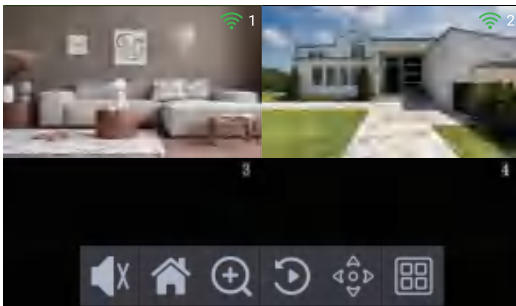


Note: If the camera cannot be found, reset the camera and try again.

7. Added camera to Touch Screen NVR

Press  - [Match Code] - [Match Code], the system automatically searches for and adds new cameras.

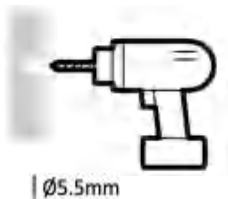
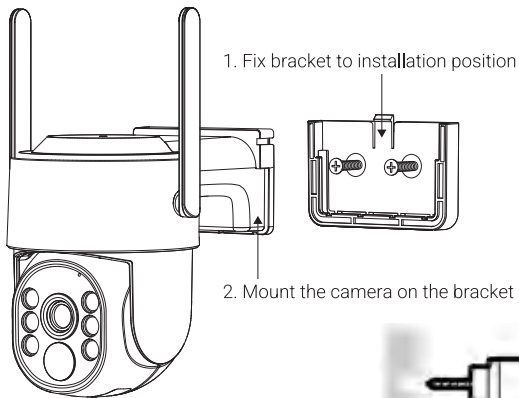
Note: If no video is displayed on the screen, please reset the camera and try again.



For more connection methods, please contact support@annke.com

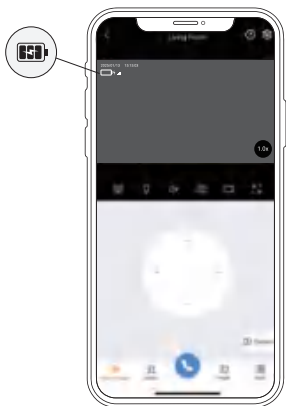
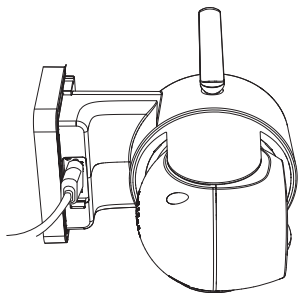
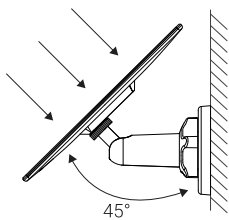
8. Installation the Camera

- A. Confirm that the surface of the object on which the camera is mounted can withstand three times the weight of the camera and the bracket.
- B. Confirm that the WiFi signal at the camera location is stable.
- C. Choose a position 2 to 3 meters from the ground.
- D. Fix bracket to installation position.
- E. Mount the camera on the bracket.



9. Installing and connecting solar panels

- A. Find a location that receives enough sunlight and is not shaded and at a suitable distance from the camera. (This distance depends on the length of the solar panel wire)
- B. Confirm that the surface of the mounting object can withstand 3 times the weight of the solar panels and brackets.
- C. Install the solar panel bracket and fix the solar panel to the bracket at a certain angle. The ideal angle between the solar panel and the horizontal direction is 45° . (The installation angle is the actual environment prevails)
- D. Remove the waterproof rubber plug from the camera's Type-C Power Port and plug the solar panel cable into the camera's Type-C Port.
- E. Please confirm that the solar panel is powering the camera. Launch APP. A charging icon can be seen on the APP when the solar panel is charging the camera.
- F. Maximize the charging efficiency of the solar panel. Regularly wipe the surface of the solar panel with a soft cloth to avoid the influence of dust and other coverings.



About this guide

Thank you for purchasing this device! This guide is designed for the installation and operation of this product. You can get more information about the features and functions of this product in details. Please read this manual carefully before using. The information contained in the guide is subject to change, without notice, due to firmware updates or other reasons. If you have any questions, please feel free to contact us at support@annke.com.

LEGAL DISCLAIMER

REGARDING TO THE PRODUCT WITH INTERNET ACCESS, THE USE OF PRODUCT SHALL BE WHOLLY AT YOUR OWN RISKS. OUR COMPANY SHALL NOT TAKE ANY RESPONSIBILITY FOR ABNORMAL OPERATION, PRIVACY LEAKAGE OR OTHER DAMAGES RESULTING FROM CYBER ATTACK, HACKER ATTACK, VIRUS INSPECTION, OR OTHER INTERNET SECURITY RISKS; HOWEVER, OUR COMPANY WILL PROVIDE TIMELY TECHNICAL SUPPORT IF REQUIRED. SURVEILLANCE LAWS VARY BY JURISDICTION. PLEASE CHECK ALL RELEVANT LAWS IN YOUR JURISDICTION BEFORE USING THIS PRODUCT IN ORDER TO ENSURE THAT YOUR USE CONFORMS THE APPLICABLE LAW. OUR COMPANY SHALL NOT BE LIABLE IN THE EVENT THAT THIS PRODUCT IS USED WITH ILLEGITIMATE PURPOSES. IN THE EVENT OF ANY CONFLICTS BETWEEN THIS GUIDE AND THE APPLICABLE LAW, THE LATTER PREVAILS.

Regulatory Information

FCC Information

This equipment has been tested and found to comply with the limits for a Class B digital device, pursuant to part 15 of the FCC Rules. These limits are designed to provide reasonable protection against harmful interference in a residential installation. This equipment generates uses and can radiate radio frequency energy and, if not installed and used in accordance with the instructions, may cause harmful interference to radio communications. However, there is no guarantee that interference will not occur in a particular installation. If this equipment does cause harmful interference to radio or television reception, which can be determined by turning the equipment off and on, the user is encouraged to try to correct the interference by one or more of the following measures:

- Reorient or relocate the receiving antenna.
- Increase the separation between the equipment and receiver.
- Connect the equipment into an outlet on a circuit different from that to which the receiver is connected.
- Consult the dealer or an experienced radio/TV technician for help.

Changes or modifications not expressly approved by the party responsible for compliance could void the user's authority to operate the equipment.

This device complies with Part 15 of the FCC Rules. Operation is subject to the following two conditions: (1) this device may not cause harmful interference, and (2) this device must accept any interference received, including interference that may cause undesired operation.

RF Exposure Warning Statements:

This equipment complies with FCC radiation exposure limits set forth for an uncontrolled environment. This equipment shall be installed and operated with minimum distance 20cm between the radiator & body.

EU/UK Compliance Statement



This product and - if applicable - the supplied accessories too are marked with "CE" and comply therefore with the applicable harmonized European standards listed under the EMC Directive 2014/30/EU, the LVD Directive 2014/35/EU, the RoHS Directive 2011/65/EU, Wi-Fi device: the RE Directive 2014/53/EU.



This product and - if applicable - the supplied accessories too are marked with "UKCA" and comply therefore with the following directives: Electromagnetic Compatibility Regulations 2016, Electrical Equipment (Safety) Regulations 2016, the Restriction of the Use of Certain Hazardous Substances in Electrical and Electronic Equipment Regulations 2012, Wi-Fi device: Radio Equipment Regulations 2017.



Directive 2012/19/EU (WEEE Directive): Products marked with this symbol cannot be disposed of as unsorted municipal waste in the European Union. For proper recycling, return this product to your local supplier upon the purchase of equivalent new equipment, or dispose of it at designated collection points. For more information see: www.recyclethis.info.

According to the Waste Electrical and Electronic Equipment Regulations 2013: Products marked with this symbol cannot be disposed of as unsorted municipal waste in the United Kingdom. For proper recycling, return this product to your local supplier upon the purchase of equivalent new equipment, or dispose of it at designated collection points. For more information see: www.recyclethis.info.



Directive 2006/66/EC and its amendment 2013/56/EU (Battery Directive): This product contains a battery that cannot be disposed of as unsorted municipal waste in the European Union. See the product documentation for specific battery information. The battery is marked with this symbol, which may include lettering to indicate cadmium (Cd), lead (Pb), or mercury (Hg). For proper recycling, return the battery to your supplier or to a designated collection point. For more information see: www.recyclethis.info.

According to the Batteries and Accumulators (Placing on the Market) Regulations 2008 and the Waste Batteries and Accumulators Regulations 2009: This product contains a battery that cannot be disposed of as unsorted municipal waste in the United Kingdom. See the product documentation for specific battery information. The battery is marked with this symbol, which may include lettering to indicate cadmium (Cd), lead (Pb), or mercury (Hg). For proper recycling, return the battery to your supplier or to a designated collection point. For more information see: www.recyclethis.info.

Warnings and Cautions

Safety Instruction: These instructions are intended to ensure that the user can use the product correctly to avoid danger or property loss.

Laws and Regulations: The device should be used in compliance with local laws, electrical safety regulations, and fire prevention regulations.

Electricity: In the use of the product, you must be in strict 10 compliance with the electrical safety regulations of the nation and region. The equipment shall not be exposed to dripping or splashing and that no objects filled with liquids, such as vases, shall be placed on the equipment.

Fire Prevention: No naked flame sources, such as lighted candles, should be placed on the equipment.

Emergency: If smoke, odor, or noise arises from the device, immediately turn off the power, unplug the power cable, and contact the service center.

Power Supply: Device powered by Safety Extra-Low Voltage(SELV): The power source should meet limited power source or PS2 requirements according to IEC 60950-1 or IEC 62368-1 standard. Device powered by AC mains supply voltage: The equipment must be connected to an earthed mains socket-outlet.

White Light Illuminator (If supported): Possibly hazardous optical radiation emitted from this product. DO NOT stare at operating light source. May be harmful to the eyes. Wear appropriate eye protection or DO NOT turn on the white light when you assemble, install or maintain the camera.

Using Environment: DO NOT place the camera in extremely hot, cold, dusty or damp locations, and do not expose it to high electromagnetic radiation.

Installation: Install the equipment according to the instructions in this manual.

Transportation: Keep the device in original or similar packaging while transporting it.

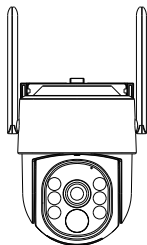
System Security: The installer and user are responsible for password and security configuration.

Maintenance: If the product does not work properly, please contact your dealer or the nearest service center. We shall not assume any responsibility for problems caused by unauthorized repair or maintenance.

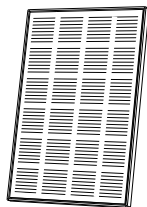
Cleaning: Please use a soft and dry cloth when clean inside and outside surfaces of the product cover. Do not use alkaline detergents.

Reflection: Make sure that no reflective surface is too close to the device lens. The IR light from the device may reflect back into the lens causing reflection.

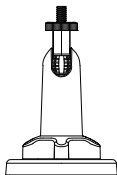
1. Was ist in der Box?



Batteriekamera



Solarpaneele



Solarpaneele Halterung



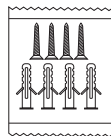
Typ-C Stromkabel



Schnellstartanleitung



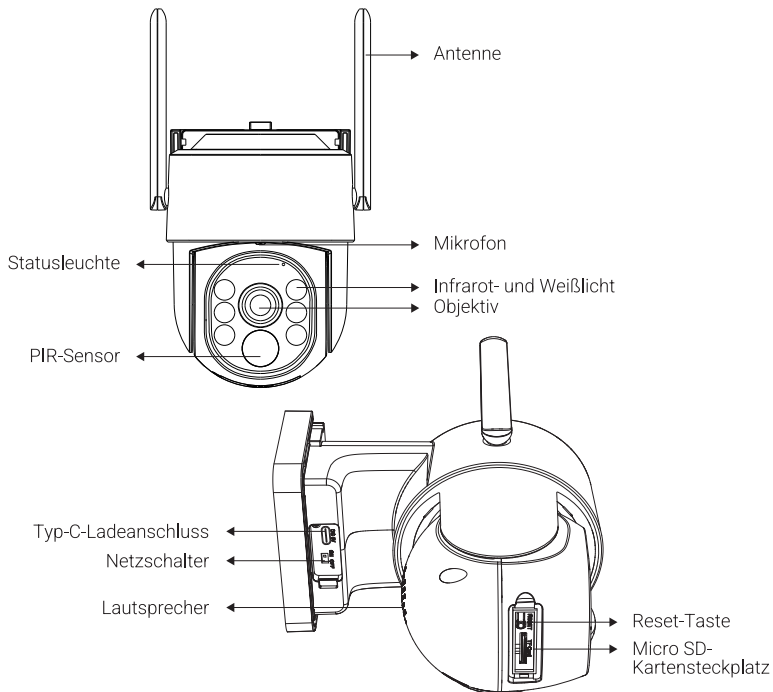
Überwachungsschild



Schraubenpaket

Hinweis: Die Packliste dient nur als Referenz, bitte beziehen Sie sich auf das tatsächliche Produkt.

2. Beschreibung des Produkts



3. Herunterladen und Installieren der APP

Laden Sie das kostenlose „**Annke Sight**“ aus dem Google Play Store oder App Store herunter und installieren Sie es, erstellen Sie ein Konto und melden Sie sich an.

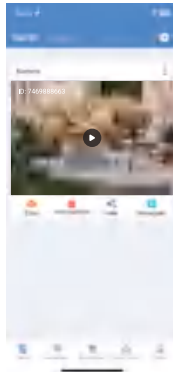
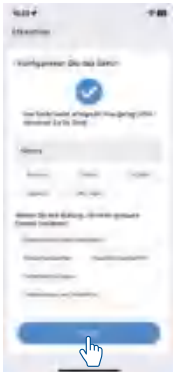
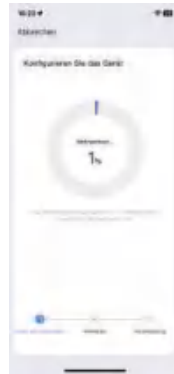
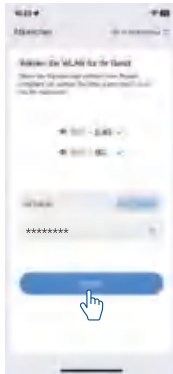
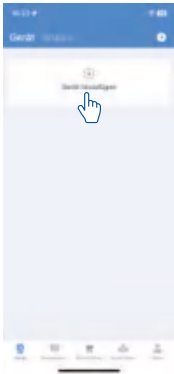
Hinweis: Bitte erlauben Sie der APP, relevante Berechtigungen zu erhalten, wie Standort, Bluetooth, Speicher, Benachrichtigung, Mikrofon, Lautsprecher, etc. Andernfalls kann das Gerät nicht normal hinzugefügt werden, was Ihre Benutzerfreundlichkeit beeinträchtigt.

4. Kamera zur APP hinzugefügt

Bevor Sie ein Gerät hinzufügen:

1. Vergewissern Sie sich, dass bei Ihrem drahtlosen Router DHCP aktiviert ist und keine Beschränkungen für den Zugriff neuer Geräte bestehen.
2. Das WiFi-Passwort sollte nicht weniger als 8 und nicht mehr als 20 Zeichen und keine Sonderzeichen enthalten.
3. Schalten Sie die Kamera ein, warten Sie, bis die Kamera startet, die rote Anzeigeleuchte blinkt und ein Konfigurationshinweis ertönt.

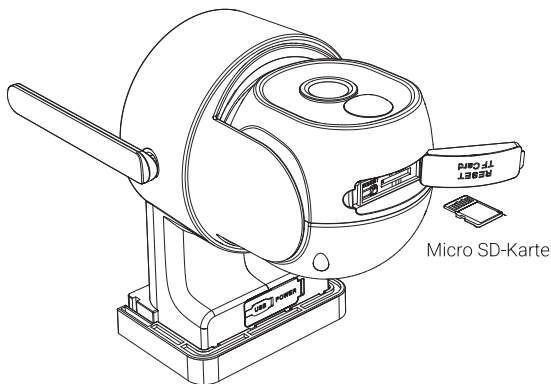
Klicken Sie auf das Symbol „**Gerät hinzufügen**“ oder „**+**“, folgen Sie den Anweisungen auf der APP-Oberfläche und schließen Sie das Hinzufügen der Kamera ab.



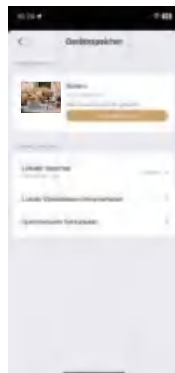
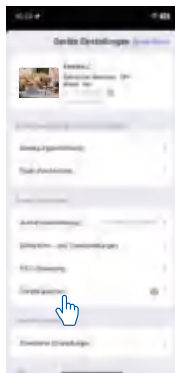
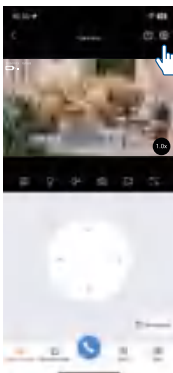
Hinweis: Wenn die Kamera nicht hinzugefügt werden kann, überprüfen Sie bitte die WiFi-Informationen und den Status und setzen Sie die Kamera zurück, um sie neu zu starten und es erneut zu versuchen.

5. Einstellungen der Micro-SD-Karte

1. Schalten Sie die Kamera aus, öffnen Sie die wasserdichte Abdeckung an der Unterseite der Kamera, suchen Sie den Micro-SD-Kartenschlitz und stecken Sie die Micro-SD-Karte in der richtigen Richtung in den Schlitz.

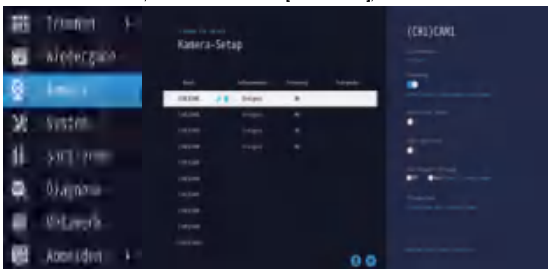


2. Schalten Sie die Kamera ein, rufen Sie die APP-Vorschauoberfläche auf und öffnen Sie die Kameraeinstellungen. Sie können den Status und die Formatierung der Micro-SD-Karte in den Speichereinstellungen überprüfen.




6. Kamera zum drahtlosen NVR hinzugefügt

Bevor Sie eine neue Kamera hinzufügen, stellen Sie bitte sicher, dass der NVR über einen freien Kanal verfügt. Schließen Sie die Kamera an die Stromversorgung an und warten Sie, bis der Startvorgang abgeschlossen ist. Klicken Sie mit der rechten Maustaste auf **[Kamera]**, klicken Sie auf **[+]**, um sicherzustellen, dass die neue Kamera normal gestartet wurde, klicken Sie auf **[Fortsetzen]**, um die Schnittstelle zum Hinzufügen von Kameras aufzurufen, der NVR sucht automatisch nach der neuen Kamera in der Nähe und fügt sie hinzu, und nachdem er anzeigt, dass sie erfolgreich hinzugefügt wurde, klicken Sie auf **[Fortsetzen]**, um die Vorschau-Schnittstelle aufzurufen, und klicken Sie auf **[Fortsetzen]**, um die Seite zu verlassen.

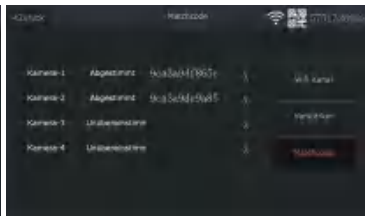
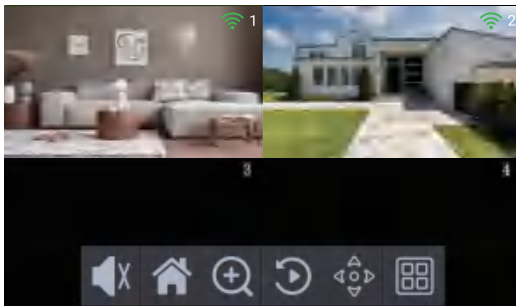


Hinweis: Wenn die Kamera nicht gefunden werden kann, setzen Sie sie zurück und versuchen Sie es erneut.

7. Kamera zum Touchscreen-NVR hinzugefügt

Drücken Sie  - [Matchcode] - [Matchcode], das System sucht und fügt automatisch neue Kameras hinzu.

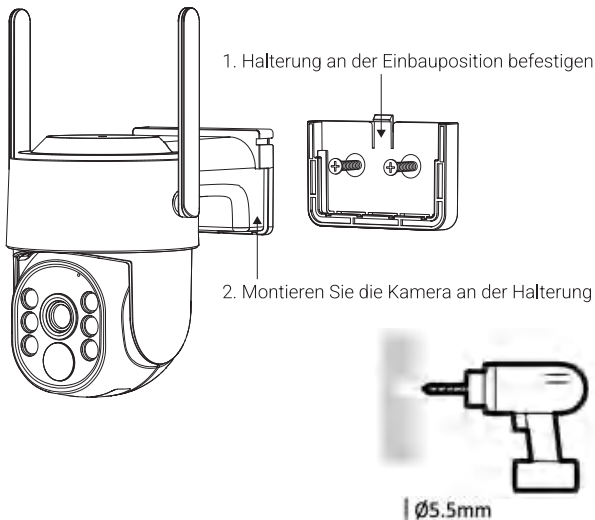
Hinweis: Wenn kein Video auf dem Bildschirm angezeigt wird, setzen Sie die Kamera zurück und versuchen Sie es erneut.



Für weitere Verbindungsmethoden wenden Sie sich bitte an support@annke.com

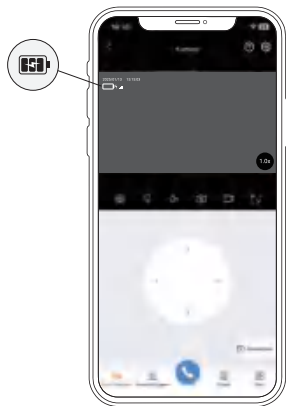
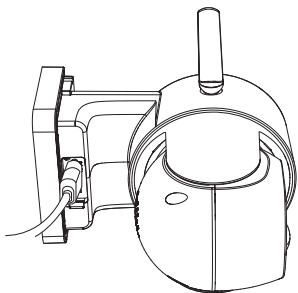
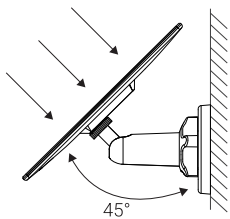
8. Installation der Kamera

- A. Vergewissern Sie sich, dass die Oberfläche des Objekts, an dem die Kamera befestigt ist, dem dreifachen Gewicht der Kamera und der Halterung standhalten kann.
- B. Stellen Sie sicher, dass das WiFi-Signal am Kamerastandort stabil ist.
- C. Wählen Sie eine Position, die 2 bis 3 Meter über dem Boden liegt.
- D. Befestigen Sie die Halterung an der Installationsposition.
- E. Befestigen Sie die Kamera an der Halterung.



9. Installation und Anschluss von Solarmodulen

- A. Suchen Sie einen Standort, der ausreichend Sonnenlicht erhält, nicht im Schatten liegt und einen angemessenen Abstand zur Kamera aufweist. (Dieser Abstand hängt von der Länge des Solarmodulkabels ab)
- B. Vergewissern Sie sich, dass die Oberfläche des Montageobjekts dem dreifachen Gewicht der Solarmodule und der Halterungen standhalten kann.
- C. Installieren Sie die Solarmodulhalterung und befestigen Sie das Solarmodul in einem bestimmten Winkel an der Halterung. Der ideale Winkel zwischen dem Solarmodul und der horizontalen Richtung beträgt 45° . (Der Installationswinkel richtet sich nach den tatsächlichen Gegebenheiten)
- D. Entfernen Sie den wasserdichten Gummistopfen vom Typ-C-Stromanschluss der Kamera und schließen Sie das Kabel des Solarpanels an den Typ-C-Anschluss der Kamera an .
- E. Vergewissern Sie sich, dass das Solarpanel die Kamera mit Strom versorgt. Starten Sie die APP. Ein Ladesymbol ist auf der APP zu sehen, wenn das Solarpanel die Kamera auflädt.
- F. Maximieren Sie die Ladeeffizienz des Solarmoduls. Wischen Sie die Oberfläche des Solarmoduls regelmäßig mit einem weichen Tuch ab, um den Einfluss von Staub und anderen Abdeckungen zu vermeiden.



EU-Konformitätserklärung



Dieses Produkt und (gegebenenfalls) das mitgelieferte Zubehör tragen das „CE“-Kennzeichen und entsprechen den anwendbaren harmonisierten europäischen Normen, die in der EMV-Richtlinie 2014/30/EU, der RoHS-Richtlinie 2011/65/EU, der Niederspannungsrichtlinie 2014/35/EU und der RED-Richtlinie 2014/53/EU für WLAN-Geräte aufgeführt sind.



Richtlinie 2012/19/EU (WEEE-Richtlinie): Produkte, die mit diesem Symbol gekennzeichnet sind, dürfen innerhalb der Europäischen Union nicht mit dem Hausmüll entsorgt werden. Für korrektes Recycling geben Sie dieses Produkt an Ihren örtlichen Fachhändler zurück oder entsorgen Sie es an einer der Sammelstellen. Weitere Informationen finden Sie unter: www.recyclethis.info.



Verordnung (EU) 2023/1542 (Batterieverordnung): Dieses Produkt enthält eine Batterie und entspricht der Verordnung (EU) 2023/1542. Die Batterie darf in der Europäischen Union nicht als unsortierter Hausmüll entsorgt werden. Spezifische Batterieinformationen finden Sie in der Produktdokumentation. Die Batterie ist mit diesem Symbol gekennzeichnet, das Buchstaben enthalten kann, die auf Cadmium (Cd) oder Blei (Pb) hinweisen. Geben Sie die Batterie für ein ordnungsgemäßes Recycling an Ihren Lieferanten oder an eine dafür vorgesehene Sammelstelle zurück. Weitere Informationen finden Sie unter: www.recyclethis.info.

Sicherheitshinweise

Sicherheitshinweis: Diese Hinweise sollen sicherstellen, dass der Benutzer das Produkt korrekt benutzen kann, um Gefahren oder Vermögensschäden zu vermeiden.

Gesetze und Vorschriften: Das Gerät muss in Übereinstimmung mit lokalen Gesetzen, Vorschriften zur elektrischen Sicherheit und Brandschutzvorschriften verwendet werden.

Elektrizität: Bei der Verwendung des Produkts müssen Sie die elektrischen Sicherheitsvorschriften des Landes und der Region strikt einhalten. Das Gerät darf keine Tropfen oder Spritzern ausgesetzt werden und es dürfen keine mit Flüssigkeit gefüllten Gegenstände wie Vasen darauf abgestellt werden.

Brandschutz: Es dürfen keine offenen Flammen wie brennende Kerzen auf das Gerät gestellt werden.

Notfall: Wenn Rauch, Geruch oder Lärm vom Gerät ausgeht, schalten Sie das Gerät sofort aus, ziehen Sie das Netzkabel ab und wenden Sie sich an das Servicecenter.

Stromversorgung: Gerät mit Schutzkleinspannung (SELV): Die Stromquelle muss die Anforderungen für begrenzte Stromquellen oder PS2 gemäß IEC 60950-1 oder IEC 62368-1 erfüllen. Gerät mit Wechselstrom-Netzspannung: Das Gerät muss an eine geerdete Netzsteckdose angeschlossen werden.

Weißlicht-Beleuchtung (falls unterstützt): Dieses Produkt gibt möglicherweise gefährliche optische Strahlung ab. Blicken Sie NICHT in die Lichtquelle, die sich im Betrieb befindet. Kann schädlich für die Augen sein. Tragen Sie einen geeigneten Augenschutz oder schalten Sie das Weißlicht NICHT ein, wenn Sie die Kamera zusammenbauen, installieren oder warten.

Nutzungsumgebung: Stellen Sie die Kamera NICHT an extrem heißen, kalten, staubigen oder feuchten Orten auf und setzen Sie sie keiner hohen elektromagnetischen Strahlung aus.

Installation: Installieren Sie das Gerät gemäß den Anweisungen in diesem Handbuch.

Transport: Bewahren Sie das Gerät während des Transports in der Originalverpackung oder einer ähnlichen Verpackung auf.

Systemsicherheit: Der Installateur und der Benutzer sind für die Kennwort- und Sicherheitskonfiguration verantwortlich.

Wartung: Wenn das Produkt nicht ordnungsgemäß funktioniert, wenden Sie sich bitte an Ihren Händler oder das nächstgelegene Servicecenter. Wir übernehmen keine Verantwortung für Probleme, die durch nicht autorisierte Reparaturen oder Wartungen verursacht werden.

Reinigung: Verwenden Sie zum Reinigen der Innen- und Außenflächen der Produktabdeckung ein weiches und trockenes Tuch. Verwenden Sie keine alkalischen Reinigungsmittel.

Reflexion: Stellen Sie sicher, dass sich keine reflektierende Oberfläche zu nahe an der Gerätelinse befindet. Das IR-Licht des Geräts kann in die Linse zurückgestrahlt werden und Reflexionen verursachen.

Déclaration de conformité UE



Ce produit et - le cas échéant - les accessoires fournis sont marqués « CE » et sont donc conformes aux normes européennes harmonisées applicables énumérées dans la directive CEM 2014/30/UE, la directive DBT 2014/35/UE, la directive RoHS 2011/65/UE, dispositif Wi-Fi : la directive RE 2014/53/UE.



Directive 2012/19/UE (directive DEEE) : dans l'Union européenne, les produits portant ce pictogramme ne doivent pas être déposés dans une décharge municipale où le tri des déchets n'est pas pratiqué. Pour un recyclage adéquat, remettez ce produit à votre revendeur lors de l'achat d'un nouvel équipement équivalent, ou déposez-le dans un lieu de collecte prévu à cet effet. Pour de plus amples informations, visitez le site Web : www.recyclethis.info.



Règlement (UE) 2023/1542 (Règlement sur les batteries) : Ce produit contient une batterie et est conforme au Règlement (UE) 2023/1542. La batterie ne peut pas être jetée avec les déchets municipaux non triés dans l'Union européenne. Consultez la documentation du produit pour obtenir des informations spécifiques sur la batterie. La batterie est marquée de ce symbole, qui peut inclure des lettres indiquant le cadmium (Cd) ou le plomb (Pb). Pour un recyclage approprié, rappez la batterie à votre fournisseur ou à un point de collecte désigné. Pour plus d'informations, consultez : www.recyclethis.info.

Avertissements et précautions

Consignes de sécurité : Ces consignes visent à s'assurer que l'utilisateur puisse utiliser le produit correctement afin d'éviter tout danger ou dommage matériel.

Lois et réglementations : L'appareil doit être utilisé conformément à la législation locale ainsi qu'aux réglementations en matière de sécurité électrique et de prévention des incendies.

Électricité : Lors de l'utilisation du produit, vous devez respecter strictement les réglementations de sécurité électrique du pays et de la région. L'équipement ne doit pas être exposé aux gouttes ou aux éclaboussures et aucun objet rempli de liquide, tel qu'un vase, ne doit être placé sur l'équipement.

Prévention des incendies : Aucune source de flamme nue, telle qu'une bougie allumée, ne doit être placée sur l'équipement.

Urgence : Si de la fumée, une odeur ou un bruit se dégage de l'appareil, coupez immédiatement l'alimentation, débranchez le câble d'alimentation et contactez le centre de service.

Alimentation : Appareil alimenté par une tension de sécurité très basse (SELV) : La source d'alimentation doit répondre aux exigences de la source d'alimentation limitée ou PS2 conformément à la norme IEC 60950-1 ou IEC 62368-1. Appareil alimenté par une tension d'alimentation secteur CA : L'équipement doit être connecté à une prise secteur reliée à la terre.

Éclairage à lumière blanche (lorsque cette fonction est prise en charge) : Ce produit émet un rayonnement optique potentiellement dangereux. NE PAS fixer la source lumineuse en fonctionnement. Peut être nocif pour les yeux. Portez une protection oculaire appropriée ou N'ALLUMEZ PAS la lumière blanche lorsque vous assemblez, installez ou entretenez la caméra.

Environnement d'utilisation : NE PAS placer la caméra dans des endroits extrêmement chauds, froids, poussiéreux ou humides, et ne pas l'exposer à un rayonnement électromagnétique élevé.

Installation : Installez l'équipement conformément aux instructions de ce manuel.

Transport : Conservez l'appareil dans son emballage d'origine ou similaire pendant le transport.

Sécurité du système : L'installateur et l'utilisateur sont responsables du mot de passe et de la configuration de sécurité.

Maintenance : Si le produit ne fonctionne pas correctement, veuillez contacter votre revendeur ou le centre de service le plus proche. Nous déclinons toute responsabilité en cas de problèmes causés par une réparation ou un entretien non autorisé.

Dichiarazione di conformità UE



Questo prodotto e, laddove la misura sia applicabile, anche gli accessori forniti sono contrassegnati con il marchio "CE" e sono quindi conformi agli standard europei armonizzati applicabili elencati nelle direttive EMC 2014/30/UE (compatibilità elettromagnetica), LVD 2014/35/UE (bassa tensione), RoHS 2011/65/UE (restrizioni dell'uso di sostanze pericolose nelle apparecchiature elettriche ed elettroniche); per il dispositivo Wi-Fi si veda la direttiva RE 2014/53/UE (armonizzazione delle legislazioni degli Stati membri relative alla messa a disposizione sul mercato di apparecchiature radio)



Direttiva 2012/19/UE (RAEE): i prodotti contrassegnati con il presente simbolo non possono essere smaltiti come rifiuti domestici indifferenziati nell'Unione europea. Per lo smaltimento corretto, restituire il prodotto al rivenditore in occasione dell'acquisto di un nuovo dispositivo o smaltirlo nei punti di raccolta autorizzati. Ulteriori informazioni sono disponibili sul sito: www.recyclethis.info.



Regolamento (UE) 2023/1542 (Regolamento sulle batterie): questo prodotto contiene una batteria ed è conforme al Regolamento (UE) 2023/1542. La batteria non può essere smaltita come rifiuto urbano indifferenziato nell'Unione Europea. Consultare la documentazione del prodotto per informazioni specifiche sulla batteria. La batteria è contrassegnata con questo simbolo, che può includere lettere per indicare cadmio (Cd) o piombo (Pb). Per un corretto riciclaggio, restituire la batteria al fornitore o a un punto di raccolta designato. Per ulteriori informazioni, vedere: www.recyclethis.info.

Avvertenze e precauzioni

Istruzioni per la sicurezza: Le presenti istruzioni hanno lo scopo di garantire che l'utente utilizzi il prodotto in modo corretto, evitando situazioni di pericolo o danni materiali.

Leggi e regolamenti: Il dispositivo deve essere utilizzato rispettando le leggi locali, le norme sulla sicurezza elettrica e le norme sulla prevenzione degli incendi.

Elettricità: Durante l'uso del prodotto è indispensabile rispettare rigorosamente le normative nazionali e locali sulla sicurezza elettrica. L'attrezzatura non deve essere esposta a schizzi o gocciolamenti di liquidi; allo stesso modo, non si devono poggiare sull'attrezzatura oggetti contenenti liquidi, ad esempio vasi.

Prevenzione degli incendi: Non collocare sull'attrezzatura sorgenti di fiamme libere, quali candele accese.

Emergenza: Se il dispositivo emette fumo, odori o rumori, spegnerlo immediatamente e scollegare il cavo di alimentazione, quindi rivolgersi a un centro di assistenza.

Ambiente di utilizzo: Dispositivo alimentato da tensione di sicurezza extra-bassa (SELV): la fonte di alimentazione deve soddisfare i requisiti di alimentazione limitata o PS2 secondo lo standard IEC 60950-1 o IEC 62368-1. Dispositivo alimentato da tensione di alimentazione di rete CA: l'apparecchiatura deve essere collegata a una presa di corrente con messa a terra.

Illuminatore a luce bianca (se supportato): Questo prodotto emette radiazioni ottiche potenzialmente pericolose. NON fissare la fonte di luce in funzione. Potrebbe essere dannoso per gli occhi. Indossare protezioni per gli occhi appropriate o NON accendere la luce bianca quando si assembla, installa o si esegue la manutenzione della telecamera.

Ambiente di utilizzo: NON posizionare la telecamera in luoghi estremamente caldi, freddi, polverosi o umidi e non esporla a radiazioni elettromagnetiche elevate.

Installazione: Installare l'apparecchiatura secondo le istruzioni contenute nel presente manuale.

Trasporto: conservare il dispositivo nell'imballaggio originale o simile durante il trasporto.

Sicurezza del sistema: l'installatore e l'utente sono responsabili della password e della configurazione di sicurezza.

Manutenzione: Se il prodotto non funziona correttamente, contattare il rivenditore o il centro di assistenza più vicino. Non ci assumiamo alcuna responsabilità per problemi causati da riparazioni o manutenzioni non autorizzate.

Pulizia: Utilizzare un panno morbido e asciutto per pulire le superfici interne ed esterne della cover del prodotto. Non utilizzare detersivi alcalini.

Riflessione: Assicurarsi che non ci sia alcuna superficie riflettente molto vicina all'obiettivo del dispositivo. La luce a infrarossi del dispositivo può riflettersi e tornare indietro nell'obiettivo provocando riflessi.

Declaración de conformidad de la UE



Este producto y los accesorios incluidos —si procede— tienen la marca «CE» y, por lo tanto, cumplen con las normativas europeas armonizadas aplicables recogidas en la Directiva 2014/30/UE en materia de compatibilidad electromagnética, la Directiva 2014/35/UE en materia de comercialización de material eléctrico destinado a utilizarse con determinados límites de tensión, la Directiva 2011/65/UE sobre restricciones a la utilización de determinadas sustancias peligrosas en aparatos eléctricos y electrónicos y la Directiva Wi-Fi 2014/53/UE sobre la comercialización de equipos radioeléctricos.



Directiva 2012/19/UE (directiva RAEE): En la Unión Europea, los productos marcados con este símbolo no pueden ser desechados en el sistema de basura municipal sin recogida selectiva. Para un de compra del equipo nuevo equivalente o deshágase de él en el punto de recogida designado a tal efecto. Para más información visite : www.recyclethis.info.



Reglamento (UE) 2023/1542 (Reglamento sobre baterías): Este producto contiene una batería y cumple con el Reglamento (UE) 2023/1542. La batería no se puede desechar como residuo municipal sin clasificar en la Unión Europea. Consulte la documentación del producto para obtener información específica sobre la batería. La batería está marcada con este símbolo, que puede incluir letras para indicar cadmio (Cd) o plomo (Pb). Para reciclarla correctamente, devuelva la batería a su proveedor o a un punto de recogida designado. Para obtener más información, consulte: www.recyclethis.info.

Advertencias y precauciones

Instrucciones de seguridad: Estas instrucciones tienen como objetivo garantizar que el usuario pueda utilizar el producto correctamente para evitar peligros o pérdidas materiales.

Leyes y reglamentos: El dispositivo debe utilizarse de conformidad con las leyes locales, las normas de seguridad eléctrica y las normas de prevención de incendios.

Electricidad: Al utilizar el producto, debe cumplir estrictamente con las normas de seguridad eléctrica del país y la región. El equipo no debe exponerse a goteos ni salpicaduras y no se deben colocar objetos llenos de líquido, como jarrones, sobre el equipo.

Prevención de incendios: No se deben colocar fuentes de llamas expuestas, como velas encendidas, sobre el equipo.

Emergencia: Si sale humo, olor o ruido del dispositivo, apáguelo inmediatamente, desenchufe el cable de alimentación y comuníquese con el centro de servicio.

Fuente de alimentación: Dispositivo alimentado por voltaje extra bajo de seguridad (SELV): La fuente de alimentación debe cumplir con los requisitos de fuente de alimentación limitada o PS2 según la norma IEC 60950-1 o IEC 62368-1. Dispositivo alimentado por voltaje de red de CA: El equipo debe estar conectado a una toma de corriente con conexión a tierra.

Iluminador de luz blanca (si es compatible): Este producto emite radiación óptica posiblemente peligrosa. NO mire fijamente la fuente de luz en funcionamiento. Puede ser perjudicial para los ojos. Use protección ocular adecuada o NO encienda la luz blanca cuando ensamble, instale o realice el mantenimiento de la cámara.

Entorno de uso: NO coloque la cámara en lugares extremadamente calientes, fríos, polvorientos o húmedos, y no la exponga a una alta radiación electromagnética.

Instalación: Instale el equipo de acuerdo con las instrucciones de este manual.

Transporte: Mantenga el dispositivo en su embalaje original o similar mientras lo transporta.

Seguridad del sistema: El instalador y el usuario son responsables de la configuración de contraseñas y seguridad.

Mantenimiento: Si el producto no funciona correctamente, comuníquese con su distribuidor o el centro de servicio más cercano. No asumiremos ninguna responsabilidad por problemas causados por reparaciones o mantenimiento no autorizados.

Limpieza: Utilice un paño suave y seco para limpiar las superficies internas y externas de la cubierta del producto. No utilice detergentes alcalinos.

Reflexión: Asegúrese de que no haya ninguna superficie reflectante demasiado cerca de la lente del dispositivo. La luz infrarroja del dispositivo puede reflejarse en la lente y causar reflejos.



Manufacturer: Shenzhen Kean Digital co.,Ltd.

Address: Room 1001, Rujun Building, No. 105, Zhongxing Road, Ma'antang Community, Bantian Street, Longgang District, Shenzhen, 518129, China.

Help center: <https://help.annke.com>

Tech Support: support@annke.com

UK	REP
----	-----

THEMIS AR support ltd
85 Great Portland St, London, United Kingdom, W1W 7LT
legal@themisar.com

EC	REP
----	-----

THEMIS AR Unterstützung UG
Beedstrasse 54, In Dusseldorf, (40468), Deutschland
legal@themisar.com



Made in China