

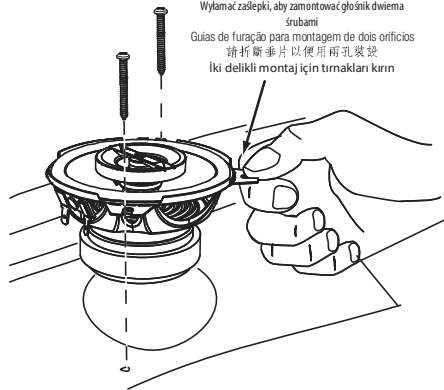
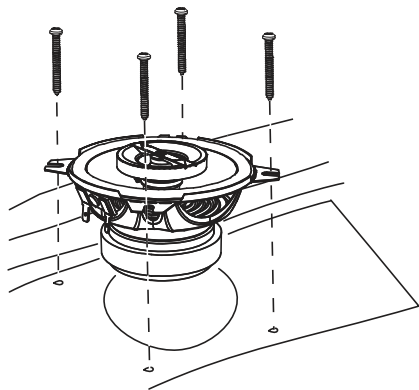
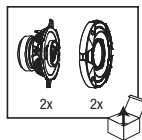
# JBL® GT7 SERIES

car audio speaker  
car-audio lautsprecher  
haut-parleur pour voiture  
altavoz de audio para auto-  
móvil  
audioluidspreker voor in de  
auto  
diffusore audio per auto-  
mobile  
bilhögtalare  
bilhöjtaler  
autokaiutin  
カーオーディオ・スピーカー  
车载扬声器  
автомобильный  
громкоговоритель  
głośnik samochodowy  
coluna de som para automó-  
vel  
車用音響喇叭  
araç hoparlörü



**INSTALLATION MANUAL**  
**EINBAUANLEITUNG**  
**GUIDE D'INSTALLATION**  
**MANUAL DE INSTALACIÓN**  
**MONTAGEHANDLEIDING**  
**INSTALLAZIONE MANUALE**  
**INSTALLATIONS MANUAL**  
**INSTALLATIONSVEJLEDNING**  
**A SENNUSOHJE**  
**取付説明書**  
**安裝手冊**  
**РУКОВОДСТВО ПО**  
**УСТАНОВКЕ**  
**PODRĘCZNIK INSTALACJI**  
**MANUAL DE INSTALAÇÃO**  
**安裝手冊**  
**KURULUM KILAVUZU**

## GT7-4



Break off tabs for two-hole mounting  
Für die 2-Lochmontierung die Klappen herausbrechen  
Languettes sécables pour montage à deux trous  
Romper las pestañas para montaje de doble agujero

Afbreektabs voor twee-gatsmontage  
Lingette di apertura per montaggio a doppio foro

Bryt av flikar för två hål montering

Afbrækkelige tapper til to-huls-montering  
kaksireikäiselle asennukselle

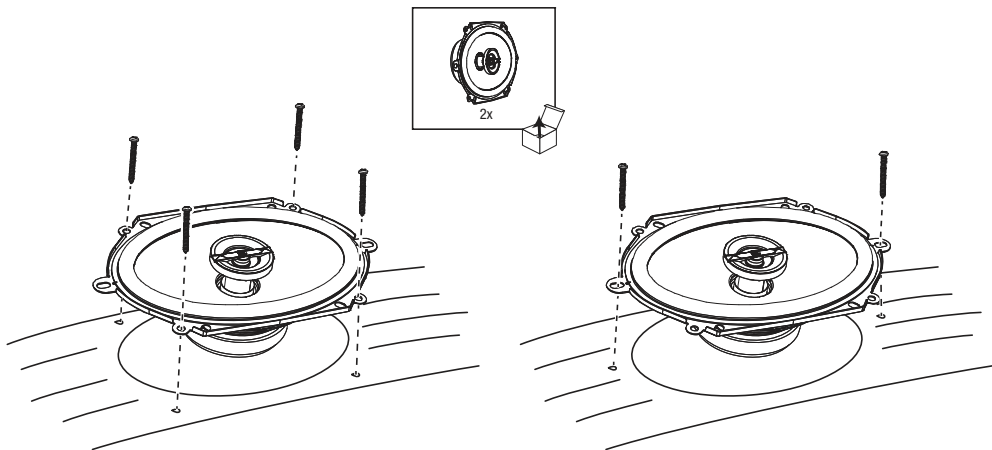
2穴マウント用爪(取付前に折り取る)  
折断用于双孔安装的接片

Отрывное ушко для двух гнезд крепления  
Wylamać zaślepki, aby zamontować głośnik dwiema  
śrubami

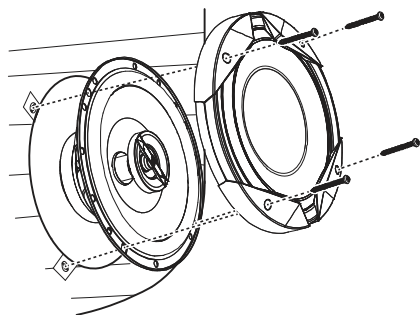
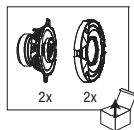
Guias de furação para montagem de dois orifícios  
請折斷垂片以便用兩孔裝設

İki delikli montaj için tırnakları kırın

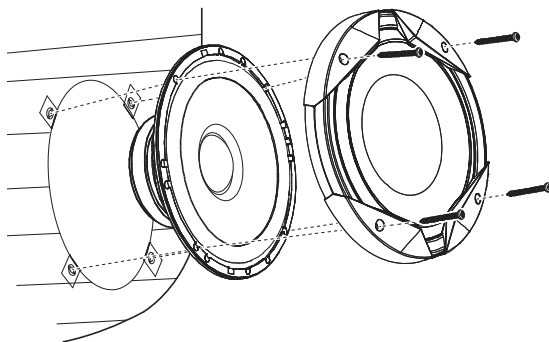
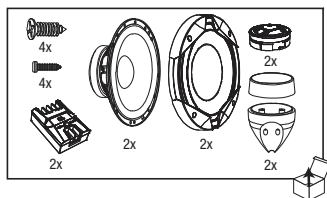
GT7-86



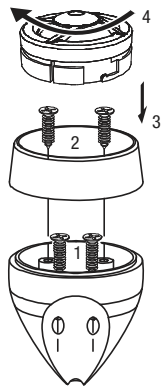
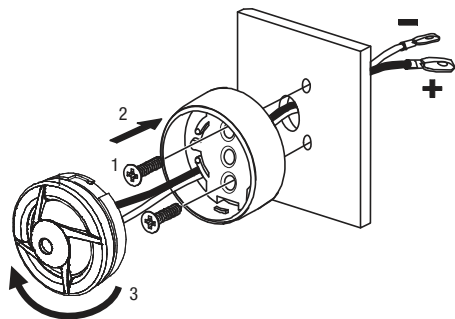
## GT7-5, GT7-6, GT7-96



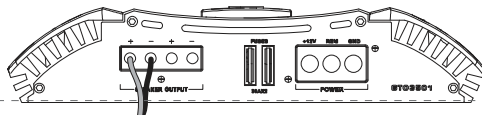
## GT7-5C, GT7-6C



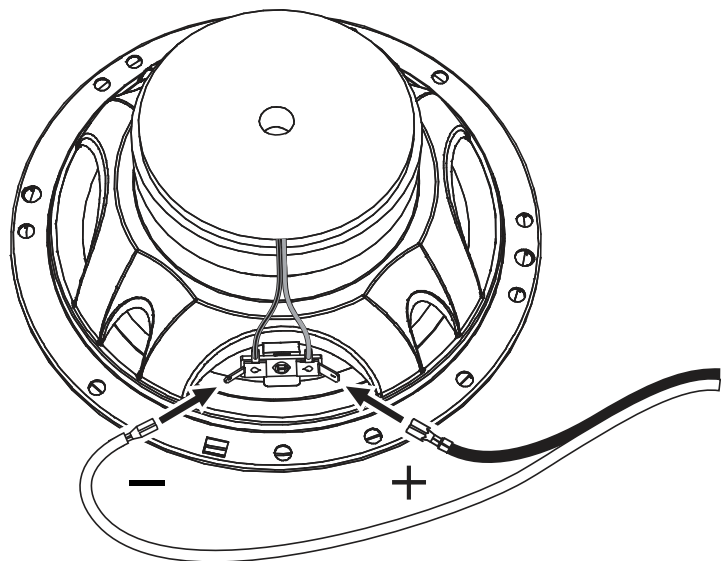
## GT7-5C, GT7-6C

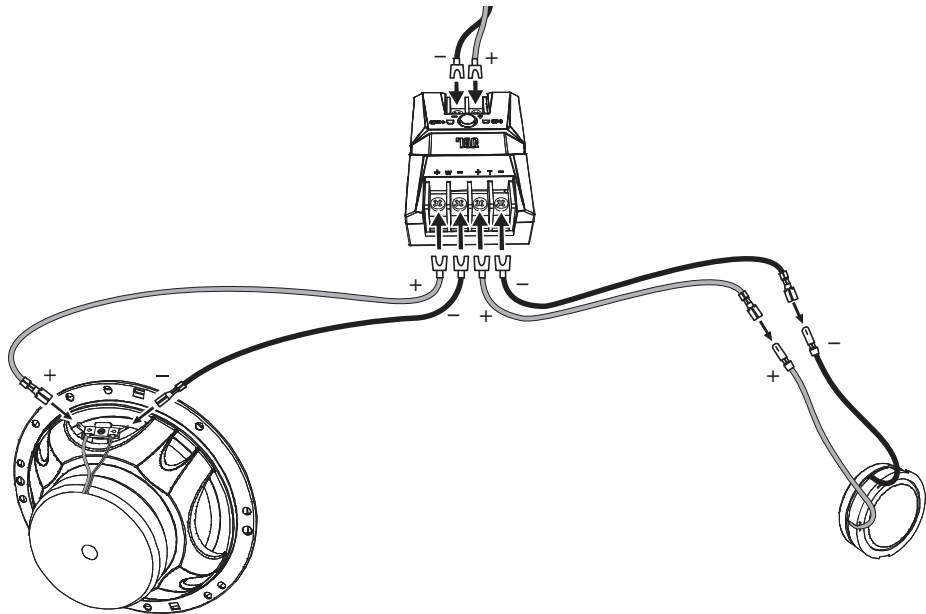


## GT7-5C, GT7-6C



**GT7-4, GT7-5, GT7-6,  
GT7-86, GT7-96**





## SPECIFICATIES

	GT7-4	GT7-5	GT7-6	GT7-86	GT7-96	GT7-5C	GT7-6C
<b>Type</b>	4" twee-weg/luidspreker	5-1/4" twee-weg/luidspreker	6-1/2" twee-weg/luidspreker	5" x 7" / 6" x 8" twee-weg/luidspreker	6" x 9" drie-weg/luidspreker	5-1/4" två-vägs component system	6-1/2" två-vägs component system
<b>Continuüermogen afhandeling</b>	30W	35W	45W	60W	70W	45W	50W
<b>Pieküermogen afhandeling</b>	90W	105W	135W	180W	210W	135W	150W
<b>Frequentiebereik</b>	75Hz – 20kHz	70Hz – 20kHz	55Hz – 21kHz	45Hz – 20kHz	55Hz – 21kHz	65Hz – 20kHz	50Hz – 20kHz
<b>Nominale impedantie</b>	4 ohms	4 ohms	4 ohms	4 ohms	4 ohms	4 ohms	4 ohms
<b>Gevoeligheid 2,83V @ 1 meter</b>	90dB	93dB	93dB	93dB	94dB	92dB	92dB
<b>Uitwendige diameter</b>	3-29/32" (99mm)	5-1/8" (130mm)	6-9/16" (160mm)	9-1/16" x 5-11/16" (229mm x 144mm)	9-5/16" x 6-1/2" (235mm x 164mm)	5-1/8" (130mm)	6-9/16" (166mm)
<b>Montage uitsparingsdiameter</b>	3-15/32" (88mm)	4-3/4" (120mm)	5-11/16" (143mm)	7-3/16" x 4-15/16" (182mm x 125mm)	8-3/4" x 5-15/16" (221mm x 150mm)	4-3/4" (120mm)	5-11/16" (143mm)
<b>Totale diepte</b>	2-7/16" (82mm)	2-5/8" (66mm)	2-3/4" (68mm)	2-3/4" (68mm)	3-7/16" (86mm)	2-1/2" (63mm)	2-11/16" (66mm)
<b>Inbouwdiepte</b>	2" (51mm)	2-1/4" (67mm)	2-3/8" (59mm)	2-7/32" (56mm)	2-15/16" (74mm)	2-1/4" (67mm)	2-3/8" (59mm)

## SPECIFIKATIONER

	GT7-4	GT7-5	GT7-6	GT7-86	GT7-96	GT7-5C	GT7-6C
<b>Type</b>	4" två-vägs högtalare	5-1/4" två-vägs högtalare	6-1/2" två-vägs högtalare	5" x 7" / 6" x 8" två-vägs högtalare	6" x 9" tre-vägs högtalare	5-1/4" två-vägs komponentsystem	6-1/2" två-vägs komponentsystem
<b>Kontinuerlig märkeffekt</b>	30W	35W	45W	60W	70W	45W	50W
<b>Toppeffekt hantering</b>	90W	105W	135W	180W	210W	135W	150W
<b>Frekvensområde</b>	75Hz – 20kHz	70Hz – 20kHz	55Hz – 21kHz	45Hz – 20kHz	55Hz – 21kHz	65Hz – 20kHz	50Hz – 20kHz
<b>Nominal impedans</b>	4 ohms	4 ohms	4 ohms	4 ohms	4 ohms	4 ohms	4 ohms
<b>Känslighet 2,83V @ 1 meter</b>	90dB	93dB	93dB	93dB	94dB	92dB	92dB
<b>Yttre diameter</b>	3-29/32" (99mm)	5-1/8" (130mm)	6-9/16" (160mm)	9-1/16" x 5-11/16" (229mm x 144mm)	9-5/16" x 6-1/2" (235mm x 164mm)	5-1/8" (130mm)	6-9/16" (166mm)
<b>Montering utskuren diameter</b>	3-15/32" (88mm)	4-3/4" (120mm)	5-11/16" (143mm)	7-3/16" x 4-15/16" (182mm x 125mm)	8-3/4" x 5-15/16" (221mm x 150mm)	4-3/4" (120mm)	5-11/16" (143mm)
<b>Totalt djup</b>	2-7/16" (82mm)	2-5/8" (66mm)	2-3/4" (68mm)	2-3/4" (68mm)	3-7/16" (86mm)	2-1/2" (63mm)	2-11/16" (66mm)
<b>Monteringsdjup</b>	2" (51mm)	2-1/4" (67mm)	2-3/8" (59mm)	2-7/32" (56mm)	2-15/16" (74mm)	2-1/4" (67mm)	2-3/8" (59mm)

## SPECIFICHE

	GT7-4	GT7-5	GT7-6	GT7-86	GT7-96	GT7-5C	GT7-6C
<b>Tipo</b>	4" diffusore a due vie	5-1/4" diffusore a due vie	6-1/2" diffusore a due vie	5" x 7" / 6" x 8" diffusore a due vie	6" x 9" diffusore a tre vie	5-1/4" sistema componente a due vie	6-1/2" sistema componente a due vie
<b>Gestione continua corrente</b>	30W	35W	45W	60W	70W	45W	50W
<b>Gestione corrente picco</b>	90W	105W	135W	180W	210W	135W	150W
<b>Risposta in frequenza</b>	75Hz – 20kHz	70Hz – 20kHz	55Hz – 21kHz	45Hz – 20kHz	55Hz – 21kHz	65Hz – 20kHz	50Hz – 20kHz
<b>Impedenza nominale</b>	4 ohms	4 ohms	4 ohms	4 ohms	4 ohms	4 ohms	4 ohms
<b>Sensibilità 2,83V @ 1 metro</b>	90dB	93dB	93dB	93dB	94dB	92dB	92dB
<b>Diametro esterno</b>	3-29/32" (99mm)	5-1/8" (130mm)	6-9/16" (160mm)	9-1/16" x 5-11/16" (229mm x 144mm)	9-5/16" x 6-1/2" (235mm x 164mm)	5-1/8" (130mm)	6-9/16" (166mm)
<b>Diametro soglia di montaggio</b>	3-15/32" (88mm)	4-3/4" (120mm)	5-11/16" (143mm)	7-3/16" x 4-15/16" (182mm x 125mm)	8-3/4" x 5-15/16" (221mm x 150mm)	4-3/4" (120mm)	5-11/16" (143mm)
<b>Profondità totale</b>	2-7/16" (82mm)	2-5/8" (66mm)	2-3/4" (68mm)	2-3/4" (68mm)	3-7/16" (86mm)	2-1/2" (63mm)	2-11/16" (66mm)
<b>Profondità di montaggio</b>	2" (51mm)	2-1/4" (67mm)	2-3/8" (59mm)	2-7/32" (56mm)	2-15/16" (74mm)	2-1/4" (67mm)	2-3/8" (59mm)

## ESPECIFICAÇÕES

	GT7-4	GT7-5	GT7-6	GT7-86	GT7-96	GT7-5C	GT7-6C
<b>Tipo</b>	4* abafante de duas vias	5-1/4* abafante de duas vias	6-1/2* abafante de duas vias	5" x 7" / 6" x 8" abafante de duas vias	6" x 9" abafante de três vias	5-1/4" componente sistema de duas vias	6-1/2" componente sistema de duas vias
<b>Potência Contínua em funcionamento</b>	30W	35W	45W	60W	70W	45W	50W
<b>Pico de Potência em funcionamento</b>	90W	105W	135W	180W	210W	135W	150W
<b>Frequência de resposta</b>	75Hz – 20kHz	70Hz – 20kHz	55Hz – 20kHz	45Hz – 20kHz	40Hz – 21kHz	65Hz – 20kHz	50Hz – 20kHz
<b>Impedância nominal</b>	4 ohms	4 ohms	4 ohms	4 ohms	4 ohms	4 ohms	4 ohms
<b>Sensibilidade (2,83V @ 1m)</b>	90dB	93dB	93dB	93dB	94dB	92dB	92dB
<b>Diâmetro exterior</b>	3-29/32" (99mm)	5-1/8" (130mm)	6-9/16" (166mm)	9-1/16" x 5-11/16" (229mm x 144mm)	9-5/16" x 6-1/2" (235mm x 164mm)	5-1/8" (130mm)	6-9/16" (166mm)
<b>Diâmetro do corte de montagem</b>	3-15/32" (88mm)	4-3/4" (120mm)	5-11/16" (143mm)	7-3/16" x 4-15/16" (182mm x 125mm)	8-3/4" x 6-15/16" (221mm x 150mm)	4-3/4" (120mm)	5-11/16" (143mm)
<b>Profundidade total</b>	2-7/16" (62mm)	2-5/8" (69mm)	2-3/4" (69mm)	2-3/4" (69mm)	3-7/16" (86mm)	2-1/2" (63mm)	2-11/16" (66mm)
<b>Profundidade de montagem</b>	2" (51mm)	2-1/4" (57mm)	2-3/8" (59mm)	2-7/32" (56mm)	2-15/16" (74mm)	2-1/4" (57mm)	2-3/8" (59mm)

## 規格

	GT7-4	GT7-5	GT7-6	GT7-86	GT7-96	GT7-5C	GT7-6C
<b>類型</b>	4* 雙向喇叭	5-1/4* 雙向喇叭	6-1/2* 雙向喇叭	5" x 7" / 6" x 8" 雙向喇叭	6" x 9" 三向喇叭	5-1/4* 雙向元件系統	6-1/2* 雙向元件系統
<b>連續供電處理</b>	30W	35W	45W	60W	70W	45W	50W
<b>尖峰供電處理</b>	90W	105W	135W	180W	210W	135W	150W
<b>頻率反應</b>	75Hz – 20kHz	70Hz – 20kHz	55Hz – 20kHz	45Hz – 20kHz	40Hz – 21kHz	65Hz – 20kHz	50Hz – 20kHz
<b>標稱阻抗</b>	4 ohms	4 ohms	4 ohms	4 ohms	4 ohms	4 ohms	4 ohms
<b>靈敏度 (2.83V/m)</b>	90dB	93dB	93dB	93dB	94dB	92dB	92dB
<b>外徑直徑</b>	3-29/32" (99mm)	5-1/8" (130mm)	6-9/16" (166mm)	9-1/16" x 5-11/16" (229mm x 144mm)	9-5/16" x 6-1/2" (235mm x 164mm)	5-1/8" (130mm)	6-9/16" (166mm)
<b>托架輪廓直徑</b>	3-15/32" (88mm)	4-3/4" (120mm)	5-11/16" (143mm)	7-3/16" x 4-15/16" (182mm x 150mm)	8-3/4" x 6-15/16" (221mm x 150mm)	4-3/4" (120mm)	5-11/16" (143mm)
<b>總厚度</b>	2-7/16" (62mm)	2-5/8" (69mm)	2-3/4" (69mm)	2-3/4" (69mm)	3-7/16" (86mm)	2-1/2" (63mm)	2-11/16" (66mm)
<b>裝嵌後之厚度</b>	2" (51mm)	2-1/4" (57mm)	2-3/8" (59mm)	2-7/32" (56mm)	2-15/16" (74mm)	2-1/4" (57mm)	2-3/8" (59mm)

## TEKNIK ÖZELLİKLER

	GT7-4	GT7-5	GT7-6	GT7-86	GT7-96	GT7-5C	GT7-6C
<b>Tip</b>	4* iki yönlü hoparlör	5-1/4* iki yönlü hoparlör	6-1/2* iki yönlü hoparlör	5" x 7" / 6" x 8" iki yönlü hoparlör	6" x 9" üç yönlü hoparlör	5-1/4" iki yönlü bileşen sistemi	6-1/2" iki yönlü bileşen sistemi
<b>Kesintisiz güç kullanımı</b>	30W	35W	45W	60W	70W	45W	50W
<b>Tepe gücü kullanımı</b>	90W	105W	135W	180W	210W	135W	150W
<b>Frekans Tepkisi</b>	75Hz – 20kHz	70Hz – 20kHz	55Hz – 20kHz	45Hz – 20kHz	40Hz – 21kHz	65Hz – 20kHz	50Hz – 20kHz
<b>Nominal Empeđans</b>	4 ohms	4 ohms	4 ohms	4 ohms	4 ohms	4 ohms	4 ohms
<b>Duyarlılık (2.83V, 1m)</b>	90dB	93dB	93dB	93dB	94dB	92dB	92dB
<b>Harici çap</b>	3-29/32" (99mm)	5-1/8" (130mm)	6-9/16" (166mm)	9-1/16" x 5-11/16" (229mm x 144mm)	9-5/16" x 6-1/2" (235mm x 164mm)	5-1/8" (130mm)	6-9/16" (166mm)
<b>Montaj kesici çapı</b>	3-15/32" (88mm)	4-3/4" (120mm)	5-11/16" (143mm)	7-3/16" x 4-15/16" (182mm x 125mm)	8-3/4" x 5-15/16" (221mm x 150mm)	4-3/4" (120mm)	5-11/16" (143mm)
<b>Toplam derinlik</b>	2-7/16" (62mm)	2-5/8" (69mm)	2-3/4" (69mm)	2-3/4" (69mm)	3-7/16" (86mm)	2-1/2" (63mm)	2-11/16" (66mm)
<b>Montaj derinliği</b>	2" (51mm)	2-1/4" (57mm)	2-3/8" (59mm)	2-7/32" (56mm)	2-15/16" (74mm)	2-1/4" (57mm)	2-3/8" (59mm)

## TECHNISCHE DATEN

	GT7-4	GT7-5	GT7-6	GT7-86	GT7-96	GT7-5C	GT7-6C
<b>Typ</b>	4" 2-Wege Lautsprecher	5-1/4" 2-Wege Lautsprecher	6-1/2" 2-Wege Lautsprecher	5" x 7" / 6" x 8" 2-Wege Lautsprecher	6" x 9" 3-Wege Lautsprecher	5-1/4" 2-Wege Komponentensystem	6-1/2" 2-Wege Komponentensystem
<b>Dauerbelastbarkeit</b>	30 W	35 W	45 W	60 W	70 W	45 W	50 W
<b>Spitzenbelastbarkeit</b>	90 W	105 W	135 W	180 W	210 W	135 W	150 W
<b>Frequenzbereich</b>	75 Hz – 20 kHz	70 Hz – 20 kHz	55 Hz – 21 kHz	45 Hz – 20 kHz	40 Hz – 21 kHz	65 Hz – 20 kHz	50 Hz – 20 kHz
<b>Nennimpedanz</b>	4 ohm	4 ohm	4 ohm	4 ohm	4 ohm	4 ohm	4 ohm
<b>Wirkungsgrad @ 2,83V/1 Meter</b>	90 dB	93 dB	93 dB	93 dB	94 dB	92 dB	92 dB
<b>Außendurchmesser</b>	99 mm	130 mm	166 mm	229mm x 144mm	235mm x 164mm	130mm	166mm
<b>Durchmesser des Montageausschnittes</b>	88 mm	120 mm	143 mm	182mm x 125mm	221mm x 150mm	120mm	143mm
<b>Vollständige Tiefe</b>	62 mm	66 mm	68 mm	68mm	66mm	63mm	66mm
<b>Einbautiefe</b>	51 mm	57 mm	59 mm	56mm	74mm	57mm	59mm

## CARACTÉRISTIQUES

	GT7-4	GT7-5	GT7-6	GT7-86	GT7-96	GT7-5C	GT7-6C
<b>Typ</b>	4" haut-parleur deux voies	5-1/4" haut-parleur deux voies	6-1/2" haut-parleur deux voies	5" x 7" / 6" x 8" haut-parleur deux voies	6" x 9" haut-parleur trois voies	5-1/4" système composant deux voies	6-1/2" système composant deux voies
<b>Puissance continue admissible</b>	30W	35W	45W	60W	70W	45W	50W
<b>Puissance crête admissible</b>	90W	105W	135W	180W	210W	135W	150W
<b>Réponse en fréquence</b>	75Hz – 20kHz	70Hz – 20kHz	55Hz – 21kHz	45Hz – 20kHz	55Hz – 21kHz	65Hz – 20kHz	50Hz – 20kHz
<b>Impédance nominale</b>	4 ohms	4 ohms	4 ohms	4 ohms	4 ohms	4 ohms	4 ohms
<b>Sensibilité @ 2,83V/1m</b>	90dB	93dB	93dB	93dB	94dB	92dB	92dB
<b>Diamètre extérieur</b>	3-29/32" (99mm)	5-1/8" (130mm)	6-9/16" (166mm)	9-1/16" x 5-11/16" (229mm x 144mm)	9-5/16" x 6-1/2" (235mm x 164mm)	5-1/8" (130mm)	6-9/16" (166mm)
<b>Diamètre de découpe</b>	3-15/32" (88mm)	4-3/4" (120mm)	5-11/16" (143mm)	7-3/16" x 4-15/16" (182mm x 125mm)	8-3/4" x 5-15/16" (221mm x 150mm)	4-3/4" (120mm)	5-11/16" (143mm)
<b>Profondeur totale</b>	2-7/16" (62mm)	2-5/8" (66mm)	2-9/4" (68mm)	2-3/4" (68mm)	3-7/16" (66mm)	2-1/2" (63mm)	2-11/16" (66mm)
<b>Profondeur de montage</b>	2" (51mm)	2-1/4" (57mm)	2-3/8" (59mm)	2-7/32" (56mm)	2-15/16" (74mm)	2-1/4" (57mm)	2-3/8" (59mm)

## ESPECIFICACIONES

	GT7-4	GT7-5	GT7-6	GT7-86	GT7-96	GT7-5C	GT7-6C
<b>Typo</b>	4" altavoces de dos vías	5-1/4" altavoces de dos vías	6-1/2" altavoces de dos vías	5" x 7" / 6" x 8" altavoces de dos vías	6" x 9" altavoces de tres vías	5-1/4" componente de sistema de dos vías	6-1/2" componente de sistema de dos vías
<b>Manejo de potencia continua</b>	30W	35W	45W	60W	70W	45W	50W
<b>Manejo de potencia punta</b>	90W	105W	135W	180W	210W	135W	150W
<b>Respuesta en frecuencia</b>	75Hz – 20kHz	70Hz – 20kHz	55Hz – 21kHz	45Hz – 20kHz	55Hz – 21kHz	65Hz – 20kHz	50Hz – 20kHz
<b>Impedancia nominal</b>	4 ohms	4 ohms	4 ohms	4 ohms	4 ohms	4 ohms	4 ohms
<b>Sensibilidad 2.83V @ 1 metro</b>	90dB	93dB	93dB	93dB	94dB	92dB	92dB
<b>Diámetro exterior</b>	3-29/32" (99mm)	5-1/8" (130mm)	6-9/16" (166mm)	9-1/16" x 5-11/16" (229mm x 144mm)	9-5/16" x 6-1/2" (235mm x 164mm)	5-1/8" (130mm)	6-9/16" (166mm)
<b>Montaje de diámetro recorte</b>	3-15/32" (88mm)	4-3/4" (120mm)	5-11/16" (143mm)	7-3/16" x 4-15/16" (182mm x 125mm)	8-3/4" x 5-15/16" (221mm x 150mm)	4-3/4" (120mm)	5-11/16" (143mm)
<b>Profundidad total</b>	2-7/16" (62mm)	2-5/8" (66mm)	2-9/4" (68mm)	2-3/4" (68mm)	3-7/16" (66mm)	2-1/2" (63mm)	2-11/16" (66mm)
<b>Profundidad de montaje</b>	2" (51mm)	2-1/4" (57mm)	2-3/8" (59mm)	2-7/32" (56mm)	2-15/16" (74mm)	2-1/4" (57mm)	2-3/8" (59mm)

规格	GT7-4	GT7-5	GT7-6	GT7-86	GT7-96	GT7-5C	GT7-6C
类型	4" 二分频扬声器	5-1/4" 二分频扬声器	6-1/2" 二分频扬声器	5" x 7" / 6" x 8" 二分频扬声器	6" x 9" 三分频扬声器	5-1/4" 二分频分体式扬声器系统	6-1/2" 二分频分体式扬声器系统
持续功率	30瓦	35瓦	45瓦	60瓦	70瓦	45瓦	90瓦
峰值功率	90瓦	105瓦	135瓦	180瓦	210瓦	135瓦	150瓦
频响	75赫兹至-20千赫兹	70赫兹至-20kHz	65赫兹至-21kHz	45赫兹至-20kHz	40赫兹至-21kHz	65赫兹至-20kHz	50赫兹至-20kHz
标称阻抗	4欧	4欧	4欧	4欧	4欧	4欧	4欧
灵敏度 (2.83V/m)	90分贝	93分贝	93分贝	93分贝	94分贝	92分贝	92分贝
外径	3-29/32" (99mm)	5-1/8" (130mm)	6-9/16" (166mm)	9-1/16" x 5-11/16" (229mm x 144mm)	9-5/16" x 6-1/2" (235mm x 164mm)	5-1/8" (130mm)	6-9/16" (166mm)
安装开口直径	3-15/32" (88mm)	4-3/4" (120mm)	5-11/16" (143mm)	7-3/16" x 4-15/16" (182mm x 125mm)	8-3/4" x 5-15/16" (221mm x 150mm)	4-3/4" (120mm)	5-11/16" (143mm)
总厚度	2-7/16" (62mm)	2-5/8" (66mm)	2-3/4" (68mm)	2-3/4" (68mm)	3-7/16" (86mm)	2-1/2" (63mm)	2-11/16" (66mm)
安装深度	2" (51mm)	2-1/4" (57mm)	2-3/8" (59mm)	2-7/32" (56mm)	2-15/16" (74mm)	2-1/4" (57mm)	2-3/8" (59mm)

## ХАРАКТЕРИСТИКИ

	GT7-4	GT7-5	GT7-6	GT7-86	GT7-96	GT7-5C	GT7-6C
Тип	4" стерео спикер	5-1/4" стерео спикер	6-1/2" стерео спикер	5" x 7" / 6" x 8" стерео спикер	6" x 9" трекнакальный громкоговоритель	5-1/4" Высококачественная головка	6-1/2" Высококачественная головка
Мощность	30Вт	35Вт	45Вт	60Вт	70Вт	45Вт	90Вт
Пиковая мощность	90Вт	105Вт	135Вт	180Вт	210Вт	135Вт	150Вт
Диапазон частот	75Гц - 20кГц	70Гц - 20кГц	55Гц - 21кГц	45Гц - 20кГц	40Гц - 21кГц	65Гц - 20кГц	50Гц - 20кГц
Номинальный импеданс	4 Ом	4 Ом	4 Ом	4 Ом	4 Ом	4 Ом	4 Ом
Чувствительность (2,83 В в 1 м)	90дБ	93дБ	93дБ	93дБ	94дБ	92дБ	92дБ
Внешний диаметр	3-29/32" (99мм)	5-1/8" (130мм)	6-9/16" (166мм)	9-1/16" x 5-11/16" (229мм x 144мм)	9-5/16" x 6-1/2" (235мм x 164мм)	5-1/8" (130мм)	6-9/16" (166мм)
Монтажный диаметр	3-15/32" (88мм)	4-3/4" (120мм)	5-11/16" (143мм)	7-3/16" x 4-15/16" (182мм x 125мм)	8-3/4" x 5-15/16" (221мм x 150мм)	4-3/4" (120мм)	5-11/16" (143мм)
Глубина	2-7/16" (62мм)	2-5/8" (66мм)	2-3/4" (68мм)	2-3/4" (68мм)	3-7/16" (86мм)	2-1/2" (63мм)	2-11/16" (66мм)
Монтажная глубина	2" (51мм)	2-1/4" (57мм)	2-3/8" (59мм)	2-7/32" (56мм)	2-15/16" (74мм)	2-1/4" (57мм)	2-3/8" (59мм)

## DANE TECHNICZNE

	GT7-4	GT7-5	GT7-6	GT7-86	GT7-96	GT7-5C	GT7-6C
Typ	głośnik 2-drożny 4"	głośnik 2-drożny 5-1/4"	głośnik 2-drożny 6-1/2"	głośnik 2-drożny 5" x 7" / 6" x 8"	głośnik 3-drożny 6" x 9"	zestaw 2-drożny 5-1/4"	zestaw 2-drożny 6-1/2"
Moc RMS	30W	35W	45W	60W	70W	70W	50W
Moc szczytowa	90W	105W	135W	180W	210W	210W	150W
Pasma przenoszenia	75Hz - 20kHz	70Hz - 20kHz	55Hz - 21kHz	45Hz - 20kHz	40Hz - 21kHz	65Hz - 20kHz	50Hz - 20kHz
Impedancja	4 omy	4 omy	4 omy	4 omy	4 omy	4 omy	4 omy
Skuteczność (2,83V@1m)	90dB	93dB	93dB	93dB	94dB	92dB	92dB
Średnica głośnika	3-29/32" (99mm)	5-1/8" (130mm)	6-9/16" (166mm)	9-1/16" x 5-11/16" (229mm x 144mm)	9-1/4" x 6-1/2" (235mm x 165mm)	5-1/8" (130mm)	6-9/16" (166mm)
Średnica otworu montażowego	3-15/32" (88mm)	4-3/4" (120mm)	5-11/16" (143mm)	7-3/16" x 4-15/16" (182mm x 125mm)	8-3/4" x 5-15/16" (221mm x 150mm)	4-3/4" (120mm)	5-11/16" (143mm)
Głębokość głośnika	2-5/16" (59mm)	2-5/8" (66mm)	2-3/4" (68mm)	2-3/4" (68mm)	3-7/16" (86mm)	2-1/2" (63mm)	2-11/16" (66mm)
Głębokość montażu	2" (51mm)	2-1/4" (57mm)	2-3/8" (59mm)	2-7/32" (56mm)	2-15/16" (74mm)	2-1/4" (57mm)	2-3/8" (59mm)

## ESPECIFICAÇÕES

GT7-4

GT7-5

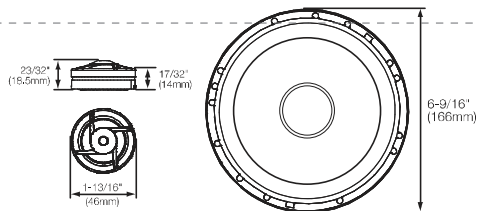
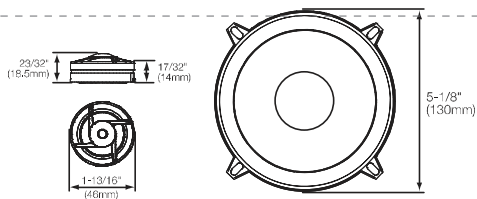
GT7-6

GT7-86

GT7-96

GT7-5C

GT7-6C



## SPECIFICATIONS

	GT7-4	GT7-5	GT7-6	GT7-86	GT7-96	GT7-9C	GT7-6C
<b>Type</b>	4" (100mm) two-way speaker	5-1/4" (130mm) two-way speaker	6-1/2" (165mm) two-way speaker	5" x 7" / 6" x 8" (152mm x 203mm) two-way speaker	6" x 9" (164mm x 235mm) three-way speaker	5-1/4" (130mm) two-way component system	5-1/2" (165mm) two-way component system
<b>Continuous power handling</b>	30W	35W	45W	60W	70W	45W	50W
<b>Peak power handling</b>	90W	105W	135W	180W	210W	135W	150W
<b>Frequency response</b>	75Hz – 20kHz	70Hz – 20kHz	55Hz – 20kHz	45Hz – 20kHz	40Hz – 21kHz	65Hz – 20kHz	60Hz – 20kHz
<b>Nominal impedance</b>	4 ohms	4 ohms	4 ohms	4 ohms	4 ohms	4 ohms	4 ohms
<b>Sensitivity (2.83V/m)</b>	90dB	93dB	93dB	93dB	94dB	92dB	92dB
<b>External diameter</b>	3-29/32" (99mm)	5-1/8" (130mm)	6-9/16" (166mm)	9-1/16" x 5-11/16" (229mm x 144mm)	9-5/16" x 6-1/2" (235mm x 164mm)	5-1/8" (130mm)	6-9/16" (166mm)
<b>Mounting cutout diameter</b>	3-15/32" (89mm)	4-3/4" (120mm)	5-11/16" (143mm)	7-3/16" x 4-15/16" (182mm x 125mm)	8-3/4" x 5-15/16" (221mm x 150mm)	4-3/4" (120mm)	5-11/16" (143mm)
<b>Total depth</b>	2-7/16" (62mm)	2-5/8" (66mm)	2-3/4" (69mm)	2-3/4" (69mm)	3-7/16" (86mm)	2-1/2" (63mm)	2-11/16" (66mm)
<b>Mounting depth</b>	2" (51mm)	2-1/4" (57mm)	2-3/8" (59mm)	2-7/32" (56mm)	2-15/16" (74mm)	2-1/4" (57mm)	2-3/8" (59mm)

## SPECIFIKATIONER

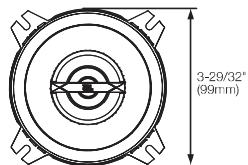
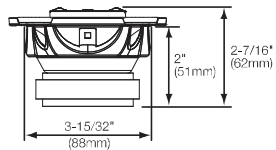
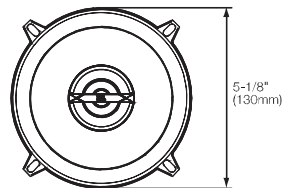
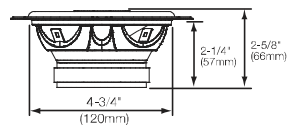
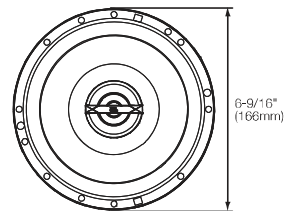
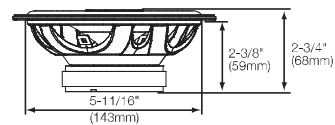
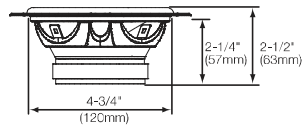
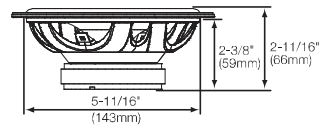
	G77-4	G77-5	G77-6	G77-86	G77-96	G77-5C	G77-6C
Type	4" tovejs-höjttalar	5-1/4" tovejs-höjttalar	6-1/2" tovejs-höjttalar	5" 7" / 6" x 8" tovejs-höjttalar	6" x 9" tvejs-höjttalar	5-1/4" tvejskomponentsystem	6-1/2" tvejskomponentsystem
Kontinuerlig strömstyring	30W	35W	45W	80W	70W	45W	50W
Spidsbelastning-strömstyring	90W	105W	135W	180W	210W	135W	150W
Frekvensgang	75Hz – 20kHz	70Hz – 20kHz	55Hz – 20kHz	45Hz – 20kHz	40Hz – 21kHz	65Hz – 20kHz	50Hz – 20kHz
Nominal impedans	4 ohms	4 ohms	4 ohms	4 ohms	4 ohms	4 ohms	4 ohms
Følsomhed 2,83V, 1m	90dB	93dB	93dB	93dB	94dB	92dB	92dB
Ekstern diameter	3-29/32" (99mm)	5-1/8" (130mm)	6-9/16" (166mm)	9-1/16" x 5-11/16" (229mm x 144mm)	9-5/16" x 6-1/2" (235mm x 164mm)	5-1/8" (130mm)	6-9/16" (166mm)
udskåret diameter	3-15/32" (88mm)	4-3/4" (120mm)	5-11/16" (143mm)	7-3/16" x 4-15/16" (182mm x 125mm)	8-3/4" x 5-15/16" (221mm x 150mm)	4-3/4" (120mm)	5-11/16" (143mm)
Total dybde	2-7/16" (62mm)	2-5/8" (68mm)	2-3/4" (68mm)	2-3/4" (68mm)	3-7/16" (68mm)	2-1/2" (63mm)	2-11/16" (66mm)
Monteringsdybde	2" (51mm)	2-1/4" (57mm)	2-3/8" (59mm)	2-7/32" (56mm)	2-15/16" (74mm)	2-1/4" (57mm)	2-3/8" (59mm)

## TEKNISET TIEDOT

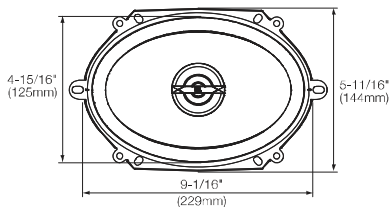
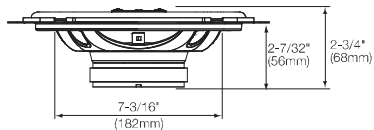
	G77-4	G77-5	G77-6	G77-86	G77-96	G77-5C	G77-6C
Tyyppi	4" kaksitekokuutin	5-1/4" kaksitekokuutin	6-1/2" kaksitekokuutin	5" 7" / 6" x 8" kaksitekokuutin	6" x 9" kolmitekokuutin	5-1/4" kaksite-tilissarja	6-1/2" kaksite-tilissarja
Continuous power handling	30W	35W	45W	80W	70W	45W	50W
Peak power handling	90W	105W	135W	180W	210W	135W	150W
Taajuusvaste	75Hz – 20kHz	70Hz – 20kHz	55Hz – 20kHz	45Hz – 20kHz	40Hz – 21kHz	65Hz – 20kHz	50Hz – 20kHz
Nimellisimpedanssi	4 ohmia	4 ohmia	4 ohmia	4 ohmia	4 ohmia	4 ohmia	4 ohmia
Herkkyyks 2,83V @ 1 m	90dB	93dB	93dB	93dB	94dB	92dB	92dB
ulkohalkaisija	3-29/32" (99mm)	5-1/8" (130mm)	6-9/16" (166mm)	9-1/16" x 5-11/16" (229mm x 144mm)	9-5/16" x 6-1/2" (235mm x 164mm)	5-1/8" (130mm)	6-9/16" (166mm)
asennusaukon halkaisija	3-15/32" (88mm)	4-3/4" (120mm)	5-11/16" (143mm)	7-3/16" x 4-15/16" (182mm x 125mm)	8-3/4" x 5-15/16" (221mm x 150mm)	4-3/4" (120mm)	5-11/16" (143mm)
kokonaissyvyys	2-7/16" (62mm)	2-5/8" (68mm)	2-3/4" (68mm)	2-3/4" (68mm)	3-7/16" (68mm)	2-1/2" (63mm)	2-11/16" (66mm)
asennussyvyys	2" (51mm)	2-1/4" (57mm)	2-3/8" (59mm)	2-7/32" (56mm)	2-15/16" (74mm)	2-1/4" (57mm)	2-3/8" (59mm)

## 仕様

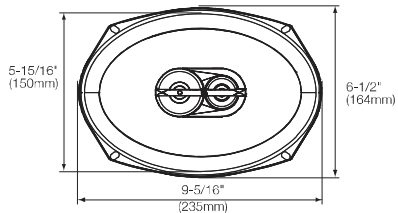
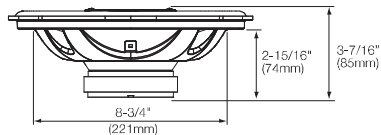
	G77-4	G77-5	G77-6	G77-86	G77-96	G77-5C	G77-6C
形式	4" 2ウェイ・スピーカー	5-1/4" 2ウェイ・スピーカー	6-1/2" 2ウェイ・スピーカー	5" 7" / 6" x 8" 2ウェイ・スピーカー	6" x 9" 3ウェイ・スピーカー	5-1/4" 2ウェイ・ コンボ・ネット・システム	6-1/2" 2ウェイ・ コンボ・ネット・システム
定格入力	30W	35W	45W	80W	70W	45W	50W
最大許容入力	90W	105W	135W	180W	210W	135W	150W
周波数特性	75Hz – 20kHz	70Hz – 20kHz	55Hz – 20kHz	45Hz – 20kHz	40Hz – 21kHz	65Hz – 20kHz	50Hz – 20kHz
インピーダンス	4オーム	4オーム	4オーム	4オーム	4オーム	4オーム	4オーム
出力音差レベル (2.83V/m)	90dB	93dB	93dB	93dB	94dB	92dB	92dB
外形寸法	3-29/32" (99mm)	5-1/8" (130mm)	6-9/16" (166mm)	9-1/16" x 5-11/16" (229mm x 144mm)	9-5/16" x 6-1/2" (235mm x 164mm)	5-1/8" (130mm)	6-9/16" (166mm)
取付穴径	3-15/32" (88mm)	4-3/4" (120mm)	5-11/16" (143mm)	7-3/16" x 4-15/16" (182mm x 125mm)	8-3/4" x 5-15/16" (221mm x 150mm)	4-3/4" (120mm)	5-11/16" (143mm)
最大奥行	2-7/16" (62mm)	2-5/8" (68mm)	2-3/4" (68mm)	2-3/4" (68mm)	3-7/16" (68mm)	2-1/2" (63mm)	2-11/16" (66mm)
埋め込み寸法	2" (51mm)	2-1/4" (57mm)	2-3/8" (59mm)	2-7/32" (56mm)	2-15/16" (74mm)	2-1/4" (57mm)	2-3/8" (59mm)

**GT7-4****GT7-5****GT7-6****GT7-5C****GT7-6C**

## GT7-86



## GT7-96



Торговая марка:

JBL

Назначение товара:

АВТОМОБИЛЬНАЯ АКУСТИЧЕСКАЯ СИСТЕМА

Изготовитель:

ХАРМАН ИНТЕРНЭШНЛ ИНДУСТРИЗ ИНКОРПОРЕЙТЕД, США, 06901 КОННЕКТИКУТ, Г.СТЭМФОРД, АТЛАНТИК СТРИТ 400, ОФИС 1500

Страна происхождения:

Китай

Импортер в Россию:

ООО "ХАРМАН РУС СиАйЭс", РОССИЯ, 123317, МОСКВА, ПРЕСНЕНСКАЯ НАБ, Д. 10

Гарантийный период:

1 год

Информация о сервисных центрах:

<http://ru.jbl.com> тел. +7-800-700-0467

Срок службы:

7 лет

Срок хранения:

не ограничен

Условия хранения:

Стандартные при нормальных значениях климатических факторов внешней среды

Номер документа соответствия:

Товар не подлежит обязательной сертификации. Информационное письмо от органа по сертификации «Ростест-Москва» (ЗАО «РОСТЕСТ») № 05-21/478 от 31.10.2013

HARMAN

HARMAN International Industries, Inc.  
8600 Balboa Boulevard, Northridge, CA 91329 USA

© 2014 HARMAN International Industries, Incorporated. All rights reserved.  
JBL is a trademark of HARMAN International Industries, Incorporated, registered in the United States and/or other countries.

Features, specifications and appearance are subject to change without notice.

© 2014 HARMAN International Industries, Incorporated. Alle Rechte vorbehalten.  
JBL ist eine Marke von Harman International Industries, Incorporated, eingetragen in den USA und/oder anderen Ländern.

Alle Leistungsmerkmale und Spezifikationen sowie das mechanische Design können sich ohne vorherige Ankündigung ändern.

© 2014 HARMAN International Industries, Incorporated. Tous droits réservés.  
JBL est une marque de Harman International Industries, Inc., déposée aux États-Unis et/ou dans d'autres pays.

Les fonctionnalités, les spécifications et l'aspect du produit peuvent être modifiés sans préavis.

© 2014 HARMAN International Industries, Incorporated. Reservados todos los derechos.  
JBL es una marca de Harman International Industries, Incorporated, registrada en los Estados Unidos y/u otros países.

Las funciones, las especificaciones y el formato están sujetos a cambios sin previo aviso.

© 2014 HARMAN International Industries, Incorporated. Alle rechten voorbehouden.  
JBL is een handelsmerk van Harman International Industries, Incorporated, geregistreerd in de Verenigde Staten en/of andere landen.

Eigenschappen, specificaties en vormgeving kunnen zonder voorafgaande kennisgeving worden gewijzigd.

© 2014 HARMAN International Industries, Incorporated. Tutti i diritti sono riservati.  
JBL è un marchio proprietario di Harman International Industries, Incorporated, registrato negli Stati Uniti e/o altre nazioni.

Funzionalità, specifiche e aspetto sono soggetti a modifica senza preavviso.

© 2014 HARMAN International Industries, Incorporated. Alla rättigheter reserverade.  
JBL är ett varumärke som tillhör Harman International Industries, Incorporated, som är registrerat i USA och/eller andra länder.

Funktioner, specifikationer och design kan komma att ändras utan föregående meddelande.

© 2014 HARMAN International Industries, Incorporated. Alle rettigheder forbeholdes.  
JBL varemærket tilhører Harman International Industries, Inc., registreret i USA og/eller andre lande.

Der forbeholdes ret til ændring af beskrivelse, specifikationer og udseende uden varsel.

© 2014 HARMAN International Industries, Incorporated. Kaikki oikeudet pidätetään.  
JBL on Harman International Industries, Incorporated:n tavaramerkki, joka on rekisteröity Yhdysvalloissa ja/tai muissa maissa.

Ominaisuuksia, teknisiä tietoja ja ulkoosua voidaan muuttaa ilman erillistä ilmoitusta.

© 2014 HARMAN International Industries, Incorporated. 無所複製・転載を禁じます。  
JBLは米国およびその他の国々におけるHarman International Industries, Incorporatedの登録商標です。

製品の仕様および外観は、改良のため予告無く変更する場合があります。

© 2014 HARMAN International Industries, Incorporated. 保留一切權利。  
JBL 为在美国及/或其它国家注册的特曼国际工业公司 (Harman International Industries, Incorporated) 的商標。

以上规格如有变更，恕不另行通知

© 2014 HARMAN International Industries, Incorporated. Все права защищены.  
JBL является торговой маркой Harman International Industries, Incorporated, зарегистрированной в США и/или других странах.

Функции, характеристики и внешний вид описываемых компонентов могут быть изменены без предварительного уведомления.

© 2014 HARMAN International Industries, Incorporated. Wszelkie prawa zastrzeżone.  
JBL to znak towarowy Harman International Industries, Incorporated zarejestrowane w Stanach Zjednoczonych i/lub innych krajach.

Cechy, dane techniczne i wygląd produktów mogą być przedmiotem zmian bez uprzedniego poinformowania.

© 2014 HARMAN International Industries, Incorporated. Todos os direitos reservados.  
JBL é uma marca comercial da Harman International Industries, Incorporated, registrada nos Estados Unidos e/ou outros países.

As funções, as especificações e o aspecto estão sujeitos a alteração sem aviso prévio.

© 2014 HARMAN International Industries, Incorporated. 保留所有權利。  
JBL 是 Harman International Industries, Incorporated 在美國及/或其他國家地區的註冊商標。

功能、規格和外觀如有更改，恕不另行通知。

© 2014 HARMAN International Industries, Incorporated. Tüm hakları saklıdır.  
JBL, Harman International Industries, Incorporated firmasının ABD ve/veya diğer ülkelerde tescillenmiş ticari markasıdır.

Özellikler, teknik özellikler ve görüntüsü önceden haber verilmeden değiştirilebilir.

