

# **BOTTOM FREEZER REFRIGERATOR**

## **Owner's Manual**

Please read this guide thoroughly before operating and keep it handy for reference at all times.

# **REFRIGERADOR CON CONGELADOR INFERIOR**

## **Manual de Usuario**

Lea detenidamente estas instrucciones antes de usar el refrigerador y guárdelas como referencia para el futuro.

**Models / Modelos**

**LFC22740\*\*, LFC20740\*\***

P/No. MFL37565601

# TABLE OF CONTENTS

<b>English Version</b>	2
<b>Spanish Version</b>	36
<b>Warranty (U.S.A.)</b>	3 - 4
<b>Safety Instructions</b>	5 - 6
Grounding Requirements	6
<b>Parts and Features</b>	7
<b>Refrigerator Installation</b>	8 - 16
Unpacking your refrigerator	8
Installation	8
Base Grille	8
Removing, Reversing and Replacing	
Your refrigerator doors	9 - 13
Pull out drawer	14
Leveling and door alignment	16
<b>Using your refrigerator</b>	17 - 25
Ensuring proper air circulation	17
Multi Flow	17
Door alarm	17
Setting the controls	17 - 18
Adjusting control settings	17
Food storage guide	19
Storing frozen food	19
<b>Refrigerator Section</b>	20
Refrigerator shelves	20
Chef Fresh	21
Crisper humidity control	21
Optibin Crisper	21
Crisper cover with lattice on inner surface	22
Design-A-Door	22
Dairy Bin	22
Can Dispenser	22
Egg Box	22
<b>Freezer Section</b>	23
Ice Bin	23
Wire Durabase	23
Tilting Door	23
Guide-out drawer basket	24
Filter	24 - 25
<b>Care and Cleaning</b>	26 - 27
General cleaning tips	26
Outside	26
Inside walls	26
Door liner and gaskets	26
Plastic parts	26
Condenser coils	26
Light bulb replacement	26 - 27
Power interruptions	27
When you go on vacation	27
<b>About the Custom Cube Ice Maker</b>	28
<b>Connecting the Water Line</b>	29 - 31
<b>Troubleshooting Guide</b>	32 - 35

visit our web site/<http://www.lgservice.com>

**LG Electronics**

## **LIMITED WARRANTY United States of America**

LG Electronics will repair or at its option replace, without charge, your product which proves to be defective in material or workmanship under normal use during the warranty period listed below from the date of original purchase.

This warranty is good only to the original purchaser of the product during the warranty period as long as it is in the U.S. including Alaska, Hawaii, and U.S. Territories.

### **LG Refrigerator / Freezer Warranty Period**

<b>Product</b>	<b>Parts</b>	<b>Labor</b>
Refrigerator / Freezer	1 year	1 year [In-Home Service (Except Model GR-051)]
Sealed System (Compressor, Condenser, Evaporator)	7 years	1 year [In-Home Service (Except Model GR-051)]

No other express warranty is applicable to this product. THE DURATION OF ANY IMPLIED WARRANTIES, INCLUDING THE IMPLIED WARRANTY OF MERCHANTABILITY, IS LIMITED TO THE DURATION OF THE EXPRESS WARRANTY HEREIN. LG ELECTRONICS SHALL NOT BE LIABLE FOR THE LOSS OF USE OF THE PRODUCT, INCONVENIENCE, LOSS OR ANY OTHER DAMAGES, DIRECT OR CONSEQUENTIAL, ARISING OUT OF THE USE OF OR INABILITY TO USE, THIS PRODUCT OR FOR ANY BREACH OF ANY EXPRESS OR IMPLIED WARRANTY, INCLUDING THE IMPLIED WARRANTY OF MERCHANTABILITY APPLICABLE TO THIS PRODUCT.

Some States do not allow the exclusion or limitation of incidental or consequential damages or limitations on how long an implied warranty lasts; so these limitations or exclusions may not apply to you. This warranty gives you specific legal rights and you may also have other rights which vary from state to state.

### **THE ABOVE WARRANTY DOES NOT APPLY TO:**

1. Service trips to your home to deliver and pickup, install, instruct, or replace house fuses or correct house wiring or plumbing, or correction of unauthorized repairs.
2. Damage to the product caused by accident, pests, fire, floods, or acts of God.
3. Repairs when your LG product is used in other than normal, single-family household use.
4. Damage resulting from accident, alteration, misuse, abuse, or improper installation.

**Therefore, these costs are paid by the consumer.**

If the product is installed outside the normal service area, any cost of transportation involved in the repair of the product, or the replacement of defective parts, shall be borne by the owner.

### **CUSTOMER ASSISTANCE NUMBERS:**

**To obtain Warranty Coverage:**

**Retain your Bill of Sale to prove date of purchase.**

A Copy of your Sales Receipt must be submitted at the time warranty service is provided.

**To obtain Product or Customer**

**Call 1-800-243-0000**

(24 hrs a day, 7 days per week, 365 days per year)

**Service Assistance:**

Press the appropriate menu option, and have your product type (Refrigerator), model number, serial number, and ZIP/Postal Code ready.

**To obtain the nearest  
Authorized Service Center:**

**Call 1-800-243-0000**

(24 hrs a day, 7 days per week, 365 days per year)

Press the appropriate option, and have your product type (Refrigerator), model number, serial number, and ZIP/Postal Code ready.

## GARANTÍA LIMITADA

Estados Unidos de América

LG Electronics reparará o en su defecto reemplazará sin cargo, el producto defectuoso en material o mano de obra bajo uso normal durante el periodo de garantía que se menciona a continuación desde la fecha original de compra.

Esta garantía es válida solo para el comprador original del producto durante el periodo de garantía mientras permanezca en los E.E. U.U. Incluyendo Alaska, Hawaii y otros territorios de E.E.U.U.

### Período de Garantía del refrigerador/Congelador LG

Producto	Partes	Mano de Obra
Refrigerador / Congelador	1 año	1 año [Servicio a domicilio (Excepto Modelo GR-051)]
Sistema Sellado (Compresor, Condensador, Evaporador)	7 años	1 año [Servicio a domicilio (Excepto Modelo GR-051)]

No se aplicará otro tipo de garantía a este producto. LA DURACION DE OTRAS GARANTIAS , INCLUYENDO LA DE COMPRA, ESTAN LIMITADAS A LA DURACION DE ESTA GARANTIA. LG ELECTRONICS NO SE HACE RESPONSABLE POR LA PERDIDA EN EL USO DEL PRODUCTO, POR INCONVENIENCIA O CUALQUIER OTRO DAÑO DIRECTO O CONSECUENTE QUE PROVENGA DEL USO Y/O NO USO DE ESTE PRODUCTO O POR ALGUNA VIOLACION A LAS GARANTIAS IMPLEMENTADAS INCLUYENDO LA GARANTIA DE COMPRA APLICADA A ESTE PRODUCTO.

Algunos estados no permiten la exclusión o limitación de daños incidentales o consecuenciales o limitaciones en cuanto al tiempo que dura una garantía implícita; por lo que algunas de estas limitaciones o exclusiones pueden no aplicarse a usted. Esta garantía le otorga derechos legales específicos y usted puede además tener otros derechos los cuales varían de Estado a Estado.

### LA GARANTIA ANTERIOR NO APLICA A :

1. Servicio a su casa para entregar, recoger, instalar o reemplazar fusibles caseros, corregir cableado casero o plomería corrección de reparaciones no autorizadas.
2. Daño al producto causado por accidente, plagas, incendios, inundaciones o actos por naturaleza.
3. Reparaciones cuando su producto LG sea usado diferente a lo normal.
4. Daño resultante de accidente, alteración, mal uso o instalación inadecuada.

**Por lo tanto, estos costos serán pagados por el consumidor.**

Si el producto es instalado fuera del área normal de servicio, cualquier costo de transportación relacionado en la reparación del producto, o el reemplazo de partes defectuosas, serán cargados al propietario.

### NÚMEROS DE ASISTENCIA AL CLIENTE:

<b>Para obtener cobertura de la Garantía:</b>	Conserve su factura para comprobar la fecha de compra. Una copia de su recibo de compra debe ser entregada cuando se le proporcione el servicio de garantía.
<b>Para obtener información:</b>	Llame al <b>1-800-243-0000</b> (24 hrs al día, 7 días por semana, 365 días al año)
<b>Servicio de Asistencia:</b>	Presione la opción de menú apropiado, y tenga su tipo de producto (Refrigerador), número de modelo, número de serie, y ZIP Código Postal listos.
<b>Para obtener el Centro de Servicio Autorizado más cercano:</b>	Llame al <b>1-800-243-0000</b> (24 hrs al día, 7 días por semana, 365 días al año) Presione la opción adecuada, y tenga su tipo de producto (Refrigerador), número de modelo, número de serie, y ZIP /código Postal listos.

# IMPORTANT SAFETY INSTRUCTIONS

## SAFETY MESSAGES

This guide contains many important safety messages. Always **read and obey** all safety messages.



This is the safety alert symbol. It alerts you to safety messages that inform you of hazards that can kill or hurt you or others, or cause damage to the product.

All safety messages will be preceded by the safety alert symbol and the hazard signal word DANGER, WARNING, CAUTION. These words mean:

 **DANGER**

You **will** be killed or seriously injured if you don't follow instructions.

 **WARNING**

You **can** be killed or seriously injured if you don't follow instructions.

 **CAUTION**

Indicates an imminently hazardous situation which, if not avoided, **may** result in minor or moderate injury, or product damage only.

All safety messages will identify the hazard, tell you how to reduce the chance of injury and tell you what can happen if the instructions are not followed.

## **WARNING**

**To reduce the risk of fire, electric shock, or injury to persons when using your product, basic safety precautions should be followed, including the following:**

- NEVER unplug your refrigerator by pulling on the power cord. Always grip the plug firmly and pull it straight out from the outlet.
- Repair or replace immediately all electric service cords that have become frayed or otherwise damaged. Do not use a cord that shows cracks or abrasion damage along its length or at either the plug or connector end.
- When moving your refrigerator away from the wall, be careful not to roll over or damage the power cord.
- DO NOT store or use gasoline or other flammable vapors and liquids in the vicinity of this or any other appliance.
- DO NOT allow children to climb, stand or hang on the refrigerator doors or shelves in the refrigerator. They could damage the refrigerator and seriously injure themselves.
- Keep fingers out of "pinch point" areas; clearances between the doors and cabinet are necessarily small. Be careful when you open the doors when children are in the area.
- Unplug your refrigerator before cleaning or making any repairs. **NOTE:** We strongly recommend that any servicing be performed by a qualified individual.
- Before replacing a burned-out light bulb, **unplug** the refrigerator or turn off power at the circuit breaker or fuse box in order to avoid contact with a live wire filament. (A burned-out light bulb may break when being replaced.) **NOTE:** Setting either or both controls to the OFF position does not remove power to the light circuit.
- Do not store bottles in the freezer compartment - they may break when frozen, causing damage.

- The refrigerator-freezer should be so positioned that the supply plug is accessible for quick disconnection when accident happens.
- For personal safety, this appliance must be properly grounded. Have the wall outlet and the circuit checked by a qualified electrician to make sure the outlet is properly grounded.
- Read all instructions before using this appliance.

Use this appliance only for its intended purpose as described in this use and care guide.

- After your refrigerator is in operation, do not touch the cold surfaces in the freezer compartment when hands are damp or wet. Skin may adhere to the extremely cold surfaces.
- In refrigerators with automatic icemakers, avoid contact with the moving parts of the ejector mechanism, or with the heating element that releases the cubes. DO NOT place fingers or hands on the automatic icemaking mechanism while the refrigerator is plugged in.
- DO NOT refreeze frozen foods which have thawed completely. The United States Department of Agriculture in Home and Garden Bulletin No. 69 says:

"...You may safely refreeze frozen foods that have thawed if they still contain ice crystals or if they are still cold below 40°F (4°C)."

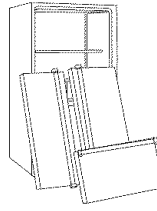
"...Thawed ground meats, poultry, or fish that have any off-odor or off-color should not be refrozen and should not be eaten. Thawed ice cream should be discarded. If the odor or color of any food is poor or questionable, get rid of it. The food may be dangerous to eat."

"Even partial thawing and refreezing reduces the eating quality of foods, particularly fruits, vegetables and prepared foods. The eating quality of red meats is affected less than that of many other foods. Use refrozen foods as soon as possible to save as much of their quality as you can."

## SAVE THESE INSTRUCTIONS

## **⚠ DANGER: RISK OF CHILD ENTRAPMENT**

Child entrapment and suffocation are not problems of the past. Junked or abandoned refrigerators are still dangerous... even if they will sit for "just a few days". If you are getting rid of your old refrigerator, please follow the instructions at right to help prevent accidents.



### **BEFORE YOU THROW AWAY YOUR OLD REFRIGERATOR OR FREEZER**

- Take off the doors.
- Leave the shelves in place so that children may not easily climb inside.

## **CFC DISPOSAL**

Your old refrigerator may have a cooling system that used CFCs (chlorofluorocarbons). CFCs are believed to harm stratospheric ozone.

This appliance contains fluid (refrigerant, lubricant), is made of parts and materials which are reusable and / or recyclable. All the important materials should be sent to the collection center of waste material and can be reused after rework (recycling).

For take back, please contact with the local agency.

If you are throwing away your old refrigerator, make sure the CFC refrigerant is removed for proper disposal by a qualified servicer. If you intentionally release this CFC refrigerant, you can be subject to fines and imprisonment under provisions of environmental legislation.

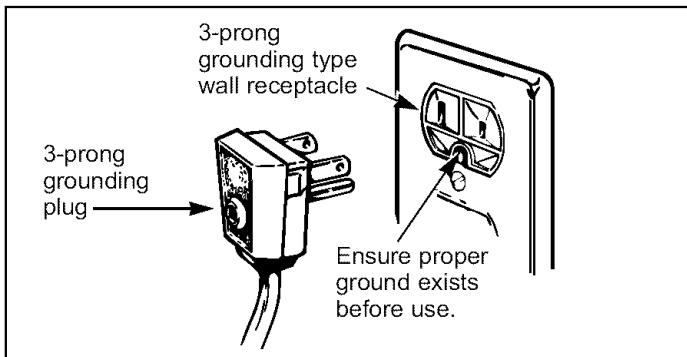
## **GROUNDING REQUIREMENTS**

**IMPORTANT:** Please read carefully.  
**TO CONNECT ELECTRICITY**

### **⚠ WARNING**

#### **Electrical Shock Hazard**

**FOR PERSONAL SAFETY**, this appliance must be properly grounded. Have the wall outlet and the circuit checked by a qualified electrician to make sure the outlet is properly grounded.



### **RECOMMENDED GROUNDING METHOD**

The refrigerator should always be plugged into its own individual properly grounded electrical outlet rated for 115 Volts, 60 Hz, AC only, and fused at 15 or 20 amperes. This provides the best performance and also prevents overloading house wiring circuits which could cause a fire hazard from overheated wires. It is recommended that a separate circuit serving only this appliance be provided. Use a receptacle which cannot be turned off with a switch or pull chain. Do not use an extension cord.

Where a standard two-prong wall outlet is encountered, it is your personal responsibility and obligation to have it replaced with a properly grounded three-prong wall outlet.

**Do not, under any circumstances, cut or remove the third (ground) prong from the power cord.**

**NOTE:** Before performing any type of installation, cleaning, or removing a light bulb, turn the control (Thermostat, Refrigerator Control or Freezer Control, depending on the model) to OFF and then disconnect the refrigerator from the electrical source. When you are finished, reconnect the refrigerator to the electrical source and reset the control (Thermostat, Refrigerator Control or Freezer Control, depending on the model) to the desired setting.

### **USE OF EXTENSION CORDS**

**Because of potential safety hazards under certain conditions, we strongly recommend against the use of an extension cord.** However, if you still elect to use an extension cord, it is absolutely necessary that it be a UL-listed (in the United States), 3-wire grounding type appliance extension cord having a grounding type plug and outlet, and that the electrical rating of the cord be 15 amperes (minimum) and 120 volts.

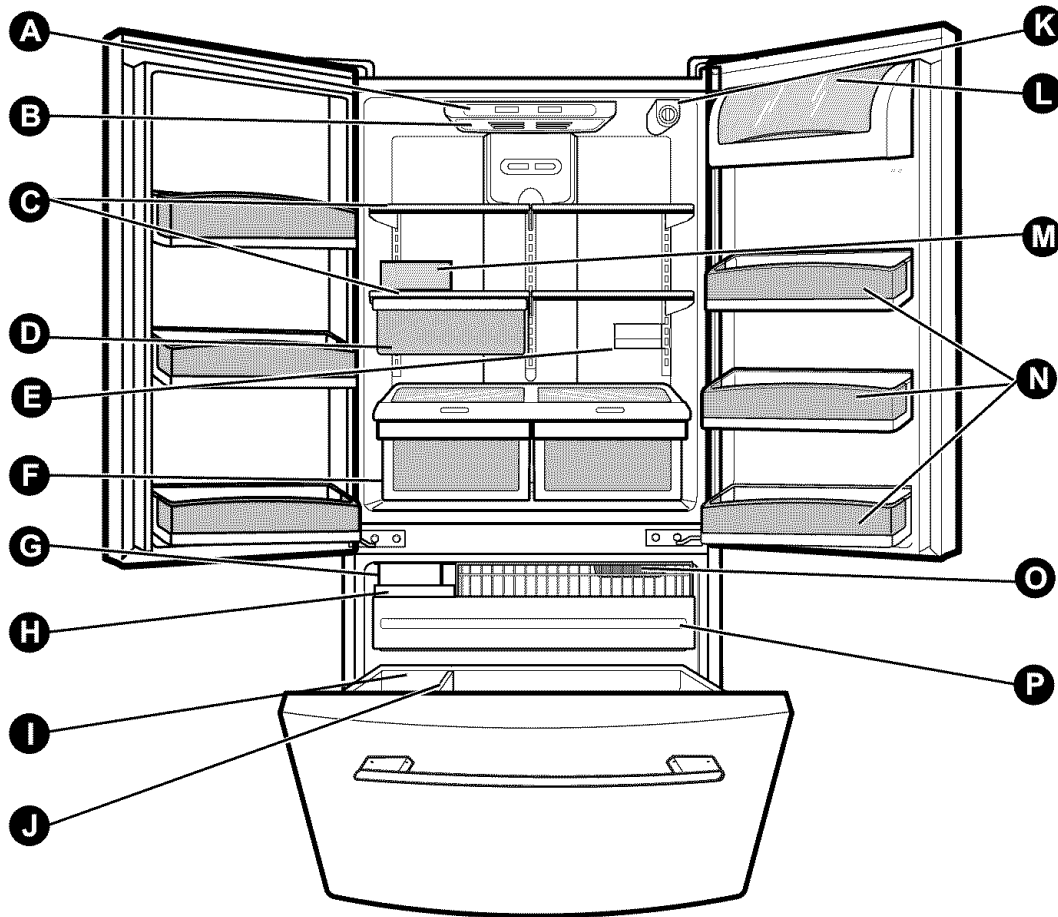
Use of an extension cord will increase the clearance needed for the back of the refrigerator.

### **⚠ WARNING**

#### **POWER CORD REPLACEMENT**

If the power cord is damaged, it must be replaced by the manufacturer, by our service center or by qualified personal by LG Electronics, to avoid some risk.

# PARTS AND FEATURES



Use this section to become more familiar with the parts and features.

**NOTE: This guide covers several different models. The refrigerator you have purchased may have some or all of the items listed below. The locations of the features shown below may not match your model.**

- |  |                                 |
|--|---------------------------------|
| <b>A</b> Digital Sensor Control *  | <b>K</b> Filter (Inside)*       |
| <b>B</b> Refrigerator Light  | <b>L</b> Dairy Bin              |
| <b>C</b> Shelves   | <b>M</b> Egg Box *              |
| <b>D</b> Chef Fresh / Snack Pan  | <b>N</b> Refrigerator Door Rack |
| <b>E</b> Can Dispenser *   | <b>O</b> Freezer Light          |
| <b>F</b> Optibin Crisper<br>Keeps fruits and vegetable fresh and crisper | <b>P</b> Pull out Drawer        |
| <b>G</b> Customcube Icemaker *   |                                 |
| <b>H</b> Ice Tray *  |                                 |
| <b>I</b> Durabase  |                                 |
| <b>J</b> Divider   |                                 |

\*on some models

# REFRIGERATOR INSTALLATION

## ⚠ WARNING

### Excessive Weight Hazard

Use two or more people to move and install refrigerator.

Failure to do so can result in back or other injury.

## UNPACKING YOUR REFRIGERATOR

Remove tape and any temporary labels from your refrigerator before using. Do not remove any warning-type labels, the model and serial number label, or the sheets (on some models), that is attached to back wall of the refrigerator.

To remove any remaining tape or glue, rub the area briskly with your thumb. Tape or glue residue can also be easily removed by rubbing a small amount of liquid dish soap over the adhesive with your fingers. Wipe with warm water and dry.

Do not use sharp instruments, rubbing alcohol, flammable fluids or abrasive cleaners to remove tape or glue. These products can damage the surface of your refrigerator. For more information, see the **Important Safety Instructions** section.

Refrigerator shelves are installed in the shipping position.

Please reinstall shelves according to your individual storage needs.

### When Moving Your Refrigerator:

Your refrigerator is heavy. When moving the refrigerator for cleaning or service, be sure to protect the floor. Always pull the refrigerator straight out when moving it. Do not wiggle or walk the refrigerator when trying to move it, as floor damage could occur.

## ⚠ WARNING



### Explosion Hazard

Keep flammable materials and vapors, such as gasoline, away from refrigerator.

Failure to do so can result in death, explosion or fire.

## INSTALLATION

1. Avoid placing the unit near heat sources, direct sunlight, or moisture.
2. To avoid vibration, the unit must be level. If required, adjust the leveling screws to compensate for unevenness of the floor. The front should be slightly higher than the rear to aid in door closing. Leveling screws can be turned easily by tipping the cabinet slightly. Turn the leveling screws clockwise (↻) to raise the unit, counterclockwise (↺) to lower it.
3. Install this appliance in an area where the temperature is between 55°F (13°C) and 110°F (43°C.) If the temperature around the appliance is too low or high, cooling ability may be adversely affected.

**⚠ CAUTION:** Avoid placing the unit near heat sources, direct sunlight or moisture.

## NEXT

1. Clean your refrigerator thoroughly and wipe off all dust accumulated during shipping.
2. Install accessories such as ice cube bin, drawers, shelves, etc., in their proper places. They are packed together to prevent possible damage during shipment.
3. Let your refrigerator run for 2 or 3 hours before putting food in it. Check the flow of cold air in the freezer compartment to ensure proper cooling. Your refrigerator is now ready for use.

## ⚠ WARNING:

- Be careful when you work with hinge, base grille, stopper etc. You may be injured.
- Do not put hands or metal sticks into air vents, base grille or bottom of refrigerator. You may be injured or receive an electrical shock.

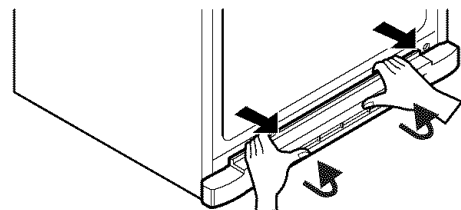
## BASE GRILLE

To remove the base grille:

1. Grasp the grille with both hands.
2. Pull the grille toward yourself.

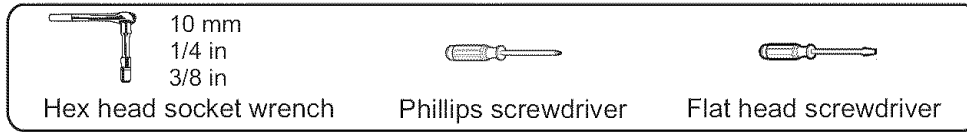
To install the base grille:

1. Place clips in openings in the metal panel.
2. Push the grille toward the refrigerator until it snaps into place.



# REFRIGERATOR INSTALLATION

## TOOLS YOU MAY NEED



## HOW TO REMOVE DOOR HANDLES

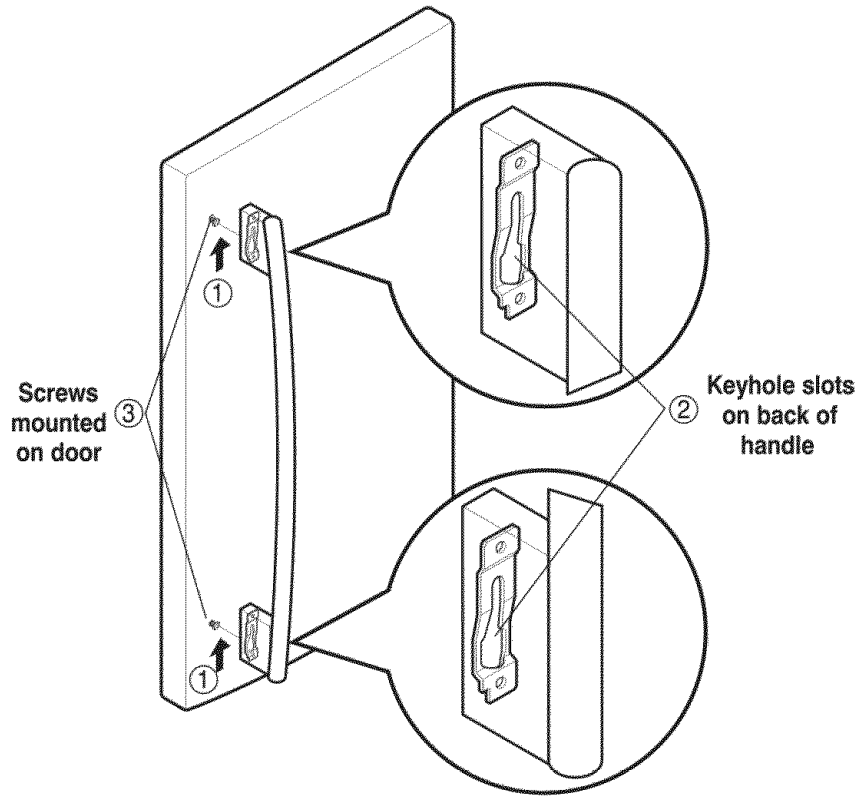
To move refrigerator through a house door, it may be necessary to remove the refrigerator door handles.

### 1. Removing Refrigerator Handle

- Grasp the handle tightly with both hands and slide the handle up (1) (this may require some force).
- The keyhole slots (2) on the back of the handle allow the handle to separate from the mounting screws (3).

**⚠ CAUTION:** It could be damaged and broken when you hit with hammer while you remove and attach the handle.

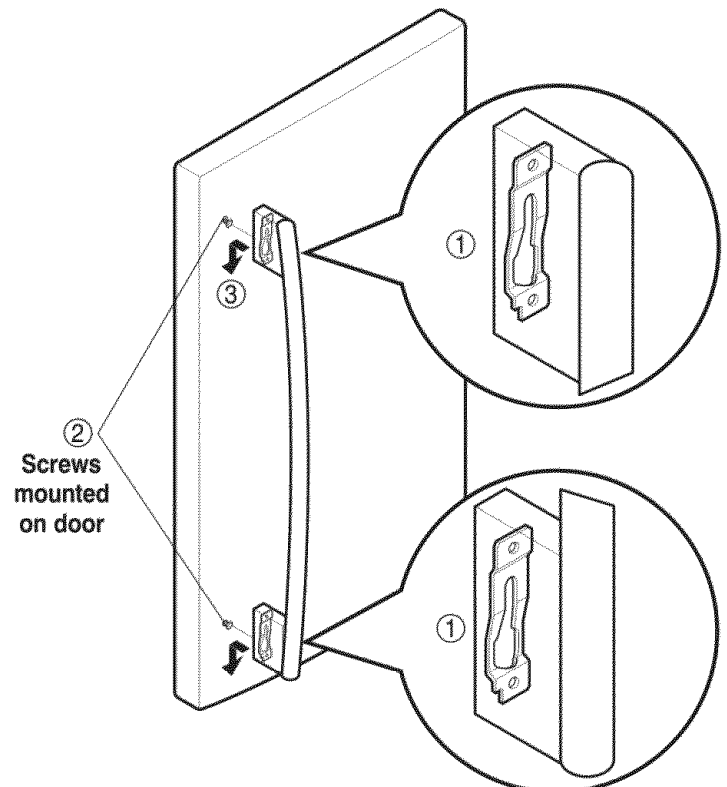
**⚠ CAUTION:** When you assemble or disassemble handle, you must push and pull with moment force.



## HOW TO REPLACE DOOR HANDLES

### 1. Replacing Refrigerator Door Handle

- Align keyhole slots (1) on the top and bottom of the back of the handle with the screws (2) mounted on the front of the door.
- Press the handle against the door front, making sure that the screws (2) go into the keyhole slots (1).
- Holding the handle with both hands, press it firmly against the front of the door and slide the handle down (3).



NOTE: Handle appearance may vary from illustrations on this page.

# REFRIGERATOR INSTALLATION

## HOW TO REMOVE REFRIGERATOR DOOR (models without water dispenser)

### 1. Removing Refrigerator Door

NOTE: Handle appearance may vary.

IMPORTANT: Before you begin, turn the refrigerator OFF and unplug it. Remove food and any bins from doors.

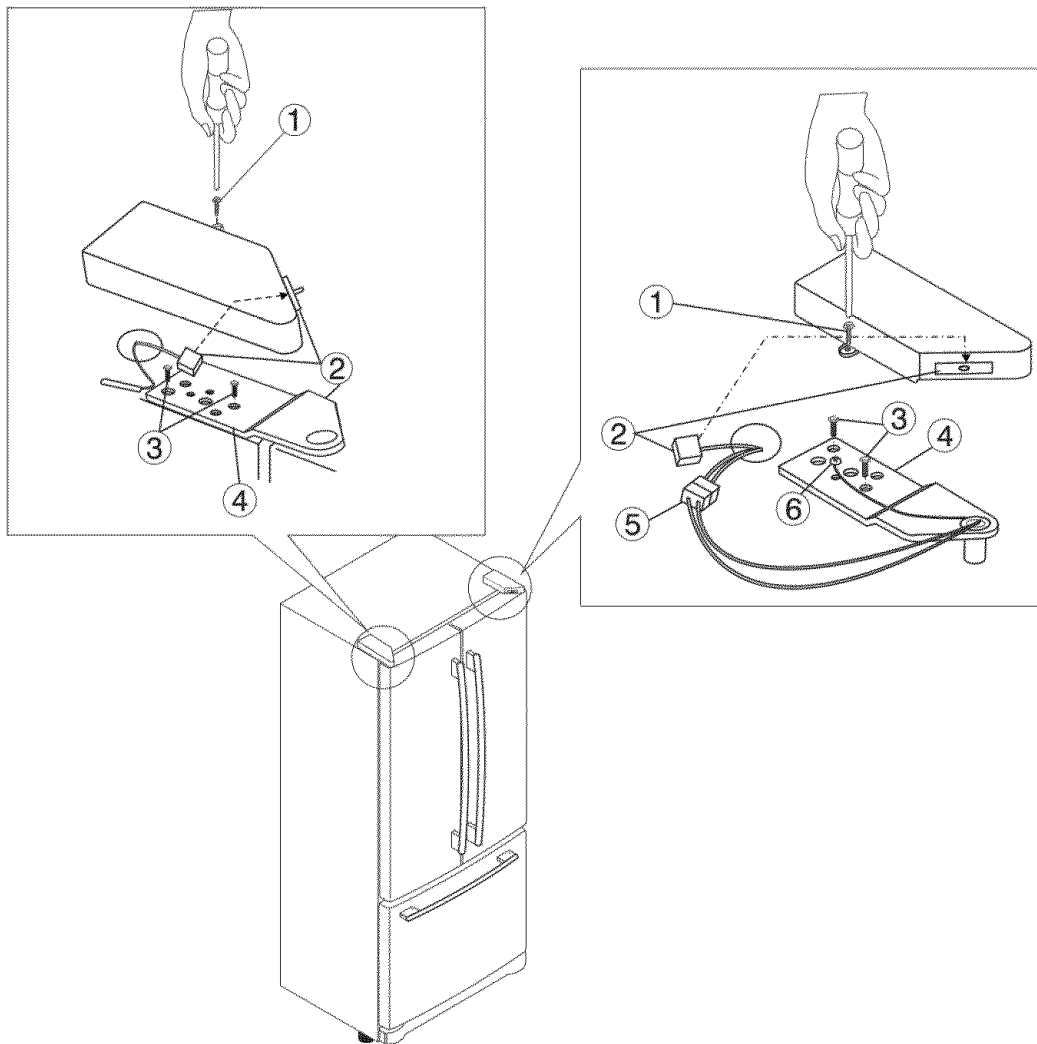
#### ► Left Door

- Loosen the cover screw (1).
- Disconnect door switch wire (2).
- Loosen hinge bolts (3).
- Lift off the top hinge (4).
- Place the door on a non-scratching surface with the inside up.

#### ► Right Door

- Loosen the cover screw (1).
- Disconnect door switch wire (2).
- Disconnect wire harness (5).
- Loosen hinge bolts (3).
- Loosen ground screw (6).
- Lift off the top hinge (4).
- Place the door on a non-scratching surface with the inside up.

**⚠ CAUTION:** When removing top hinge, be careful that the door does not fall forward.



# REFRIGERATOR INSTALLATION

## 2. Replacing Refrigerator Door

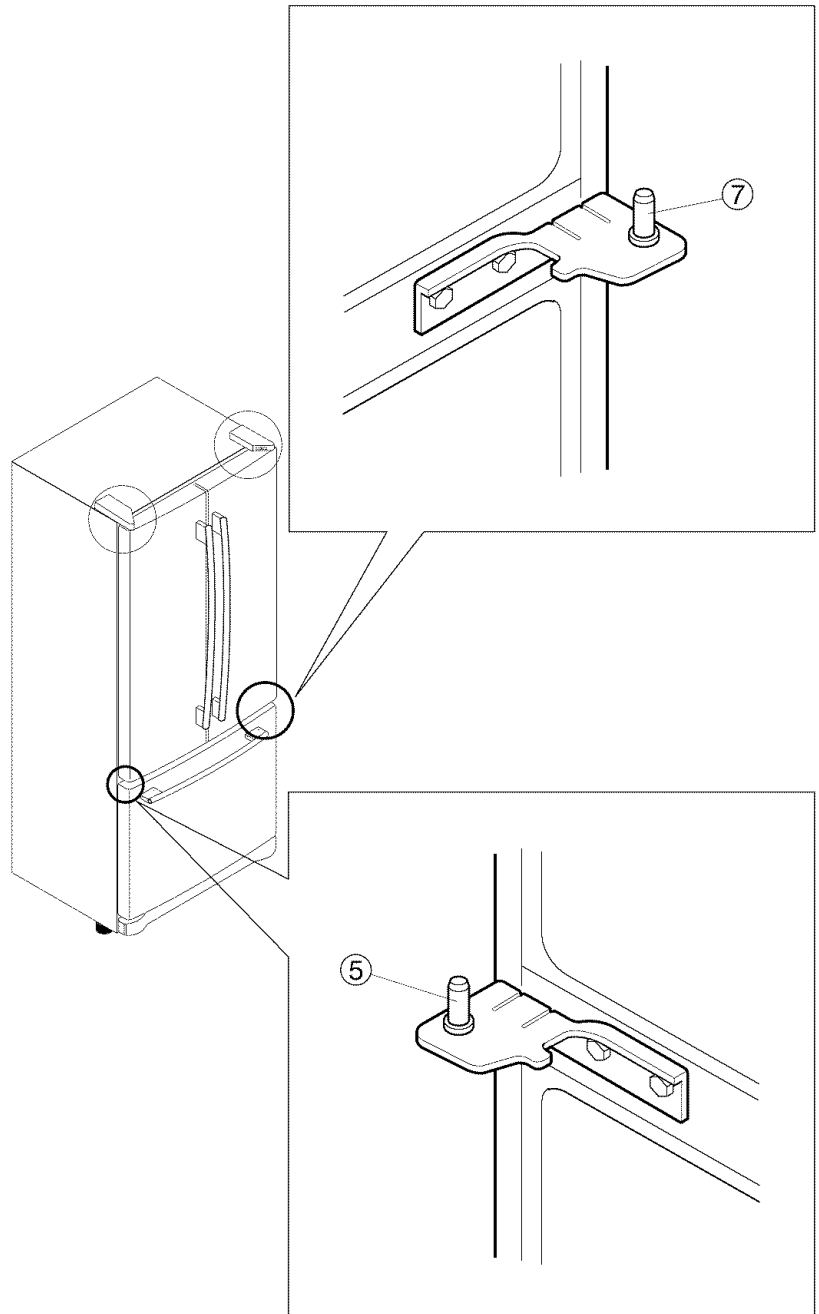
### ► Right Door

- Lower the door onto the middle hinge pin (7).
- Make sure the door is aligned with the cabinet.
- Replace the top hinge (4) installing hinge screws (3) to secure it.
- Make sure the gasket on the door is flush against the cabinet and is not folded.
- Support the door on the handle side while securing. And make sure the door is straight and the gap between the doors is even across the front.
- Install the ground screw (6).
- Connect the door switch wire (2).
- Tighten the cover screw (1).

### ► Left Door

- Lower the door onto the middle hinge pin (5).
- Make sure the door is aligned with the cabinet.
- Replace the top hinge (4) installing hinge screws (3) to secure it.
- Make sure the gasket on the door is flush against the cabinet and is not folded.
- Support the door on the handle side while securing. And make sure the door is straight and the gap between the doors is even across the front.
- Connect the door switch wire (2).
- Tighten the cover screw (1).

Note: To use like reference the previous image.



# REFRIGERATOR INSTALLATION

## REMOVING AND REPLACING REFRIGERATOR DOORS (models with water dispenser)

### 1. Removing Refrigerator Door

NOTE: Handle appearance may vary.

IMPORTANT: Before you begin, turn the refrigerator OFF and unplug it. Remove food and any bins from doors.

#### ► Left Door

- Loosen the screws and remove the cover on back side (see figure A).
- Disconnect water supply tube by pushing back on the disconnect ring (3).
- Loosen the cover screw (1).
- Disconnect door switch wire (2).
- Pull out the tube (4).

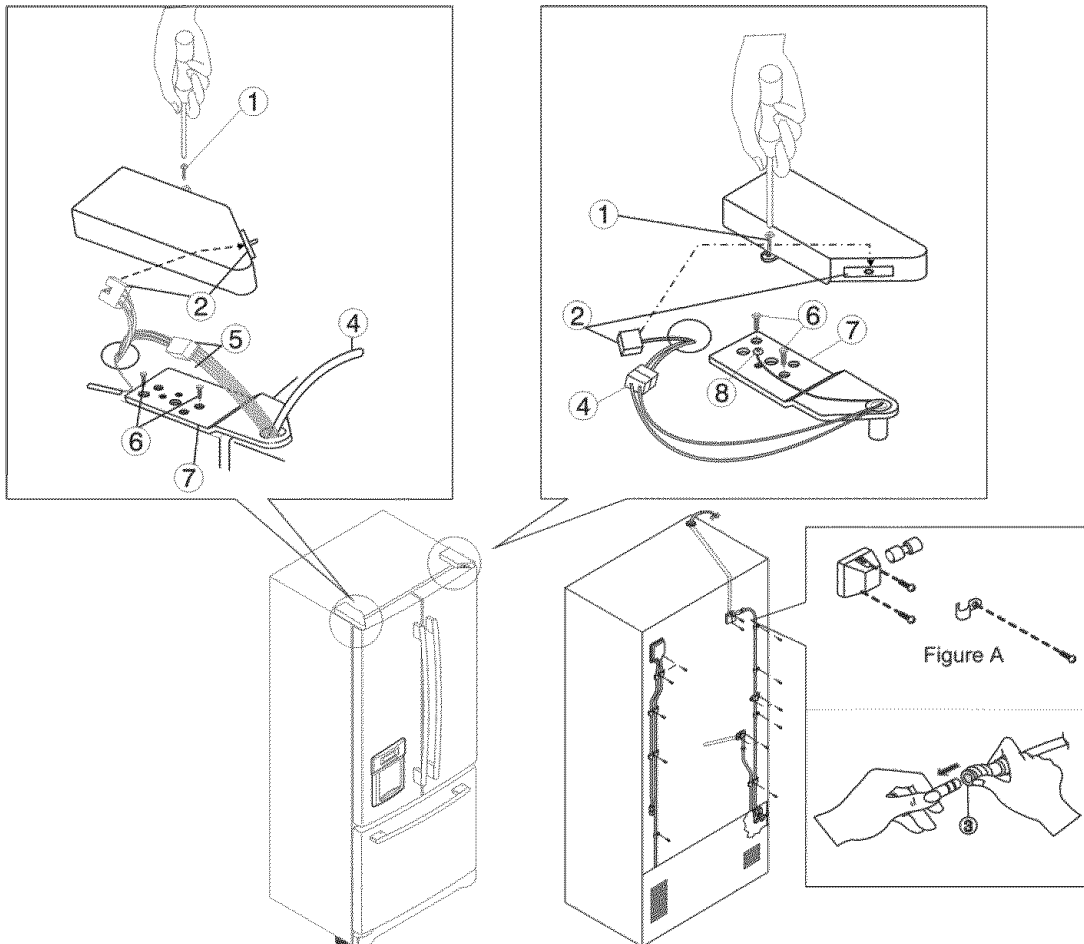
**⚠ CAUTION:** If a tube end is deformed or worn out, cut the damaged portion away.

- Disconnect wire harness (5).
- Loosen screws (6) and lift off the top hinge (7).
- Place the door on a non-scratching surface with the inside up.

**⚠ CAUTION:** When removing top hinge, be careful that the door does not fall forward.

#### ► Right Door

- Loosen the cover screw (1).
- Disconnect door switch wire (2).
- Disconnect wire harness (4).
- Remove the ground screw (8).
- Loosen screws (6) and lift off the top hinge (7).
- Place the door on a non-scratching surface with the inside up.



# REFRIGERATOR INSTALLATION

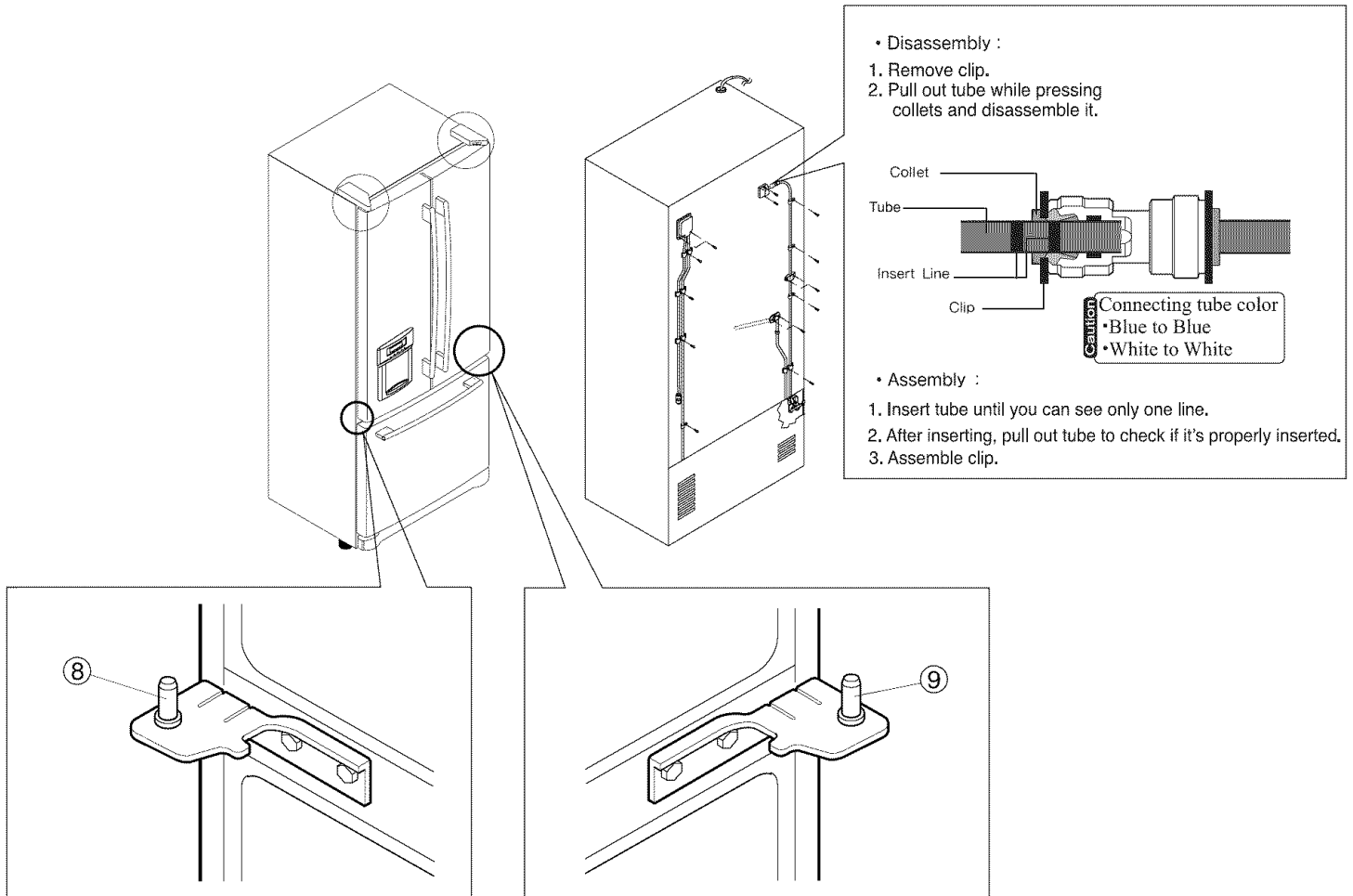
## 2. Replacing Refrigerator Door

### ► Right Door

- Lower the door onto the middle hinge pin (9). Make sure the door is aligned with the cabinet.
- Replace the top hinge (7) installing hinge screws (6) to secure it.
- Make sure the gasket on the door is flush against the cabinet and is not folded. Support the door on the handle side while securing hinge. Make sure the door is straight and the gap between the doors is even.
- Install the ground screw (8) and connect the wire harness (4).
- Connect the door switch wire (2).
- Tighten the cover screw (1).

### ► Left Door

- Lower the door onto the middle hinge pin(8). Make sure the door is aligned with the cabinet.
- Replace the top hinge (7) installing hinge screws (6) to secure it.
- Make sure the gasket on the door is flush against the cabinet and is not folded. Support the door on the handle side while tightening. And make sure the door is straight and the gap between the doors is even.
- Insert the water supply tube (4) into the connector tube until you see only one scale mark.  
(Fully insert the tube over 5/8"(15mm)).
- Connect the wire harness (5).
- Connect the door switch wire (2).
- Tighten the cover screw (1).



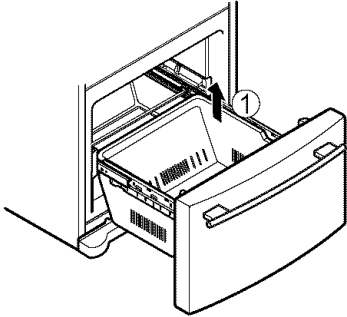
# REFRIGERATOR INSTALLATION

## HOW TO REMOVE AND INSTALL THE PULLOUT DRAWER

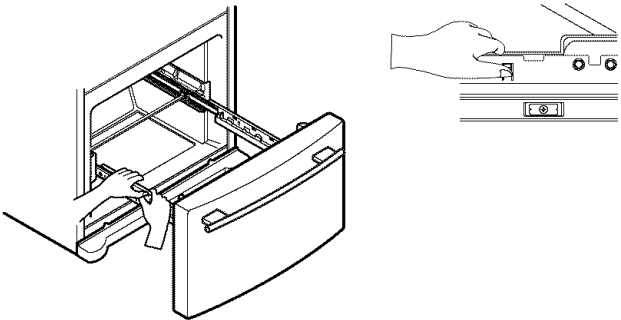
**IMPORTANT:** To avoid possible injury, product or property damage, you will need two people to perform the following instructions.

### 1. Removing Pullout Drawer

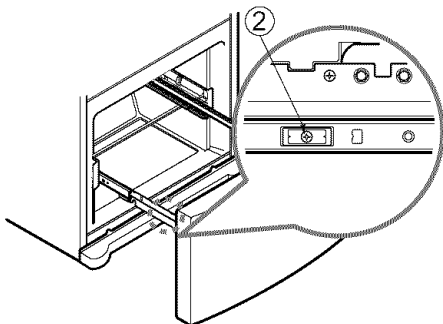
- Pull the drawer open to full lower extension. Remove the lower basket (1) by lifting basket from rail system.



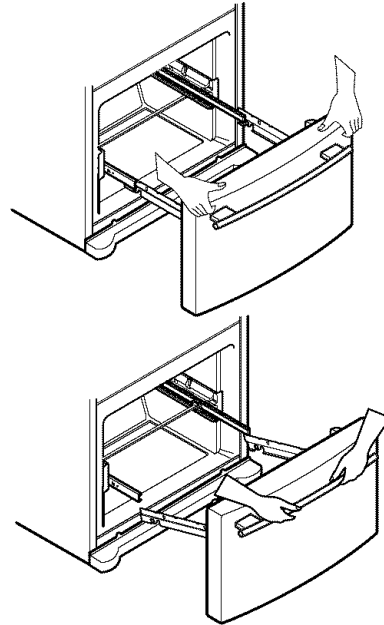
- Press both hangers with your thumbs to lift it up.
- Separate the left and right rail cover



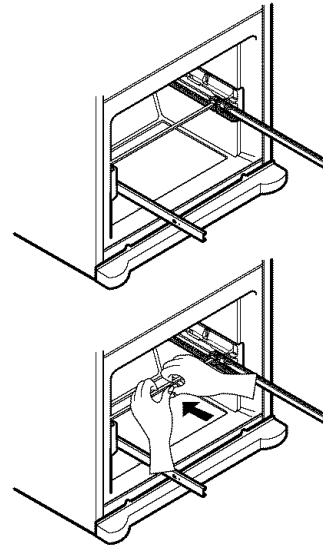
- Remove the screws (2) of the rail on both sides.



- With both hands, hold both sides of the door and pull it up to separate it from the rails.

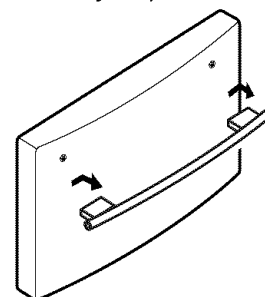


- With both hands, hold the center of the bar and push it in to let both rails fit simultaneously.



### To remove Freezer Door Handle

Grasp the handle tightly with both hands, and slide the handle to the right, until align keyholes back on handle with the screws mounted in front of the door. Then pull out the handle. (This may require some force).



**⚠ CAUTION:** When you remove the drawer, do not hold handle. If it comes off, it could cause personal injury.

**⚠ CAUTION:** When laying down the drawer, be careful not to damage the floor or hurt your feet by the sharp edges on hinge side.

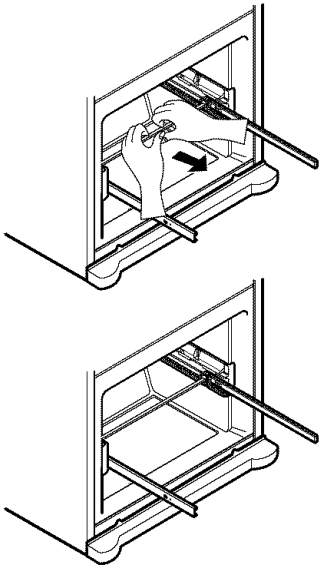
# REFRIGERATOR INSTALLATION

## HOW TO REMOVE AND INSTALL THE PULLOUT DRAWER

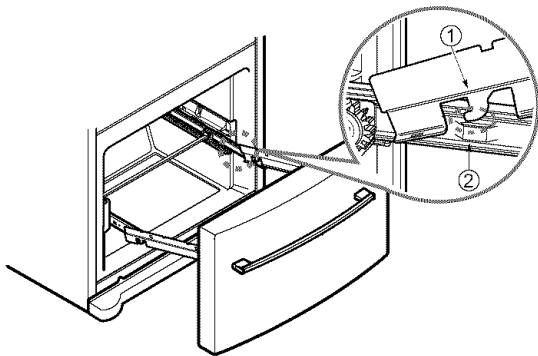
**IMPORTANT:** To avoid possible injury or product or property damage, you will need two people to perform the following instructions.

### 2. Installing Pullout Drawer

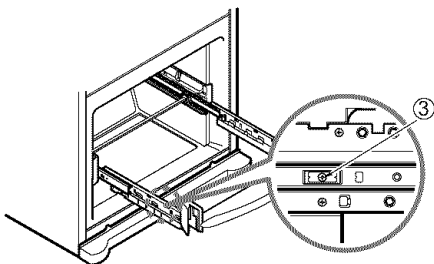
- With both hands, hold the center of the bar and pull it out to let both rails out to full extension simultaneously.



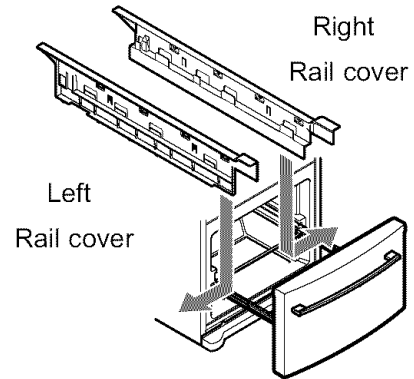
- Hook door supports (1) into rail tabs (2).



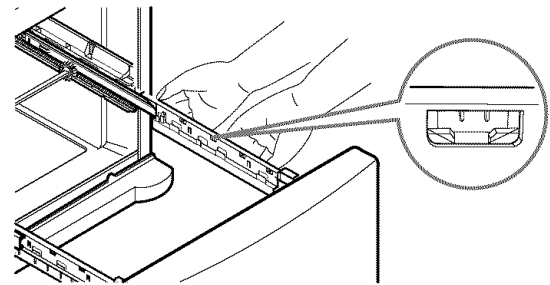
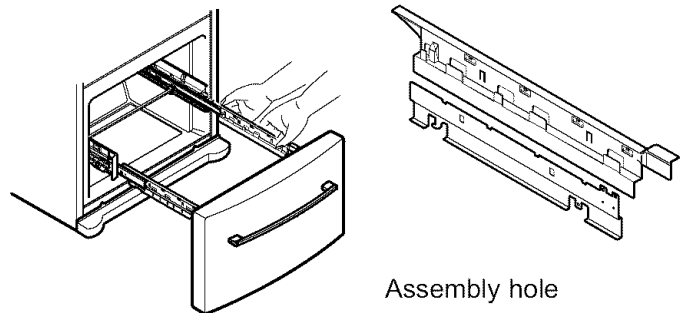
- Lower door into final position and tighten the screws (3)



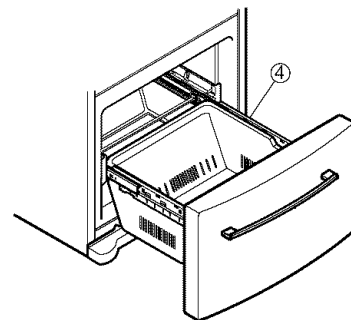
- Make sure you have a right rail cover for each side.



- Align the top holes of the rail cover with the top holes of the door supports to assemble the rail cover.



- With the drawer pulled out to full extension, insert the lower basket (4) in the rail assembly.



**⚠ WARNING:** To prevent accidental child and pet entrapment or suffocation risk. DO NOT allow them to play inside of drawer.

**⚠ WARNING:** DO NOT step or sit down on Freezer Door.

# REFRIGERATOR INSTALLATION

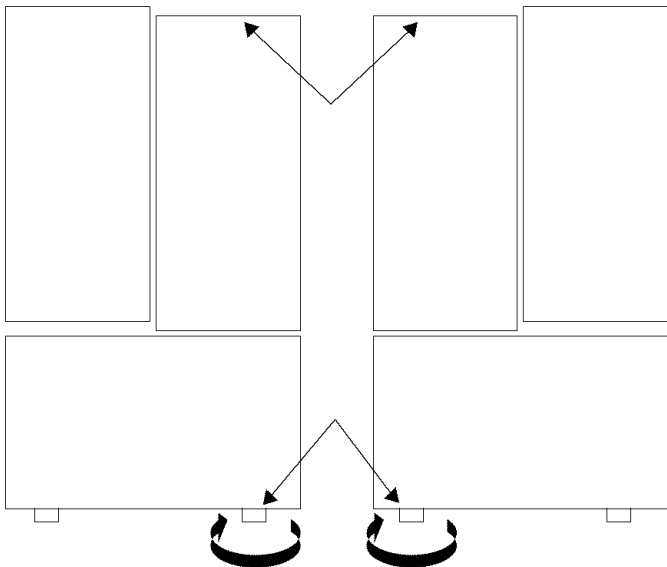
## LEVELING AND DOOR ALIGNMENT

### Leveling

Your refrigerator has two front leveling screws – one on the right and one on the left. If your refrigerator seems unsteady or you want the doors to close easier, adjust the Refrigerator's tilt using the instructions below:

1. Plug the refrigerator's power cord into a 3-prong grounded outlet. Move the refrigerator into its final position.
2. Turn the leveling screw clockwise to raise that side of the refrigerator or counterclockwise to lower it. It may take several turns of the leveling screw to adjust the tilt of the refrigerator.

**NOTE:** Having someone push against the top of the refrigerator takes some weight off the leveling screws. This makes it easier to adjust the screws.



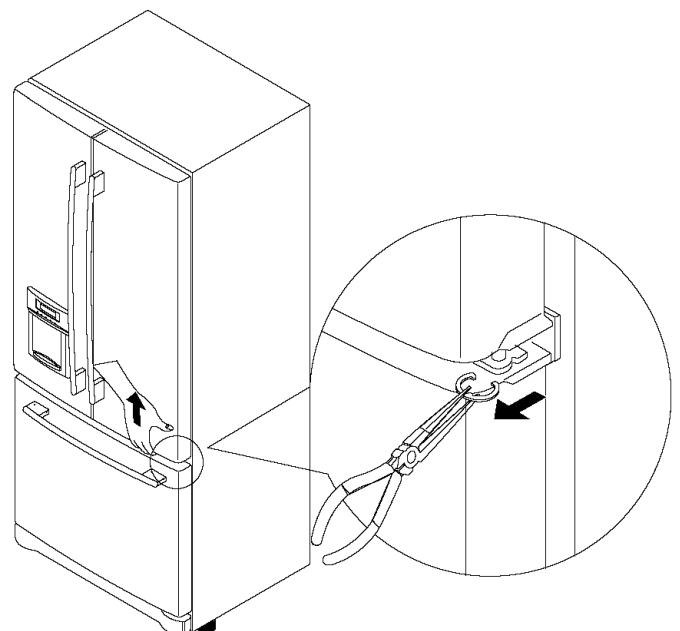
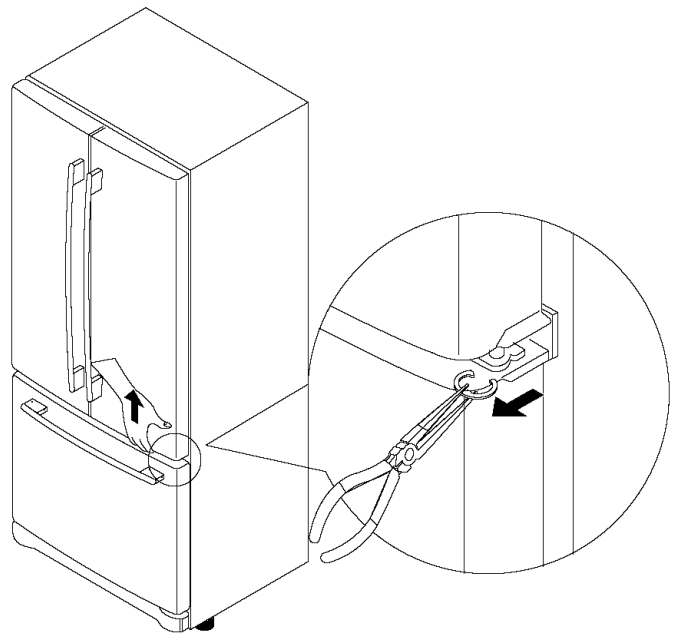
3. Open both doors again and check to make sure that they close easily. If not, tilt the refrigerator slightly more to the rear by turning both leveling screws clockwise. It may take several more turns, and you should turn both leveling screws the same amount.
4. Re-adjust if necessary.
5. Replace the base cover.

**NOTE:** Your new refrigerator is uniquely designed with two fresh food doors. Either door can be opened or closed independently of one another. You may have to exert slight pressure on doors to get them to close completely.

### Door Alignment

If the space between your doors is uneven, follow the instructions below to align the doors:

1. With one hand, lift up the door you want to raise at middle hinge.
2. With other hand, use pliers to insert snap ring as shown.
3. Insert additional snap rings until the doors are aligned. (Three snap rings are provided with unit.)



# USING YOUR REFRIGERATOR

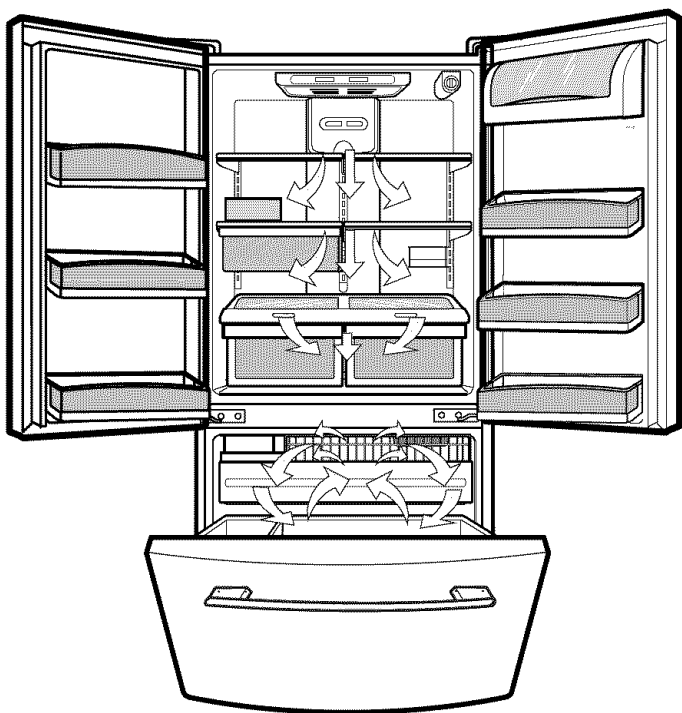
## ENSURING PROPER AIR CIRCULATION

In order to ensure proper temperatures, air must flow between the refrigerator and freezer sections. As shown in the illustration below, air enters at top of freezer and circulates down. From bottom of freezer, air is forced up to top of refrigerator. Air enters refrigerator through top vent, then circulates and exists at bottom, where it returns to freezer.

## MULTI-FLOW

Multi-Flow means powerful and effective cooling operation. This is especially noticeable when new food is placed in the refrigerator compartment.

If water or foreign substances enter the cool air vent while cleaning, efficiency will be lowered. In addition, if gasket is damaged, efficiency may be lowered because of escaping cool air.



**Do not block any of cool air vents** with food packages. If the vents are blocked, airflow will be interrupted and temperature and moisture problems may occur.

**IMPORTANT:** Because air circulates between both sections, any odors formed in one section will transfer to the other. You must thoroughly clean both sections to eliminate odors. To prevent odor transfer and drying out of food, wrap or cover foods tightly. (See the Food Storage Guide section for details.)

## DOOR ALARM

With this feature you'll listen a alarm when the freezer or refrigerator door is not closed within 1 minute after it is opened. These tones repeat every 30 seconds.

The alarm is cancelled when the freezer or the refrigerator is closed correctly.

## SETTING THE CONTROLS (Models without water dispenser)

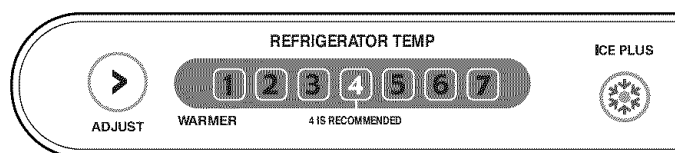
Your refrigerator has two controls that let you regulate the temperature in the freezer and refrigerator compartments.

Initially set the REFRIGERATOR CONTROL and the FREEZER CONTROL at position number "4". Leave it at this setting for 24 hours (one day) to stabilize. Then adjust the compartment temperature as desired.

### ► Middle Models (Identify your control type)

- Refrigerator control: position 1 to 7, represent the following temperature range (32°F to 47°F or 0°C to 8°C)

The higher the number setting, the colder the refrigerator compartment will become.

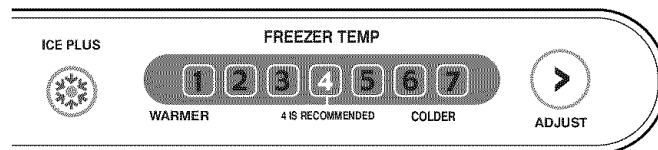


- Freezer control: position 1 to 7 (-6°F to 8°F or -21°C to -13°C)

When the setting is at a higher number, the freezer compartment becomes colder.

### • Ice Plus

Press the Ice Plus key and the LED will turn on. This function will remain activated for 24 hours and intensify the cooling speed of freezer and increase the amount of ice.



# USING YOUR REFRIGERATOR

## SETTING THE CONTROLS (Models with water dispenser)

**IMPORTANT:** Wipe out moisture before using the display button as operation of the button is based on touch sensing method and becomes slow or other buttons may operate if moisture is stuck to the surface of the button.

- Your refrigerator has a control pad on the dispenser that lets you regulate the temperature in the freezer and refrigerator compartments.
- Initially set the REFRIGERATOR CONTROL at 37°F (3°C) and the FREEZER CONTROL at 0°F (-18°C). Leave it at this setting for 24 hours (one day) to stabilize. Then adjust the compartment temperature as desired.



- Refrigerator Temp Control:** 32°F to 47°F (0°C to 8°C)  
The lower the number setting, the colder the refrigerator compartment will become.
- Freezer Temp Control:** -6°F to 8°F (-21°C to -13°C)  
When the setting is at a lower number, the freezer compartment becomes colder.

**NOTE:** If you want to change °F to °C or the reverse, press and hold FREEZER key and REFRIGERATOR key simultaneously for 5 seconds or more.

**NOTE:** If you want to off display, press and hold ICE PLUS key and FREEZER key over 5 seconds at the same time.

**NOTE:** Touch display once to activate, then touch again to change the settings or activate a function. If 10 seconds has passed since the display has been touched, it will be necessary to touch "once" again to reactivate.

\*This is to prevent accidental display setting changes.

- Ice Plus :** Press the ICE PLUS button and the LED will turn on. This function will remain activated for 24 hours and increase the cooling speed of the freezer and the amount of ice produced.
- Dispenser Lock :** Press and hold the LOCK button for 3 seconds to lock the dispenser. When it is locked, the dispenser will not operate. To unlock, press and hold the LOCK button for 3 seconds.
- Filter Reset :** It displays in months the number of months left to exchange the filter from the moment power is connected to the refrigerator. If you have changed the filter after 6 months of use, press and hold the FILTER button 3 seconds or more and the filter display will be initialized with a buzzing sound.

**NOTE:** The average life of the filter is 6 months.

**WARNING:** If a door is open, the dispenser does not work.

## ADJUSTING CONTROL SETTINGS

Give the refrigerator time to cool down completely before adding food. It is best to wait 24 hours before you put food into the refrigerator. The mid-settings indicated in the previous section should be correct for normal household refrigerator usage. The controls are set correctly when milk or juice is as cold as you like and when ice cream is firm.

The refrigerator control functions as the thermostat for the entire appliance (refrigerator and freezer sections.) The higher the number setting, the longer the compressor will run to keep the temperature colder. The freezer control adjusts the cold air flow from the freezer to the refrigerator. Setting the freezer control to a lower temperature keeps more cold air in the Freezer compartment to make it colder.

If you need to adjust temperatures in the refrigerator or freezer, start by adjusting the refrigerator first. Wait 24 hours after the refrigerator adjustment to check the freezer temperature. If it is too warm or too cold, then adjust the freezer control as well.

Use the settings listed in the chart below as a guide.

**Always remember to wait at least 24 hours between adjustments.**

CONDITION/REASON:	RECOMMENDED ADJUSTMENT:
<b>REFRIGERATOR section too warm</b> Door opened often Large amount of food added Room temperature very warm	Turn REFRIGERATOR control to next higher number, wait 24 hours, Then re-check
<b>FREEZER section too warm/ ice not made fast enough</b> Door opened often Large amount of food added Very cold room temperature (can't cycle often enough) Heavy ice usage Air vents blocked by items	Turn FREEZER control to next higher number, wait 24 hours, Then re-check  Move items out of airstream
<b>REFRIGERATOR section to Cold</b> Controls not set correctly for your conditions	Turn REFRIGERATOR control to next lower number, wait 24 hours, then re-check
<b>FREEZER section too cold</b> Controls not set correctly for your conditions	Turn FREEZER Control to next lower number, wait 24 hours, then re-check

# USING YOUR REFRIGERATOR

## FOOD STORAGE GUIDE

### Storing Fresh Food

Wrap or store food in the refrigerator in airtight and moisture-proof material unless otherwise noted. This prevents food odor and taste transfer throughout the refrigerator. For dated products, check date code to ensure freshness.

---

### Butter or margarine

Keep opened butter in a covered dish or closed compartment. When storing an extra supply, wrap in freezer packaging and freeze.

---

### Cheese

Store in the original wrapping until you are ready to use it. Once opened, rewrap tightly in plastic wrap or aluminum foil.

---

### Milk

Wipe milk cartons. For best storage, place milk on interior shelf, not on door shelf.

---

### Eggs

Store in original carton on interior shelf, not on door shelf.

---

### Fruit

Wash, let dry, and store in refrigerator in plastic bags or in the crisper. Do not wash or hull berries until you are ready to use them. Sort and keep berries in their original container in a crisper, or store in a loosely closed paper bag on a refrigerator shelf.

---

### Leafy vegetables

Remove store wrapping and trim or tear off bruised and discolored areas. Wash in cold water and drain. Place in a plastic bag or plastic container and store in the crisper.

---

### Vegetables with skins (carrots, peppers)

Place in plastic bags or plastic container and store in crisper.

---

### Fish

Use fresh fish and shellfish the same day purchased.

---

### Chef fresh

Store most chef fresh in original wrapping as long as it is airtight and moisture-proof. Rewrap if necessary.

---

### Leftovers

Cover leftovers with plastic wrap or aluminum foil. Plastic containers with tight lids can also be used.

## STORING FROZEN FOOD

**NOTE:** For further information about preparing food for freezing or food storage times, check a freezer guide or a reliable cookbook.

### Packaging

Successful freezing depends on correct packaging. When you close and seal the package, it must not allow air or moisture in or out. If you do, you could have food odor and taste transfer throughout the refrigerator and also dry out frozen food.

#### Packaging recommendations:

- Rigid plastic containers with tight-fitting lids
- Straight-sided canning/freezing jars
- Heavy-duty aluminum foil
- Plastic-coated paper
- Non-permeable plastic wraps
- Specified freezer-grade self-sealing plastic bags

Follow package or container instructions for proper freezing methods.

#### Do not use:

- Bread wrappers
- Non-polyethylene plastic containers
- Containers without tight lids
- Wax paper or wax-coated freezer wrap
- Thin, semi-permeable wrap

### Freezing

**IMPORTANT:** Do not store bottles in the freezer compartment - they may break when frozen, causing damage.

Your freezer will not quick-freeze any large quantity of food. Do not put more unfrozen food into the freezer than will freeze within 24 hours (no more than 2 to 3 lbs of food per cubic foot of freezer space). Leave enough space in the freezer for air to circulate around packages. Be careful to leave enough room at the front so the door can close tightly.

Storage times will vary according to the quality and type of food, the type of packaging or wrap used (airtight and moisture-proof) and the storage temperature. Ice crystals inside a sealed package are normal. This simply means that moisture in the food and air inside the package have condensed, creating ice crystals.

**NOTE:** Allow hot foods to cool at room temperature for 30 minutes, then package and freeze. Cooling hot foods before freezing saves energy.

**NOTE:** Do not store food near the sensor; it may cause the sensor to malfunction.

## WARNING

### Suffocation Hazard

When using dry ice, provide adequate ventilation. Dry ice is frozen carbon dioxide (CO<sub>2</sub>). When it vaporizes, it can displace oxygen, causing dizziness, light-headedness, unconsciousness and death by suffocation. Open a window and do not breathe the vapors.

## REFRIGERATOR SECTION

### REFRIGERATOR SHELVES

The shelves in your refrigerator are adjustable to meet your individual storage needs. These units are all glass shelves.

Storing similar food items together in your refrigerator and adjusting the shelves to fit different heights of items will make finding the exact item you want easier; it will also reduce the amount of time the refrigerator door is open, saving energy.

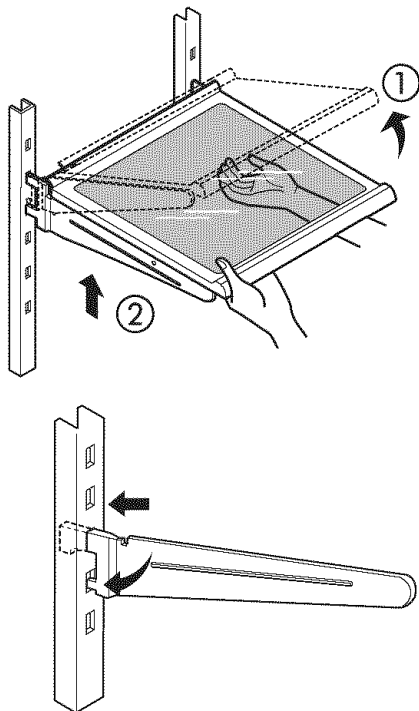
**IMPORTANT:** Do not clean glass shelves with warm water when they are cold. Shelves may break if exposed to sudden temperature changes or impact, such as bumping. For your protection, glass shelves are made with tempered glass, which will shatter into small pebble-sized pieces.

**NOTE:** Glass shelves are heavy. Use special care when removing them to avoid dropping them.

#### Adjusting Shelves

Remove shelves from the shipping position and replace shelves in the position you want.

- **To remove a shelf** : Tilt up the front of the shelf in the direction of (1) and lift it in the direction of (2). Pull the shelf out.
- **To replace a shelf** : Tilt the front of the shelf up and guide the shelf hooks into the slots at a desired height. Then lower the front of the shelf so that the hooks drop into the slots.

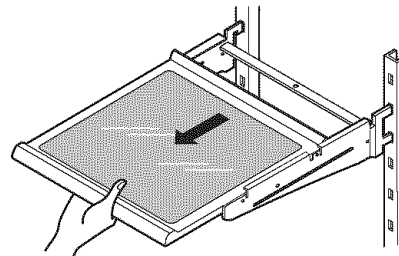


**NOTE:** Make sure that shelves are level from one side to the other. Failure to do so may result in the shelf falling or spilling food.

#### Sliding Out Shelves (optional on some models)

You can slide some glass shelves in and out of your refrigerator as follows.

- **To slide the shelf out**, carefully pull front of shelf toward you.
- **To slide shelf in**, push shelf in until it stops.



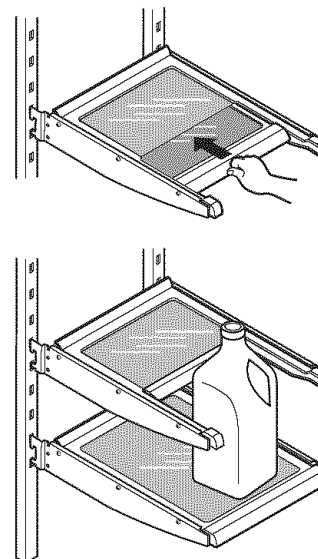
#### To remove a sliding shelf from its metal frame:

1. Pull the shelf out to the stop position.
2. Tilt the front of the shelf up and pull it past the stop position.
3. Lift up the shelf to remove.

**Replace the shelf** by reversing the above steps.

#### Convenience Shelves (on some models)

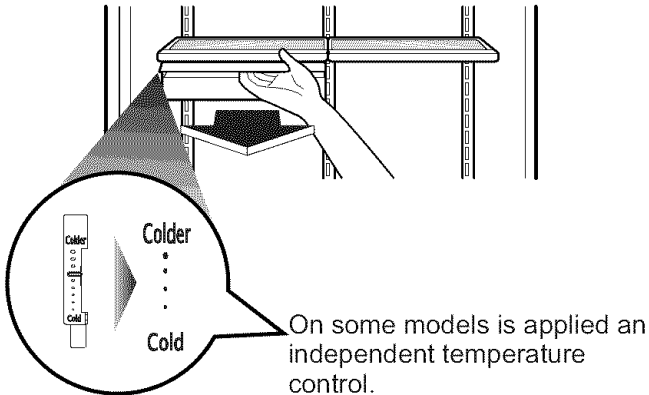
- **Folding Shelf:** You can store taller items such as gallon containers or bottles by simply sliding the shelf back.



# USING YOUR REFRIGERATOR

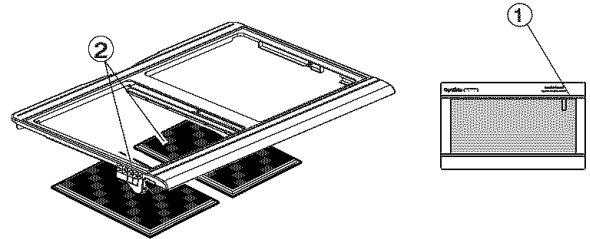
## CHEF FRESH / SNACK PAN

While holding the chef fresh with one hand, pull it forward slightly. Lift slightly and pull it out.



## OPTIBIN CRISPERS (on some models)

The OptiBin Crispers provide fresher-tasting fruit and vegetables by letting you easily control humidity inside the crisper. The OptiBin Crispers include: 1) a humidity control knob at the front of the crisper cover and 2) a large lattice on the inner surface of the cover to hold or release moisture.



**NOTE:** DO NOT store lettuce or other leafy produce in this drawer.

### COLD

- Cauliflower
- Cucumbers
- Zucchini
- Apples
- Corn
- Oranges
- Grapes

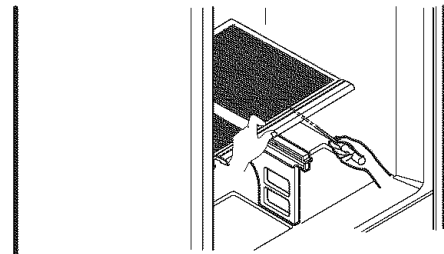
### COLDER

- Steaks
- Hard cheeses
- Cold cuts
- Bacon
- Hot dogs

**⚠ WARNING:** Fruits and vegetables may be damaged at the coldest setting.

### To remove the glass:

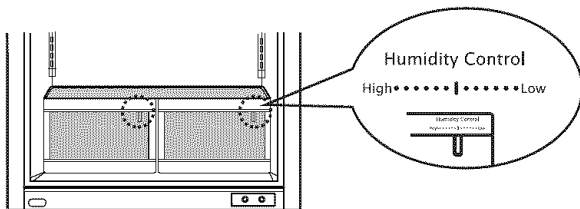
1. Lift up the glass after inserting a screwdriver under the crisper cover.
2. Pull out and out.



## CRISPER HUMIDITY CONTROL (on some models)

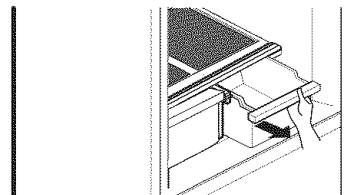
You can control the amount of humidity in the moisture-sealed crispers. Adjust the control to any setting between "High" and "Low".

- "High": Lets moist air out of the crisper for best storage of fruits.
- "Low": Keeps moist air in the crisper for best storage of fresh, leafy vegetables.



### To remove the crisper:

1. Slide crisper straight out to the stop.
2. Lift the front of the crisper, then pull it out to remove.
3. Replace the crisper by sliding it back in fully past the drawer stop.

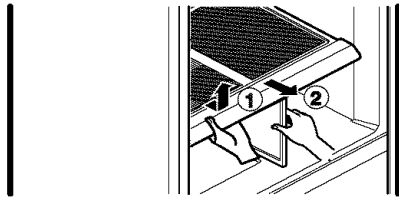


# USING YOUR REFRIGERATOR

## CRISPER COVER WITH LATTICE ON INNER SURFACE (on some models)

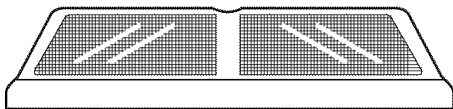
To remove the crisper cover:

1. Remove both crisper drawers.
2. While holding the crisper cover support (2), pull the cover up and out(1).

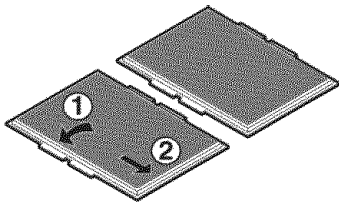


**⚠ WARNING:** Be careful when handling glass cover since glass is not attached to cover.

To remove the lattice on inner surface:

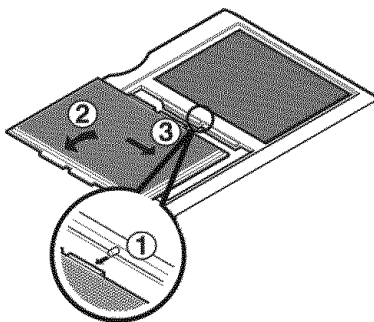


1. Remove crisper cover(as illustrated above).
2. Hold the glass cover and overturn crisper cover.
3. For each lattice hold lattice and pull sides of the cover outward to remove lattice.



To replace lattice on inner surface:

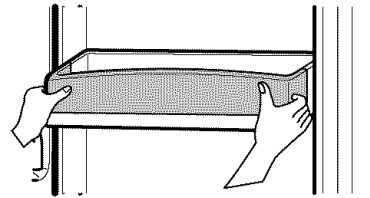
1. For each lattice insert middle tab in 1 (closed to glass cover)and pull sides of the cover to insert lattice.



## DESIGN-A-DOOR

The door bins are removable for easy cleaning and adjusting.

1. To remove the bin, simply lift the bin up and pull straight out.
2. To replace the bin, slide it in above the desired support button and push down until it stops.



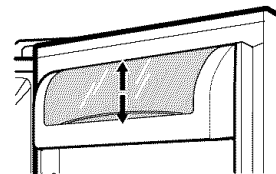
**⚠ WARNING:** Somebody can be hurt if door bins are not firmly assembled.

**NOTE:** DO NOT adjust a bin that is loaded with food.

**⚠ CAUTION:** DO NOT allow children to play with baskets. Sharp corners on baskets could cause injury.

## DAIRY BIN

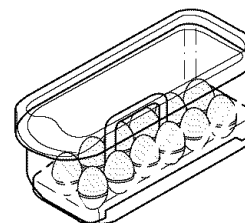
1. To remove the dairy bin, simply lift it and pull straight out.
2. To replace the dairy bin, slide it in above the desired location and push down until it stops.



## EGG BOX (on some models)

Store Egg Box on interior shelf, not on door shelf.

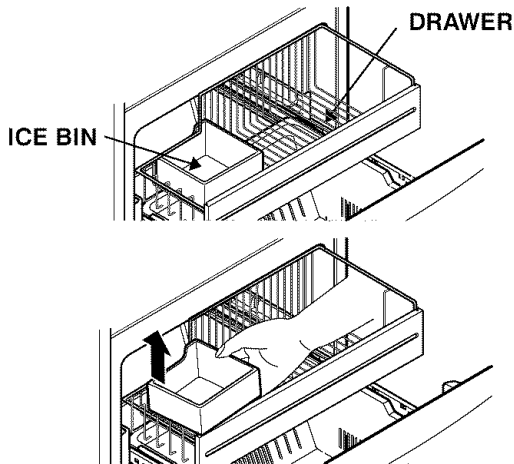
**⚠ CAUTION:** Do not use the egg box as an ice storage bin in the freezer compartment. The egg box can easily break if it freezes.



## FREEZER SECTION

### ICE BIN (on some models)

1. To separate the ice bin, pull out the drawer as much as possible.
2. Gently lift and pull out the ice bin.
3. To reinstall, pull out the drawer as much as possible and set the ice bin in its correct position, and then push in the drawer.

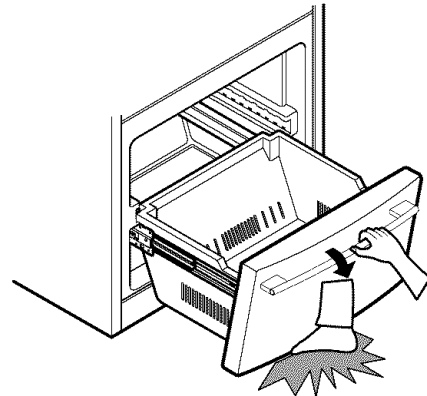


### TILTING DOOR (on some models)

The tilting door provides easy access for stored foods.

#### How to use:

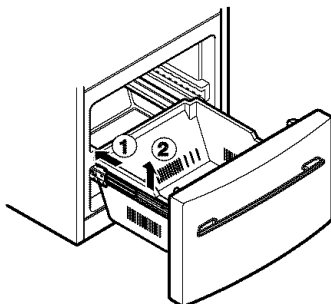
Tilt the door down and pull it out.



**⚠ WARNING:** Be careful when you open tilting door so that you do not injure your foot!

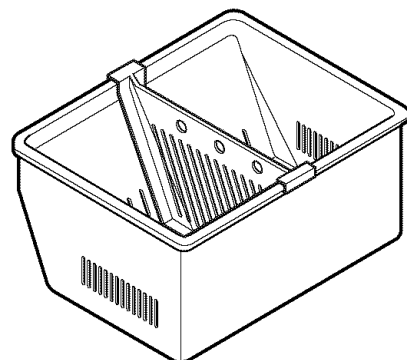
### DURABASE (on some models)

1. To remove the Durabase, push it back to the end as much as possible. Tilt up the front of the Durabase and pull straight out.
2. To install, insert the Durabase in rail assembly.



### DURABASE DIVIDER (on some models)

The Durabase divider allows you to organize the Durabase area into sections.

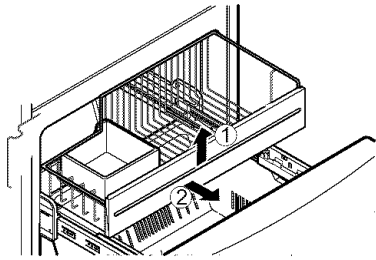


1. To remove, pull divider straight up.
2. To install, hook top corners of divider over top edge of durabase.

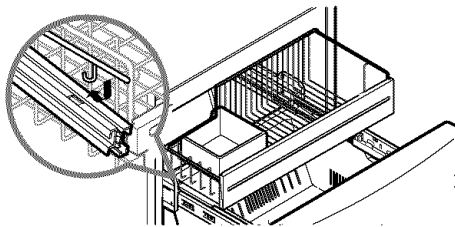
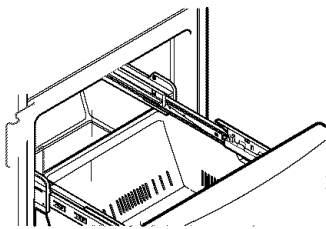
# USING YOUR REFRIGERATOR

## GLIDE - OUT DRAWER BASKET (on some models)

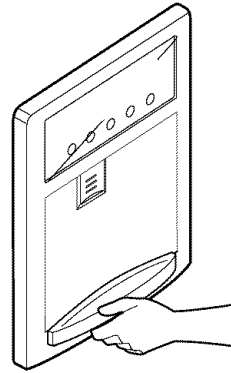
1. To remove, lift basket up and pull out straight out.



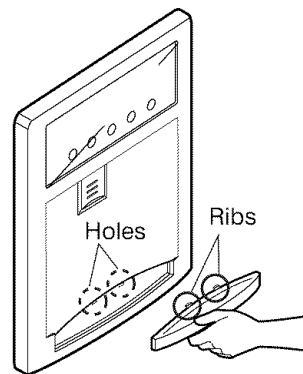
2. To Install, pull both rails out to full extension. Hook the basket supports into the rail tabs and push to the back of compartment.



Tray can be easily removed by pressing and pulling it.

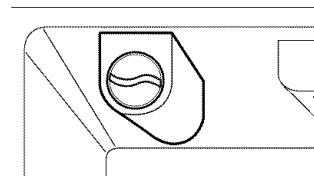


Tilt up the front of tray slightly and snap the ribs into the holes to replace the tray.



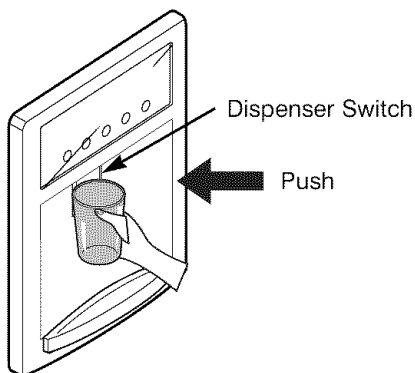
## FILTER (on some models)

The display shows (in months), the remaining time to exchange the filter from the moment power is connected to the refrigerator or 6 months after use of water dispenser.



## WATER DISPENSER (on some models)

Push the dispenser pad with a glass until you hear a click to get cold water.

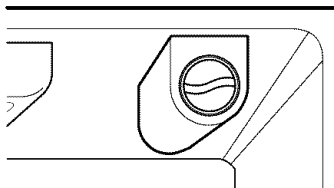


If you have changed the filter after 6 months of use, press and hold the FILTER button 3 seconds or more and the filter display will be initialized with a buzzing sound.

**NOTE:** The average life of the filter is 6 months.

## USING YOUR REFRIGERATOR

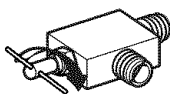
It is recommended that you replace the filter when the water filter indicator light turns on or your water dispenser or ice maker decreases noticeably.



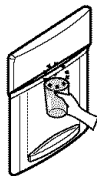
After changing the water filter cartridge, reset the water filter status display and indicator light by pressing and holding the **BUTTON** for 3 seconds.

### How to change the old cartridge.

1. Turn the shutoff valve off (house valve).\*

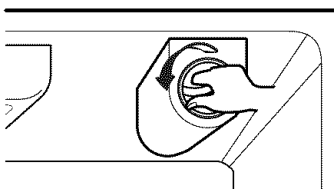


2. Dispense water from the system to empty the tubing (approximately for 50 seconds).\*



3. Remove the old cartridge.

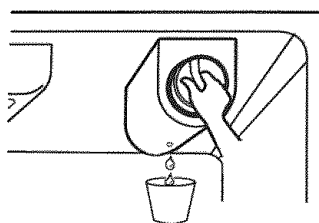
Rotate the knob of the cartridge counter clockwise.



When the cartridge is removed, it will click out of place.



Pull out the cartridge.

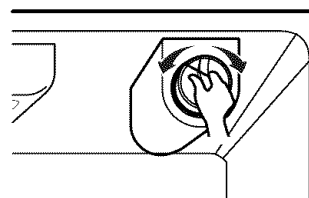


**NOTE:** There will be water in the cartridge. Some spilling may occur through the hole at rear bottom side of cover. You may use a cup or something like that to prevent spilt water drop into food.

4. Replace with a new cartridge.

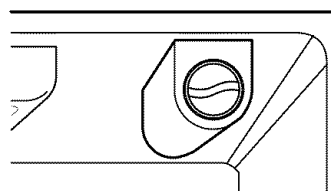
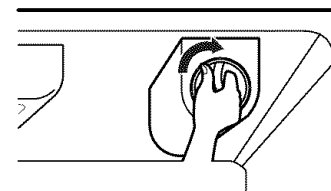
Take the new cartridge out of its packaging and remove protective cover from the o-rings.

With cartridge knob in the vertical position, push the new filter cartridge into the cover until it stops.

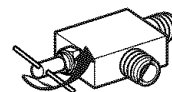


If you can't turn the filter from side to side, it isn't fully inserted. Push it in firmly and twist it into place. You will hear it click into place.

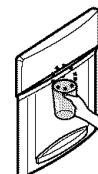
Using its handle, twist the cartridge clockwise about 1/4 turn. You will hear when it clicks into place.



5. Turn the shutoff valve on (house valve).\*



6. Flush water out from the system until air gets eliminated and water start to dispense (approximately for 3 minutes).\*



**NOTE:** To purchase replacement water filter cartridges, visit your local appliance dealer or part distributor. You can also visit our website : [www.lgappliances.com](http://www.lgappliances.com) or call 1-877-714-7481( Only United States).

\*Steps 1,2,5 & 6 only for models with water dispenser.

## CARE AND CLEANING

### ⚠ WARNING



#### Explosion Hazard

Use non-flammable cleaner.

Failure to do so can result in death, explosion, or fire.

Both the refrigerator and freezer sections defrost automatically. However, clean both sections about once a month to prevent odors. Wipe up spills immediately.

### GENERAL CLEANING TIPS

- Unplug refrigerator or disconnect power.
- Remove all removable parts, such as shelves, crispers, etc.
- Use a clean sponge or soft cloth and a mild detergent in warm water. Do not use abrasive or harsh cleaners.
- Hand wash, rinse and dry all surfaces thoroughly.
- Plug in refrigerator or reconnect power.

### OUTSIDE

Waxing external painted metal surfaces helps provide rust protection. Do not wax plastic parts. Wax painted metal surfaces at least twice a year using appliance wax (or auto paste wax). Apply wax with a clean, soft cloth.

For products with a stainless steel exterior, use a clean sponge or soft cloth and a mild detergent in warm water. Do not use abrasive or harsh cleaners. Dry thoroughly with a soft cloth.

### INSIDE WALLS (allow freezer to warm up so cloth won't stick)

To help remove odors, you can wash the inside of the refrigerator with a mixture of baking soda and warm water. Mix 2 tablespoons baking soda to 1 quart of water (26 g soda to 1 liter water.) Be sure the baking soda is completely dissolved so does it not scratch the surfaces of the refrigerator.

### DOOR LINERS AND GASKETS

Do not use cleaning waxes, concentrated detergents, bleaches, or cleaners containing petroleum plastic parts.

### PLASTIC PARTS (covers and panels)

Do not use paper towels, window sprays, abrasive cleansers, or flammable fluids. These can scratch or damage the material.

### CONDENSER COILS

Remove grille base. (See the grille base section)

Use a vacuum cleaner with an extended attachment to clean condenser coils.

Vacuum coils when dusty or dirty. Coils may need to be cleaned as often as every other month.

Replace grille base.

### LIGHT BULB REPLACEMENT

### ⚠ WARNING

#### Electrical Shock Hazard

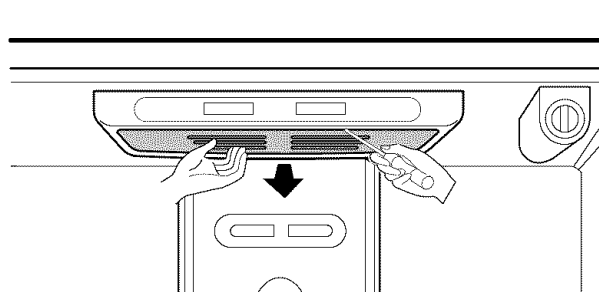
Before replacing a burned-out light bulb, either unplug the refrigerator or turn off power at the circuit breaker or fuse box.

**NOTE:** Moving the control to the OFF position does not remove power to the light circuit.

**NOTE:** Not all appliance bulbs will fit your refrigerator. Be sure to replace the bulb with one of the same size, shape and wattage.

#### To change the refrigerator light:

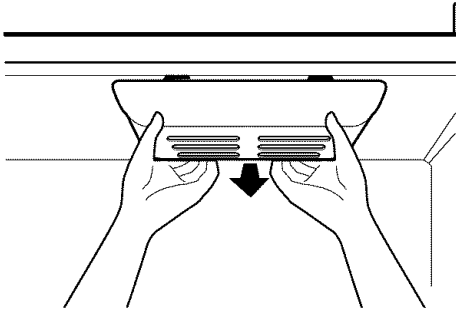
1. Unplug the power cord from the outlet.
2. Remove refrigerator shelves.
3. Release the hooks on the front of the light shield with the help of a flat screwdriver and pull the shield down to remove it.
4. Turn the bulb counterclockwise.
5. To assemble, first insert the hooks at the back and then push up the light shield upwards.



## CARE AND CLEANING

### To change the freezer light:

1. Unplug refrigerator or disconnect power.
2. Reach behind light shield to remove bulb.
3. Replace bulb with a 60-watt appliance bulb.
4. Plug in refrigerator or reconnect power.



### POWER INTERRUPTIONS

If the electricity goes off, call the power company and ask how long it will be off.

1. If the power will be out for 24 hours or less, keep both refrigerator doors closed to help foods stay cold and frozen.
2. If the power will be out for more than 24 hours:
  - a) Remove all frozen food and store it in a frozen food locker.

**OR**

- b) Place 2 lbs of dry ice in the freezer for every cubic foot of freezer space. This will keep the food frozen for two to four days. While handling dry ice, wear gloves to protect your hands from frostbite.

**OR**

- c) If neither a food locker nor dry ice is available, consume or can perishable food at once.

### WHEN YOU GO ON VACATION

If you choose to leave the refrigerator on while you are away, follow these steps to prepare your refrigerator before you leave.

1. Use up any perishables and freeze other items.
2. Empty the ice bin.

If you choose to turn the refrigerator off before you leave, follow these steps.

1. Remove all food from the refrigerator.
2. Depending on your model, set the thermostat control (refrigerator control) to OFF. See the **Setting the Controls** section.
3. Clean refrigerator, wipe it and dry well.
4. Tape rubber or wood blocks to the tops of both doors to prop them open far enough for air to get in. This stops odor and mold from building up.

### WHEN YOU MOVE

When you are moving your refrigerator to a new home, follow these steps to prepare it for the move.

1. Remove all food from the refrigerator and pack all frozen food in dry ice.
2. Depending on your model, turn the thermostat control (refrigerator control) to OFF. See the **Setting the Controls** section.
3. Unplug the refrigerator.
4. Empty water from the defrost pan.
5. Clean, wipe and dry thoroughly.
6. Take out all removable parts, wrap them well and tape them together so they don't shift and rattle during the move.
7. Depending on the model, raise the front of the refrigerator so it rolls more easily OR screw in the leveling legs all the way so they don't scrape the floor. See the **Door Closing** section.
8. Tape the doors shut and tape the power cord to the refrigerator cabinet.

When you get to your new home, put everything back and refer to the **Installing Your Refrigerator** section for preparation instructions.

## ABOUT THE AUTOMATIC ICEMAKER

**NOTE:** Automatic Ice Maker feature is included only in certain models. Please check your product specification.

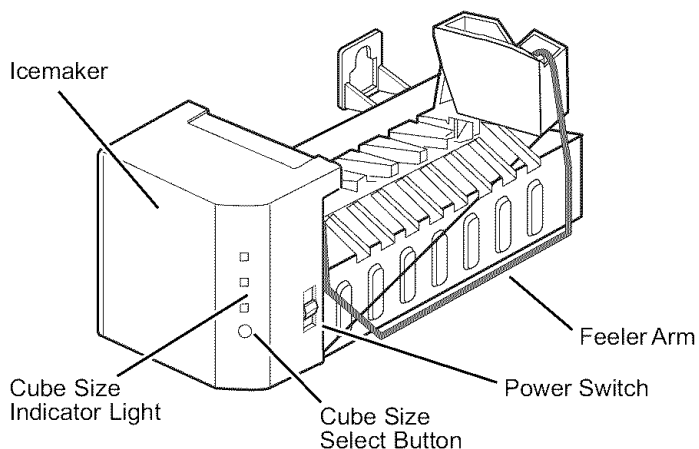
### **⚠ WARNING**

#### **Personal Injury Hazard**

Avoid contact with the moving parts of the ejector mechanism, or with the heating element that releases the cubes. **DO NOT** place fingers or hands on the automatic icemaking mechanism while the refrigerator is plugged in.

### OPERATION INSTRUCTIONS

**A newly-installed refrigerator may take 12 to 24 hours to begin making ice.**



The icemaker will produce eight cubes per cycle approximately 100 - 130 cubes in a 24-hour period, depending on freezer compartment temperature, room temperature, number of door openings and other operating conditions.

If the refrigerator is used before the water connection is made to the icemaker, set the power switch to **O (off)**.

When the refrigerator has been connected to the water supply, set the power switch to **I (on)**.

The icemaker will fill with water when it cools to freezing. A newly-installed refrigerator may take 12 to 24 hours to begin making ice cubes.

Throw away the first few batches of ice to allow the water line to clear.

Be sure nothing interferes with the sweep of the feeler arm.

When the bin fills to the level of the feeler arm, the icemaker will stop producing ice.

It is normal for several cubes to be stuck together.

If ice is not used frequently, old ice cubes will become cloudy, taste stale, and shrink.

**NOTE:** If the cube size is smaller or larger than you expected, you can regulate the size with the cube size button. (normally caused by variations in water pressure.)

Every time you press the cube size button, the indicator light goes up. The higher position light is on, the larger cubes will be. (1st step is the next after the 5th step.)

### **WHEN YOU SHOULD SET THE ICEMAKER POWER SWITCH TO O (OFF)**

- When the water supply will be shut off for several hours.
- When the ice storage bin is removed for more than a minute or two.
- When the refrigerator will not be used for several days.

### **NORMAL SOUNDS YOU MAY HEAR**

- The icemaker water valve will buzz as the icemaker fills with water. If the power switch is in the **I (on)** position, it will buzz even if it has not yet been hooked up to water. To stop the buzzing, move the power switch to **O (off)**.

**NOTE:** Keeping the power switch in the **I (on)** position before the water line is connected can damage the icemaker.

- You will hear the sound of cubes dropping into the bin and water running in the pipes as the icemaker refills.

### **PREPARING FOR VACATION**

Set the icemaker power switch to **O (off)** and shut off the water supply to the refrigerator.

If the ambient temperature will drop below freezing, have a qualified servicer drain the water supply system (on some models) to prevent serious property damage due to flooding from ruptured water lines or connections.

## CONNECTING THE WATER LINE

**NOTE:** Water line installation is needed when the Automatic Ice Maker and/or Water Dispenser features are available on your product.

### BEFORE YOU BEGIN

This water line installation is not warranted by the refrigerator or icemaker manufacturer. Follow these instructions carefully to minimize the risk of expensive water damage.

Water hammer (water banging in the pipes) in house plumbing can cause damage to refrigerator parts and lead to water leakage or flooding. Call a qualified plumber to correct water hammer before installing the water supply line to the refrigerator.

To prevent burns and product damage, do not hook up the water line to the hot water line.

If you use your refrigerator before connecting the water line, make sure the icemaker power switch is in the **O (off)** position.

Do not install the icemaker tubing in areas where temperatures fall below freezing.

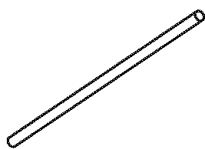
When using any electrical device (such as a power drill) during installation, be sure the device is double-insulated or grounded in a manner to prevent the hazard of electric shock, or is battery-powered.

All installations must be in accordance with local plumbing code requirements.

**NOTE:** Wear eye protection.

### WHAT YOU WILL NEED

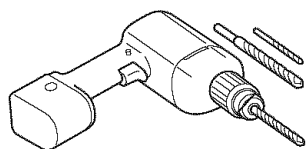
- **Copper Tubing**, 1/4" outer diameter to connect the refrigerator to the water supply. Be sure both ends of the tubing are cut square.



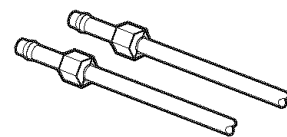
To determine how much tubing you need: measure the distance from the water valve on the back of the refrigerator to the water supply pipe. Then add 8 feet (2.4 m). Be sure there is sufficient extra tubing (about 8 feet [2.4 m] coiled into 3 turns of about 10 [25 cm] diameter) to allow the refrigerator to move out from the wall after installation.

Be sure that the kit you select allows at least 8 feet (2.4 m) as described above.

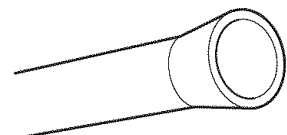
- **A cold water supply.** The water pressure must be between 20 and 120 p.s.i. on models without a water filter and between 40 and 120 p.s.i. on models with a water filter.
- **Power drill.**
- **1/2" or adjustable wrench.**
- **Straight- and Phillips-blade screwdriver**



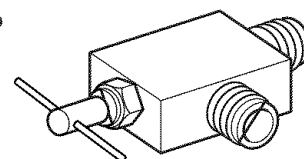
- **Two 1/4" outer diameter compression nuts and 2 ferrules (sleeves)** to connect the copper tubing to the shutoff valve and the refrigerator water valve.



- If your existing copper water line has a flared fitting at the end, you will need an **adapter** (available at plumbing supply stores) to connect the water line to the refrigerator OR you can cut off the flared fitting with a tube cutter and then use a compression fitting.



- **Shutoff valve to connect to the cold water line.** The shutoff valve should have a water inlet with a minimum inside diameter of 5/32" at the point of connection to the COLD WATER LINE. Saddle-type shutoff valves are included in many water supply kits. Before purchasing, make sure a saddle-type valve complies with your local plumbing codes.



### INSTALLATION INSTRUCTIONS

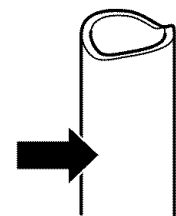
Install the shutoff valve on the nearest frequently used drinking water line.

#### 1. SHUT OFF THE MAIN WATER SUPPLY

Turn on the nearest faucet to relieve the pressure on the line.

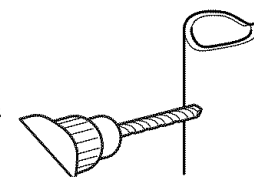
#### 2. CHOOSE THE VALVE LOCATION

Choose a location for the valve that is easily accessible. It is best to connect into the side of a vertical water pipe. When it is necessary to connect into a horizontal water pipe, make the connection to the top or side, rather than at the bottom, to avoid drawing off any sediment from the water pipe.



#### 3. DRILL THE HOLE FOR THE VALVE

Drill a 1/4" hole in the water pipe (even if using a self-piercing valve) using a sharp bit. Remove any burrs resulting from drilling the hole in the pipe. Take care not to allow water to drain into the drill. Failure to drill a 1/4" hole may result in reduced ice production or smaller cubes.

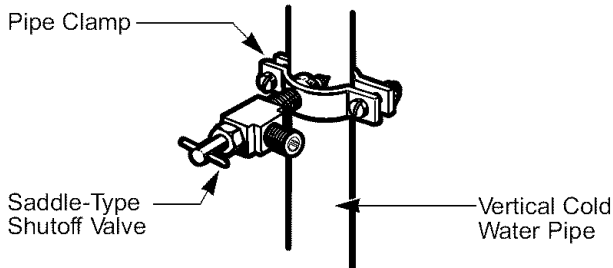


# CONNECTING THE WATER LINE

## INSTALLATION INSTRUCTIONS (CONTINUED)

### 4. FASTEN THE SHUTOFF VALVE

Fasten the shutoff valve to the cold water pipe with the pipe clamp.

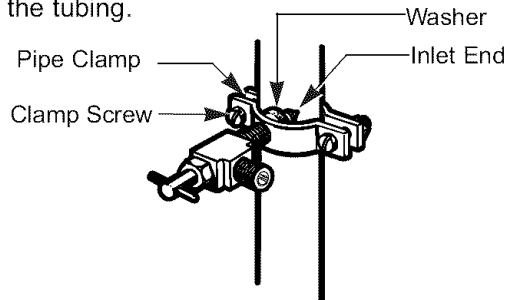


**NOTE:** Commonwealth of Massachusetts Plumbing Codes 248CMR shall be adhered to. Saddle valves are illegal and use is not permitted in Massachusetts. Consult with your licensed plumber.

### 5. TIGHTEN THE PIPE CLAMP

Tighten the clamp screws until the sealing washer begins to swell.

**NOTE:** Do not overtighten or you may crush the tubing.



### 6. ROUTE THE TUBING

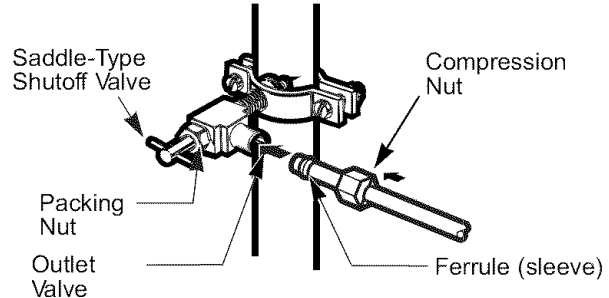
Route the tubing between the cold water line and the refrigerator.

Route the tubing through a hole drilled in the wall or floor (behind the refrigerator or adjacent base cabinet) as close to the wall as possible.

**NOTE:** Be sure there is sufficient extra tubing (about 8 feet coiled into 3 turns of about 10" diameter) to allow the refrigerator to move out from the wall after installation.

### 7. CONNECT THE TUBING TO THE VALVE

Place the compression nut and ferrule (sleeve) for copper tubing onto the end of the tubing and connect it to the shutoff valve. Make sure the tubing is fully inserted into the valve. Tighten the compression nut securely.

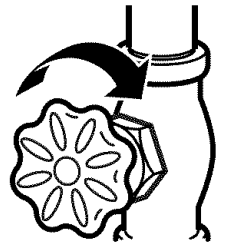


**NOTE:** Commonwealth of Massachusetts Plumbing Codes 248CMR shall be adhered to. Saddle valves are illegal and use is not permitted in Massachusetts. Consult with your licensed plumber.

### 8. FLUSH OUT THE TUBING

Turn the main water supply on and flush out the tubing until the water is clear.

Shut the water off at the water valve after about one quart of water has been flushed through the tubing.



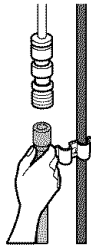
## CONNECTING THE WATER LINE

### 9. CONNECT THE TUBING TO THE REFRIGERATOR

#### NOTES:

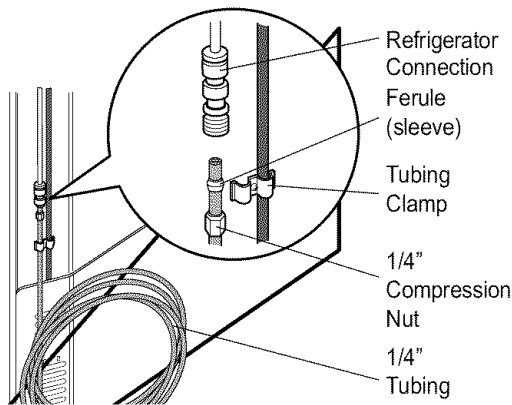
- Before making the connection to the refrigerator, be sure the refrigerator power cord is not plugged into the wall outlet.
- If your refrigerator does not have a water filter, we recommend installing one. If your water supply has sand or particles that could clog the screen of the refrigerator's water valve. Install the filter in the water line near the refrigerator.

Remove the plastic flexible cap from the refrigerator connection.



Place the compression nut and ferrule (sleeve) onto the end of the tubing.

Insert the end of the tubing into the connection as far as possible. While holding the tubing, tighten the fitting.



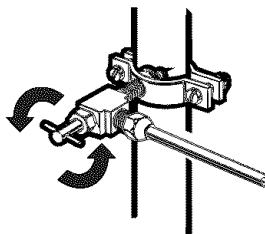
Fasten the tubing into the tubing Clamp attached to the back of the refrigerator.

First, loosen the screw fastening the clamp. Next, insert the tubing in the groove. Finally, re-fasten the screw.

### 10. TURN THE WATER ON AT THE SHUTOFF VALVE

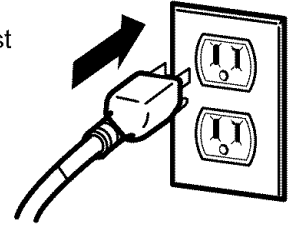
Tighten any connections that leak.

Reattach the compressor compartment access cover.



### 11. PLUG IN THE REFRIGERATOR

Arrange the coil of tubing so that it does not vibrate against the back of the refrigerator or against the wall. Push the refrigerator back to the wall.



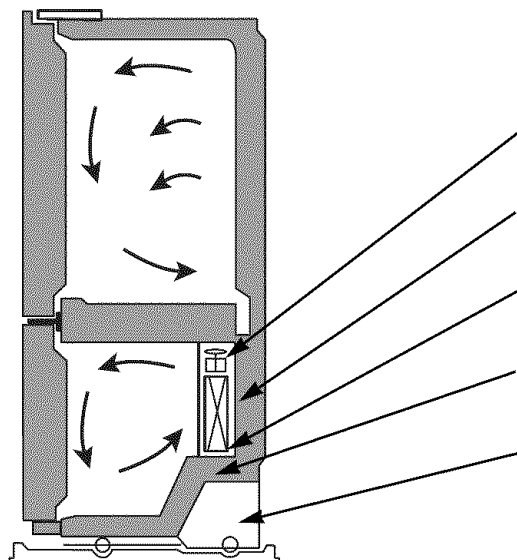
### 12. START THE ICEMAKER

Set the icemaker power switch to the **ON** position. The icemaker will not begin to operate until it reaches its operating temperature of 15°F (-9°C) or below. It will then begin operation automatically if the icemaker power switch is in the **I (on)** position.

# TROUBLESHOOTING GUIDE

## UNDERSTANDING SOUNDS YOU MAY HEAR

Your new refrigerator may make sounds that your old one didn't make. Because the sounds are new to you, you might be concerned about them. Most of the new sounds are normal. Hard surfaces, like the floor, walls and cabinets, can make the sounds seem louder than they actually are. The following describes the kinds of sounds and what may be making them.



- The defrost timer will click when the automatic defrost cycle begins and ends. The thermostat control (or refrigerator control, depending on the model) will also click when cycling on and off.
- Rattling noises may come from the flow of refrigerant, the water line, or items stored on top of the refrigerator.
- Your refrigerator is designed to run more efficiently to keep your food items at the desired temperature. The high efficiency compressor may cause your new refrigerator to run longer than your old one, and you may hear a pulsating or high-pitched sound.
- You may hear the evaporator fan motor circulating the air through the refrigerator and freezer compartments.
- As each cycle ends, you may hear a gurgling sound due to the refrigerant flowing in your refrigerator.
- Contraction and expansion of the inside walls may cause a popping noise.
- Water dripping on the defrost heater during a defrost cycle may cause a sizzling sound.
- You may hear air being forced over the condenser by the condenser fan.
- You may hear water running into the drain pan during the defrost cycle.

## REFRIGERATOR DOES NOT OPERATE

Check if...

Then...

The power supply cord is unplugged.	Firmly plug the cord into a live outlet with proper voltage.
A household fuse has blown or circuit breaker tripped.	Replace the fuse or reset the circuit breaker.
The refrigerator control is set to the OFF position.	Refer to the <b>Setting the Controls</b> .
Refrigerator is in the defrost cycle.	Wait about 30 minutes for defrost cycle to end.

## VIBRATION OR RATTLING NOISE

Check if...

Then...

The refrigerator is not resting solidly on the floor.	Floor is weak or uneven or leveling legs need adjusting. See <b>Installation</b> Section.
---	---

## LIGHTS DO NOT WORK

Check if...

Then...

The power supply cord is unplugged.	Firmly plug the cord into a live outlet with proper voltage.
Light bulb is loose in the socket.	Turn the refrigerator control to the OFF position and unplug the refrigerator. Gently remove the bulb and reinsert. Then plug in refrigerator and reset the refrigerator control.
Light bulb has burned out.	Replace with an appliance bulb of the same wattage, size and shape available at your local hardware store. (See the <b>Changing the Light Bulb(s)</b> Section) Turn the temperature control to the OFF position and unplug the refrigerator prior to replacement.

## TROUBLESHOOTING GUIDE

### COMPRESSOR MOTOR SEEMS TO RUN TOO MUCH

Check if...

Then...

The refrigerator that was replaced was an older model.	Modern refrigerators with more storage space require more operating time.
The room temperature is hotter than normal.	The motor will run longer under warm conditions. At normal room temperatures, expect your motor to run about 40% to 80% of the time. Under warmer conditions, expect it to run even more often.
The door is opened often or a large amount of food has just been added.	Adding food and opening the door warms the refrigerator. It is normal for the refrigerator to run longer in order to cool the refrigerator back down. Adding a large amount of food warms the refrigerator. See the <b>Food Storage Guide</b> Section. In order to conserve energy, try to get everything you need out of the refrigerator at once, keep food organized so it is easy to find and close the door as soon as the food is removed.
The refrigerator was recently plugged in and the refrigerator control was set correctly	The refrigerator will take up to 24 hours to cool completely.
The refrigerator control was not set correctly for the surrounding conditions.	See the <b>Adjusting control settings</b> Section.
The doors are not closed completely.	Push the doors firmly shut. If they will not shut all the way, see <b>Doors will not close completely</b> below.
The condenser coils are dirty.	This prevents air transfer and makes the motor work harder. Clean the condenser coils. Refer to the <b>Care and Cleaning</b> section.

### DOORS WILL NOT CLOSE COMPLETELY

Check if...

Then...

The refrigerator is not level.	See the <b>Installation</b> Section to level refrigerator.
Food packages are blocking the door open.	Rearrange food containers to clear door and door shelves.
The ice bin, crisper cover, pans, shelves, door bins or baskets are out of position.	Push bins all the way in and put crisper cover, pans, shelves and baskets into their correct positions. See the <b>Using Your Refrigerator</b> Section.
The gaskets are sticking.	Clean gaskets and the surface that they touch. Rub a thin coat of paraffin wax on the gaskets after cleaning.
The refrigerator wobbles or seems unstable.	Level the refrigerator. Refer to the <b>Door Closing and Alignment</b> Section.
The doors were removed during product installation and not properly replaced.	Remove and replace the doors according to the <b>Removing, Reversing and Replacing Refrigerator Doors</b> section or call a qualified service technician.

### FROST OR ICE CRYSTALS ON FROZEN FOOD

Check if...

Then...

The door is not closing properly.	See <b>Doors will not close completely</b> above.
The door is opened often.	When the door is opened, warm, humid air is allowed in the freezer resulting in frost.

## TROUBLESHOOTING GUIDE

### ICE HAS OFF-TASTE OR ODOR

Check if...	Then...
The icemaker was recently installed.	Discard first few batches of ice to avoid discolored or off-flavored ice.
The ice has been stored for too long.	Throw away old ice and make new supply.
The food has not been wrapped tightly in either compartment.	Rewrap foods since odors may migrate to the ice if food is not wrapped properly.
The water supply contains minerals such as sulfur.	A filter may need to be installed to eliminate taste and odor problems.
The interior of refrigerator needs cleaning.	See <b>Care and Cleaning</b> section.
Ice storage bin needs cleaning.	Empty and wash bin. Discard old cubes.

### THERE IS WATER IN THE DEFROST DRAIN PAN

Check if...	Then...
The refrigerator is defrosting.	The water will evaporate. It is normal for water to drip into the defrost pan.
It is more humid than normal.	Expect that the water in the defrost pan will take longer to evaporate. This is normal when it is hot or humid.

### THE REFRIGERATOR SEEMS TO MAKE TOO MUCH NOISE

Check if...	Then...
The sounds may be normal for your refrigerator.	Refer to the <b>Understanding Sounds You May Hear</b> section.

### THE ICEMAKER IS NOT PRODUCING ICE OR ICE CUBES ARE FREEZING TOO SLOWLY

Check if...	Then...
The freezer temperature is cold enough to produce ice.	Wait 24 hours after hook-up for ice production. See the <b>Setting the Controls</b> Section.
Door left open.	Check to see if something is holding the door open.

### CUBES PRODUCED BY ICEMAKER ARE TOO SMALL

Check if...	Then...
Smaller cube size level is selected.	Select larger cube size using cube size selector.
Water shutoff valve connecting refrigerator to water line may be clogged.	Call a plumber to clear the valve.

### THE DOORS ARE DIFFICULT TO OPEN

Check if...	Then...
The gaskets are dirty or sticky.	Clean gaskets and the surfaces that they touch. Rub a thin coat of appliance polish or kitchen wax on the gaskets after cleaning
The door is reopened within a short time after having been opened.	When you open the door, warmer air enters the refrigerator. As the warm air cools, it can create a vacuum. If the door is hard to open, wait 5 minutes to allow the air pressure to equalize, then see if it opens more easily.

## TROUBLESHOOTING GUIDE

### AUTOMATIC ICEMAKER DOES NOT WORK

Check if...

Then...

Icemaker power switch in the <b>O (off)</b> position.	Move the switch to the <b>I (on)</b> position.
Water supply turned off or not connected.	See the <b>Connecting the Water Line</b> section.
Freezer compartment too warm.	Wait 24 hours for the freezer to reach its ideal temperature.
Piled up cubes in the storage bin cause the icemaker to shut off.	Level cubes by hand.

### TEMPERATURE IS TOO WARM OR THERE IS INTERIOR MOISTURE BUILDUP

Check if...

Then...

The air vents are blocked. Cold air circulates from the freezer to the fresh food section and back again through air vents in the wall dividing the two sections.	Locate air vents by using your hand to sense airflow and move all packages that block vents and restrict airflow. Refer to <b>multi flow</b> Section for the location of air vents.
The doors are opened often.	When the door is opened, warm humid air is allowed into the refrigerator. The more the door is opened, the faster the humidity builds up, and the more warm air the refrigerator must cool. In order to keep the refrigerator cool, try to get everything you need out of the refrigerator at once, keep food organized so it is easy to find and close the door as soon as the food is removed.
The control is not set correctly for the surrounding conditions.	Refer to the <b>Setting the Controls</b> Section. Wait 24 hours for temperatures to stabilize or even out. If the temperature is too cold or too warm, move the dial one number at a time.
A large amount of food has just been added to the refrigerator or freezer.	Adding food warms the refrigerator. It can take a few hours for the refrigerator to return to normal temperature.
The food is not packaged correctly.	Wrap food tightly and wipe off damp containers prior to storing in the refrigerator to avoid moisture accumulation. If necessary, repackage food according to the guidelines in the <b>Food Storage Guide</b> Section.
The doors are not closing completely.	See <b>Doors will not close completely</b>
The weather is humid.	In humid weather, air carries moisture into refrigerator when doors are opened.
A self-defrost cycle was completed.	It is normal for droplets to form on the back wall after the refrigerator self-defrosts.

