

READ BEFORE USE
LIRE AVANT UTILISATION
LEA ANTES DE USAR

Visit www.hamiltonbeach.com for our complete line of products and Use and Care Guides – as well as delicious recipes, tips, and to register your product online

Rendez-vous sur www.hamiltonbeach.ca pour notre liste complète de produits et de nos manuels utilisateur – ainsi que nos délicieuses recettes et nos conseils

Visite www.hamiltonbeach.com (EE. UU.) o www.hamiltonbeach.com.mx (México) para ver otros productos de Hamilton Beach o para contactarnos

Questions

Please call us – our friendly associates are ready to help.
USA: 1.800.851.8900

Questions

N'hésitez pas à nous appeler – nos associés s'empreseront de vous aider.
CAN : 1.800.267.2826

Preguntas

Por favor llámenos – nuestros amables representantes están listos para ayudar.

EE. UU.: 1.800.851.8900

MEX: 01 800 71 16 100

Le invitamos a leer cuidadosamente este instructivo antes de usar su aparato.

Hamilton Beach®



Big Mouth™ Juice Extractor Centrifugeuse Big Mouth™ Extractor de Jugo Big Mouth™

English 2

Français 13

Español 23

IMPORTANT SAFEGUARDS

When using electrical appliances, basic safety precautions should always be followed to reduce the risk of fire, electric shock, and/or injury to persons, including the following:

1. Read all instructions.
2. This appliance is not intended for use by persons with reduced physical, sensory, or mental capabilities, or lack of experience and knowledge, unless they are closely supervised and instructed concerning use of the appliance by a person responsible for their safety.
3. This appliance shall not be used by children. Keep the appliance and its cord out of reach of children.
4. Close supervision is necessary when any appliance is used near children. Children should be supervised to ensure that they do not play with the appliance.
5. To protect against risk of electric shock, do not immerse cord, plug, or motor base in water or other liquid.
6. Turn the appliance OFF (●), then unplug from outlet when not in use, before putting on or taking off parts, and before cleaning. To unplug, grasp the plug and pull from the outlet. Never pull from the power cord.
7. Avoid contact with moving parts.
8. Never feed food into food chute by hand. Always use the food pushers.
9. Always make sure the juice extractor is properly and completely assembled before the motor is turned ON. The unit will not turn ON unless properly assembled. Do not release safety locking arm while juice extractor is in operation.
10. Be sure to turn switch to OFF (●) position after each use of your juice extractor. Make sure the motor stops completely before disassembling.
11. Do not put fingers or other objects into the juice extractor feed chute while it is in operation. If food becomes lodged in the opening, use food pusher to push it down. When this method is not possible, turn the motor OFF (●), unplug the cord from the outlet, and disassemble juicer to remove the remaining food.
12. Do not use appliance for other than intended use.
13. Do not operate any appliance with a damaged supply cord or plug, or after the appliance malfunctions or has been dropped or damaged in any manner. Supply cord replacement and repairs must be conducted by the manufacturer, its service agent, or similarly qualified persons in order to avoid a hazard. Call the provided customer service number for information on examination, repair, or adjustment.
14. The use of attachments not recommended or sold by the appliance manufacturer may cause fire, electric shock, or injury.
15. Do not use outdoors.
16. Do not let cord hang over edge of table or counter, or touch hot surfaces, including stove.
17. Do not leave juice extractor unattended while it is operating.
18. Blades are sharp; handle carefully. Do not touch the small cutting blades in the base of the stainless steel strainer basket.
19. Keep hair, clothing, and jewelry, as well as spatulas and other utensils, away from feed chute during operation to prevent the possibility of severe injury to persons and/or damage to the appliance.
20. Do not use the appliance if the rotating strainer basket or juice cover is damaged or has visible cracks.
21. Always use the juice extractor on a dry, level surface.
22. Do not operate without the pulp container in place.
23. Do not place on or near a hot gas or electric burner or in a heated oven.
24. Check that the appliance is OFF (●) before plugging cord into wall outlet. To disconnect, turn the control to OFF (●); then remove plug from wall outlet. To unplug, grasp the plug and pull from the outlet. Never pull from the power cord.

25. **CAUTION!** In order to avoid a hazard due to inadvertent resetting of the thermal cut-out, this appliance must not be supplied through an external switching device, such as a timer, or connected to a circuit that is regularly switched on and off by the utility.

SAVE THESE INSTRUCTIONS

Other Consumer Safety Information

This product is intended for household use only.

⚠ WARNING Shock Hazard: This appliance has a polarized plug (one wide blade) that reduces the risk of electric shock. The plug fits only one way into a polarized outlet. Do not defeat the safety purpose of the plug by modifying the plug in any way or by using an adapter. If the plug does not fit fully into the outlet, reverse the plug. If it still does not fit, have an electrician replace the outlet.

The length of the cord used on this appliance was selected to reduce the hazards of becoming tangled in or tripping over a longer cord. If a longer cord is necessary, an approved extension cord may be used. The electrical rating of the extension cord must be equal to or greater than the rating of the appliance. Care must be taken to arrange the extension cord so that it will not drape over the counter-top or tabletop where it can be pulled on by children or accidentally tripped over.

The electrical rating of this appliance is listed on the bottom panel of the unit.

The strainer basket is a delicate screen. If bent or damaged, do not use, as it could break into small pieces and cause personal injury and/or damage the appliance. Call our toll-free customer service number to order a new basket. Replace basket when it shows signs of wear.

This machine is equipped with motor overload protection. If the motor stops during operation due to overheating, unplug and allow it to cool down for 15 minutes. Plug machine back in after 15 minutes to resume normal operation.

⚠ WARNING Cut or Crush Hazard.

Extra-wide feed chute. Do not place hands or fingers down feed chute. Always use the food pusher.

Failure to follow this instruction can result in serious personal injury.

Parts and Features

⚠ WARNING

Micro-mesh strainer basket may fly apart during use if it is damaged, resulting in the risk of cuts and bruises. To reduce the risk of personal injury:

- Always inspect micro-mesh strainer basket before each use.
- Never use a cracked, bent, or damaged micro-mesh strainer basket.

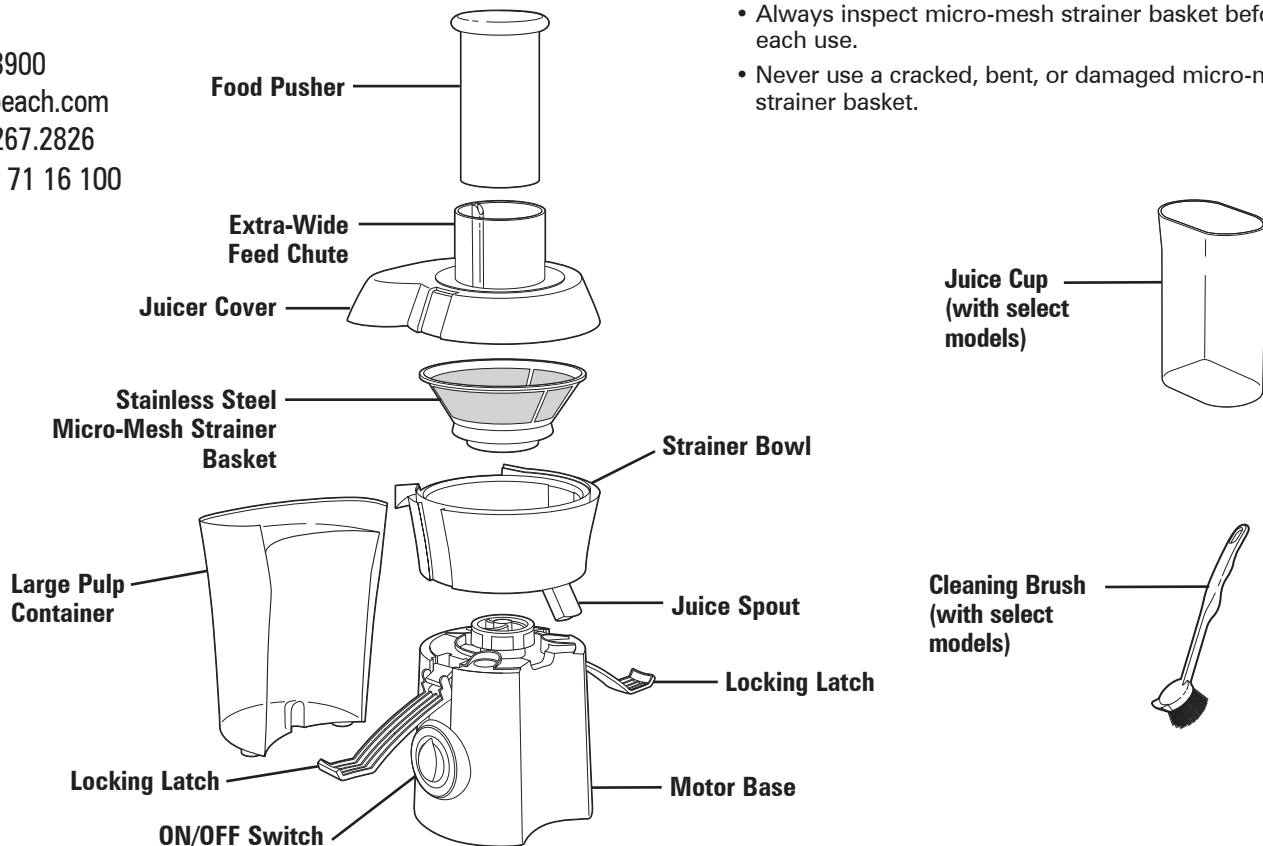
To order parts:

US: 1.800.851.8900

www.hamiltonbeach.com

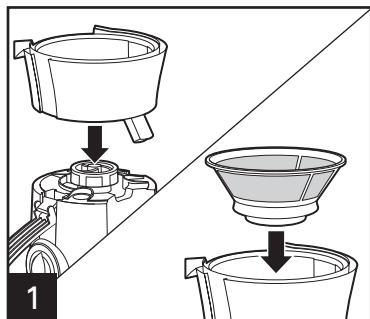
Canada: 1.800.267.2826

Mexico: 01 800 71 16 100

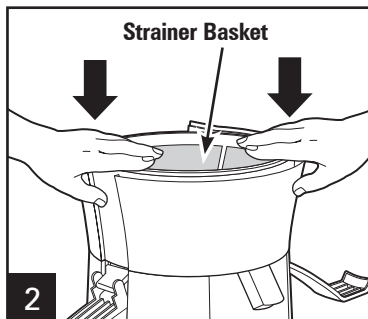


How to Assemble

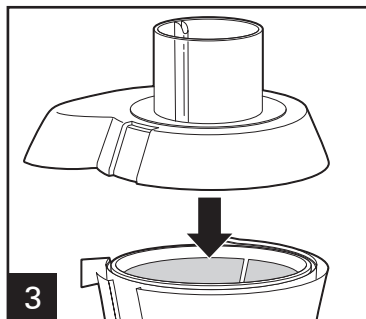
BEFORE FIRST USE: After unpacking the juice extractor, remove cardboard from filter basket and wash everything except the base in warm, soapy water. Rinse and dry immediately. Never immerse the base in water or other liquids; wipe it with a damp sponge.



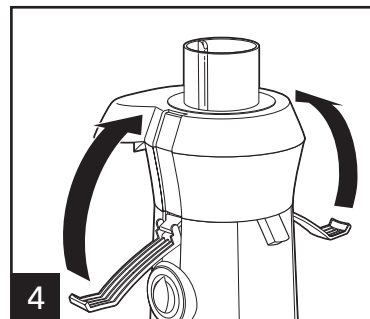
1 Place strainer bowl on top of the motor base. Then place the stainless steel strainer basket inside the strainer bowl.



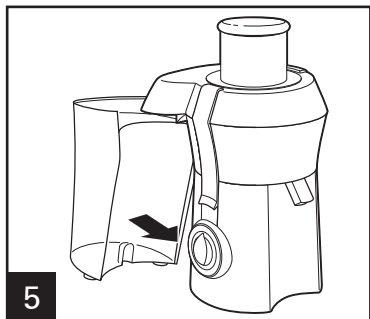
2 With hands on outer edge, press strainer basket down firmly to latch into position.



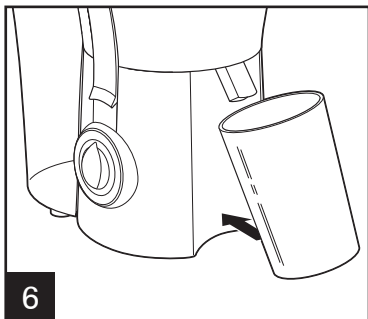
3 Place the juicer cover over the strainer bowl, positioning the feed chute over the strainer basket, and lower into position.



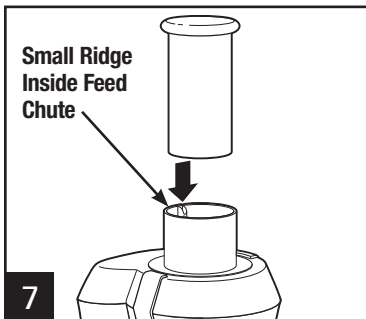
4 Raise the locking latches up to lock into place.



5 Place the pulp container into position by tilting the container slightly.



6 Place a glass or other container under the juice spout. Slide the food pusher down the feed chute by aligning the groove in the food pusher with the small ridge on the inside of the top of the feed tube.

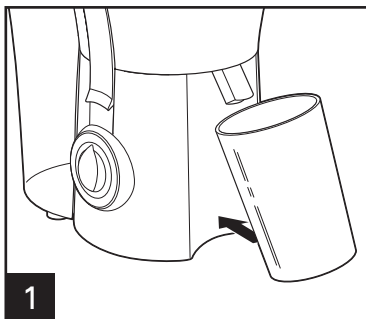


HINT: To minimize cleanup, place a plastic grocery bag in the pulp container to collect the pulp. (See page 6 for more information.)

How to Use

Wash fruits and vegetables.

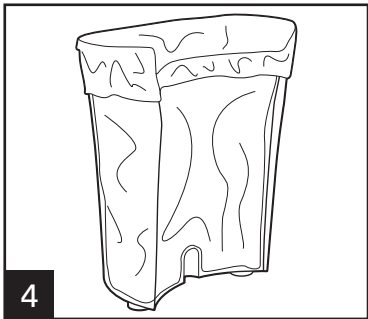
NOTE: Most fruits and vegetables such as apples, carrots, and cucumbers will not need to be cut since they will fit into feed chute whole. It is recommended that fruits or vegetables such as oranges, melons, or mangoes are peeled before placing in unit to minimize impact on juice flavor.



1 Ensure that unit is correctly assembled (see page 5) and place a glass or container under spout.

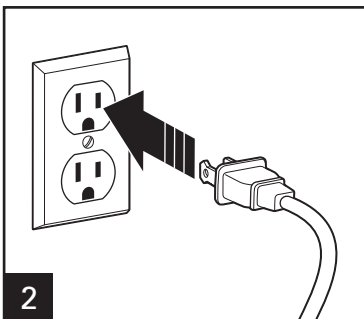
To minimize cleanup, place a plastic grocery bag in pulp container to collect pulp. When juicing is completed, simply remove grocery bag containing pulp.

NOTE: Do not allow pulp container to overfill since this may prevent correct operation or damage the unit.

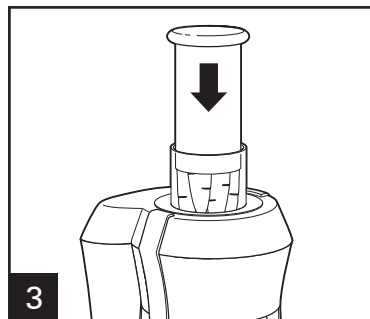


⚠ WARNING Laceration Hazard.

Never use fingers to push food down the feed chute or to clear the feed chute. Always use the food pusher provided.



2 Plug cord into 120-volt AC outlet. Turn ON/OFF switch to ON.

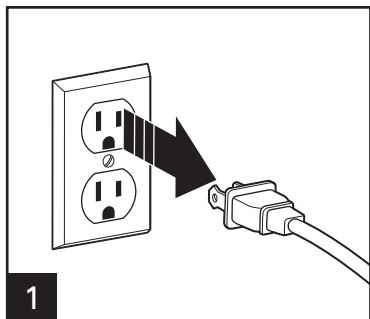


With the motor running, place food down the feed chute. Using food pusher, gently guide food down feed chute. **To extract the maximum amount of juice, always push food pusher down slowly.**

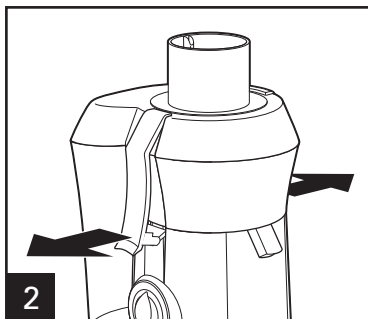
Juice will flow into glass and separated pulp will accumulate in pulp container.

NOTE: Pulp container can be emptied during juicing by turning juice extractor OFF (○) and then carefully removing pulp container. (Replace empty pulp container before continuing to juice.)

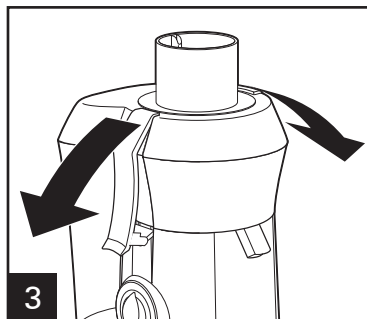
How to Disassemble



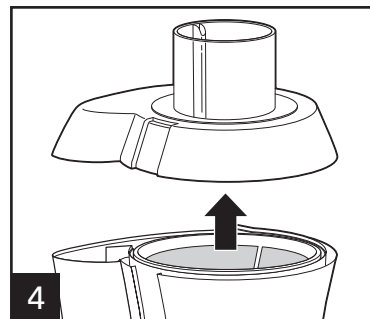
1 Turn juice extractor OFF (●) and unplug. Allow strainer basket to stop turning.



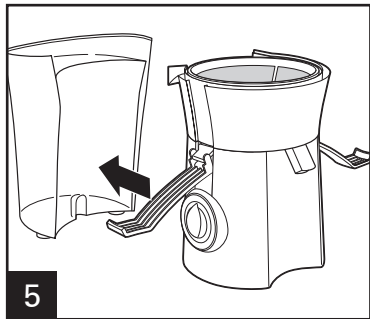
2 Release locking latches.



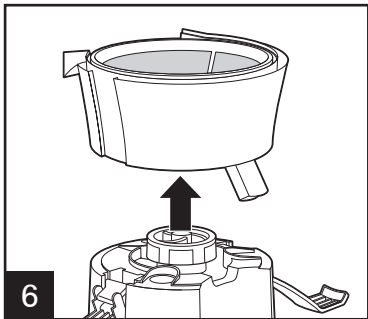
3 Move the locking latches down.



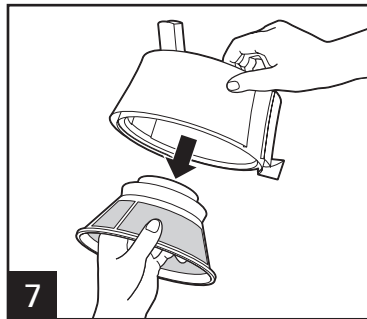
4 Lift off the cover.



5 Remove the pulp container by sliding away from motor base.



6 Lift off the strainer bowl with the strainer basket still in place.

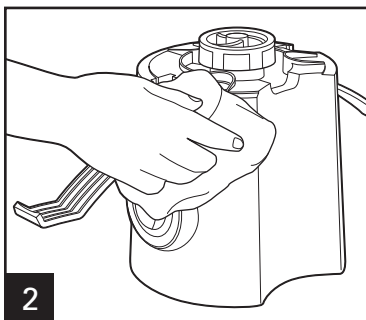
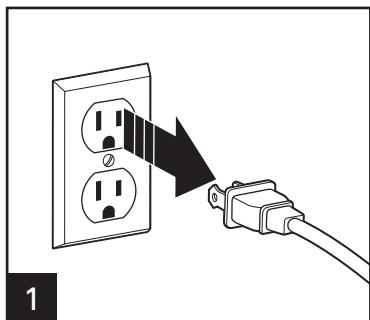


7 To remove the strainer basket, turn the strainer bowl upside down and carefully remove the strainer basket. (It is recommended to remove the strainer basket over a sink.)

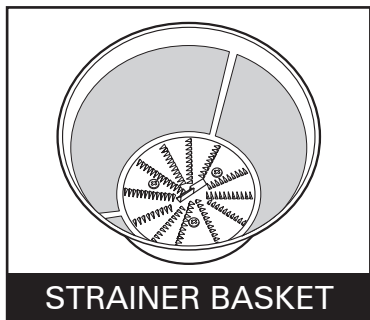
Care and Cleaning

⚠ WARNING Shock Hazard.

Do not immerse motor base in water or any other liquid.



DO NOT use the "SANI" setting when washing in the dishwasher. "SANI" cycle temperatures could damage your product. Do not place the motor base in the dishwasher. Some part distortion may occur if your household dishwasher's temperature is higher than normal or if the parts are placed too close to the heating element.

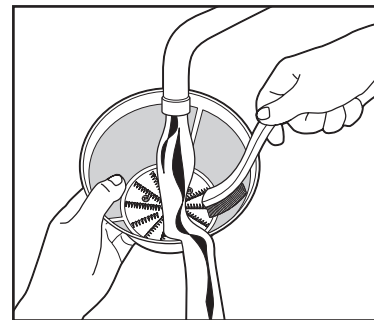


⚠ CAUTION Laceration Hazard.

The center of the strainer basket contains small, sharp blades to process fruits and vegetables during the juicing function. Do not touch blades when handling the strainer basket.

The cleaning brush included with the unit is the most effective way to clean the strainer basket. Using the brush, hold the strainer basket under running water and brush inside and outside of the basket. Always treat the strainer basket with care; it can be damaged easily. Discoloration of the plastic may occur with some fruit and vegetables. To help prevent this, wash all parts immediately after use.

To assist with cleaning, soak the strainer basket in hot, soapy water for approximately 10 minutes immediately after juicing is completed. If pulp is left to dry on the basket it may clog the fine pores of the filter mesh, thereby lessening the effectiveness of the juice extractor.



Juicing Tips, Techniques, and Recipes

PURCHASING AND STORING FRUITS AND VEGETABLES:

- Always wash fruits and vegetables before juicing.
- Always use fresh fruits and vegetables for juicing.
- To save money and obtain fresher produce, purchase fruits or vegetables that are in season.
- Keep your fruits and vegetables ready for juicing by washing them before storing.
- Most fruits and hardier-type vegetables can be stored at cool room temperature. More delicate and perishable items such as tomatoes, berries, leafy greens, celery, cucumbers, and herbs should be stored in the refrigerator until required.

PREPARING FRUITS AND VEGETABLES:

- It is recommended that fruits or vegetables such as oranges, melons, or mangoes are peeled before placing in juice extractor to minimize impact on juice flavor.
- All fruits with pits and large seeds such as nectarines, peaches, apricots, plums, and cherries **MUST** be pitted before juicing.

HINT: Your juice extractor makes invigorating, frothy orange juice. Simply peel the oranges and juice. For best results, refrigerate oranges before juicing.

The following drink recipes yield a single serving of 6 to 10 ounces (170–300 ml). If sugar or honey is listed, add to juice after juicing.

Eye-Opener

- 2 carrots
- 1 apple
- 1 tangerine, peeled

Winter Blue Zing

- 2 apples
- 1/4 cup (59 ml) blueberries
- 1 orange, peeled

Liquid Fire

- 1 medium tomato
- 1/2 jalapeno pepper
- 1 handful parsley
- 1/2 cucumber

Orchard Blend

- 2 apples
- 2 pears

USING THE PULP:

- The remaining pulp left after juicing fruits or vegetables is mostly fiber and cellulose which, like the juice, contain vital nutrients necessary for the daily diet and can be used in many ways. However, like the juice, pulp should be used that day to avoid loss of vitamins.
- There are a number of recipes that use pulp. You can also use pulp to thicken casseroles or soups.
- Pulp is great used in the garden for compost.

SOY MILK, ALMOND MILK, AND RICE MILK:

Your juice extractor may be used to make soy milk, almond milk, and rice milk. One cup of soybeans, almonds, or rice must be soaked in four cups of water for 24 to 48 hours in the refrigerator. Slowly pour one cup of the soaked mixture at a time into the food chute. The liquid extracted from the soaked mixture is the “milk.”

NOTES:

- Almonds must be soaked 24 to 48 hours before juicing.
- Soy milk should be boiled to improve the flavor.
- Vanilla, honey, and sugar may be added to enhance the flavor of each milk type.

Vineyard Pop

- 1 cup (237 ml) grapes
- 1 pear

The Health Club

- 1/2 of a 6-ounce (170 g) bag spinach
- 3 carrots

Sour Grapes

- 1 lime, peeled
- 2 cups (473 ml) red grapes

Troubleshooting

PROBLEM

PROBABLE CAUSE/SOLUTION

Machine will not work when switched ON.

- The locking latches may not be correctly engaged. Check to see if the locking latches are properly positioned in the two grooves on either side of the juice cover. Refer to page 5, Steps 3 and 4.
- This machine is equipped with motor overload protection. If the motor stops during operation due to overheating, unplug and allow it to cool down for 15 minutes. Plug machine back in after 15 minutes to resume normal operation.

Motor appears to stall when juicing.

- The juicing action may be too vigorous. Try slower juicing action by pushing the food pusher down more slowly. Refer to page 6, Step 3.
- Wet pulp can build up under the juicer cover or pulp container. Turn unit OFF (●) and unplug. Empty the pulp bin; then clean juice cover and strainer basket.

Excess pulp building up in the micro-mesh strainer basket.

- Turn OFF (●) and unplug. Remove strainer basket and clean mesh walls with a fine brush. This will remove excess fiber buildup which could be inhibiting the juice flow. Refer to pages 7 and 8.

Pulp is too wet and insufficient juice is produced.

- Try a slower juicing action.
- Turn OFF (●) and unplug. Remove strainer basket and clean mesh walls with a fine brush. This will remove excess fiber buildup which could be inhibiting the juice flow. Refer to pages 7 and 8.

Juice sprays out of spout.

- Try a slower juicing action by pushing the food pusher down more slowly. Refer to page 6, Step 3.

Juice drips out of spout immediately after juicing.

- With motor ON, raise and lower food pusher in feed chute several times. The action forces remaining pulp and juice out of strainer bowl.

Machine vibrates excessively.

- Buildup of pulp in mesh of strainer basket. Turn unit OFF (●) and unplug. Clean strainer basket. Refer to page 8. If machine vibration continues after cleaning, this could be a sign of a damaged strainer basket. Call our toll-free customer service number to order a new strainer basket.

Notes

Limited Warranty

This warranty applies to products purchased and used in the U.S. and Canada. This is the only express warranty for this product and is in lieu of any other warranty or condition.

This product is warranted to be free from defects in material and workmanship for a period of five (5) years from the date of original purchase in Canada and three (3) years from the date of original purchase in the U.S. During this period, your exclusive remedy is repair or replacement of this product or any component found to be defective, at our option; however, you are responsible for all costs associated with returning the product to us and our returning a product or component under this warranty to you. If the product or component is no longer available, we will replace with a similar one of equal or greater value.

This warranty does not cover glass, filters, wear from normal use, use not in conformity with the printed directions, or damage to the product resulting from accident, alteration, abuse, or misuse. This warranty extends only to the original consumer purchaser or gift recipient. Keep the original sales receipt, as proof of purchase is required to make a warranty claim. This warranty is void if the product is used for other than single-family household use or subjected to any voltage and waveform other than as specified on the rating label (e.g., 120V ~ 60 Hz).

We exclude all claims for special, incidental, and consequential damages caused by breach of express or implied warranty. All liability is limited to the amount of the purchase price. **Every implied warranty, including any statutory warranty or condition of merchantability or fitness for a particular purpose, is disclaimed except to the extent prohibited by law, in which case such warranty or condition is limited to the duration of this written warranty.** This warranty gives you specific legal rights. You may have other legal rights that vary depending on where you live. Some states or provinces do not allow limitations on implied warranties or special, incidental, or consequential damages, so the foregoing limitations may not apply to you.

To make a warranty claim, do not return this appliance to the store. Please call 1.800.851.8900 in the U.S. or 1.800.267.2826 in Canada or visit hamiltonbeach.com in the U.S. or hamiltonbeach.ca in Canada. For faster service, locate the model, type, and series numbers on your appliance.

PRÉCAUTIONS IMPORTANTES

Pour utiliser un appareil électroménager, vous devez toujours prendre des mesures élémentaires de sécurité pour réduire le risque d'incendie, d'électrocution et/ou de blessure corporelle, en particulier les mesures suivantes :

1. Lire toutes les instructions.
2. Cet appareil n'est pas destiné à être utilisé par des personnes (y compris les enfants) dont les capacités physiques, sensorielles ou mentales sont réduites, ou manquant d'expérience et de connaissance, sauf si elles sont étroitement surveillées et instruites sur l'utilisation de l'appareil par une personne responsable de leur sécurité.
3. Cet appareil ne devrait pas être utilisé par des enfants. Garder l'appareil et son cordon hors de la portée des enfants.
4. Une surveillance étroite est requise pour tout appareil utilisé par ou près des enfants. Surveiller que les enfants ne jouent pas avec l'appareil.
5. Pour protéger contre le risque de choc électrique, ne pas immerger le cordon, la fiche ou le socle-moteur dans l'eau ou autre liquide.
6. Toujours ÉTEINDRE (OFF/○) l'appareil et le débrancher de la prise de courant électrique lorsqu'il n'est pas utilisé, avant d'y placer ou d'en enlever des pièces ou avant un nettoyage.
7. Éviter de toucher les parties mobiles.
8. Ne jamais introduire d'aliments dans l'entonnoir avec les mains. Toujours utiliser les poussoirs.
9. Toujours s'assurer que la centrifugeuse est assemblée correctement et complètement avant de mettre le moteur en marche. L'appareil ne se mettra pas en marche à moins d'avoir été bien assemblé. Ne pas relâcher le bras de verrouillage de sécurité pendant que la centrifugeuse est en marche.
10. S'assurer de mettre la centrifugeuse sur la position OFF (○/arrêt) après chaque utilisation. S'assurer que le moteur est complètement arrêté avant de démonter l'appareil.
11. Ne mettre ni les doigts ni aucun objet dans la trémie de la centrifugeuse lorsque celle-ci est en marche. Si des aliments se coincent dans l'ouverture, se servir du poussoir pour les enfoncer. Lorsque cela n'est pas possible, ÉTEINDRE (OFF/○) le moteur, débrancher le cordon de la prise et démonter la centrifugeuse pour procéder au retrait des aliments coincés.
12. Ne pas utiliser cet appareil pour un autre usage que celui auquel il est destiné.
13. Ne pas faire fonctionner un appareil électroménager avec un cordon ou une fiche endommagée, ou lorsque l'appareil ne fonctionne pas bien ou a été échappé ou endommagé d'une manière quelconque. Le remplacement et la réparation du cordon d'alimentation doivent être faits par le fabricant, son agent de service ou toute personne qualifiée de façon à éviter tout danger. Appeler le numéro de service à la clientèle fourni pour des renseignements concernant l'examen, la réparation ou l'ajustement.
14. L'utilisation d'accessoires non recommandés ni vendus par le fabricant d'appareil peut causer un incendie, un choc électrique ou des blessures.
15. Ne pas utiliser l'appareil à l'extérieur.
16. Ne pas laisser le cordon pendre au bord d'une table ou d'un comptoir, ni venir en contact avec des surfaces chaudes, y compris la cuisinière.
17. Ne pas vous éloigner de la centrifugeuse lorsque celle-ci est en marche.
18. Les lames du couteau sont coupantes. Les manipuler avec soin. Ne pas toucher aux petites lames dans le socle du panier-filtre en acier inoxydable.
19. Ne pas approcher de la trémie, cheveux, vêtements, bijoux, spatules ou ustensiles pendant la marche de l'appareil, afin d'éviter tout risque de blessure ou d'endommagement de la machine.
20. Ne pas utiliser l'appareil si le panier-filtre pivotant ou le couvercle de la centrifugeuse présentent des dommages ou des fissures apparentes.
21. Toujours utiliser la centrifugeuse sur une surface sèche et plane.
22. Ne pas faire fonctionner sans installer le récipient à pulpe.
23. Ne pas placer l'appareil sur ou près d'un brûleur à gaz ou électrique chaud ou dans un four chauffé.

24. S'assurer que l'appareil est OFF (O/arrêt) avant de brancher la fiche dans la prise de courant. Pour débrancher, tourner la commande à et mettre à OFF (O/arrêt) puis débrancher la fiche de la prise de courant. Pour débrancher, saisir la fiche et la retirer de la prise. Ne pas tirer sur le cordon d'alimentation.

25. **ATTENTION !** Afin d'éviter un danger découlant d'une réinitialisation accidentelle du rupteur thermique, se dispositif ne doit pas être alimenté par l'entremise d'un appareil de connexion externe, comme une minuterie, ou connecté à un circuit qui est régulièrement mis sous et hors tension par le service public.

CONSERVER CES INSTRUCTIONS

Autres renseignements de sécurité pour les consommateurs

Cet appareil est destiné à un usage domestique uniquement.

⚠ AVERTISSEMENT Risque d'électrocution : Cet appareil électroménager possède une fiche polarisée (une broche large) qui réduit le risque d'électrocution. Cette fiche n'entre que dans un seul sens dans une prise polarisée. Ne contrecarrez pas l'objectif sécuritaire de cette fiche en la modifiant de quelque manière que ce soit ou en utilisant un adaptateur. Si vous ne pouvez pas insérer complètement la fiche dans la prise, inversez la fiche. Si elle refuse toujours de s'insérer, faire remplacer la prise par un électricien.

La longueur du cordon installé sur cet appareil a été sélectionnée afin de réduire les risques d'enchevêtrement ou de faux pas causés par un fil trop long. L'utilisation d'une rallonge approuvée est permise si le cordon est trop court. Les caractéristiques électriques de la rallonge doivent être équivalentes ou supérieures aux caractéristiques de l'appareil. Prendre toutes les précautions nécessaires pour installer la rallonge de manière à ne pas la faire courir sur le comptoir ou sur une table pour éviter qu'un enfant ne tire sur le cordon ou trébuche accidentellement.

L'ampérage de cet appareil est indiqué sur la plaque signalétique sous la base.

Le panier-filtre est délicat. Ne pas l'utiliser si'il est tordu ou endommagé, car il pourrait se briser en petits morceaux et occasionner des blessures ou endommager l'appareil. Composer notre numéro d'appel sans frais de service aux clients afin de commander un nouveau panier-filtre. Remplacer le panier-filtre quand il montre des signes d'usure.

Cet appareil est équipé d'un dispositif contre les surcharges. Si le moteur s'arrête pendant qu'il est en marche à cause d'une surchauffe, débrancher et laisser refroidir l'appareil pendant 15 minutes. Rebrancher l'appareil après 15 minutes et continuer l'opération.

⚠ AVERTISSEMENT Risque de coupures ou de contusions.

Trémie extra-large. Ne pas introduire les mains ou les doigts dans la trémie. Toujours utiliser le poussoir.

Tout non respect de cette instruction peut occasionner des blessures corporelles sérieuses.

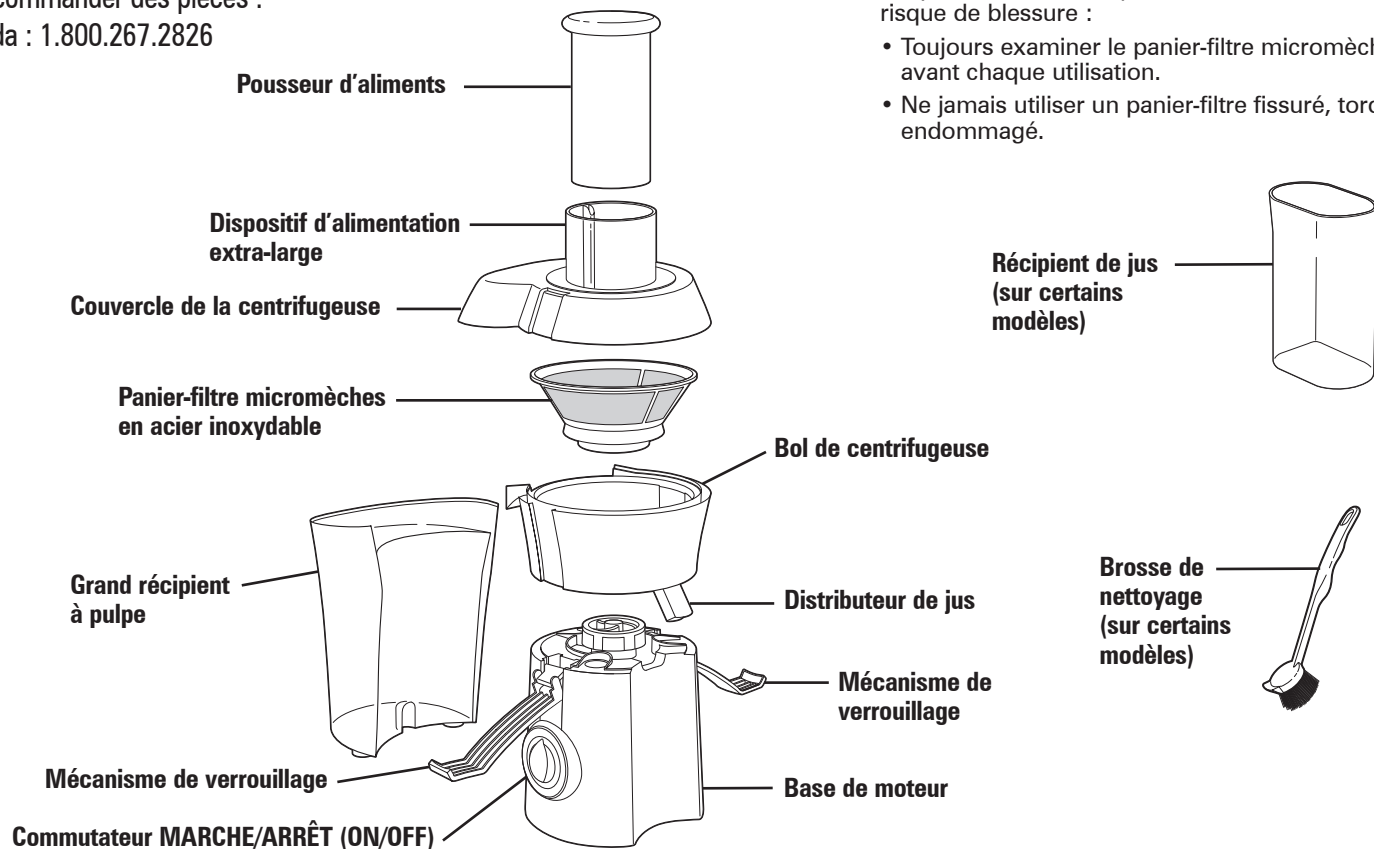
Pièces et caractéristiques

Pour commander des pièces :
Canada : 1.800.267.2826

⚠ AVERTISSEMENT

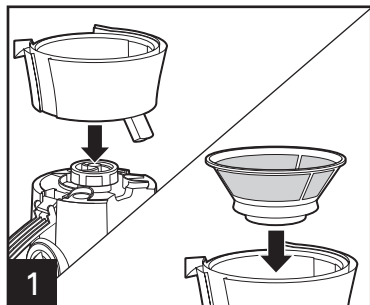
Le panier-filtre micromèches risque de s'envoler s'il est endommagé et occasionner des risques de coupures ou des ecchymoses. Pour diminuer le risque de blessure :

- Toujours examiner le panier-filtre micromèches avant chaque utilisation.
- Ne jamais utiliser un panier-filtre fissuré, tordu ou endommagé.

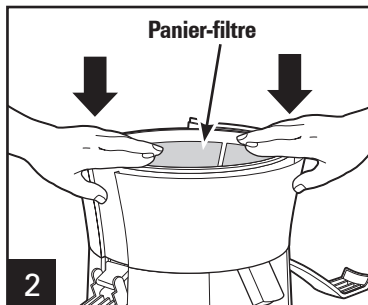


Assemblage

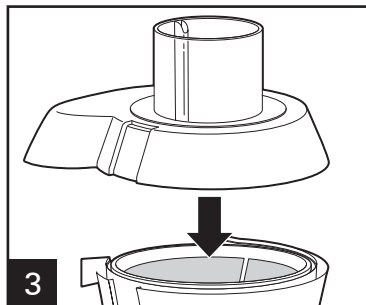
AVANT LA PREMIÈRE UTILISATION : Une fois la centrifugeuse sortie de l'emballage, ôter le carton du panier-filtre et laver tous les éléments à l'exception du socle, à l'eau savonneuse tiède, puis les rincer et les essuyer immédiatement. Ne jamais immerger le socle dans l'eau ou autre liquides. La nettoyer à l'aide d'une éponge humide.



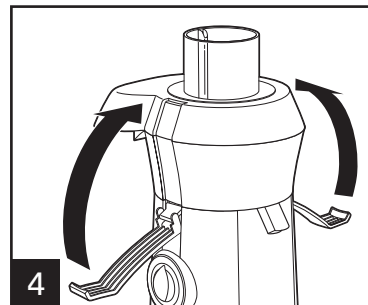
1 Placer le bol de la centrifugeuse au-dessus de la base du moteur. Placer le panier-filtre en acier inoxydable dans le bol de la centrifugeuse.



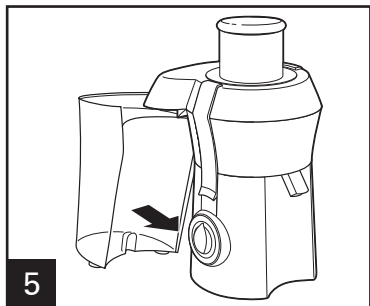
2 Avec les mains sur le bord extérieur, appuyer fermement sur le panier-filtre vers le bas, afin de le verrouiller en position.



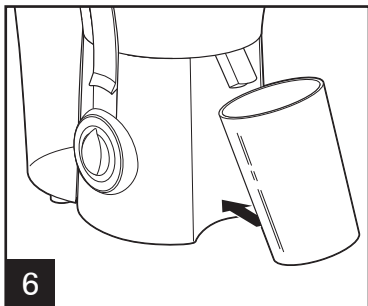
3 Placer le couvercle de la centrifugeuse sur le bol de centrifugeuse, en plaçant le dispositif d'alimentation sur le panier-filtre et abaisser en position.



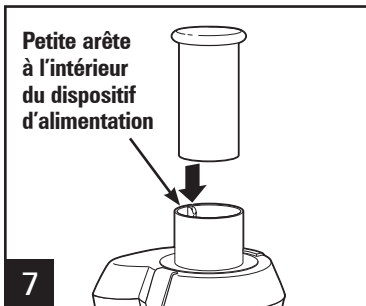
4 Soulever les mécanismes de verrouillage afin de les verrouiller en place.



5 Placer le récipient à pulpe en position en faisant légèrement basculer ce récipient.



6 Placer un verre ou un autre récipient sous le distributeur de jus. Faire descendre le poussoir d'aliments dans le dispositif d'alimentation en alignant la rainure du poussoir d'aliments à la petite arête située à l'intérieur du sommet du dispositif d'alimentation.

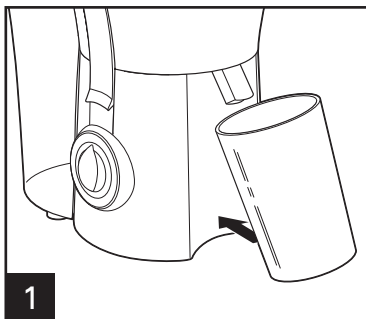


CONSEIL : Pour minimiser le nettoyage, placer un sac d'épicerie dans le récipient à pulpe pour recueillir la pulpe. (Voir page 17 davantage de renseignements.)

Utilisation

Laver les fruits et les légumes.

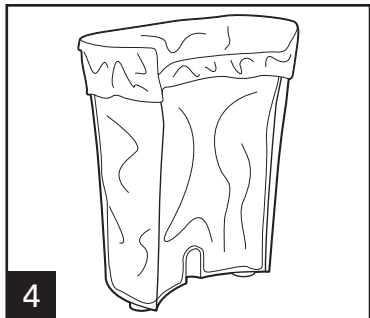
NOTE : Il est inutile de couper la plupart des fruits et des légumes, comme les pommes, les carottes et les concombres, car ils entrent entiers dans le dispositif d'alimentation. On recommande d'éplucher les fruits ou les légumes comme les oranges, les melons ou les mangues, avant de les mettre dans la centrifugeuse, afin de minimiser l'incidence sur la saveur du jus.



1 S'assurer que la centrifugeuse est bien assemblée (voir le page 16) et placer un verre ou un récipient sous le distributeur de jus.

Pour minimiser les nettoyages, placer un sac d'épicerie en matière plastique dans le récipient à pulpe pour recueillir la pulpe. Quand la centrifugeuse a terminé d'extraire le jus, enlever simplement le sac d'épicerie qui contient la pulpe.

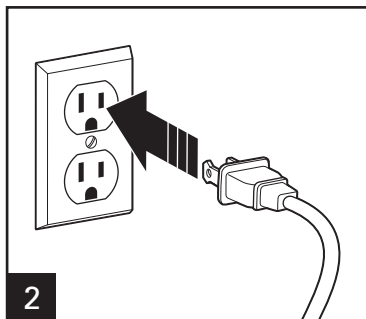
NOTE : Ne jamais permettre au récipient à pulpe de trop se remplir, car cela peut empêcher un bon fonctionnement et endommager la centrifugeuse.



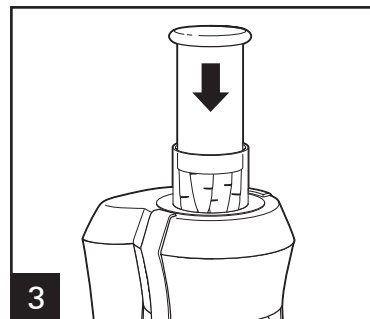
4

⚠ AVERTISSEMENT Risque de déchirures.

Ne jamais utiliser les doigts pour pousser les aliments dans le dispositif d'alimentation ou pour le nettoyer. Toujours utiliser le poussoir d'aliments fourni.



2 Brancher le cordon dans une prise de courant alternatif de 120 volts. Mettre le commutateur MARCHE/ARRÊT (ON/OFF) en position MARCHE (ON).

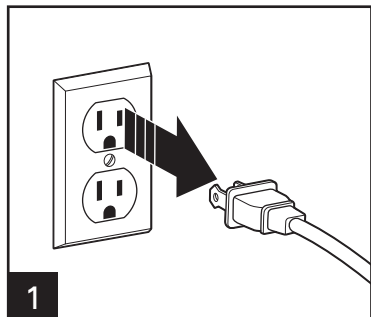


3 Avec le moteur en marche, mettre les aliments dans le dispositif d'alimentation. À l'aide du poussoir d'aliments, faites doucement descendre les aliments dans le dispositif d'alimentation. **Pour extraire une quantité maximum de jus, pousser toujours doucement vers le bas le poussoir d'aliments.**

Le jus coulera dans le verre et la pulpe séparée s'accumule dans le récipient à pulpe.

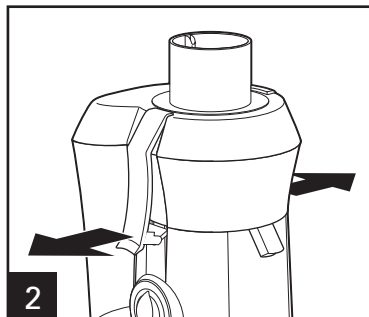
NOTE : On peut vider le récipient à pulpe pendant la centrifugation en mettant la centrifugeuse en position arrêt (OFF/○) et ensuite en enlevant soigneusement le récipient à pulpe (remettre en place le récipient à pulpe vide avant de continuer à centrifuger).

Désassemblage



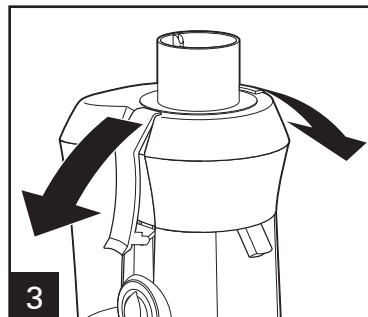
1

Mettre la centrifugeuse en position arrêt (OFF/O) et débrancher le cordon de la prise. Laisser le panier-filtre s'arrêter de tourner.



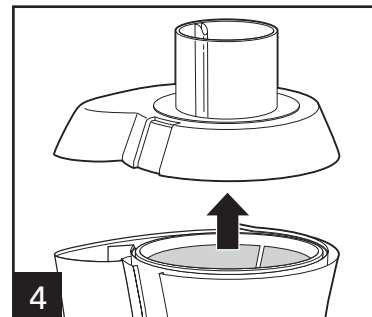
2

Défaire les verrous.



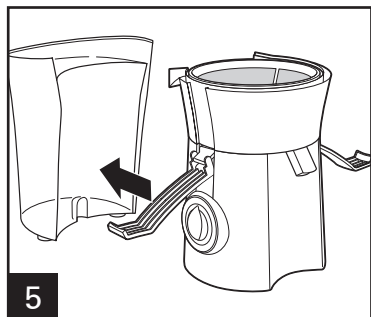
3

Amener vers le bas le mécanisme de verrouillage.



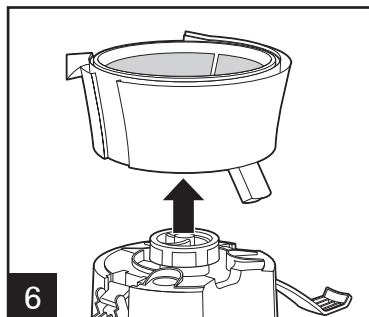
4

Soulever le couvercle.



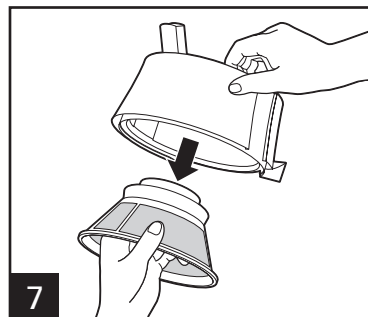
5

Enlever le récipient à pulpe en le faisant glisser de la base du moteur.



6

Soulever le bol de centrifugeuse avec le panier-filtre toujours en place.



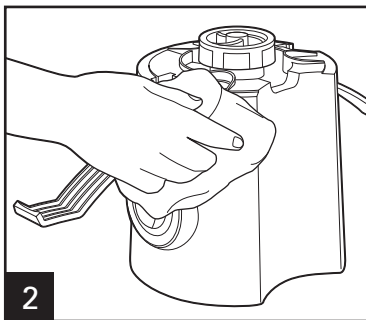
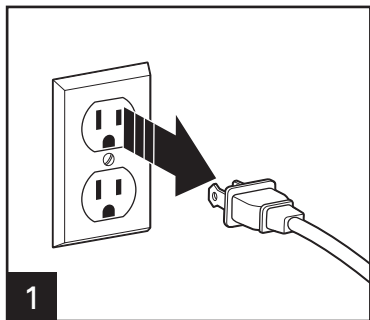
7

Pour enlever le panier-filtre, renverser le bol de centrifugeuse et enlever soigneusement le panier-filtre (on recommande d'enlever le panier-filtre au-dessus d'un évier).

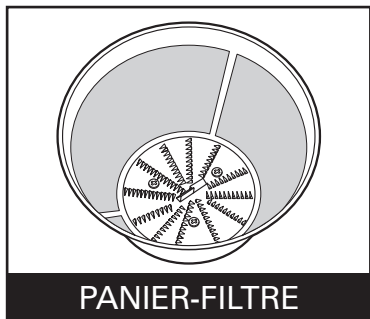
Soins et nettoyage

⚠ AVERTISSEMENT Risque d'électrocution.

Ne jamais immerger la base de moteur dans de l'eau ou dans un autre liquide.



NE PAS utiliser le réglage "SANI" du lave-vaisselle. Les températures du cycle "SANI" peuvent endommager le produit. **Ne jamais** mettre la base de moteur dans le lave-vaisselle. Il peut se produire une déformation si la température du lave-vaisselle est plus élevée que normale ou si les pièces sont placées trop près de l'élément de chauffage.



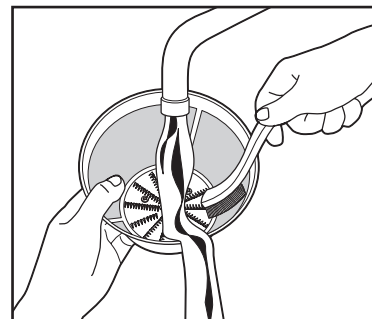
⚠ MISE EN GARDE Risque de déchirures.

Le centre du panier-filtre contient des petites lames aiguës qui traitent les fruits et les légumes pendant l'extraction de jus. Ne jamais toucher ces lames en manipulant le panier-filtre.

La brosse de nettoyage livrée avec la centrifugeuse constitue le moyen le plus efficace pour nettoyer le panier-filtre. Pour utiliser la brosse, tenir le panier-filtre sous l'eau courante et brosser à l'intérieur et à l'extérieur du panier. Faire toujours attention pour nettoyer le panier. Il peut être facilement endommagé.

Il peut se produire une décoloration de la matière plastique avec certains fruits et légumes. Pour aider à prévenir cette décoloration, laver toutes les pièces immédiatement après usage.

Pour faciliter le nettoyage, tremper le panier-filtre dans de l'eau savonneuse chaude pendant environ 10 minutes immédiatement après avoir terminé l'extraction de jus. S'il reste de la pulpe séchée sur le panier, elle peut boucher les pores du filtre et ainsi diminuer l'efficacité de la centrifugeuse.



Conseils, techniques de préparation de jus et recettes

ACHAT ET ENTREPOSAGE DES FRUITS ET LÉGUMES :

- Toujours laver les fruits et légumes avant la préparation de jus.
- Toujours utiliser des fruits et légumes frais pour la préparation de jus.
- Pour économiser et obtenir un produit plus frais, acheter des fruits ou légumes en saison.
- Garder les fruits et légumes prêts pour la préparation de jus en les lavant avant de les entreposer.
- La plupart des fruits et légumes de type plus résistant peuvent être entreposés à une température ambiante fraîche. Les articles plus délicats et périssables tels que les tomates, baies, légumes-feuilles, céleri, concombres et herbes devraient être rangés dans le réfrigérateur jusqu'à leur utilisation.

PRÉPARATION DES FRUITS ET LÉGUMES :

- On recommande d'éplucher les fruits ou les légumes comme les oranges, les melons ou les mangues, avant de les mettre dans la centrifugeuse, afin de minimiser l'incidence sur la saveur du jus.
- Tous les fruits à noyau ou à grosse graine comme les nectarines, les pêches, les abricots, les prunes et les cerises DOIVENT être dénoyautés avant d'être centrifugés.

CONSEIL : Votre centrifugeuse donne un jus d'orange mousseux et vivifiant. Il suffit de peler les oranges et de les passer dans la centrifugeuse. Pour obtenir les meilleurs résultats, réfrigérer les oranges avant la préparation de jus.

Les recettes de boissons suivantes donnent une portion individuelle de 6 à 10 onces (170 à 300 ml).

Pour le réveil

2 carottes
1 pomme
1 tangerine, épluchée

Bleu d'hiver

2 pommes
1/4 tasse (59 ml) de bleuets
1 orange, épluchée

Feu liquide

1 tomate moyenne
1/2 piment jalapeno
1 poignée de persil
1/2 concombre

Mélange verger

2 pommes
2 poires

UTILISATION DE LA PULPE :

- La pulpe obtenue après la préparation de jus de fruits ou de légumes est surtout constituée de fibre et de cellulose qui, comme le jus, contient des éléments nutritifs vitaux nécessaires à un régime quotidien et peut être utilisée de diverses manières. Toutefois, comme pour le jus, la pulpe devrait être utilisée le jour même pour éviter la perte de vitamines.
- La pulpe peut servir dans différentes recettes. On peut aussi utiliser la pulpe pour épaissir les plats en sauce ou les potages.
- La pulpe est également excellente comme compost dans le jardin.

LAIT DE SOYA, LAIT D'AMANDES ET LAIT DE RIZ :

Votre centrifugeuse peut être utilisée pour faire du lait de soya, du lait d'amandes et du lait de riz. Il faut laisser tremper pendant 24 à 48 heures 250 ml (1 tasse) de fèves de soya, d'amandes ou de riz dans 4 tasses (946 ml) d'eau au réfrigérateur. Verser lentement le mélange tasse par tasse dans le mécanisme d'alimentation. Le liquide extrait par centrifugation du mélange est le lait.

REMARQUES :

- Il faut laisser les amandes tremper de 24 à 48 heures avant de centrifuger.
- Il faut bouillir le lait de soya pour améliorer la saveur.
- On peut ajouter de la vanille, du miel et du sucre pour améliorer la saveur de chaque catégorie de lait.

Délice du vignoble

1 tasse (237 ml) de raisin
1 poire

Le club de santé

1/2 sac d'épinards de 6 onces
(170 g)
3 carottes

Raisins aigres

1 lime, épluchée
2 tasses (473 ml) de raisin rouge

Dépannage

PROBLÈME

CAUSE PROBABLE/SOLUTION

La centrifugeuse ne fonctionne pas quand elle est en position ON (marche).

- Le mécanisme de verrouillage est peut-être mal engagé. Vérifier que le mécanisme de verrouillage soit bien engagé dans les deux creux des deux côtés du couvercle de la centrifugeuse. Consulter le page 16, étapes 3 et 4.
- Cet appareil est équipé d'un dispositif contre les surcharges. Si le moteur s'arrête pendant qu'il est en marche à cause d'une surchauffe, débrancher et laisser refroidir l'appareil pendant 15 minutes. Rebrancher l'appareil après 15 minutes et continuer l'opération.

Le moteur semble s'arrêter quand il extrait le jus.

- L'action centrifuge peut être trop vigoureuse. Essayer de ralentir l'extraction de jus en poussant plus lentement le poussoir d'aliments. Consulter la page 17, étape 3.
- De la pulpe mouillée peut s'accumuler sous le couvercle de la centrifugeuse ou sous le récipient à pulpe. Mettre la centrifugeuse en position arrêt (OFF/●) et débrancher. Vider le récipient à pulpe puis nettoyer le couvercle de jus et le panier-filtre.

Il se concentre trop de pulpe dans le panier-filtre.

- Mettre la centrifugeuse en position arrêt (OFF/●) et débrancher. Enlever le panier-filtre et nettoyer les parois du filtre avec une brosse fine. Cela enlèvera l'accumulation de fibres excédentaires qui peut empêcher la bonne circulation de jus. Consulter les pages 18 et 19.

La pulpe est trop mouillée et il n'y a pas assez de jus extrait.

- Essayer une action de centrifugation plus lente.
- Mettre la centrifugeuse en position arrêt (OFF/●) et débrancher. Enlever le panier-filtre et nettoyer les parois du filtre avec une brosse fine. Cela enlèvera l'accumulation de fibres excédentaires qui peut empêcher la bonne circulation de jus. Consulter les pages 18 et 19.

Le jus se vaporise en dehors du distributeur de jus.

- Essayer de ralentir l'extraction de jus en poussant plus lentement le poussoir d'aliments. Consulter la page 17, étape 3.

Le jus continue à couler du distributeur immédiatement après l'extraction.

- Le moteur en marche, soulever et abaisser le poussoir d'aliments plusieurs fois dans le mécanisme d'alimentation. Cette action pousse la pulpe et le jus restants en dehors du bol de centrifugeuse.

La centrifugeuse vibre trop.

- Accumulation de pulpe dans le panier-filtre. Mettre la centrifugeuse en position arrêt (OFF/●) et la débrancher de sa prise. Nettoyer le panier-filtre. Consulter la page 19. Après avoir nettoyé, si la centrifugeuse continue à vibrer, cela signifie que le panier-filtre est peut-être endommagé. Appeler notre numéro gratuit de service à la clientèle pour commander un nouveau panier-filtre.

Garantie limitée

Cette garantie s'applique aux produits achetés et utilisés aux É.-U. et au Canada. C'est la seule garantie expresse pour ce produit et est en lieu et place de tout autre garantie ou condition.

Ce produit est garanti contre tout défaut de matériaux et de main-d'oeuvre pour une période des cinq (5) ans à compter de la date d'achat d'origine au Canada et trois (3) ans à compter de la date d'achat d'origine aux É.-U. Au cours de cette période, votre seul recours est la réparation ou le remplacement de ce produit ou tout composant s'avérant défectueux, à notre gré, mais vous êtes responsable de tous les coûts liés à l'expédition du produit et le retour d'un produit ou d'un composant dans le cadre de cette garantie. Si le produit ou un composant n'est plus offert, nous le remplacerons par un produit similaire de valeur égale ou supérieure.

Cette garantie ne couvre pas le verre, les filtres, l'usure d'un usage normal, l'utilisation non conforme aux directives imprimées, ou des dommages au produit résultant d'un accident, modification, utilisation abusive ou incorrecte. Cette garantie s'applique seulement à l'acheteur original ou à la personne l'ayant reçu en cadeau. La présentation du reçu de vente d'origine comme preuve d'achat est nécessaire pour faire une réclamation au titre de cette garantie. Cette garantie s'annule si le produit est utilisé autrement que par une famille ou si l'appareil est soumis à toute tension ou forme d'onde différente des caractéristiques nominales précisées sur l'étiquette (par ex. : 120 V ~ 60 Hz).

Nous excluons toutes les réclamations au titre de cette garantie pour les dommages spéciaux, consécutifs et indirects causés par la violation de garantie expresse ou implicite. Toute responsabilité est limitée au prix d'achat. **Chaque garantie implicite, y compris toute garantie ou condition de qualité marchande ou d'adéquation à un usage particulier, est exonérée, sauf dans la mesure interdite par la loi, auquel cas la garantie ou condition est limitée à la durée de cette garantie écrite.** Cette garantie vous donne des droits légaux précis. Vous pouvez avoir d'autres droits qui varient selon l'endroit où vous habitez. Certaines provinces ne permettent pas les limitations sur les garanties implicites ou les dommages spéciaux ou indirects de telle sorte que les limitations ci-dessus ne s'appliquent peut-être pas à votre cas.

Ne pas retourner cet appareil au magasin lors d'une réclamation au titre de cette garantie. Téléphoner au 1.800.851.8900 aux É.-U. ou au 1.800.267.2826 au Canada ou visiter le site internet www.hamiltonbeach.com aux É.-U. ou www.hamiltonbeach.ca au Canada. Pour un service plus rapide, trouvez le numéro de modèle, le type d'appareil et les numéros de série sur votre appareil.

SALVAGUARDIAS IMPORTANTES

Cuando utilice artefactos eléctricos, siempre deben seguirse precauciones de seguridad básicas a fin de reducir el riesgo de incendio, descarga eléctrica, y/o lesiones a personas, incluyendo las siguientes:

1. Lea todas las instrucciones.
2. Este aparato no se destina para utilizarse por personas (incluyendo niños) cuyas capacidades físicas, sensoriales o mentales sean diferentes o estén reducidas, o carezcan de experiencia o conocimiento, a menos que dichas personas reciban una supervisión o capacitación para el funcionamiento del aparato por una persona responsable de su seguridad.
3. Este electrodoméstico no debe ser utilizado por niños. Mantenga el electrodoméstico y su cable fuera del alcance de los niños.
4. Se requiere de una estrecha supervisión cuando el aparato se use cerca de niños. Los niños deben supervisarse para asegurar que ellos no empleen los aparatos como juguete.
5. Para protegerse contra riesgos de choques eléctricos, no coloque el cable, el enchufe o la base del motor en agua u otro líquido.
6. Siempre APAGUE (OFF/○) el aparato y desenchúfelo del tomacorriente cuando no lo esté utilizando, antes de colocar o quitar piezas y de limpiarlo.
7. Evite el contacto con partes móviles.
8. Nunca meta el alimento en el ducto con la mano. Siempre use los empujadores de alimento.
9. Siempre asegúrese de que el extractor de jugo se encuentra ensamblado completa y adecuadamente antes de encender el motor. La unidad no se encenderá a menos que esté ensamblada como corresponde. No libere el brazo de bloqueo de seguridad mientras el extractor de jugo está en funcionamiento.
10. Asegúrese de volver el interruptor a la posición OFF (○/apagado) después de cada uso del extractor de jugo. Verifique que el motor se haya detenido por completo antes de comenzar a desensamblar.
11. No coloque los dedos u otros objetos dentro de la tolva de alimentación del extractor mientras está en funcionamiento. Si un trozo de alimento queda trabado en la apertura, utilice el empujador para destrabarlo. Cuando no pueda utilizar este método, APAGUE (OFF/○) el motor, desenchufe el cable del tomacorriente y desarme la juguera para retirar el alimento.
12. No use el artefacto para fines ajenos a los que está destinado.
13. "No opere ningún aparato con cables o enchufe dañados o después de que el aparato funcione mal o se caiga o dañe de cualquier manera. El reemplazo del cable de suministro y las reparaciones deben ser efectuadas por el fabricante, su agente de servicio, o personas igualmente calificadas para poder evitar un peligro. Llame al número de servicio al cliente proporcionado para información sobre examinación, reparación o ajuste."
14. El uso de accesorios no recomendados o vendidos por fabricante de electrodomésticos puede provocar incendios, choques eléctricos o lesiones.
15. No lo utilice al aire libre.
16. No permita que el cable cuelgue sobre el borde de la mesa o mesada, o que toque superficies calientes, como la cocina.
17. No deje la juguera sin atención mientras está en funcionamiento.
18. Las cuchillas son filosas; manéjelas con cuidado. No toque las cuchillas de corte pequeñas ubicadas en la base de la canasta coladora de acero inoxidable.
19. Mantenga el cabello, la ropa y las joyas, al igual que las espátulas y otros utensilios, lejos de la tolva de alimentación durante el funcionamiento para prevenir la posibilidad de graves lesiones y/o daños al artefacto.
20. No utilice el aparato si la canasta del colador giratorio o la cubierta del jugo están dañadas o tienen grietas visibles.
21. Siempre use el extractor de jugo sobre una superficie seca y plana.
22. No lo utilice sin el recipiente para pulpa en su lugar.
23. No coloque sobre o cerca de un quemador de gas o eléctrico caliente o en un horno caliente.

24. Verifique que el artefacto esté OFF (●/apagado) antes de enchufar el cable en el tomacorriente. Para desconectar, gire el control a OFF (●/apagado), luego quite el enchufe del tomacorriente. Para desconectarlo, agarre el enchufe y retire del tomacorrientes. Nunca tire el cable de alimentación.
25. Verifique que el voltaje de su instalación corresponda con el del producto.

26. **iPRECAUCIÓN!** A fin de evitar un riesgo debido a la reconfiguración inadvertida de la protección térmica, este artefacto no debe recibir suministro mediante un dispositivo de derivación externo, como un temporizador, o conectarse a un circuito que la empresa de servicio regularmente activa y desactiva.

GUARDE ESTAS INSTRUCCIONES

Información para Seguridad del Consumidor

Este aparato ha sido diseñado solamente para uso doméstico.

⚠ ADVERTENCIA Peligro de Descarga Eléctrica: Este aparato cuenta con un enchufe polarizado (una pata más ancha) que reduce el riesgo de una descarga eléctrica. El enchufe embona únicamente en una dirección dentro de un tomacorriente polarizado. No trate de obviar el propósito de seguridad del enchufe modificándolo de alguna manera o utilizando un adaptador. Si el enchufe no entra completamente en la toma, invierta el enchufe. Si aún no entra, haga que un electricista reemplace la toma.

El largo del cable que se usa en este aparato fue seleccionado para reducir el peligro de que alguien se enganche o tropiece con un cable más largo. Si es necesario usar un cable más largo, se podrá usar un cable de extensión aprobado. La clasificación eléctrica nominal del cable de extensión debe ser igual o mayor que la clasificación nominal del aparato. Es importante tener cuidado de colocar el cable de extensión para que no se pliegue sobre el mostrador o la mesera en donde niños puedan tirar del mismo o tropezarse accidentalmente.

La clasificación eléctrica de este aparato se encuentra en el panel inferior de la unidad.

La canasta coladora es un filtro delicado. Si se dobla o daña, no la use, ya que podría romperse en pedacitos y provocar lesiones personales y/o daños al artefacto. Llame a nuestro número gratuito de atención al cliente para solicitar una nueva canasta. Reemplace la canasta cuando dé señales de desgaste.

Esta máquina está equipada con una protección de sobrecarga del motor. Si el motor se detiene durante el funcionamiento debido al sobrecalentamiento, desenchufe la unidad y déjela enfriar durante 15 minutos. Vuelva a enchufar la máquina después de 15 minutos para reanudar el funcionamiento normal.

⚠ ADVERTENCIA Peligro de Corte o Aplastamiento.

Tolva de alimentación extra ancha. No coloque las manos o dedos dentro de la tolva de alimentación. Siempre utilice el empujador de alimentos.

No seguir estas instrucciones puede provocar graves lesiones personales.

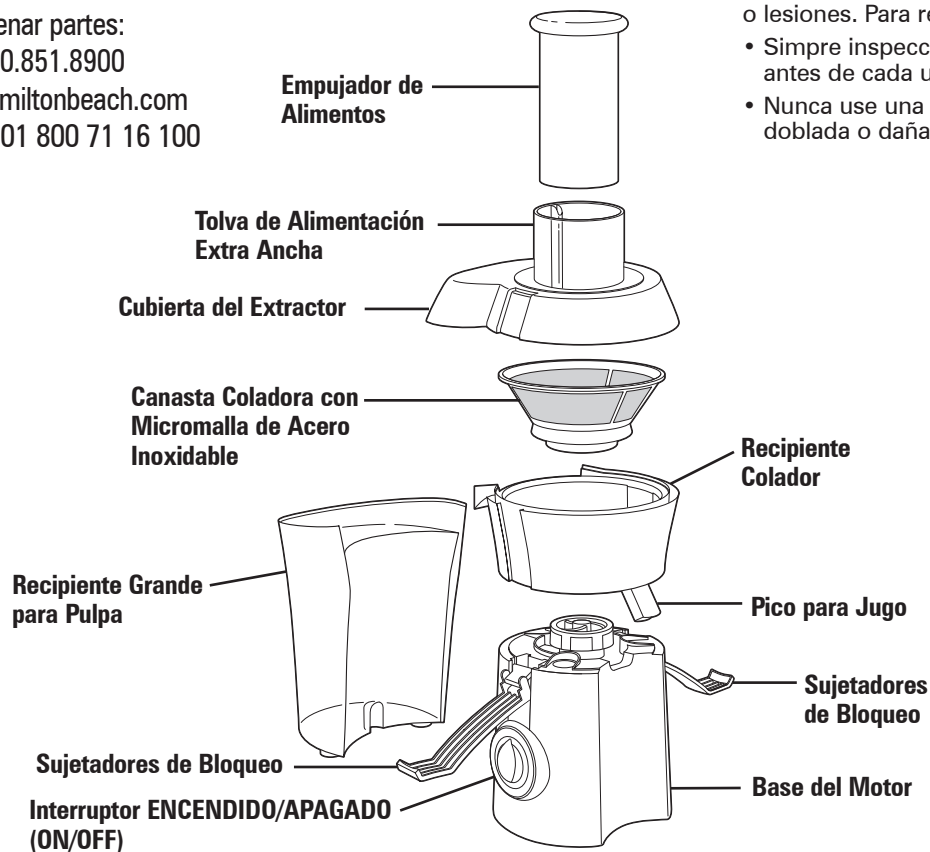
Partes y Características

Para ordenar partes:

US: 1.800.851.8900

www.hamiltonbeach.com

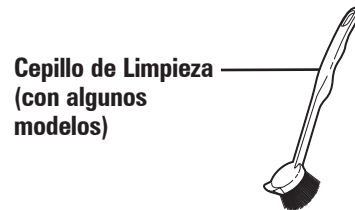
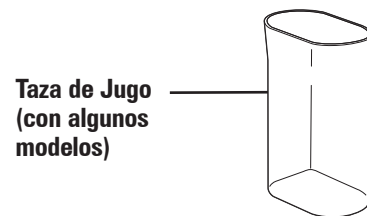
México: 01 800 71 16 100



⚠ ADVERTENCIA

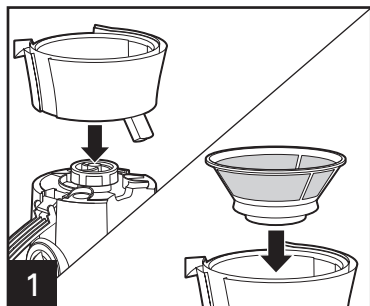
La canasta coladora de micro parrilla puede salir volando durante el uso si es dañada, resultando en un riesgo de cortes o lesiones. Para reducir el riesgo de lesiones personales:

- Siempre inspeccione la canasta coladora de micro parrilla antes de cada uso.
- Nunca use una canasta coladora de micro parrilla rajada, doblada o dañada.

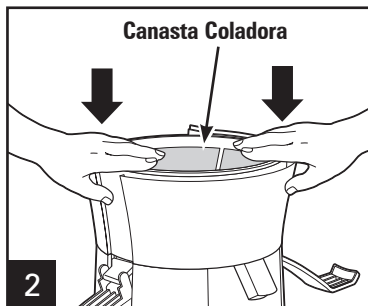


Cómo Ensamblar

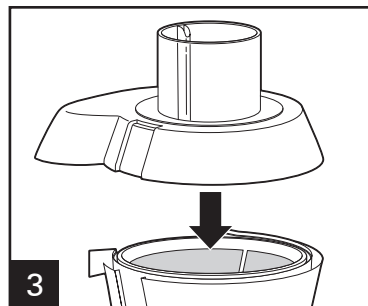
ANTES DEL PRIMER USO: Después de desempacar el extractor de jugo, quite el cartón de la canasta del filtro y lave todo con agua jabonosa tibia, excepto la base. Enjuague y seque de inmediato. Nunca sumerja la base en agua u otro líquido; límpiela con una esponja húmeda.



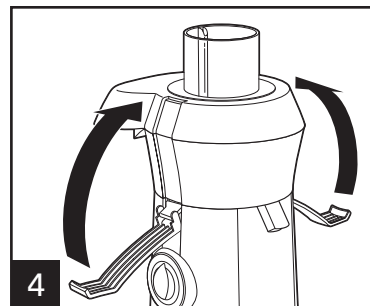
1 Coloque el recipiente colador sobre la base del motor. Coloque la canasta coladora de acero inoxidable dentro del recipiente colador.



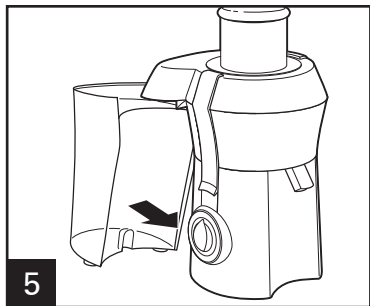
2 Con las manos sobre el lado exterior, presione la canasta coladora con firmeza hacia abajo para que se ajuste en su posición.



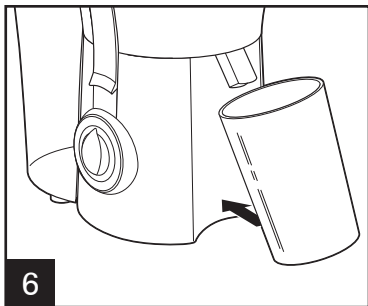
3 Coloque la cubierta del extractor sobre el recipiente colador, ubicando la tolva de alimentación sobre la canasta coladora y baje hasta su posición.



4 Eleve los sujetadores de bloqueo hasta que enganchen en su lugar.



5 Coloque el recipiente para pulpa en su lugar inclinándolo un poco.



6 Coloque un vaso u otro recipiente bajo el pico para jugo. Deslice el empujador de alimentos dentro de la tolva de alimentación alineando la ranura del empujador con el pequeño reborde ubicado dentro de la parte interna del tubo de alimentación.

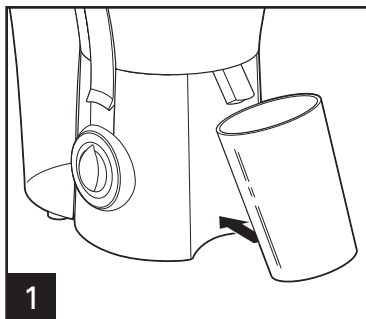


CONSEJO: Para minimizar la limpieza, coloque una bolsa de plástico en el recipiente para pulpa con el propósito de poder recogerla. (Ver página 27 para más información.)

Cómo Utilizar

Lave las frutas y vegetales.

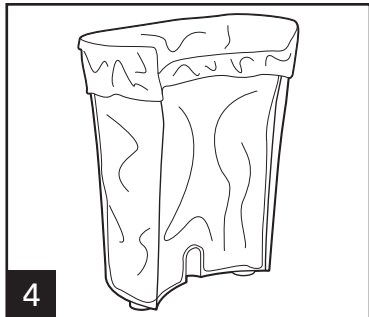
NOTA: La mayor parte de las frutas y vegetales, tales como manzanas, zanahorias y pepinos no necesitan cortarse ya que caben enteros dentro de la tolva de alimentación. Recomendamos pelar las frutas y vegetales como naranjas, melones o mangos antes de colocarlos en el extractor para minimizar el impacto sobre el sabor del jugo.



1 Verifique que el extractor de jugo se encuentre ensamblado correctamente (ver página 26) y coloque un vaso o recipiente debajo del pico.

Para minimizar la limpieza, coloque una bolsa de plástico dentro del recipiente para jugo con el propósito de recoger la pulpa. Cuando se finalice la extracción de jugo, simplemente retire la bolsa con la pulpa.

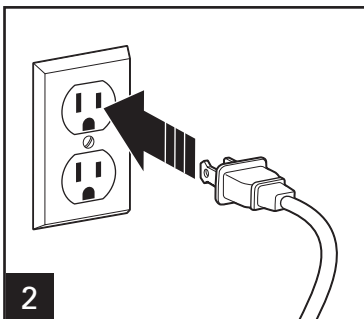
NOTA: No permita que el recipiente para pulpa se desborde, ya que esto puede provocar un mal funcionamiento o daños a la unidad.



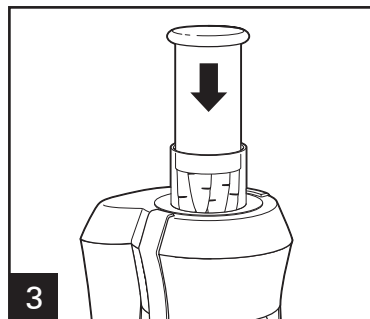
4

⚠ ADVERTENCIA Peligro de Laceración.

Nunca use los dedos para ingresar alimentos en la tolva para alimentos o para despejarla. Siempre use el empujador de alimentos incluido.



2 Enchufe el cable en un tomacorriente de 120 voltios. Gire el interruptor ENCENDIDO/APAGADO de alimentos para ENCIENDIDO (ON/OFF) a ENCENDIDO (ON).

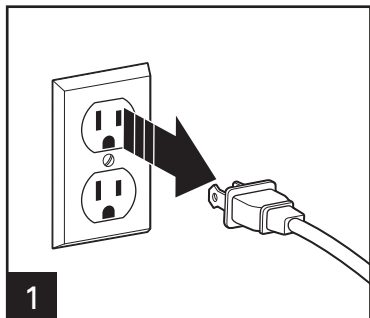


3 Con el motor encendido, coloque los alimentos dentro de la tolva de alimentación. Con cuidado use el empujador de alimentos para enviarlos hacia abajo por la tolva de alimentación. **Para extraer la mayor cantidad de jugo, siempre ejerza presión con el empujador de alimentos lentamente.**

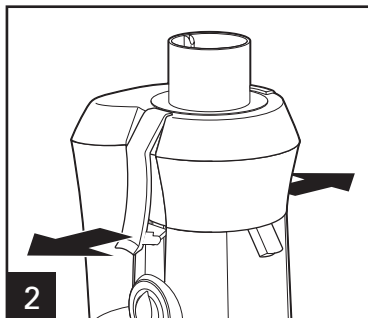
El jugo caerá dentro del vaso y la pulpa separada se acumulará en el recipiente para pulpa.

NOTA: El recipiente para pulpa puede vaciarse durante el funcionamiento APAGADO (OFF/O) el extractor de jugo y luego retirando el recipiente para pulpa. (Vuelva a colocar el recipiente para jugo antes de continuar con la extracción.)

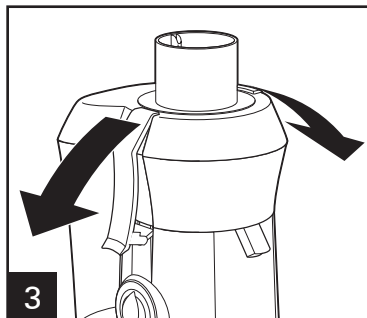
Cómo Desensamblar



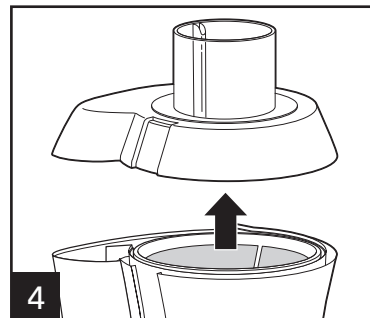
1 Coloque el interruptor en la posición APAGADO (OFF/○) y desenchufe la unidad. Permita que la canasta coladora deje de girar.



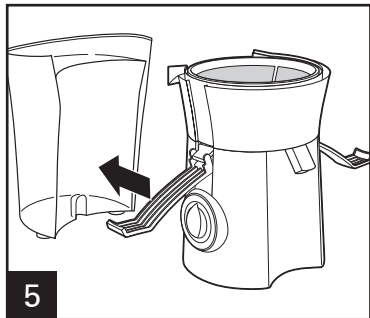
2 Libere los sujetadores de bloqueo.



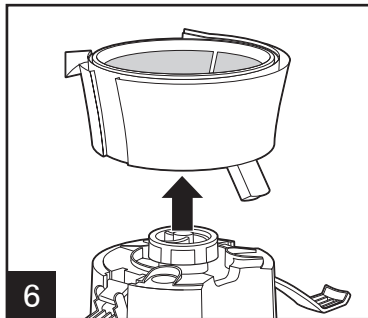
3 Mueva los sujetadores de bloqueo hacia abajo.



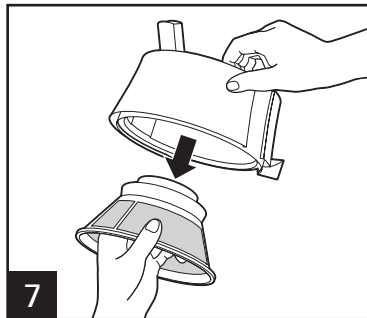
4 Quite la cubierta.



5 Retire el recipiente para pulpa deslizándolo en sentido contrario a la base del motor.



6 Levante el recipiente colador con la canasta coladora todavía en su lugar.

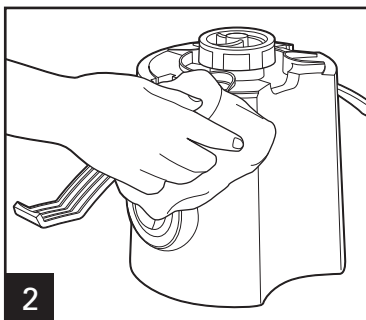
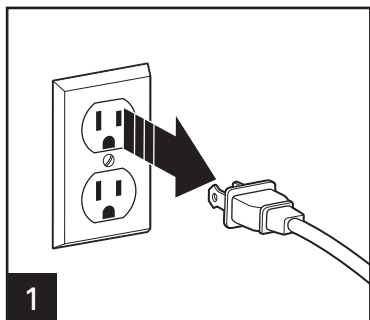


7 Para quitar la canasta coladora, gire el recipiente colador hacia abajo y con cuidado retire la canasta. (Es recomendable quitar la canasta coladora sobre un lavabo).

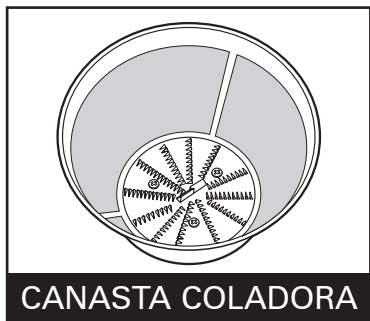
Cuidado y Limpieza

⚠️ ADVERTENCIA Peligro de Descarga.

No sumerja la base del motor en agua o en cualquier otro líquido.



No utilice la configuración "SANI" cuando la lave en el lavavajillas. Las temperaturas del ciclo "SANI" pueden dañar su producto. **No coloque** la base del motor en el lavavajillas. Las piezas pueden sufrir una deformación si la temperatura de su lavavajillas es mayor que la normal o si las piezas están colocadas muy cerca del elemento calentador.



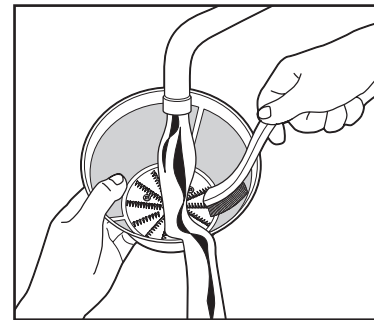
⚠️ PRECAUCIÓN Peligro de Laceración.

El centro de la canasta coladora contiene cuchillas pequeñas y filosas para procesar frutas y vegetales durante la función de extracción de jugo. No toque las cuchillas cuando manipule la canasta coladora.

El cepillo de limpieza incluido con la unidad es la manera más efectiva de limpiar la canasta coladora. Utilizando el cepillo, sostenga la canasta coladora bajo agua corriente y cepille dentro y fuera de la canasta. Siempre maneje la canasta coladora con cuidado, ya que puede dañarse con mucha facilidad.

Algunas frutas y vegetales pueden provocar una decoloración del plástico. Para que esto no suceda, lave todas las partes inmediatamente después del uso.

Para facilitar el lavado, sumerja la canasta coladora en agua jabonosa caliente durante aproximadamente 10 minutos después de acubar la extracción de jugo. Si la pulpa se seca en la canasta, ésta puede taponar los pequeños poros de la malla de filtro y así se verá disminuida la eficacia del extractor de jugo.



Consejos, Técnicas y Recettas

COMPRA Y ALMACENAMIENTO DE FRUTAS Y VEGETALES:

- Siempre lave las frutas y vegetales antes de extraer jugo.
- Siempre use frutas y vegetales frescos para extraer jugo.
- Para ahorrar dinero y obtener productos más frescos, compre frutas y vegetales que estén en temporada.
- Mantenga sus frutas y vegetales listos para la extracción lavándolos antes del almacenamiento.
- La mayoría de las frutas y los vegetales más duros pueden almacenarse a temperatura ambiente fresca. Los elementos más delicados y perecederos, como tomates, fresas, verduras de hoja, apio, pepinos y hierbas deben almacenarse en el refrigerador hasta que se necesiten.

PREPARACIÓN DE FRUTAS Y VEGETALES:

- Se recomienda que las frutas y vegetales como naranjas, melones o mangos se pelen antes de colocarlos en el extractor de jugo para minimizar el impacto en el sabor del jugo.
- Todas las frutas de carozo y semillas grandes como pelones, duraznos, damascos, ciruelas y cerezas **DEBEN** descarozarse antes de la extracción.

CONSEJO: Su extractor prepara jugo de naranja vigorizante y espumoso. Sólo pele las naranjas y haga jugo. Para mejores resultados, refrigere las naranjas antes.

Las siguientes recetas de bebidas rinde una ración sencilla de 6 a 10 onzas (170 a 300 ml). Si se enlista azúcar o miel, agréguelo después de hacer el jugo.

Revelador

2 zanahorias
1 manzana
1 mandarina, pelada

Zing Azul Invierno

2 manzanas
1/4 taza (59 ml) de arándanos
1 naranja, pelada

Fuego Líquido

1 tomate mediano
1/2 jalapeño
1 manojo de perejil
1/2 pepino

Mezcla del Huerto

2 manzanas
2 peras

CÓMO USAR LA PULPA:

- La pulpa sobrante de la extracción de frutas y vegetales está conformada mayormente por fibras y celulosa, las que, al igual que el jugo, contienen nutrientes necesarios para la dieta diaria y pueden utilizarse de diferentes maneras. Sin embargo, al igual que el jugo, la pulpa debe utilizarse ese mismo día para evitar la pérdida de vitaminas.
- Existe una serie de recetas que utilizan pulpa. También puede usarse para espesar guisos y sopas.
- La pulpa es muy buena para utilizar en el jardín como abono.

LECHE DE SOYA, LECHE DE ALMENDRAS Y LECHE DE ARROZ:

Su extractor de jugo puede utilizarse para preparar leche de soya, leche de almendras y leche de arroz. Debe ponerse en remojo una taza de soya, almendras o arroz con cuatro tazas de agua durante 24 a 48 horas en el refrigerador. Lentamente vierta una taza de la mezcla por vez en la tolva de alimentación. El líquido extraído de la mezcla remojada es la "leche".

NOTAS:

- Las almendras deben dejarse en remojo 24 a 48 horas antes de realizar la extracción.
- La leche de soya debe hervirse para mejorar el sabor.
- Puede agregarse vainilla, miel y azúcar para mejorar el sabor de cada tipo de leche.

Jugo del Viñedo

1 taza (237 ml) de uvas
1 pera

El Club de la Salud

Espinacas de 6 onzas (170 g)
3 zanahorias

Uvas Agrias

1 limón, pelada
2 tazas (473 ml) de uva roja

Resolviendo Problemas

PROBLEMA

La máquina no funciona cuando se presiona el interruptor de “Encendido”.

El motor parece ahogarse cuando se está extrayendo jugo.

Se acumula una cantidad excesiva de pulpa en la micromalla de la canasta coladora.

La pulpa está muy húmeda y se produce muy poco jugo.

El jugo salpica fuera del pico.

El jugo chorrea fuera del pico inmediatamente después de la extracción.

La máquina vibra de manera excesiva.

CAUSA PROBABLE/SOLUCION

- Los sujetadores de bloqueo pueden estar mal enganchados. Verifique que se encuentren bien colocados en las dos ranuras sobre ambos lados de la cubierta de la juguera. Ver página 26, pasos 3 y 4.
- Esta máquina está equipada con una protección de sobrecarga del motor. Si el motor se detiene durante el funcionamiento debido al sobrecalentamiento, desenchufe la unidad y déjela enfriar durante 15 minutos. Vuelva a enchufar la máquina después de 15 minutos para reanudar el funcionamiento normal.
- La extracción puede ser demasiado potente. Intente una extracción de jugo más lenta utilizando el empujador de alimentos más despacio. Ver página 27, paso 3.
- Puede acumularse pulpa húmeda bajo la cubierta de la juguera o el recipiente para pulpa. Apague (●) la unidad y desenchúfela. Vacíe el recipiente para pulpa, luego limpie la cubierta y la canasta coladora.
- Apague (●) la unidad y desenchúfela. Quite la canasta coladora y limpie las paredes de la malla con un cepillo fino. Esto quitará la acumulación de exceso de fibra que podría estar frenando el flujo de jugo. Ver páginas 28 y 29.
- Intente una extracción de jugo más lenta.
- Apague (●) la unidad y desenchúfela. Quite la canasta coladora y limpie las paredes de la malla con un cepillo fino. Esto quitará la acumulación de exceso de fibra que podría estar frenando el flujo de jugo. Ver páginas 28 y 29.
- Intente una extracción de jugo más lenta utilizando el empujador de alimentos más despacio. Ver página 27, paso 3.
- Con el motor ENCENDIDO, suba y baje el empujador de alimentos en la tolva de alimentos varias veces. Esta acción elimina la pulpa y el jugo restantes fuera del recipiente colador.
- Acumulación de pulpa en la malla de la canasta coladora. Apague (●) la unidad y desenchúfela. Limpie la canasta coladora. Ver página 29. Después de la limpieza, si la vibración continúa podría ser una señal de una canasta coladora dañada. Llame a nuestro número gratuito de atención al cliente para solicitar una nueva canasta coladora.

Notas

GARANTÍA PARA PRODUCTOS COMPRADOS EN MÉXICO

PRODUCTO:

MARCA:

MODELO:

Grupo HB PS, S.A. de C.V. cuenta con una Red de Centros de Servicio Autorizada, por favor consulte en la lista anexa el nombre y dirección de los establecimientos en la República Mexicana en donde usted podrá hacer efectiva la garantía, obtener partes, componentes, consumibles y accesorios; así como también obtener servicio para productos fuera de garantía. Para mayor información llame sin costo: **Centro de Atención al consumidor: 01 800 71 16 100**

Grupo HB PS, S.A. de C.V. le otorga a partir de la fecha de compra:
GARANTÍA DE 3 AÑOS.

COBERTURA

- Esta garantía ampara, todas las piezas y componentes del producto que resulten con defecto de fabricación incluyendo la mano de obra.
- Grupo HB PS, S.A. de C.V. se obliga a reemplazar, reparar o reponer, cualquier pieza o componente defectuoso; proporcionar la mano de obra necesaria para su diagnóstico y reparación, todo lo anterior sin costo adicional para el consumidor.
- Esta garantía incluye los gastos de transportación del producto que deriven de su cumplimiento dentro de su red de servicio.

LIMITACIONES

- Esta garantía no ampara el reemplazo de piezas deterioradas por uso o por desgaste normal, como son: cuchillas, vasos, jarras, filtros, etc.
- Grupo HB PS, S.A. de C.V. no se hace responsable por los accidentes producidos a consecuencia de una instalación eléctrica defectuosa, ausencia de toma de tierra, clavija o enchufe en mal estado, etc.

EXCEPCIONES

Esta garantía no será efectiva en los siguientes casos:

- a) Cuando el producto se hubiese utilizado en condiciones distintas a las normales. (Uso industrial, semi-industrial o comercial.)
- b) Cuando el producto no hubiese sido operado de acuerdo con el instructivo de uso.
- c) Cuando el producto hubiese sido alterado o reparado por personas no autorizadas por Grupo HB PS, S.A. de C.V. el fabricante nacional, importador o comercializador responsable respectivo.

El consumidor puede solicitar que se haga efectiva la garantía ante la propia casa comercial donde adquirió su producto, siempre y cuando Grupo HB PS, S.A. de C.V. no cuente con talleres de servicio.

PROCEDIMIENTO PARA HACER EFECTIVA LA GARANTÍA

- Para hacer efectiva la garantía, lleve su aparato al Centro de Servicio Autorizado más cercano a su domicilio (consulte la lista anexa).
- Si no existe Centro de Servicio Autorizado en su localidad llame a nuestro Centro de Atención al Consumidor para recibir instrucciones de como hacer efectiva su garantía.

FECHA DE ENTREGA	SELLO DEL VENDEDOR	QUEJAS Y SUGERENCIAS
DÍA ___ MES ___ AÑO ___		Si desea hacer comentarios o sugerencias con respecto a nuestro servicio o tiene alguna queja derivada de la atención recibida en alguno de nuestros Centros de Servicio Autorizados, por favor dirigirse a: GERENCIA INTERNACIONAL DE SERVICIO 01 800 71 16 100 Email: mexico.service@hamiltonbeach.com

CENTROS DE SERVICIO AUTORIZADOS**Ciudad de México****ELECTRODOMÉSTICOS**

Av. Plutarco Elías Calles No. 1499

Zacahuitzco, Benito Juárez, Ciudad de México, C.P. 09490

Tel: 01 55 5235 2323

CASA GARCÍA

Av. Patriotismo No. 875-B

Mixcoac, Benito Juárez, Ciudad de México, C.P. 03910

Tel: 01 55 5563 8723

Nuevo León**FERNANDO SEPÚLVEDA REFACCIONES**

Ruperto Martínez No. 238 Ote.

Centro MONTERREY, 64000 N.L.

Tel: 01 81 8343 6700

Jalisco**SERVICIOS DE MANTENIMIENTO CASTILLO**

Garibaldi No. 1450

Ladrón de Guevara

GUADALAJARA 44660 Jal.

Tel: 01 33 3825 3480

Notas

Modelos:
67600, 67601, 67602, 67608, 67650

Tipo:
CJ14

Características Eléctricas:
120 V~ 60 Hz 7.5 A or 800 W

Los modelos incluidos en el instructivo de Uso y Cuidado pueden ir seguidos o no por un sufijo correspondiente a una o varias letras del alfabeto y sus combinaciones, separadas o no por un espacio, coma, diagonal, o guión. Como ejemplos los sufijos pueden ser: "Y" y/o "MX" y/o "MXY" y/o "Z".