

**HYUNDAI**  
POWER PRODUCTS

# DIESEL WATER PUMP

DHY50E, DHYC50LE, DHY80LE, DHYT80E

Instruction Manual



GENUINE PRODUCT OF  
HYUNDAI CORPORATION



WARNING: Read the instructions carefully before use.

Iss.Oct/24



# INDEX

	<b>CONTENTS</b>	<b>PAGE NO.S</b>
1	SAFETY	3 - 8
2	PART LOCATIONS	9
3	ASSEMBLY	10 - 13
4	PRE OPERATION CHECKS	14 - 15
5	OPERATION	15 - 17
6	STARTING PROCEDURE	18 - 19
7	STOPPING PROCEDURE	19
8	DRAINING THE WATERPUMP	20
9	MAINTENANCE	21 - 23
10	TROUBLE SHOOTING	24
11	TRANSPORTATION & STORAGE	25 - 26
12	SPECIFICATION	26
13	PRODUCT DISPOSAL & RECYCLING	27
14	DECLARATION OF CONFORMITY	28
15	CONTACT / WARRANTY / MANUAL UPDATES	29

# 1. SAFETY

## 1.1 General Safety Notes.

- 1.2 The operator of the machine is responsible for, and has a duty of care in making sure that the machine is operated safely and in accordance with the instructions in this user manual. Keep the manual safe and pass it on if the machine is loaned or sold to another user.
- 1.3 Please note the following safety points.
- 1.4 The machine should never be left in a condition which would allow an untrained or unauthorised person/s to operate this machine.
- 1.5 All due care and diligence should be taken by the operator for the safety of and with regard to those around whilst using the machine.
- 1.6 Some or all of the following - warning signs, symbols and/or PPE pictograms may appear throughout this manual. You **MUST** adhere to their warnings. Failure to do so may result in personal injury to yourself or those around you.



## DANGER

Indicates a hazard, which, if not avoided, could result in serious injury or death.



## WARNING

Indicates a hazard, which, if not avoided, could result in serious injury.



## CAUTION

Indicates a hazard which, if not avoided, might result in minor or moderate injury.



## NOTE

Indicates a situation that could easily result in equipment damage.

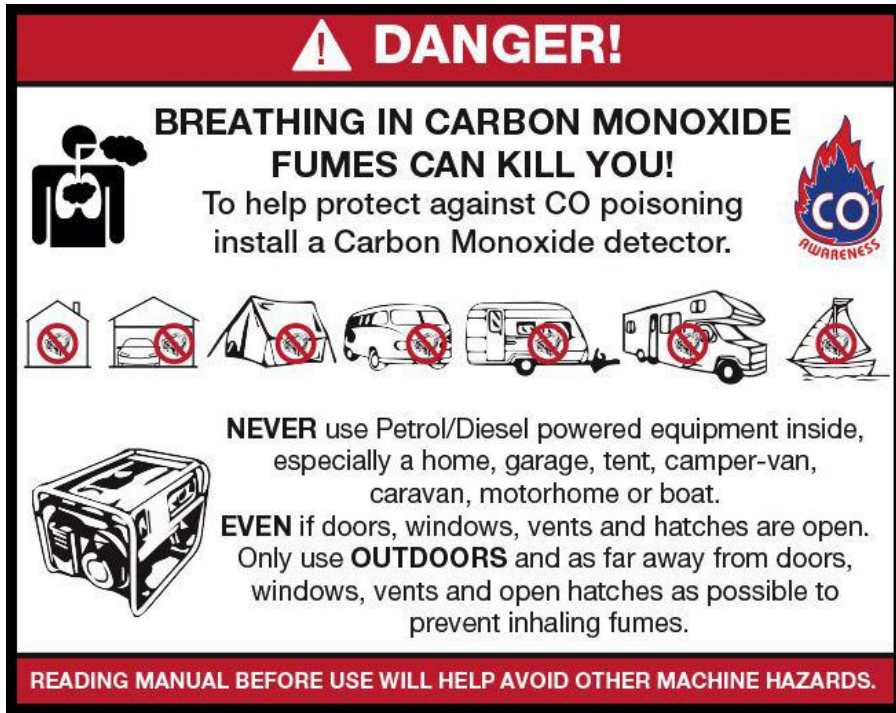
READ and keep the manual safe and pass it on if the machine is loaned or sold to another user.

You **MUST** fully understand all instructions to ensure you use and operate the machine safely.

Appropriate Personal Protective Equipment (PPE), **MUST** be worn at all times when operating or repairing the machine.



1.10 Carbon Monoxide (where applicable).



- 1.11 Carbon monoxide is a colourless and odourless gas. Inhaling this gas can cause death as well as serious long term health problems such as brain damage.
- 1.12 The symptoms of carbon monoxide poisoning can include but are not limited to the following;  
Headaches, dizziness, nausea, breathlessness, collapsing or loss of consciousness.
- 1.13 Carbon monoxide poisoning symptoms are similar to flue, food poisoning, viral infections and simply tiredness. It is quite common for people to mistake this very dangerous poisoning for something else.
- 1.14 To avoid carbon monoxide poisoning **DO NOT** use Petrol/Diesel powered equipment inside any of the following; Home, garage, tent, camper van, mobile home, caravan or boat. This is not exhaustive and if you are in any doubt contact your dealer.
- 1.15 If you think you have or someone around you has been affected by carbon monoxide poisoning;
- 1.16 Get them fresh air immediately, by leaving the affected area or by opening doors and windows. If safe and practical to do so make sure that the machine is turned off. **DO NOT** enter a room you suspect of having carbon monoxide present – instead call the emergency services.
- 1.17 Contact a Doctor immediately or go to Hospital – let them know that you suspect carbon monoxide poisoning.
- 1.18 **DO NOT** use in an enclosed area or moving vehicle.

1.20 **General Fuel Safety (where applicable).**



## **CAUTION**

### **ALL FUELS ARE FLAMABLE**

1.21 Fire Hazard – keep fuel away from all sources of ignition for example heaters. Lamps, sparks from grinding or welding.



1.22 **DO NOT** carry out hot work on tanks that have contained fuel.

1.23 **ALWAYS** keep the work area tidy.

1.24 **ALWAYS** clean up spills promptly using absorbent granules and a lidded bin.

1.25 **ALWAYS** dispose of waste fuels correctly.

1.30 **Fueling/De-fueling (where applicable).**



## **CAUTION**

### **ALL FUELS ARE FLAMABLE**

1.31 **ALWAYS** fuel and defuel in a well ventilated area outside of buildings.

1.32 **ALWAYS** wear correct, suitable and fit for purpose Personal Protective Equipment (PPE), suggested items are but not limited to safety gloves, overalls.



1.33 When fueling/de-fueling **ALWAYS** avoid inhaling fumes.

1.34 When de-fueling **ALWAYS** use a proper fuel retriever.



1.35 **ALWAYS** carry fuel in the correct and clearly marked container.

1.40 **Electrical Safety (where applicable).**

1.41 Electricity can kill – **NEVER** work on **LIVE/ENERGISED** equipment.


1.42 Prior to carrying out any maintenance work you **MUST** identify electrical isolation methods and isolate all electrical supplies.

1.43 Prior to use and with all electrical supplies isolated, you **MUST** check all electrical cables, plugs and connectors for the following;

1.44 Are intact and have no signs of damage, to include but not limited to bare wires, chaffing, cuts and loose wiring.

1.45 If there are any signs of damage, the damaged item **MUST** be taken out of service until the damage has been repaired by an electrically competent person.

1.46 All trailing cables should be routed so as not to cause any kind of trip hazard.

1.47  **NEVER** work on or near electricity with wet hands, wet clothing and wet gloves.

Risk of electric shock

### 1.50 Batteries (where present).

1.51 Batteries present a risk if they become damaged by the possible leaking of electrolyte. This electrolyte is an acid and can cause serious burn injuries. Care should be taken when working on or near them. **NOTE** the electrolyte may be in a liquid or gel form.

1.52 Should you come in to contact with electrolyte you should;

1.53 Remove all clothing contaminated with electrolyte. If you cannot remove then saturate them in water.

1.54 Get medical assistance as soon as possible. You must advise the medical staff of the type of acid.


1.55 Lead/acid battery = dilute sulphuric acid.

1.56 Nickel/cadmium = potassium hydroxide alkali electrolyte.

1.57 Use fresh running water to wash off excess electrolyte, continue this until medical assistance arrives. Make sure that you do not wash the electrolyte to another part of your body or face.

1.58 If electrolyte comes in to contact with Eyes the electrolyte needs to be immediately washed away with large amounts of water. Make sure that you do not wash the electrolyte to another part of your face or body.

1.59 Gasses from charging batteries are highly flammable and great care should be taken to charge in well ventilated areas.

1.59.1  There is an explosion risk if the battery terminals are short circuited, when connecting/disconnecting **ALWAYS** exercise great care so that the terminals or battery leads are **NOT** allowed to touch and cause a spark. **ALWAYS** use suitable insulated tools.

RISK OF EXPLOSION

### 1.60 Vibrations (where applicable).

1.61 Prolonged use of hand held (operated) machines will cause the user to feel the effects of/from vibrations. These vibrations can lead to white finger (Raynaud's phenomenon) or carpal tunnel syndrome. This condition reduces the ability of the hand to feel and regulate temperature, causing numbness and heat sensations and may cause never damage and circulatory tissue death.

1.62 Not all factors that lead to white finger disease are known, but cold weather, smoking and other diseases that affect blood vessels and blood circulation as well as large and long-lasting impact of shocks are considered factors in the formation of white finger. Note the following to reduce the risk of white finger and carpal tunnel syndrome;


1.63 Wear gloves and keep your hands warm.

1.64 Take regular breaks.

1.65 All of the above precautions may help reduce the risk of white finger disease but not rule out the carpal tunnel syndrome. Long-term and regular users are therefore

recommended to observe the condition of your hands and fingers. Seek medical attention immediately if any of the above symptoms should occur.

## 1.70 Noise (where applicable).

- 1.71 The operating noise of the machine can damage your hearing. Wear hearing protection such as earplugs or ear defenders to protect your hearing. Long-term and regular users are advised to have hearing checked regularly. Be especially vigilant and cautious when hearing ear protection because your ability to hear alarm warnings will be reduced.
- 1.72 Noise emissions for this equipment is unavoidable. Carry out noisy work at approved times and for certain periods. Limit the working time to a minimum. For your personal protection and protection of people working nearby it is also advisable for them to wear hearing protection.
- 1.73  See Certificate of Conformity section for Outdoor Noise declaration of conformity.

## MACHINE SPECIFIC SAFETY

### 1.80 General Machine Safety.

- 1.81 Read the owner's manual carefully to understand how to operate this machine properly.
- 1.82 You should **NEVER** use the machine when;
- 1.83 Wearing loose clothing, barefoot or sandals.
- 1.84 Under the influence of drink or drugs or as a result of having taken medication for cold or flu, or any other times when a possibility exists that your judgement might be impaired or that you might not be able to operate the machine properly and in a safe manner.
- 1.85 Suffering from exhaustion or lack of sleep.
- 1.86 When the ground is slippery or when other conditions exist which might make it not possible to maintain a steady posture.
- 1.87 At night, at times of heavy fog, or at any other times when your field of vision might be limited and it would be difficult to gain a clear view of the area.
- 1.88 During rain storms, lightning storms, at times of strong or gale force winds, or at any other times when the weather conditions might make it unsafe to use this product.
- 1.89 **NEVER** run the engine indoors. The exhaust gasses contain harmful carbon monoxide.
- 1.90 When using this machine for the first time and before actual work, you **MUST** learn how to handle the machine from an experienced or skilled person.
- 1.91 Limit the amount of time using the machine continuously to somewhere around 10 minutes per session and take 10 to 20 minutes of rest between sessions. Also try to keep the total amount of work in a single day limited to 2 hours or less.

- 1.92 **NEVER** allow children or anyone unable to fully understand the directions given in this manual to operate this product.
- 1.93 Make sure you keep this manual handy so you may refer to it whenever questions arise and ensure you pass this manual on if the machine is loaned or sold.
- 1.94 Correct Personal Protective Equipment (PPE) **MUST** be worn at all times when operating or repairing this machine. This should include but is not limited to;



HAND  
PROTECTION  
MUST BE WORN



EYE  
PROTECTION  
MUST BE WORN



PROTECTIVE  
CLOTHING  
MUST BE WORN



HEARING  
PROTECTION  
MUST BE WORN



FOOT  
PROTECTION  
MUST BE WORN



HEAD  
PROTECTION  
MUST BE WORN

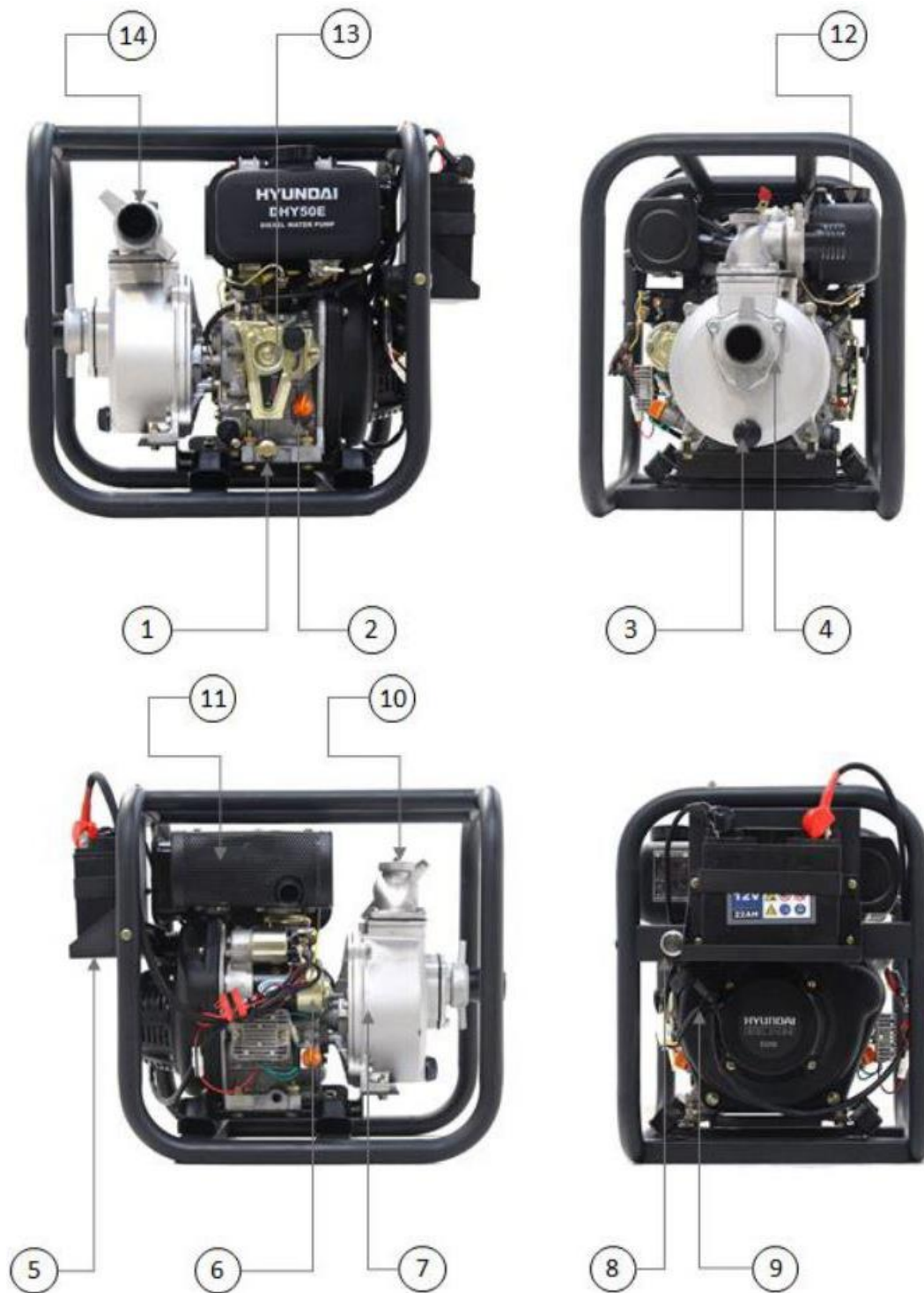


RESPIRATOR  
MUST BE WORN



FACE SHIELD  
MUST BE WORN

## 2. PART LOCATIONS



1	Oil Drain Plug	8	On/Off Key Switch
2	Oil Filler Cap / Dipstick	9	Recoil Starter
3	Pump Drain Plug	10	Pump Priming Cap
4	Pump Inlet	11	Exhaust
5	Battery	12	Fuel Tank
6	Starter Motor	13	Stop / Run
7	Pimp Housing	14	Pump Outlet

## 3. ASSEMBLY

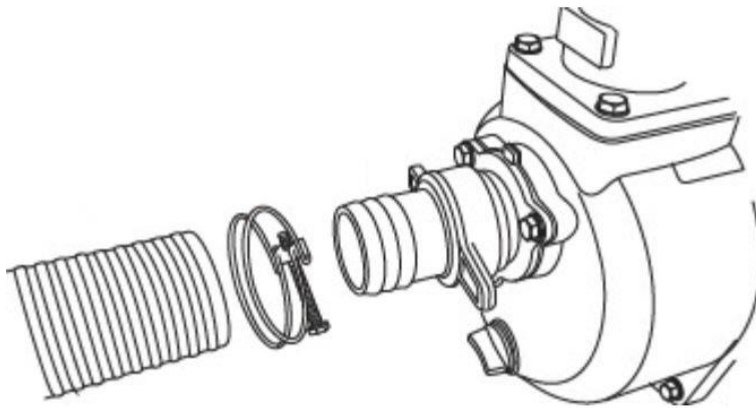


### NOTE

Hose connections are supplied as standard with this pump.  
Hoses are **NOT** supplied as standard with this pump.

#### 3.0 **Connecting the Suction Hose to the Pump**

- 3.1 Slide hose clamp over the end of hose.
- 3.2 Slide the suction hose onto the hose barb.
- 3.3 Tighten the hose clamp securely to the hose.

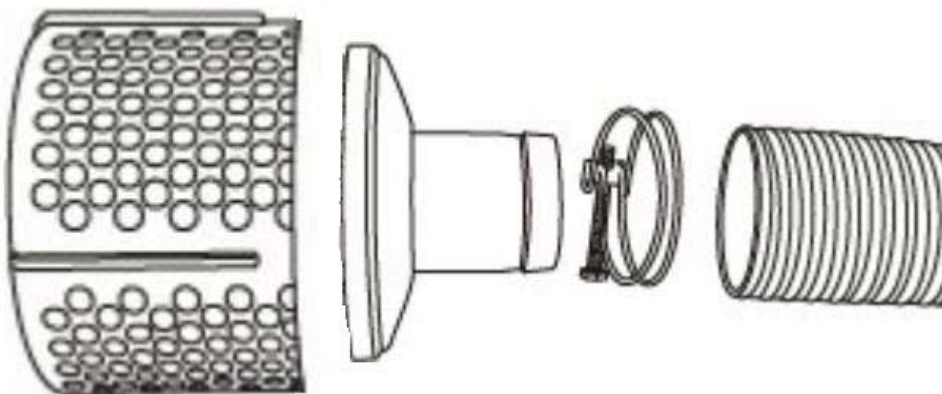


#### 3.4 **Connecting the Suction Hose to the Strainer Basket** Slide the hose clamp over the hose.

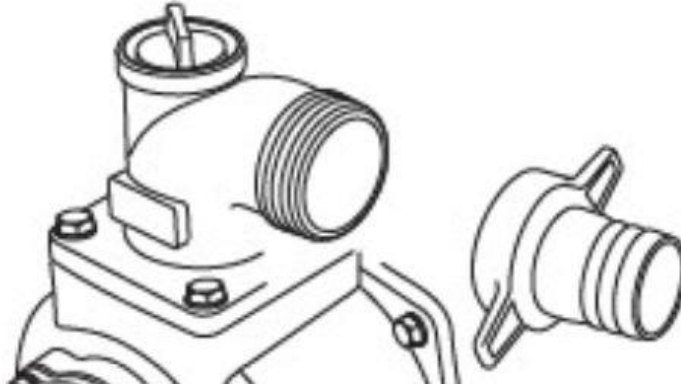
- 3.5 Click together the 2 parts of the strainer then attach the open end of the suction hose to the strainer.

- 3.6 Tighten the hose clamp securely.

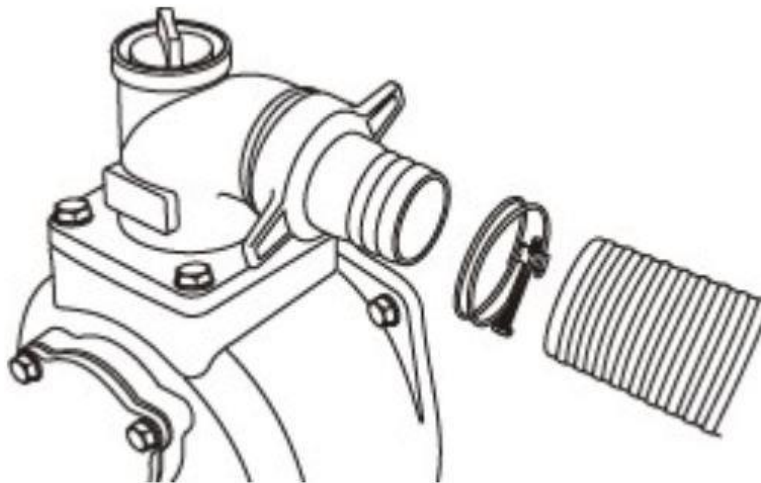
For the DHYT80E the 2 parts of the strainer screw together.



- 3.8 **Insert connect discharge hose (optional)**
- 3.9 If desired, use a commercially available hose.
- 3.10 **DO NOT** use a hose with an inside diameter smaller than the pumps discharge port.
- 3.11 Slide the cuff over the hose bar.
- 3.12 Insert a rubber seal into the end of the barb cuff.
- 3.13 Screw the hose barb assembly onto the pump in a clockwise direction until the hose barb is tightened securely.



- 3.14 Slide the hose clamp over the end of the discharge hose.
- 3.15 Slide the discharge hose onto the hose barb.
- 3.16 Tighten the hose clamp securely.



### 3. Assembly –Battery Tray

3.2 Ensure you have all the components for the battery tray assembly:

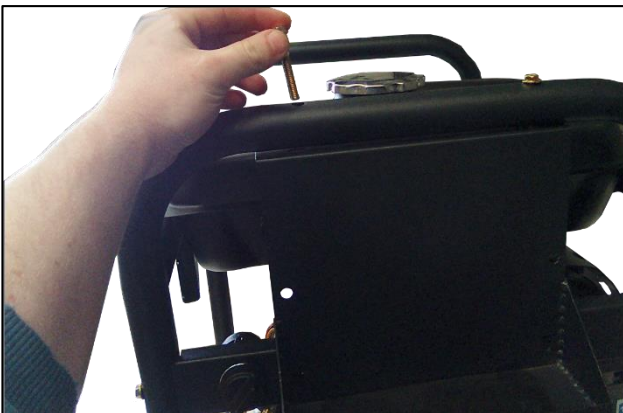
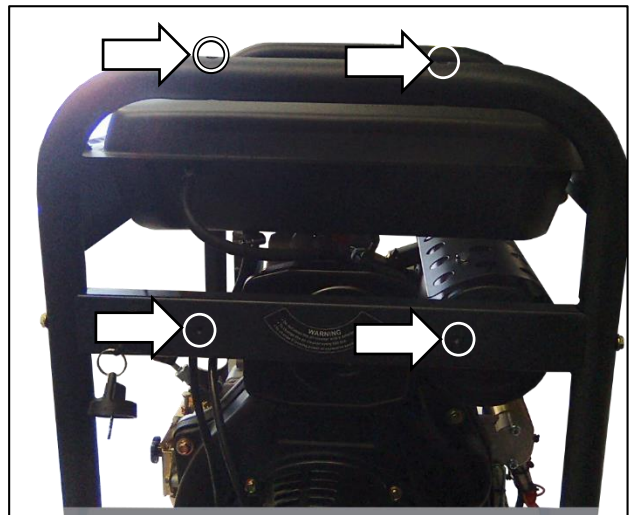
- 1 x Battery Tray
- 1 x Securing Bracket
- 4 x Short bolts
- 2 x Long Bolts
- 4 x Nuts

3.22 Locate the 4 holes used to secure the Battery tray.

3.23 Place the Battery below the upper holes.

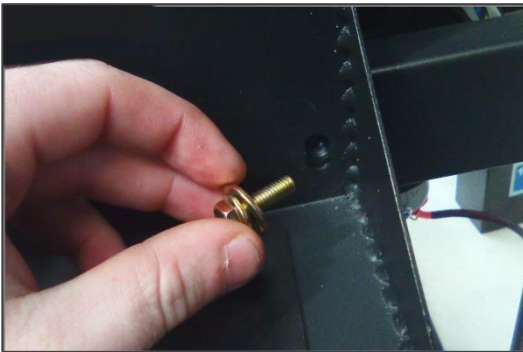
3.24 Insert the longer bolts through the upper holes through the bottom of the tray.

3.25 Secure into place with 2 nuts.



### 3. Assembly –Battery Tray

- 3.26 Secure bottom of the battery tray to the frame using 2 of the short bolts. The frame has inbuilt thread which the bolts are secured into.
- 3.27 The battery tray is now secured. Place the battery into the tray, with the positive terminal (red) on the right hand side.
- 3.28 Place the Securing bracket around the middle and use the remaining 2 short bolts and nuts to fix into place.
- 3.29 Connect the terminals of the battery to the relevant wires (Positive = Red/+, Negative = Black/-). Secure the Positive terminal first, followed by the Negative.



## 4. PRE OPERATION CHECKS



### NOTE

This machine is shipped without fuel and oil.  
It is essential that fuel and oil levels are checked and maintained before each operation.

**ALWAYS** check the fuel and oil level with the machine on flat level ground.

Fuel Type	Diesel
Oil Type	SAE30 Mineral Oil or SAE15W40 Mineral Oil



### CAUTION

#### FOR OUTDOOR USE ONLY

This machine produces carbon monoxide – a poisonous, colourless and odourless gas that can cause death or serious injury.



### CAUTION

#### ALL FUELS ARE FLAMMABLE

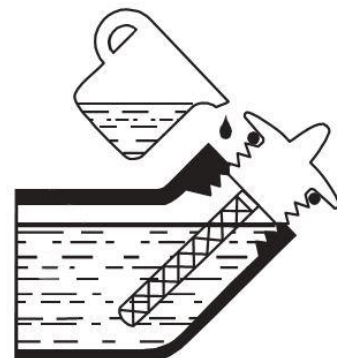
**ALWAYS** handle with extreme care and in a well-ventilated area.

Allow the engine to cool and remove the spark plug HT lead cap before refuelling or defueling.

## OIL

	DHY50E	DHYC50LE	DHY80E	DHYT80E
Oil Capacity (L)	0.6	0.6	1.1	1.1
Oil Type	SAE30 Mineral Oil or SAE15W40 Mineral Oil			

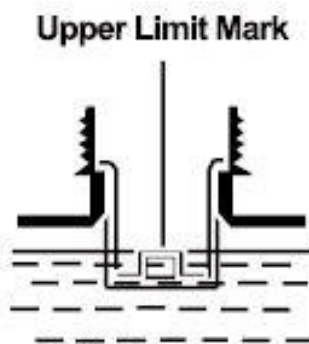
- 4.0 Place the machine on flat level ground.
- 4.1 Clean the area around the fuel filler cap to prevent any dirt or debris from entering the engine.
- 4.2 Remove the oil filler cap / dipstick.
- 4.3 For machines without a dipstick, the oil level is determined by filling to the upper thread level.  
For machines with a dipstick, the oil level is determined by the upper level limit mark on the dipstick.
- 4.4 Slowly fill with oil to the correct level.  
Stop occasionally to check the level.  
**DO NOT** overfill.
- 4.5 Once full, refit the oil filler cap/dipstick and tighten securely.



## FUEL

	DHY50E	DHYC50LE	DHY80E	DHYT80E
Fuel Capacity (L)	3.6	3.6	3.6	3.6
Fuel Type	Diesel or Red Diesel			

- 4.6 Place the machine on flat level ground.
- 4.7 Clean the area around the fuel filler cap to any prevent dirt or debris from entering the fuel system.
- 4.8 Unscrew the fuel filler cap and slowly fill with diesel.  
**YOU MUST** allow a 25mm gap between the fuel and the top of the fuel tank to allow for fuel expansion.
- 4.9 Refit the fuel filler cap securely.

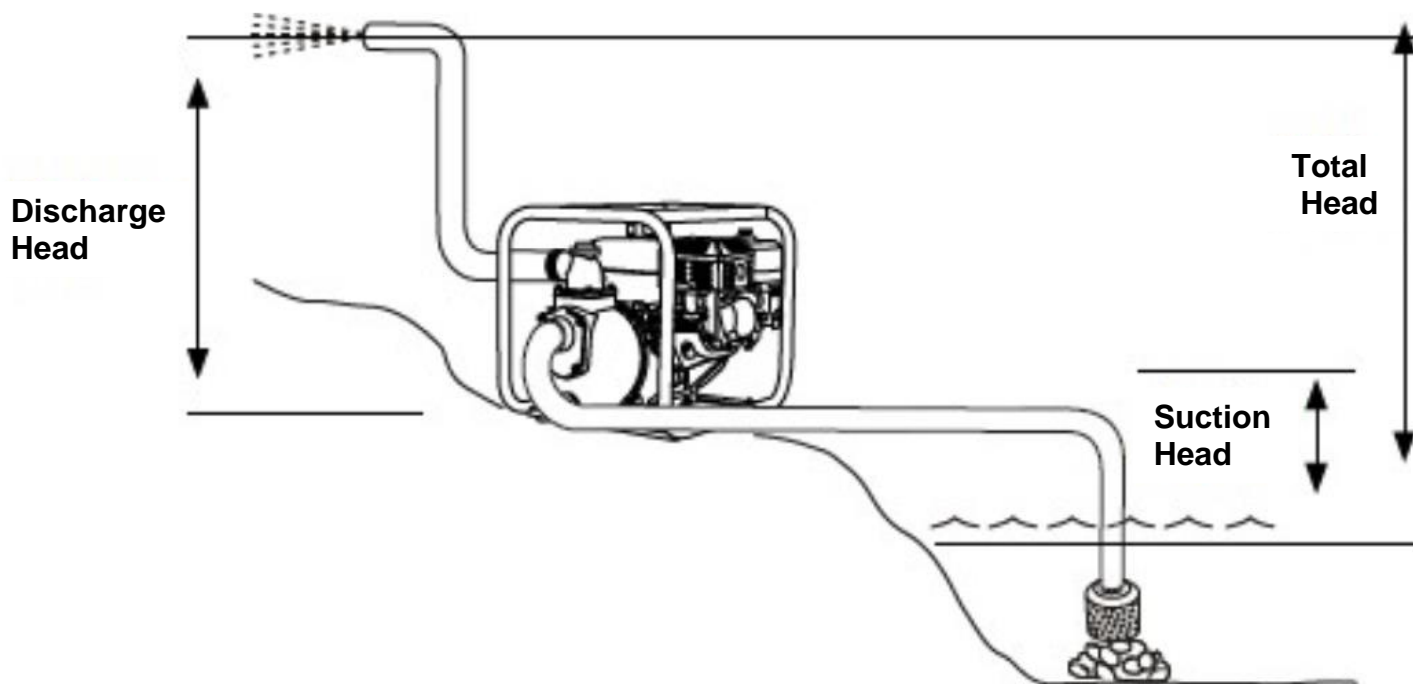


## 5. OPERATION

### What is head?

- 5.0 **Head** refers to the height of a column of water that can be delivered by the discharge of the pump.
- 5.1 **Suction Head** is the vertical distance between the centre of the pump and the surface of the liquid on the suction side of the pump. May also be referred to as 'suction lift'.
- 5.2 The atmospheric pressure of 14.7psi at sea level limits suction head lift to less than approximately 26 feet for any pump.
- 5.3 **Discharge Head** is the vertical distance between the pumps discharge port and the point of discharge, which is the liquid surface if the hose is submerged or pumping into the bottom of a tank.
- 5.4 **Total Head** is the sum of the suction head value plus the discharge head value.
- 5.5 As water pumping height increases, pump output decreases.  
The length, type and size of the suction and discharge hoses can also significantly affect pump output.
- 5.6 It is important for the suction operation to be the shorter part of the total pumping action.

- 5.7 This will decrease priming time and improve pump performance by increasing the discharge head.
- 5.8 Suction head is a maximum of 25 feet and discharge head should be a maximum of 81 feet.
- 5.9 Total head cannot be more than 106 feet.



### Pump Positioning

- 5.10 For best pump performance, locate the pump on a flat, level surface as close as possible (but avoiding soft edges) to the water to be pumped.
- 5.11 Secure the water pump to prevent it from tipping over.
- 5.12 Use hoses that are no longer than necessary.



### NOTE

Direct the open end of the discharge hose away from property, electrical supply sources and any other equipment that you do not want to get wet.

- 5.13 This water pump is not for use in mobile equipment or marine applications.
- 5.14 DO NOT top the engine or equipment at an angle that may cause the fuel to spill.
- 5.15 Secure the water pump, loads from hoses may cause the machine to tip over.

### Priming the Pump

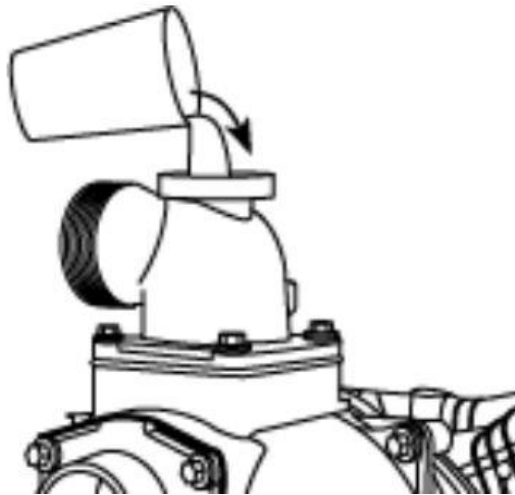


### NOTE

The improper treatment of the water pump can cause damage and shorten the pumps lifespan.

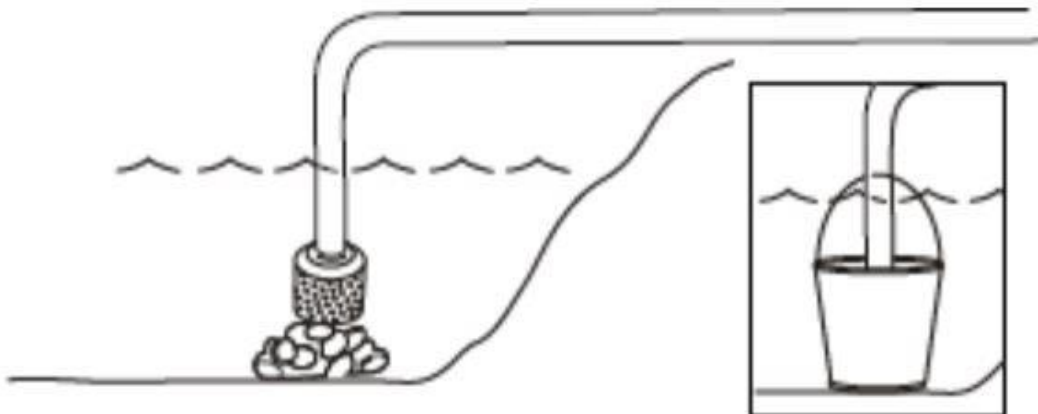
- 5.16 Be sure the priming chamber has been filled with water before starting **NEVER** run the pump without priming.

- 5.17 Remove the priming plug from the top of the pump.
- 5.18 Fill the pump with clean water up to the top of the discharge outlet.
- 5.19 Replace the priming plug.



### Locating the Strainer Basket into the Water Source

- 5.20 Place the strainer into the water to be pumped, the basket **MUST** be fully immersed in water.
- 5.21 **NEVER** operate the pump without the strainer connected to the end of the suction hose.
- 5.22 Keep the strainer out of sand or silt, place in a bucket or on top of stones.
- 5.23 **DO NOT** let the pump run dry as damage to the seals may result.



## 6. STARTING PROCEDURE



### NOTE

This machine is shipped without fuel and oil. It is essential that fuel and oil levels are checked and maintained before each operation.

**ALWAYS** check the fuel and oil level with the machine on flat level ground.



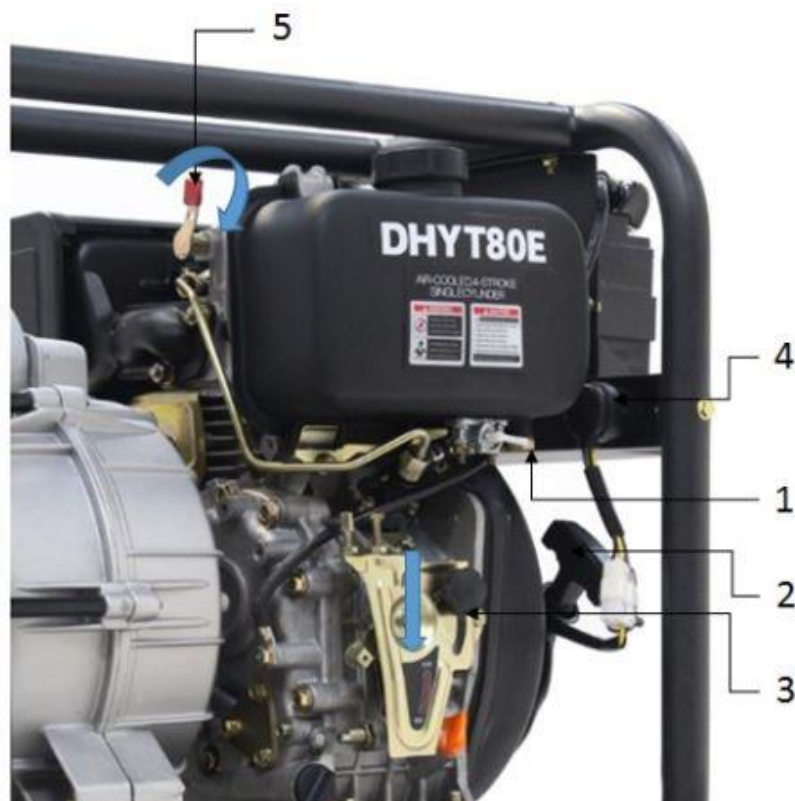
### CAUTION

#### FOR OUTDOOR USE ONLY

This machine produces carbon monoxide – a poisonous, colourless and odourless gas that can cause death or serious injury.

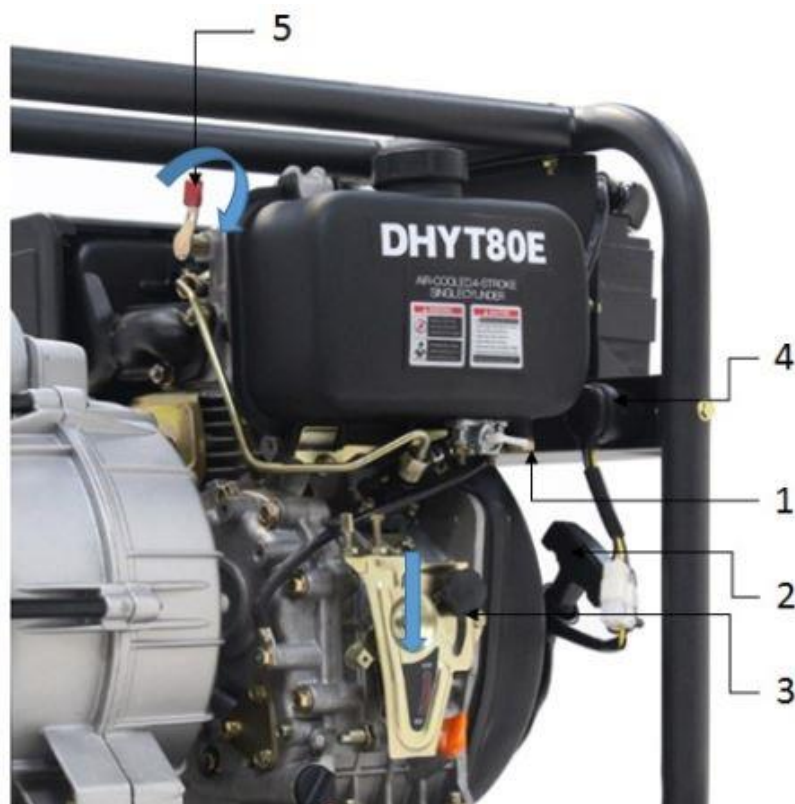
## ELECTRIC START

- 5.24 Make sure the water pump is on a flat stable surface.
- 5.25 Make sure the water pump has been filled with both fuel and oil to the correct levels.
- 5.26 Turn the fuel tap (1) to the 'ON' position.
- 5.27 Unscrew the STOP/RUN lever (3) and move it to the RUN position, then lock it in position by tightening the screw.
- 5.28 Turn the key switch (4) in a clockwise direction against the spring tension.
- 5.29 Once the engine has started, release the key.
- 5.30 Adjust the water pump speed to the desired working speed by moving the STOP/RUN lever to suit the load.



## RECOIL START

- 5.31 Make sure the water pump is on a flat stable surface.
- 5.32 Make sure the water pump has been filled with both fuel and oil to the correct levels.
- 5.33 Turn the fuel tap (1) to the 'ON' position.
- 5.34 Unscrew the STOP/RUN lever (3) and move it to the RUN position, then lock it in position by tightening the screw.
- 5.35 Slowly pull the recoil start handle (2) until you feel resistance, then move the decompression lever (5) to the down position.
- 5.36 Pull the recoil handle swiftly until the machine starts.  
**DO NOT** let the recoil handle snap back but return it to the start position slowly.
- 5.37 Adjust the water pump speed to the desired working speed by moving the STOP/RUN lever to suit the load.

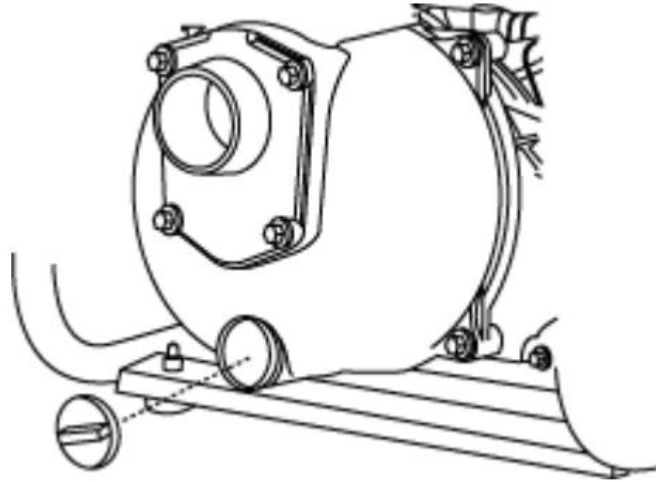


## 7. STOPPING PROCEDURE

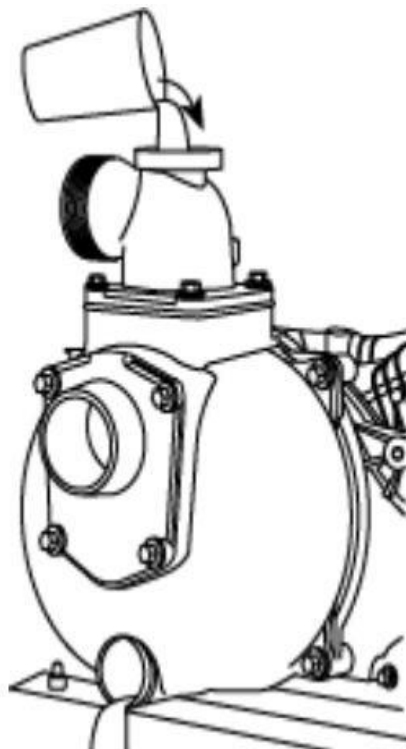
- 5.38 Move the STOP/RUN lever (3) to the STOP position.
- 5.39 Turn the key switch (4) anti-clockwise to the OFF position.
- 5.40 Turn the fuel valve (1) to the OFF position.

## 8. DRAINING & FLUSHING THE WATER PUMP

- 8.0 Disconnect and drain the suction and discharge hoses.
- 8.1 Remove the drain plug from the bottom of the pump.
- 8.2 To protect the unit from damage caused by freezing temperatures, ensure the unit has been fully drained of water.



- 8.3 Remove the primer plug from the top of the pump and flush the internal components of the water pump with clean water.



- 8.4 Replace both plugs and finger tighten.

## 9. MAINTENANCE



### NOTE

Service and maintenance must be performed by an authorised agent. **DO NOT** tamper with, or attempt to adjust the pressure switch or safety valve. Before moving, carrying or carrying out any maintenance on the machine, ensure the ignition switch is in the OFF position and the spark plug HT lead cap has been removed.

9.0 **For all engine maintenance, please refer to the engine manual handbook supplied.**

		Each Use	1 <sup>st</sup> Month or 20 Hours	Every 50 Hours	Every 6 Months or 100 Hours	Every Year or 300 Hours
Engine Oil	Check	●				
	Replace		●		●	
Air Filter	Check	●				
	Replace			●		
Fuel Filter	Clean					
	Replace					●
Spark Arrestor	Clean				●	
Fuel Lines	Check	●				
Fuel Tank	Check				●	
Idle Speed	Check					# ●
	Adjust					# ●
Valve Clearance	Check					# ●
	Adjust					# ●

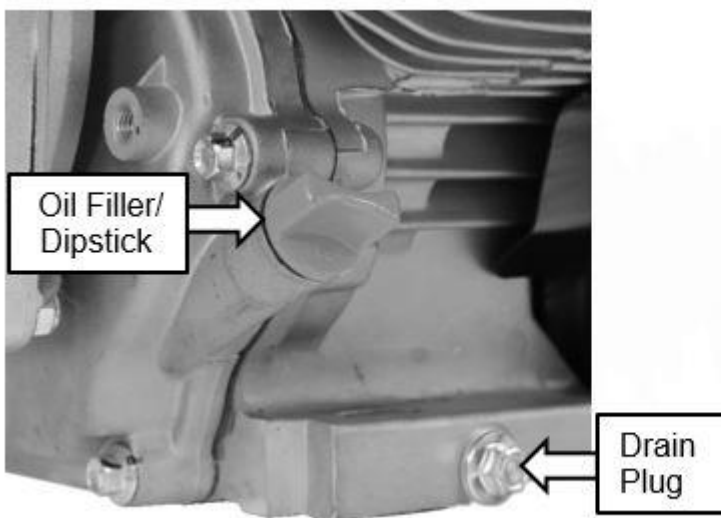


## CAUTION

Risk of burn from hot engine oil.  
 Allow the oil to cool to **WARM** before changing.  
 Warm engine oil will drain more effectively.

	DHY50E	DHYC50LE	DHY80E	DHYT80E
Oil Capacity (L)	0.6	0.6	1.1	1.1
Oil Type	SAE30 Mineral Oil or SAE15W40 Mineral Oil			

- 9.0 Drain the engine oil while the engine is warm. Warm oil drains more effectively.
- 9.1 Clean the area around the oil filler/dipstick and do not allow any dirt or debris to enter the engine.
- 9.2 Remove the oil filler/dipstick and place a suitable container underneath the oil drain plug.
- 9.3 Unscrew the oil drain plug and allow the oil to drain.
- 9.4 Once the oil has drained, check the drain plug for damage and replace if necessary.
- 9.5 Reinstall the drain plug by hand to avoid cross threading and then tighten securely.
- 9.6 With the machine on flat level ground, slowly fill the engine with fresh engine oil. Stop occasionally to check the level.
- 9.7 For machines fitted with a dipstick, fill to the upper level mark on the dipstick. For machines without a dipstick, fill to the upper thread level on the oil fill hole.
- 9.8 Refit the oil filler cap/dipstick securely.
- 9.9 Wipe up any spilt oil.



## AIR FILTER



### NOTE

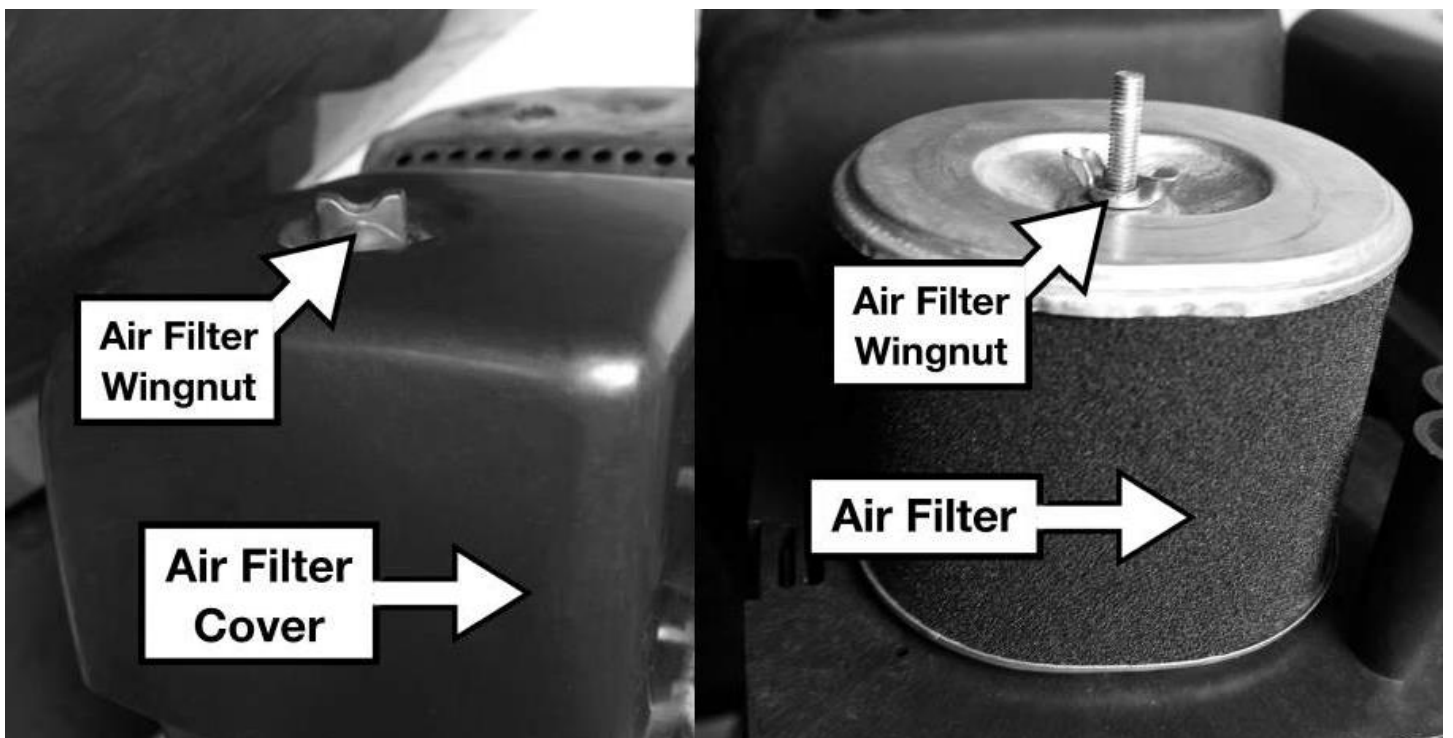
NEVER run the machine without an air filter being installed. A dirty air filter element affects the engine performance, increases fuel consumption and will make it difficult to start.

If you notice a loss in power, check the air filter.

You must ensure the air filter housing is free of dust and debris. **DO NOT** allow any dirt or debris to enter the carburettor.

For the DHYC50LE you will need to remove the battery tray to access the air filter.

- 9.10 Remove the air filter cover by unscrewing the air filter cover wing nut and remove the cover.
- 9.11 Undo the air filter element wing nut and remove the air filter element.
- 9.12 Ensure that no dirt and debris can enter the carburettor chamber.
- 9.13 Remove the foam filter element (if installed) from the paper element.
- 9.14 Inspect the air filter and if it shows any signs of damage or wear, replace immediately.
- 9.15 Tap the paper element to remove dirt or debris and use a low pressure airline to blow from the inside of the element to remove the remaining dust.
- 9.16 If installed, wash the foam element in a warm soap solution and allow to air dry. **DO NOT** twist the element.
- 9.17 Once dry, soak the foam element in fresh engine oil and remove any excess.
- 9.18 Reinstall the foam element over the paper element and reinstall back on to the machine.



## 10. TROUBLESHOOTING

Problem	Possible Cause	Possible Solution
Engine lacks power	Dirty air filter	Replace air filter
Engine will not start	STOP/RUN lever in STOP position	Move lever to RUN position
	No fuel in the engine	Fill fuel tank or turn of fuel supply
	Battery discharged	Charge or replace battery
	Faulty starter solenoid/motor	Check and replace as required
Engine runs well at no load but 'bogs' down under full load	Engine speed is too slow	Adjust STOP/RUN lever to suit load
Engine will not start; or starts and runs rough	Low oil level	Fill crankcase to proper level
	Dirty air cleaner	Clean or replace air cleaner
	Out of diesel	Fill fuel tank
	Water in diesel	Drain diesel tank, fill with fresh fuel
	STOP/RUN lever incorrectly set	Move STOP/RUN lever
Engine shuts down during operation	Out of diesel	Fill fuel tank
	Low oil level	Fill crankcase with oil to proper level
Engine lacks power	Dirty air filter	Replace air filter
Engine falters	STOP/RUN lever incorrectly set	Move STOP/RUN lever until engine runs smoothly

## 11. TRANSPORTATION & STORAGE



### CAUTION

**ALWAYS** allow the engine to cool completely before storage or transportation.

### TRANSPORTATION

- 11.0 Drain the fuel tank using a siphon or similar fuel retrieval device.
- 11.1 Store the fuel in a suitable container for transport.
- 11.2 Allow the engine to cool completely.
- 11.3 Ensure the fuel tap and engine switch are in the off position.
- 11.4 Secure the machine upright in the vehicle so it cannot move during transportation.
- 11.5 Fuel and its vapours are highly flammable, ensure the machine is transported away from sources of possible ignition.

### STORAGE



### NOTE

If the machine is to be stored for periods of 30 days or more then it is essential to prepare the machine for storage correctly. Failure to do so could result in issues making the machine difficult to start or cause poor running.

- 11.6 Drain the fuel tank using a siphon or similar fuel retrieval device, into a suitable container.
- 11.7 Run the engine under no load until the machine stops to remove any remaining fuel from the carburettor and fuel lines.
- 11.8 Allow the engine to cool completely.
- 11.9 Drain and replace the engine oil following the procedure laid out in this user manual.
- 11.10 Clean the area around the spark plug and remove the spark plug following the procedure laid out in this user manual.
- 11.11 Pour a teaspoon of fresh engine oil down the spark plug hole into the cylinder bore.
- 11.12 Gently pull the recoil start handle 4 to 5 times to coat the cylinder wall with a layer of fresh engine oil.
- 11.13 Refit the spark plug but leave the spark plug HT lead cap removed.
- 11.14 Clean the machine using a brush to remove large pieces of debris and a moist cloth for other areas.  
**DO NOT** use a pressure washer or hose pipe to clean the machine. Water could penetrate the engine causing serious damage.

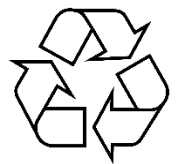
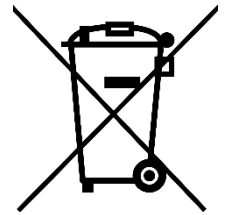
- 11.15 **DO NOT** use solvent based cleaning products as these could damage plastic components.
- 11.16 Check the tightness of all nuts, bolts and screws.
- 11.17 Use a silicone based grease to lubricate any moving parts.
- 11.18 Store upright in a cool dry place away from extremes of temperature change and away from any possible sources of ignition.
- 11.19 **DO NOT** store other items on top of the machine.

## 12. SPECIFICATION

Model	DHY50E	DHYC50LE	DHY80E	DHYT80E
Engine	Hyundai D200 4 Stroke Single Cylinder		Hyundai D300 4 Stroke Single Cylinder	
Displacement (cc)	221	221	296	296
Fuel Tank Capacity (L)	3.6	3.6	3.6	3.6
Net Installed Power @ 3600rpm (hp/kw)	3.8/2.8	3.8/2.8	5.5/4.00	5.5/4.00
Engine Oil Capacity	0.6	0.6	1.1	1.1
Pump	Aluminium housing with a cast iron impeller			
Total Head (m)	30	30	25	25
Suction Lift (m)	8	8	6	6
Max Flow (l/hr)	36,000	36,000	60,000	60,000
Weight (kg)	54	51	61	69
Dimensions (LxWxH)	570 x 470 x 670	540 x 450 x 540	590 x 490 x 590	590 x 490 x 590
Noise Level (db)	105	105	109	109

## 13. PRODUCT DISPOSAL & RECYCLING

- 13.0 We do not offer a take back scheme for the recovery or Waste Electrical Electronic Equipment (WEEE) & Batteries.  
Instead the responsibility to dispose of WEEE and or batteries is passed onto you by us.  
So when it becomes necessary to dispose of your machine you must take it to your Local Civic Amenity Site.  
For further information please contact your Local Authority for disposal advice.
- 13.1 You MUST make sure that all unused oil and fuel is disposed of correctly either beforehand or at your Local Civic Amenity Site.  
Under NO circumstances must any fuel or oil be put down any drains.
- 13.2 Certain products contain WEEE waste which should not be disposed of in your domestic waste.
- 13.3 You MUST recycle WEEE in accordance with your local authority or recycling centre.
- 13.4 Certain products contain batteries which should not be disposed of in your domestic waste.
- 13.5 You MUST recycle batteries in accordance with your local authority or recycling centre.
- 13.6 Unwanted packaging and materials should be stored and taken to a recycling centre so it can be disposed of in a manner which is compatible with the environment.
- 13.7 The following symbol means you should 'Reduce – Reuse - Recycle'.
- 13.8 We are a member of the VALPAK National Compliance Scheme and our registration number is RM08660.
- 13.9 For further information about disposal please contact your Local Authority.
- 13.10 You can also get more advice and guidance about recycling at the following website <http://recycle-more.co.uk>
- 13.11 Should you pass this product on to another user either sold or loaned, you MUST pass on this user manual.  
This will make sure that all other users can use and maintain this machine safely.



## 14. DECLARATION OF CONFORMITY

- 14.0 Genpower Ltd confirms that this Hyundai product conforms to the following CE Directives;  
2006/42/EC Machinery Directive  
2004/108/EC EMC Machinery Directive  
2000/14/EC Amended by 2005/88/EC Noise Emissions Directive  
97/68/EC 2010/26/EC NRMM Emissions Directive

### EC DECLARATION OF CONFORMITY

The undersigned. As authorised by: **Genpower Ltd**  
Declares that the following equipment manufactured under licence by Hyundai Korea  
Conforms to the Directive:-  
**2000/14/EC (as amended)**

Of the European Parliament and of the council on the approximation of the laws of the Member States relating to the noise emission in the environment by equipment for the use outdoors.

Equipment Category: **Water Pump**

Product Name/Model: **DHY50E / DHYC50LE  
DHY80E / DHYT80E**

Type/Serial No: **Diesel Powered Water Pumps**

Net installed power: **DHY50E / DHYC50LE : 221cc  
DHY80E / DHYT80E : 296cc**

The technical documentation is kept by: **Roland Llewelin, Genpower Ltd  
Isaac Way, Pembroke Dock,  
Pembrokeshire, SA72 4RW.**

The conformity assessment procedure followed was in accordance with annex V of the Directive.

Notified Body: **Ministerio De Industria Comercio  
160 Paseo de la Castellana, C.P. 28046  
Madrid, Espana  
Certification n° e9\*2016/1628\*2016/1628EC1/D\*1210\*00**

Measured Sound Power Level: **DHY50E / DHYC50LE : 105dB  
DHY80E / DHYT80E : 109dB**

Guaranteed Sound Power Level: **DHY50E / DHYC50LE : 105dB  
DHY80E / DHYT80E : 109dB**

A copy of this certificate has been submitted to the European Commission and the EU Member State United Kingdom.

Place of Declaration: **Pembroke Dock, SA73 4RW**

Date: **01/10/2024**

Signed by: **Roland Llewelin**



Position in Company: **Managing Director**

Name and address of manufacturer or Authorised representative:

**Genpower Ltd  
Isaac Way, Pembroke Dock,  
Pembrokeshire, SA72 4RW**



## 15. CONTACT DETAILS

15.0	CONTACT DETAILS	Genpower Ltd, Isaac Way, London Road, Pembroke Dock, Pembrokeshire. SA72 4RW. UK
15.1	FAX	+44 (0) 1646 686198
15.2	SUPPORT	<a href="mailto:aftersales@genpower.co.uk">aftersales@genpower.co.uk</a>
15.3	WEBSITE	<a href="http://www.hyundaipowerequipment.co.uk">www.hyundaipowerequipment.co.uk</a>

## 16. WARRANTY

- 16.0 To register your product for the manufacturer's warranty, please visit;  
[www.hyundapowerequipment.co.uk/warranty](http://www.hyundapowerequipment.co.uk/warranty)
- 16.1 For full warranty terms and conditions, please visit;  
[www.hyundaipowerequipment/support/warranty-information](http://www.hyundaipowerequipment/support/warranty-information)

## 17. MANUAL UPDATES

- 17.0 Our manuals are constantly being reviewed and updated.  
However if you find an error, omission or something you find unclear, please contact your dealer for assistance.
- 17.1 Our latest manuals are also placed online.

# HYUNDAI

## POWER PRODUCTS



GENUINE PRODUCT OF  
HYUNDAI CORPORATION

For Inquiries, Please Contact:  
GENPOWER LTD  
Isaac Way, London Road,  
Pembroke Dock, UK, SA72 4RW.  
T: +44 (0) 1646 687 880  
E: [info@hyundaipowerproducts.co.uk](mailto:info@hyundaipowerproducts.co.uk)  
[www.hyundaipowerproducts.co.uk](http://www.hyundaipowerproducts.co.uk)

