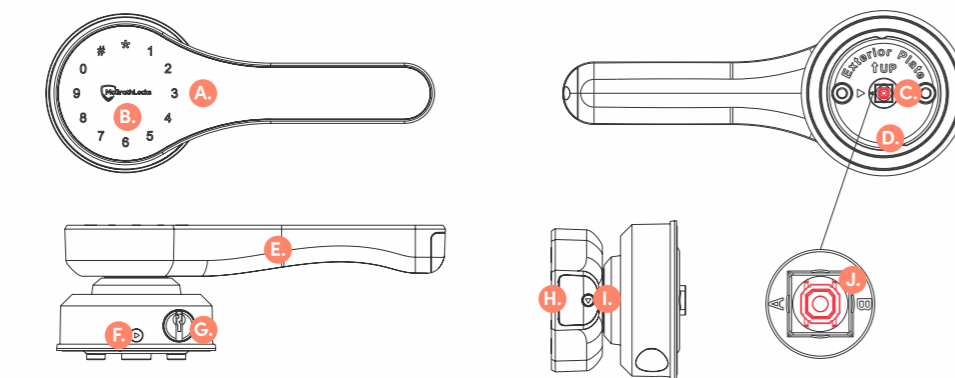




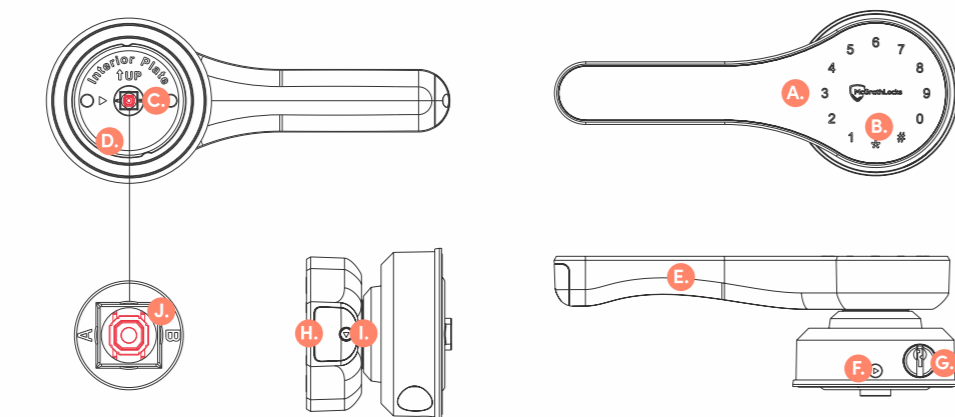
## Exploded diagram

- A. Keypad
- B. Card region
- C. Spindle base
- D. Exterior plate
- E. Handle
- F. Triangular screw
- G. Mechanical key override
- H. Battery cover
- I. Triangular screw
- J. Reset button

### Exterior Lock Diagram (Default handing setup in box)



### Interior Lock Diagram (Default handing setup in box)



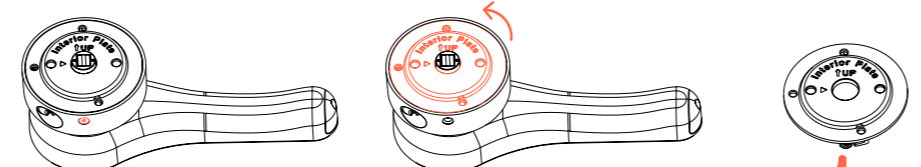
### 1. Determine which handle in the box will be your external handle

The handles are supplied in the box (default) as per the image below on the left. If your gate or door is handed like the image on the left go to step 4. If your door or gate is handed like the image on the right go to step 2 to swap the fitting plates over on both handles to change door handing.



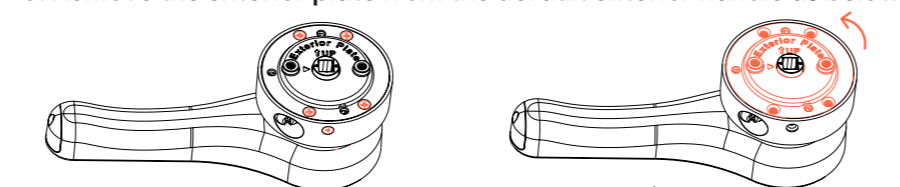
### 2. Remove the interior plate from the default interior handle as below

Repeat this process on the exterior handle in step 3

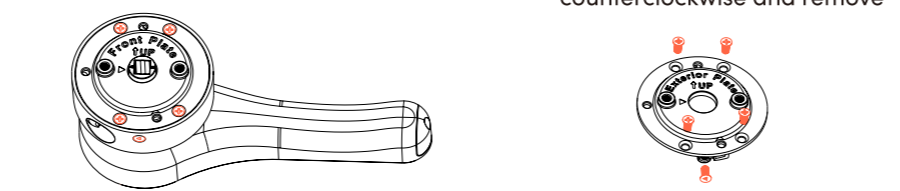


- A. Remove screw
- B. Rotate plate 12° counterclockwise and remove
- C. Removed interior plate and screw

### 3. Remove the exterior plate from the default exterior handle as below



- A. Unscrew 5 screws
- B. Rotate plate 12° counterclockwise and remove

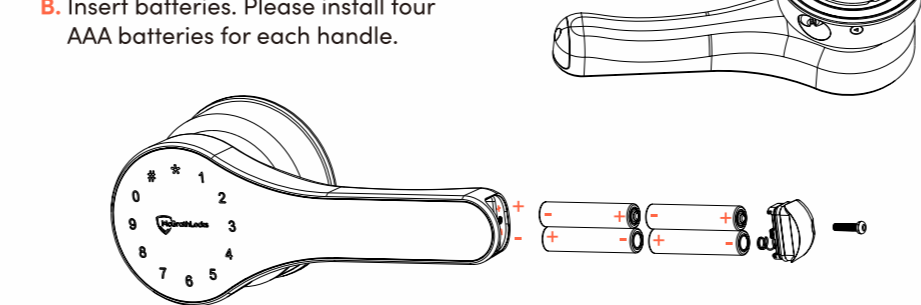


- D. Rotate plate 12° clockwise and re-fit screws
- C. Removed exterior plate and screws

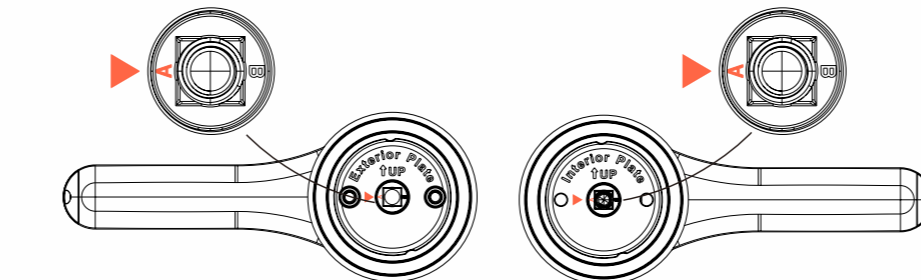
Fit the exterior fixing plate onto the new exterior handle but do not fix the interior fitting plate on yet.

### 4. Finish exterior handle assemblies

- A. Tighten the two connection screw studs on the exterior plate.
- B. Insert batteries. Please install four AAA batteries for each handle.

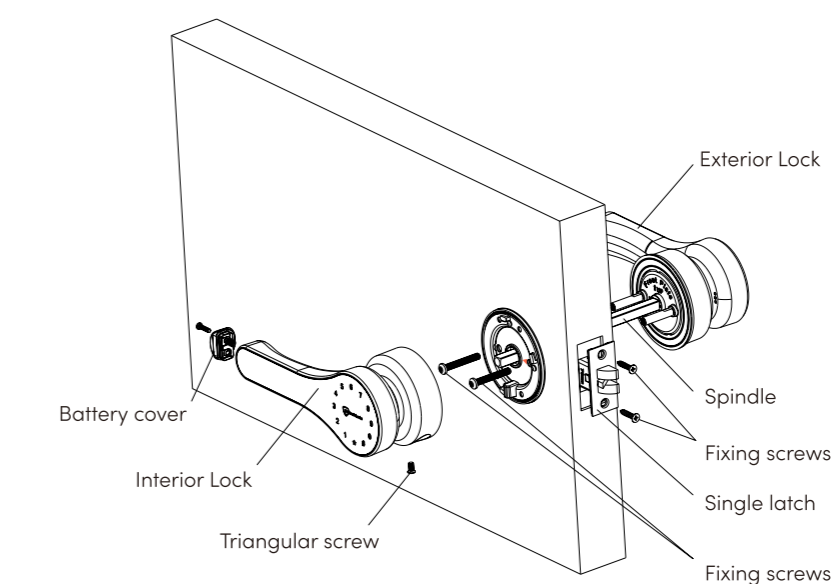


### 5. Make sure the "A" points towards to the triangle mark point



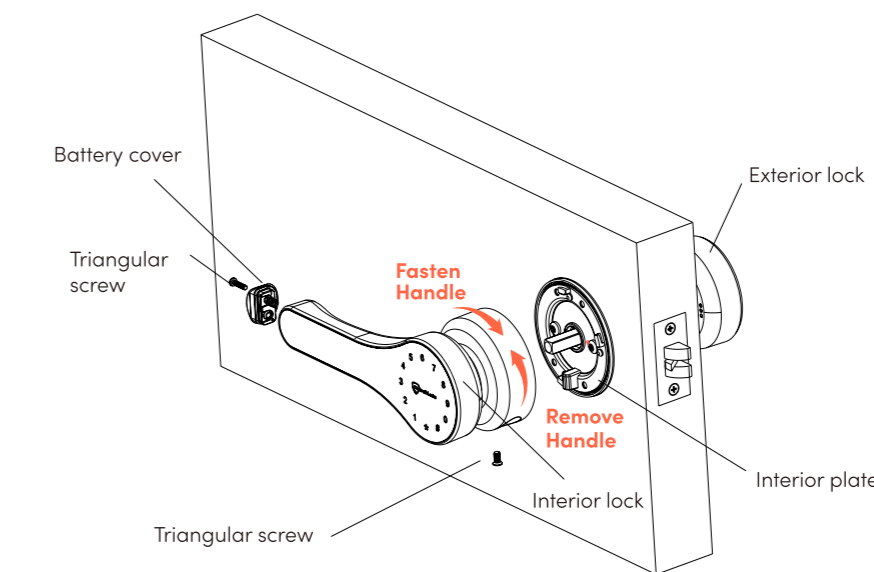
### 6. Install exterior lock

- A. First install the latch according to the door opening direction, and install the strike plate on the door frame.
- B. Check whether the spindle spring has been installed in the spindle hole, then take the spindle and install it into the exterior panel, place the exterior lock on the door.
- C. Put the interior plate on the door, ensure the '↑' toward up.
- D. Insert the fixing screws but do not fully tighten.
- E. Adjust the interior plate to make sure the spindle is centered in the round hole of the interior plate.
- F. Place the interior lock on the plate and check smooth operation of both exterior and interior locks.
- G. Remove the interior lock and tighten the two fixing screws.



### 7. Install interior lock

- A. Ensure the spindle spring is seated in the spindle hole on the lock.
- B. Rotate the round rose on the interior handle 12° anticlockwise and slide the handle onto the spindle.
- C. Rotate the round rose 12° clockwise until it comes to a hard stop.
- D. Insert and tighten the triangular screw in the rose.
- E. Test the handle and mechanical key.



Download and install the McGrath Locks App. Enable your smart phone to scan QR code to download the app. Also you can search "McGrath Locks" on Apple Store or Google Play to download the app.



## RECOMMENDED: LOCK SETUP WITH APP

It is highly recommended to set up the lock using the McGrathlocks app.

The app simplifies programming and provides an easier way to manage your locks.



DOWNLOAD & INSTALL

## Manual set up via keypad only

Please follow the instructions below to manually program the lock using the keypad.

You can add a BLE device after the lock is programmed manually provided you know the admin code.

\*83# > Admin code# > Add lock via APP



## CREATE NEW ACCESS

Add administrator (only 1)

\*12# > 123 456# > New Code# > New Code#

- Enter \*12#
- Input 123456# (the default code)
- Input new code#
- Repeat new code#

Tips: If you use the APP a 4 digit user code can be set.

Add a new user with an access / pin code (250 maximum)

\*80# > Admin Code# > New Code# > New Code#

- Enter \*80#
- Input admin code#
- Input user code# (6-9 digits)
- Repeat new user code#

Tips: If you use the APP a 4 digit user code can be set.

Add a new user with an RFID card (1000 maximum)

\*80# > Admin Code# > RFID

- Enter \*80#
- Input admin code#
- Present the card to the card sensor area

Tips: If your smartphone support NFC, copy the registered RFID card to your smartphone and your phone will be the key to unlock.

## MODIFY CODE

Modify admin code

\*12# > Admin Code# > New Code# > New Code#

- Enter \*12#
- Input old admin code#
- Input new admin code#
- Repeat the new admin code#

Modify user code

\*10# > User Code# > New Code# > New Code#

- Enter \*10#
- Input old user code#
- Input new user code#
- Repeat the new user code#

## DELETE USER

Delete specified pin code

\*72# > Admin Code# > Specified code#

Tips: The admin code cannot be deleted.

- Enter \*72#
- Input the specified code# that you wanted to delete

Delete all user codes

\*71# > Admin Code#

- Enter \*71#
- Input admin code#

Delete all RFID cards

\*69# > Admin Code#

- Enter \*69#
- Input admin code#

## MANAGE VOICE

Turn on the lock voice

\*30# > Admin Code# > 1#

- Enter \*30#
- Input admin code#
- Input 1#

Turn off the lock voice

\*30# > Admin Code# > 0#

- Enter \*30#
- Input admin code#
- Input 0#

## RESET THE LOCK

Press and hold the reset button until you hear "please input initialization passcode" then input 000#. All pin codes, cards and APP users will be deleted.

## DEMO MODE

Demo mode is turned off by default prior to an Admin code being registered. If you wish to turn on demo mode input 24679#. Demo mode sets the lock access pin code to 123456# and any card or fingerprint will also open it. Registering an Administrator will take the lock out of demo mode.

## LOW BATTERY ALERT

When battery power is less than 4.8V you will hear a low battery alert each time you wake the lock screen. Please replace batteries with new Alkaline type. Don't mix old and new batteries.

## SCRAMBLING CODE FOR ANTI PEEP

Users may enter any random digits before or/and at the end of entering their correct pin code and still gain access. This feature makes it harder for an unauthorised user who may be watching you to guess your pin code.

## INCORRECT CODE / CARD ALERT

If the wrong unlocking information is inputted five times the system will be locked out for 35 seconds. The lock can only be operated by the APP during the lockout period.

## PASSAGE MODE

Passage mode keeps the door unlocked, useful when gardening or bringing in groceries from the car etc.

To activate passage mode, enter a valid unlock code then press 123# within 5 seconds. The door will remain unlocked.

To remove from passage mode, unlock using a valid code or card. If you engage passage mode via the APP you must use the APP to disengage passage mode.

## FAQS

Keypad on lock does not respond

- Please check the batteries are installed correctly.
- If the lock had been working OK please replace the batteries with new AA Alkaline type.

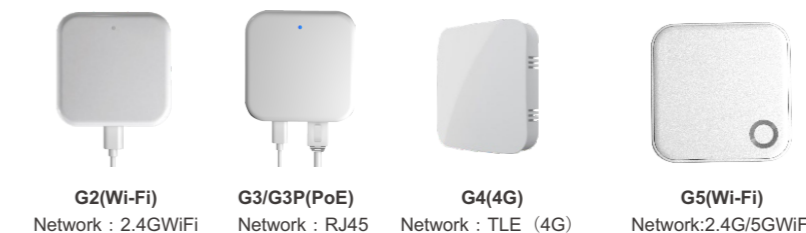
The door will not lock

- Ensure the lock is not in demo mode.
- Check to see if the lock is in passage mode.
- Refer to installation guide to ensure the triangle on the lock hub is correctly aligned.

Battery performance is poor.

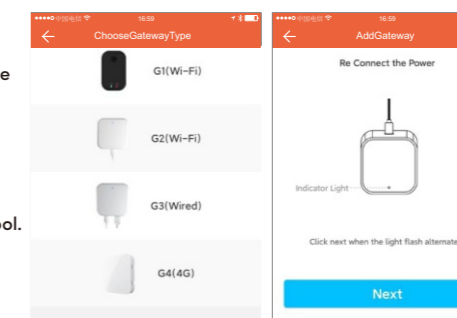
- Ensure all batteries are new Alkaline type.
- Ensure the lock connecting cable is not pinched.
- Check for and update lock firmware.

## GATEWAY Gateway type



## Add Gateway

- Open the McGrath Locks app and log in to your administrator account.
- Tap the menu icon (☰) in the top left corner of the home screen.
- Select "Gateway" from the sidebar menu.
- Tap the "+" symbol in the top right corner.
- Choose your gateway model from the list provided.
- Connect the gateway to power, while the light is alternatively flashing red and blue, press the "+" symbol.
- Select the network required, enter the Wi-Fi password, enter the gateway name.



- Notice: If the process times out, please disconnect from power and try again.
- \*Gateway coverage distance: 10 meters without obstruction.

## GATEWAY FUNCTIONALITY

The gateway is an accessory for the lock that connects it to the network. With a gateway connected you can remotely manage the lock, such as opening the door or deleting a passcode.

Gateway Functions	Without Gateway	With Gateway	
Assign random pin codes	✓	✓	The door lock can function normally without a gateway. However, to remotely modify or delete pin codes, issue fingerprints or cards, open the door remotely and access other features, a gateway is required.
Door Opening with App	✓	✓	
Set permissions	✓	✓	
Remotely modify and delete pin codes	✗	✓	
Remote card issuance	✗	✓	
Open door remotely	✗	✓	
Upload door records log in real time	✗	✓	

## FCC Caution

Any Changes or modifications not expressly approved by the party responsible for compliance could void the user's authority to operate the equipment.

This device complies with part 15 of the FCC Rules. Operation is subject to the following two conditions: (1) This device may not cause harmful interference, and (2) this device must accept any interference received, including interference that may cause undesired operation.

## IMPORTANT NOTE

Note: This equipment has been tested and found to comply with the limits for a Class B digital device, pursuant to part 15 of the FCC Rules. These limits are designed to provide reasonable protection against harmful interference in a residential installation. This equipment generates, uses and can radiate radio frequency energy and, if not installed and used in accordance with the instructions, may cause harmful interference to radio communications. However, there is no guarantee that interference will not occur in a particular installation. If this equipment does cause harmful interference to radio or television reception, which can be determined by turning the equipment off and on, the user is encouraged to try to correct the interference by one or more of the following measures:

- Reorient or relocate the receiving antenna.
- Increase the separation between the equipment and receiver.
- Connect the equipment into an outlet on a circuit different from that to which the receiver is connected.
- Consult the dealer or an experienced radio/TV technician for help.

## FCC Radiation Exposure Statement:

This equipment complies with FCC radiation exposure limits set forth for an uncontrolled environment. This equipment should be installed and operated with minimum distance 20cm between the radiator& your body.