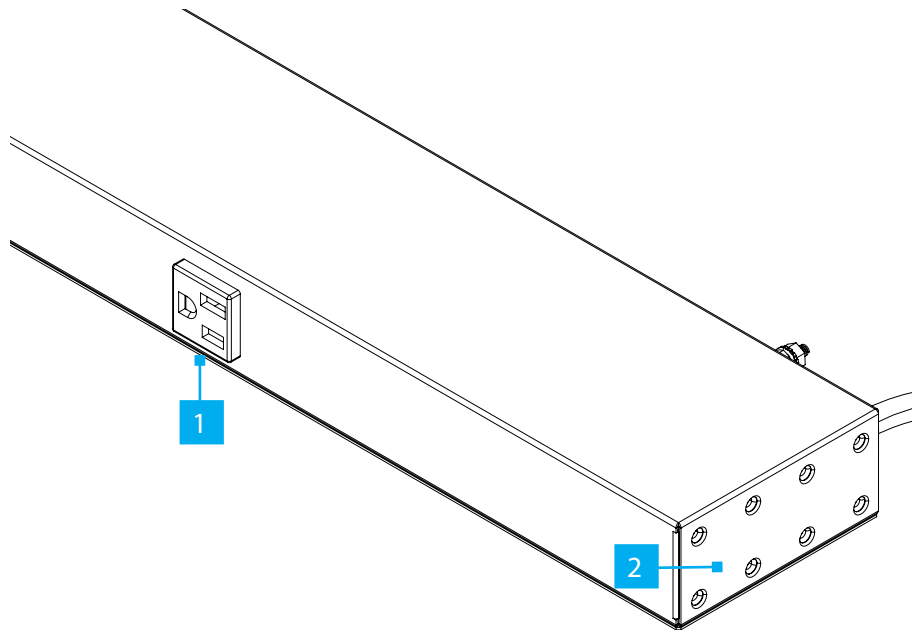


# 13-Outlet 1U Rack-Mount PDU - 8Ft (2.4m) Power Cable

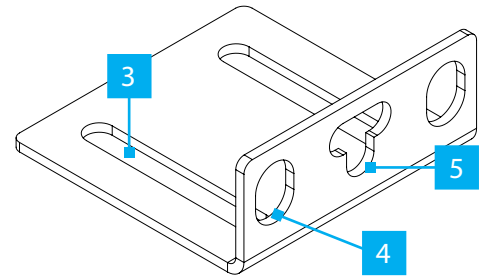
## Product ID

1315B8H-RACK-PDU

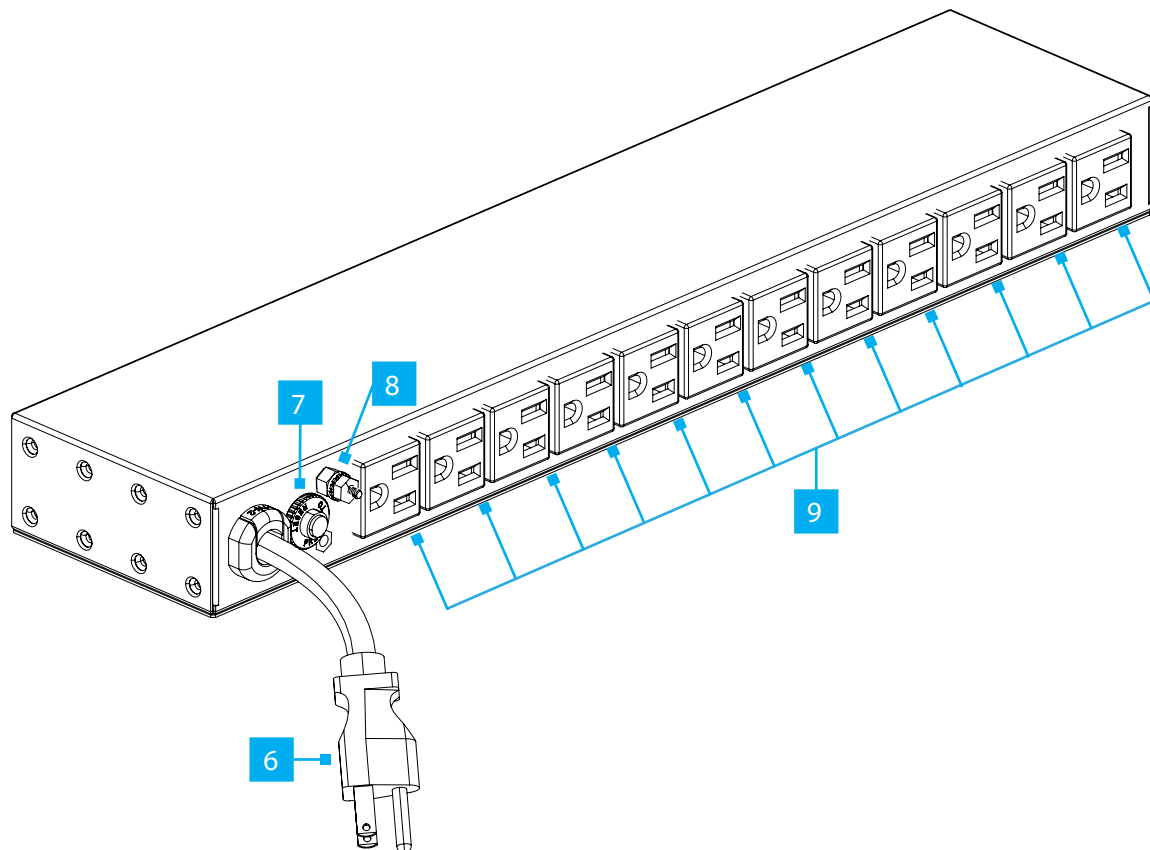
Front View



## 4-Way Mounting Bracket View



## Rear View



Product may vary from image.

	Feature	Function
1	Power Outlet	<ul style="list-style-type: none"> <li>• <b>NEMA 5-15R</b> receptacle. Rated for 125V AC, 15 Amps</li> <li>• Supplies <b>AC Power</b> to devices with <b>NEMA 5-15P</b> plugs</li> </ul>
2	4-Way Mounting Brackets Mounting Holes	<ul style="list-style-type: none"> <li>• Enables mounting of the included <b>4-Way Mounting Brackets</b></li> </ul> <p><b>Note:</b> <i>The 4-Way Mounting Brackets are pre-installed</i></p>
3	4-Way Mounting Bracket Depth Adjustment Slots	<ul style="list-style-type: none"> <li>• Enable fastening the <b>4-Way Mounting Brackets</b> to the <b>PDU</b> and adjusting the <b>PDU Mounting Depth</b></li> </ul>
4	4-Way Mounting Bracket Rack Mounting Holes	<ul style="list-style-type: none"> <li>• Enables fastening of the <b>PDU</b> to a <b>Server Rack</b> or <b>Cabinet Mounting Posts</b></li> </ul>
5	4-Way Mounting Bracket Keyhole	<ul style="list-style-type: none"> <li>• Enables fastening of the <b>PDU</b> in different orientations</li> </ul>
6	Built-in Power Cable	<ul style="list-style-type: none"> <li>• <b>NEMA 5-15P</b> plug. Rated for 125V AC, 15 Amps</li> <li>• Connects to a <b>125V AC Power Source</b> via a <b>NEMA 5-15R</b> receptacle</li> </ul>
7	Circuit Breaker Manual Reset Button	<ul style="list-style-type: none"> <li>• Restores <b>Power</b> by resetting the <b>Circuit Breaker</b> when tripped</li> </ul>
8	Grounding Point	<ul style="list-style-type: none"> <li>• Attach a <b>Grounding Wire</b> (not included) to an <b>Earth Ground Connection</b></li> </ul> <p><b>Note:</b> <i>A Grounding Wire is typically Green or Green with a Yellow stripe and should be at least 18 AWG</i></p>
9	Power Outlets x 12	<ul style="list-style-type: none"> <li>• <b>NEMA 5-15R</b> receptacles. Rated for 125V AC, 15 Amps</li> <li>• Supplies <b>AC Power</b> to devices with <b>NEMA 5-15P</b> plugs</li> </ul>

## Package Contents

- PDU Unit x 1 **(A)**
- 4-Way Mounting Brackets x 2 (Pre-Installed) **(B)**
- M5x12mm Rack Screws x 4 **(C)**
- M5 Cage Nuts x 4 **(D)**
- Quick-Start Guide x 1

## Requirements

For the latest manuals, product information, technical specifications, and declarations of conformance, please visit: [www.StarTech.com/1315B8H-RACK-PDU](http://www.StarTech.com/1315B8H-RACK-PDU)

- Phillips head screwdriver (PH1) for M3 screws and PH2 for M5 Screws
- Cage nut tool (optional)

## Warnings!

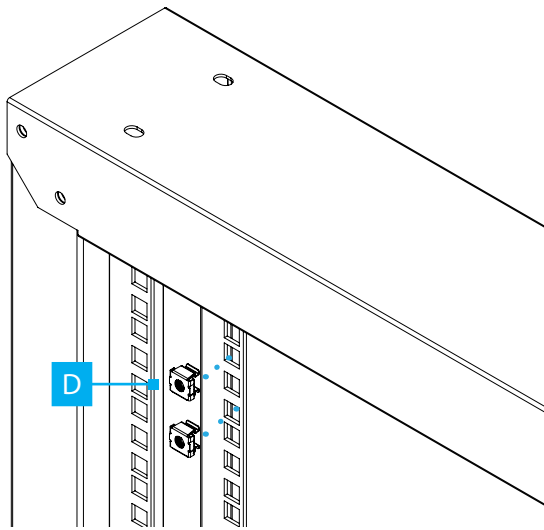
- StarTech.com Ltd. is not responsible for any property damage and/or personal injury resulting from the installation procedures outlined in this technical document
- Read the entire Quick-Start Guide and ensure the instructions are fully understood before using this product
- Refer to the manufacturer of the Server Rack to determine the mounting hole type and size
- If the Server Rack Mounting Posts have M5 threaded holes, the included M5x12mm Rack Screws can be installed without Cage Nuts. Use the manufacturer-recommended Screws if they differ from the ones included
- Never operate this product if parts are missing or damaged
- Do not touch the product under power if the product has an exposed printed circuit board or electrical wire
- If the connected equipment overdraws excessive current for more than a few seconds, the Circuit Breaker in the Power Delivery Unit will trip to help prevent potential equipment damage. Inspect the connected load and disconnect any non-essential or malfunctioning devices as necessary. Allow the Power Delivery Unit to cool down for at least 60 seconds before pressing the Manual Reset Button to restore functionality.
- Never insert foreign objects into the PDU outlets. Doing so may result in electric shock, fire, serious injury, or irreparable equipment damage. The outlets are designed exclusively for use with compatible power plugs. Always follow the manufacturer's instructions and applicable safety standards.

**Note:** *This unit is only to be used inside racks within computer, telecommunications, and cloud data center rooms.*

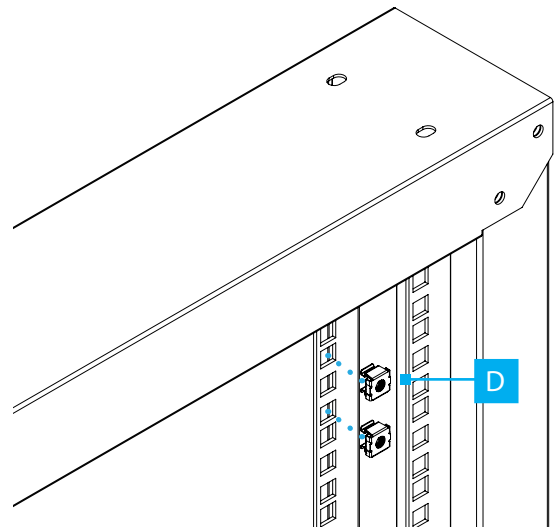
# Installation

## 19" Rack Mounting

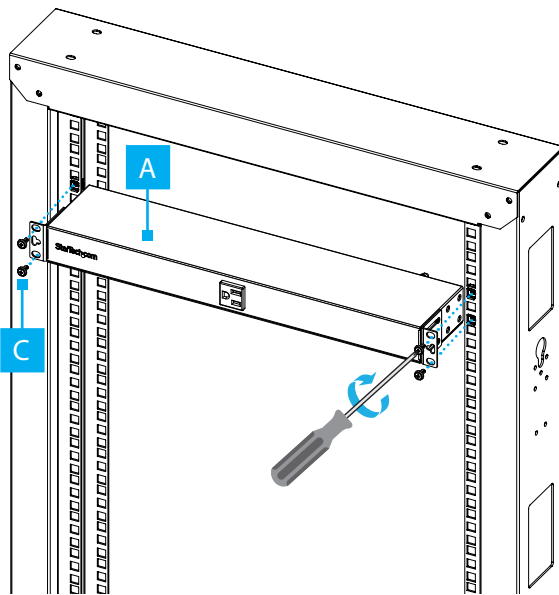
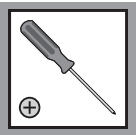
1



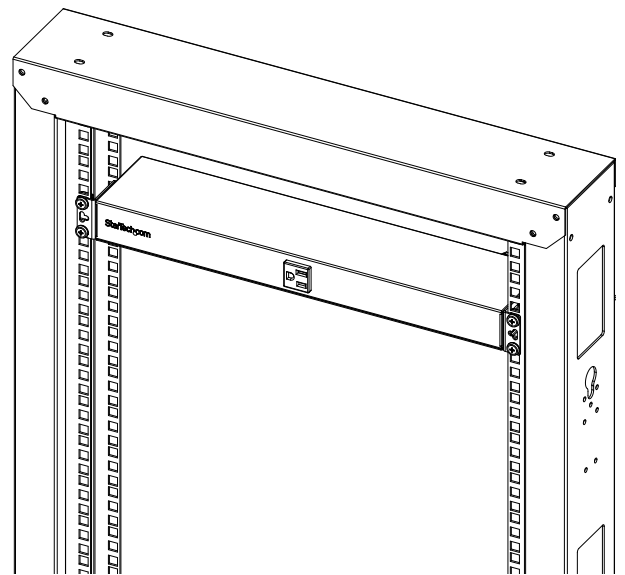
2



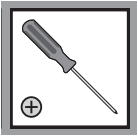
3



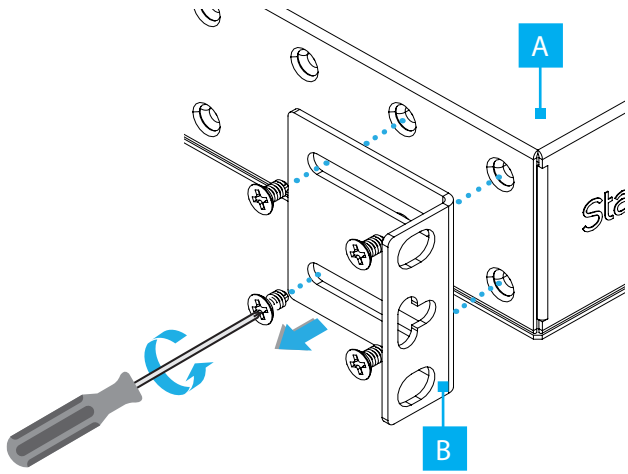
4



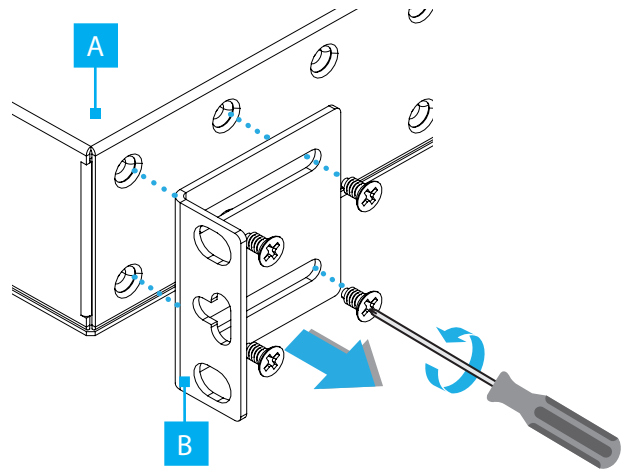
### 4-Way Mounting Brackets Removal and Repositioning



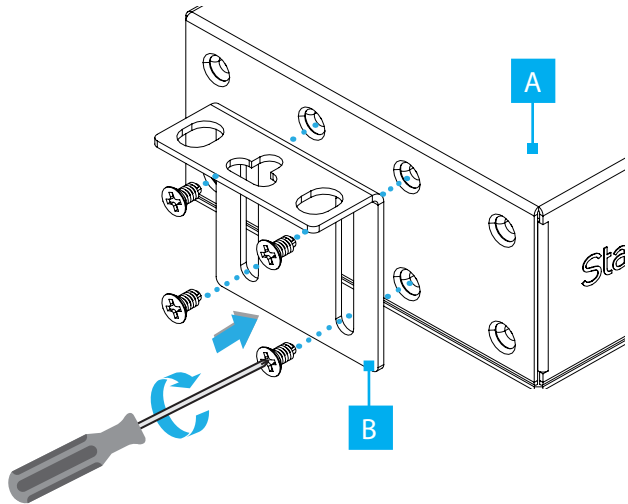
1



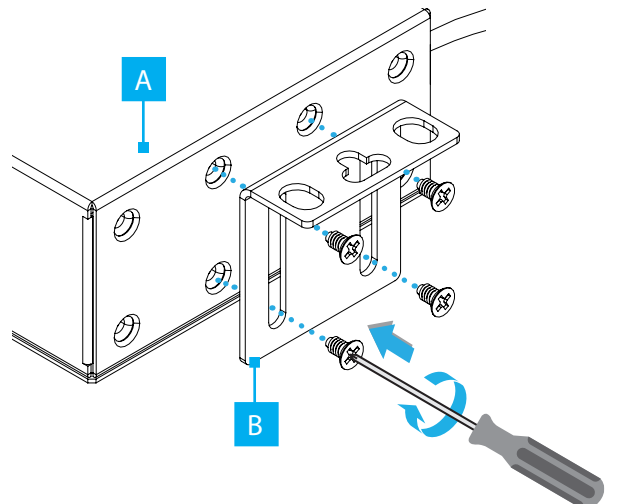
2



3

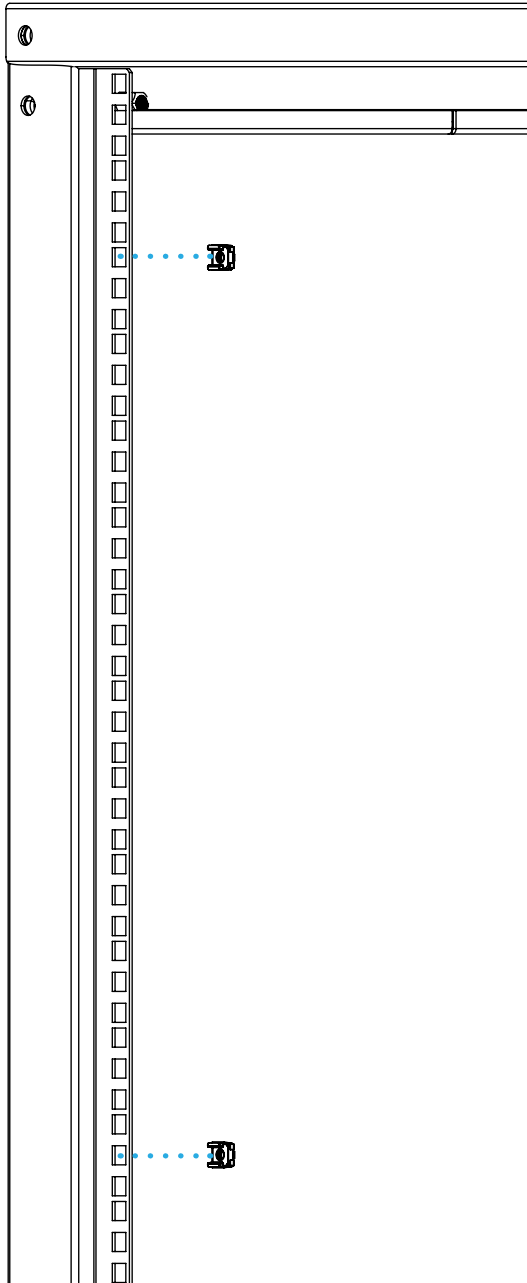


4

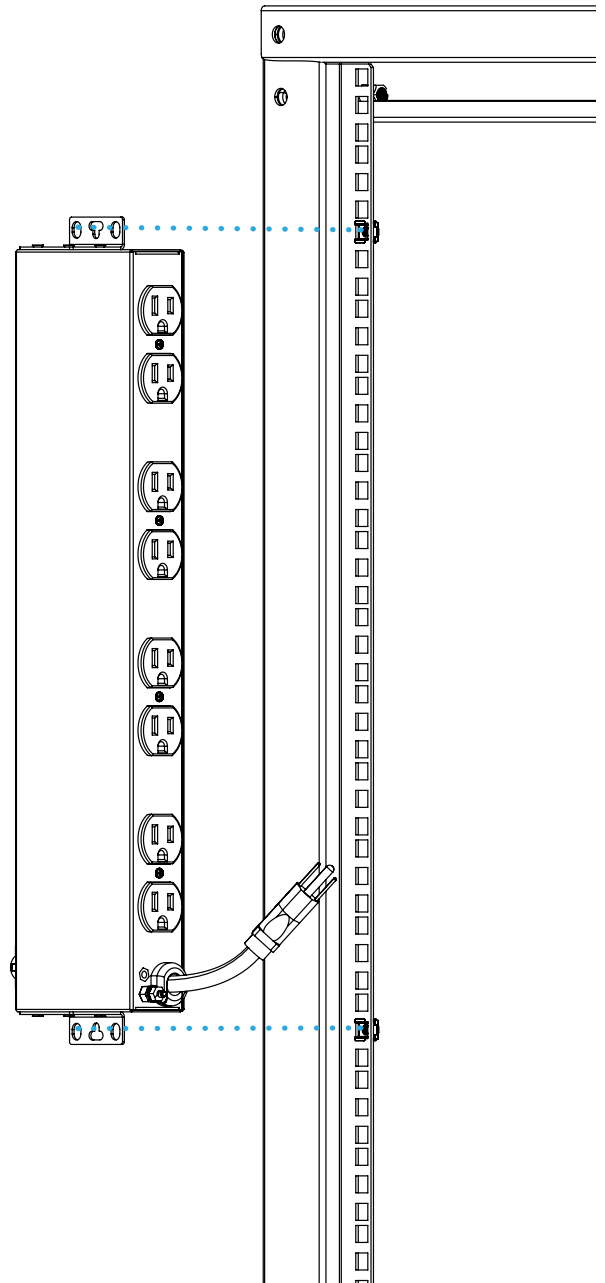


### 0U Vertical Mounting

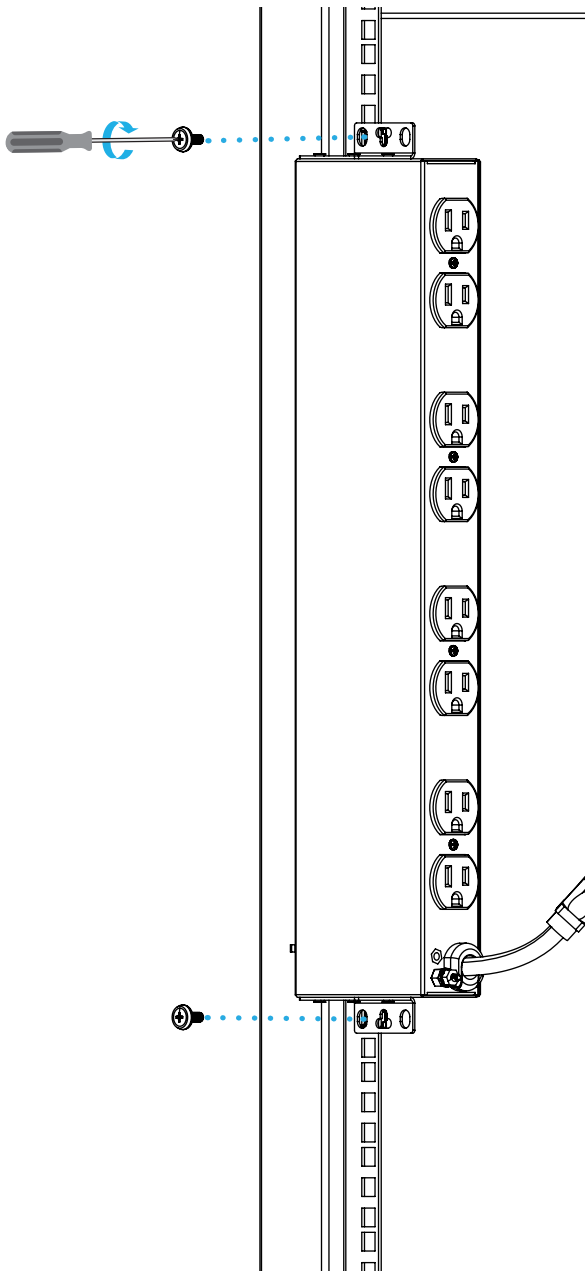
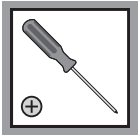
1



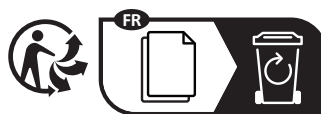
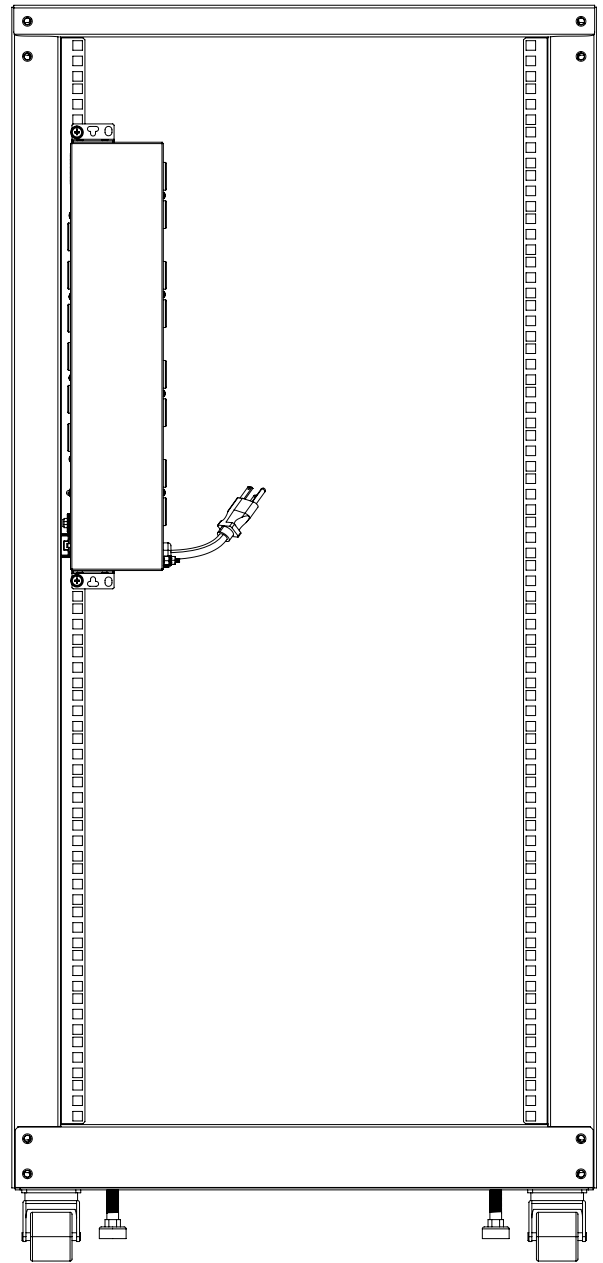
2



3



4



**HQ Contact:**  
StarTech.com Ltd.  
45 Artisans Crescent,  
London, ON N5V 5E9,  
Canada

**US Contact:**  
StarTech.com USA LLP  
4490 South Hamilton Rd,  
Groveport, OH 43125,  
United States

**UK Contact:**  
StarTech.com Ltd.  
15 Gowerton Rd,  
Northampton, NN4 7BW,  
United Kingdom

**EU Contact:**  
StarTech.com Ltd.  
Siriusdreef 17-27  
2132 WT Hoofddorp  
The Netherlands

**JP Contact:**  
StarTech.com K.K.  
Atelier Yours Ogawamachi 7F  
1-10-2 Kanda Ogawamachi  
Chiyoda-ku, Tokyo 101-0052  
Japan

FR: startech.com/fr  
DE: startech.com/de  
ES: startech.com/es  
NL: startech.com/nl  
IT: startech.com/it  
JP: startech.com/jp