



Russell Hobbs



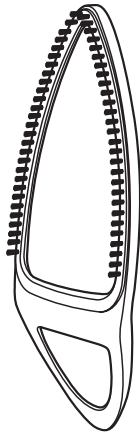
28370

 www.russellhobbs.com

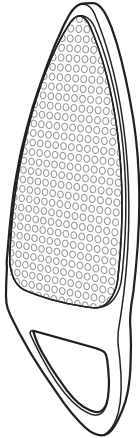
Register online for an EXTRA year guarantee

Visit www.russellhobbs.co.uk/productregister/ You must register within 28 days of purchase





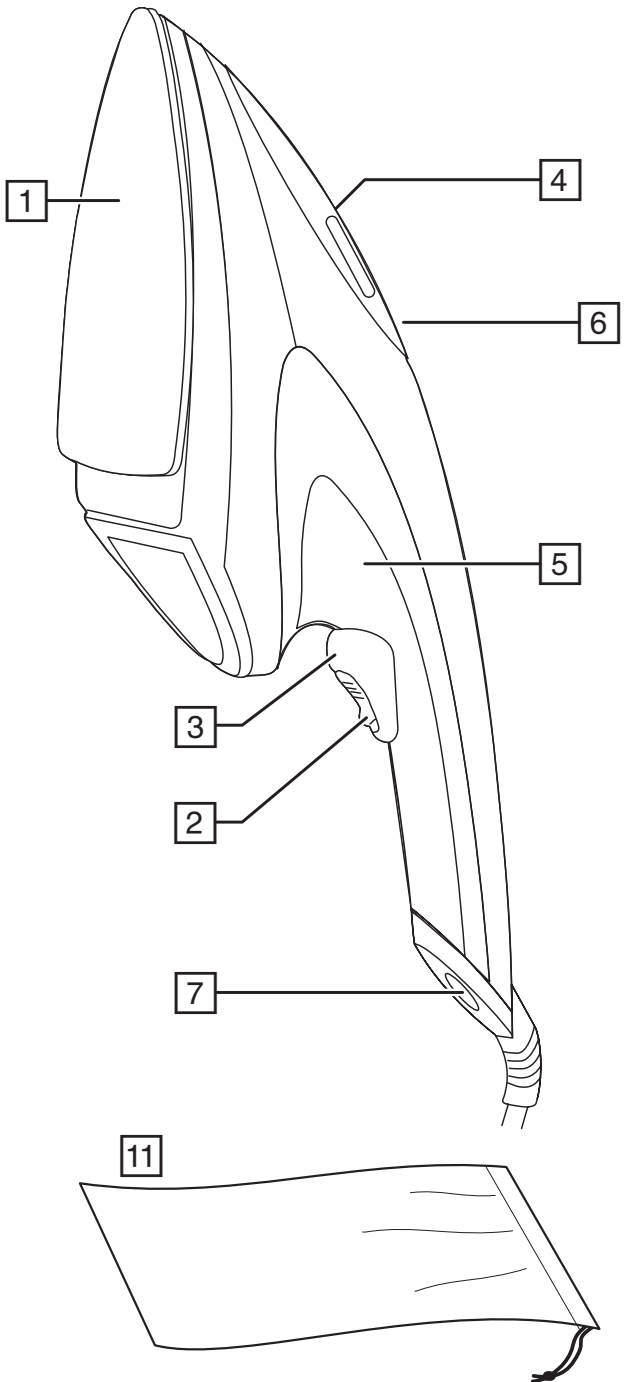
8



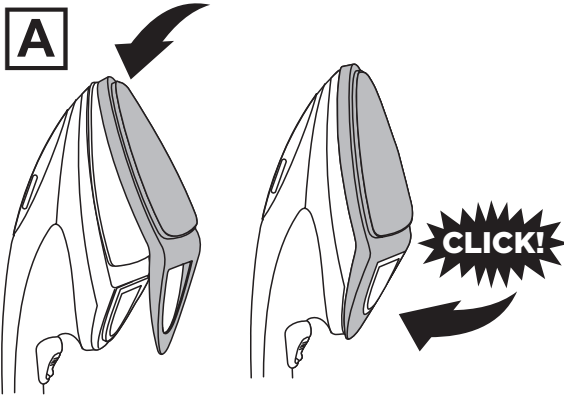
9



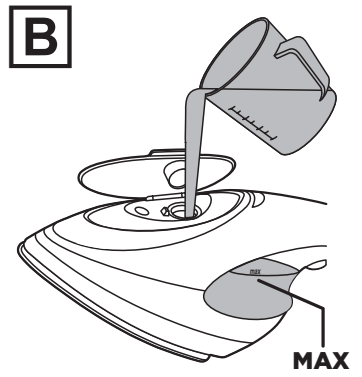
10



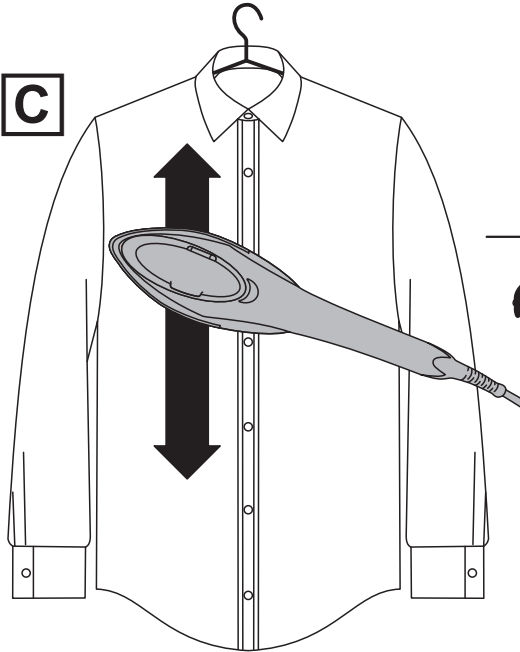
A



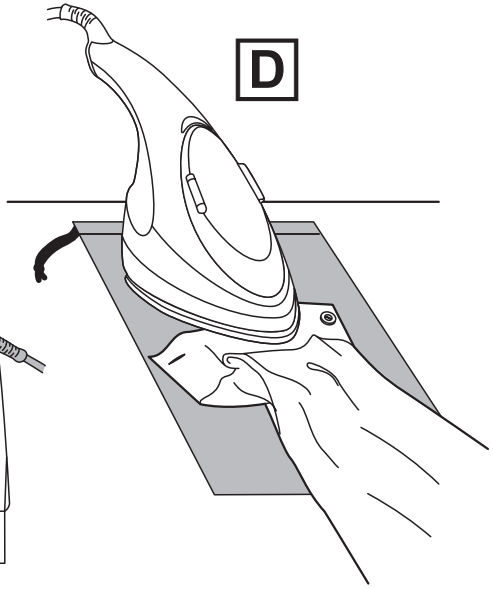
B



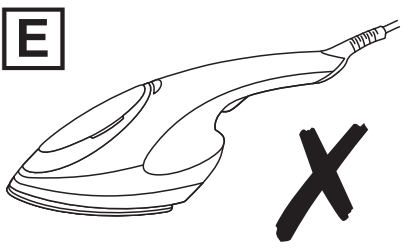
C



D



E



Read the instructions, keep them safe, pass them on if you pass the appliance on. Remove all packaging before use.

IMPORTANT SAFEGUARDS

Follow basic safety precautions, including:

This appliance can be used by children aged from 8 years and above and persons with reduced physical, sensory or mental capabilities or lack of experience and knowledge if they have been supervised/ instructed and understand the hazards involved. Children shall not play with the appliance. Cleaning and user maintenance shall not be done by children unless they are older than 8 and supervised. Use and store the appliance out of reach of children under 8 years. Between uses, the steamer must be rested on a stable, level, heat-resistant surface.

Don't leave the appliance unattended while plugged in, or while it's resting between uses.

Unplug the appliance before filling, before cleaning, and after use.

Don't operate the appliance if it's dropped or damaged, or if it malfunctions or leaks.

If the cable is damaged, return the appliance in order to avoid a hazard.

 The surfaces of the appliance will get hot during use.

- Do not use this appliance near bathtubs, showers, basins or other vessels containing water.
- Never use anything except water to fill or clean the appliance.
- Never steam clothing that is being worn.
- Never aim steam directly at people, animals or plants. Steam is hot and can cause serious burns and scalds if used without care.
- Never hold the steam head downwards while at rest, or tilt it backwards as this may cause hot water to be discharged and possible injury.
- Ensure the appliance is switched off and cooled down before fitting or removing attachments.
- Don't use the appliance for any purpose other than those described in these instructions.

HOUSEHOLD USE ONLY

PARTS

- | | |
|--------------------------|-------------------------------|
| 1. Ceramic heating plate | 7. Power button |
| 2. Steam trigger lock | 8. Fabric attachment |
| 3. Steam trigger | 9. Delicate fabric attachment |
| 4. Water inlet | 10. Upholstery attachment |
| 5. Water tank | 11. Heat resistant bag |
| 6. Power light | |

BEFORE USING FOR THE FIRST TIME




- Remove labels, stickers and packaging from the appliance.
- Read all instructions and warnings.

IMPORTANT INFORMATION

- For best performance, we recommend using distilled, purified or filtered water in your steamer. Tap water contains minerals that can build up inside your steamer over time and reduce its efficiency or even cause damage.
- Never use perfumes, oils or other additives.
- Always check the garment's care label before steaming, and always test fabrics for colourfastness in an inconspicuous area. Steamers are not recommended for use on leather, suede, vinyl, plastic, or other materials that are sensitive to steam.
- During use the steamer and accessories will become HOT. Never try to fit or remove attachments while still hot.
- After preheating, prime the water pump by holding the steam trigger until steam forms.
- It is normal to feel or hear the water pump inside the device. It may become louder when the water level in the tank is low. Check and refill the tank when required.
- Small amounts of dripping might occur during use. If excessive, your steamer needs time to get back up to full temperature. Just allow the steamer a minute to reheat.
- Wearing clothes immediately after ironing or steaming can actually create wrinkles. Always allow the clothing to cool for about 5 minutes before wearing.

ATTACHMENTS

Your steamer has three attachments. Each attachment is marked with an icon.

	Fabric attachment	Opens up the fibres in fabrics so the steam can better penetrate the material; good for thicker materials like coats and can also help to remove pilling.
	Delicate fabric attachment	Reduces the possibility of damage to fabrics such as silk and lace. Tip: For items with printing/embellishment, turn the garment inside out to avoid damage to sensitive areas.
	Upholstery attachment	Deodorise, refresh and clean larger materials such as bedding, mattresses, curtains, soft toys, sofas and much more. Always test for colourfastness and heat sensitivity on an inconspicuous area.

Fitting/Removing (Fig. A)



1. Make sure that the steamer and attachment are cool.
2. Hook the top of the attachment over the top edge of the steamer.
3. Click the bottom edge into place.
4. Remove attachments by lifting them away from your steamer starting at the heel. When removing the attachment, watch out for condensation that may have built up during use.

FILLING

1. Place the steamer as shown (Fig. E). You can also place your steamer on the heat resistant storage bag.
2. Open the water inlet cover (Fig. B).
3. Pour slowly, to let the air in the reservoir escape, otherwise you'll cause an air lock and the water will overflow.
4. Don't fill past the **max** marking or water will escape in use.

- To refill at any time during use, turn the steamer off by pressing the power button until the blue indicator light goes out, unplug from outlet, and follow the above procedure.
- After refilling, allow to reheat for 60 seconds and then prime the pump by holding the steam trigger until steam forms.

USING

- If the label says “do not iron” or shows this icon , fit the delicate attachment and make sure to test on an inconspicuous area prior to steaming the entire garment.
 - If the label says “do not steam” or shows this icon , do not steam the garment.
1. Hang the garment in an area that will not be affected or damaged by the heat and steam, such as on a shower curtain rail, or in an open doorway. Alternatively, place the garment on a bed or towel. You can use the heat resistant bag between the bed/towel and garment if required.
 2. Fit any attachment you wish to use.
 3. Plug the steamer in then press the power button. The blue power button light will slowly flash, indicating that the steamer is heating.
 4. After about 60 seconds the power light will stay on, indicating your steamer is ready to use.
 5. Prime the water pump by holding steam trigger until steam forms.
 6. To generate steam, press the steam trigger. As long as the trigger is held, steam will emit from the steamer. When the trigger is released, the steam will stop.
- To generate a constant flow of steam without holding the trigger, press the steam trigger and then slide the steam trigger lock downwards. You can then release pressure on the steam trigger. To turn the steam off, press the trigger, slide the steam trigger lock upwards, then release the trigger.
7. With your free hand keep the fabric taut. Steam the garment with slow, downward strokes, keeping the head of the steamer in contact with the fabric (Fig. C).
 8. When you have finished, press and hold the power button until the blue light goes out (about 3 seconds) and unplug.
- After ironing or between garments, set your steamer down with the handle resting on a flat, stable surface. You can use the heat resistant bag to rest your steamer on (Fig. E).

Ceramic heated plate

Your steamer features a ceramic heated plate that helps smooth out wrinkles and creases on the areas of garments that are more difficult to reach with steam alone. The temperature of the plate is safe for all ironable fabrics.

To press garments (collars, cuffs, etc.) place it on a flat, heat resistant surface. Keep the plate in contact with the garment. Use steam as required. You can use the heat resistant bag to iron on (Fig D).

Important: Always make sure that the surface you use to iron on will not be affected or damaged by heat or steam!

Auto shut off

If you haven't used the steam trigger for approximately 8 minutes, your steamer will enter auto shut off mode. In auto shut off mode, the blue light will flash. To restart your steamer, press and hold the steam trigger for a few seconds until your steamer begins to steam again and the blue light stops flashing.

CARE AND MAINTENANCE

- When storing or after use, do not wrap the mains cord around the appliance as this can damage the cord.
1. Make sure steamer is off, unplugged and completely cool.
 2. Wipe all surfaces with a clean damp cloth.
 3. After the steamer has been thoroughly dried, turn it back on and lightly steam over an old cloth. This will help remove any residue left in the steam holes.
 4. To avoid mineral buildup, empty the tank after each use.

Cleaning attachments

- Fabric attachment: Wipe with damp cloth to clean.
- Delicate fabric attachment: Wash with cold water and small amounts of a gentle cleanser if needed. The fabric cannot be removed.

- Upholstery attachment: The fabric can be removed and hand washed with cold water and a gentle cleanser.

TROUBLESHOOTING

Problem	Possible Cause	Solution
The steamer is plugged in but not heating.	The auto shut-off has activated.	Press the steam trigger or press the power button to activate the steamer.
Not enough steam or no steam is coming out of the steamer.	The steamer is not heated to full temperature.	Always allow steamer to preheat at least 60 seconds, or until the power button light stops flashing.
	There is not enough water in the water tank.	Fill the water tank.
	The water pump hasn't been primed.	After preheating, always prime the water pump by holding the steam trigger until steam forms.
Discoloured water is coming through the holes and staining the fabric.	Residue has built up in the water tank.	Empty the water tank after each use. Only use distilled, filtered, or purified water.
	Perfumed or scented additives were used.	Never use perfumed or scented additives.
Steamer is leaking or spitting.	Steamer is not hot enough.	Allow the steamer to heat for about 60 seconds.
	Water tank is running low.	Fill the water tank.

RECYCLING



To avoid environmental and health problems due to hazardous substances, appliances and rechargeable and non-rechargeable batteries marked with one of these symbols must not be disposed of with unsorted municipal waste. Always dispose of electrical and electronic products and, where applicable, rechargeable and non-rechargeable batteries, at an appropriate official recycling/collection point.

SERVICE

If you ring Customer Service, please have the Model Number to hand, as we won't be able to help you without it. It's on the rating plate (usually underneath the product).

The product isn't user-serviceable. If it's not working, read the instructions, check the plug fuse and main fuse/circuit breaker. If it's still not working, consult your retailer.

If that doesn't solve the problem – ring Customer Service – they may be able to offer technical advice.

If they advise you to return the product to us, pack it carefully, include a note with your name, address, day phone number, and what's wrong. If under guarantee, say where and when purchased, and include proof of purchase (till receipt). Send it to:

Customer Service

Spectrum Brands (UK) Ltd

Fir Street, Failsworth, Manchester M35 0HS

email: support@russellhobbs.com

telephone: 0345 658 9700 (local rate number)

Please note: If you have purchased the product within the last 6 months, please contact the retailer in the first instance to deal with any matters relating to warranty.

GUARANTEE

Defects affecting product functionality appearing within the guarantee period will be corrected by replacement or repair at our option provided the product is used and maintained in accordance with the instructions. Your statutory rights are not affected.

This warranty shall not be valid where it is contrary to U.S. and other applicable laws, or where the warranty would be prohibited under any economic sanctions, export control laws, embargos, or other restrictive trade measures enforced by the United States or other applicable jurisdictions. This includes, without limitation, any warranty claims implicating parties from, or otherwise located in, Cuba, Iran, North Korea, Syria and the Crimea region.

Guarantee period = 2 years from first retail purchase.

To claim an extra 1 year guarantee, register your product online within 28 days of purchase. Register at:

uk.russellhobbs.com/product-registration

Consumables are guaranteed only for their recommended lifecycle. Replacement/Spare parts* are excluded and are only covered by a 1 year warranty.

* Examples include filters, removable grill plates, drip trays/crumb trays etc.

ONLINE

www.russellhobbs.com for more products