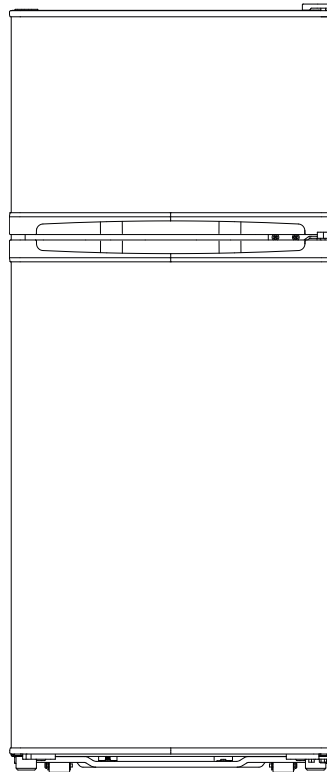


INSIGNIA™

4.5 Cu. Ft. Compact Refrigerator

NS-CF43TMSS6/NS-CF43TMSS6-C



Before using your new product, please read these instructions to prevent any damage.

Contents

| | |
|--|----|
| Introduction | 2 |
| Important Safety Instructions | 3 |
| Features | 5 |
| Package contents | 5 |
| Main components | 5 |
| Setting up your refrigerator | 6 |
| Before using your refrigerator | 6 |
| Finding a suitable location | 6 |
| Providing proper ventilation | 7 |
| Leveling your refrigerator | 8 |
| Providing a proper power supply | 8 |
| Setting the thermostat | 8 |
| Reversing the doors | 9 |
| Before you begin | 9 |
| Removing the doors | 10 |
| Reinstalling the doors | 13 |
| Maintaining your refrigerator | 14 |
| Cleaning your refrigerator | 14 |
| Defrosting your refrigerator and freezer | 15 |
| Changing the interior light | 15 |
| Shutting down your refrigerator | 15 |
| Moving your refrigerator | 16 |
| Tips on saving energy | 16 |
| Troubleshooting | 16 |
| Specifications | 18 |
| ONE-YEAR LIMITED WARRANTY | 19 |

Introduction

Congratulations on your purchase of a high-quality Insignia product. Your NS-CF43TMSS6 or NS-CF43TMSS6-C represents the state of the art in compact refrigerator design and is designed for reliable and trouble-free performance.

Important Safety Instructions

Read all instructions before use.

Keep these instructions.



This is the safety alert symbol. It is used to alert you to potential personal injury hazards. Obey all safety messages that follow this symbol to avoid possible injury or death.



This symbol indicates: Flammables/Pyrophoric/Self-Heating/Emits Flammable Gas/Self-Reactives.



DANGER: Risk of fire or explosion

- Do not use mechanical devices or other means to accelerate the defrosting process, other than those recommended by the manufacturer.
- To be repaired only by trained service personnel. Use only manufacturer-authorized service parts. Do not puncture refrigerant tubing.
- Do not store or use gasoline or any flammable liquids inside or in the vicinity of this refrigerator.
- If the supply cord is damaged, it must be replaced by the manufacturer, its service agent, or a similarly qualified person in order to avoid a hazard.



WARNING: Risk of fire/flammable materials

- Keep ventilation openings, in the appliance enclosure or in the built-in structure, clear of obstruction.
- Do not use mechanical devices or other means to accelerate the defrosting process, other than those recommended by the manufacturer.
- Do not damage the refrigerant circuit.
- Do not use electrical appliances inside the food storage compartments of the appliance, unless they are of the type recommended by the manufacturer.
- Dispose of the refrigerator according to local regulators because it uses flammable blowing gas and refrigerant.
- When positioning the appliance, ensure the supply cord is not trapped or damaged.
- Do not locate multiple portable socket-outlets or portable power supplies at the rear of the appliance.
- Do not use extension cords or ungrounded (two prong) adapters.



**WARNING: Risk of child entrapment**

Before you throw away your old refrigerator or freezer:

- Take off the doors
- Leave the shelves in place so that children may not easily climb inside.

**WARNING**

This appliance is not intended for use by persons (including children) with reduced physical, sensory or mental capabilities, or lack of experience and knowledge, unless they have been given supervision or instruction concerning use of the appliance by a person responsible for their safety. Children should be supervised to ensure that they do not play with the appliance. Cleaning and maintenance should not be performed by children without supervision.

**WARNING**

This appliance is intended to be used in household and similar applications such as:

- staff kitchen areas in shops, offices and other working environments.
- farm houses and by clients in hotels, motels and other residential type environments
- bed and breakfast type environments
- catering and similar non-retail applications

**WARNING**

- Turn off the appliance before unplugging it.
- Unplug your refrigerator before carrying out user maintenance on it.
- If a component part is damaged, we recommend it be replaced by the manufacturer, its service agent, or similar qualified persons in order to avoid a hazard.

**WARNING: Grounding requirement**

- This appliance must be grounded. This appliance is equipped with a cord having a grounding wire with a grounding plug. The plug must be inserted into an outlet that is properly installed and grounded.
- Improper use of the grounding plug can result in a risk of electric shock. Consult a qualified electrician or service person if the grounding instructions are not completely understood, or if doubt exists as to whether the appliance is properly grounded.

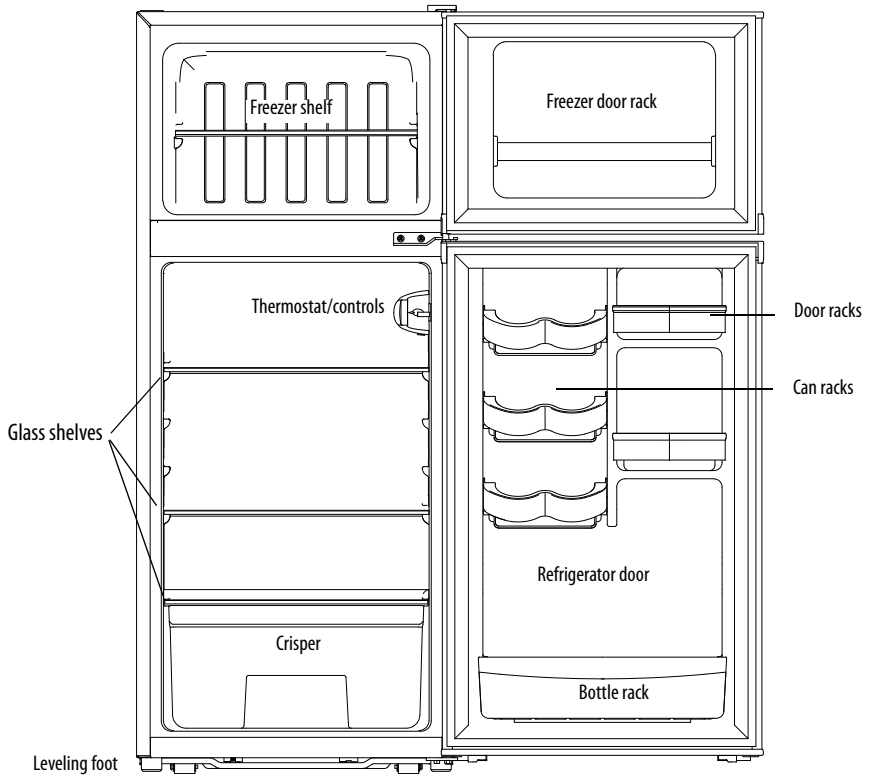
Features

- 3.3 cu. ft. (.09 cu. m) refrigerator size holds your meals, drinks and more
- 1.18 cu. ft. (.03 cu. m) top freezer with shelf and door rack houses your frozen meals and leftovers
- Three tempered glass refrigerator shelves (two adjustable) safely hold your foods
- Six refrigerator door racks hold additional items such as soda cans and a 2-liter bottle (bottom rack only)
- Bottom drawer keeps vegetables or other foods separate and organized
- Reversible door hinge adjusts to fit your space
- Recessed handle takes up no additional space
- Mechanical dial makes it easy to adjust to your chosen temperature

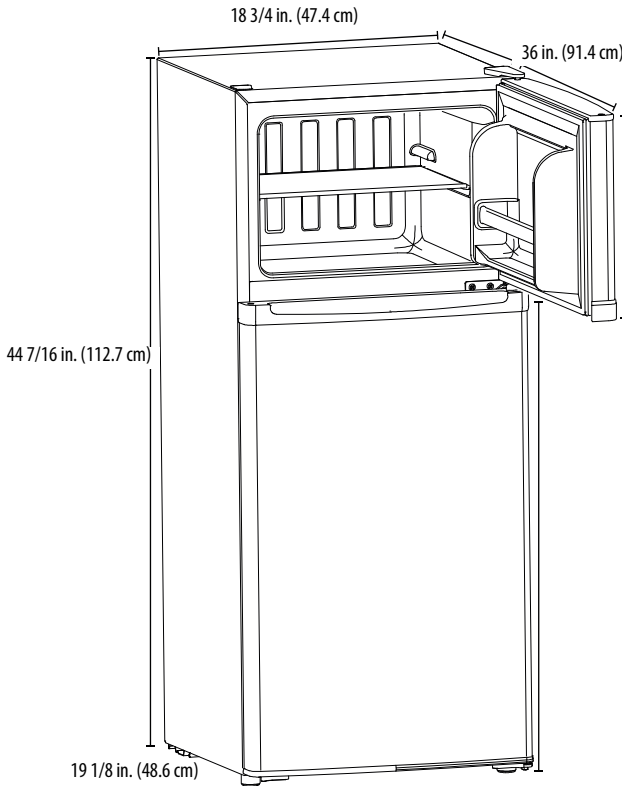
Package contents

- 4.5 cu. ft. compact refrigerator
- *User Guide*

Main components



Dimensions



Setting up your refrigerator

Before using your refrigerator

- Remove the exterior and interior packing.
- Let your refrigerator stand upright for approximately four hours before connecting it to power. This reduces the possibility of a malfunction in the cooling system from improper handling during transportation.
- Clean the interior surface with lukewarm water using a soft cloth.

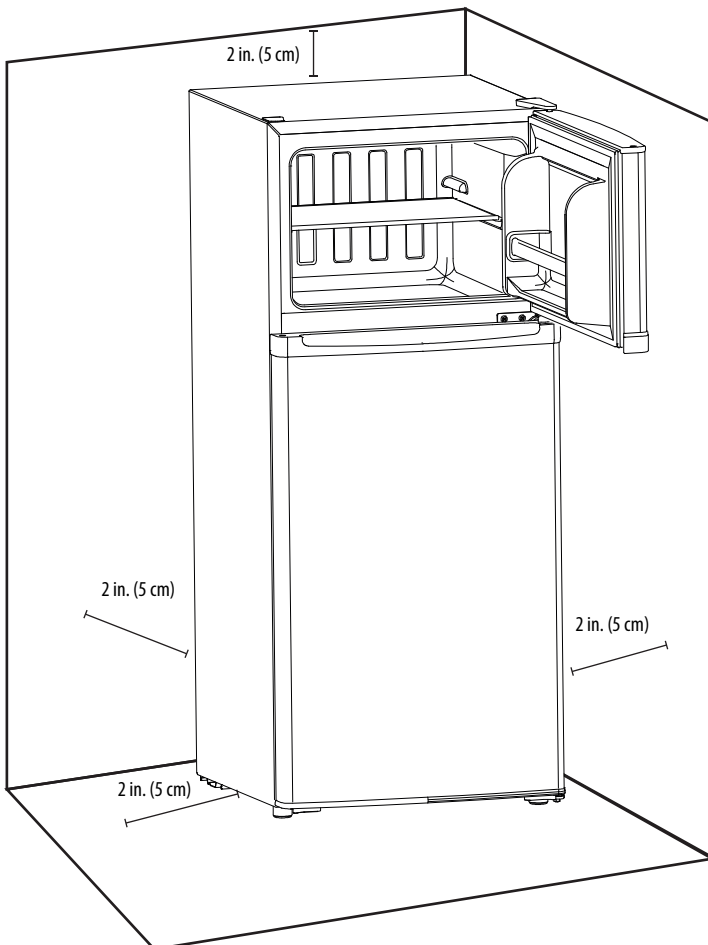
Finding a suitable location

- This refrigerator is designed to be free standing only, and should not be recessed or built-in.
- Place your refrigerator on a floor that is strong enough to support your refrigerator when it is fully loaded.
- Allow 2 in. (5 cm) of space between the top, back, and sides of your refrigerator and any surrounding walls. This allows the proper air ventilation. Adjust the feet to keep your refrigerator level.

- Locate your refrigerator away from direct sunlight and sources of heat (stove, heater, radiator, and so on). Direct sunlight may affect the acrylic coating and heat sources may increase electrical consumption. Ambient temperature below 50° F (10° C) or above 110° F (43.3° C) will hinder the performance of this refrigerator. This refrigerator can be placed in a temperature controlled garage, as long as the ambient temperature in the garage is not below 50° F (10° C) or above 110° F (43.3° C).
- Avoid locating your refrigerator in moist areas.
- This refrigerator can be placed on carpet, but care should be taken not to damage the carpet when moving your refrigerator.

Providing proper ventilation

Place your refrigerator at least 2 in. (5 cm) from top, back, and side walls to ensure proper airflow to the compressor. Do not place your refrigerator near any heat sources, such as a heater or stove, as this may put a strain on the compressor.



Leveling your refrigerator

- It is very important for your refrigerator to be level in order to function properly. If your refrigerator is not leveled during installation, the doors may not close or seal properly, causing cooling, frost, or moisture problems.
- To level your refrigerator, you may either turn the leveling foot clockwise to raise that side of your refrigerator or turn it counter-clockwise to lower that side.

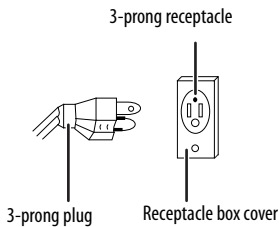
Note: Having someone push against the top of your refrigerator helps to take some weight off the leveling foot, making it easier to adjust.

Providing a proper power supply

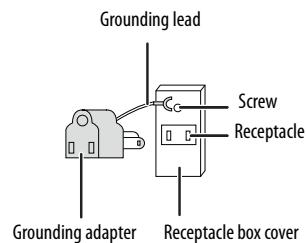
Check your local power source. This refrigerator requires a 110V-120V, 60Hz power supply.

Use a receptacle that accepts the grounding prong. The power cord is equipped with a 3-prong (grounding) plug which goes into a standard 3-prong (grounding) wall outlet to minimize the possibility of electric shock.

Using a 3-prong plug and outlet



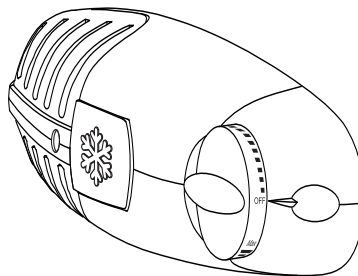
Using a grounding adapter



Notes:

- Your refrigerator should always be plugged into its own individual electrical outlet which has a voltage rating that matches the rating plate.
- Never unplug your refrigerator by pulling on the power cord. Always grip the plug firmly and pull straight out from the outlet.

Setting the thermostat



- 1 The first time you turn your refrigerator on, adjust the thermostat to **Max** and run for at least two hours before putting food in.
- 2 After it is fully cooled, the **Med** setting should be appropriate for home or office refrigerator use.

Notes:

- Turning the thermostat to the **OFF** position stops the cooling cycle but does not shut off the power to your refrigerator.
- If your refrigerator is unplugged or loses power, you must wait three to five minutes before restarting it. If you attempt to restart before this time delay, your refrigerator will not start.
- Large amounts of food will lower the cooling efficiency of your refrigerator.
- If you choose to change the thermostat setting, adjust it by one increment at a time. Allow several hours for the temperature to stabilize between adjustments.

Reversing the doors

Your refrigerator is built with reversible doors. Based on the location where you plan to use your compact refrigerator, you may find it more convenient to reverse the position of the doors, to have them open from right to left instead of left to right.

 **CAUTION**

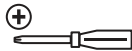
To avoid injury to yourself or your property, we recommend that someone assist you during the door reversal process.

Before you begin

You will need:

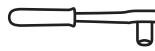


Adjustable wrench

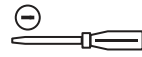


Phillips screwdriver

or



8mm socket wrench

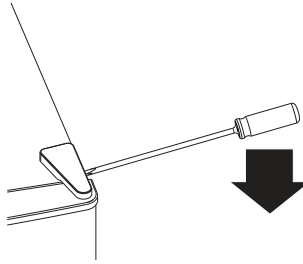


Flathead screwdriver

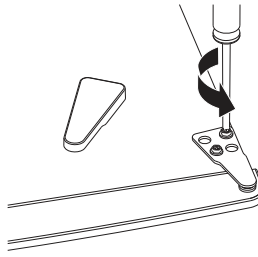
- Make sure that your refrigerator is unplugged and empty.
- Have someone available to assist you in the process.
- Keep all of the parts you remove to reuse them later.
- Removing the door requires that your refrigerator be tilted backwards. Rest your refrigerator on something solid, such as a chair, just below the top panel.
- Do not lay your refrigerator completely flat so that you do not damage the coolant system.

Removing the doors

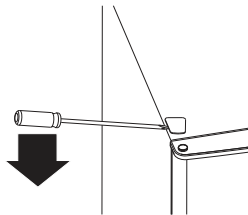
- 1 Using a flathead screwdriver, remove the top hinge cover and set it aside.



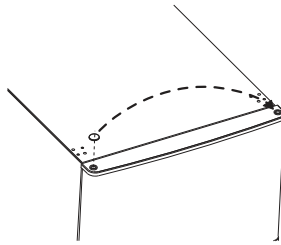
- 2 Using a Phillips screwdriver, remove the screws holding the top hinge to your refrigerator, then remove the hinge and set it aside.



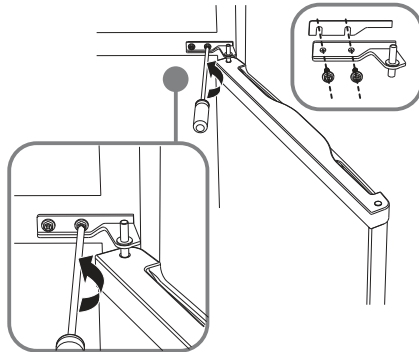
- 3 Using a flathead screwdriver, remove the hole cover from the top left side of your refrigerator.



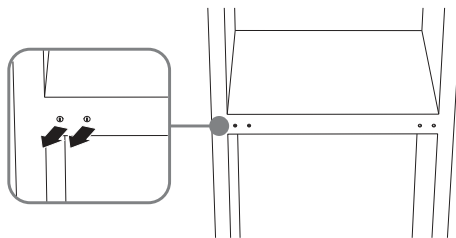
- 4 Move the core cover from the top left side of the freezer door to the top right side of the freezer door.



- 5 Lift the freezer door from the cabinet and set it on a padded surface to prevent scratches.
- 6 Using a Phillips screwdriver, remove the screws holding the middle hinge on your refrigerator, then remove the hinge.

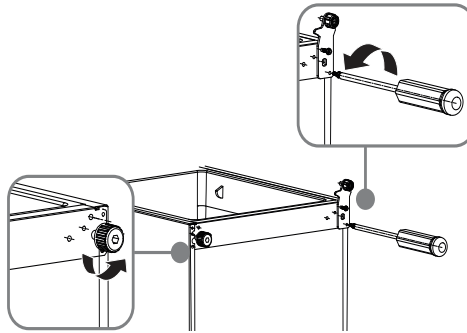


- 7 Lift the refrigerator door from your refrigerator and set it on a padded surface to prevent scratches.
- 8 Move the hinge hole covers from the left side of your refrigerator to the right side.

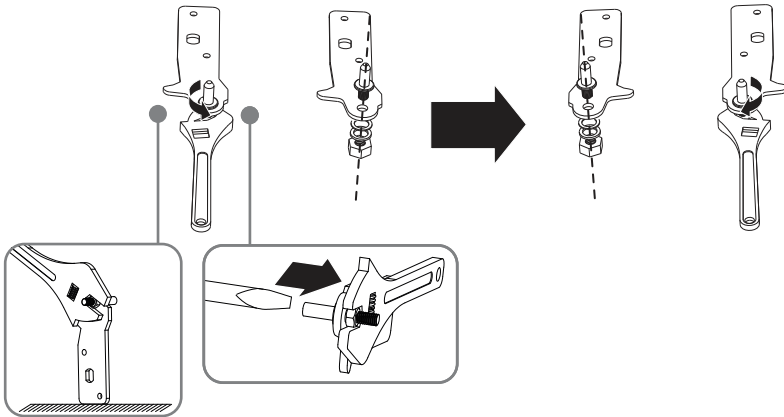


- 9 Lay your refrigerator down on a soft pad (to prevent scratching).

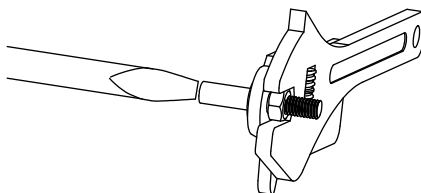
- 10** Using a Phillips screwdriver, remove the screws holding the bottom hinge on the bottom right side of your refrigerator, unscrew both adjustable feet, then remove adjustable feet and the hinge.



- 11** Using an adjustable wrench, unscrew the hinge pin from the hinge, turn the hinge over and replace the hinge pin on the other side. You may need extra leverage to remove the hinge pin. We advise holding the wrench with two hands, bracing the hinge on the floor, then turning it clockwise with the wrench.

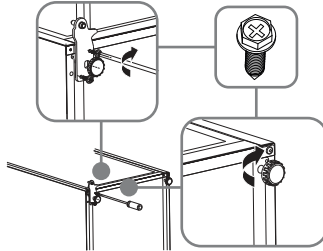


- 12** The hinge pin may be difficult to remove, as it may move with the wrench while you are trying to unscrew the retaining nut. If this is the case, you can use the wrench to immobilize the nut, holding the wrench and hinge together in the left hand, then use a flathead screwdriver in the right hand to unscrew the pin.

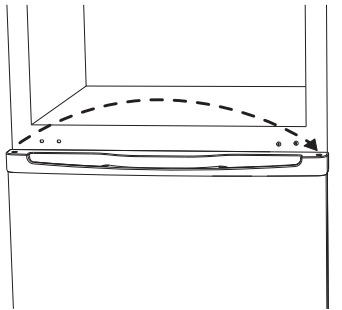


Reinstalling the doors

- 1 Using a Phillips screwdriver, mount the hinge on the bottom left side of your refrigerator, then replace the adjustable feet.

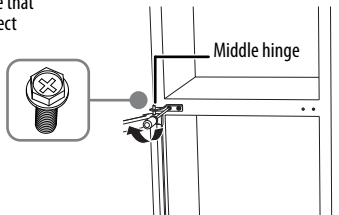


- 2 Stand your refrigerator up, then align the hole in the bottom left of the refrigerator door with the bottom hinge pin and install the door on the hinge pin.
- 3 Move the hinge hole cover from the top left side of the refrigerator door to the top right side.



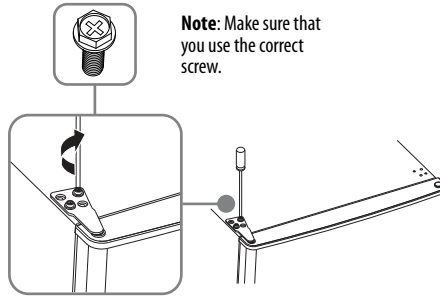
- 4 Install the middle hinge on the left side of your refrigerator with the screws you previously removed. Do not fully tighten the screws.

Note: Make sure that you use the correct screw.

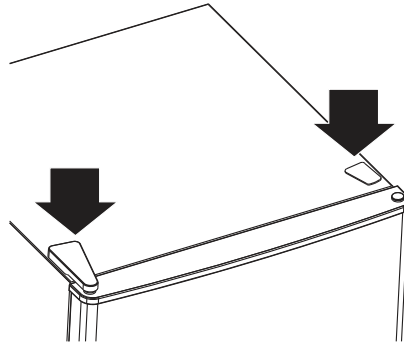


- 5 Check the fit and alignment of the door and make sure that it opens and closes freely, then tighten the screws holding the middle hinge.

- Align the hole in the bottom-left of the freezer door with the top pin in the middle hinge, then install the freezer door on the hinge pin.
- Place the top hinge pin into the top of the freezer door, then install the top hinge on the top left side of your refrigerator with the screws you previously removed.



- Check the fit and alignment (vertical and horizontal) of the door and make sure that it moves freely open and closed, then tighten the screws holding the top hinge.
- Replace the hinge cover and hole cover on the top of your refrigerator.



- Adjust the leveling feet to level your refrigerator.

Maintaining your refrigerator

Your refrigerator is designed for year-round use with only minimal cleaning and maintenance.

Cleaning your refrigerator

When you first receive it, wipe the case with a mild detergent and warm water, then wipe dry with a dry cloth. Do this periodically to keep your refrigerator looking new.

CAUTION

To prevent damage to the finish, do not use:

- Gasoline, benzine, thinner, or other similar solvents.
- Abrasive cleaners.

- 1 Turn off your refrigerator and unplug it from the wall outlet.
- 2 Remove all food.
- 3 Wash the inside with a damp warm cloth soaked in a solution of one quart of lukewarm water to two tablespoons of baking soda solution.
- 4 Be sure to keep the door gasket (seal) clean to keep your refrigerator running efficiently.
- 5 Dry the interior and exterior with a soft cloth.

Defrosting your refrigerator and freezer

This refrigerator is not designed to defrost automatically. In order to prevent damage to the interior liner of your refrigerator from excessive frost build-up, defrost your refrigerator every three months or when ice or frost is approximately 1/4 in. (0.6 cm) thick inside the freezer compartment.

- 1 Set the thermostat to **OFF**, then remove all contents from the freezer compartment.
- 2 Leave the freezer door open to allow accumulated ice and frost to melt. Remove large pieces of ice as needed.



CAUTION

- Do not use hot water or electric heating devices to melt the accumulated ice.
- Your refrigerator door must remain closed while defrosting the freezer.
- Do not use any sharp instruments because they are likely to scratch the surface.

- 3 After defrosting, remove accumulated ice and water, then wipe the freezer compartment dry with a soft cloth.
- 4 Even though ice is not visibly present in the freezer compartment, allow the evaporator, located behind the freezer wall, to completely defrost for approximately two hours (total) before restarting your refrigerator.
- 5 Restart following the instructions in [Setting the thermostat](#) on page 8.

Changing the interior light



CAUTION

- All parts removed must be saved to reinstall the light bulb.
- Before removing the light bulb, unplug your refrigerator from the power supply. Failure to do so could result in electrical shock or personal injury.

- 1 Hold the lamp cover and push toward the inside of the cabinet to remove it from the refrigerator compartment.
- 2 Unscrew the old bulb, then install the new bulb (10W/12E).
- 3 Re-install the lamp cover.

Shutting down your refrigerator

- 1 Turn off your refrigerator and unplug it from the wall outlet.
- 2 Remove all food.
- 3 Clean your refrigerator.

- 4 Leave the door open slightly to avoid possible formation of condensation, mold, or odor.

 **CAUTION**

Use extreme caution with children. Your refrigerator should not be accessible to child's play.

Moving your refrigerator

- 1 Turn off your refrigerator and unplug it from the wall outlet.
- 2 Remove all food.
- 3 Securely tape down all loose items inside your refrigerator.
- 4 Tape the doors shut.

 **WARNING**

Be sure your refrigerator stays in the upright position during transportation.

Tips on saving energy

- Locate your refrigerator in the coolest area of the room, away from heat producing appliances or heating ducts and out of direct sunlight.
- Let hot foods cool before placing them in your refrigerator. Overloading your refrigerator forces the compressor to run longer. Foods that freeze too slowly may lose quality or spoil.
- Wrap foods properly and wipe containers dry before placing them in your refrigerator. This cuts down on frost build-up inside your refrigerator.
- Organize and label food to reduce door openings and extended searches.

Troubleshooting

| PROBLEM | SOLUTION |
|--|--|
| My refrigerator does not work. | <ul style="list-style-type: none"> • Make sure that your refrigerator is securely plugged into a working outlet. • Make sure that your power source has the correct voltage. Your refrigerator's voltage rating is on a label on the back of your refrigerator. • Check the house fuse or circuit breaker box and replace the fuse or reset the circuit breaker. |
| The refrigerator compartment has a bad odor. | <ul style="list-style-type: none"> • Make sure that all food with a strong odor (like onions) is wrapped or stored in airtight packaging. • Certain containers and wrapping materials (such as paper, foil, or plastic) can cause odors. If you think this might be the case, try using different containers or a different brand of wrapping material. • Check for spoiled food and remove it. • Clean the inside of your refrigerator. See Maintaining your refrigerator on page 14. |

| PROBLEM | SOLUTION |
|---|--|
| My refrigerator doors do not close completely. | <ul style="list-style-type: none"> • Make sure that no food packages are in the way. • Make sure that the door gaskets (seals) are clean. See Maintaining your refrigerator on page 14. • If the door gasket does not seal, try heating then cooling the seal. You can use an electric hair dryer to heat the seal. • Make sure that your refrigerator is level. See Leveling your refrigerator on page 8. • Make sure that the top of your refrigerator is tilted backward about .4 in. (10 mm) to .6 in. (15 mm). See Leveling your refrigerator on page 8. |
| The temperature is too hot. | <ul style="list-style-type: none"> • You may have left the doors open too long or opened them too frequently. • Make sure that no obstacle is keeping the doors from closing correctly. • Adjust the refrigerator or freezer compartment temperature. See Setting the thermostat on page 8. • Your refrigerator may not have enough clearance from walls or the ceiling. See Providing proper ventilation on page Z. |
| The temperature is too cold. | <ul style="list-style-type: none"> • Adjust the refrigerator or freezer compartment temperature. See Setting the thermostat on page 8. |
| A layer of frost occurs in one of the compartments. | <ul style="list-style-type: none"> • A layer of frost may occur on the compartment's interior walls if the freezer is opened frequently or kept open too long. • Make sure that the air outlets are not blocked by food. • Make sure that the doors are fully closed. • To remove the frost, see Defrosting your refrigerator and freezer on page 15. |
| My refrigerator door is hard to open. | <ul style="list-style-type: none"> • When you open your refrigerator door, warm air rushes inside. When you close the door, the warm air rushes to the condenser which causes a vacuum. This causes the door to be hard to open for about 10 to 15 seconds after closing. • If the door is hard to open at other times, try rubbing paraffin wax or petroleum jelly along the edges of the entire gasket. Paraffin wax is used for canning and is safe for use around food. |
| The compressor runs for a long time or turns on and off frequently. | <p>The compressor runs longer if:</p> <ul style="list-style-type: none"> • The room temperature is high. • You just added a large amount of food. Wait for the food to freeze, then check again. • You open and close the door frequently. • The door gasket is dirty. Clean the gasket. See Maintaining your refrigerator on page 14. • Your refrigerator has been disconnected for a period of time. Wait for your refrigerator to cool (about four hours) before adding food. • You have the temperature set too low. |

| PROBLEM | SOLUTION |
|---|---|
| The light inside my refrigerator does not turn on. | <ul style="list-style-type: none"> • Make sure that your refrigerator is plugged into a working outlet. • If a door stays open too long, your refrigerator automatically turns off the light. • Close then open the door again. • Check to see if the light is damaged. If the light is damaged, have it replaced by a qualified service technician. See Changing the interior light on page 15. |
| My refrigerator makes unusual noises or vibrations. | <p>The following sounds are normal:</p> <ul style="list-style-type: none"> • Compressor running noises. • Air movement noise from the small fan motor in the freezer compartment or other compartments. • Gurgling sound similar to water boiling. • Clicking noise before the compressor starts. <p>Other unusual noises or vibrations may occur:</p> <ul style="list-style-type: none"> • If you have items on the top of your refrigerator. Remove the items. • If your refrigerator is not level. See Leveling your refrigerator on page 8. • If your refrigerator is touching walls. Move it away from the walls. • If the shelves or drawers are installed incorrectly. |
| The outside of my refrigerator is hot. | <p>Heat dissipation from the condenser may make the outside feel hot. This is normal and happens if:</p> <ul style="list-style-type: none"> • The room temperature is high. • You have too much food in your refrigerator. • You open and close the doors excessively. |
| Water condenses on the outside of my refrigerator. | <ul style="list-style-type: none"> • Condensation on the exterior surface and door seal is normal when the room humidity is high. • When you open the door, warm, moist outside air meets the cold dry air inside your refrigerator. This is normal. |

Specifications

| | |
|----------------------------|--|
| Dimensions (HxWxD) | 44 7/16 x 18 3/4 x 19 1/8 in. (112.7 x 47.4 x 48.6 x cm) |
| Weight | 61.7 lbs. (28 kg) |
| Total capacity | 4.5 cu. ft. (.127 cu. m) |
| Refrigerator capacity | 3.3 cu. ft. (.09 cu. m) |
| Freezer capacity | 1.2 cu. ft. (.03 cu. m) |
| Power requirements | 115 V~60 Hz |
| Current | 1.4 A |
| Power consumption (annual) | 327 kWh |
| Power cord length | 5.1 ft. (155 cm) |

ONE-YEAR LIMITED WARRANTY

Best Buy, or its Authorized Partner of Insignia branded products, warrants to you, the original purchaser of this new Insignia branded product ("Product"), that the Product shall be free of defects in the original manufacture of the material or workmanship for a period of one (1) year from the date of your purchase of the Product or the date of delivery (if later than the date of purchase) ("Warranty Period").

For this warranty to apply, your Product must be (i) purchased in the United States or Canada from a Best Buy branded retail store, online at www.bestbuy.com or www.bestbuy.ca, or from Best Buy's Authorized Partner, and (ii) packaged or sold with this warranty statement.

The term "Best Buy", as used in this warranty, refers to Best Buy branded retail stores, www.bestbuy.com, www.bestbuy.ca, and Best Buy's Authorized Partner.

Because Insignia cannot control the quality of products sold by unauthorized sellers, this warranty applies only to Products that were purchased from Best Buy or an Insignia Authorized Partner, unless otherwise prohibited by law. Insignia reserves the right to reject warranty claims for Products purchased from unauthorized sellers, including unauthorized websites.

REPAIR OR REPLACEMENT, AS PROVIDED UNDER THIS WARRANTY, IS YOUR EXCLUSIVE REMEDY FOR BREACH OF WARRANTY. INSIGNIA SHALL NOT BE LIABLE FOR ANY INCIDENTAL OR CONSEQUENTIAL DAMAGES FOR THE BREACH OF ANY EXPRESSED OR IMPLIED WARRANTY ON THIS PRODUCT, INCLUDING, BUT NOT LIMITED TO, LOST DATA, LOSS OF USE OF YOUR PRODUCT, LOST BUSINESS, OR LOST PROFITS. INSIGNIA PRODUCTS MAKES NO OTHER EXPRESS WARRANTIES WITH RESPECT TO THE PRODUCT. ALL EXPRESSED AND IMPLIED WARRANTIES FOR THE PRODUCT, INCLUDING BUT NOT LIMITED TO ANY IMPLIED WARRANTIES OF AND CONDITIONS OF MERCHANTABILITY AND FITNESS FOR A PARTICULAR PURPOSE, ARE LIMITED IN DURATION TO THE WARRANTY PERIOD SET FORTH ABOVE AND NO WARRANTIES, WHETHER EXPRESSED OR IMPLIED, WILL APPLY AFTER THE WARRANTY PERIOD. SOME STATES, PROVINCES, AND JURISDICTIONS DO NOT ALLOW LIMITATIONS ON (i) HOW LONG AN IMPLIED WARRANTY LASTS, (ii) EXCLUSION OR LIMITATION OF INCIDENTAL OR CONSEQUENTIAL DAMAGES, or (iii) LIMITATION OF INCIDENTAL OR CONSEQUENTIAL DAMAGES, SO THE ABOVE LIMITATIONS OR EXCLUSIONS MAY NOT APPLY TO YOU. THIS WARRANTY GIVES YOU SPECIFIC LEGAL RIGHTS, AND YOU MAY ALSO HAVE OTHER RIGHTS, WHICH VARY FROM STATE TO STATE OR PROVINCE TO PROVINCE.

How long does the coverage last?

The Warranty Period lasts for 1 year (365 days) from the date you purchased the Product or the date of delivery (if later than the date of purchase). Your purchase date is printed on the receipt you received with the Product. In the event that Authorized Partner ceases to sell the covered Insignia branded product, this warranty shall terminate for that product and there shall be no repair or replacement of the Product.

What does this warranty cover?

During the Warranty Period, if the original manufacture of the material or workmanship of the Product is determined to be defective by an authorized Insignia repair center or store personnel, Insignia will (at its sole option): (1) repair the Product with new or rebuilt parts; or (2) replace the Product at no charge with new or rebuilt comparable products or parts. Products and parts replaced under this warranty become the property of Insignia and are not returned to you. If service of Products or parts are required after the Warranty Period expires, you must pay all labor and parts charges. This warranty lasts as long as you own your Insignia Product during the Warranty Period. Warranty coverage terminates if you sell or otherwise transfer the Product.

How to obtain warranty service?

If you purchased the Product at a Best Buy retail store location or from a Best Buy online website (www.bestbuy.com or www.bestbuy.ca), please take your original receipt and the Product to any Best Buy store. Make sure that you place the Product in its original packaging or packaging that provides the same amount of protection as the original packaging. If you purchased your Product from an Authorized Partner, call Insignia at 1-877-467-4289.

To obtain warranty service, in the United States and Canada call 1-877-467-4289. Call agents may diagnose and correct the issue over the phone.

If you purchased the Product from an Authorized Partner other than Best Buy, please call 1-888-BESTBUY in the United States or 1-866-BESTBUY in Canada. You will be asked to provide proof of purchase and to return your Product to Best Buy. Make sure that you put the Product in its original packaging or packaging that provides the same amount of protection as the original packaging.

Where is the warranty valid?

This warranty is valid only in the United States and Canada to the original purchaser of the product from an Authorized Partner, in the country where the original purchase was made.

What does the warranty not cover?

This warranty does not cover:

- Food, beverage, and or medicine loss/spoilage.
- Damage to other products caused by a power surge or other similar issue while connected to the Product.
- Customer instruction/education.
- Installation.
- Set up adjustments.
- Cosmetic damage.
- Damage due to weather, lightning, and other acts of God, such as power surges.
- Accidental damage.
- Misuse.
- Abuse.
- Negligence.
- Commercial purposes/use, including but not limited to use in a place of business or in communal areas of a multiple dwelling condominium or apartment complex, or otherwise used in a place of other than a private home.
- Modification of any part of the Product, including the antenna.
- Display panel damaged by static (non-moving) images applied for lengthy periods (burn-in).
- Damage due to incorrect operation or maintenance.
- Connection to an incorrect voltage or power supply.
- Damage due to attempted repair by any person not authorized by Insignia to service the Product.
- Products sold "as is" or "with all faults".
- Consumables, including but not limited to batteries (i.e. AA, AAA, C etc.).
- Products where the factory applied serial number has been altered or removed.
- Loss or Theft of this product or any part of the product.
- Display panels containing up to three (3) pixel failures (dots that are dark or incorrectly illuminated) grouped in an area smaller than one tenth (1/10) of the display size or up to five (5) pixel failures throughout the display. (Pixel based displays may contain a limited number of pixels that may not function normally.).
- Failures or Damage caused by any contact including but not limited to liquids, gels or pastes.

Contact Insignia:

1-877-467-4289

www.insigniaproducts.com

INSIGNIA is a trademark of Best Buy and its affiliated companies.

*Distributed by Best Buy Purchasing, LLC

7601 Penn Ave South, Richfield, MN 55423 U.S.A.

©2025 Best Buy. All rights reserved.

INSIGNIA™

www.insigniaproducts.com

1-877-467-4289 (U.S. and Canada)

INSIGNIA is a trademark of Best Buy and its affiliated companies.

Distributed by Best Buy Purchasing, LLC

7601 Penn Ave South, Richfield, MN 55423 U.S.A.

©2025 Best Buy. All rights reserved.

V1 ENGLISH
25-0073