

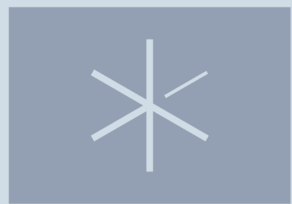
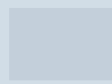


User Guide

Quality, Design and Innovation









home.liebherr.com/fridge-manuals



LIEBHERR



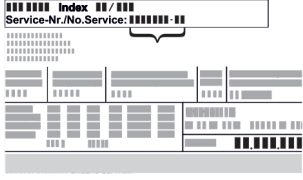






Contents

1	General safety instructions.....	3
2	Appliance at a glance.....	4
2.1	Scope of supply.....	4
2.2	Overview of the appliance and equipment.....	4
2.3	Special features.....	4
2.4	Range of use of appliance.....	4
2.5	Appliance noise emissions.....	5
2.6	Conformity.....	5
2.7	SVHC substances according to REACH regulation.....	5
2.8	EPREL database.....	5
3	Setting up and connecting.....	5
3.1	Installation requirements.....	5
3.2	Appliance dimensions.....	6
3.3	Transporting the appliance.....	6
3.4	Unpacking appliance.....	6
3.5	Replacing the door hinge.....	6
3.6	Aligning the door.....	15
3.7	Installing door handle.....	15
3.8	Installing appliance.....	15
3.9	Setting up the appliance so it is level.....	15
3.10	Installing multiple appliances.....	15
3.11	After installation.....	16
3.12	Disposing of packaging.....	16
3.13	Connecting the appliance to the power supply.....	16
4	Functionality of the display.....	16
4.1	Navigation by touchbutton and symbol explanation.....	16
4.2	Menus.....	17
5	Putting into operation.....	18
5.1	Switching on device (first use).....	18
6	Storage.....	18
6.1	Information regarding storage.....	18
6.2	Storage times.....	18
7	Controls.....	19
7.1	Operating controls and display elements.....	19
7.1.1	Temperature display/Status indicator.....	19
7.1.2	LED behaviour.....	19
7.1.3	Audible signals.....	19
7.2	Appliance functions.....	19
7.2.1	Notes on the appliance functions.....	19
	Switching the appliance off and on.....	19
		
	Temperature.....	20
	Presentation light.....	20
	Input lock.....	20
	Demo mode.....	20
	Resetting to factory settings.....	21
7.3	Messages.....	21
7.3.1	Ending messages.....	21
8	Features.....	21
8.1	Safety lock.....	21
9	Maintenance.....	21
9.1	Defrosting appliance.....	21
9.2	Cleaning the appliance.....	22
10	Customer help.....	22
10.1	Technical specifications.....	22
10.2	Technical fault.....	23
10.3	Customer Service.....	23

10.4	Type plate.....	23
11	Shutting down.....	23
12	Disposal.....	24
12.1	Preparing appliance for disposal.....	24
12.2	Disposing of the appliance in an environmentally friendly manner.....	24
13	Additional information.....	24

The manufacturer is continually working on the further development of all types and models. Please be aware that we reserve the right to make changes to the shape, equipment and technology.

Symbol	Explanation
	Read instructions Please read the information in these instructions carefully to understand all of the benefits of your new appliance.
	Additional information on the Internet The digital manual with additional information and in other languages can be found via the QR code on the front of the manual or by entering the service number at home.liebherr.com/fridge-manuals . The service number can be found on the serial tag:  <i>Fig. Example illustration</i>
	Check appliance Check all parts for transport damage. If you have any complaints, please contact your agent or customer service.
	Differences These instructions apply to a range of models, so differences are possible. Sections that apply to certain models only are marked with an asterisk (*).
	Instructions and results Instructions are marked with a ▶. Results are marked with a ▷.
	Videos Videos about the appliances are available on the YouTube channels of Liebherr-Hausgeräte.

Open source licences:

The appliance contains software components that use open source licences. Information on the open source licences used can be found here: home.liebherr.com/open-source-licences

These operating instructions apply to:

- MRTve 1501
- MRTve 1511

1 General safety instructions

Please keep these operating instructions in a safe place so you can refer back to them at any time.

If you pass the appliance on, please hand these operating instructions to the next user.

Read these operating instructions carefully before use to ensure safe and correct use of the appliance. Follow the instructions, safety instructions and warning messages included at all times. They are important for ensuring you can operate and install the appliance safely and without any problems.

Danger for the user:

- This device can be used by children aged 8 and above and people with impaired physical, sensory or mental abilities or with a lack of experience and knowledge provided that they are supervised or have received instruction in the safe use of this appliance, and about the resulting hazards. Children must not play with this appliance. Cleaning and user maintenance work must not be carried out by children without adult supervision.
- The socket must be easily accessible so that the appliance can be disconnected quickly from the electricity supply in an emergency. It must not be located in the area behind the appliance.
- When disconnecting the appliance from the supply, always take hold of the plug. Do not pull the cable.
- In the event of a fault pull out the mains plug or deactivate the fuse.
- **WARNING:** Do not damage the mains power cable. Do not operate the appliance with a defective mains power cable.
- **WARNING:** Multiple sockets/distributors and other electronic equipment (such as halogen transformers) must not be placed or operated at the rear of the appliance.
- **WARNING:** Keep ventilation openings, in the appliance enclosure or in the built-in structure, clear of obstruction.
- Only customer service or other specially trained staff may repair or perform other operations on the appliance.
- Only assemble, connect and dispose of the appliance according to the instructions.

Fire hazard

- The coolant used (information on the model plate) is ecofriendly but also flammable. Any leaking coolant may ignite.
 - **WARNING:** Do not damage refrigeration circuit.
 - Do not handle ignition sources inside the appliance.
 - **WARNING:** Do not use electrical appliances in the fridge compartment which do not comply with the design recommended by the manufacturer.
 - If the refrigerant leaks: remove any naked flames or ignition sources from the vicinity of the leakage point. Properly air the room. Inform customer services.
- Do not operate the appliance close to explosive gases.
- Do not store or use petrol or other flammable gases and liquids close to the appliance.
- Do not store any explosive substances, such as aerosol containers with flammable propellant gas, in the appliance. To identify these spray cans, look for the list of contents printed on the can, or a flame symbol. Gases possibly escaping may ignite due to electrical components.
- Keep burning candles, lamps and other items with naked flames away from the appliance so that they do not set the appliance on fire.
- Please be sure to store alcoholic drinks or other packaging containing alcohol in tightly closed containers. Any alcohol that leaks out may be ignited by electrical components.

Danger of tipping and falling:

- Do not misuse the plinth, drawers, doors etc. as a step or for support.

Danger of frostbite, numbness and pain:

- Avoid prolonged skin contact with cold surfaces or refrigerated/frozen goods or take protective measures, e.g. wear gloves.

Danger of injury and damage:

- **WARNING:** Do not use mechanical equipment or other methods to speed up the defrosting process other than those recommended by the manufacturer.
- **WARNING:** Risk of injury due to electric shock! There are live electrical parts under the cover. Only have the LED interior lighting replaced or repaired by customer service or other suitably trained professionals.*
- **NOTICE:** Appliance must only be used using original manufacturer accessories or using accessories from other providers approved by the manufacturer. The user bears the risk of using accessories which are not approved.

Risk of crushing

- Do not hold the hinge when opening and closing the door. Fingers may get caught.

Specialist personnel qualifications:

Specialist personnel are persons who, on account of their specialist training, knowledge and experience as well as their knowledge of the relevant standards, are able to assess and perform the work assigned to them and identify potential hazards. They must have training, instruction, and authorisation to work on the appliance.

Symbols on the appliance:



This symbol may be located on the compressor. It relates to the oil in the compressor and makes reference to the risk that **swallowing or inhaling can be fatal**. This advice is only relevant to recycling. There is no danger in normal operation.






WARNING: Danger of fire / flammable materials. This symbol is located on the compressor and indicates the danger of flammable materials. Do not remove the sticker.



This or a similar sticker may be located on the rear of the appliance. This sticker indicates that there are vacuum insulation panels (VIP) or perlite panels in the door and/or housing. This advice is only relevant to recycling. Do not remove the sticker.

Please note the warning messages and other specific advice in the other chapters:

	DANGER	Indicates an immediately hazardous situation which will lead to death or serious injuries if it is not avoided.
	WARNING	Indicates a hazardous situation which will lead to death or serious injuries if it is not avoided.
	CAUTION	Indicates a hazardous situation which will lead to minor or moderate injuries if it is not avoided.
	NOTICE	Indicates a hazardous situation which may lead to damage to property if it is not avoided.

Appliance at a glance

Note	Indicates useful instructions and tips.
-------------	---

2 Appliance at a glance

2.1 Scope of supply

Check all parts for transport damage. If you have any complaints, please contact your dealer or Customer Service. (see 10.3 Customer Service)

The delivery comprises the following parts:

- Free-standing appliance
- Equipment *
- Installation materials *
- Operating instructions
- Service brochure
- Quality certificate *
- Mains cable

2.2 Overview of the appliance and equipment

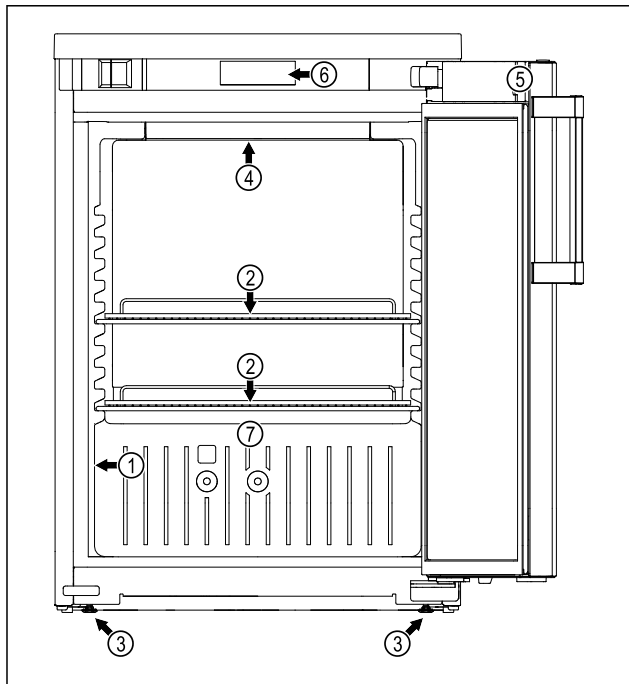


Fig. 1 Example illustration

- | | |
|------------------------|--------------------------------------|
| (1) Type plate | (5) Lock |
| (2) Shelves | (6) Controls and temperature display |
| (3) Adjustable foot | (7) Defrost water drain |
| (4) Interior lighting* | |

2.3 Special features

Note

You can obtain accessories from customer service (see 10.3 Customer Service) or from specialised dealers via the dealer search on our service page on the Internet:

home.liebherr.com

2.4 Range of use of appliance

Intended use

This fridge is appropriate for professional use in the commercial environment and in retail. It may be used for the storage, presentation and sale of chilled packaged food-stuffs and beverages. It is appropriate for the removal of chilled goods by customers.

The appliance is only designed for use in closed rooms.

All other types of use are not permitted.

Foreseeable incorrect use

The following uses are expressly forbidden:

- Storage and refrigeration of:
 - Chemically unstable flammable or corrosive substances
 - Medicines, blood plasma, laboratory preparations or similar substances and products based on the Medical Device Directive 2007/47/EC
- Use in potentially explosive atmospheres
- Use outdoors or in areas exposed to dampness and splashing water

Improper use of the appliance will result in goods stored being damaged or spoiled.

Climate classes

The applicable climate class for your appliance is printed on the type plate.

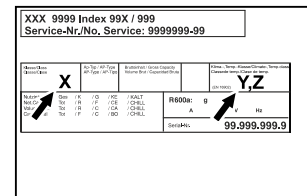


Fig. 2 Type plate

(X) The climate class states the ambient conditions in which the appliance can be operated safely.

(Y) The climate class defines the maximum parameters within which the appliance will function smoothly.

(Z) The temperature class indicates the temperature setting at which the appliance will function smoothly.

Climate class (X)	Max. room temperature	Max. rel. humidity
3	+25 °C	60 %
4	+30 °C	55 %
5	+40 °C	40 %
7	+35 °C	75 %

Note

The minimum permitted room temperature at the setup location is +10 °C.

At limit conditions, slight condensation may form on the glass door and on the side walls.

Climate class (Y)	Max. room temperature	Max. rel. humidity
CC1	+25.5 °C	60 %
CC2	+32.2 °C	65 %
CC3	+40.6 °C	75 %

Recommended temperature setting:	
Temperature class (Z)	Temperature setting
K1	+3.5 °C
K2	+2.5 °C
K3	-1 °C
K4	+5 °C
M1	+5 °C
M2	+7 °C

2.5 Appliance noise emissions

The A-weighted emission sound pressure level during operation of the appliance is under 70 dB(A) (sound power rel. 1 pW).

2.6 Conformity

The coolant circuit has been tested for leak-tightness. The appliance complies with the relevant safety regulations.

EU Declaration of Conformity	
Manufacturer/Exhibitor:	LIEBHERR-HAUSGERÄTE LIENZ GMBH
Address:	A-9900 Lienz, Dr. Hans Liebherr Straße 1
The designated product complies with the provisions of the following European directives and regulations: (EU) 2019/2020, (EU) 2019/2024, (EU) 2019/2018, (EU) 2017/1369, 2006/42/EC, 2014/30/EU, 2009/125/EC, 2011/65/EU	
The full text of the EU Declaration of Conformity is available at the following web address: www.liebherr.de	

2.7 SVHC substances according to REACH regulation

You can check whether your appliance contains SVHC substances according to REACH regulation at the following link: home.liebherr.com/de/deu/de/liebherr-erleben/nachhaltigkeit/umwelt/scip/scip.html

2.8 EPREL database

Details about the labelling of energy consumption and ecodesign requirements will be available on the European Product Database (EPREL) from 1 March 2021. You can access the product database at the following link: <https://eprel.ec.europa.eu/>. You will be asked to enter the model identification. The model identification can be found on the type plate.

3 Setting up and connecting

3.1 Installation requirements

The installation conditions are crucial to ensure that you can operate your appliance safely, efficiently and without problems.

- Observe all safety instructions.
- Consider the location and position in the room.



WARNING

Danger of fire due to incorrect positioning!

If the mains cable or plug touches the back of the appliance, the vibration can damage the mains cable or the plug resulting in a short circuit.

- ▶ Make sure the mains cable is not trapped under the appliance when you position the appliance.
- ▶ Stand the appliance so that it is not touched by connectors or main cables.
- ▶ Do not connect any appliances to sockets in the area of the back of the appliance.
- ▶ Do **not** place and operate multi-sockets/power distributors and other electronic devices (such as halogen transformers) at the back of the appliances.



WARNING

Fire hazard due to dampness!

If live parts or the mains lead become damp this may cause short circuits.

- ▶ The appliance is designed for use in enclosed areas. Do not operate the appliance outdoors or in areas where it is exposed to splash water or damp conditions.



WARNING

Leaking coolant and oil!

Fire. The coolant contained in the appliance is eco-friendly, but also flammable. The oil contained in the appliance is flammable. Escaping coolant and oil can ignite if the concentration is high enough and in contact with an external heat source.

- ▶ Do not damage the pipelines of the coolant circuit and the compressor.

3.1.1 Installation site

- A dry and well-ventilated room is an optimum installation location.
- If the appliance is installed in a very damp environment, condensation may form on the appliance exterior. Always make sure there is good ventilation and aeration at the installation site.
- The more refrigerant there is in the appliance, the larger than room must be in which it is located. In rooms that are too small, a leak can produce a flammable gas/air mixture. For every 8 g of refrigerant, the installation room must be at least 1 m³ in size. Information on the refrigerant contained is given on the type plate inside the appliance.
- The floor on which the appliance stands must be horizontal and level.
- The site of use must be able to bear the weight of the device including the maximum load. (see 10.1 Technical specifications)

3.1.2 Position in space

- Do not place the appliance in direct sunlight or near radiators or similar sources of heat.
- Always position the appliance with the rear directly on the wall.
- If the appliance is set up at a height, the anti-tipping device must be fitted.
If the appliance is installed on top of another appliance, the connection frame with anti-tipping device (included in the connection frame) must be installed.
If the appliance is placed on a plinth with casters, the plinth must be fitted with an anti-tipping device (included with the plinth).

Setting up and connecting

If the appliance is installed on a foot plinth, the foot plinth must be fitted with an anti-tipping device (included in the foot plinth).

The anti-tipping device is available from the Liebherr-Hausgeräte shop at home.liebherr.com/shop/de/deu/zubehor.html.

- Use in hazardous areas is not permitted.

3.1.3 Loading the top of the appliance

You can use the top of the appliance as a shelf.

Ensure that the following requirements are met so that damage does not occur.

- The table top is fitted to the appliance.
- The maximum load is 50 kg.
- The load is distributed evenly over the top of the appliance.
- The ventilation grilles are clear.

3.2 Appliance dimensions

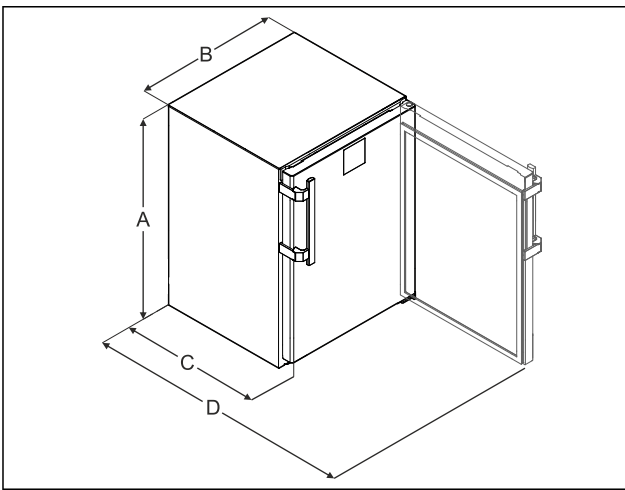


Fig. 3 Example illustration

- (A) Device height including feet/rollers
- (B) Device width without handle [handle depth = 45 mm [1 6/8 in]]
- (C) Device depth without handle [handle depth = 45 mm [1 6/8 in]]
- (D) Device depth with door open

A	852 mm
B	600 mm
C	648 mm
D	1162 mm

3.3 Transporting the appliance



WARNING

Risk of injury due to broken glass!*
When transporting at an altitude of more than 1500 m, the glass panes of the door may break. This can result in sharp-edged fragments, which can cause serious injuries.

- ▶ Take appropriate protective action.

3.3.1 Transporting the appliance for initial use

Ensure that the following requirements are met:

- The appliance is packaged.
- The appliance is upright.
- ▶ Transport the appliance with the help of two people.
- ▶ Unpacking the appliance.

3.3.2 Transporting the appliance after initial use

Observe the following instructions if you wish to transport or move the appliance again after initial use.

Ensure that the following requirements are met:

- The appliance is emptied.
- The appliance is upright.
- Appliance with door(s): Door is secured against accidental opening.
- Appliance with telescopic unit: The telescopic unit is secured against accidental opening.
- Appliance with adjustable feet: Adjustable feet are screwed in.
- ▶ Transport the appliance with the help of two people.

After transport:

- ▶ Unscrew the adjustable feet on the appliance.
- ▶ Align the appliance.

3.4 Unpacking appliance

- ▶ Check the appliance and the packaging for damage during transport. Contact the supplier immediately if you suspect any damage. Do not connect appliance to the power supply.
- ▶ Remove all packaging materials from the rear or the side walls of the fridge that may prevent proper installation or prevent air flow and ventilation.

3.5 Replacing the door hinge

3.5.1 Safety instructions



WARNING

Risk of injury if the door is not reversed correctly!
▶ Replace the door hinge with specialist personnel.



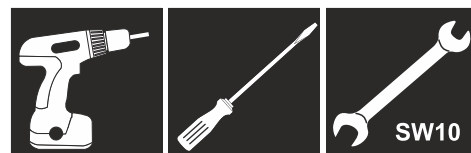
WARNING

Risk of injury and material damage due to door weight!
▶ Only change the door hinge if you can carry a weight of 15 kg.
▶ Change the door hinge with two people.

NOTICE

Live parts!
Damage to electrical components.
▶ Remove the mains plug before you reverse the door.

3.5.2 Tool





3.5.3 Removing the worktop*

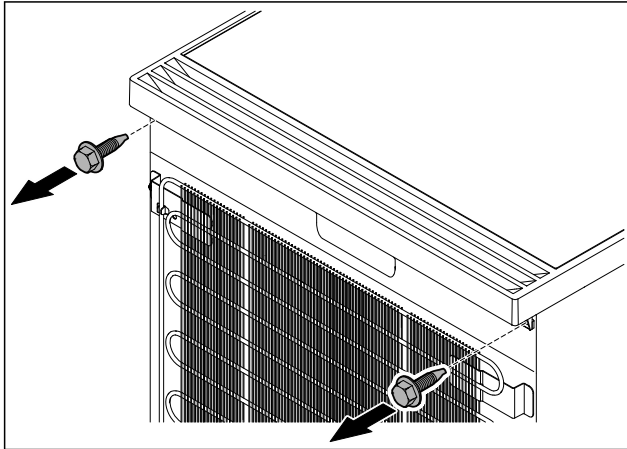


Fig. 4

- ▶ Loosen the screws.

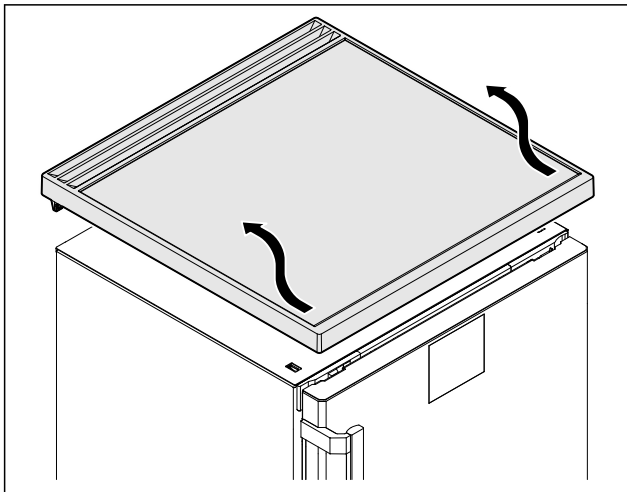


Fig. 5

- ▶ Remove the worktop.

3.5.4 Removing covers

- ▶ Open the door.

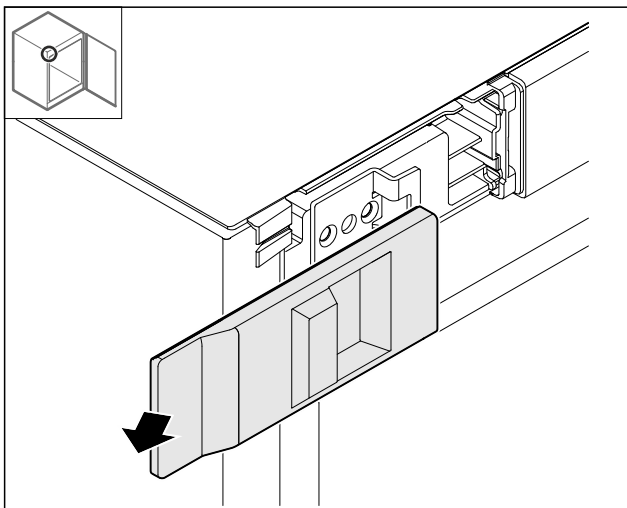


Fig. 6

- ▶ Remove the cover.

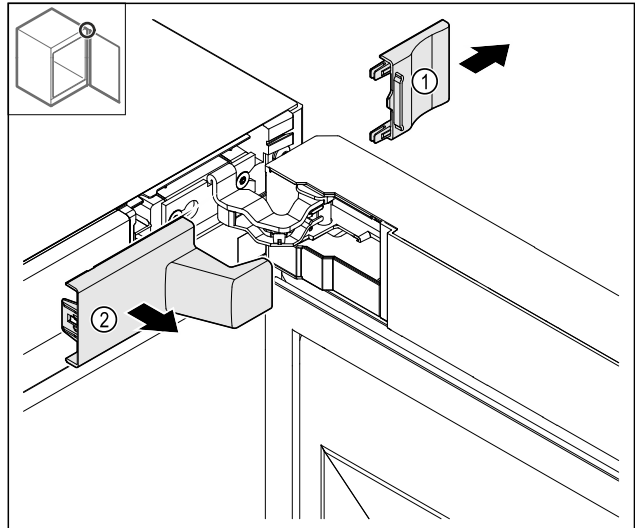


Fig. 7

- ▶ Remove the cover Fig. 7 (1) and then Fig. 7 (2).

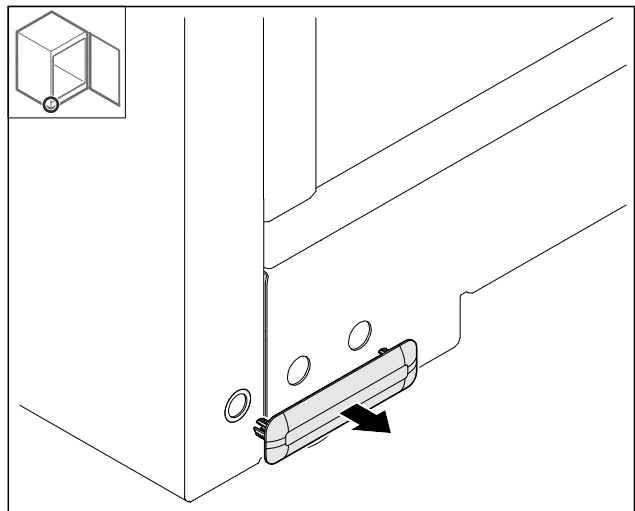


Fig. 8

- ▶ Remove the cover.

3.5.5 Removing the door

NOTICE

Risk of injury if the door tips out!

- ▶ Hold the door.

Setting up and connecting

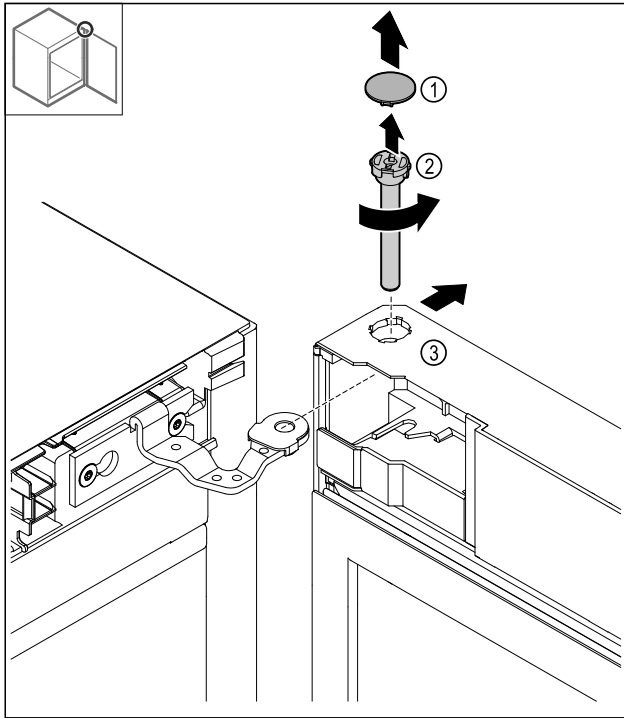


Fig. 9

- ▶ Removing the cover Fig. 9 (1).
- ▶ Loosen the bolt Fig. 9 (2) anti-clockwise and pull it out.
- ▶ Tilt the door Fig. 9 (3) slightly.

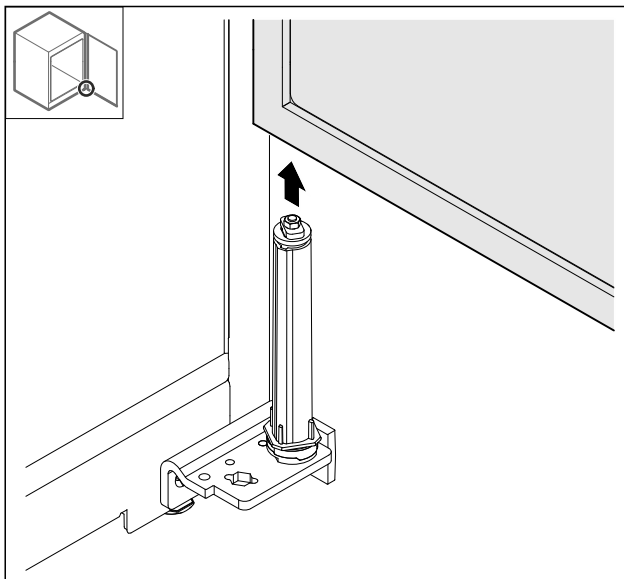


Fig. 10

- ▶ Remove the door upwards.
- ▶ Place the door on a soft surface.

3.5.6 Re-locating the top cover

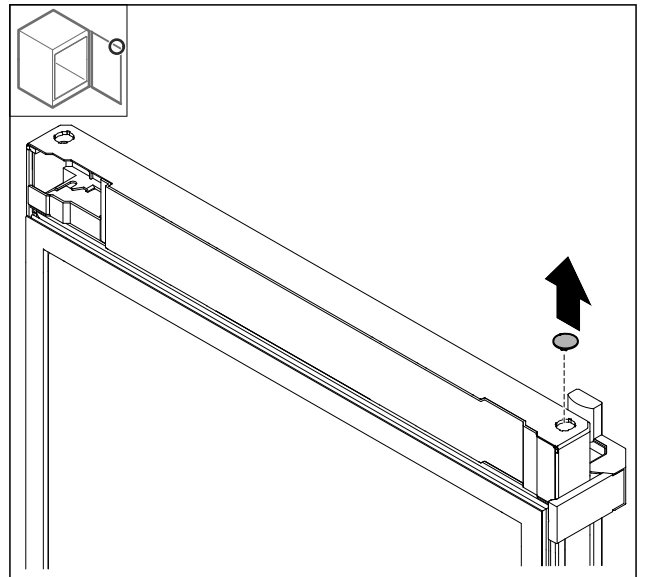


Fig. 11

- ▶ Remove the cover.

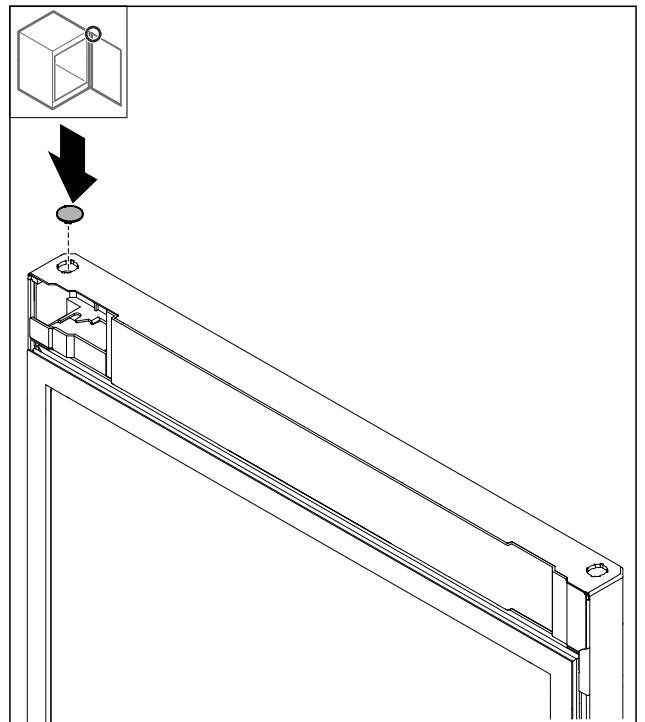


Fig. 12

- ▶ Insert the cover.

3.5.7 Relocating the stop plate

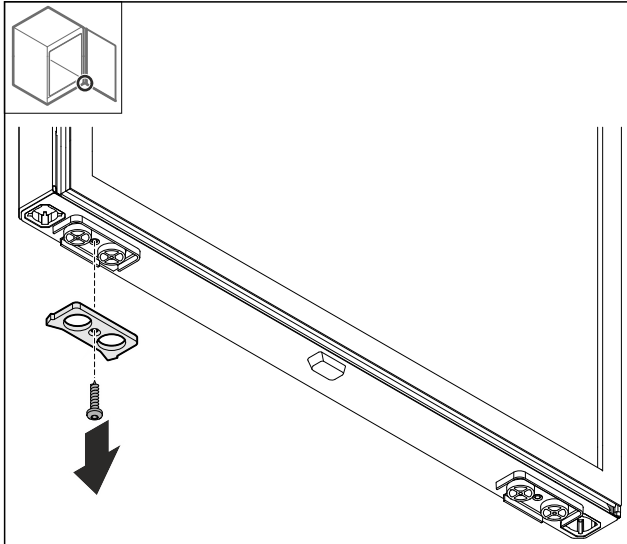


Fig. 13

- ▶ Detach the stop plate.

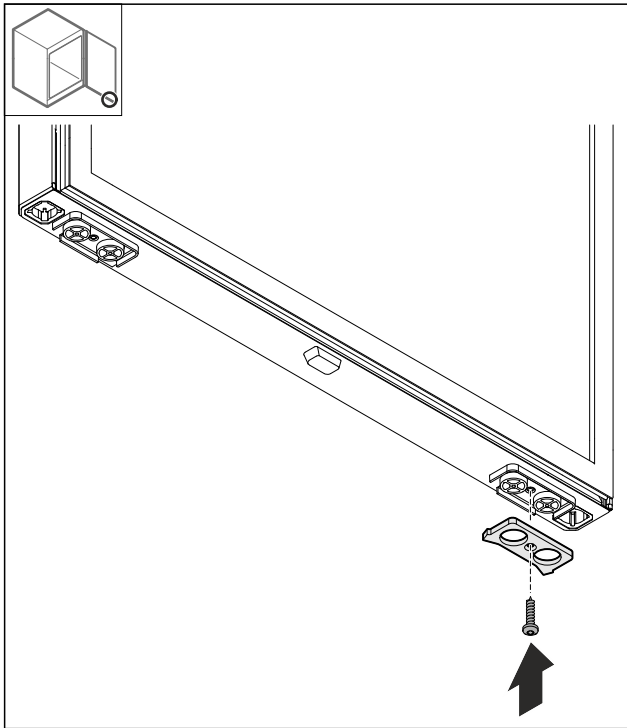


Fig. 14

- ▶ Attach the stop plate on the opposite side.

3.5.8 Converting the handle

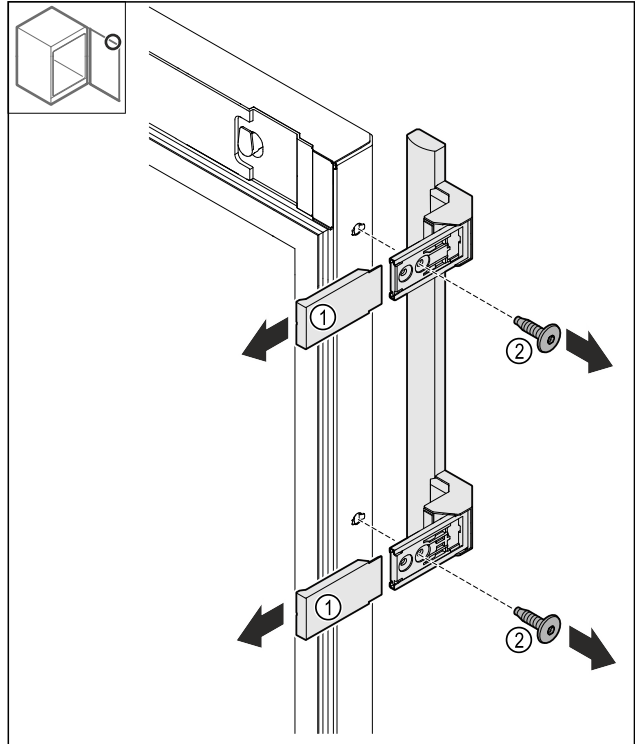


Fig. 15

- ▶ Remove the covers Fig. 15 (1).
- ▶ Loosen the screws Fig. 15 (2).
- ▶ Remove the handle.

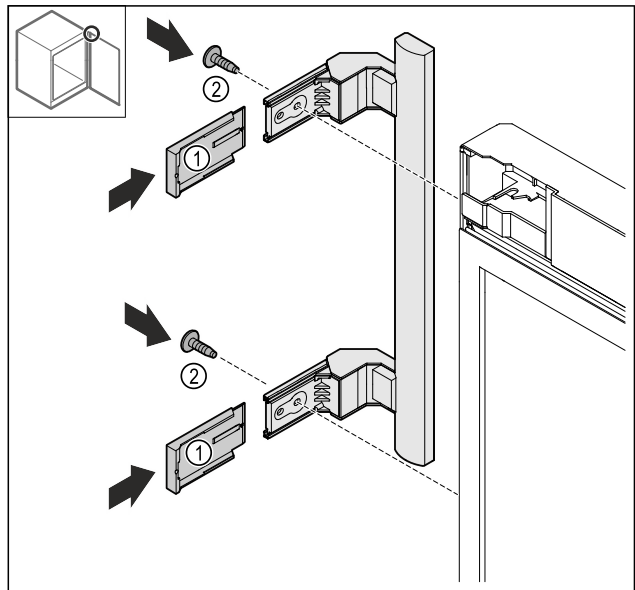


Fig. 16

- ▶ Move the plug to the opposite side.*
- ▶ Screw the handle on to the opposite side.
- ▶ Push the covers Fig. 16 (1) on.

3.5.9 Removing the cover

- ▶ Lock the door.

Setting up and connecting

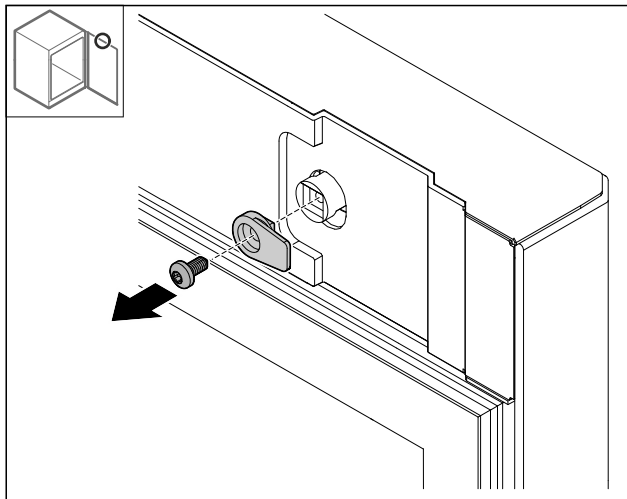


Fig. 17

- ▶ Detach the locking hook.

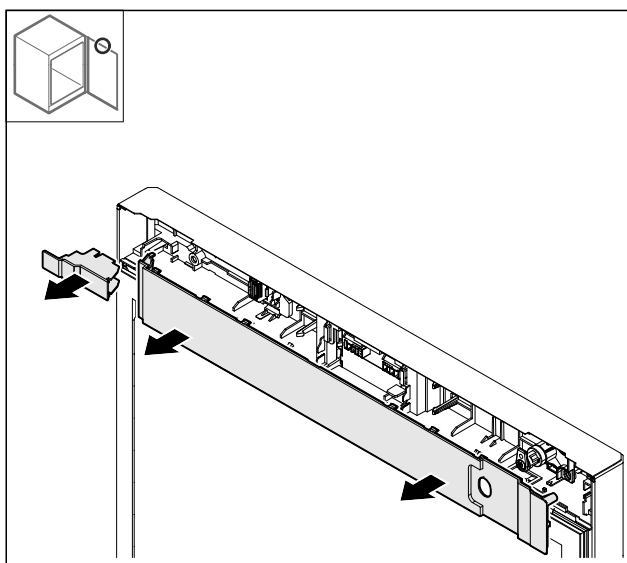


Fig. 18

- ▶ Remove the covers.

3.5.10 Converting the lock

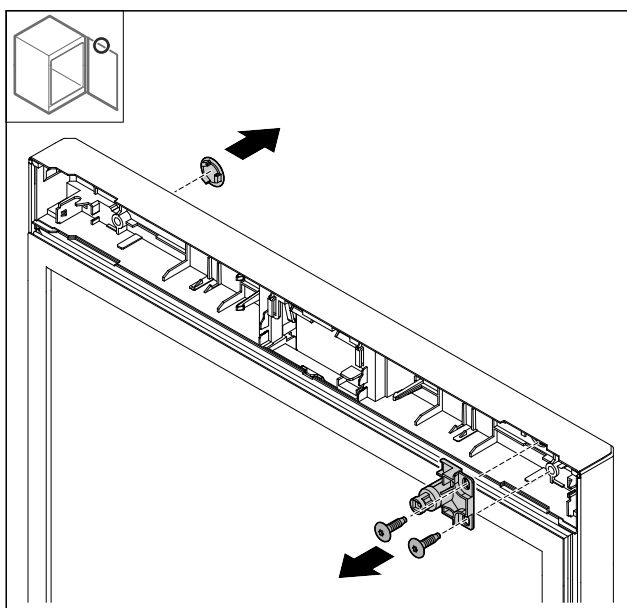


Fig. 19 Example illustration: Foamed door

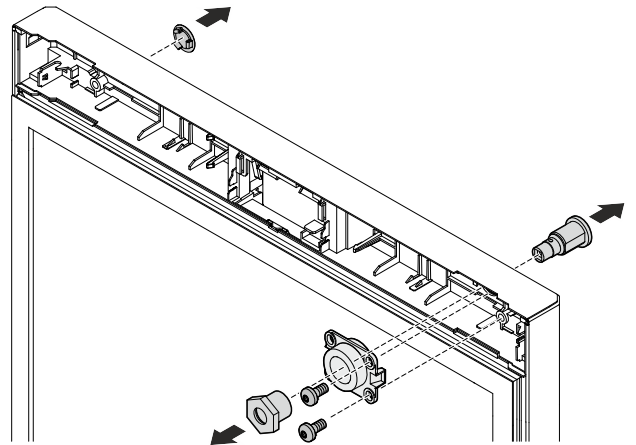


Fig. 20 Example illustration: Glass door

- ▶ Remove the cover.
- ▶ Remove the lock.

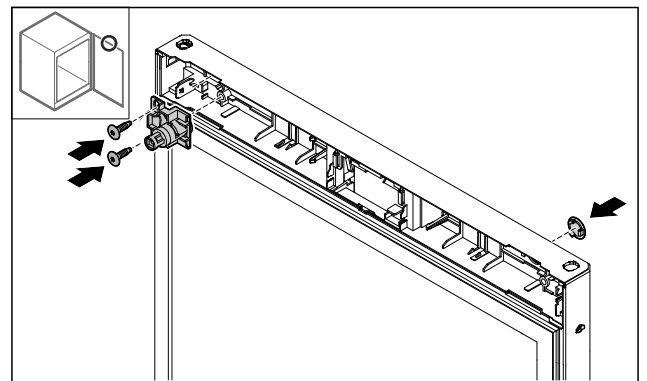


Fig. 21 Example illustration: Foamed door

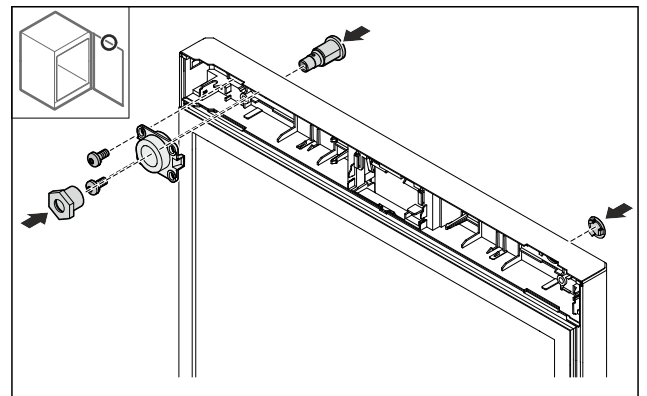


Fig. 22 Example illustration: Glass door

- ▶ Fit cover on the opposite side.
 - ▶ Foamed door: Turn the lock 180° and fit it on the opposite side.
- or-
- ▶ Glass door: Turn the lock and holder and fit it on the opposite side.

3.5.11 Putting on the cover

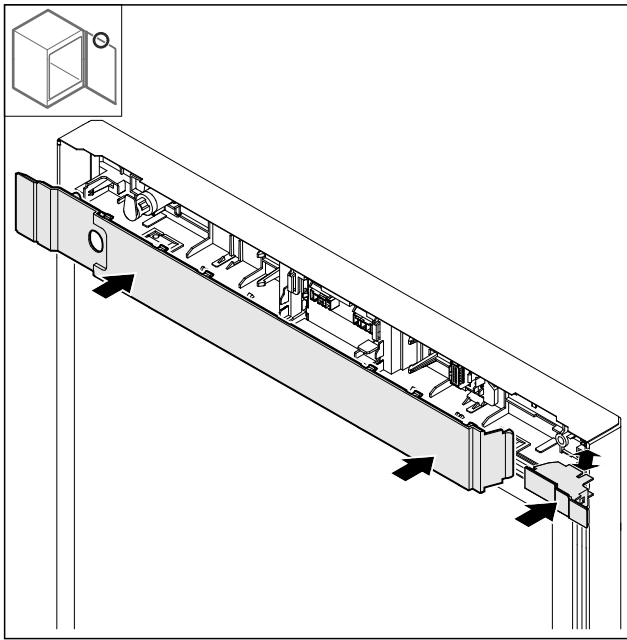


Fig. 23

- Fit the covers rotated by 180°. Ensure that the cable runs through the top opening on the small cover.

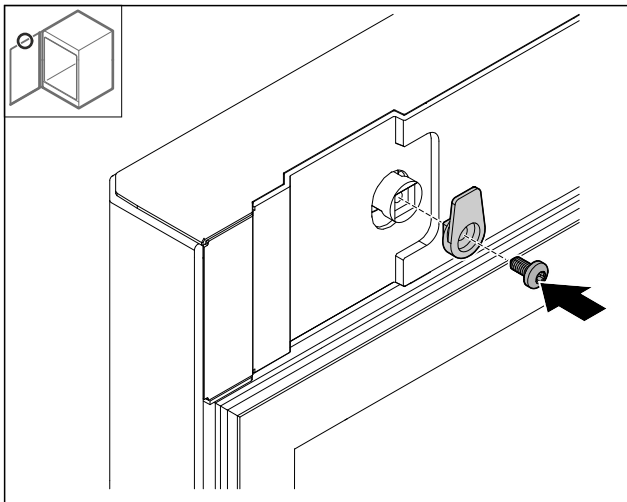


Fig. 24

- Fit the locking hook.

3.5.12 Converting the top hinge

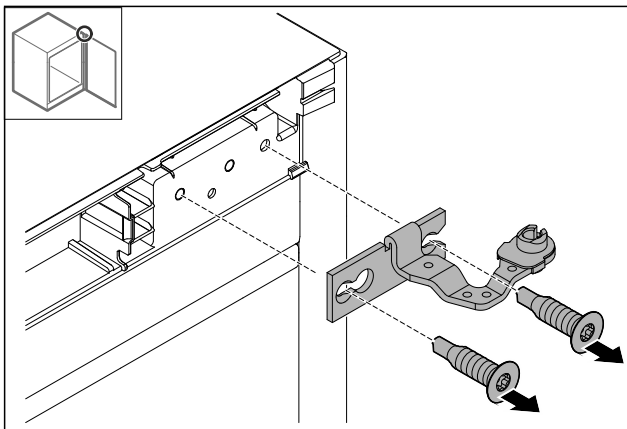


Fig. 25

- Detach the hinge.

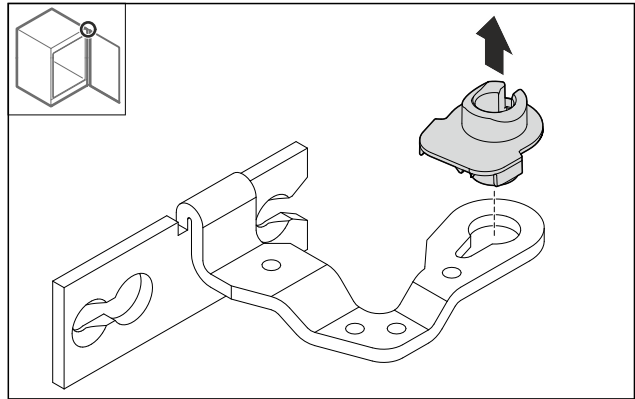


Fig. 26

- Press out the bearing socket.

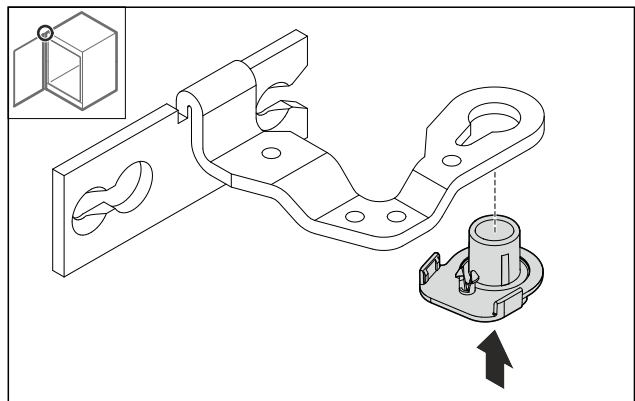


Fig. 27

- Turn the bearing socket by 180° and press it into the underside.

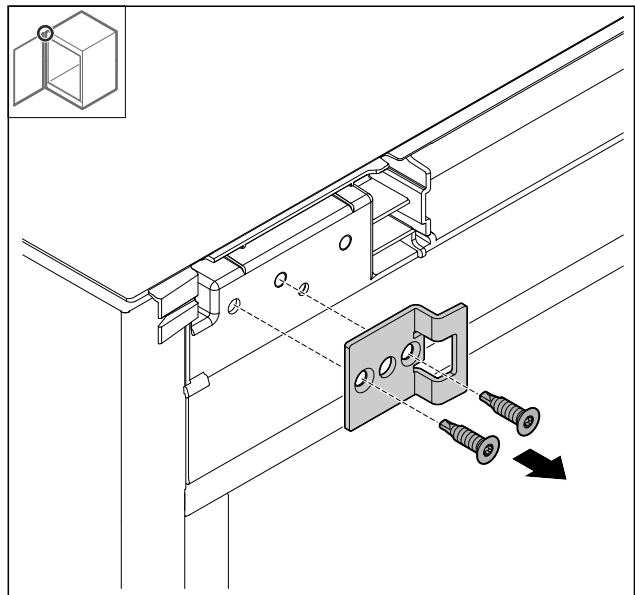


Fig. 28

- Detach the locking bracket.

Setting up and connecting

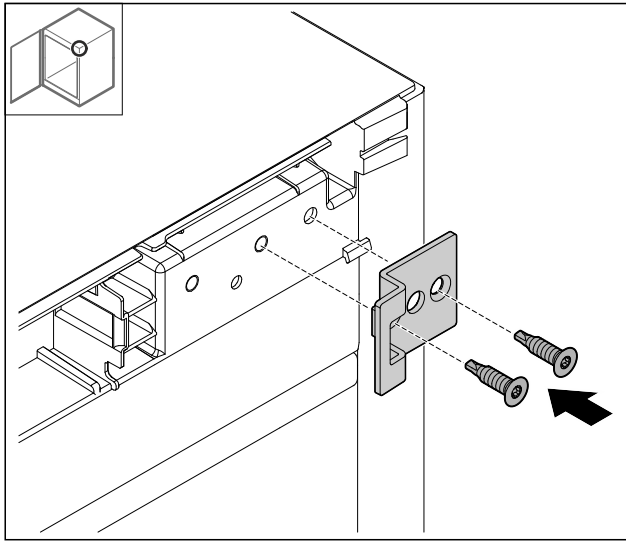


Fig. 29

- ▶ Turn the locking bracket 180° and fit it on the opposite side.

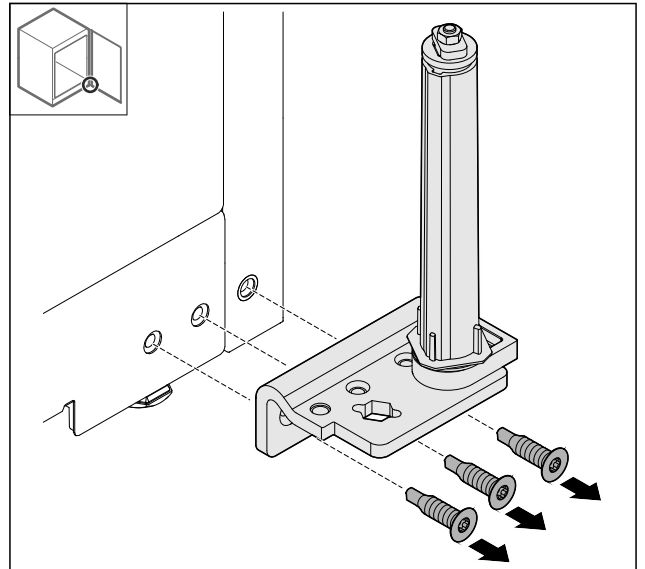


Fig. 32

- ▶ Detach the hinge bracket.

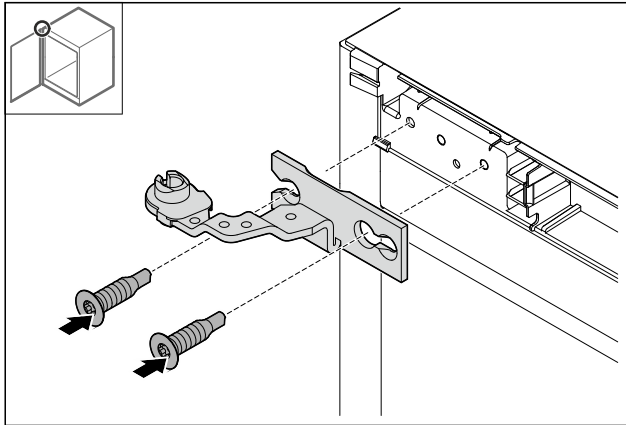


Fig. 30

- ▶ Attach the hinge.

3.5.13 Converting the bottom hinge

NOTICE

Danger of injury due to tensioned spring!

- ▶ Do not dismantle the screw connection Fig. 31 (1) on the locking system.

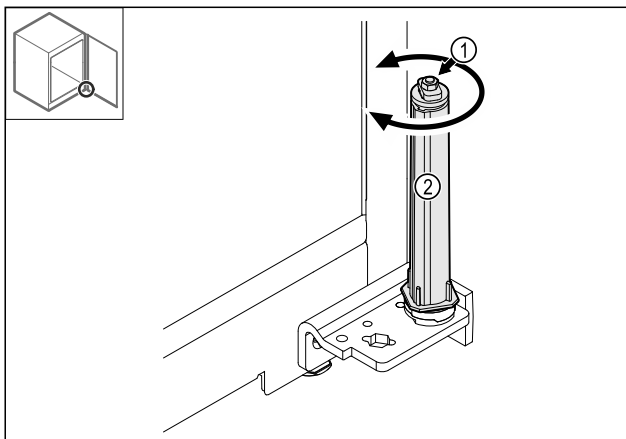


Fig. 31

- ▶ Turn the locking system Fig. 31 (2) until it clicks.
- ▶ The locking system pre-tension is released.

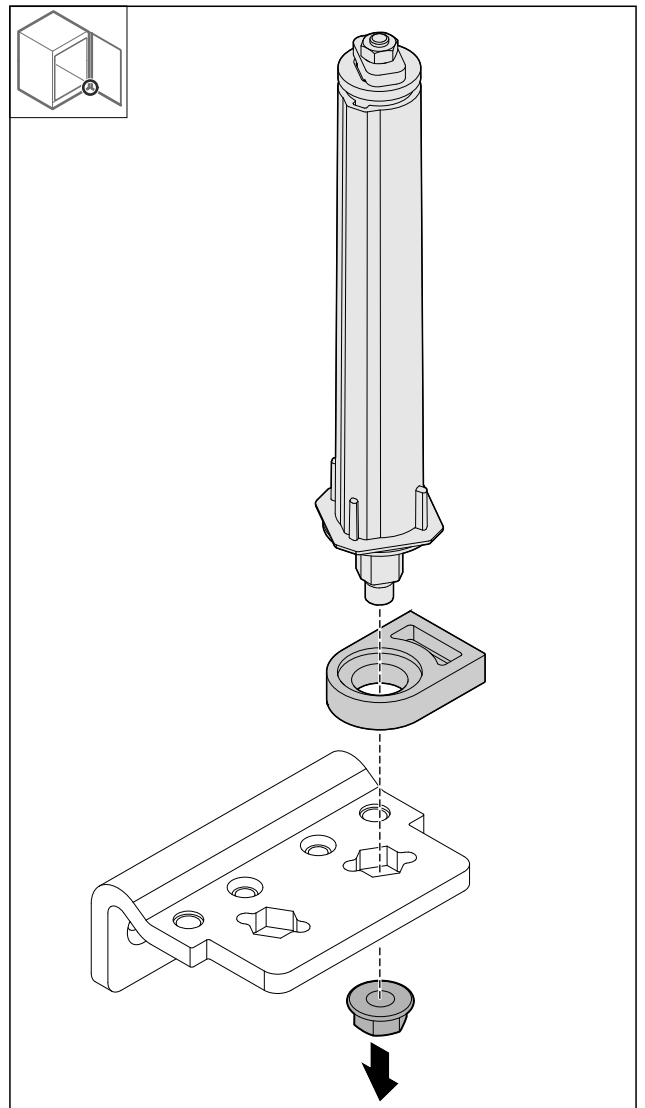


Fig. 33

- ▶ Loosen the nut.

Note

When inserting, ensure that the locking system is aligned correctly.

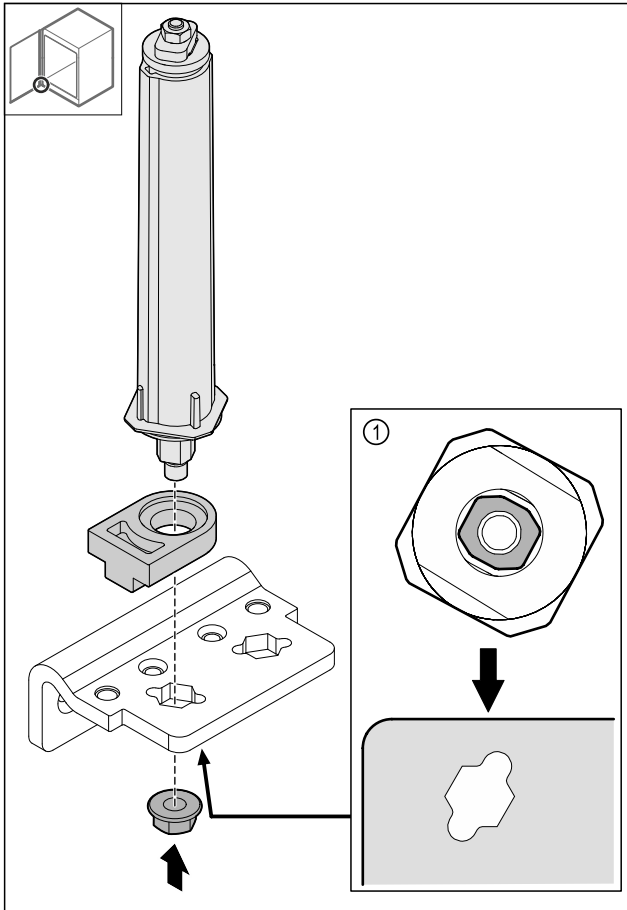


Fig. 34 View from below: Fig. 34 (1)

- Move the locking system in the hinge bracket and secure with the nut.

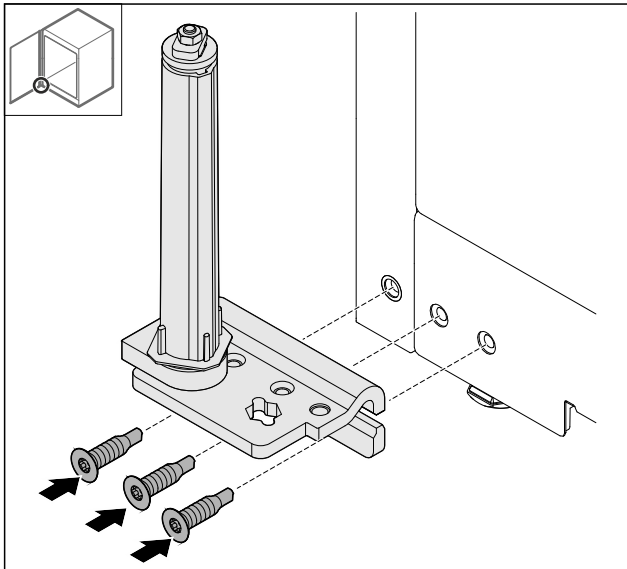


Fig. 35

- Attach the hinge bracket on the opposite side.

Note
Correct alignment and pre-tension are important for the locking system functions.

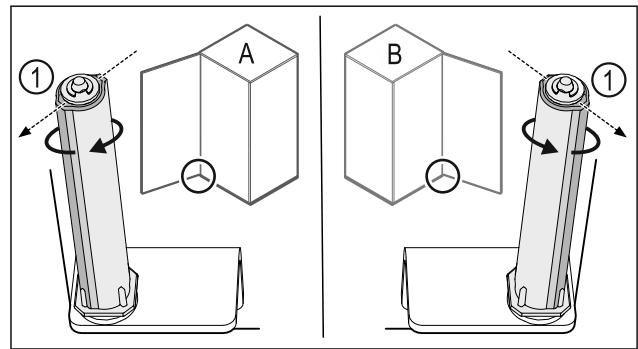


Fig. 36 Left stop (A) / right stop (B)

- Turn the locking system against the resistance until the bar on the locking system Fig. 36 (1) is pointing outwards.
- The locking system remains in this position automatically.
- The locking system is aligned and pre-tensioned.

3.5.14 Fitting the door

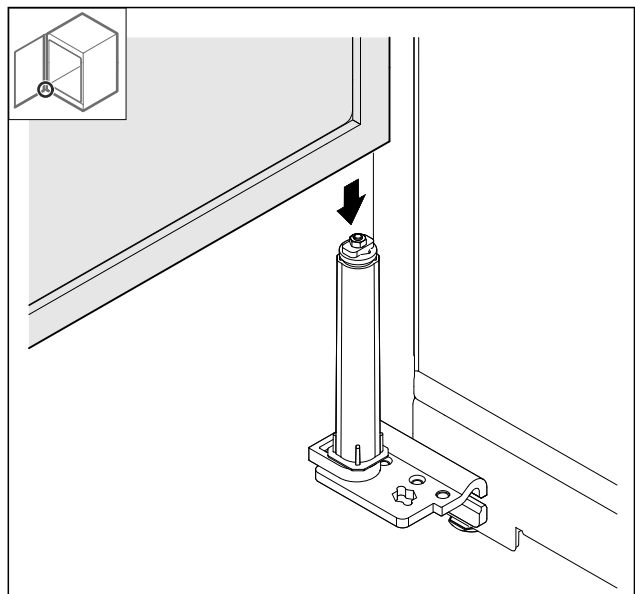


Fig. 37

- Place the door on the locking system.

Setting up and connecting

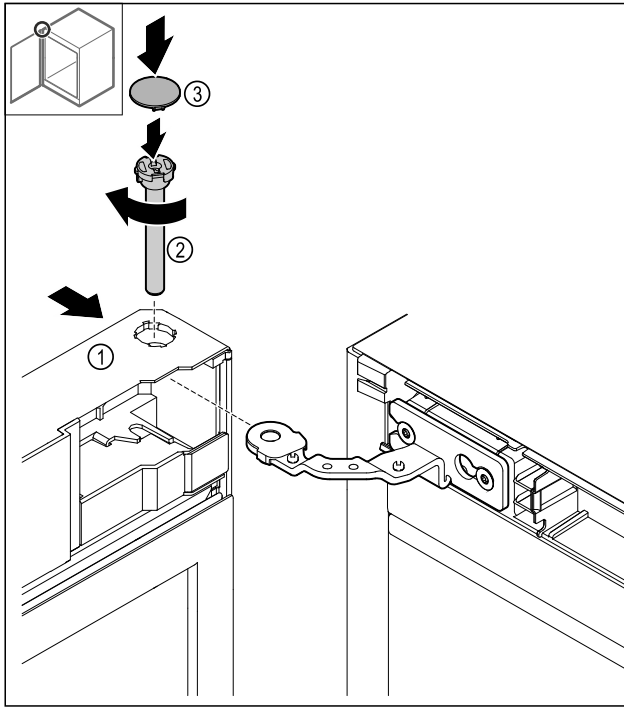


Fig. 38

- ▶ Slide the door Fig. 38 (1) onto the top hinge.
- ▶ Insert the bolt Fig. 38 (2) and turn it clockwise to tighten.
- ▶ Put on the cover Fig. 38 (4).

3.5.15 Putting on the covers

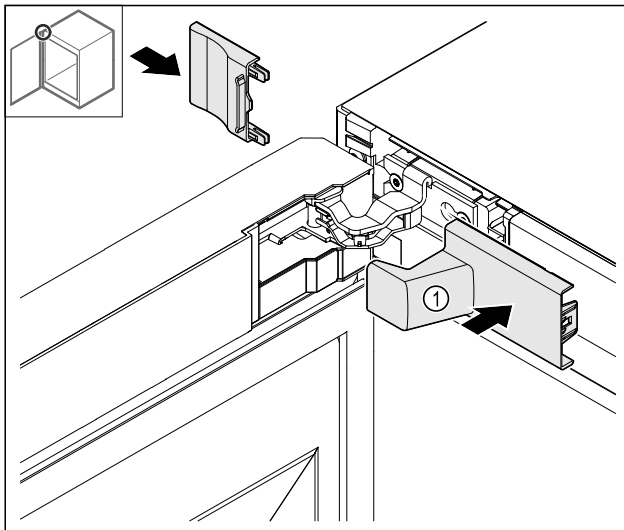


Fig. 39

- (1) The cover is supplied as standard with the appliance.
- ▶ Put on the covers.

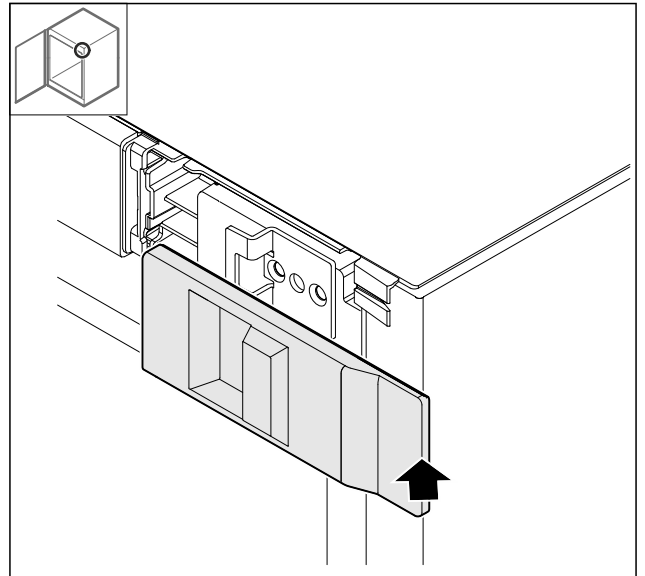


Fig. 40

- ▶ Put on the cover.

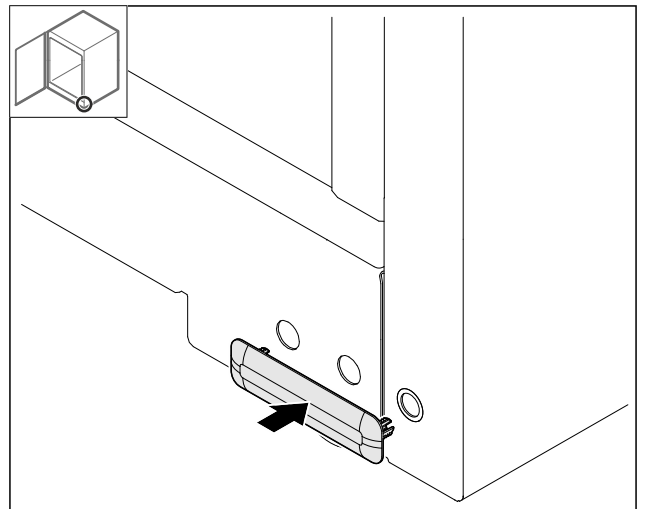


Fig. 41

- ▶ Put on the cover.

3.5.16 Fitting the worktop*

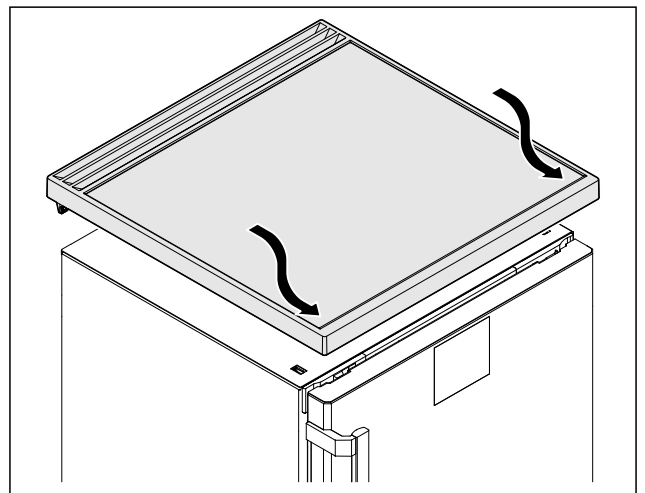


Fig. 42

- ▶ Put on the worktop.

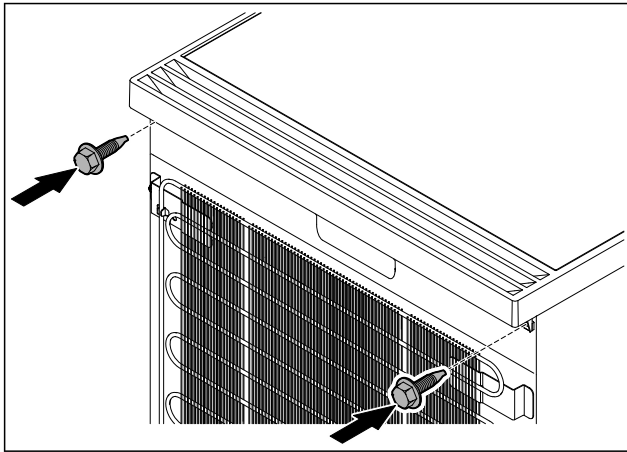


Fig. 43

- ▶ Screw on the worktop.

3.6 Aligning the door

If the door is not straight, you can adjust it on the lower hinge.

- ▶ Slightly undo both screws and move the door with the hinge to the left or right.
- ▶ Tighten the screws as far as they will go.
- ▶ The door is now straight.

3.7 Installing door handle

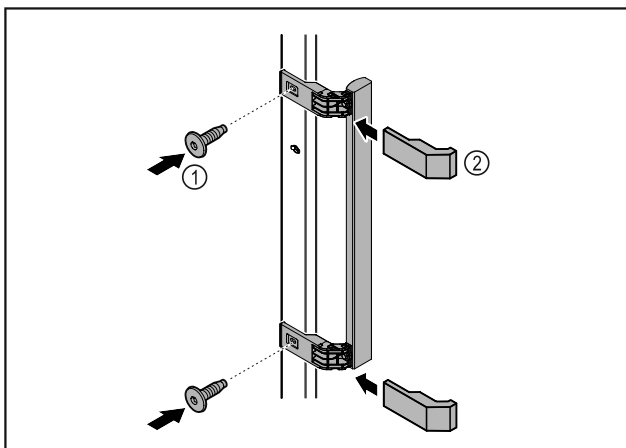


Fig. 44

- ▶ Attach handle from accessory kit to the door using the screws supplied Fig. 44 (1).
- ▶ Put on cover Fig. 44 (2).
- ▶ Insert the plug from the accessory pack on the opposite side.*

3.8 Installing appliance



CAUTION

Risk of injury and damage.

- ▶ Use 2 people to install appliance.



CAUTION

Risk of injury and damage.

The door can knock against the wall and become damaged as a result. In the case of glass doors, the damaged glass can cause injuries.

- ▶ Protect the door from knocking against the wall. Attach door stopper, e.g. felt stopper, to the wall.

- ▶ Connect all necessary components (e.g. mains cable) to the back of the appliance and route to the side.

Note

Cables can be damaged.

- ▶ Do not jam the cable when pushing the appliance back.

3.9 Setting up the appliance so it is level

NOTICE

Appliance body is deformed and door does not close.

- ▶ Align appliance horizontally and vertically.
- ▶ Compensate for uneven floors using adjustable feet.



WARNING

Incorrect height adjustment of the adjustable foot!

Can cause severe or even fatal injury. Incorrect height adjustment can cause the bottom part of the adjustable foot to come loose and the appliance to tip over.

- ▶ Do not unscrew the adjustable foot too far.

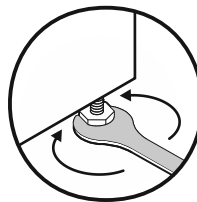


Fig. 45

Raising appliance:

- ▶ Turn adjustable foot clockwise.

Lowering appliance:

- ▶ Turn adjustable foot anticlockwise.

3.10 Installing multiple appliances

NOTICE

Risk of damage due to condensation between the side walls.

- ▶ Do not install the appliance directly next to another fridge.
- ▶ Install appliances with a space 3 cm between appliances.
- ▶ Only install multiple appliances of up to climate class CC2 temperatures (32.2 °C, 65% humidity) next to one another.
- ▶ At higher levels of humidity, increase space between appliances.

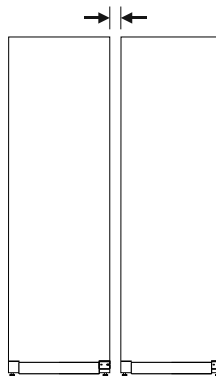


Fig. 46 Side-by-side installation

Functionality of the display

Note

A side-by-side kit is available as an accessory via Liebherr Customer Service. (see 10.3 Customer Service)

3.11 After installation

- ▶ Peel off the protective films. *
- ▶ Clean appliance. (see 9.2 Cleaning the appliance)
- ▶ If necessary: Disinfect the appliance.
- ▶ Keep the invoice so you have the appliance and dealer information available if needed.

3.12 Disposing of packaging



WARNING

Danger of suffocation due to packing material and plastic film!

- ▶ Do not allow children to play with packing material.

The packaging is made of recyclable materials:

- corrugated board/cardboard
- expanded polystyrene parts
- polythene bags and sheets
- polypropylene straps
- nailed wooden frame with polyethylene panel*
- ▶ Take the packaging material to an official collecting point.

3.13 Connecting the appliance to the power supply



WARNING

Danger of electric shock and injury due to damaged appliance or damaged mains cable!

Danger of cuts and fatal injuries. If the appliance or the mains cable is damaged during transport, you may be electrocuted. You could also cut yourself on damaged parts of the appliance housing.

- ▶ Check the appliance and the mains cable for damage after transport.
- ▶ Never put the appliance into operation if the appliance or the mains cable are damaged.
- ▶ Contact Customer Service.

You can connect your appliance to the mains using the power cable supplied separately. The mains power cable has an appliance coupler at one end and a mains plug at the other end.

Make sure that the following requirements are fulfilled:

- The appliance and power cable are undamaged.
- The appliance is set up in accordance with the regulations. (see 3.7 Installing door handle)
- Requirements for the electrical connection are met. (see 3.1 Installation requirements)
- Dimensions for connection in accordance with regulations are known and observed.
- Mains voltage and frequency correspond to the specifications on the type plate.
- The socket is earthed according to the regulations and fused.
- The fuse tripping current is between 10 A and 16 A.
- The socket is easily accessible and is not behind the appliance.

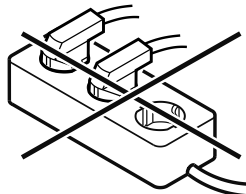
NOTICE

Danger of damage to incorrect operation!
Damage to the electrical components of the appliance.
▶ Only use the supplied mains cable.



WARNING

Danger of fire due to incorrect connection!
Burns.
Damage to the appliance.
▶ Do not use an extension cable.
▶ Do not use distributor blocks.



NOTICE

Danger of damage to incorrect connection!
Damage to the appliance.
▶ Do not connect the appliance to a stand-alone inverter, e.g. solar power systems and petrol generators.

- ▶ Connect the mains cable plug to the power supply. Ensure that the plug is tightly in the socket.
- ▶ The appliance is connected. For information regarding first use, see the following section or the operating instructions.



4 Functionality of the display

You operate your device with the touchbutton.

4.1 Navigation by touchbutton and symbol explanation

In the illustrations, different symbols are used to navigate the display by touchbutton. The following table describes these symbols.

Symbol	Description
	<p>Touch the touchbutton with your finger briefly: Navigate through main menu and submenu. If a number is shown on the hand: The number tells you how many times you have to touch the touchbutton briefly in succession to navigate to a particular function.</p>
	<p>Touch the touchbutton with your finger for 3 seconds: Switch on the device. In the main menu: Switch off the device. In the submenu: Switch to the main menu. Deactivate active function of the submenu.</p>
	<p>Touch the touchbutton with your finger for 7 seconds: In the main menu: Open the submenu.</p>

Symbol	Description
	Arrow with clock: It takes more than 10 seconds for the following message to appear in the display.
	Arrow with a time indication: It takes the specified amount of time until the following message appears in the display.





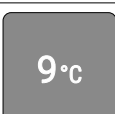
4.2 Menus

The device functions can be found in various menus.

Menu	Description
Main menu	When you switch the device on, you are automatically in the main menu. From here, navigate to device functions and the submenu.
Submenu	The submenu contains additional device functions for setting up your device.

4.2.1 Main menu

In the main menu, it is possible to activate/deactivate the following functions:

LED	Description
	Temperature 1 °C
	Temperature 3 °C
	Temperature 5 °C
	Temperature 7 °C
	Temperature 9 °C

Meaning of the LEDs in the main menu

4.2.1 Opening the submenu

When you switch the device on, you are automatically in the main menu.

If you are in the submenu and want to switch to the main menu:

- ▶ Carry out action steps (see 4.2.2 Exiting the submenu) .

4.2.1 Navigating in the main menu

If you navigate in the main menu, LED 5 is followed by LED 1 again.



Fig. 47

- ▶ Touch the touchbutton briefly until the LED of the desired function lights up.
- ▶ Function is activated.

4.2.1 Sleep mode of the display

If you do not touch the touchbutton in the main menu for 10 seconds, the display switches to sleep mode. Sleep mode prevents you from adjusting the temperature by accidentally touching the touchbutton.

Ending sleep mode:

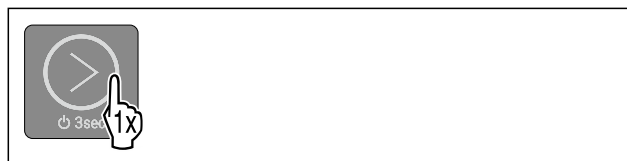





Fig. 48

- ▶ Briefly touch the touchbutton.
- ▶ Confirmation tone sounds.
- ▶ Set temperature flashes once.
- ▶ Sleep mode is ended.

4.2.2 Submenu

In the submenu, the following functions can be activated/deactivated:

LED	Description	LED position
	Input lock	LED 1
	Presentation light	LED 2
	Resetting to factory settings	LED 3

Meaning of the LEDs in the submenu

4.2.2 Opening submenu

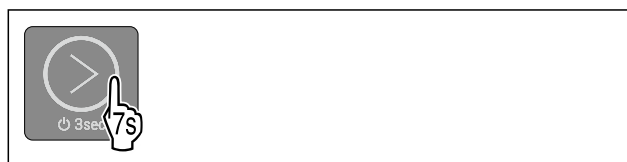


Fig. 49

- ▶ Carry out the steps as shown in the illustration until you hear a double confirmation tone after 7 seconds.
- ▶ LEDs 1-5 light up: You are in the submenu.
- ▶ If you do not perform any action on the display for 5 seconds, the display returns to the main menu.

Putting into operation

4.2.2 Exiting the submenu



Fig. 50

- ▶ Carry out action steps according to the illustration.
- or-
- ▶ Do not touch the touchbutton for 5 seconds.
- ▷ You are in the main menu.

4.2.2 Navigating in the submenu

If you navigate in the submenu, LED 1 follows the LED of the last function in the submenu.



Fig. 51

- ▶ Touch the touchbutton briefly until the LED of the desired function lights up.
- ▷ After 5 seconds without interaction, selected function is automatically activated.

5 Putting into operation

5.1 Switching on device (first use)

Make sure that the following requirements are fulfilled:

- The device has been installed and connected in accordance with the installation instructions.
- All adhesive strips, adhesive and protective films and transport locks are removed from inside and on the device.
- All marketing leaflets are removed from the drawers.
- You are familiar with the functionality of the display. (see 4 Functionality of the display)

Switching on the device:

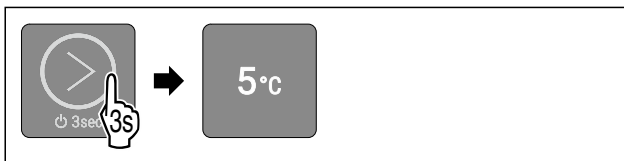


Fig. 52

- ▶ Touch the touchbutton as shown in the illustration for 3 seconds until you hear the confirmation tone.
- ▷ The device is switched on.
- ▷ Interior lighting is activated.*
- ▷ The device cools to the target temperature set at the factory.

Device starts in demo mode:

When the device starts in demo mode:

- ▶ Deactivating demo mode. (see Deactivating demo mode)

Display switches to sleep mode:

When the display switches to sleep mode:

- ▶ Briefly touch the touchbutton. (see 4.2.1 Sleep mode of the display)

Note

The manufacturer recommends:

- ▶ Observe the notes on storing food. (see 6.1 Information regarding storage)

Note

Accessories can be purchased from the Liebherr-Hausgeräte store at home.liebherr.com/shop/de/deu/zubehor.html.

6 Storage

6.1 Information regarding storage

Note

Failure to follow these guidelines can lead to food becoming spoiled.

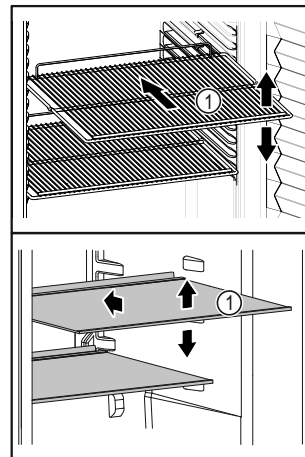


Fig. 53 Example illustration

When stocking observe the following:

- If storage surfaces Fig. 53 (1) are movable, adjust them according to height.
- Observe maximum load weight. (see 10.1 Technical specifications)
- Do not load appliance until storage temperature has been reached (maintain cold chain).
- Refrigerated goods must not touch the rear wall.
- Refrigerated items do not protrude beyond the shelves.
- Ensure items for refrigeration are well packaged.
- Pack items for refrigeration which easily acquire or emit an odour of flavour in closed containers or cover.
- Keep liquids in closed containers.
- Package raw meat or fish in clean, closed containers. This will prevent meat or fish from touching or dripping onto other food.
- Leave space when storing items for refrigeration to ensure good air circulation.

6.2 Storage times

The best-before date specified on the packaging should be used as the reference point for the storage time.

7 Controls

7.1 Operating controls and display elements

The display provides a quick overview of the current status of the appliance, the temperature setting, the status of functions and messages.

You operate your appliance with the touchbutton.

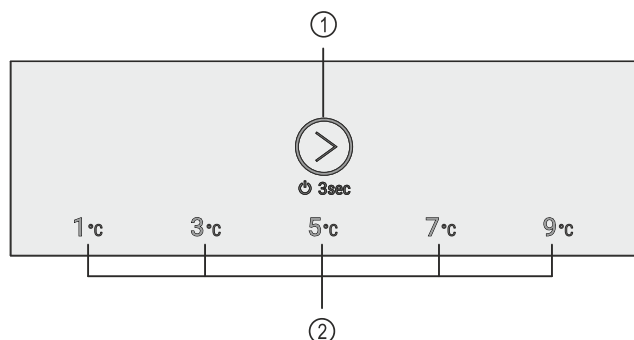


Fig. 54 Example illustration: Display

- (1) Touchbutton (operating control)
- (2) Temperature display/Status indicator

7.1.1 Temperature display/Status indicator

The temperature display/status indicator consists of five LEDs:

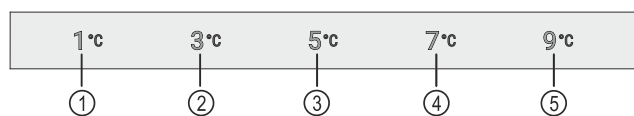


Fig. 55 Example illustration

- (1) LED 1
- (2) LED 2
- (3) LED 3
- (4) LED 4
- (5) LED 5

The LEDs indicate temperature settings (see 4.2.1 Main menu) in the main menu and functions in the submenu (see 4.2.2 Submenu).

7.1.2 LED behaviour

You can recognise the status of the device by the light up or flashing of the LEDs:

LED behaviour (example illustration)	Description
	LED does not light up: LED is not selected. Function is not active.
	LED lights up: LED is selected or function is active.
	Several LEDs flash simultaneously: An error has occurred. (see 7.3 Messages)

LED behaviour

7.1.3 Audible signals

An audible signal sounds in the following cases:

Audible signal	Description
Confirmation tone	Sounds when the touchbutton is touched.
Alarm tone	Sounds when an error occurs. (see 7.3 Messages)
Error tone	Sounds when the touchbutton is touched, but the interaction is not possible.

7.2 Appliance functions

7.2.1 Notes on the appliance functions

The appliance functions are set at the factory so that your appliance is fully functional.

Before you alter, activate or deactivate the device functions, make sure that the following requirements are met:

- You have read and understood the descriptions of how the display works. (see 4 Functionality of the display)
- You have familiarised yourself with the operating and display elements of your appliance. (see 7.1 Operating controls and display elements)



Switching the appliance off and on

Use this function to switch the entire appliance off and on.

Switching off the device

When you switch the appliance off, then the previously saved settings are saved.

Make sure that the following requirements are fulfilled:

- Handling instructions are carried out.
- You are in the main menu. (see 4.2.2 Exiting the submenu)

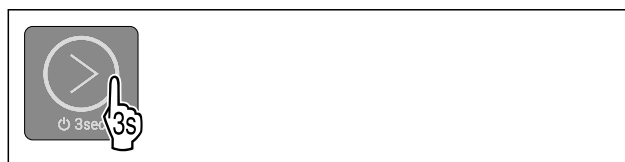


Fig. 56

- ▶ Carry out the action steps according to the illustration until you hear the confirmation tone.
- ▶ LEDs of the display no longer light up.
- ▶ Interior lighting is deactivated.*
- ▶ Device is switched off.

Switching on the device

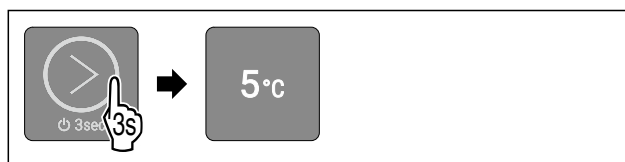


Fig. 60 Example illustration: On appliances without a SmartModule

- ▶ Carry out the action steps according to the illustration until you hear the confirmation tone.
- ▶ The device is switched on.
- ▶ Interior lighting is activated.*
- ▶ During first use: The appliance cools to the target temperature set at the factory.
- ▶ If the device has been in operation before: The appliance cools to the target temperature set previously.

Controls

5 °C

Temperature

Use this function to set the temperature.

The temperature depends on the following factors:

- Frequency of door opening
- Duration of door opening
- Room temperature of the installation site
- Type, temperature and quantity of food

Setting the temperature

The function is located in the main menu on the positions of LEDs 1-5.

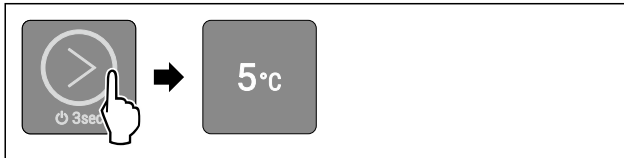


Fig. 62 Example illustration

- ▶ Briefly touch the touchbutton as shown until the desired temperature lights up.
- ▶ Temperature is set.
- ▶ The device cools to the target temperature set.



Presentation light

Use this function to set the interior lighting.

Activating the presentation light

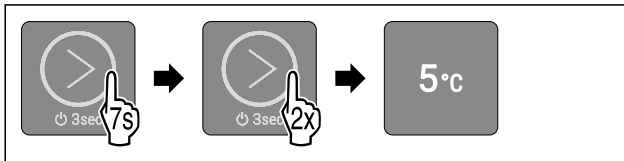


Fig. 63

- ▶ Carry out action steps in accordance with the illustration.
- ▶ LED 2 lights up.
- ▶ Presentation light is activated.

Deactivating the presentation light

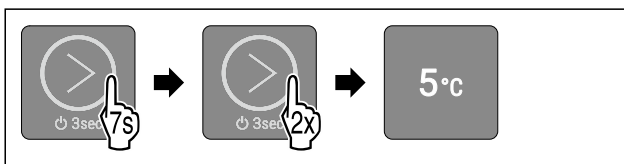


Fig. 64

- ▶ Carry out the action steps in accordance with the illustration until you hear the confirmation tone.
- ▶ Presentation light is deactivated.
- ▶ You are in the main menu.



Input lock

You can use this function to activate or deactivate the input lock. The input lock prevents the appliance being operated accidentally, e. g. by children.

Application:

- Avoid unintentional modification of functions.
- Avoid unintentional switching off of the device.
- Avoid unintentional temperature setting.

Activating the input lock

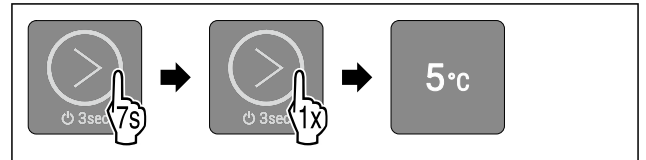


Fig. 65

- ▶ Carry out action steps according to the illustration.
- ▶ LED 1 lights up.
- ▶ After 5 seconds without interaction, input lock is automatically activated.

Deactivating the input lock



Fig. 66

- ▶ Carry out the action steps according to the illustration until you hear the confirmation tone.
- ▶ Input lock is deactivated.
- ▶ You are in the main menu.



Demo mode

Demo mode is a special feature for dealers who want to demonstrate device features. If you activate demo mode, all refrigeration functions are deactivated and you cannot open the submenu.

If you activate and then deactivate demo mode, the device will be reset to factory defaults. (see Resetting to factory settings)

Activating demo mode

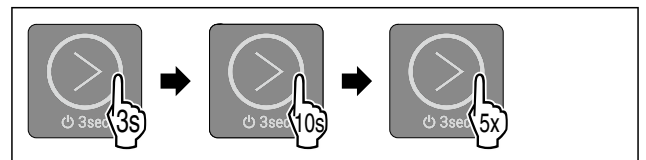


Fig. 67

- ▶ Touch the touchbutton as shown in the illustration for 3 seconds until you hear the confirmation tone.
- ▶ Device is switched off.
- ▶ Touch the touchbutton as shown in the illustration for 10 seconds until you hear the confirmation tone after 10 seconds.
- ▶ Briefly touch the touchbutton five times.
- ▶ All temperature LEDs light up twice for a short time: Demo mode is activated.
- ▶ Device is switched off.
- ▶ Switch on the device. (see Switching on the device)
- ▶ The device is in demo mode.

Deactivating demo mode

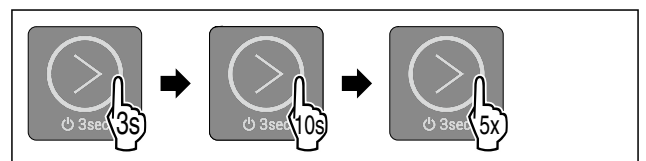


Fig. 68

- ▶ Touch the touchbutton as shown in the illustration for 3 seconds until you hear the confirmation tone.
- ▶ Device is switched off.

- ▶ Touch the touchbutton as shown in the illustration for 10 seconds until you hear the confirmation tone after 10 seconds.
- ▶ Briefly touch the touchbutton five times.
- ▶ All temperature LEDs light up briefly four times: Demo mode is deactivated.
- ▶ Device is switched off.
- ▶ Switch on the device. (see Switching on the device)

Resetting to factory settings

Use this function to reset all settings to factory defaults. All settings you have made so far (e.g. log-in data) are reset to their original settings.

Application:

- Reset device

Performing a reset

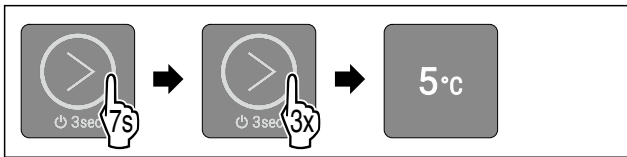


Fig. 69 Example illustration

- ▶ Carry out action steps according to the illustration.
- ▶ LED 3 lights up.
- ▶ After 5 seconds without interaction, the appliance is reset.
- ▶ Appliance is switched off.
- ▶ Switch on the appliance. (see 5.1 Switching on device (first use))
- ▶ Log-in data is reset.

7.3 Messages

Messages are indicated audibly by an alarm tone and visually by the LEDs flashing in the display. Different LEDs flash depending on the type of message.

You can end the following messages yourself. For all other messages, you must contact the customer service. (see 10.3 Customer Service)

Message	Cause	Exit the message
Alarm tone sounds. Interior lighting pulses.* Door alarm	The message appears if the door is open for more than 60 seconds.	Carry out action steps (see Door alarm).

Overview of messages

7.3.1 Ending messages

Door alarm



Fig. 70

- ▶ End alarm: Carry out action steps according to the illustration.

-or-

- ▶ Close the door.
- ▶ Alarm has ended.

- ▶ If the door is not closed: Message appears again after 1 minutes.

8 Features

8.1 Safety lock

The lock in the appliance door is equipped with a safety mechanism.

8.1.1 Locking appliance

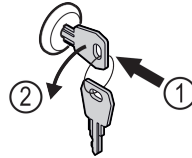


Fig. 71 Example illustration

- ▶ Insert key.
- ▶ Turn key anticlockwise by 90°.
- ▶ The appliance is locked.

8.1.2 Unlocking appliance

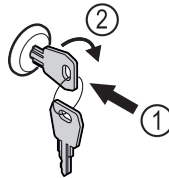


Fig. 72 Example illustration

- ▶ Insert key Fig. 72 (1).
- ▶ Turn key clockwise by 90° Fig. 72 (2).
- ▶ The appliance is unlocked.

9 Maintenance

9.1 Defrosting appliance



WARNING

Improper defrosting of the appliance!
Injuries and damage.

- ▶ Do not use mechanical equipment or other methods to speed up the defrosting process other than those recommended by the manufacturer.
- ▶ Do not use electrical heating or steam-cleaning appliances, naked flames or defroster sprays to defrost.
- ▶ Do not use sharp objects to remove ice.

Defrosting is performed automatically. The defrost water drains through the opening and evaporates.

To maintain the functionality of the appliance, we recommend defrosting it when there is a high buildup of ice. Icing in the interior is determined by the location (e.g. high humidity), settings on the appliance and incorrect user behaviour.

If automatic defrosting is insufficient, defrost the appliance manually:

- ▶ Switch off appliance. (see Switching the appliance off and on)
- ▶ Pull out mains plug.
- ▶ Store refrigerated items elsewhere.
- ▶ Leave appliance door open during defrosting process.
- ▶ Soak up remaining defrost water with a cloth, clean drain opening and the appliance.

Customer help

9.2 Cleaning the appliance

9.2.1 Preparing



WARNING

Short-circuit hazard due to live parts!
Electric shock or damage to the electronics.

- ▶ **Switch off the appliance.**
- ▶ Pull out mains plug or switch off fuse.



WARNING

Risk of fire

- ▶ Do not damage the refrigeration circuit.
- ▶ Empty the appliance.
- ▶ Pull out the mains plug.
- ▶ Observe the notes on transporting the appliance.

9.2.2 Cleaning housing

NOTICE

Improper cleaning!
Damage to the appliance.

- ▶ Only use soft cleaning cloths and ph-neutral all-purpose cleaners.
- ▶ Do not use abrasive sponges or steel wool which may cause scratches.
- ▶ Do not use any sharp or abrasive cleaning agents, nor any that contain sand, chloride or acid.



WARNING

Risk of injury and damage as a result of hot steam!
Hot steam can lead to burns and can damage the surfaces.

- ▶ Do not use any steam cleaners!

NOTICE

Risk of damage due to short circuit.

- ▶ When cleaning the appliance, make sure no water gets into the electrical components.
- ▶ Wipe the housing down with soft, clean cloth. If very dirty, use lukewarm water with a neutral cleaner. Glass surfaces can also be cleaned with glass cleaner.
- ▶ Clean condenser coil each year. If the condenser coil is not cleaned, this significantly reduces the efficiency of the appliance.

9.2.3 Cleaning interior



WARNING

Short-circuit hazard due to live parts!
Electric shock or damage to the electronics.

- ▶ **Switch off the appliance.**
- ▶ Pull out mains plug or switch off fuse.



WARNING

Risk of injury and damage as a result of hot steam!
Hot steam can lead to burns and can damage the surfaces.

- ▶ Do not use any steam cleaners!

NOTICE

Improper cleaning!
Damage to the appliance.

- ▶ Only use soft cleaning cloths and ph-neutral all-purpose cleaners.
- ▶ Do not use abrasive sponges or steel wool which may cause scratches.
- ▶ Do not use any sharp or abrasive cleaning agents, nor any that contain sand, chloride or acid.

Note

- ▶ Defrost water drain (see 2.2 Overview of the appliance and equipment) : Remove deposits using a thin material (for example a cotton bud).

Note

Do not damage or remove the type plate on the inside of the appliance. The type plate is important for Customer Service. (see 10.3 Customer Service)

- ▶ Open the door.
- ▶ Empty the appliance.
- ▶ Clean interior and equipment parts with lukewarm water and a little detergent. Do not use any gritty or acidic cleaning agent or any chemical solvent.

9.2.4 After cleaning

- ▶ Wipe appliance and equipment parts dry.
- ▶ Connect and switch on appliance.
- ▶ Once the temperature is sufficiently cold:
 - ▶ put in items for refrigeration goods.
 - ▶ Repeat cleaning regularly.
- ▶ Clean and remove dust from the refrigeration unit with heat exchanger once a year.

10 Customer help

10.1 Technical specifications

Temperature range

Cooling	+1 °C to +9 °C
---------	----------------

Maximum load per shelf ^{A)}

Appliance width	550 mm	600 mm	750 mm
Grid shelves	--	45 kg	60 kg
Glass shelf	40 kg	40 kg	40 kg
Drawer (freezer appliances)	15 kg	15 kg	15 kg

A) Heavier loads may result in a slight bending of the shelves.

Net capacity

See net capacity on the type plate. (see 2.2 Overview of the appliance and equipment)

Lighting*

Energy efficiency class ^{A)} *	Light source*
This product contains one or more energy efficiency class G light sources	LED

A) The appliance may contain light sources with different energy efficiency classes. The lowest energy efficiency class is indicated.

10.2 Technical fault

Your appliance is designed and built to ensure it works reliably and has a long service life. In the unlikely event that a fault occurs during operation, please check whether the fault is due to an operating error. If this is the case, you will

be charged for the cost incurred even if this falls within the warranty period.

You can fix the following faults yourself.

10.2.1 Appliance function

Defect	Cause	Remedy
The appliance is not working.	→ The appliance is not switched on.	▶ Switch on the appliance.
	→ The mains plug is not properly plugged into the socket.	▶ Check the mains plug.
	→ There is something wrong with the fuse in the socket.	▶ Check fuse.
	→ Power cut	▶ Keep the appliance closed.
	→ The IEC socket is not plugged into the appliance correctly.	▶ Check the IEC socket.
Temperature is not cold enough.	→ The appliance door is not closed properly.	▶ Close appliance door.
	→ Ventilation is not sufficient.	▶ Clear ventilation grille and clean it.
	→ The ambient temperature is too high.	▶ Ensure the correct ambient conditions: (see 2.4 Range of use of appliance)
	→ The appliance was opened too many times or for too long.	▶ Wait to see if the appliance goes back to the required temperature by itself. If not, contact Customer Service. (see 10.3 Customer Service)
	→ The temperature is set incorrectly.	▶ Set a colder temperature and check after 24 hours.
	→ The appliance is too close to a heat source (oven, radiator, etc).	▶ Change where the appliance or the heat source are located.

10.3 Customer Service

First check whether you can remedy the fault yourself. If this is not the case, please contact Customer Service.

You can find the address in the enclosed brochure "Liebherr-Service" or at home.liebherr.com/service.

- ▶ This will help us to provide a fast and focussed service.
- ▶ Follow any further instructions provided by Customer Service.

10.4 Type plate

The type plate is inside the appliance. See appliance overview.

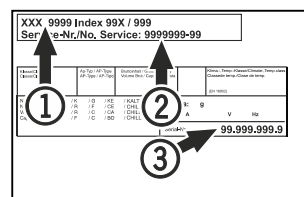


Fig. 73

- (1) Appliance designation
- (2) Service No.
- (3) Serial No.

WARNING

Unprofessional repair!
Injuries.

- ▶ Have any repairs and action - not expressly specified - on the appliance and mains cable carried out by service personnel only. (see 9 Maintenance)
- ▶ A damaged mains cable may only be replaced by the manufacturer, the manufacturer's Customer Service or a similarly qualified person.
- ▶ In the case of appliances with an IEC connector, the change may be made by the customer.

10.3.1 Contacting Customer Service

Make sure you have the following appliance data at the ready:

- Appliance name (model and index)
- Service no. (Service)
- Serial no. (S no.)

-or-

- ▶ Refer to the type plate for appliance information. (see 10.4 Type plate)
- ▶ Note down appliance information.
- ▶ Inform Customer Service: Report faults and the appliance information.

11 Shutting down

- ▶ Empty the appliance.
- ▶ Switch off the appliance.
- ▶ Pull the mains plug out of the socket.
- ▶ Remove the IEC socket if required: Pull the IEC socket out of the appliance plug and move it to the left and right at the same time.
- ▶ Clean appliance (see 9.2 Cleaning the appliance).
- ▶ If present: Remove the covers and insulation from the sensor feed-through to prevent mould forming.
- ▶ Leave the door open so that no bad odours form.

Disposal

Note

Damage to the appliance and malfunctions!

- ▶ After shutting down, only store the appliance at the permitted room temperature of between -10 °C and +50 °C.

- ▶ Dispose of batteries, lamps and the appliance according to the above specifications.

12 Disposal

13 Additional information

Further information on warranty conditions can be found in the enclosed service brochure or on the Internet at <https://home.liebherr.com>.

12.1 Preparing appliance for disposal



Li-Ion

Liebherr uses batteries in some of its appliances. In the EU, for environmental reasons, legislation obliges the end user to remove these batteries before disposing of old appliances. If your appliance contains batteries, a corresponding notice is attached.

Lamps If you can remove the lamps yourself without destroying them, also remove these before disposal.

- ▶ Take the appliance out of operation.
- ▶ If possible: remove lamps without destroying them.

12.2 Disposing of the appliance in an environmentally friendly manner



The appliance still contains valuable materials and must be disposed of separately from unsorted municipal waste.



Li-Ion



Li-Ion

Dispose of batteries separately from the old appliance. To do this, you can return the batteries free of charge to retailers as well as recycling centres and collection centres for recyclable materials.

Lamps Dispose of removed lamps via the respective collection systems.

For Germany:

You can dispose of the appliance free of charge via the class 1 collection containers at the local recycling and recyclable material collection centres. When purchasing a new fridge/freezer, if the sales area > 400 m², retailers will also take back the old appliance free of charge.



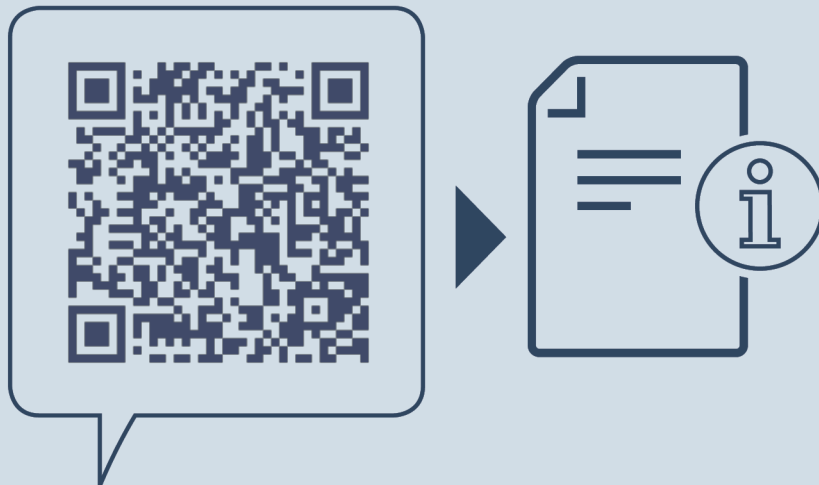
WARNING

Leaking coolant and oil!

Fire. The coolant contained in the appliance is eco-friendly, but also flammable. The oil contained in the appliance is flammable. Escaping coolant and oil can ignite if the concentration is high enough and in contact with an external heat source.

- ▶ Do not damage the pipelines of the coolant circuit and the compressor.
- ▶ Observe the notes on transporting the appliance.
- ▶ Transport the appliance without damaging it.





home.liebherr.com/fridge-manuals

EN countertop fridge
ORIGINAL OPERATOR'S MANUAL

Issue date: 20260204

Part number index: 7086715-00

Liebherr-Hausgeräte GmbH
Memminger Straße 77-79
88416 Ochsenhausen
Deutschland

