

# Portable Electric Patio Heater

User's manual

EN



**SENCOR**<sup>®</sup>

SHH 1090BK

Prior to using this appliance, please read the user's manual thoroughly, even in cases, when one has already familiarised themselves with previous use of similar types of appliances. Use the appliance only as described in this manual. Keep this manual for later use.

We recommend saving the original shipping cardboard box, packaging material, receipt and warranty card for the duration of warranty. In the event of transportation, pack the appliance using the original packaging materials only.

## TABLE OF CONTENTS

IMPORTANT SAFETY INSTRUCTIONS .....	3
DESCRIPTION OF THE PATIO HEATER .....	6
INSTALLATION OF THE PATIO HEATER .....	7
OPERATION OF THE PATIO HEATER.....	8
TROUBLESHOOTING.....	8
MAINTENANCE AND CLEANING .....	9
STORAGE.....	9
TECHNICAL INFORMATION .....	9
INSTRUCTIONS AND INFORMATION REGARDING THE DISPOSAL OF USED PACKAGING MATERIALS .	10
DISPOSAL OF USED ELECTRICAL AND ELECTRONIC EQUIPMENT .....	10

## IMPORTANT SAFETY INSTRUCTIONS

- This appliance may be used by children older than 8 years of age and by persons with physical or mental impairments or by inexperienced persons, if they are properly supervised or have been informed about how to use the product in a safe manner and understand the potential dangers. Cleaning and maintenance must not be performed by children unless they are older than 8 years of age and under supervision.
- Children from 3 to 8 years of age may only turn this appliance on and off under the condition that it is located or installed in its intended normal operating position and that they are under supervision or were informed about the safe operation of the appliance and understand the potential hazards. Children from 3 to 8 years of age must not insert the plug into the power socket or clean the appliance or carry out maintenance performed by the user.

- Children younger than 3 years of age should be prevented from accessing the appliance unless they are under constant supervision.
- Children must not play with the appliance.

**Attention:**

Certain parts of this appliance may become very hot and cause burns. Special attention should be paid when children and handicapped people are present.

**Attention:**

This appliance is not equipped with a device for controlling room temperature. Do not use it in small rooms if they are inhabited by persons that are incapable of leaving this room on their own unless they are under permanent supervision.

- Do not cover the appliance as this could result in it overheating.

## IMPORTANT SAFETY INSTRUCTIONS READ CAREFULLY AND STORE FOR FUTURE USE.

- Do not subject people or animals to the direct flow of hot or cold air for an extended period of time. This could negatively affect their health.
- Before connecting the appliance to a power socket, check that the technical details on the appliance's rating label match the electrical voltage in the socket.
- Do not connect the appliance to an extension cord or two way adapter.

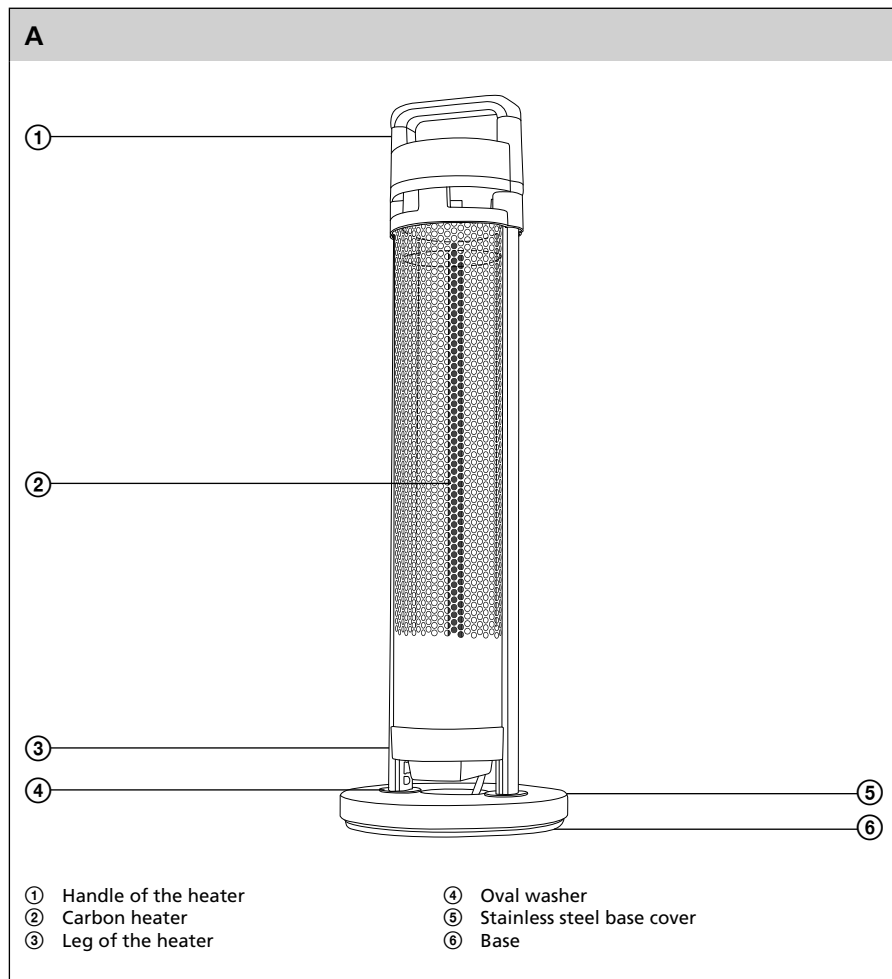


### Attention:

Do not use this appliance with a programmer, timer switch, a remote control system or any other device which would switch the appliance on automatically, because there is a danger of a fire if the appliance is covered or incorrectly located.

- The appliance is designed for indoor and outdoor use, i.e. in households, offices, on verandahs, patios and similar areas.
- Do not use the appliance in very dusty rooms, in areas where chemicals are stored, in industrial surroundings or similar locations!
- Do not expose the heater to direct rain, sunlight or strong winds.
- Do not use the appliance in the near vicinity of a bath, shower or swimming pool.
- This appliance is not intended to be mounted on a wall.
- Do not locate the appliance directly under an el. power socket.
- Do not place the appliance on unstable surfaces such as carpets with very long and thick fibres. The appliance must be located on a stable and even surface.
- Do not use the appliance near furniture, curtains, drapes or other flammable materials.
- Place the appliance in such a location that a distance of 1.5 m from walls or objects from flammable materials is maintained while it is operating.
- Do not touch the protective grill of the heater during operation, so as to avoid skin burns.
- To avoid potential injury by electric shock do not submerge any part of this appliance in water or any other liquid and do not touch the appliance with damp or wet hands.
- Always turn off the appliance and disconnect it from the power socket if you will not be using it or before cleaning.
- Do not leave the appliance in operation if you are getting ready to go to sleep.
- Before cleaning the appliance, first turn it off and disconnect it from the power socket. Do not submerge the appliance in water when cleaning it.
- To avoid damaging the power cord, do not excessively bend or twist it.
- Ensure that the power cord does not come into contact with hot surfaces or sharp objects.
- Do not disconnect the appliance from the power socket by pulling on the power cord. This could damage the power cord or the power socket. Disconnect the cord from the power socket by gently pulling the plug of the power cord.
- If the power cord is damaged, it must be replaced by an authorised service centre or by another similarly qualified person, this will prevent the creation of a dangerous situation.
- Do not use the appliance if it is not working correctly, if it has been damaged or has been submerged in water. To avoid the danger of injury by electrical shock, do not repair the appliance yourself or make any adjustments to it. Have all repairs or adjustments of the appliance performed at an authorised service centre. Tampering with the appliance during the warranty period may void the warranty policy.
- The manufacturer is not responsible for any damages caused by the incorrect use of this appliance.

## DESCRIPTION OF THE PATIO HEATER



### Accessories: package contents

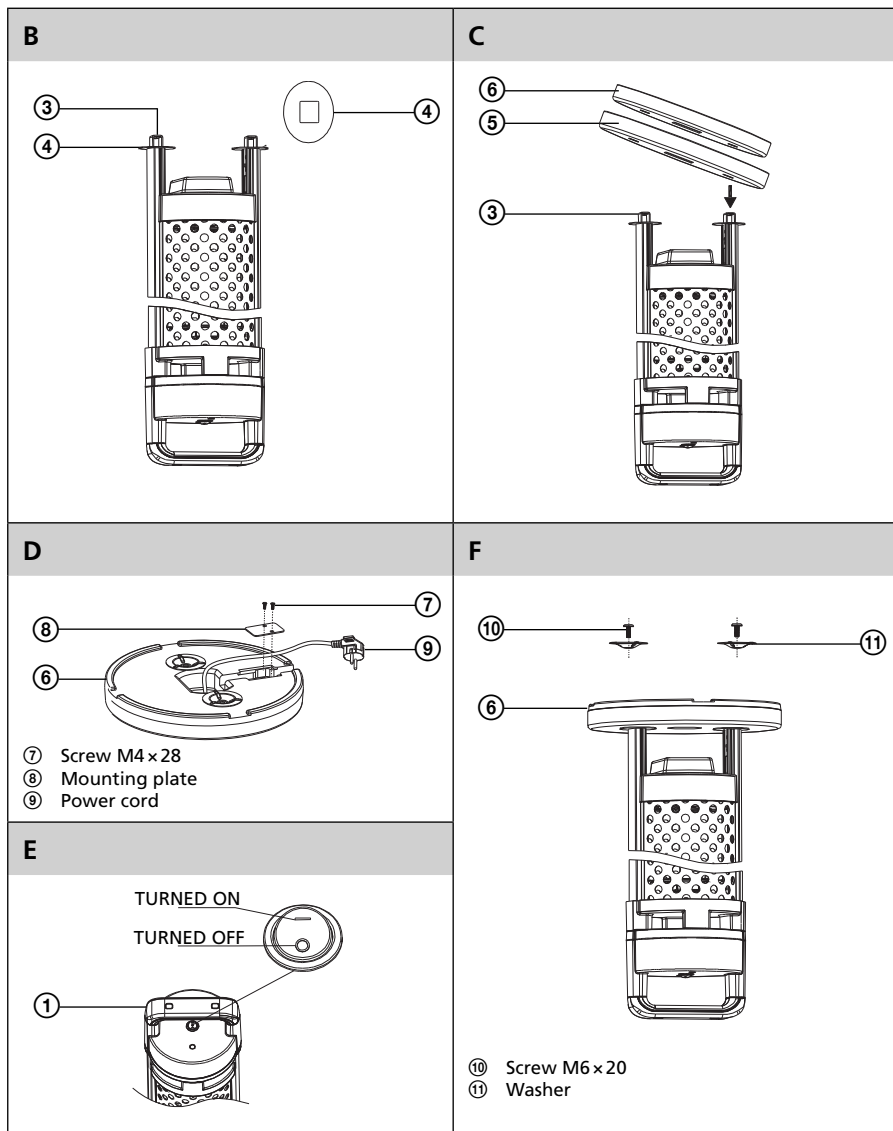
1. Screw M6 × 20	2 pcs
2. Pad	2 pcs
3. Hex key	1 pc
4. Screw M4 × 28	2 pcs
5. Mounting plate	1 pc

# Portable Electric Patio Heater

SHH 1090BK

EN

## INSTALLATION OF THE PATIO HEATER




**Attention:**

**Never connect the patio heater to a power socket prior to starting installation or during the course of the installation.**

**Before starting the installation, check the patio heater for damage, e.g. caused by a fall or transportation!**

- 1) Take the appliance and its accessories out of the packaging materials.
- 2) Turn the appliance upside down so that the handle ① is pointing to the floor. Place the oval washers ④ on to both legs of the heater ③ (see fig. B).
- 3) Now place the metal base cover ⑤ on to the base ⑥. Then seat both parts together on to the legs of the heater ③. At the same time, pull the power cord ⑨ through the centre hole in the base (see fig. C and D).
- 4) Now fasten the power cord ⑨ using the mounting plate ⑧ and two screws ⑦ to the base ⑥ (see fig. D).
- 5) Now use washers ⑪ and screws ⑩ to fasten the base ⑥ to the legs of the heater ③. Firmly tighten the screws (see fig. F).
- 6) Turn the heater around so that the handle ① is pointing upwards, i.e. stand it on its base ⑥ and check that the patio heater is stable.

## OPERATION OF THE PATIO HEATER


**Attention:**

**If the appliance is put into operation for the first time or if it has not been used for a long time, then there may be a slight odour or smoke. In this case the odour or smoke are normal and will disappear after a while.**

- 1) Place the appliance on firm ground without obstacles and at least 1.5 metres from walls and things made from flammable materials.
- 2) Connect the heater to a power socket, the switch must be in position "0" – turned off.


**Attention!!**

**Before connecting this appliance to a power socket, make sure the voltage stated on the label of the product corresponds to the voltage in your wall socket.**

- 3) Set the switch to position "I" – turned on. This will put the heater into operation (see fig. E).
- 4) After you have finished using the heater, set the switch back to position "0" and disconnect the appliance from the power socket.

### Automatic shut off safety function when the appliance is tipped over

The appliance is equipped with a safety device, which serves to automatically shut off the appliance when it is tilted. If the appliance is in operation and it is tilted by approx. 40°, the safety function is activated and the appliance will turn itself off. If the appliance is tipped over, this function serves as protection against a hazardous situation arising.

## TROUBLESHOOTING

If the appliance stops working:

- 1) Check that it is connected to the power grid and the socket is in order.
- 2) If it still does not work, please contact an authorised service centre.

## MAINTENANCE AND CLEANING

- Make sure that the appliance is disconnected from the power socket before cleaning and allow it to cool down.
- Wipe the surface of the appliance with a soft dry cloth. If it is very dirty, use a lightly dampened cloth. Never use abrasive cleaning agents, petrol, thinners, steel wool, etc. This could damage the surface of the appliance.
- Do not submerge the appliance in water or in any other liquid.

## STORAGE

- If you will not be using the appliance, store it in a dry, clean place out of children's reach. Allow the appliance to cool down before storing.

## TECHNICAL SPECIFICATIONS

Rated voltage .....	220–240 V
Rated frequency .....	50 Hz
Rated power input .....	850–1000 W
Protection level against damaging entry of water .....	IP24
Dimensions (height) .....	90 cm

### Explanation of technical terminology

Protection level against damaging entry of water:

IP24 – The appliance is protected against spraying water.

We reserve the right to change text and technical specifications.

## INSTRUCTIONS AND INFORMATION REGARDING THE DISPOSAL OF USED PACKAGING MATERIALS

Dispose of used packaging material at a site designated for waste in your municipality.

## DISPOSAL OF USED ELECTRICAL AND ELECTRONIC EQUIPMENT



This symbol on products or original documents means that used electric or electronic products must not be added to ordinary municipal waste. For proper disposal, renewal and recycling hand over these appliances to determined collection points. Alternatively, in some European Union states or other European countries you may return your appliances to the local retailer when buying an equivalent new appliance. Correct disposal of this product helps save valuable natural resources and prevents potential negative effects on the environment and human health, which could result from improper waste disposal. Ask your local authorities or collection facility for more details. In accordance with national regulations penalties may be imposed for the incorrect disposal of this type of waste.

### For business entities in European Union states

If you want to dispose of electric or electronic appliances, ask your retailer or supplier for the necessary information.

### Disposal in other countries outside the European Union.

This symbol is valid in the European Union. If you wish to dispose of this product, request the necessary information about the correct disposal method from the local council or from your retailer.



This appliance meets all the basic requirements of EU directives related to it.