

**SENCOR®**

**Let's live!**



**DIGITAL AUDIO SYSTEM  
WITH BLUETOOTH**

**SSS 4200**

**USER'S MANUAL  
EN**





# Contents

1. Important safety instructions.....	2
2. Features.....	5
3. Description .....	6
3.1. Upper panel:.....	6
3.2. Rear wall:.....	7
4. Use.....	8
4.1. Handling and preparation for operation .....	8
4.2. Wiring and operation.....	8
4.3. Equalizer .....	11
4.4. Microphone use.....	11
4.5. Using sound enhancement function.....	12
5. Troubleshooting .....	13
6. Technical specifications.....	14

## Declaration

We reserve the right to make corrections, modifications and translations of this manual without prior notice. For this reason, we recommend that you regularly visit our website to get the latest information.

# 1. Important safety instructions

## General safety instructions

- Read these instructions. Follow this manual and the instructions inside.
- Heed all warnings.
- Follow all instructions.
- Use only the attachments and accessories specified by the manufacturer.
- **You must not put an open flame on the device, e.g. a burning candle.**
- Use the device in temperate climate.
- The manufacturer and vendor of the device are in not in any way liable for any direct or indirect damages caused by not following the instructions for installation, setup, operation, maintenance and cleaning of the device mentioned in this manual.
- Protect the device against impacts, falls, blows, shocks, vibration, moisture and dust.
- Before you agree to the use of the device by children, the children must be instructed in an age-appropriate manner about safe use of the device.

## Installation, control

- Install the device according to the instructions in the manual.
- Leave free space around the device, it is necessary for proper air circulation. It helps to dissipate the heat generated by the operation of the device. By covering the air vents of the cabinet, you risk overheating and damage of the device. You must ensure that the air circulation will not be prevented by covering the air vents with e.g. newspaper, tablecloth, curtain, etc. Follow the installation instructions in the manual.
- Do not install the device in direct sunlight, or close to heat sources, like radiators, heat exchangers, stoves or other appliances (including amplifiers) producing heat. High temperatures shorten the life of the electronic components of the device significantly. Do not use and do not leave the device near an open fire.
- **The device must not be exposed to dripping or running water and you must not place upon it objects filled with liquid, e.g. vases.** Protect the device against becoming wet, sprayed on or poured on by any liquid, do not leave or install the device outdoors. Do not use the device outdoors. You risk electric shock or fire by not adhering to these instructions.
- Do not use the device close to water.
- Do not attempt to bypass the safety function of the polarized plug. If the plug cannot be plugged into your socket, refer to an electrician to replace your obsolete socket.
- Before plugging the device into the socket make sure the voltage in your socket corresponds with the voltage on the label of the device or power adapter.

- Make sure the power cord is not stepped on or compressed, especially near the plug and point leading from the device or adapter. The power plug (adapter) is used to disconnect the system and must be easy to access.
- Remember to always unplug the plug (adapter) from the socket before unplugging the power cord.
- Disconnect the power cord from the power outlet during thunderstorms, or when not in use for a longer period of time.
- Avoid carrying the device from a cool environment into a warm environment or vice versa, or operating the device in a moist environment. Air moisture may condense in some areas within the device case and may cause the device to become temporarily inoperable. In this case, leave the device in a warm and well-ventilated area and leave for 1–2 hours until the moisture evaporates. The device can be normally used again. Pay attention especially when using it in cold season.
- Under no circumstances are the manufacturer or vendor liable for any direct or indirect damage caused by the failure to observe the instructions for installation, configuration, operation, treatment and cleaning of this device included within this manual.

### Repairs and maintenance

- To avoid risks of electric shock or fire, do not remove the device from the case – the case does not contain components that the user could repair or adjust without the necessary equipment and qualification. Refer to a professional service centre if your device requires service.
- In the event of any unusual occurrences during the use of the device, e.g. smelling the characteristic smell of burning insulation or even seeing a smoke, turn the device off immediately, disconnect the power supply and wait with continuing use of the device until you learn the result of its inspection by the service personnel.
- Leave all service to qualified service personnel. Service is necessary when the device is damaged in any way, for example in case of damage to the power cord, spilling liquid on the device, intrusion of foreign objects into the device, when the device is exposed to rain or moisture, if the device does not function in the usual manner or if it fell.
- Before cleaning, transferring and other maintenance disconnect the power plug (adapter) from the power outlet.
- Clean the device with a dry cloth only.
- Do not use gasoline, thinner or other solvents or abrasives, scouring pads, or sponges with scouring pads to clean the device.



#### **WARNING**

**To prevent risk of fire or electric shock, do not expose the device to rain or moisture.**

**WARNING**

**The batteries must not be exposed to excessive heat, for example sunlight, fire, etc.**

**USB connector, notes on the use of the device:**

USB memory devices require being connected directly into the device. To prevent a failing or interrupting data transfer, do not use USB extension cable.

Electrostatic discharge can cause the device to not function. In this case, the user must restart the device.

Before using a USB memory device, test that it communicates with the device and its read and write speed.

For maximum reading speed, we recommend to keep the disc space defragmented. Use file system FAT32, single partition, no protection. If the reading/writing of the memory device is not smooth, it can lead to undesirable effects, such as interruption of the image (blocky image) or failure of whole frames, audio malfunctions, and in extreme cases, stopping of the operation. Unexpected behaviour of the memory device or the presence of viruses or other malware, may cause stopping of functioning of the device and need to be restarted.

USB connector **PLAYBACK** is standard and cannot power high-capacity USB devices (such as HDD disks). Use a device with its own power and power them with their own power supply.

The device was designed with respect to maximum compatibility with memory devices. Considering the variety of devices on the market, we cannot guarantee compatibility with every USB device available. Should problems persist, use another memory device.

USB connector **CHARGING** is designed to charge devices (up to 2,1 V) and can not play music.

**WARNING:** Do not open. There are no parts inside the device replaceable by the user. Leave repairs to a qualified technician.

**WARNING:** Never use a lubricant for any part of this device.

**WARNING:** Place the device on a level, firm and stable surface.

**WARNING:** Do not place this device on any other electrical device.

**DECLARATION: Our company reserves the right to review the contents of this manual without prior notice.**

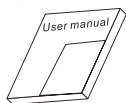
## 2. Features

Thank you for buying our product. The audio system is designed for strong and good quality sound from many sources and their accompanying light effects. It is designed for domestic use at room temperatures without dripping liquids or condensing humidity. Please, read the operating manual to use it properly. Keep the manual for future reference.

- Strong, quadruple digital amplifier for full sound
- Robust construction
- Playing sound via Bluetooth connection
- Line input
- FM tuner
- USB slots
- Microphone inputs
- Equalizer with presets

### The content of the package besides the product itself:

This operating manual



Antenna

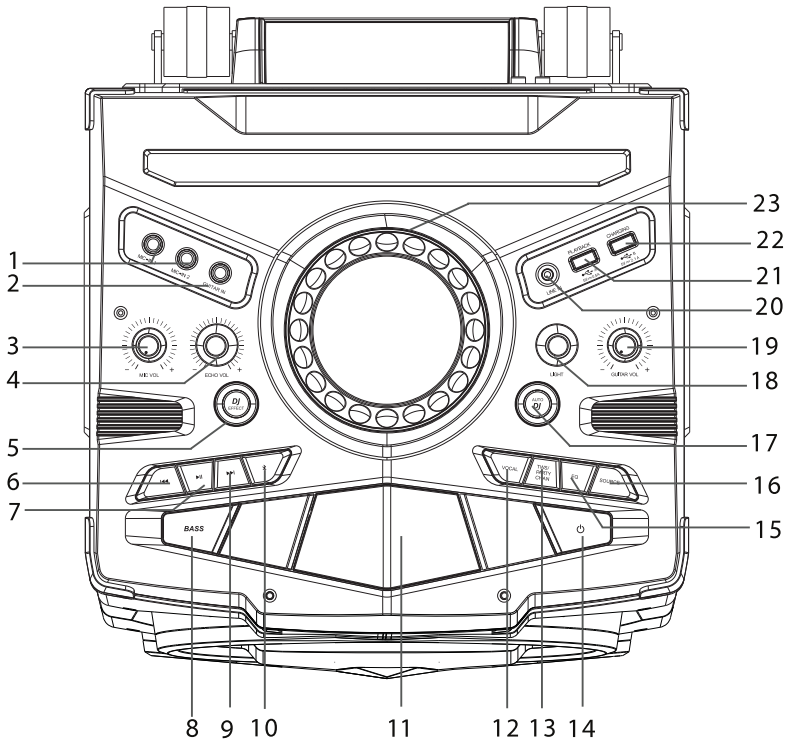


Power cable



## 3. Description

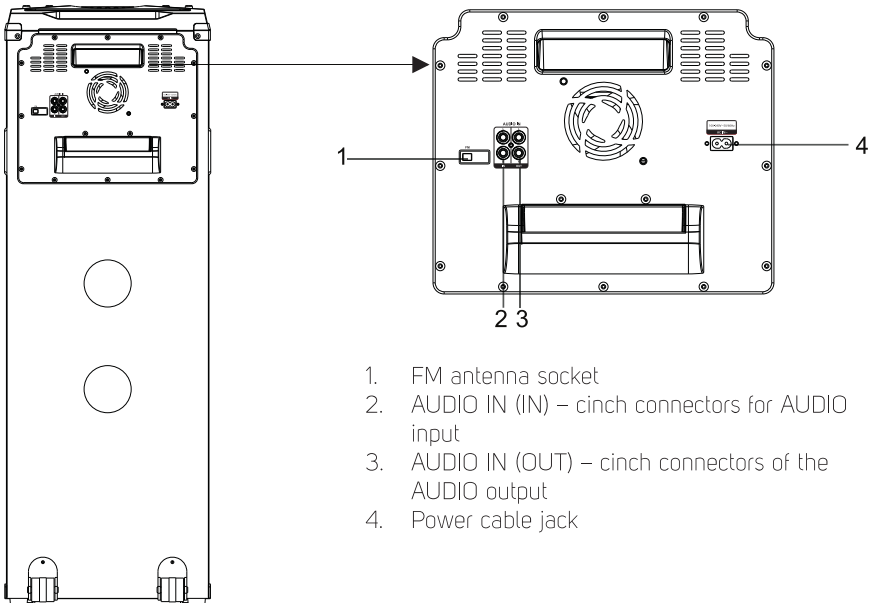
### 3.1. Upper panel:



1. Microphone inputs (jack 6,3 mm)
2. GUITAR (jack 6,3 mm) input
3. Adjusting the microphone volume
4. ECHO
5. DJ EFFECT – selection of 7 different DJ effects started by the Master Volume knob
6. Button Previous (PREVIOUS) – for playback, for lower FM tuner number of the previously saved preset.
7. Button Play/Pause (Play/Pause) – for media playback, for search of FM tuner bandwidth and saving the found stations, for Bluetooth – press and hold disconnects the currently connected source.
8. BASS (Turns on a very strong bass sound)
9. Button Next (NEXT), for higher number of FM tuner of a previously saved preset.
10. BT – direct selection of the Bluetooth input
11. Status display

12. VOCAL (ON/OFF) - partial suppression of original singing in music for your own singing into the microphone
13. TWS/PARTY CHAN – a brief press selects channels for playback (LEFT/RIGHT/STEREO), long press turns on/off a wireless connection of two audio systems.
14. On/off switch (On/Off switch)
15. EQ (BALANCE-FUNK/ROCK/JAZZ/SAMBA/POP) button.
16. SOURCE (audio source selection) – switches cyclically between BT, USB, FM, LINE, AUDIO.
17. AUTO DJ – automatic selection of 3 sound effects according to the music style.
18. LIGHT (light effect selection) – press to select from several effects incl. shutdown, press long to set dimming of the back and bottom lights.
19. GUITAR VOLUME (guitar volume input)
20. Stereo line input (mini-jack 3,5 mm)
21. Port USB A PLAYBACK (for music playback)
22. Port USB B (CHARGING) only for charging
23. MASTER VOLUME (Volume setting knob) – the so-called infinite potentiometer has no zero position. The change of the volume status shows on the display e.g. "VOL 12". The range is 40 steps.

### 3.2. Rear wall:



## 4. Use


### 4.1. Handling and preparation for operation

The audio system is equipped with two wheels on the rear wall and a large handle (3 ×) for easy moving.

On the top panel in the back is a groove for the insertion of modern music sources such as your tablet or mobile phone. Before putting them there, make sure that source sits firmly in the groove and can not fall out during operation.

On the rear wall are separate circular outputs of bass reflexes from both woofers. They use the bass energy from the back side of the membrane. It is necessary for their optimum effect that the bass reflex outputs are not covered, clogged or that the audio system is not pressed against the wall. Distance it during the operation at least 10 cm from the wall, but better would be at least 20 cm.

### 4.2. Wiring and operation

Perform the cable connecting while the audio system is switched into the Standby mode. Make sure that you use good quality cables. Do not subject the input and output connection points to undue mechanical stress. After you perform the connections, press  to turn the audio system on.

#### Tip for volume adjustment

First, set the volume at the source of the signal or on the audio system to minimum, then gradually increase to required level. Avoid unpleasant surprises with very loud sound when the volume is incorrectly set. Keep the volume of all degrees under the level that could cause a distortion. Do not leave on the external source of signal even a very low volume, as it could be evaluated by the audio systems as a no signal and the shut-off of the audio system could be activated.

#### 4.2.1. LINE IN input

You can plug in the LINE IN input using cable with mini-jack 3.5 mm an external stereo analogue signal source, such as MP3 player, cell phone, etc. Press SOURCE repeatedly until the display shows "LINE".

#### 4.2.2. Input AUDIO IN, output AUDIO, PARTY mode

The input **Audio** with RCA/Cinch connectors is located on the rear side of the device and can be used as an external signal source as well as for cable connection with another SSS4200 system. Using the **PARTY** button you can also specify that one system will play only the left channel (LEFT), the second system the right channel (RIGHT) or both channels (STEREO)

### 4.2.3. Bluetooth connection

Press repeatedly the button SOURCE until the display shows the message BLUETOOTH. The speakers emit a short sound and the display shows NO BT (no Bluetooth connection is active).

Turn on the Bluetooth on your device (phone, tablet) and from the found devices select the SSS 4200 for pairing. If your device would require a pairing code, enter 0000. Once the devices are mutually verified, the Bluetooth connection is set up and the audio system shows BT on the display and plays a short melody. If you do not deliberately cancel the pairing in your device, the next time the two are on there is no need for performing the pairing again; once both are in the Bluetooth mode, after a while they automatically connect and the display shows the message and plays a melody. This usually applies, if the last connected device in your device is the audio system or if you gave it a priority. For differences in operation, see the instruction manual of your connected device. With an active Bluetooth connection to your device that is properly equipped, you can use the audio system for basic controls of your device, using the buttons PLAY / PAUSE, PREV, NEXT to pause and start playing and to skip to the next or previous track.

#### Linking TWS (True Wireless Stereo)

You can set up wireless connection between two SSS 4200 systems using the TWS function.

- on both switched on systems, long press the TWS button at the same time, the TWS message appears on the display.
- use the NEXT/PREVIOUS buttons to select HOST on one system (host, left) and SLAVE on the other (slave, right). Wait a moment to make the connection, the asterisks on the display will stop flashing.
- connect the Bluetooth device for playback and start playback, control of the playback works on the system the same as in the case of BT playback on one system.
- to end the TWS operation long press again the TWS button.



#### NOTICE:

Long press of the PLAY / PAUSE button in the Bluetooth mode is used to disconnect the currently active Bluetooth connection, if you want to e.g. connect another device.

#### Notes:

The range of the Bluetooth connection is about 10 m and depends on ambient interference in the wireless range. Therefore keep the distance of your device from the audio system to a minimum.

Volume of the sound source (on your device) in the Bluetooth system is usually independent of other settings. For satisfactory playback, set it to maximum or near maximum and control the playback volume exclusively on the audio system.

#### 4.2.4. Playback from USB

USB port: after inserting the media and manual selecting input USB, the audio system searches the connected memory, and the first music file will start playing. If the memory does not contain any playable files, the display will show "NO FILE". Although the number of tracks is practically unlimited, orientation in larger collections can be difficult, so we recommend using smaller memory sizes, along with a smaller total amount of files and a clear division of the content into folders.

**Note:**

Keep the openings and contacts of the ports and slots clean. The playback reliability depends on the quality of connection.

**NOTICE ABOUT USB POWER SUPPLY:**

USB port **PLAYBACK** is designed to cover the operating losses of the connected devices and it is able to power the connected devices up to standard level, that is 500 mA. If you want to connect a device with a higher consumption than 500 mA, use an external source for its power supply.

USB connector **CHARGING** is designed to charge devices (up to 2,1 A) and can not play music.

**NOTICE ABOUT COMPATIBILITY:**

Despite the best efforts for compatibility, the usability of all USB and memory devices on the market can not be guaranteed. In case of problems, reformat the memory in your computer to file system FAT / FAT32 and upload the files again. If problems persist, do not continue to use this device and replace it with another. Remember in particular that prolonged use degrades memory devices (e.g. fragmentation of content or wear), and are prone to error due to higher temperatures, respectively temperature and humidity fluctuations. Do not use memory storages, which use special locks, protection, or hidden areas or files, or can be attacked by viruses. If there are irregularities in playback, discontinue the use of such memory, if the system stops altogether and can not be further operated (i.e. freezing), turn off the audio system, unplug it from the wall socket, remove the memory and then turn on the audio system normally.

#### 4.2.5. FM radio

Press repeatedly SOURCE to select the RADIO mode. The display shows the tuned frequency. When you press PLAY/PAUSE the audio system switches between frequency (FREQ SELECT) and presets (CH SELECT), long press PLAY/PAUSE to search the FM bandwidth (AUTOSCAN) and store up to 30 stations with sufficient signal as presets. Some presets may be blank or produce buzz, etc. These are interferences from, for

example, unshielded PCs that have the character of FM broadcasting. When the search is complete, you can scroll through the NEXT and REV buttons between the presets or gradually decrease/increase the frequency in the FREQ SELECT mode. You should extend the antenna on the back of the audio system for better reception.

### 4.3. Equalizer

The audio system is equipped with an internal equalizer. You can use any of 5 modes stored in the memory. These modes were originally prepared for various kinds of music and are named typically for various types of music (POP, FUNK, ROCK, JAZZ, SAMBA). Try setting the equalizer according to your own taste and played music. Setting without additional frequency adjustments is called BALANCE.

### 4.4. Microphone use

For commentary on music or singing Karaoke you can connect to audio system two equivalent mono dynamic microphones with asymmetric 6.3 mm jack connection. Microphone volume is set by special potentiometer under microphone inputs with an indicated minimum. In some cases (e.g. karaoke) it is appropriate to add to the microphone sound repeats/space by switching on the system ECHO.

**Note:**

Use good quality microphones and especially cables. Weak microphone signals are strongly amplified and any deficiency may manifest itself by increased noise, humming, whistling, crackling, etc.

**Tip:**

Set the volume of microphones carefully, always from the minimum. You will prevent unwanted feedback, which is very annoying loud noise caused by the amplified sound from the microphone, emitted through the speaker, again amplified, etc. until the loud sound feedback covers the entire sound of the music. To eliminate this, you can: reduce the volume of the microphone input, distance the microphone from the speakers. Also, use of good quality microphones with better directional characteristic. Most susceptible to feedback are microphones with spherical characteristic (omnidirectional), better is octal (bidirectional) characteristic, followed by kidney/cardiod characteristic (cardioid), or special, hypercardioid, gradient.

## 4.5. Using sound enhancement function

Audio system offers a function to enhance the sound, especially in the bass area, for special sound emphasis, which is important to you. Press BASS to turn on the function, BASS ON will be displayed and the same button turns off again, BASS OFF will appear on the display.

**Tip:**

The function of enhanced sound produces a very loud and powerful sound, try its use in advance.

## 5. Troubleshooting

In case of problems review possible solutions below before you call service.

Problems	Cause and solution
Cannot turn on	The power cord is not fully inserted in the outlets or is damaged or broken. Insert it correctly in the outlets or replace it with a new, undamaged one. Do not try to use a damaged power cable, it concerns your safety.
No sound from the required source	Playback is stopped or paused, the path of the sound is improperly set. First, check the cables and correct insertion of the connectors. Next, check that the source is playing and then make sure step by step that you have selected the correct audio input and each volume on the audio path is set to an appropriate non-zero level, e.g. in the mid-range.
Distorted sound	High volume. Reduce the overall volume level.
Distorted sound	Inappropriate levels on the sound path. Make sure that the volumes and levels are set properly (typically very large volume of the sound is in the next stage reduced to a minimum) and if the types of inputs and outputs are matched (e.g. a wrong thing is a connection of the line or headphone output into the microphone input).
Buttons do not work, the audio system does not react	Effect of static electricity or a critical error on a connected device. Disconnect the whole system from power, disconnect all connected devices and in a few minutes turn the audio system back on.
Unsatisfactory FM radio reception	Weak or static signal of FM stations. Move the audio system to another place, change the position or the length of the antenna extension. Some reception areas though are not covered by sufficient signal or are very noisy (cellars, industrial parks, dense development, etc.).
Bluetooth connection cannot be established	Incomplete connection initialization. Turn off the Bluetooth on the audio system and the connected system, turn it back on, cancel the pairing and locate it again and reset the pairing (or enter the code 0000).
Bluetooth is falling apart, BT controls do not work	Long distance between receiver and transmitter or radio interference, different functions of the two BT devices. Reduce the distance between the BT devices to an absolute minimum, reduce ambient noise, pair the two devices again.
Only half of the speakers work	The sound signal is not present in both the stereo channels. Make sure that the audio signal is not in only one of the channels (as planned by the author) or the cable is not faulty or that any of the connectors is not incorrectly inserted.

## 6. Technical specifications

Power	AC ~100–240 V, 50/60 Hz
Power consumption	500 W
Installed power	800 W (4×200 W)
Frequency range	50 Hz – 20 kHz
FM bandwidth	87,5-108 MHz
Operating temperature	0 to 35 °C
Working humidity	5 to 90 %, non-condensing
S/N ratio (USB, LINE)	60 dB
Bluetooth frequency range	2.402 to 2.480 GHz
Max. transmit power	< 20 dBm

The above given specifications can change without prior notice.

Manufacturer address: FAST ČR, a.s., Černokostelecká 1621, 251 01 Říčany

The original version is in Czech.

The CE symbol indicated on the device, in the user's manual and on the packaging indicates that the unit complies with the basic requirements of the R & TTE Directive 1995/5 / EC, Low Voltage Directive 73/23 / EEC. The declaration of conformity can be found at [www.sencor.cz](http://www.sencor.cz).

## INSTRUCTIONS AND INFORMATION REGARDING THE DISPOSAL OF USED PACKAGING MATERIALS

Dispose of packaging material at a public waste disposal site.



### DISPOSAL OF USED ELECTRICAL AND ELECTRONIC APPLIANCES

The meaning of the symbol on the product, its accessory or packaging indicates that this product shall not be treated as household waste. Please, dispose of this product at your applicable collection point for the recycling of electrical & electronic equipment waste. Alternatively in some states of the European Union or other European states you may return your products to your local retailer when buying an equivalent new product.

The correct disposal of this product will help save valuable natural resources and help in preventing the potential negative impact on the environment and human health, which could be caused as a result of improper liquidation of waste. Please ask your local authorities or the nearest waste collection centre for further details. The improper disposal of this type of waste may fall subject to national regulations for fines.

#### For business entities in the European Union

If you wish to dispose of an electrical or electronic device, request the necessary information from your seller or supplier.

#### Disposal in other countries outside the European Union

If you wish to dispose of this product, request the necessary information about the correct disposal method from local government departments or from your seller.



Hereby, FAST ČR a.s. declares that the radio equipment type SSS 4200 is in compliance with Directive 2014/53/EU.

The full text of the EU declaration of conformity is available at the following internet address: [www.sencor.eu](http://www.sencor.eu)

Changes to the text, design and technical specifications may occur without prior notice and we reserve the right to make these changes.

# SENCOR®

## EN Warranty conditions

**Warranty card is not a part of the device packaging.**

This product is warranted for the period of 24 months from the date of purchase to the end-user. Warranty is limited to the following conditions. Warranty is referred only to the customer goods using for common domestic use. The claim for service can be applied either at dealer's shop where the product was bought, or at below mentioned authorized service shops. The end-user is obligated to set up a claim immediately when the defects appeared but only till the end of warranty period. The end user is obligated to cooperate to certify the claiming defects. Only completed and clean (according to hygienic standards) product will be accepted. In case of eligible warranty claim the warranty period will be prolonged by the period from the date of claim application till the date of taking over the product by end-user, or the date the end-user is obligated to take it over. To obtain the service under this warranty, end-user is obligated to certify his claim with duly completed following documents: receipt, certificate of warranty, certificate of installation.

**This warranty is void especially if apply as follows:**

- Defects which were put on sale.
- Wear-out or damage caused by common use.
- The product was damaged by unprofessional or wrong installation, used in contrary to the applicable instruction manual, used in contrary to legal enactment and common process of use or used for another purpose which has been designed for.
- The product was damaged by uncared-for or insufficient maintenance.
- The product was damaged by dirt, accident of force majeure (natural disaster, fire, and flood).
- Defects on functionality caused by low duality of signal, electromagnetic field interference etc.
- The product was mechanically damaged (e.g. broken button, fall).
- Damage caused by use of unsuitable media, fillings, expendable supplies (batteries) or by unsuitable working conditions (e.g. high temperatures, high humidity, quakes).
- Repair, modification or other failure action to the product by unauthorized person.
- End-user did not prove enough his right to claim (time and place of purchase).
- Data on presented documents differs from data on products.
- Cases when the claiming product cannot be indentified according to the presented documents (e.g. the serial number or the warranty seal has been damaged).

**Authorized service centers**

Visit [www.sencor.eu](http://www.sencor.eu) for detailed information about authorized service centers.