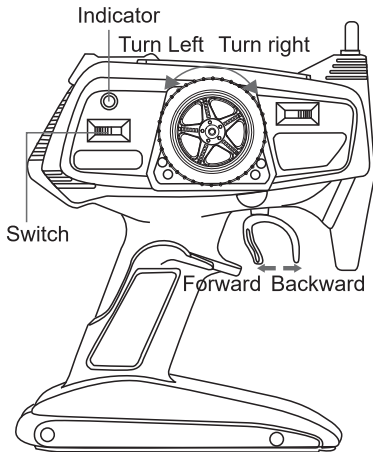
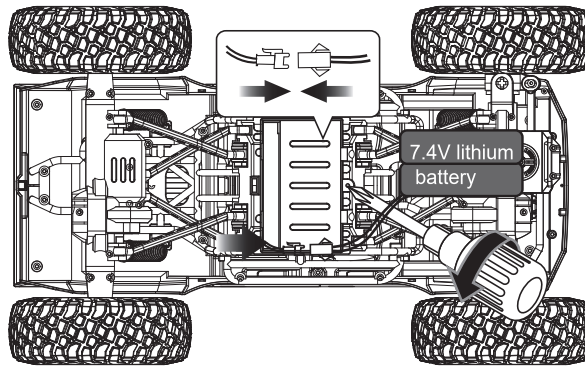


# Instruction for the 2.4G Climbing

## 1.About remote control

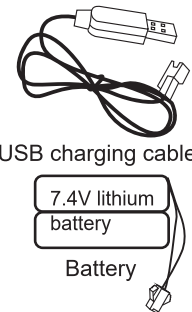


## 3. Car battery installation



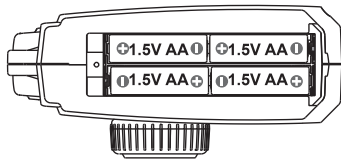
RC car (battery included)

Accessories:



Note:  
Remove the battery if you do not use it for a long time

## 2.Remote control battery installation



Battery for Remote 4X1.5 "AA" battery  
(Not included)

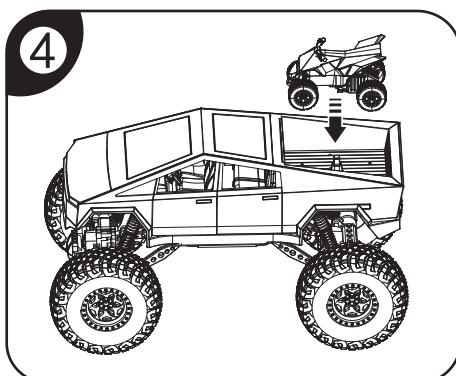
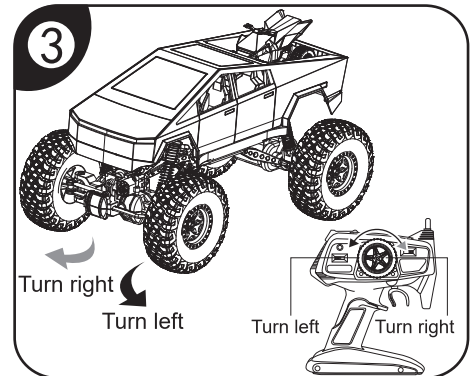
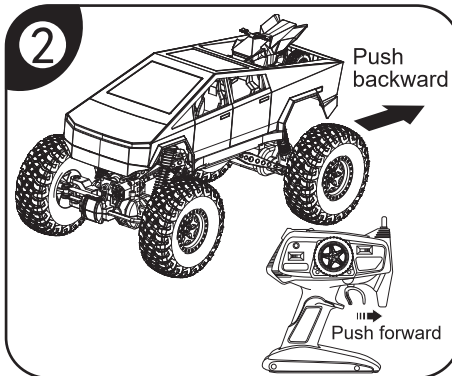
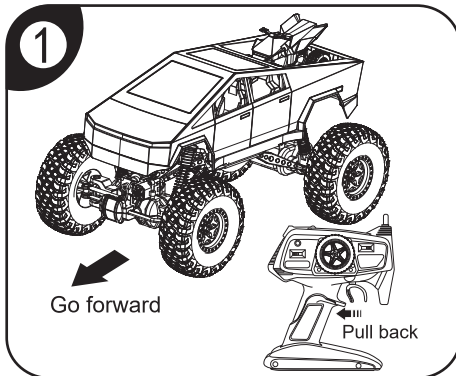
### The pairing of remote control:

First turn on the remote control. When the controller light is flashing, turn on the car. and then the light of remote is off, meaning the pairing is completed.

### Attention for Charging via USB:

1. Battery should be fully charged for the first time using. The battery will still self-discharge when not in use. If not in use for a long time, please ensure that the battery has about half of the power to prevent overdischarge damage. Overcharging can shorten battery life.
2. Please regularly check the cord, plug, casing and other accessories and stop using before being repaired if any damages are found.
3. Do not connect the toys with the power that is not recommended. Charging conditions: Connect the USB smart charging cable with the original battery.
4. Please use appropriate adapter instead of fast charger for charging.
5. Please use the right adapter for charging. Input: 100-240V~50/60Hz 0.2A; output: 7.4V --- 1000mA 0.5-1.5A
6. Charging notes: To charge the battery, please connect the battery with smart USB charging cable, which has access to power media with USB interface, such as: desktop, laptop, mobile power, USB socket. Alternatively, you can use a USB adapter to connect with the power for charging.
7. Please remove the battery for the remote control truck and the remote controller if they are not expected to use for a long period of time.

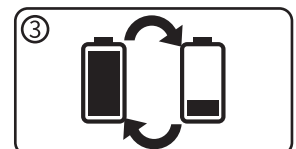
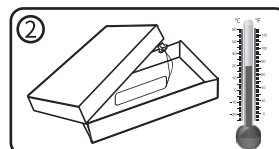
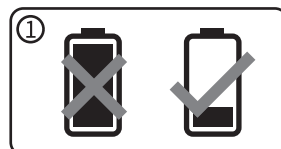
## 4. Remote control operation



The motorcycle can be removed from the car.

## 5.Battery Storage

1. Do not fully charge the battery before keeping it for a long time, otherwise it would result in the passivation, which speeds up the process of self-discharge.
2. Place the battery in dry indoor space with appropriate temperature between 10°C-30°C.
3. Conduct a charge cycle every other 3 months to keep it active and perform well."



\*Please read through this manual before operation and keep it properly for future reference.

### FCC Warning:

This device complies with part 15 of the FCC Rules. Operation is subject to the following two conditions:

- (1) This device may not cause harmful interference, and
- (2) this device must accept any interference received, including interference that may cause undesired operation.

Any Changes or modifications not expressly approved by the party responsible for compliance could void the user's authority to operate the equipment.

Note: This equipment has been tested and found to comply with the limits for a Class B digital device, pursuant to part 15 of the FCC Rules. These limits are designed to provide reasonable protection against harmful interference in a residential installation. This equipment generates uses and can radiate radio frequency energy and, if not installed and used in accordance with the instructions, may cause harmful interference to radio communications. However, there is no guarantee that interference will not occur in a particular installation. If this equipment does cause harmful interference to radio or television reception, which can be determined by turning the equipment off and on, the user is encouraged to try to correct the interference by one or more of the following measures:

- Reorient or relocate the receiving antenna.
- Increase the separation between the equipment and receiver.
- Connect the equipment into an outlet on a circuit different from that to which the receiver is connected.
- Consult the dealer or an experienced radio/TV technician for help.

### RF warning for Portable device:

The device has been evaluated to meet general RF exposure requirement.

The device can be used in portable exposure condition without restriction.