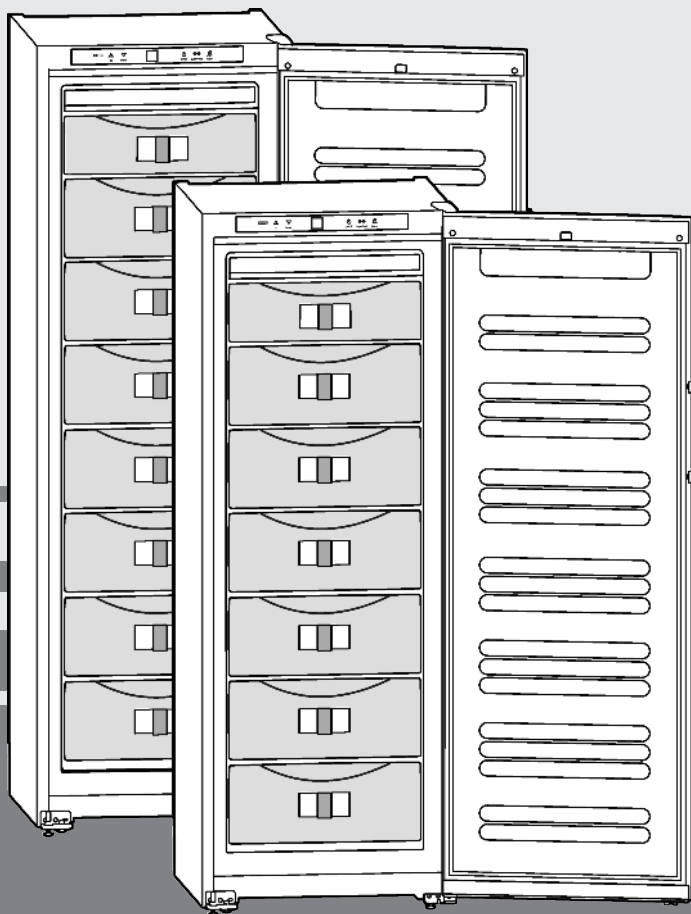


Operating instructions

Freezer

EN



240816 **7085576 - 01**

SGN(es)/GN(es) ... 6

LIEBHERR

Appliance at a glance

Contents

1	Appliance at a glance	2
1.1	Geräte- und Ausstattungsübersicht.....	2
1.2	Appliance range of use.....	2
1.3	Conformity.....	3
1.4	External dimensions of the appliance.....	3
1.5	Saving energy.....	3
1.6	Insulation plate.....	3
1.7	HomeDialog.....	3
2	General safety information	3
3	Controls and displays	4
3.1	Operating and control elements.....	4
3.2	Temperature display.....	5
4	Putting into operation	5
4.1	Transporting the appliance.....	5
4.2	Installing the appliance.....	5
4.3	Changing over the door hinges.....	6
4.4	Insertion into a row of kitchen units.....	8
4.5	Disposing of packaging.....	8
4.6	Connecting the appliance.....	8
4.7	Switching on the appliance.....	8
5	Control	8
5.1	Brightness of the temperature display.....	8
5.2	Child proofing.....	9
5.3	Door alarm.....	9
5.4	Temperature alarm.....	9
5.5	Freezing food.....	9
5.6	Thawing food.....	9
5.7	Setting the temperature.....	9
5.8	SuperFrost.....	10
5.9	Drawers.....	10
5.10	Shelves.....	10
5.11	VarioSpace.....	10
5.12	Drawer for herbs and berries.....	10
5.13	Cold storage accumulators.....	10
6	Maintenance	10
6.1	Defrosting with NoFrost.....	10
6.2	Cleaning the appliance.....	11
6.3	Customer service.....	11
7	Malfunctions	11
8	Decommissioning	12
8.1	Switching off the appliance.....	12
8.2	Taking the appliance out of service.....	12
9	Disposing of the appliance	12

The manufacturer works constantly on the further development of all the types and models. Therefore please understand that we have to reserve the right to make design, equipment and technical modifications.

To get to know all the benefits of your new appliance, please read the information contained in these instructions carefully.

The instructions apply to several models. Differences may occur. Text relating only to specific appliances is marked with an asterisk (*).

Instructions for action are marked with a ►, the results of action are marked with a ▷.

1 Appliance at a glance

1.1 Geräte- und Ausstattungsübersicht

Note

► Shelves, drawers and baskets are arranged for optimum energy efficiency on delivery.

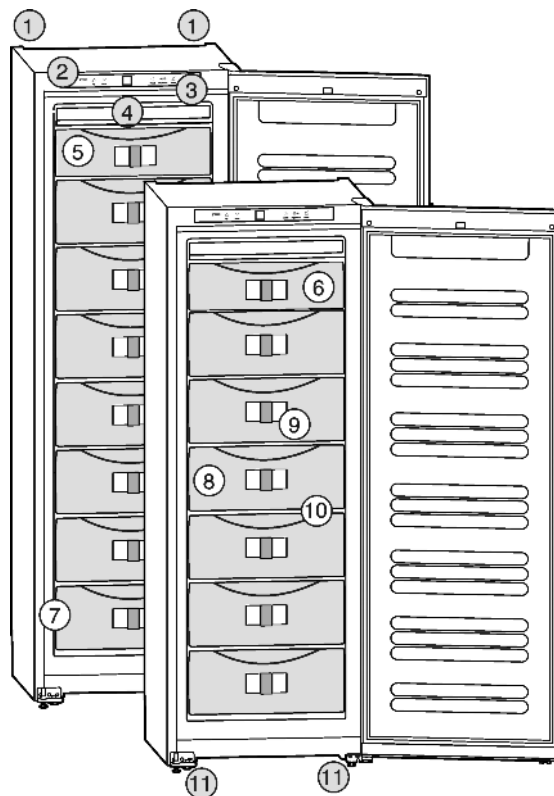


Fig. 1

- | | |
|----------------------------------|--------------------------------------------------------------------|
| (1) Transporttragegriffe hinten | (7) Typenschild |
| (2) Bedien- und Kontrollelemente | (8) Schubfächer |
| (3) LED-Innenbeleuchtung | (9) Info-System |
| (4) NoFrost-Einrichtung | (10) VarioSpace |
| (5) Kräuter- und Beerenfach | (11) Stellfüße, Transporttragegriffe vorn, Transportrollen hinten* |
| (6) Kälte-Akku | |

1.2 Appliance range of use

Intended use

The appliance is only suitable for refrigerating food in a domestic or domestic-like environment. This includes, for example, using

- in staff kitchens, bed and breakfast establishments,
- by guests in country houses, hotels, motels and other accommodation,
- for catering and similar services in the wholesale trade.

All other types of use are not permitted.

Foreseeable misuse

The following applications are expressly forbidden:

- Storing and refrigerating medicines, blood plasma, laboratory preparations or similar substances and products based on the Medical Device Directive 2007/47/EC
- Use in areas at risk of explosions

Misusing the appliance may lead to damage to the goods stored or they may spoil.

Climate classifications

Depending on the climate classification the appliance is designed to operate in restricted ambient temperatures. The climate classification applying to your appliance is printed on the rating plate.

Note

► Keep to the specified ambient temperatures in order to guarantee that the appliance works properly.

Climate classification	for ambient temperatures
SN, N	to 32 °C
ST	to 38 °C
T	to 43 °C

The appliance will work properly down to a lower ambient temperature of 5 °C.

1.3 Conformity

The refrigerant circuit has been tested for leaks. This appliance complies with the applicable safety stipulations and with directives 2014/35/EU, 2014/30/EU, 2009/125/EG, 2011/65/EU and 2010/30/EU.

1.4 External dimensions of the appliance

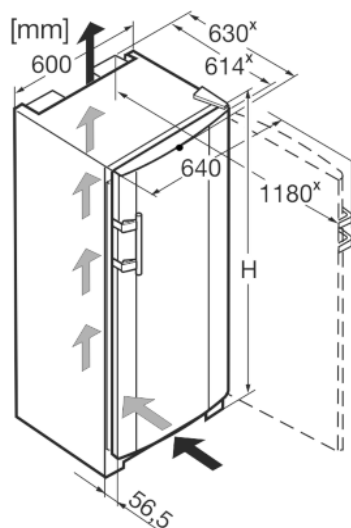


Fig. 2

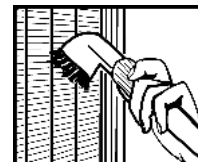
Model	Height of appliance H (mm)
SGNes 27..., SGN 27..	1655
SGNes 30..., SGN 30..., GN 30..., GNes 30..	1852

* For appliances supplied with wall spacers, the measurement increases by 35 mm (see 4.2).

1.5 Saving energy

- Pay attention to good ventilation. Do not cover ventilation holes or grids.

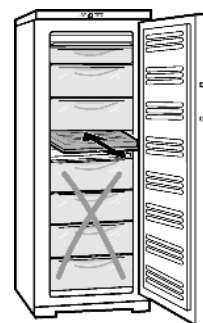
- Do not install the appliance in direct sunlight, next to an oven, radiator or similar.
 - Energy consumption is dependent on the installation conditions, e.g. ambient temperature (see 1.2). If the ambient temperature deviates from the standard temperature of 25°C, the energy consumption may differ.
 - Open the appliance for as short a time as possible.
 - The lower the temperature is set the higher the energy consumption.
 - Sort food before arranging (see Appliance at a glance).
 - Store all food well packaged and covered. A build up of frost is avoided.
 - Inserting hot food: let it cool to room temperature first.
- Dust deposits increase energy consumption:
- For refrigerators with heat exchangers dust the metal grid on the back of the appliance once a year.



1.6 Insulation plate

The insulation plate for part-load operation is available as an accessory from specialist dealers.

If you do not store much food in the appliance, you can reduce the power consumption by as much as 50 % by using the insulation plate. Up to 5 drawers can be de-energised, depending on model. At least 3 drawers are necessary for cooling. More information accompanies the insulation plate.



1.7 HomeDialog

Depending on model and options, the HomeDialog system can be used to network a number of Liebherr appliances (situated, for example, in the basement) with a main appliance (sited, for example, in the kitchen) and control them via the latter. You will find more information on the benefits, requirements and principle of operation on the internet at www.liebherr.com.



2 General safety information

Danger for the user:

- This appliance can be used by children from the age of 8 onwards. It can also be used by people with impaired physical, sensory or mental abilities or with a lack of experience and knowledge provided that they are supervised or have received instruction in the safe use of this appliance, and about the attendant hazards. Children must not play with this appliance. Cleaning and user maintenance work must not be carried out by children without adult supervision. Children aged between 3 and 8 are allowed to load and unload the appliance. Children below the age of 3 must be kept away from the appliance

Controls and displays

unless they are under continuous adult supervision.

- When disconnecting the appliance from the supply, always take hold of the plug. Do not pull the cable.
- In the event of a fault pull out the mains plug or deactivate the fuse.
- Do not damage the mains power cable. Do not operate the appliance with a defective mains power cable.
- Have any repairs to or intervention in the appliance, and any change of the mains power cable, carried out by the customer service only or by other specialised personnel trained for the purpose.
- Only assemble, connect and dispose of the appliance according to the instructions.
- Please keep these instructions in a safe place and pass them on to any subsequent owners.
- Special-purpose lamps (incandescent lamps, LEDs, fluorescent tubes) in the appliance serve to illuminate the appliance interior and are not suited for room illumination.

Fire hazard:

- The refrigerant R 600a is environmentally friendly but flammable. Escaping refrigerant may ignite.
 - Do not damage the refrigerant circuit pipes.
 - Do not allow naked flames or ignition sources to enter the appliance.
 - Do not use any electrical appliances in the interior (e.g. steam cleaners, heaters, ice cream maker etc.).
 - If refrigerant escapes: remove any naked flames or sources of ignition from the leakage area. Ventilate the room well. Notify the after-sales service.
- Do not store explosives or sprays using combustible propellants such as butane, propane, pentane, etc. in the appliance. To identify these spray cans, look for the list of contents printed on the can, or a flame symbol. Gases possibly escaping may ignite due to electrical components.
- Keep burning candles, lamps and other items with naked flames away from the appliance so that they do not set the appliance on fire.
- Please be sure to store alcoholic drinks or other packaging containing alcohol in tightly closed containers. Any alcohol that leaks out may be ignited by electrical components.

Danger of tipping and falling:

- Do not misuse the plinth, drawers, doors etc. as a step or for support. This applies particularly to children.

Danger of food poisoning:

- Do not consume food which has been stored too long.

Danger of frostbite, numbness and pain:

- Avoid lasting skin contact with cold surfaces or refrigerated/frozen food or take protective steps, e.g. wear gloves. Do not consume ice cream, water ice or ice cubes immediately and do not consume them too cold.


Danger of injury and damage:

- Hot steam can lead to injury. Do not use electrical heating or steam cleaning equipment, open flames or defrosting sprays to defrost.
- Do not use sharp implements to remove the ice.




Danger of crushing:

- Do not hold the hinge when opening and closing the door. Fingers may get caught.

Symbols on the appliance:

	The symbol can be located on the compressor. It refers to the oil in the compressor and indicates the following danger: Swallowing or inhaling can be fatal. This is only relevant for recycling. There is no danger in normal operation.
-----------------------------------------------------------------------------------	-------------------------------------------------------------------------------------------------------------------------------------------------------------------------------------------------------------------------------------------

Please observe the specific information in the other sections:

	DANGER	identifies a situation involving direct danger which, if not obviated, may result in death or severe bodily injury.
	WARNING	identifies a dangerous situation which, if not obviated, may result in death or severe bodily injury.
	CAUTION	identifies a dangerous situation which, if not obviated, may result in minor or medium bodily injury.
	NOTICE	identifies a dangerous situation which, if not obviated, may result in damage to property.
	Note	identifies useful information and tips.

3 Controls and displays

3.1 Operating and control elements

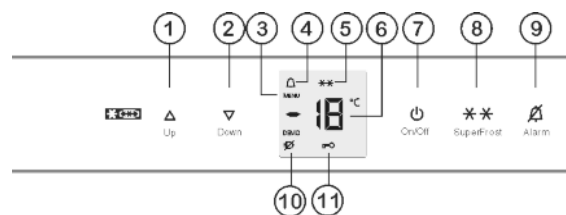


Fig. 3

- | | |
|-------------------------|----------------------------|
| (1) Up setting button | (7) On/Off button |
| (2) Down setting button | (8) SuperFrost button |
| (3) Menu symbol | (9) Alarm button |
| (4) Alarm symbol | (10) Power failure symbol |
| (5) SuperFrost symbol | (11) Child-proofing symbol |

(6) Temperature display

3.2 Temperature display

During normal operation, the display shows:

- the highest freezing temperature

The temperature display flashes if/when:

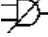
- You change the temperature setting
- The appliance is not cold enough after switching on
- The temperature rises by several degrees

Stripes flash in the display if/when:

- The freezer temperature exceeds 0 °C.

The following displays indicate a fault. Possible causes and solutions: (see Malfunction).

- **F0** to **F9**

- The power failure symbol  flashes.

4 Putting into operation

4.1 Transporting the appliance



CAUTION

Risk of injury and danger of damage as a result of incorrect transport!

- ▶ Transport the appliance in a packed condition.
- ▶ Transport the appliance upright.
- ▶ Do not transport the appliance without assistance.

4.2 Installing the appliance



WARNING

Fire hazard due to dampness!

If live parts or the mains lead become damp this may cause short circuits.

- ▶ The appliance is designed for use in enclosed areas. Do not operate the appliance outdoors or in areas where it is exposed to splash water or damp conditions.



WARNING

Risk of fire due to short circuit!

If the mains cable/connector of the appliance or of another appliance touch the rear of the appliance, the mains cable/connector may be damaged by the appliance vibrations, leading to a short circuit.

- ▶ Stand the appliance so that it is not touched by connectors or main cables.
- ▶ Do not plug the appliance or any others into sockets located near the rear of the appliance.



WARNING

Fire hazard due to refrigerant!

The refrigerant R 600a is environmentally friendly but flammable. Escaping refrigerant may ignite.

- ▶ Do not damage the piping of the refrigeration circuit.



WARNING

Fire hazard and danger of damage!

- ▶ Do not place appliances emitting heat e.g. microwaves, toasters etc. on the appliance!



WARNING

Blocked ventilation openings pose a risk of fire and damage!

- ▶ Always keep the ventilation openings clear. Always ensure that the appliance is properly ventilated!

NOTICE

Risk of damage due to condensate!

If your appliance is not a Side-by-Side (SBS) appliance:

- ▶ do not install the appliance directly alongside a further refrigerator/freezer.

- In the event that the appliance is damaged, contact the supplier immediately before connecting to the mains.
- The floor at the site must be flat and level.
- Do not install the appliance in a location where it is exposed to direct radiation of the sun, next to a cooker, heater and similar.
- The ideal installation site is a dry, well ventilated room.
- Always stand the appliance backed directly to the wall using the enclosed wall spacers (see below).
- The appliance may be moved only when it is empty.
- The surface supporting the appliance must be at the same level as the surrounding floor.
- Do not install the appliance without assistance.
- The more R 600a refrigerant there is in the appliance, the larger the room in which the appliance is standing needs to be. In rooms that are too small, a flammable mix of gas and air may be created if there is a leak. According to the EN 378 standard, every 11 g of R 600a refrigerant requires at least 1 m³ space in the room for the appliance. The amount of refrigerant in your appliance is on the type plate inside the appliance.
- ▶ Detach the connecting cable from the rear of the appliance, removing the cable holder at the same time because otherwise there will be vibratory noise!
- ▶ Remove the protective film from the outside of the appliance.*

NOTICE

The stainless steel doors are provided with a high-quality surface coating and must not be treated using the accompanying care product.



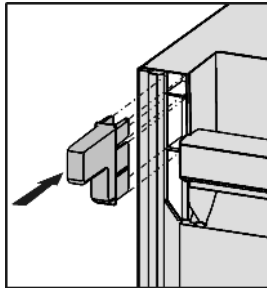
Otherwise the surface coating will be affected.

- ▶ Wipe the coated **door surfaces** using a soft, clean cloth only.
- ▶ Apply a stainless steel cleaner only to the **stainless steel side walls** evenly, wiping with the grain. Subsequent cleaning becomes easier as a result.
- ▶ Wipe **side walls with a paint finish** using a soft, clean cloth only.
- ▶ Remove all transit supports.

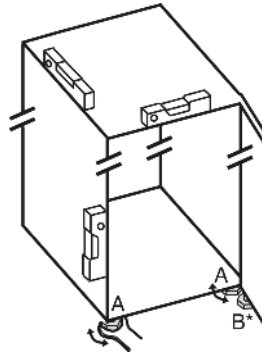
The spacers supplied with some appliances must be used to achieve the stated energy consumption. These will extend the depth of the appliance by approx. 35 mm. The appliance is fully functional if the spacers are not used, but does have a slightly higher energy consumption.

Putting into operation

- ▶ In the case of an appliance with enclosed wall spacers, mount the wall spacers on the back of the appliance at the top left and right.



- ▶ Dispose of packaging material (see 4.5).
- ▶ Align the appliance so that it stands firmly and on a level by applying the accompanying spanner to the adjustable-height feet (A) and using a spirit level.



When a Side-by-Side appliance (S...) is fitted together with a second appliance (as a SBS combination):

- ▶ Proceed according to the Side-by-Side combined fridge-freezer installation instructions. (Accessories bag of the SBS freezer/appliance with freezer compartment)

Note

- ▶ Clean the appliance (see 6.2).

If the appliance is installed in a very damp environment, condensate may form on the outside of the appliance.

- ▶ Always see to good ventilation at the installation site.

4.3 Changing over the door hinges

You can change over the door hinges if necessary.

NOTICE

Risk of damage to side-by-side appliances due to condensation!

When a side-by-side appliance (S...) is fitted together with a second appliance (as a SBS combination), the door hinges must remain as delivered.

- ▶ Do not change over the door hinges.

Ensure that the following tools are to hand:

- Torx® 25
- Torx® 15
- Screwdriver
- Battery-powered screwdriver, if necessary
- Second person for fitting work, if needed
- Accompanying Allen key size 2*

4.3.1 Detaching the door

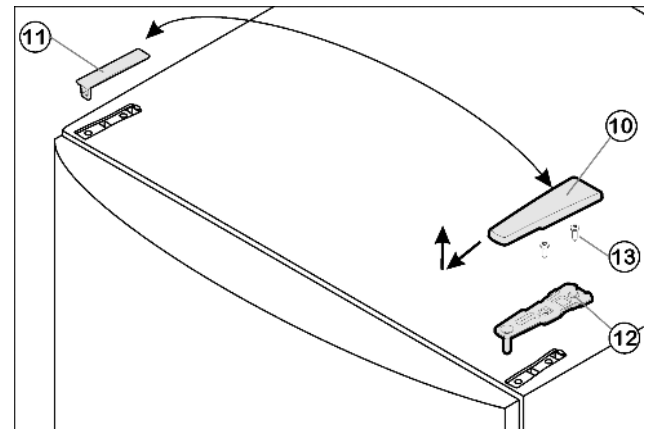


Fig. 4

- ▶ Close the door.
- ▶ Pull off the cover Fig. 4 (10) forwards and upwards.
- ▶ Lift off the cover Fig. 4 (11).



CAUTION

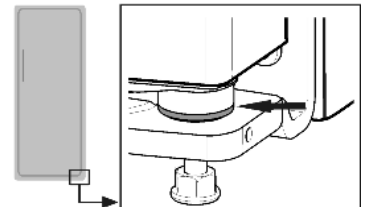
- Risk of injury if the door tips!
- ▶ Take good hold of the door.
- ▶ Set down the door carefully.

- ▶ Unscrew the upper turn hinge Fig. 4 (12)(2x Torx® 25) Fig. 4 (13) and lift it off.
- ▶ Lift off the door and set it aside.

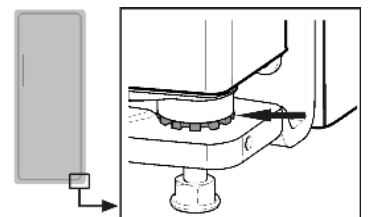
4.3.2 Distinguishing between bearing elements

Some appliances are height-adjustable, as can be noted from the bearing pin in the lower turn hinge:

- ▶ For appliances **without height adjustment**, continue with item (see 4.3.3).



- ▶ For appliances **with height adjustment**, continue with item (see 4.3.4).



4.3.3 Changing the bearing parts for appliances without height adjustment

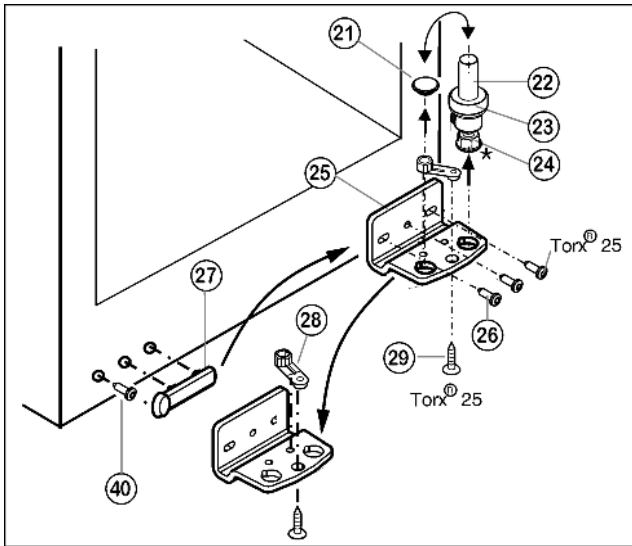


Fig. 5

- ▶ Lift out the bearing pin Fig. 5 (22) together with washer Fig. 5 (23) and adjustable-height foot* Fig. 5 (24).
- ▶ Lift off the stopper Fig. 5 (21).
- ▶ Unscrew Fig. 5 (26) the turn hinge Fig. 5 (25).
- ▶ Unscrew Fig. 5 (29) the bearing element Fig. 5 (28), transfer it to the opposite location hole of the turn hinge and screw it firmly into place.
- ▶ Carefully lift off the cover on the handle side Fig. 5 (27), undo the screw Fig. 5 (40) and transfer both to the opposite side.
- ▶ Screw the turn hinge Fig. 5 (25) firmly into place on the new hinge side, possibly using a cordless screwdriver (with 4 Nm).
- ▶ Re-insert the stopper Fig. 5 (21) into the other hole.
- ▶ Re-insert the bearing pin Fig. 5 (22) together with the washer and adjustable-height foot*. In so doing, pay attention that the locating lug points backwards

4.3.4 Changing the bearing parts

For appliances with height adjustment

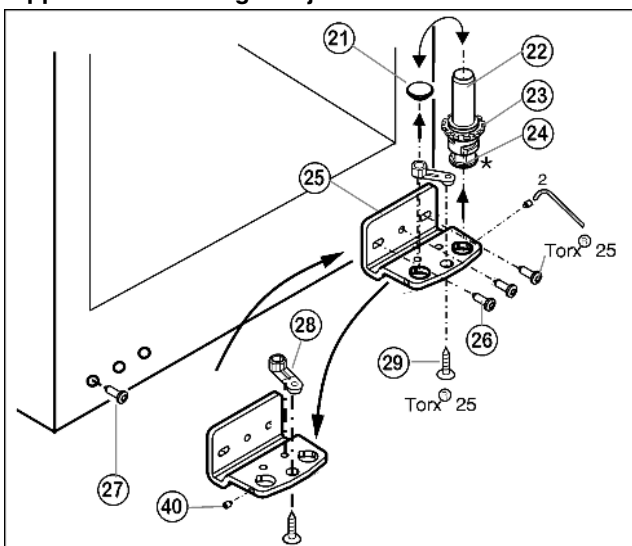


Fig. 6

- ▶ Using the accompanying Allen key, unscrew the threaded pin Fig. 6 (40) by about 1 turn.
- ▶ Turn and lift out the bearing pin Fig. 6 (22) together with the washer Fig. 6 (23) and adjustable-height foot* Fig. 6 (24).
- ▶ Lift out the stopper Fig. 6 (21).
- ▶ Unscrew Fig. 6 (26) the turn hinge Fig. 6 (25).
- ▶ Fully unscrew the threaded pin Fig. 6 (40) and screw it in on the opposite side, at the turn hinge, until it is flush outside with the turn hinge.

- ▶ Unscrew Fig. 6 (29) the bearing element Fig. 6 (28) transfer it to the opposite location hole of the turn hinge and screw it firmly into place.
- ▶ Re-insert the stopper Fig. 6 (21) into the other hole.
- ▶ Undo the screw Fig. 6 (27) and transfer it to the opposite side.
- ▶ Screw the turn hinge Fig. 6 (25) firmly into place on the new hinge side, possibly using a cordless screwdriver (with 4 Nm).
- ▶ Re-insert the bearing pin Fig. 6 (22) together with the washer and adjustable-height foot*.
- ▶ Tighten the threaded pin Fig. 6 (40).

4.3.5 Transferring the handle

- ▶ Transfer the spring clamp Fig. 7 (31): Depress the latch nose and pull the spring clamp off over it.
- ▶ Slide the spring clamp into place on the new hinge side until it clicks into place.

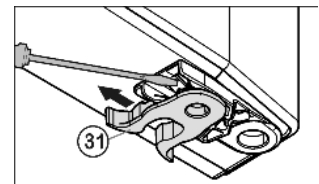


Fig. 7

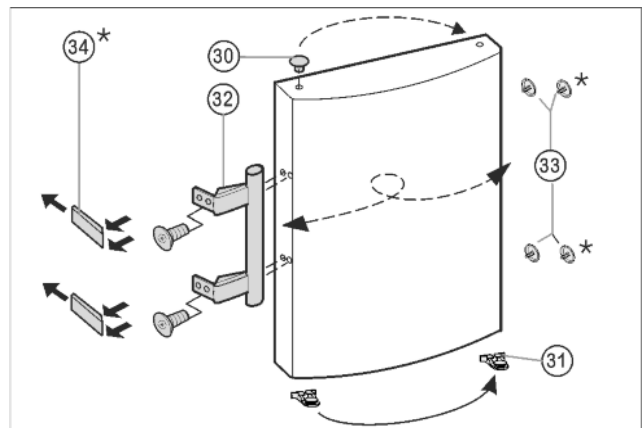


Fig. 8

- ▶ Lift the stopper Fig. 8 (33) out of the door bearing bush and transfer it.
- ▶ Dismantle the door handle Fig. 8 (32), stoppers Fig. 8 (33) and pressure plates* Fig. 8 (34) and transfer to the opposite side.
- ▶ When fitting the pressure plates on the opposite side, make sure they snap properly into place.*

4.3.6 Fitting the door

- ▶ Place the door from above onto the lower bearing pin Fig. 6 (22).
- ▶ Close the door.
- ▶ Insert the upper turn hinge Fig. 4 (12) in the door on the new hinge side.
- ▶ Screw the upper turn hinge Fig. 4 (12) firmly into place (with 4 Nm) (2x Torx® 25) Fig. 4 (13). Possibly make preliminary holes with a bradawl or use a cordless screwdriver.
- ▶ Snap the cover Fig. 4 (10) and cover Fig. 4 (11) into place at the opposite side.

4.3.7 Aligning the door

- ▶ Align the door to the appliance housing by way of the two oblong holes in the bottom turn hinge Fig. 6 (25). To do so, unscrew the middle screw.

Control



WARNING

Risk of injury due to the door dropping out!
If the bearing parts are not screwed into place firmly enough, the door may drop out. This may lead to severe injuries. What is more, the door may not close and therefore the appliance may fail to cool properly.

- ▶ Screw the turn hinges firmly into place with 4 Nm.
- ▶ Check all of the screws and retighten if necessary.

4.4 Insertion into a row of kitchen units

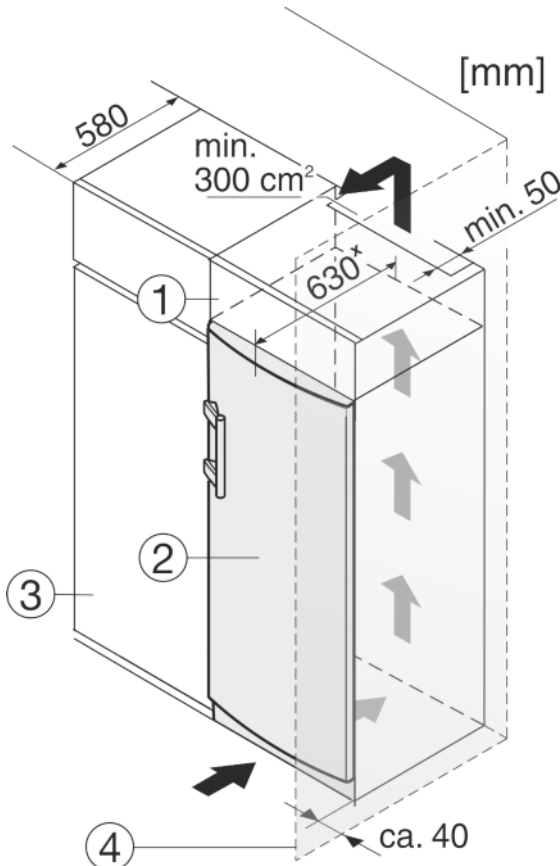


Fig. 9

- (1) Stack cabinet (3) Kitchen cabinet
(2) Appliance (4) Wall

* For appliances supplied with wall spacers, the measurement increases by 35 mm (see 4.2).

The appliance can be built into kitchen units. A top cupboard Fig. 9 (2) can be added above the appliance in order to bring the appliance Fig. 9 (1) up to the height of the fitted kitchen units.

When installing with kitchen units (max. depth 580 mm), the appliance can be positioned directly next to the kitchen cabinet Fig. 9 (3). The appliance will project by 34 mm* at the sides and 50 mm* in the centre of the appliance in relation to the kitchen cabinet front.

Ventilation requirements:

- At the back of the stack cabinet there has to be a ventilation duct of at least 50 mm depth throughout the width of the stack cabinet.
- The cross section of the ventilation gap below the ceiling must be at least 300 cm².
- the larger the ventilation space, the more energy-saving the appliance is in operation.

If the appliance is installed with the hinges next to a wall Fig. 9 (4), the distance between appliance and wall has to be at least 40 mm. This corresponds to the projection of the handle when the door is open.

4.5 Disposing of packaging



WARNING

Danger of suffocation due to packing material and plastic film!
▶ Do not allow children to play with packing material.

The packaging is made of recyclable materials:

- corrugated board/cardboard
 - expanded polystyrene parts
 - polythene bags and sheets
 - polypropylene straps
 - nailed wooden frame with polyethylene panel*
- ▶ Take the packaging material to an official collecting point.



4.6 Connecting the appliance

NOTICE

Failure to connect properly
Damage to the electronics.
▶ Do not use a standalone inverter.
▶ Do not use an energy saving plug.



WARNING

Failure to connect properly
Fire.
▶ Do not use an extension cable.
▶ Do not use distributor blocks.

The type of current (alternating current) and voltage at the installation site have to conform with the data on the type plate (see Appliance at a glance).

The socket must be properly earthed and fused. The tripping current for the fuse must be between 10 A and 16 A.

The socket must be easily accessible so that the appliance can be quickly disconnected from the supply in an emergency. It must be outside the area of the rear of the appliance.

- ▶ Check the electrical connection.
- ▶ Plug in the power plug.



4.7 Switching on the appliance

Switch on the appliance approx. 2 hours before adding frozen food for the first time.

Do not load food to be frozen before the temperature display reads -18 °C.

- ▶ Press On/Off button Fig. 3 (7).
- ▷ The interior light is on when the door is open.
- ▷ If "DEMO" is displayed, demo mode is activated. Please contact the after sales service.



5 Control

5.1 Brightness of the temperature display

You can adjust the brightness of the temperature display to the light conditions of the room in which the appliance is installed.

The function works with the door closed and is not relevant for appliances with a concealed screen.

5.1.1 Adjusting the brightness

The brightness is adjustable between **h0** (no illumination) and **h5** (maximum luminosity).

- ▶ To activate the setting mode: press the SuperFrost button *Fig. 3 (8)* for about 5 s.
- ▷ The display indicates **c**.
- ▷ The menu symbol *Fig. 3 (3)* shines.
- ▶ Using the Up setting button *Fig. 3 (1)* or Down setting button, *Fig. 3 (2)*, select **h**.
- ▶ To confirm: briefly press the SuperFrost button *Fig. 3 (8)*.
- ▶ To make the display brighter: press Up button *Fig. 3 (1)*.
- ▶ To make the display darker: press Down button *Fig. 3 (2)*.
- ▶ To confirm: press SuperFrost button *Fig. 3 (8)*.
- ▷ The brightness is adjusted to the new value.
- ▶ To deactivate the set-up mode: press On/Off button *Fig. 3 (7)*.



-or-

- ▶ Wait for 5 minutes.
- ▷ The temperature is indicated again in the temperature display.

5.2 Child proofing

The child-proofing function enables you to make sure that the appliance is not inadvertently switched off by playing children.



5.2.1 Setting the child lock function

- ▶ To activate the setting mode: press SuperFrost button *Fig. 3 (8)* for about 5 s.
- ▷ **c** flashes on the display.
- ▷ The menu symbol *Fig. 3 (3)* shines.
- ▶ Briefly press the SuperFrost button *Fig. 3 (8)* to confirm.
- When **cl** is indicated in the display:
- ▶ To activate the child lock, briefly press the SuperFrost button *Fig. 3 (8)*.



- ▷ The child lock symbol *Fig. 3 (11)* shines. **c** flashes in the display.
- When **cl0** is indicated in the display:
- ▶ to deactivate the child lock, briefly press the SuperFrost button *Fig. 3 (8)*.
- ▷ The child lock symbol *Fig. 3 (11)* goes out. **c** flashes in the display.
- ▶ To deactivate the set-up mode: press On/Off button *Fig. 3 (7)*.

-or-

- ▶ Wait for 5 minutes.
- ▷ The temperature is indicated again in the temperature display.

5.3 Door alarm

An audible warning sounds if the door is open for longer than 60 seconds.

The audible warning stops automatically when the door is closed.



5.3.1 Muting the door alarm

The audible alarm can be muted when the door is open. The sound switch-off function is active as long as the door is left open.

- ▶ Press alarm button *Fig. 3 (9)*.
- ▷ The door alarm is silenced.

5.4 Temperature alarm

The audible alarm sounds if the freezer temperature is not cold enough.

The temperature display and the alarm symbol *Fig. 3 (4)* flash at the same time.



EN

The cause of the temperature being too high may be:

- warm fresh food was placed inside
- too much warm ambient air flowed in when rearranging and removing food
- power failure for some time
- the appliance is faulty

The audible alarm is automatically silenced, the alarm symbol *Fig. 3 (4)* goes out and the temperature display stops flashing when the temperature is sufficiently cold again.

If the alarm status persists: (see Malfunction).

5.4.1 Muting the temperature alarm

The audible alarm can be muted. When the temperature is sufficiently cold again, the alarm function is active again.

- ▶ Press alarm button *Fig. 3 (9)*.
- ▷ The audible alarm is silenced.

5.5 Freezing food

The rating plate indicates the maximum quantity of fresh food you can freeze within 24 hours (see Appliance at a glance) under "Freezing capacity ... kg/24h".

The maximum load of frozen food for the drawers is 25 kg each and for the shelves 35 kg each.



CAUTION

Risk of injury due to broken glass!

Bottles and cans containing drinks may burst when being frozen. This applies particularly to sparkling drinks.

- ▶ Do not freeze bottles and cans containing drinks!

In order that the food is rapidly frozen through to the core, do not exceed the following quantities per pack:

- Fruit, vegetables up to 1 kg
- Meat up to 2.5 kg
- ▶ Pack the food in portions in freezer bags, reusable plastic, metal or aluminium containers.

5.6 Thawing food

- in the refrigerator compartment
- in a microwave oven
- in a conventional or fan oven
- at room temperature
- ▶ Food once thawed should be re-frozen only in exceptional cases.

5.7 Setting the temperature

The appliance is pre-set for normal operation.

The temperature can be set between -14 °C and -28 °C, the recommended temperature is -18 °C.

- ▶ To set the temperature higher: press Up button *Fig. 3 (1)*.
- ▶ To set the temperature lower: press Down button *Fig. 3 (2)*.
- ▷ When the button is pressed the first time, the previous value is indicated in the temperature display.
- ▶ To change the temperature in 1 °C steps: briefly press the button.

-or-

Maintenance

- ▶ To change the temperature continuously: hold down the button.
- ▷ The value is displayed flashing during the setting operation.
- ▷ The actual temperature is displayed approx. 5 seconds after the button is last pressed. The temperature gradually adjusts to the new value.

5.8 SuperFrost

With this function you can freeze fresh food quickly through to the core. The appliance operates with maximum refrigeration. The noise of the refrigeration unit may be temporarily louder as a result. **

The maximum amount of fresh food which can be frozen in 24 h is indicated on the type plate under "freezing capacity ... kg/24h". This amount varies according to the model and climate rating.

You have to activate SuperFrost in good time, depending on how much fresh food is to be frozen: about 6 hours before placing the food inside in case of small amounts and about 24 hours in advance in case of the maximum amount of food to be frozen.

Wrap produce and spread it out as far as possible. Do not allow produce to be frozen to touch produce that is already frozen to prevent the latter thawing.

You do not have to activate SuperFrost in the following cases:

- when placing frozen food in the freezer
- when freezing up to approx. 2 kg fresh food daily

5.8.1 Freezing with SuperFrost

- ▶ Briefly press the SuperFrost button *Fig. 3 (8)* once.
- ▷ The SuperFrost symbol *Fig. 3 (5)* shines.
- ▷ The freezing temperature drops, the appliance operates with the maximum cooling capacity.
 - For a smaller quantity of produce to be frozen:
 - ▶ wait approx. 6 h.
 - ▶ Place wrapped produce in the deep bottom drawers.
 - For the maximum quantity of produce to be frozen:
 - ▶ wait approx. 24 h.
 - ▶ Remove the deep bottom drawers and place produce directly on the bottom shelves.
- ▷ SuperFrost is automatically deactivated. Depending on the quantity placed inside, after 30 h at the earliest, 65 h at the latest.
- ▷ The SuperFrost symbol *Fig. 3 (5)* extinguishes once freezing is completed.
- ▶ Place produce in the drawers and push the latter back in again.
- ▷ The appliance continues to operate in the energy-saving, normal mode.

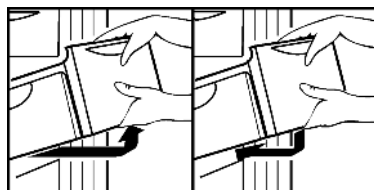
5.9 Drawers

Note

The energy consumption increases and the cooling performance decreases if there is insufficient ventilation.

For appliances with NoFrost:

- ▶ Leave the bottom drawer in the appliance!
- ▶ Always keep the air slits of the fan free at the rear wall!



- ▶ To store frozen food directly on the shelves: pull the drawer forwards and lift it out.

5.10 Shelves

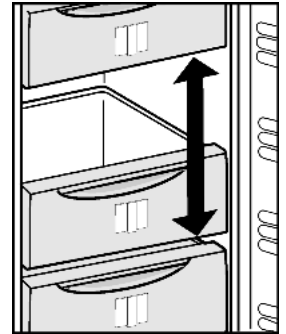
- ▶ To remove the shelf: lift up at the front and pull out.
- ▶ To put the shelf back: simply push in as far as it will go.



5.11 VarioSpace

Apart from being able to remove the drawers, you can also remove the shelves, creating space for large items of frozen food. Poultry, meat, large pieces of game and high bakery products can be frozen in one piece and prepared.

- ▶ The maximum load of frozen food for the drawers is 25 kg each and for the shelves 35 kg each.



5.12 Drawer for herbs and berries

In the drawer for herbs and berries you can freeze, berries, herbs, vegetables and other small items of food without them sticking together. Items being frozen will largely retain their shape, and it will be easier to remove exactly the right quantity later on.

5.12.1 Using the special drawer for herbs and berries

- ▶ Spread the items out loosely in the special drawer for herbs and berries.
- ▶ Allow the food to freeze through for 10 to 12 h.
- ▶ Transfer the frozen food to freezer bags or containers.
- ▶ Store freezer bags or containers in a drawer.
- ▶ To thaw the items, spread them out loosely again.

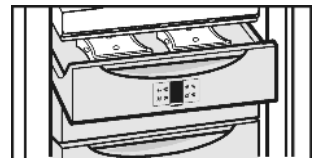


5.13 Cold storage accumulators

The cold storage accumulators prevent the temperature from rising too fast in the event of power failure.

5.13.1 Using cold storage accumulators

- ▶ Place the cold storage accumulators in the special drawer for herbs and berries to save space.
- ▶ Place the frozen cold storage accumulators on the frozen food in the upper front area of the freezer compartment.



6 Maintenance

6.1 Defrosting with NoFrost

The NoFrost system automatically defrosts the appliance.

The moisture condenses on the evaporator, is periodically defrosted and evaporates.

- ▶ The appliance does not have to be manually defrosted.

6.2 Cleaning the appliance



WARNING

Risk of injury and damage as a result of hot steam!
Hot steam can lead to burns and can damage the surfaces.

- ▶ Do not use any steam cleaners!

NOTICE

Incorrect cleaning damages the appliance!

- ▶ Do not use cleaning agents in concentrated form.
- ▶ Do not use any scouring or abrasive sponges or steel wool.
- ▶ Do not use any sharp or abrasive cleaning agents, nor any that contain sand, chloride or acid.
- ▶ Do not use chemical solvents.
- ▶ Do not damage or remove the type plate on the inside of the appliance. It is important for the customer service.
- ▶ Do not pull off, bend or damage cables or other components.
- ▶ Do not allow any cleaning water to enter the drain channel, ventilation grille or electrical parts.
- ▶ Please use soft cleaning cloths and a universal pH-neutral cleaning agent.
- ▶ Please use cleaning and care products suitable for contact with foodstuffs in the appliance interior.

- ▶ **Empty appliance.**
- ▶ **Pull out the power plug.**



- ▶ Clean **plastic outer and inner surfaces** with lukewarm water and a little washing-up liquid.

Do not apply stainless steel cleaning agent to glass or plastic surfaces to prevent them from being scratched. Darker areas at the beginning and quite an intensive colour of the stainless steel surface are normal.

NOTICE

The stainless steel doors are treated with a high quality surface coating and must not be treated with stainless steel care products.



Otherwise the surface coating will be affected.

- ▶ **Coated door surfaces** and **painted side walls** must only be wiped with a soft, clean cloth. If they are very dirty, use a little water or a neutral cleaner. A microfibre cloth may also be used.
- ▶ If the **stainless steel side walls** are dirty, clean them using a commercially available stainless steel cleaning agent. Then evenly apply the accompanying stainless steel care product, making strokes in the direction of the grain.

- ▶ Clean **items of equipment** by hand with lukewarm water and a little washing-up liquid.

After cleaning:

- ▶ Wipe dry the appliance and items of equipment.
- ▶ Connect the appliance and switch it on again.
- ▶ Switch on SuperFrost (see 5.8).
- ▶ When the temperature is sufficiently cold:
- ▶ Put the food back inside.

6.3 Customer service

First check whether you can correct the fault yourself by reference to the list (see Malfunction). If this is not the case, please contact the customer service whose address is given in the enclosed customer service list.



WARNING

Risk of injury if repair work is not carried out professionally!

- ▶ Have any repairs and action - not expressly specified - on the appliance and mains cable carried out by service personnel only. (see Maintenance)

- ▶ Read the appliance designation
Fig. 10 (1), service No. *Fig. 10 (2)* and serial No. *Fig. 10 (3)* off the type plate located inside the appliance on the left-hand side.

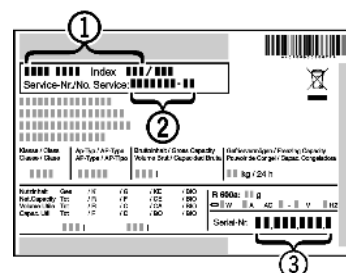


Fig. 10

- ▶ Notify the customer service, specifying the fault, appliance designation *Fig. 10 (1)*, service No. *Fig. 10 (2)* and serial No. *Fig. 10 (3)*.
- ▶ This will help us to provide you with a faster and more accurate service.
- ▶ Keep the appliance closed until the customer service arrives.
- ▶ The food will stay cool longer.
- ▶ Pull out the mains plug (not by pulling the connecting cable) or switch off the fuse.

7 Malfunctions

Your appliance is designed and manufactured for a long life span and reliable operation. If a malfunction nonetheless occurs during operation, check whether it is due to a handling error. In this case you will have to be charged for the costs incurred, even during the warranty period. You may be able to rectify the following faults yourself:

Appliance does not work.

- The appliance is not switched on.
- ▶ Switch on the appliance.
- The power plug is not properly inserted in the wall socket.
- ▶ Check power plug.
- The fuse of the wall socket is not in order.
- ▶ Check fuse.

The compressor runs for a long time.

- The compressor switches to a low speed when little cold is needed. Although the running time is increased as a result, energy is saved.
- ▶ This is normal in energy-saving models.
- SuperFrost is activated.
- ▶ The compressor runs for longer in order to rapidly cool the food. This is normal.

A LED on the bottom rear of the appliance (at the compressor) flashes regularly every 15 seconds*.

- The inverter is equipped with a diagnostic LED.
- ▶ The flashing is normal.

Excessive noise.

- Due to the various speed steps, speed-regulated* compressors can generate different running noises.
- ▶ The sound is normal.

A bubbling and gurgling noise.

- This noise comes from the refrigerant flowing in the refrigeration circuit.
- ▶ The sound is normal.

A quiet clicking noise.

- The noise is produced whenever the refrigeration unit (motor) automatically switches on or off.

Decommissioning

- ▶ The sound is normal.

A hum. It is briefly a little louder when the refrigeration unit (the motor) switches on.

- The refrigeration increases automatically when the SuperFrost, function is activated, fresh food has just been placed in the appliance or the door has been left open for a while.
- ▶ The sound is normal.
- The ambient temperature is too high.
- ▶ Solution: (see 1.2)

Vibratory noise.

- The appliance is not fixed to the ground. The running of the cooling unit therefore makes objects and adjacent furniture vibrate.
- ▶ Adjust appliance via the height-adjustable feet.
- ▶ Move bottles and containers apart.

The temperature display indicates: F0 to F9

- There is a fault.
- ▶ Please contact the after-sales service (see Maintenance).

Power failure flashes in the temperature display . The highest temperature reached during power failure is indicated in the temperature display.

- The freezer temperature rose too high over the last hours or days due to a power failure or power interruption. When the power interruption is over, the appliance will continue to operate in the last temperature setting.
- ▶ To cancel the display of the warmest temperature: press alarm button *Fig. 3 (9)*.
- ▶ Check the quality of the food. Do not consume spoiled food. Do not re-freeze thawed food.

DEMO shines in the temperature display.

- The demo mode is activated.
- ▶ Please contact the after-sales service (see Maintenance).

The outer surfaces of the appliance are warm*.

- The heat of the refrigeration circuit is used to prevent condensate from forming.
- ▶ This is normal.

The temperature is not cold enough.

- The door of the appliance is not properly closed.
- ▶ Close the door of the appliance.
- Insufficient ventilation.
- ▶ Keep ventilation grille clear, and clean it.
- The ambient temperature is too high.
- ▶ Solution: (see 1.2) .
- The appliance was opened too frequently or for too long.
- ▶ Wait to see whether the appliance reaches the required temperature by itself. If not, please contact the after sales service (see Maintenance).
- Too much fresh food was placed inside without SuperFrost.
- ▶ Solution: (see 5.8)
- The temperature is incorrectly set.
- ▶ Set the temperature to a colder setting and check after 24 hours.
- The appliance is too close to a source of heat (stove, heater etc).
- ▶ Change the position of the appliance or the source of heat.

The internal light does not come on.

- The appliance is not switched on.
- ▶ Switch on the appliance.
- The door was open longer than 15 min.
- ▶ The interior light automatically switches off if the door has been open for about 15 min.
- The LED illumination is defective or the cover is damaged:



WARNING

Risk of injury due to electric shock!
Live parts are located under the cover.

- ▶ Have the LED interior light changed or repaired only by the customer service or by specialized personnel trained for the purpose.



WARNING

Danger of injury by LED lamp!
The light intensity of the LED illumination corresponds to laser class 1/1M.

If the cover is defective:

- ▶ Do not look into the illumination with optical lenses from the immediate proximity. This can cause injury to the eyes.

8 Decommissioning

8.1 Switching off the appliance

- ▶ Press On/Off button *Fig. 3 (7)* for approx. 2 seconds.
- ▷ The temperature display is dark.
- ▷ If the appliance cannot be switched off, the child lock function is active (see 5.2) .



8.2 Taking the appliance out of service

- ▶ Empty the appliance.
- ▶ Switch off the appliance (see Decommissioning).
- ▶ Remove mains connector.
- ▶ Clean the appliance (see 6.2) .



- ▶ Leave the door open to prevent odour.

9 Disposing of the appliance

The appliance contains some reusable materials and should be disposed of properly - not simply with unsorted household refuse. Appliances which are no longer needed must be disposed of in a professional and appropriate way, in accordance with the current local regulations and laws.



When disposing of the appliance, ensure that the refrigeration circuit is not damaged to prevent uncontrolled escape of the refrigerant it contains (data on type plate) and oil.

- ▶ Disable the appliance.
- ▶ Pull out the plug.
- ▶ Cut through the connecting cable.



Liebherr-Hausgeräte Ochsenhausen GmbH

Memminger Straße 77-79

88416 Ochsenhausen

Deutschland

home.liebherr.com