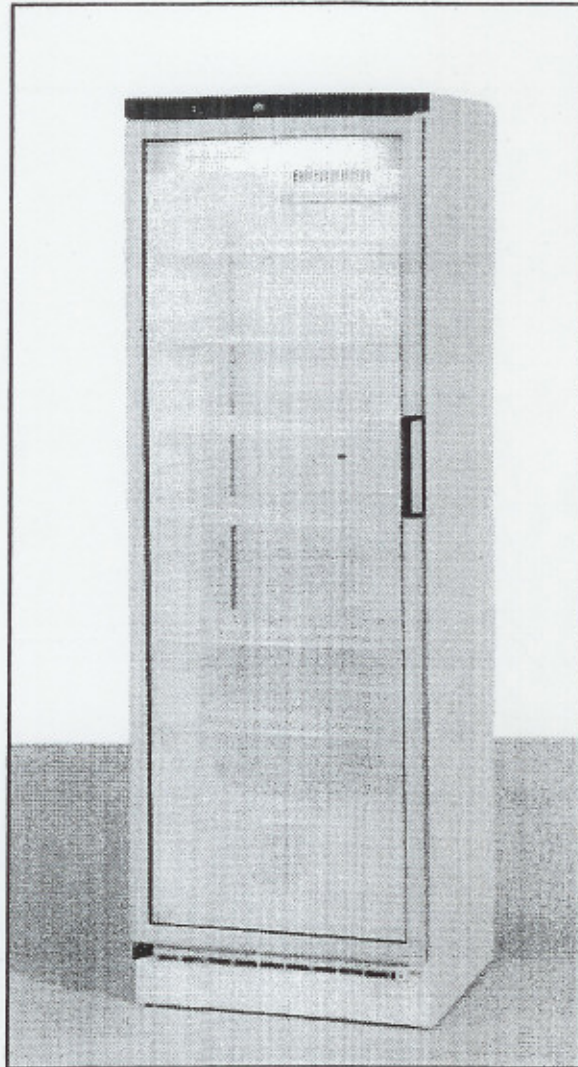


# BOTTLE COOLER / WINE COOLER

## INSTRUCTIONS FOR USE



**MODELS:**  
**SCR1150**  
**SCR1300**  
**SWC1775**

Please read these instructions carefully before putting the appliance into service. They are brief and contain only information which will help you to obtain the best performance from the appliance.

Take care of all accessories supplied with the appliance.

Bottle capacity is dependant on shelf configuration and bottle sizes.

## CONTENTS

1. Before starting the appliance.
2. How to use the appliance.
3. Maintenance.
4. Has the appliance stopped working?
5. Safety.
6. Technical data.
7. Installation.
8. Change of hinge side.
9. Lighting fixture.

### 1. BEFORE STARTING THE APPLIANCE

Check that the cabinet is undamaged. Please report any damage **immediately** to your dealer. Wash the cabinet and inner lining with a mild unscented detergent and wipe it dry. Do not use abrasive scouring powder, steel wool or similar. Connection to the electricity supply: See head 7 and 8.

### 2. HOW TO USE THE APPLIANCE

Operating panel (see fig. (5) page 4.

1. Thermostat knob.
2. Indicator for the connection to the electricity supply (green).
3. Switch for light.

The thermostat knob is adjustable from 0 (stop) to 7 (coldest). Find the position of the thermostat which gives you the desired temperature. Start at position 4.

### Defrosting

The evaporator is automatically defrosted. The defrost water is led to a tray on top of the compressor where it evaporates.

### 3. MAINTENANCE

Only use an unscented detergent when cleaning the cabinet inside.

You may remove the top panel and wash it when cleaning the cabinet inside.

Switch off the appliance and pull out the plug when cleaning the cabinet.

The skirting board can be removed to facilitate a vacuum-cleaning of the floor. See fig. (1) page 5.

To make the cooling system work at its optimum it is necessary from time to time to clean the wire condenser and the compressor at the back of the cabinet by means of a brush or a vacuum cleaner. Remember to clean the drain.

### IMPORTANT!!

In case of damage to the power cord it must be replaced by a power cord of corresponding type, available from the manufacturer or his service representative.

### 4. HAS THE APPLIANCE STOPPED WORKING?

Before calling a repairman, check that

- The plug is properly plugged into the wall socket.
- The fuse is intact.
- The power has not been cut off.
- All controls are correctly set.
- Switch off the cabinet for 15 minutes (for instance at the thermostat). Switch it on again and after 5 minutes check whether frost has formed on the evaporator.
- Do not open the cabinet when unnecessary.

### 5. SAFETY

**Do not** store explosive substances in the refrigerator section, such as gas, cigarette lighters, petrol, ether or similar. Scrapped cabinets may become dangerous to children at play. Therefore, remove the doors or place the scrapped cabinet in such a way that children cannot enter it.

Never store liquids with carbon dioxide in the freezing section.

### 6. TECHNICAL DATA

This appliance meets the provisions of the following directives: 89/336/EEC (electromagnetic compatibility), 73/23/EEC (electrical equipment designed for use within certain voltage limits) as amended.

The rating plate, which is placed inside the appliance (see fig. (6) page 4), provides various technical information as well as type and serial number.

## 7. INSTALLATION

See drawings - fig. 1 page (5) - fig. (1), (2) and (3) page 6.

Install the cabinet in a dry place and so that it is not exposed to direct sunlight or any other source of heat.

Place the cabinet in a level position. This is easily achieved by adjusting the adjustable feet at the front edge of the base. The cabinet may not rest against a wall on its hinged side. When placing the cabinet on a carpet or on a wooden floor you should adjust it once more after some time as the cabinet might settle in soft foundations.

If you want to build the appliance into a cupboard you must consider 3 factors:

1. There must be space above the appliance in order to make the cooling system work satisfactorily. - Fig. (1) page 6.
2. When the door is opened the appliance takes up more room in the width and therefore the door must either be placed outside the cupboard or there must be a space of at least 15 mm at the hinge side. - Fig. (2B) page 6.
3. The distance to the wall at the hinge side must be of a sufficient size. - Fig. (2B) page 6.

In addition, the bottle cooler may be built in or positioned alongside another unit - fig. (3) page 6.

If the wine cooler is to be placed next to another unit, a 25 mm gap must be left.

Any local installation rules for appliances of this kind must be observed.

During a storm the electricity supply might be cut off.

You should be aware of this when installing the appliance in weekend cottages or elsewhere where you would not immediately observe that the power has been cut off. Construction and details in the accessories are subject to alteration without previous notice.

## 8. CHANGE OF HINGE SIDE

Follow the instructions below if you wish to install the door hinges at the opposite side. See the drawings on page 7.

Dismantle the top panel cover - (1) and (2).

Dismantle the top hinge. To be used later as bottom hinge at the opposite side - (3).

Dismantle the door and its bushing.

Dismantle the bottom hinge - (6).

Place the tension disk and the counter nut for the hinge pivot on the new bottom hinge.

Mount the door anew.

Tighten the counter nut at the bottom.

Tighten up all nuts.

Mount anew top panel cover and skirting board cover.

## 9. LIGHTING FIXTURE

See the drawing on page 7.

1. Pull the screen to the left.

2. Pull down the right side of the screen and take it out.

- Remove the strip - possibly with text - by pulling it out of the tracks along the whole length of the profile.

- The fluorescent tube can be replaced.

The mounting is performed in reverse order.

The glow switch can be replaced without removing the screen.

## DISPOSAL OF THE APPLIANCE

The appliance contains recyclable materials. When disposing of the appliance, please contact the technical administration or other appropriate authority in your municipality. They can inform you of the collection and recycling measures used in the municipality.

Mounting of lock for one-door uprights.  
Optional extras.

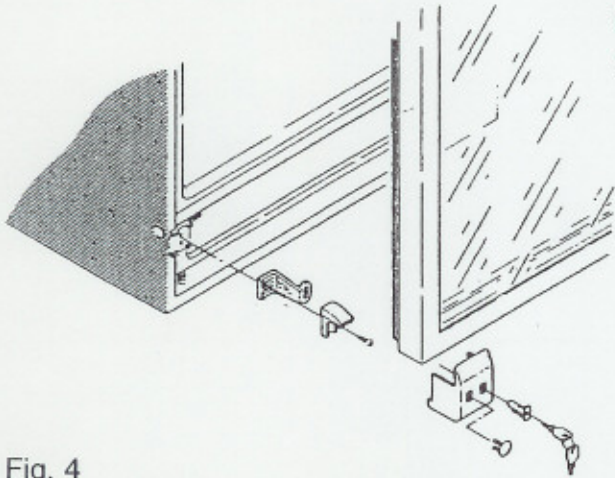


Fig. 4

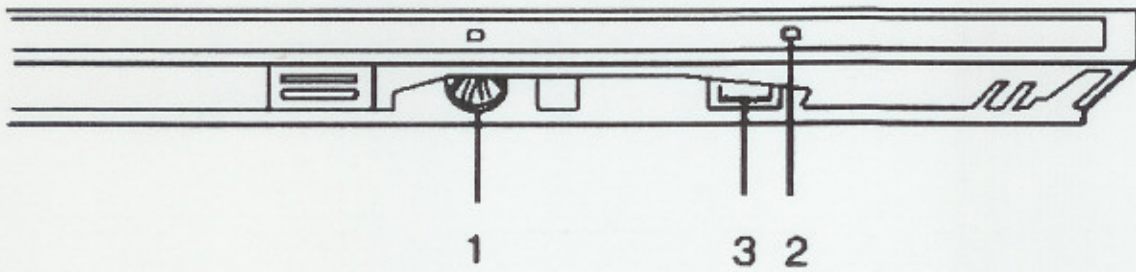


Fig. 5

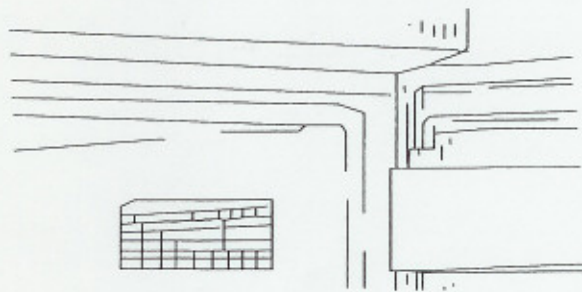


Fig. 6

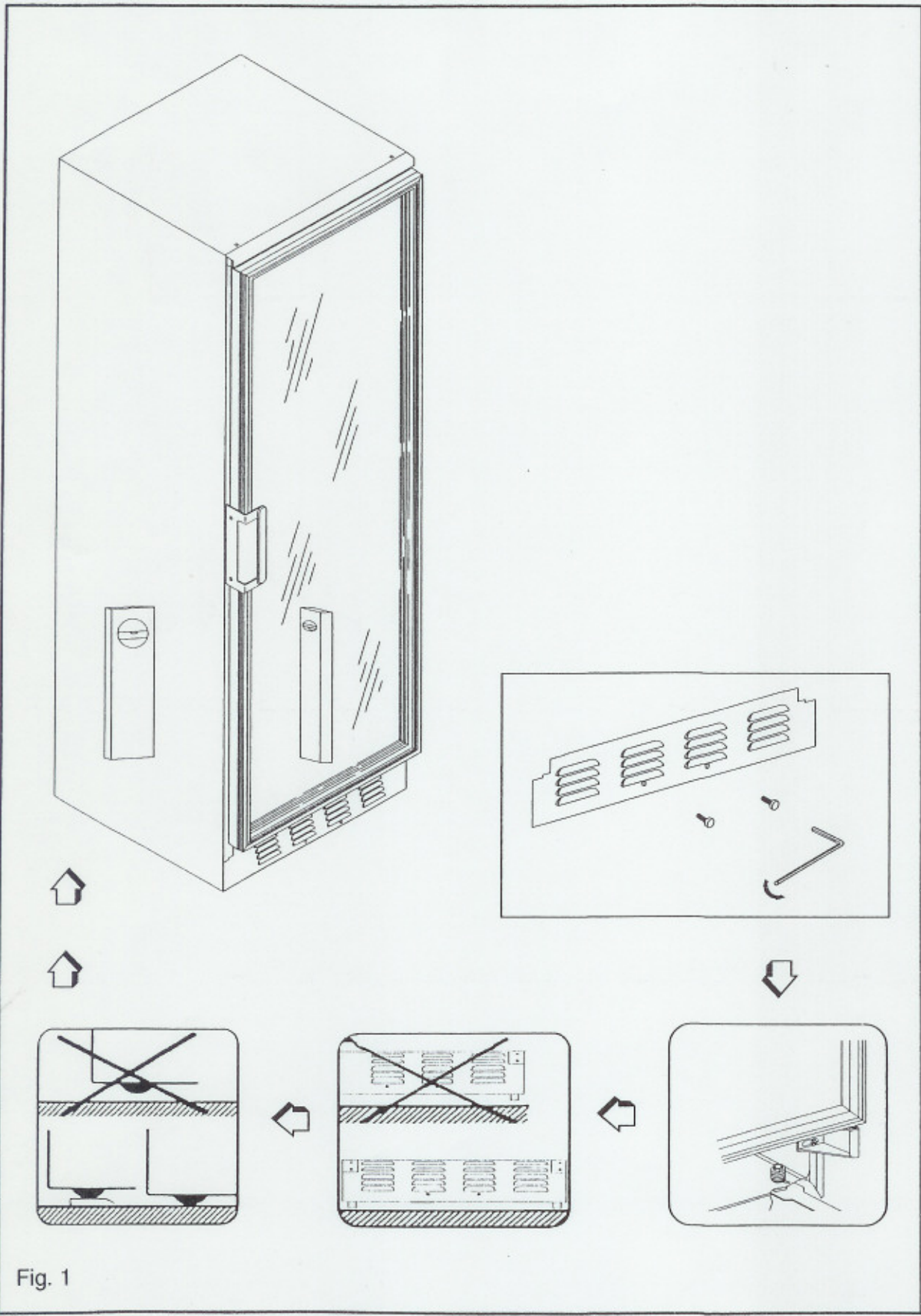


Fig. 1



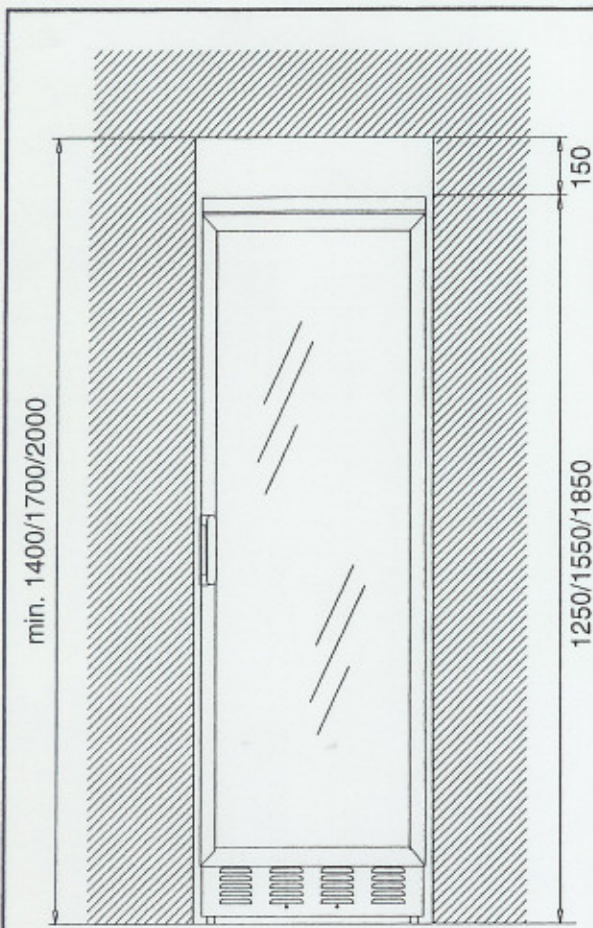


Fig. 2A

min. 25 mm

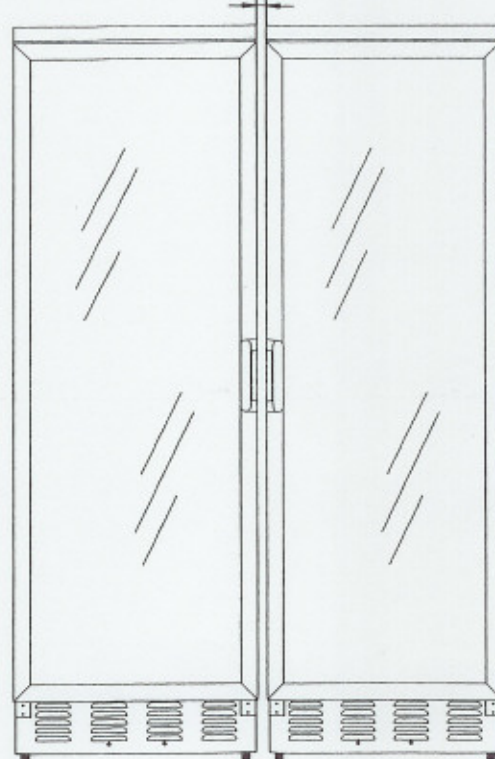


Fig. 3

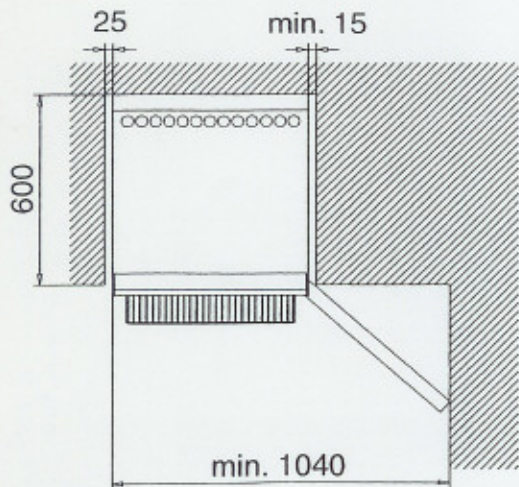
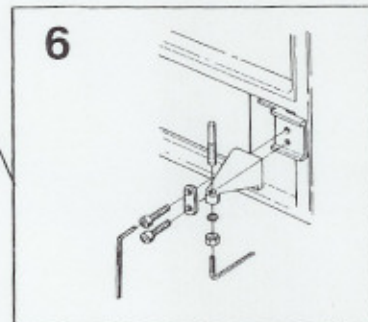
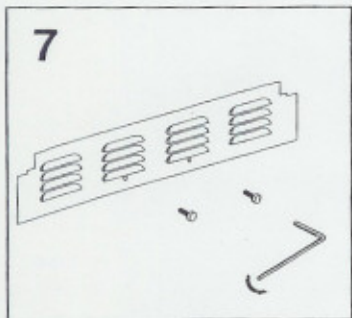
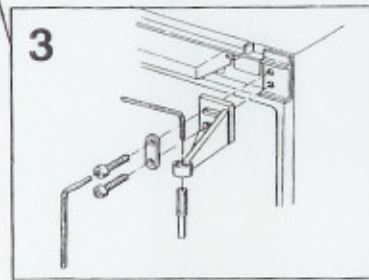
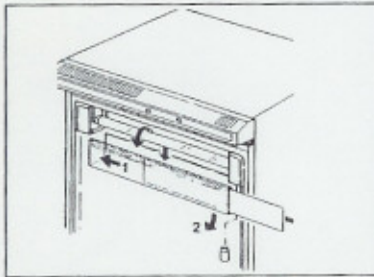
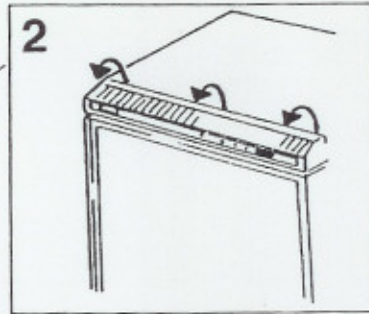
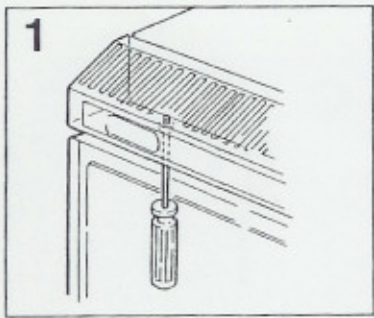


Fig. 2B

# CHANGE OF HINGE SIDE



## WARNING!

This appliance should only be built-in if the ambient temperature does not exceed 30° C.

At higher ambient temperatures the appliance can only be built-in if the following measures for building-in are observed:

Min. width 660 mm – min. depth 630 mm and a headroom of min. 50 mm above the upright. (cf. fig. 2).

Min. width for »Side-by Side« 1300 mm (cf. fig. 1).

To ensure the observance of the depth measure the two plast spacer blocks are mounted as shown on fig. 3.

In areas with ambient temperatures over 34° C for relative long periods it is necessary to mount a fan.

With the fan the appliance can function satisfactorily up to an ambient temperature of 40° C.

## IMPORTANT!

Cet appareil ne doit être encastré que si la température ambiante ne dépasse pas 30° C.

Par des températures ambiantes plus élevées l'appareil ne peut être encastré que si les mesures d'encastrement suivantes sont observées:

Largeur minimum 660 mm – profondeur minimum 630 mm ainsi qu'un dégagement minimum de 50 mm au-dessus de l'armoire. (voir fig. 2).

Mesure de largeur minimum pour »Côté-à Côté« 1300 mm (voir fig. 1).

Pour assurer l'observation de la mesure de profondeur les deux pièces intercalaires en plastique sont montées comme montré à la fig. 3.

Aux endroits où la température ambiante dépasse 34° C pendant des périodes assez longues il est nécessaire de monter un ventilateur.

Avec le ventilateur l'appareil peut fonctionner à satisfaction jusqu'à 40° C de température ambiante.

## ADVIÉRTASE!

Este aparato sólo deberá encajarse, si la temperatura ambiente no supera 30° C. Tratándose de temperaturas ambiente más altas, el aparato sólo deberá encajarse, si observan las medidas siguientes:

Anchura mínima de 660 mm – profundidad mínima de 630 mm y, como mínimo, una altura libre de 50 mm sobre el aparato. (véase la fig. 2).

Anchura mínima para montaje »lado a lado« 1300 mm. (véase la fig. 1).

Para asegurar la profundidad correcta se montan dos espaciadores como queda mostrado en la fig. 3.

En regiones donde las temperaturas suben más allá de 34° C durante períodos de tiempo bastante largos, hay que montar un ventilador.

## ATENÇÃO!

Este aparelho só pode ser embutido, se a temperatura do ambiente nao ultrapassar 30° C. Se a temperatura do ambiente estiver mais elevada, apenas se pode embutir o aparelho atendendo as seguintes medidas mínimas de embutimento:

Largura 660 mm, profundidade 630 mm e uma altura livre de 50 mm acima do aparelho. (ver fig. 2).

A medida mínima da largura, para montagem »lado a lado«, é de 1300 mm. (ver fig. 1).

Para assegurar a medida de profundidade, montam-se as duas peças espacejadoras, conforme indicado na fig. 3.

Em áreas, onde a temperatura ultrapassa 34° C durante períodos prolongados, montar-se-á um ventilador.

## AVVERTENZA!

Questo apparecchio può essere incassato solo se la temperatura ambiente non supera i 30 gradi C. A temperature ambiente superiori l'apparecchio può essere incassato solo se vengono osservate le seguenti distanze:

Larghezza minima di 660 mm – profondità minima di 630 mm e un'altezza libera minima sopra l'apparecchio di 50 mm. (vedere fig. 2).

Larghezza minima per montaggio »lato a lato« 1300 mm. (vedere fig. 1).

Per assicurare la corretta profondità montare i due spessori come illustrato nella fig. 3.

In zone dove la temperatura, per periodo di tempo relativamente lunghi, supera i 34 gradi C., bisogna montare un ventilatore.

fig. 1

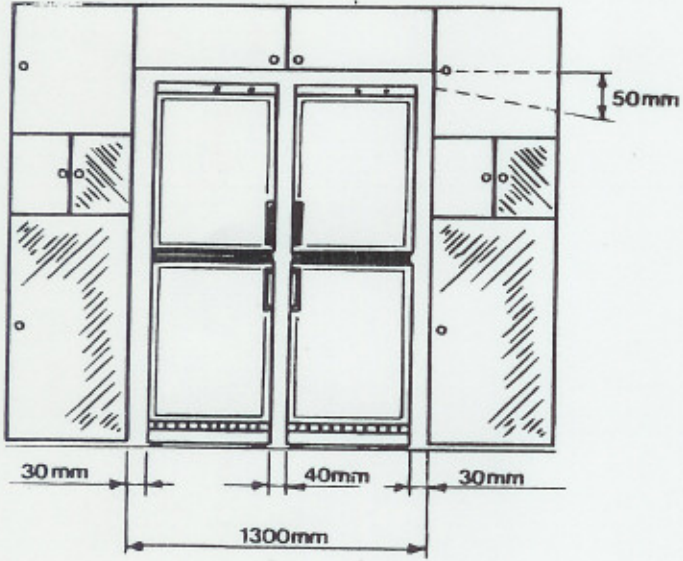


fig. 2

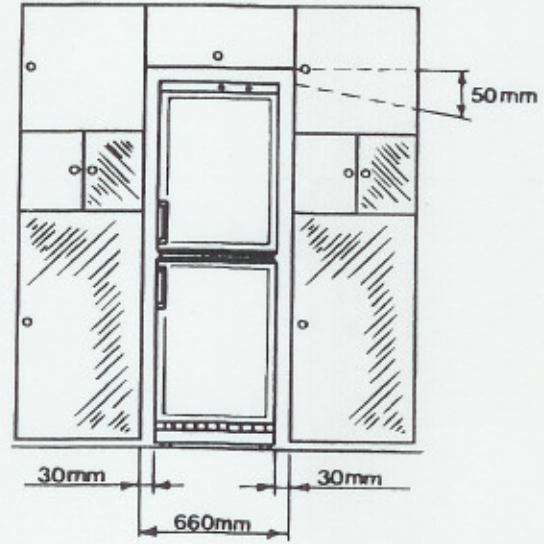
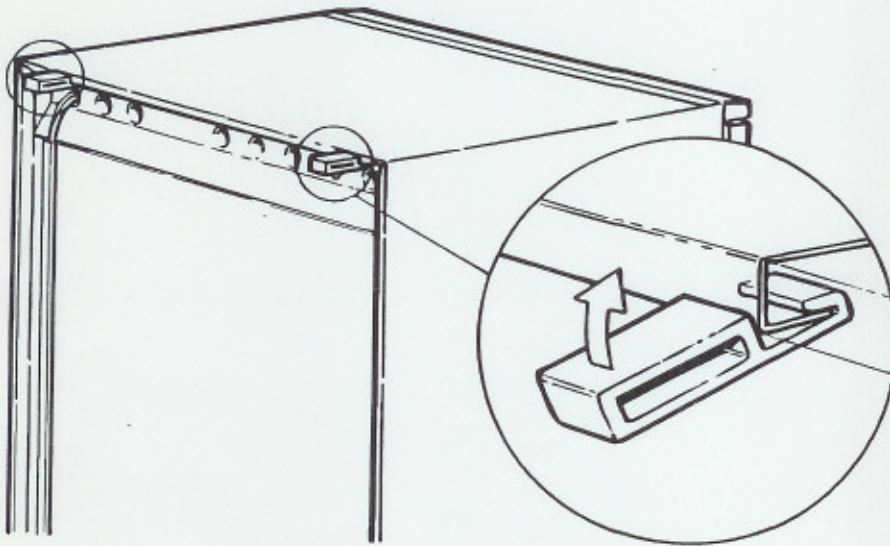


fig. 3



## BEMÆRK!

Dette apparat har „elektronisk start“, hvilket betyder, at kompressoren efter kortvarige strømafbrydelser, f.eks. ved stikkontakten, muligvis ikke straks går i gang.

Afvent roligt apparatets automatiske genstart.

## ATTENTION!

This appliance has „electronic start“, which means that after short-lived current cutoff, such as unplugging, it will not necessarily restart immediately.

Therefore wait for the appliance to automatically restart.

## ACHTUNG!

Dieses Gerät ist mit „elektronischem Start“ ausgerüstet. Das bedeutet, dass der Kompressor nach kurzzeitigen Stromunterbrechungen - beispielsweise am Stecker - möglicherweise nicht sofort anläuft.

Warten Sie die automatische Wiedereinschaltung ab.

## AVIS IMPORTANT!

Cet appareil est doté du „démarrage électronique“. De ce fait, il se peut que le compresseur ne se mette pas en marche immédiatement après de courtes interruptions de courant, p.ex., occasionnées à la prise.

Attendez seulement le redémarrage automatique de l'appareil.

## OBS!

Denna apparat har „elektronisk start“. Det betyder att kompressorn efter ett kortvarigt strömbrott, t ex vid stickproppen, möjligen inte startar omedelbart.

Invänta därför att den automatiska starten träder i funktion.

## HUOM!

Tässä laitteessa on „elektroninen käynnistys“, minkä vuoksi on mahdollista, että kompressor ei käynnisty välittömästi lyhytaikaisen, esim. pistotulpan irrottamisen vuoksi tapahtuneen virran katkaisemisen jälkeen. Odottakaa sen vuoksi, kunnes laite käynnistyy uudelleen automaattisesti.

## NOTA!

Este aparato esta dotada de arranque electrónico. En consecuencia puede ocurrir que el compresor no se ponga en marcha inmediatamente, cuando se produce un corte de corriente durante un pequeño espacio de tiempo o bien al desenchufar y volver a conectar.

Simplemente espere a que el aparato se ponga en marcha automáticamente.