


## Contents

	EN	ES	CS
Warning	3	63	127
<b>1 Product Profile</b>	<b>5</b>	<b>65</b>	<b>129</b>
1.1 About ADAS	5	65	129
1.2 About PHOENIX ADAS MOBILE	5	65	129
1.3 Components & Controls	13	73	137
<b>2 Initial Use</b>	<b>24</b>	<b>83</b>	<b>147</b>
2.1 Place the calibration frame	24	83	147
2.2 Activate ADAS function	26	85	149
2.3 General Calibration Operations for LDW System	27	87	151
<b>3 Start Calibration</b>	<b>38</b>	<b>99</b>	<b>163</b>
3.1 Calibrating the front camera	38	99	163
3.2 Calibrating the rear camera	49	112	176
<b>4 Target Pattern Kit (Optional)</b>	<b>58</b>	<b>121</b>	<b>185</b>
<b>5 Care &amp; Maintenance</b>	<b>60</b>	<b>123</b>	<b>187</b>



# English



 WARNING 

Study, understand and follow all instructions provided with this product. Read these instructions carefully before installing, operating, servicing or repairing this tool. Keep these instructions in a safe, accessible place.

**Caution: To help prevent personal injury,**

- To operate the PHOENIX ADAS MOBILE calibration tool properly, user must have knowledge of automotive technology and is therefore aware of the sources of danger and risks in the repair shop and on vehicles.
- Never use this tool for any application other than for which it was designed.
- Never alter or modify this tool in any way. Improper operation and/or maintenance of the tool, or modification of the tool could result in serious injury or death.
- Keep a fire extinguisher suitable for gasoline/chemical/ electrical fires nearby.
- Do not use a damaged battery charger. The built-in Lithium battery is factory replaceable only. Incorrect replacement or tampering with the battery pack may cause an explosion.

### On Using PHOENIX ADAS MOBILE Calibration Tool

In order to avoid incorrect handling and injury to the user or destruction of the PHOENIX ADAS MOBILE calibration tool arising from this, pay attention to the following:

- Only assemble the PHOENIX ADAS MOBILE calibration tool according to the operating instructions.
- Protect the PHOENIX ADAS MOBILE calibration tool from water and strong impacts.
- Protect the PHOENIX ADAS MOBILE calibration tool from long periods of exposure to solar radiation.
- The light source should ensure that there is no reflected spot on the calibration panel.
- In the field of view of the camera, there should be no direct light source into the camera, otherwise the camera will reduce the exposure so that the captured calibration pattern becomes darker, adversely affecting the calibration.
- The light source should ensure uniform illumination distribution in the calibration workstation.
- Do a regular check and service for the PHOENIX ADAS MOBILE calibration tool.
- Keep this tool dry, clean, free from oil/water or grease. Use a mild detergent on a clean cloth to clean the outside of the tool, when necessary.

### On Using Vehicle

When working on the vehicle, please carefully read the following information:

- Always perform automotive testing in a safe environment.
- Wear safety eye protection that meets ANSI standards.
- Operate the vehicle in a well-ventilated work area: Exhaust gases are poisonous.
- Put the transmission in P (for A/T) or N (for M/T) and make sure the parking brake is engaged.
- Put blocks in front of the drive wheels and never leave the vehicle unattended while running tests.
- Don't connect or disconnect any test equipment while the ignition is on or the engine is running.
- Make sure the vehicle is parked with all wheels on an even floor surface.
- Keep clothing, hair, hands, tools, test equipment, etc. away from all moving or hot engine parts.
- Do not attempt to operate or observe the tool while driving a vehicle. Operating or observing the tool will cause driver distraction and could cause a fatal accident.
- Before calibrating, make sure the vehicle system is working properly and no trouble codes are stored in ECU memories.
- After a calibration is completely performed, remember to unplug the VCI device from the vehicle's diagnostic socket.

### On Using Laser Devices

- The laser radiation can cause serious eye injury.
- Do not stare into the laser beam.
- Never look directly into the laser beam because it may cause damage to / destruction of the retina.
- Do not position the laser beam to avoid it unintentionally blinding you or others.
- Do not operate the laser level near children or let children operate the laser level.
- Do not look into a laser beam using magnifying optical devices such as binoculars or a telescope, as this will increase the level of eye injury.
- Do not remove or deface warning labels on the laser device.
- Do not disassemble the laser level, laser radiation can cause serious eye injury.
- Do not operate the laser in explosive atmospheres such as flammable liquids, gases or dust. Sparks from the tool can cause ignition.
- Do not use solvents to clean the laser unit.
- Do not drop the unit.
- Remove the batteries if the laser / laser range finder will not be in use for a long period.
- Do not allow children to use the laser device as a toy.
- While installing a laser module, please make sure it is firmly and securely attached.
- The included goggles are intended to enhance the visibility of the Laser beam. They will not protect your eyes against laser radiation.

### INTENDED USE OF THE TOOL

The PHOENIX ADAS MOBILE calibration tool is exclusively intended for use on a vehicle.

Do not use this tool outside of the designed intent. Never modify the tool for any other purpose or use.

### PRODUCT INFORMATION

- As a flexible and portable ADAS calibration tool, it enables you to effectively and accurately calibrate a wide range of camera-based driving assistance systems.
- Simple to fold/unfold and easy to operate.



Made in China  
to TOPDON specifications

# 1 Product Profile

## 1.1 About ADAS

Advanced Driver Assistance Systems (ADAS) are electronic components in vehicles, which include a wide range of safety features for vehicles such as autonomous emergency braking (AEB), lane departure warning (LDW), lane keep assist, blind spot elimination, night vision cameras and adaptive lighting.

Most road accidents occur due to the human error. Advanced Driver Assist Systems are developed to automate, adapt and enhance vehicle systems for safety and better driving. The automated system provided by ADAS to the vehicle is proven to reduce road fatalities, by offering technologies that alert the driver to potential problems or by implementing safeguards and taking over control of the vehicle.

Initially only found on premium vehicles, the number of modern mid-class and compact vehicles equipped with Advanced Driver Assist Systems is growing at a rapid rate.

The cameras and sensors used by these systems have to be precisely calibrated and adjusted. Incorrect calibration resulting from windscreen replacement or wheel alignment can cause the system to deliver incorrect results or even fail completely, resulting in a serious accident or even a fatality.

## 1.2 About PHOENIX ADAS MOBILE

### 1.2.1 Product Introduction

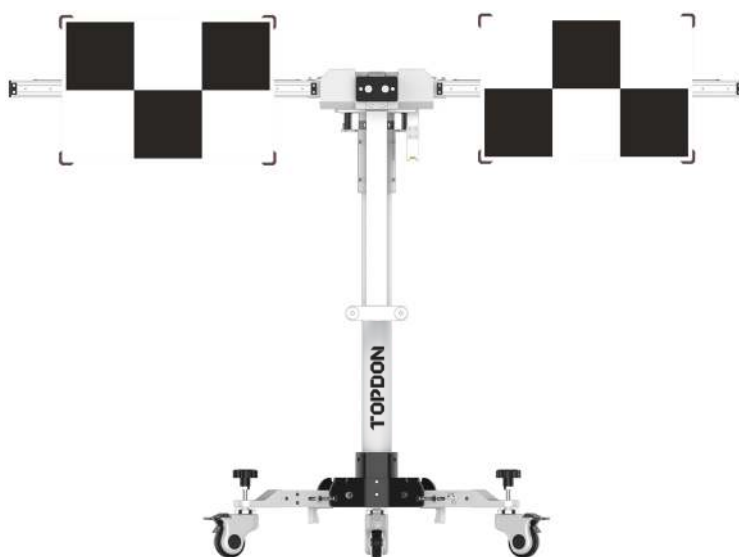
As a flexible and portable ADAS calibration tool, the PHOENIX ADAS MOBILE enables you to effectively and accurately calibrate a wide range of camera-based driving assistance systems, e.g. the front camera for the lane departure warning system. Repair and service shops do not require a fully equipped wheel alignment station or a leveled workshop ground or platform lift in order to work with PHOENIX ADAS MOBILE calibration tool.

It features the following key functions and advantages:

- Convenient to carry designed with the foldable base and crossbars, supporting outdoor calibration.
- Five-line & cross laser instrument available for precise centering positioning.
- Simple to fold/unfold and easy to operate.
- Manual rocker for adjusting the height freely.
- Dedicated storage bracket for storing small target boards and big pattern boards.
- Covering a wide range of car makes.
- Excellent user experience for providing vehicle-specific, step-by-step instructions and detailed illustrations.

To perform the ADAS calibration, the following two components are required:

- PHOENIX ADAS MOBILE Calibration Tool – It is designed to calibrate the position of the vehicle sensor and target. It consists of a calibration frame (with cross member), five-line laser device, cross laser module, laser reflector, auxiliary mirror, L-shaped positioning bracket, leader hammer and calibration panel (available in packages or individual) etc.



- Diagnostic Tool (sold separately) – The calibration tool is exclusively operated in conjunction with a specific diagnostic tool. Diagnostic tools from other manufacturers will not be supported.









**1.2.2 Packing List**

Please check the packing list upon receiving your tool so that potential complaints can be issued immediately regarding potential damage or missing parts. For different destinations, the accessories may vary. For details, please consult from the local dealers or check the included packing list.


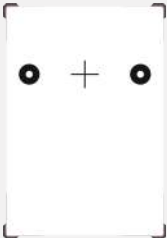
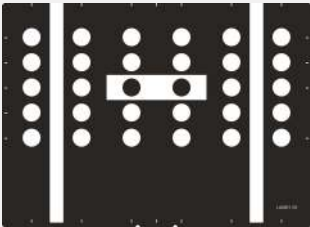









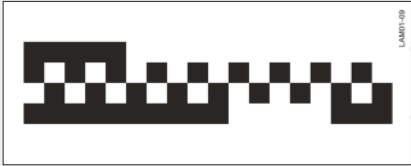



While unloading, please note: The heavy tool may drop down and cause injuries, remember to always unload the tool with the aid of a second person or use suitable aid as necessary.

Items	Picture	Quantity
Calibration frame		1
Five-line laser device (LAM09-01)		1
Cross laser module (LAM09-02)		1
Laser reflector (LAM09-03)		1
Auxiliary mirror (LAM09-04)		1
L-shaped positioning bracket (LAM09-05)		1


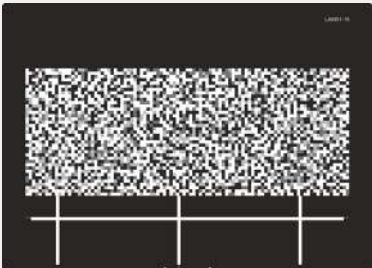





<p>Plumb line (LAM09-06)</p>		<p>1</p>
<p>Target storage bracket (LAM09-07)</p>		<p>1</p>
<p>Target extension rod for Toyota (LAM09-08)</p>		<p>1</p>
<p>Target extension rod for Honda (LAM09-09)</p>		<p>1</p>
<p>Laser range finder</p>		<p>1</p>
<p>Cross sticker</p>		<p>1</p>




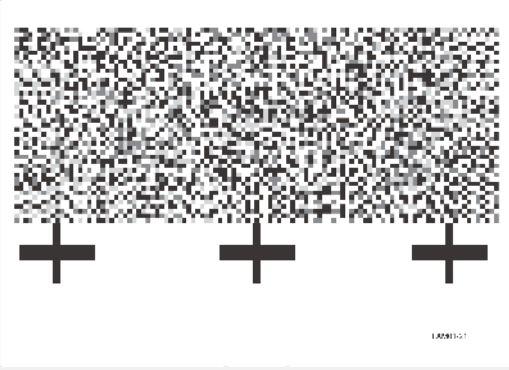


<p>ADAS Activation Card</p>	 <p>ADAS Activation Card</p>	<p>1</p>
<p>User Manual</p>		<p>1</p>
<p>Calibration target / pattern boards</p>	<p>(Available in different product configuration packages. Target boards and patterns for Lane Departure Warning System are included with this tool. Other boards and patterns for other ADAS systems need to be purchased separately. For detailed packages, refer to Chapter Target Pattern Kit.)</p>	
<p>LAM01-01 Benz-LDW</p>		<p>1</p>
<p>LAM01-02 VW-LDW</p>		<p>1</p>
<p>LAM01-04-L Honda-LDW</p>		<p>1</p>
<p>LAM01-04-R Honda-LDW</p>		<p>1</p>
<p>LAM01-06-1 Toyota-LDW</p>		<p>1</p>

<p>LAM01-06-2 Toyota-LDW</p>		<p>1</p>
<p>LAM01-06-3 Toyota-LDW</p>		<p>1</p>
<p>LAM01-07-L Nissan-LDW</p>		<p>1</p>
<p>LAM01-07-R Nissan-LDW</p>		<p>1</p>
<p>LAM01-09 Hyundai/Kia-LDW</p>		<p>1</p>
<p>LAM01-10 Mazda-LDW</p>		<p>1</p>
<p>LAM01-12-L Nissan/Renault-LDW</p>		<p>1</p>
<p>LAM01-12-R Nissan/Renault-LDW</p>		<p>1</p>



<p>LAC01-13 Hyundai-LDW</p>		<p>1</p>
<p>LAM01-15 Subaru-LDW</p>		<p>1</p>
<p>LAM01-16-L Mazda-LDW</p>		<p>1</p>
<p>LAM01-16-R Mazda-LDW</p>		<p>1</p>
<p>LAM01-17 Honda-LDW</p>		<p>1</p>
<p>LAM01-18-L Suzuki-LDW</p>		<p>1</p>
<p>LAM01-18-R Suzuki-LDW</p>		<p>1</p>

<p>LAM01-19-L Mitsubishi-LDW</p>		<p>1</p>
<p>LAM01-19-R Mitsubishi-LDW</p>		<p>1</p>
<p>LAM01-20 Honda-LDW</p>		<p>1</p>
<p>LAM01-21 Subaru-LDW</p>		<p>1</p>



## 1.3 Components & Controls

The PHOENIX ADAS MOBILE calibration tool mainly includes the following items and components:

### 1.3.1 Calibration frame

The calibration frame consists of the following components:

**A - Right crossbar**

Loaded with a scale ruler, a positioning plate for securing the target boards.

**B - Positioning bracket for pattern boards**

Loaded with a level gauge, two safety snap hooks for locking the crossbars and a fix-holder for cross laser module.

**C - Lifter**

**D - Gear box and hand crank**

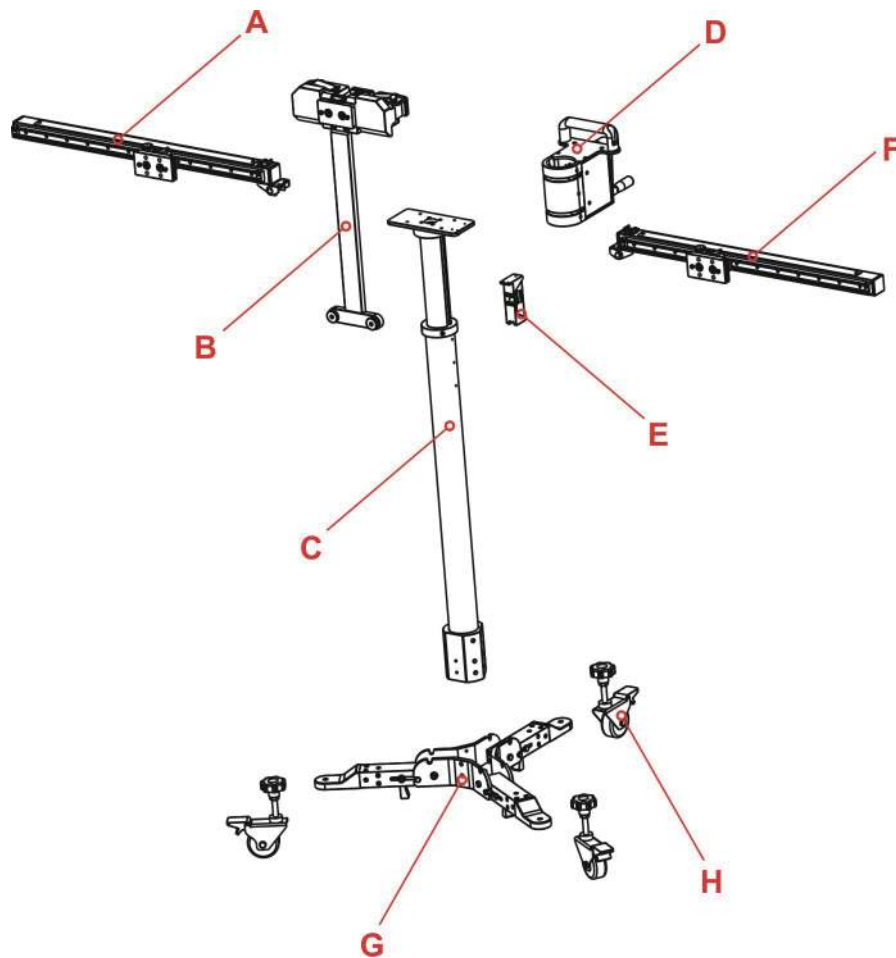
For adjusting the height of the lifter.

**E - Laser range finder**

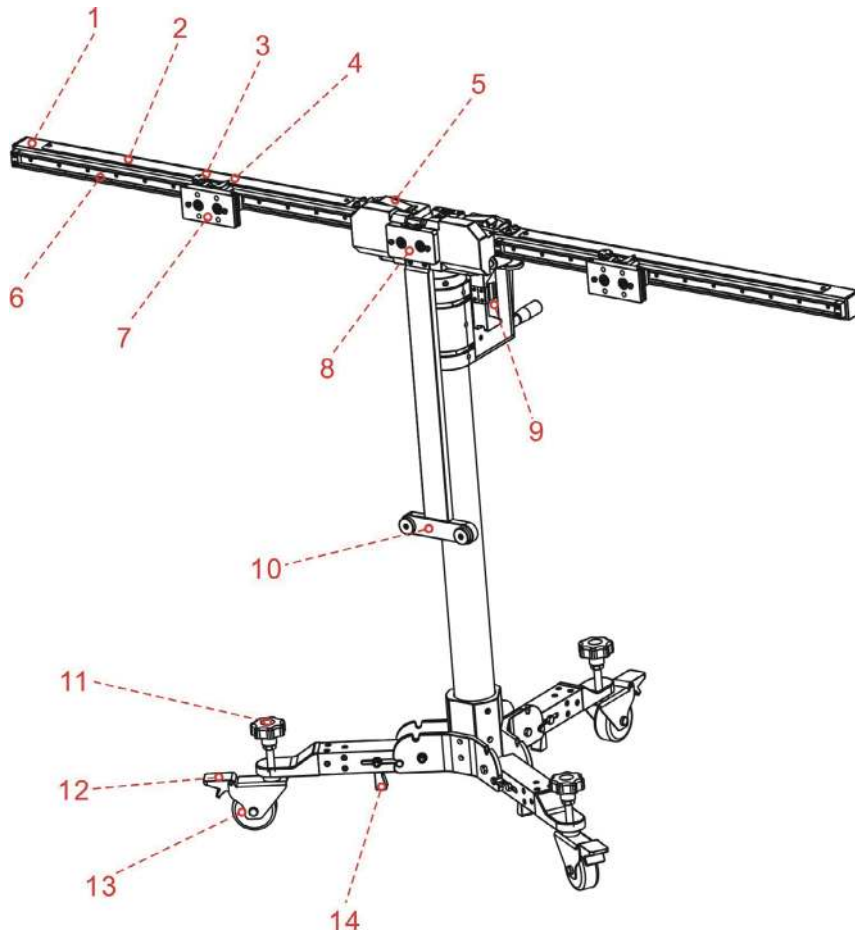
**F - Left crossbar (same as Right crossbar)**

**G - Base holder**

**H - Universal rolling casters**



### Front View



1. Right crossbar
2. Scale ruler\*
3. Set screw\*

For securing the positioning plate.

When released, the positioning plate (7) can be moved along the sliding rail freely.



When unfolding the right / left crossbar, please tighten the set screw to prevent the positioning plate (7) from sliding, as this could result in injury.

4. Scale indicator\*
5. Safety snap lock\*

Locks / unlocks the crossbar. When unlocked, the crossbar can be folded for easy-to-carry.

6. Sliding rail for positioning plate\*
7. Positioning plate\*

For securing the target boards / target board extension rod.

There are two BIG holes and two SMALL holes available on the positioning plate. Before shipment, each BIG hole is pre-installed with one magnet for attaching the metal plate on the target board and each SMALL hole is preset with one hanging nail for securing the target board or the target board extension rod. When installing the target board or extension rod, align the mounting holes with the two small holes and attach it onto the hanging nails.

8. Positioning plate / Magnetic laser fix-plate

For securing the pattern boards / attaching the cross laser module. When installing the big pattern board,

it should be lifted up to ensure a proper installation of the pattern board.

**9. Laser range finder**

For measuring the height of the center of the pattern board from the ground.



A right tolerance is adjusted for the calibration height of every vehicle on the diagnostic tool. Keep the value displayed on the screen same as the value displayed on the diagnostic tool when performing calibration.

**10. Pattern board holder**

Supports the bottom of the pattern board.

**11. Adjustment screw**

Rotate it until the bubbles of the level gauge (16) on calibration frame are centered.

**12. Parking safety mechanism**

Step it down to lock the rolling caster (13) to prevent it from moving.

**13. Universal rolling caster**

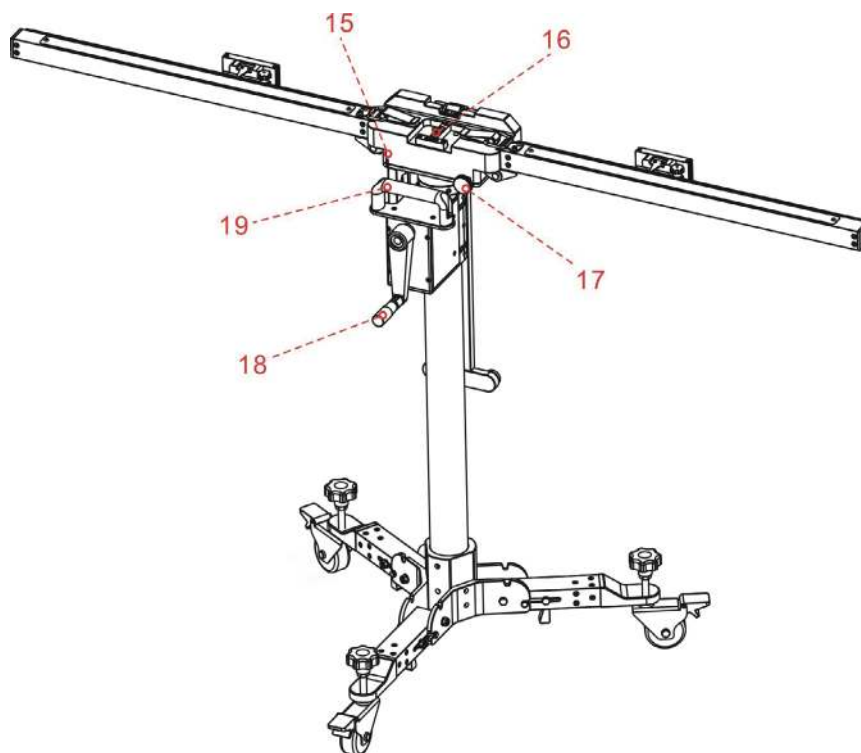
**14. Push-pull lever**

Controls the folding/unfolding of the base holder.



All items marked with \* are same as those on the left crossbar.

**Rear View**



**15. Marked red lines**

The upper line should be aligned with the lower line when the calibration frame is completely unfolded. If these lines are not aligned, rotate the fine-tuning bolt (17) to adjust it.

**16. Level gauge**

For checking if the calibration frame is standing on an even surface.

**17. Fine-tuning bolt**

Rotate the bolt to turn the crossbar axially.



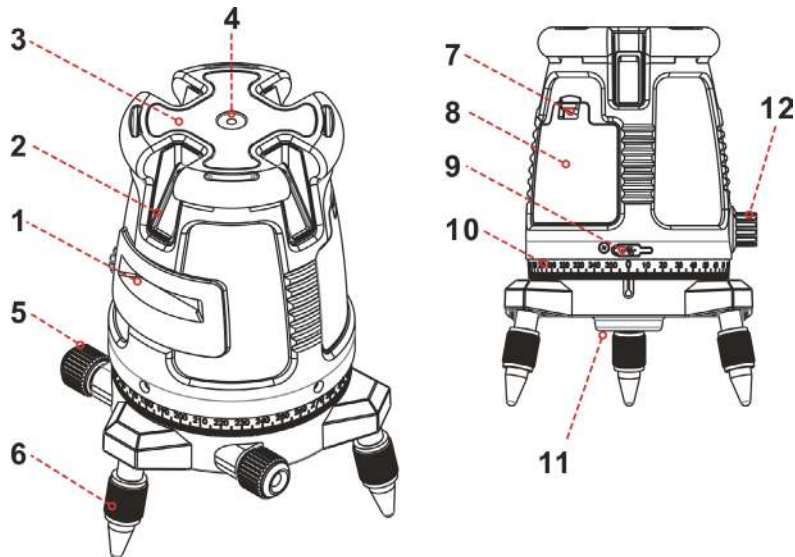
### 18. Hand crank

For adjusting the height of the lifter.

### 19. Handle

### 1.3.2 Five-line laser device (LAM09-01)

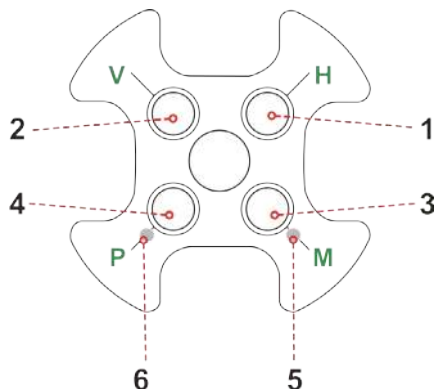
The five-line laser device is used for aiming laser beams in five directions to position the calibration frame and vehicle.



- 1. Horizontal laser output window
- 2. Vertical laser output window
- 3. Keypad\*
- 4. Surface level
- 5. Fine adjustment knob
- 6. Adjustable support legs

- 7. Battery cover
- 8. Battery compartment
- 9. Charging port
- 10. Graduated scale
- 11. 5/8" Tripod threaded adaptor
- 12. Pendulum safety lock

\*Keypad

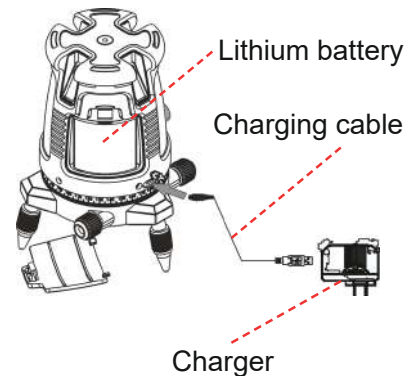


- 1. Horizontal line button
- 2. Vertical lines button
- 3. Manual mode button
- 4. Pulse mode button
- 5. Manual mode red LED indicator
- 6. Pulse mode green LED indicator

This tool can be operated either by designated lithium-ion battery pack, or 4 AA alkaline batteries.

**Installation of the lithium-ion battery pack**

1. Press down the latch of the cover and pull the battery cover.
2. Insert the lithium-ion battery pack with the contact terminal towards the 2 small pins in the battery compartment.
3. Reclose the battery cover.
4. Use a standard 5 V ± 5% charger (1A-2A), with micro USB connector to charge the Li-Polymer battery pack.
5. The rechargeable battery pack can be charged outside or inside the laser battery compartment.
6. Charge the battery pack at least 2 hours before using the laser tool for the first time.

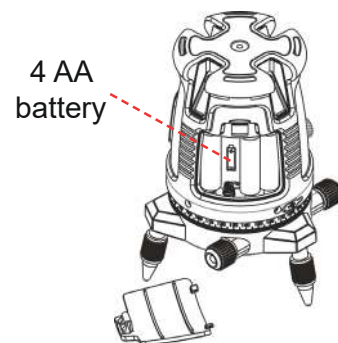


**Warning:**

- Do not use a damaged battery charger.
- The built-in Lithium battery is factory replaceable only. Incorrect replacement or tampering with the battery pack may cause an explosion.

**Installation of the 4 AA Batteries**

1. Press down the latch of the cover and pull the battery cover.
2. Insert 4 new AA batteries of the same brand, according to the polarity diagram indicated on the inside of the battery compartment.
3. Reclose the battery cover.





**Warning:**

Batteries can deteriorate, leak or explode, and can cause injury or fire.

1. Do not shorten the battery terminals.
2. Do not charge Alkaline batteries.
3. Do not mix old and new batteries.
4. Do not dispose of batteries into household waste.
5. Do not dispose batteries in fire.
6. Defective or dead batteries must be disposed according to local regulations.
7. Keep the batteries out of reach from children.



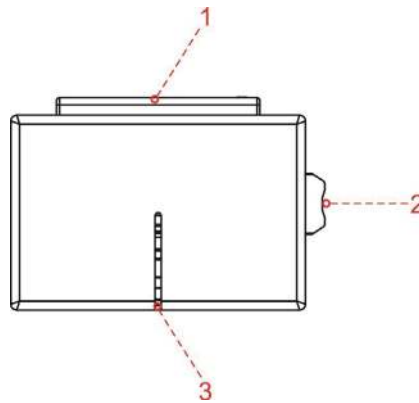
If the laser level will not be used for a long period, remove the batteries from the battery compartment. This will prevent batteries from leaking and corrosion damage.

Technical parameters:

Laser beams output pattern	<ul style="list-style-type: none"> <li>• Horizontal and forward vertical cross beams</li> <li>• Horizontal, forward and backward vertical beams</li> <li>• Horizontal and 4 orthogonal vertical beams Plumb down dot appears while vertical beam is ON</li> <li>• Horizontal beam</li> </ul>
Laser range	<ul style="list-style-type: none"> <li>• Indoor - 30m (100ft)</li> <li>• Outdoor with detector 60m (200ft)</li> </ul>
Accuracy Accuracy (plumb Dot)	<p>±0.2mm/m (±0.0002in/in) ±1mm/1.2m</p>
Fan angle	120°±5°
Self-leveling Range	±2.5°
Laser line width	2 mm±0.5mm/5m (0.10" ±0.02" at 20' )
Wavelength	520 ±10nm - Laser Class II
Power supply	Li-Polymer battery pack or 4 AA Alkaline batteries (not included)
Battery life	2.5 hours continuous operation with Li-Polymer 5 hours with 4AA Alkaline batteries
Operating temp.	-10° C ~ +45° C (14°F ~ +113°F)
Storage temp.	-20° C ~ +60° C ( -4°F ~ +140°F)
Water & dust proof	IP54
Dimensions	ø150mmx195mm (ø 6" x8")
Weight without batteries	1250gr ±10gr (2.75lbs± 0.35±oz )

### 1.3.3 Cross laser module (LAM09-02)

While adjusting the calibration frame in parallel with the vehicle, the laser module can be used. Generally it should be attracted onto the magnetic laser fix-plate (8) of the calibration frame.



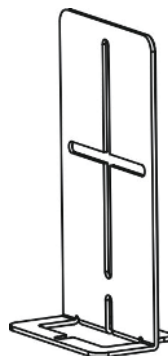
1. Battery cover
2. Switch
3. Laser gap

Installation of the 2 AAA Batteries

1. Open battery cover.
2. Insert 2 new AAA batteries of the same brand, according to the polarity diagram indicated on the inside of the battery compartment.
3. Reclose the battery cover.

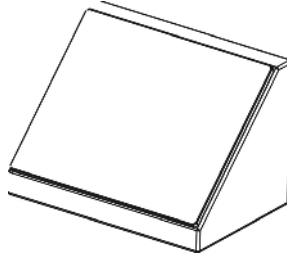
### 1.3.4 Laser reflector (LAM09-03)

The laser reflector is used to position the center line by confirming front and rear center points of the vehicle are on the same line.



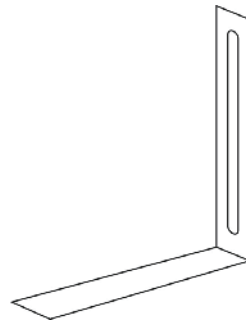
### 1.3.5 Auxiliary laser mirror (LAM09-04)

The auxiliary laser mirror is used to position the center line by ensuring the front and rear center points of the vehicle are on the same line.



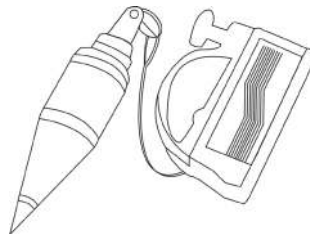
### 1.3.6 L-shaped positioning bracket (LAM09-05)

The L-shaped positioning bracket aids in locating the center of the front wheels to correctly position the calibration frame.



### 1.3.7 Plumb line (LAM09-06)

The plumb line is used to position the front and rear center points of the vehicle which helps to correctly position the five-line laser device and the laser reflector.



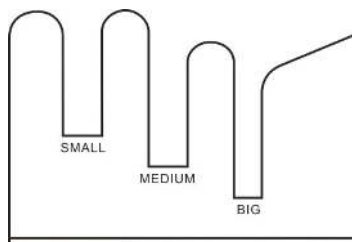
### 1.3.8 Target board storage bracket (LAM09-07)

The storage bracket is designed to store small target boards and larger pattern boards while not in use.



It is composed of two storage brackets and two connecting bearings. Before using it, please make sure to fasten the connecting bearings between the storage baskets.

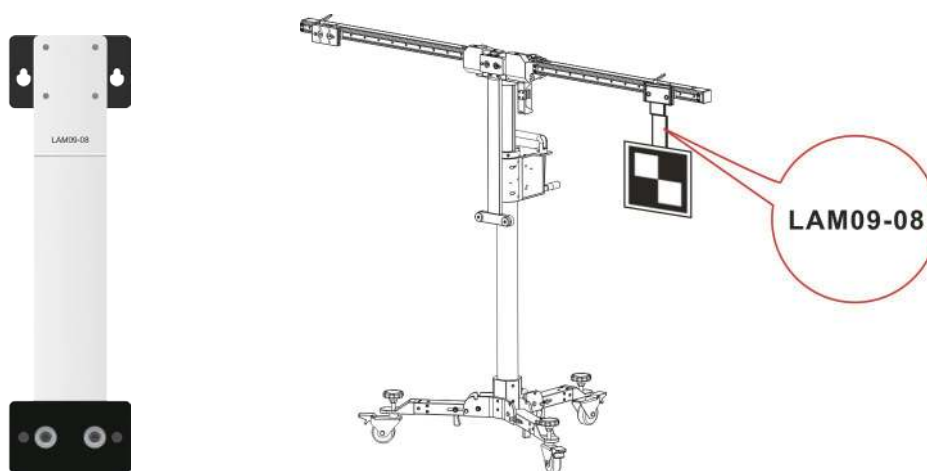
To make the most of the storage bracket, it is suggested to place the frequently used target board in right position according to the indication as marked on the side of the bracket. Other target boards that are not frequently used can be stored into the aluminum tool box.



### 1.3.9 Target extension rod for Toyota (LAM09-08)

Generally the height of the calibration frame is specially designed to meet the calibration requirement of most vehicles, but for some vehicles with lower calibration height, the target extension rod is required.

The target extension rod is used for LDW system calibration on some Toyota vehicles. It needs to be secured onto the positioning plate (7) and then the target board attaches onto it.



### 1.3.10 Target extension rod for Honda (LAM09-09)

Generally the width of the calibration frame is specially designed to meet the calibration requirement of most vehicles, but for some vehicles with wider calibration distance, the target extension rod is required.

The target extension rod is used for LDW system calibration on some Honda vehicles. It needs to be secured onto the positioning plate (7) and then the target board attaches onto it.



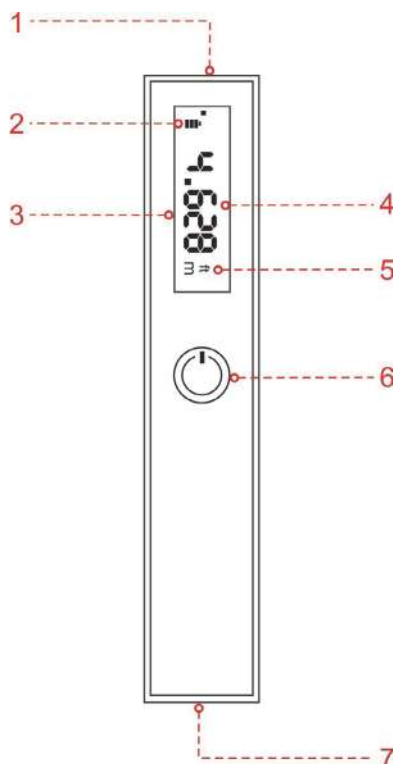
### 1.3.11 Laser range finder

The laser range finder is used to measure the height from the target / pattern board to the ground.

Since the laser range finder is not on the same level as the target board/pattern board, a precise tolerance value is preset in the ADAS calibration software for all vehicles and no more settings and calculations are required by users. When measuring the height, just follow the onscreen prompt height value to perform the calibration.



It is a Class 2 laser product in accordance with IEC 60825-1:2014. The product and batteries must not be disposed of with household waste.



1. Laser




Warning: Do not stare into the laser beam or direct it towards other people.

2. Battery power indicator

3. Display screen

4. Measured result

5. Measurement unit

To switch between the measurement units, triple click the  POWER button.

6.  POWER button

Long press - turn the meter on / off.

Short press - Start / pause measuring.

7. Battery compartment

Technical parameters:

Range	0.1 ~ 25m (0.33~82ft)
Accuracy	± 1/152ft

Laser class	2
Laser type	635-650nm, power < 1mW
Battery	2 AAA batteries or Lithium battery
Dimensions	4 x 1.4 x 0.7 inch (100 x 35 x 18mm)
Operating Temperature	14°F ~ 104°F / -10°C ~ 40°C

## 2 Initial Use

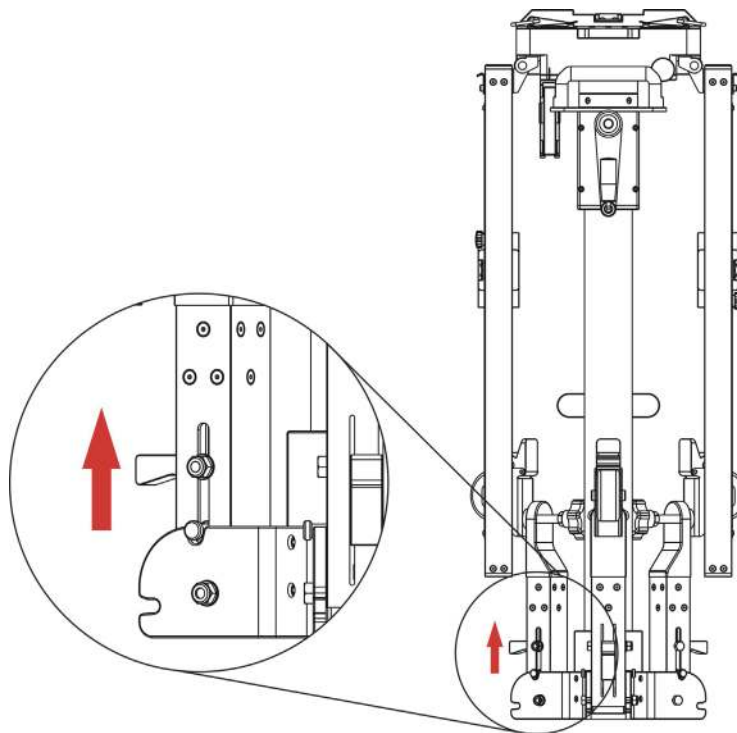
### 2.1 Place the calibration frame

By default, it is folded for easier shipment. Follow the steps below to unfold it.

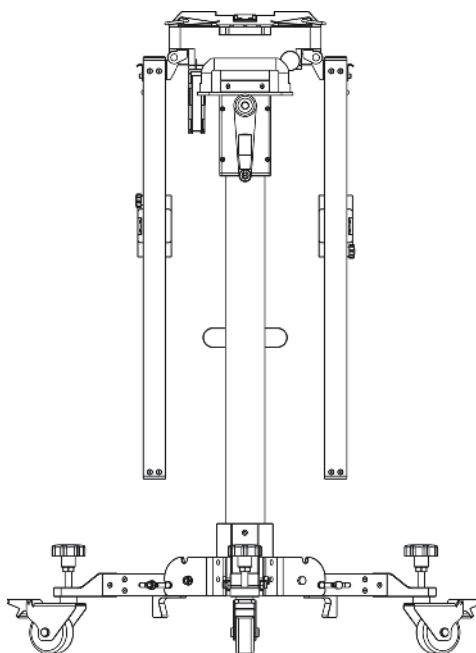


The heavy tool may tilt down and cause injuries, remember to always unfold the tool with the aid of a second person.

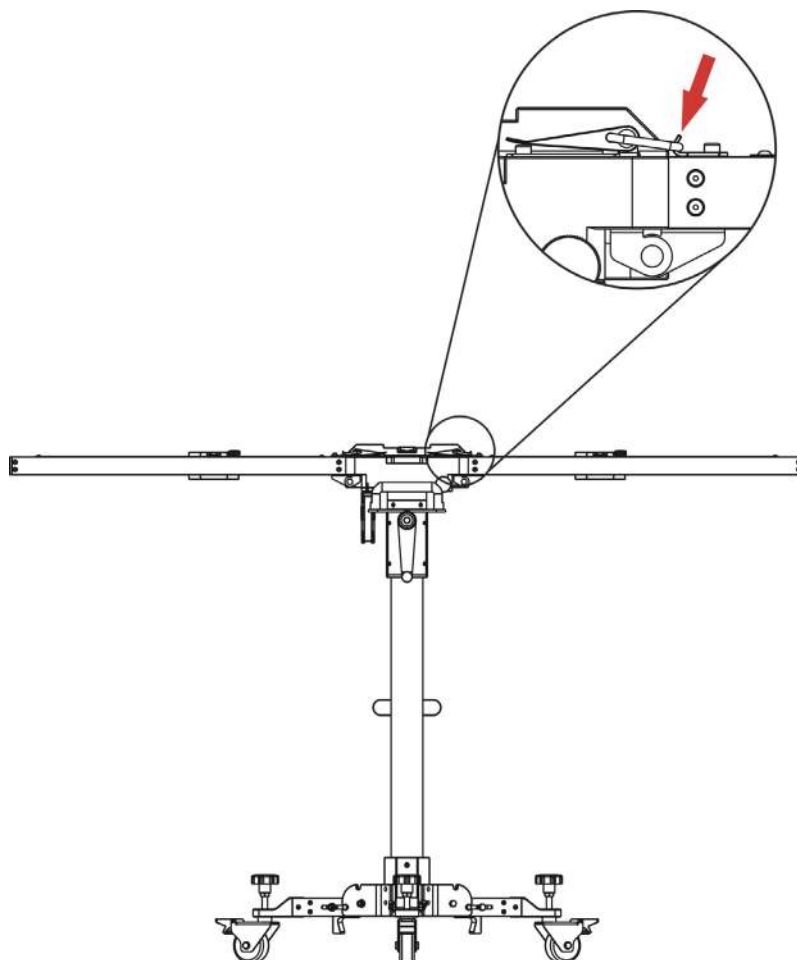
1. Take out the calibration frame and place it on a flat ground.
2. Push the lever (14) upwards as indicated in the following figure, and then pull the rolling caster (13) down on the ground.



3. Repeat step 2 for other two rolling casters.
4. Hold the handle (19) and raise the lifter up slightly off the ground, these rolling casters will be fully unfolded and firmly sit on the ground automatically. Then lay the lifter down.



5. Pull the right crossbar (1) up until it fully attaches to the positioning bracket (B), then use the safety snap hook (5) to fix it.



Beware of pinching hands while performing this step.

6. Repeat step 5 to unfold the left crossbar.

### 2.2 Activate ADAS function

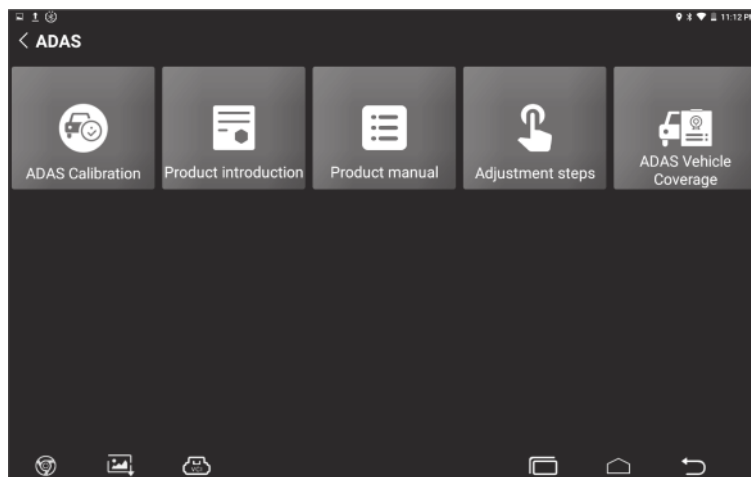
By default, the calibration feature of the pre-installed diagnostic software of diagnostic tool is disabled. To ensure normal use of the calibration function of the diagnostic software, you need to activate the pin card to unlock the calibration function on the diagnostic tool (sold separately) first.

Follow the steps below to activate it.



Different diagnostic tools have different accesses to the ADAS function. For details, please refer to the user manual of individual scanner.

1. Press the [POWER] button on the diagnostic tool to turn it on.
2. Go to "Toolbox" -> "ADAS" to enter the following screen:



The picture is for reference only, different product is different.

3. Tap ADAS Calibration to enter the ADAS activation screen.

Please choose the device serial number to activate the ADAS software:

Please enter the ADAS Activation Card password:

Activation Code

ACTIVATE

4. Scratch or scrap the designated area on the included Activation Card to reveal the password, and input the 24-digit password to activate it.
5. Now the ADAS function becomes accessible and is ready for use.



## 2.3 General Calibration Operations for LDW System

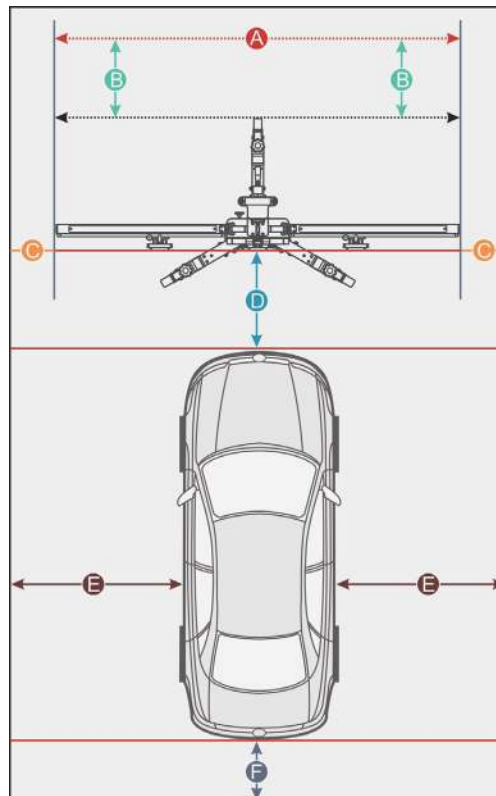
### 2.3.1 Precondition for the Use of the PHOENIX ADAS MOBILE

Regard the following in order to use the PHOENIX ADAS MOBILE:

- Vehicle system is working properly.
- No trouble codes stored in ECU memories.
- Prepare vehicle-specific calibration reference pattern.
- A diagnostic tool supporting ADAS system calibrating is required (sold separately).
- Front & rear axle track is properly adjusted.
- To calibrate accurately, please make sure the following workstation requirements are met (See Chapter 2.4.1.1 ~ Chapter 2.4.1.3).

#### 2.3.1.1 Workstation size

A. For front cameras



Distance A = the width of the cross member

Distance B = about 1m / 39.4inch (from the cross member to the wall)

Distance C = at least 0.5m / 19.7inch (from the edge of the cross member to other obstacles)

Distance D = varies from vehicle to vehicle, about 1.5m / 59inch is strongly recommended (from the calibration panel to the vehicle)

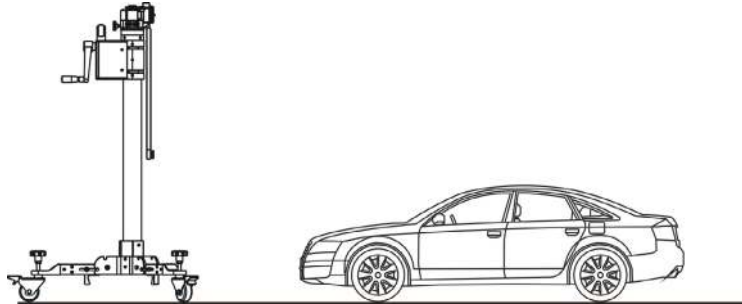
Distance E = reserved for about 1m / 39.4inch (from the vehicle to other obstacles)

Distance F = at least 0.5m / 19.7inch (a lane for technician to walk through)

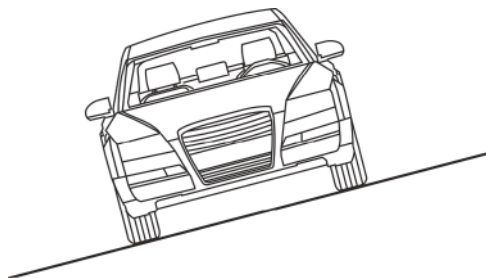
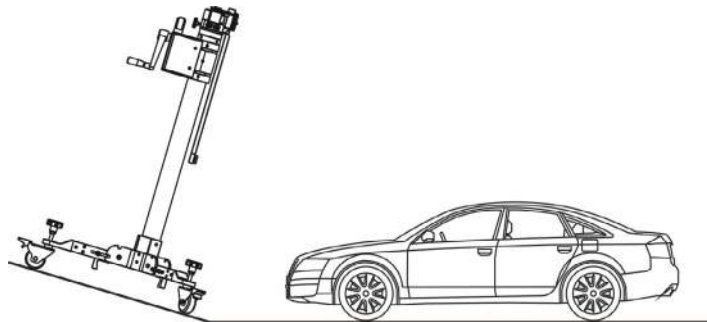
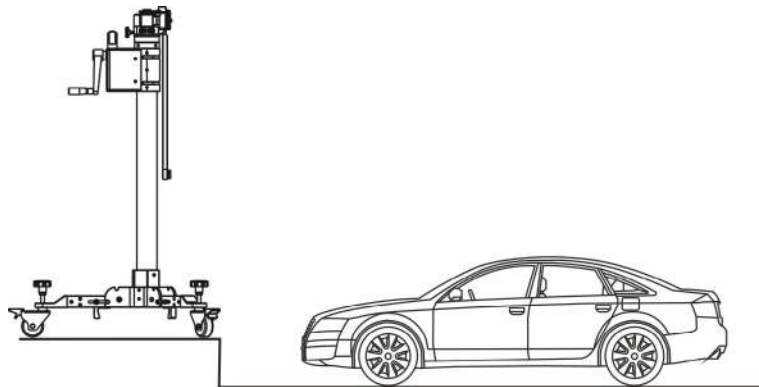
### 2.3.1.2 Workstation ground

Make sure the vehicle is parked with all wheels on an even floor surface.

Correct:



Wrong:



### 2.3.1.3 Workstation lighting

- The lighting system around the calibration workstation should be a non-frequency flash source, including but not limited to: LED light source, industrial lighting complying with international standards, dual light source in opposite phase.
- In the field of view of the camera, there should be no direct light source into the camera, otherwise the camera will reduce the exposure so that the captured calibration pattern becomes darker, adversely affecting the calibration.
- The light source should ensure that there is no reflected spot on the calibration panel.
- The light source should ensure uniform illumination distribution in the calibration workstation.
- The brightness of the light should not be changed, and ensure that there will be no other changing light source around the workstation, such as a driving vehicle with lights ON, etc.

### 2.3.2 Calibration Operation

The calibration operation should be performed strictly following the on-screen instructions on the diagnostic tool. For some vehicle models, calibration pattern and calibration tool are not mandatory. But for some camera-based ADAS, the calibration cannot be done without the help of calibration tool and calibration pattern. In this case, for the positioning of the calibration tool and vehicle, it is necessary for the user to manually finish it.

The following steps are needed when working with the PHOENIX ADAS MOBILE:

1. Determine the center line of the vehicle.
2. Determine the placement location of the PHOENIX ADAS MOBILE.
3. Place the PHOENIX ADAS MOBILE.
4. Adjust PHOENIX ADAS MOBILE in parallel with the vehicle.
5. Select and install the target/pattern board on the PHOENIX ADAS MOBILE.
6. Adjust the height of the target/pattern board.

Required accessories:

- Five-line laser device LAM09-01
- Cross laser module LAM09-02
- Laser reflector LAM09-03
- Auxiliary mirror LAM09-04
- L-shaped positioning bracket LAM09-05
- Plumb line LAM09-06

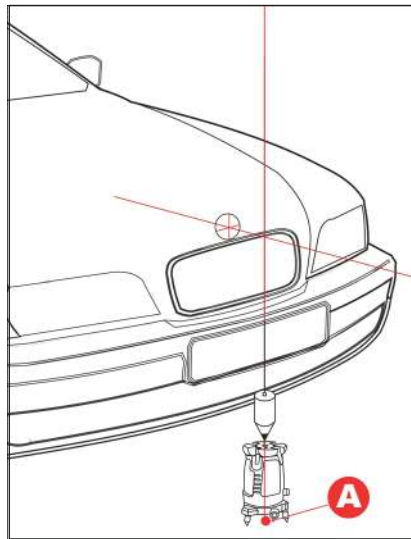
#### 2.3.2.1 Determine the center line of the vehicle

1. Suspend a plumb line LAM09-06 against the center of the front vehicle emblem and let it naturally drop to the ground. Mark the front center point of the vehicle (Point A) on the ground directly under the plumb.



Lightly flick the string with your fingers several times to confirm that the string is perpendicular to the ground.

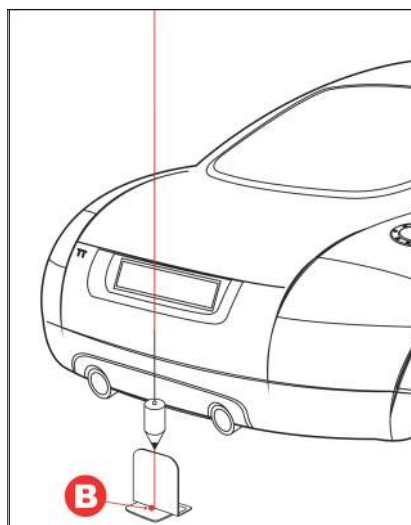
---



2. Place five-line laser instrument LAM09-01 at point A (the side of the laser instrument embedded with the logo opposite to the driving direction) to ensure that the red dot on the case aligns with the point A.
3. Suspend a plumb line LAM09-06 against the center of the rear vehicle emblem and let it naturally drop to the ground. Mark the front center point of the vehicle (Point B) on the ground directly under the plumb.



Lightly flick the string with your fingers several times to confirm that the string is perpendicular to the ground.



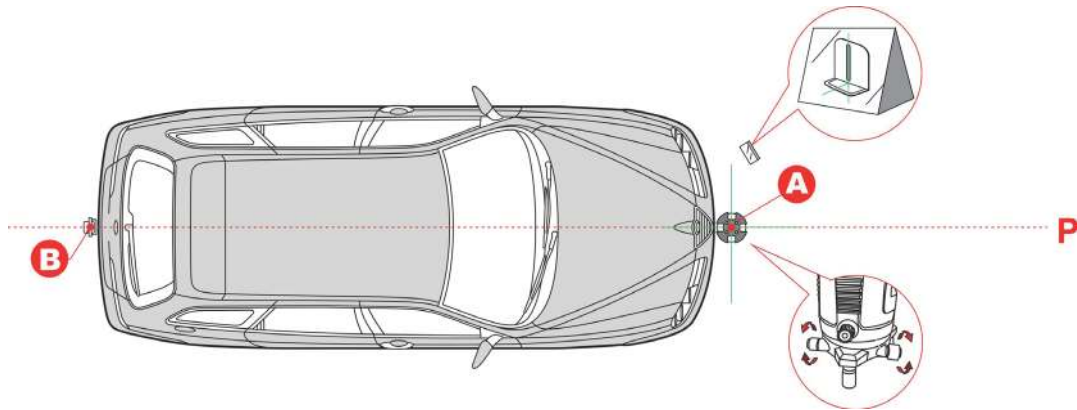
4. Place the laser reflector LAM09-03 parallel to the vehicle and ensure that the reflective stripe is aligned with point B.
5. Place the auxiliary mirror LAM09-04 in front of the vehicle.
6. Ensure that five-line laser instrument LAM09-01 is level, turn on the laser beams of the five-line laser instrument LAM09-01.



If the vehicle chassis is too low, the five-line laser instrument LAM09-01 cannot be placed under it, just move it a bit far away from the vehicle emblem.

7. Observe the position of the laser beam with the auxiliary mirror LAM09-04. Rotate the fine-tuning knob (5) of five-line laser instrument LAM09-01 to ensure the longitudinal laser beam aligns with the reflective stripe of the laser reflector LAM09-03.



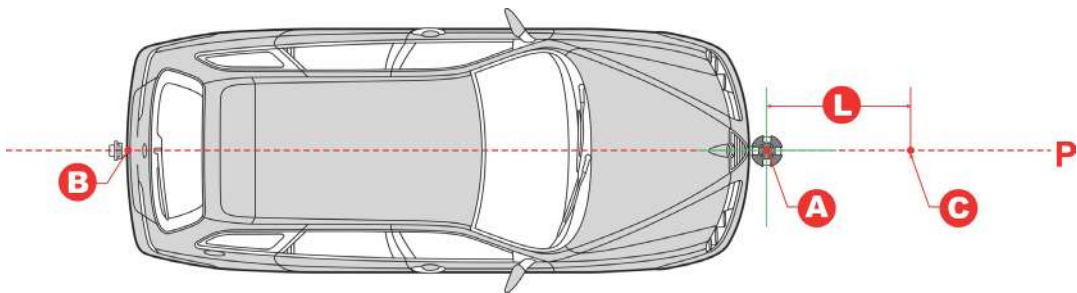


2.3.2.2 Determine the placement location of the PHOENIX ADAS MOBILE

The placement location of the PHOENIX ADAS MOBILE varies with the vehicles being serviced. Please strictly follow the on-screen prompts to determine it. In general, it includes the following possible options:

A. Measuring target/pattern board to front bumper

Mark point C in front of point A on the center line P, making sure that the distance (L) between point A and point C is the value specified in the on-screen app instructions.



B. Measuring target/pattern board to front hub center

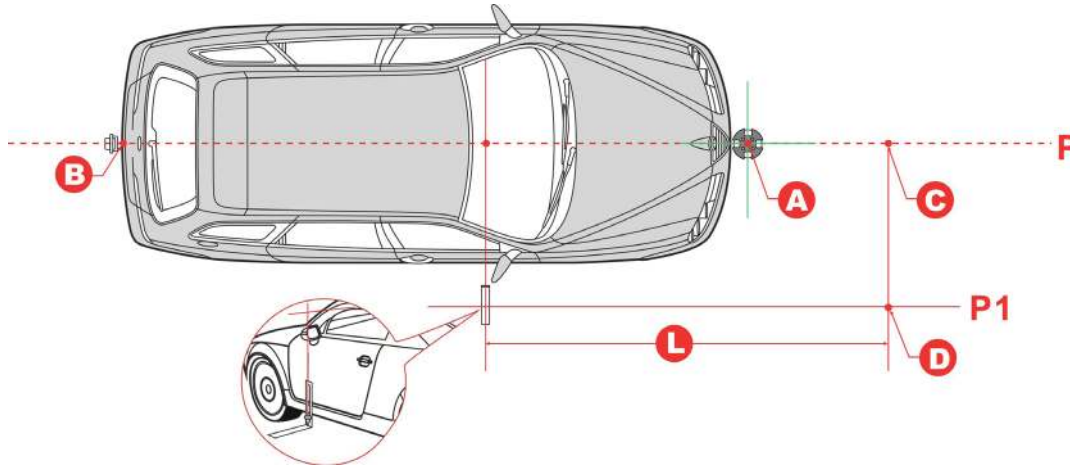
1. Place L-shaped positioning bracket LAM09-05 in the front hub center.
2. Mark point D in front of the L-shaped positioning bracket, making sure that the distance (L) between point D and L-shaped positioning bracket is the value specified in the on-screen app instructions.
3. Mark point C on the center line P to make the line from point C to point D is perpendicular to the center line P.



C. Measuring target/pattern board to front camera

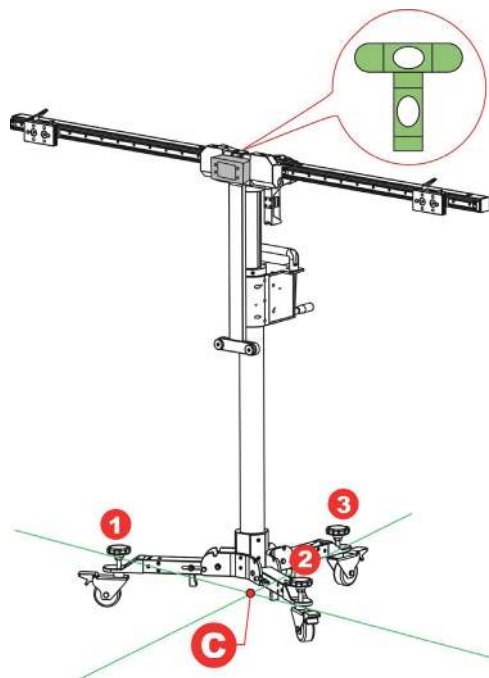
1. Place L-shaped positioning bracket LAM09-05 on the side of the vehicle to align it with the camera.

2. Mark point D in front of the L-shaped positioning bracket, making sure that the distance (L) between point D and L-shaped positioning bracket is the value specified in the on-screen app instructions.
3. Mark point C on the center line P to make the line from point C to point D is perpendicular to the center line P.



### 2.3.2.3 Place the PHOENIX ADAS MOBILE

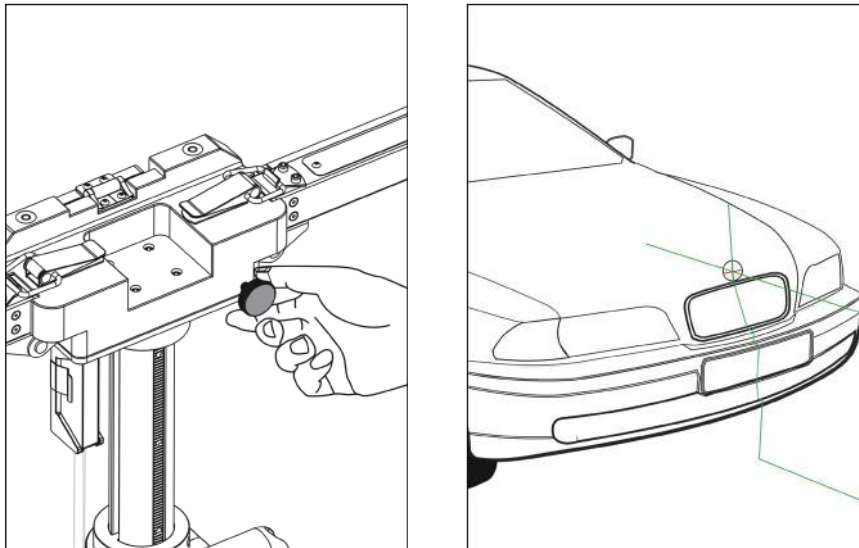
1. Place the cross laser instrument LAM09-02 close to the magnetic center positioning plate of the calibration frame with the beam output aiming at the vehicle front and it will be automatically attached onto the plate.
2. Turn the cross laser instrument LAM09-02 on, and then place the PHOENIX ADAS MOBILE to make the laser cross point of cross laser instrument LAM09-02 overlap point C.
3. Observe the level gauge bubbles on the crossbar. If the bubbles are not centered, turn the adjustment screws to adjust until the bubbles are centered.
4. Fix the PHOENIX ADAS MOBILE in place.



### 2.3.2.4 Adjust the PHOENIX ADAS MOBILE in parallel with the vehicle

1. Use the fine-tuning knob to adjust the crossbar position so that the longitudinal laser beam of cross laser instrument LAM09-02 overlaps the center line (and the center of the vehicle emblem), and then the

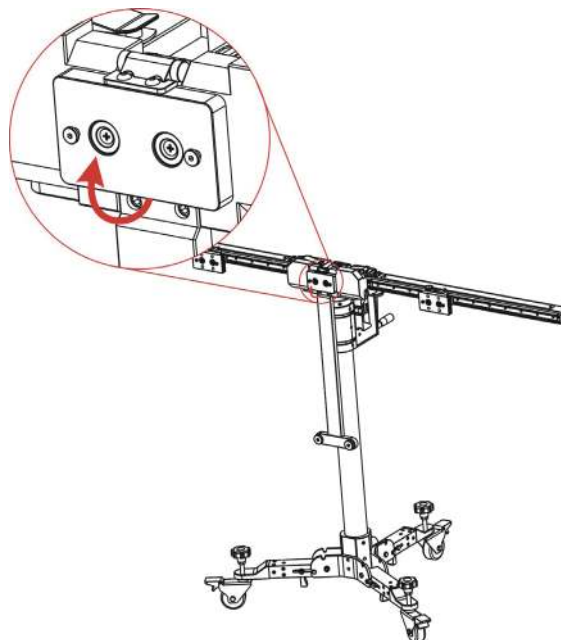
crossbar is parallel to the vehicle.



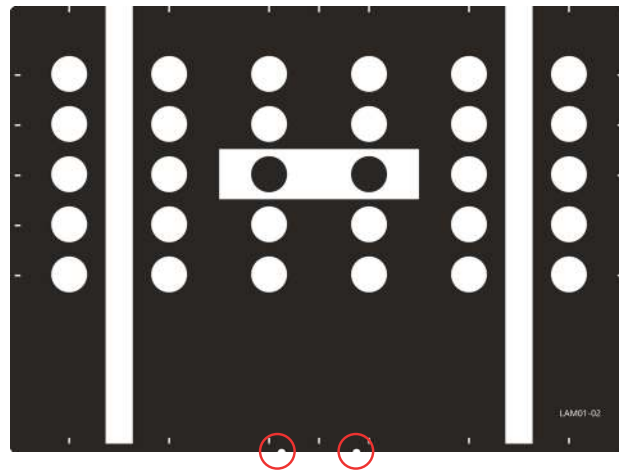
2. Turn off the cross laser instrument LAM09-02 and detach it from the center positioning plate.
3. Step the parking safety mechanism (12) down to fix the calibration frame to prevent it from moving.

### 2.3.2.5 Select the desired target / pattern board

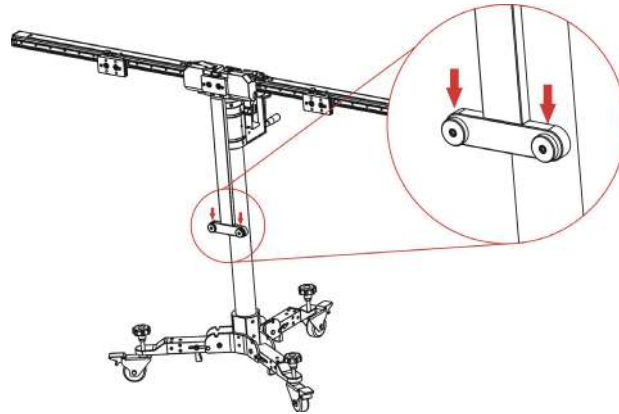
1. According to the vehicle being serviced, choose the corresponding target /pattern board.
2. For pattern board (larger), follow the steps below to install it.
  - 1). Pull the center positioning plate outwards and rotate it until it vertically stands on the calibration frame.



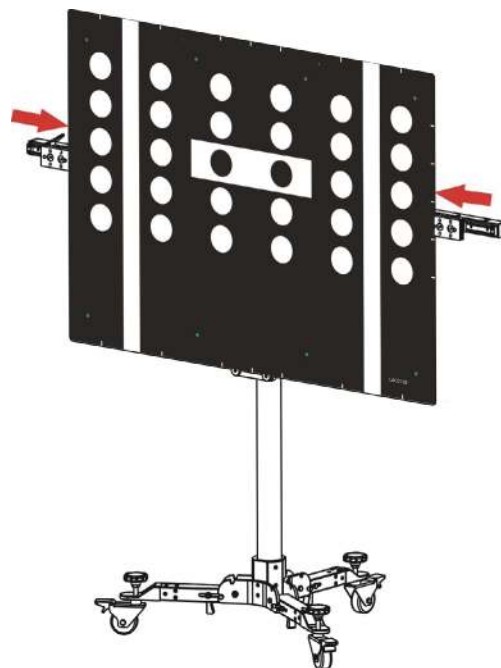
- 2). Locate the mounting holes on the calibration pattern board. Please note that there are two preset installation holes on the center of the bottom of each big pattern board.



3). Place the mounting holes on the pattern board holder.

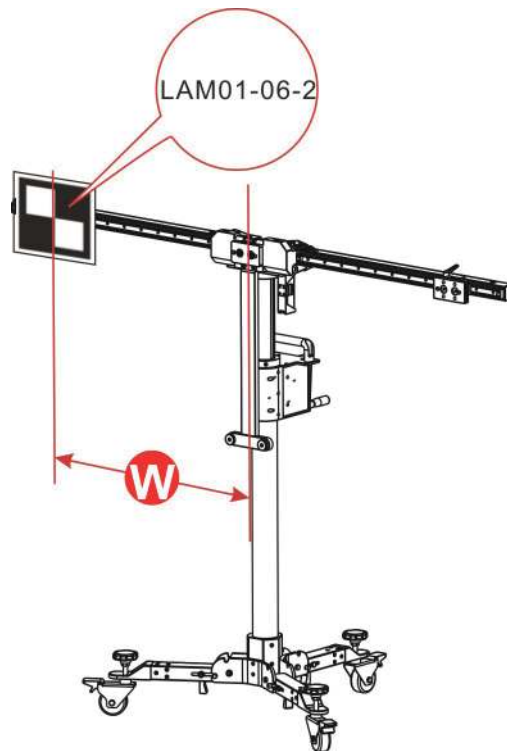


4). Slide the positioning plates at both ends until they firmly secure the pattern board.

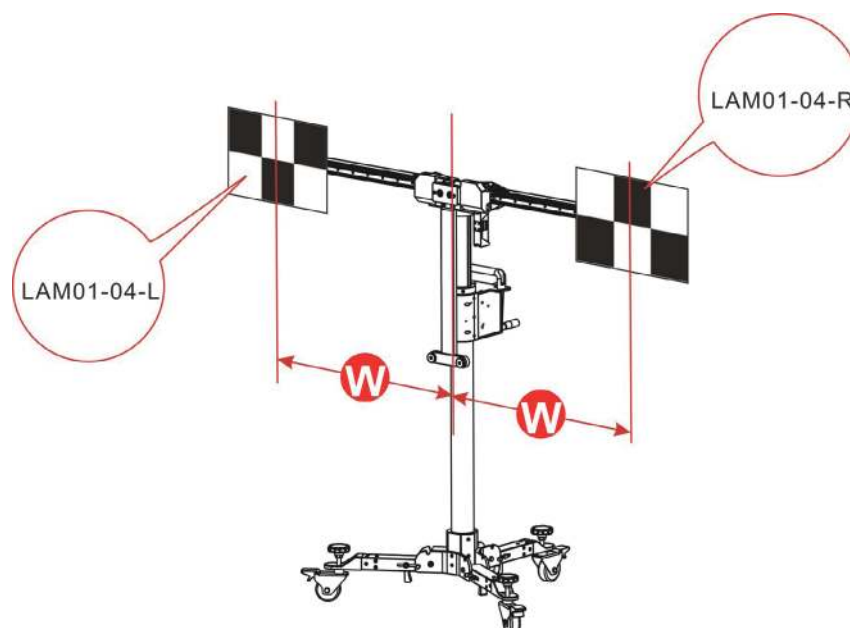


2. For target board (smaller), follow the steps below to install it.

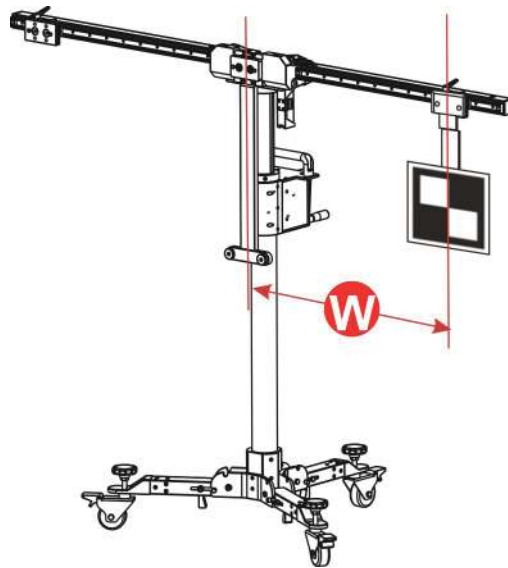
- 1). Please note that there are two preset mounting holes on the back of each small target board. Align the holes with the mounting hook on the positioning plate and insert them into the plate, then gently press the board down until it is firmly secured on the plate.
- 2). According to the on-screen ADAS calibration instructions on the diagnostic tool,
  - If the target board (e.g. LAM01-06-2) is installed on the left or right positioning plate, slide the positioning plate along the crossbar to the desired position (a red scale indicator (4) on the top of the bracket points at the scale ruler (2) on the crossbar).



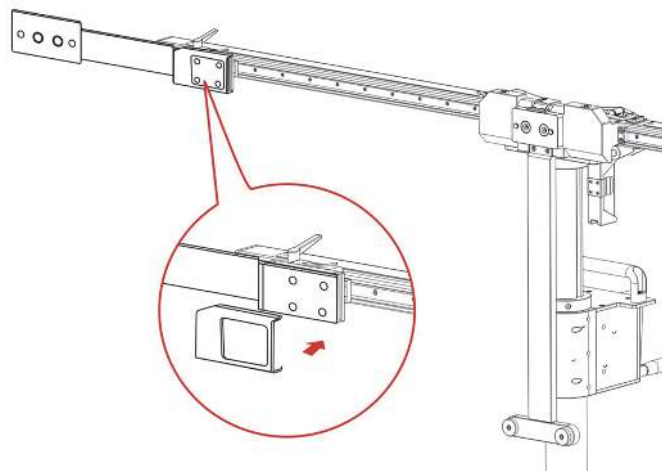
- If the target board mats (e.g. LAM01-04-L&LAM01-04-R) are installed, slide the positioning plate along the crossbar to the desired position (a red scale indicator (4) on the top of the bracket points at the scale ruler (2) on the crossbar). In this case, they should be installed in the same position on the crossbars.



- If the target board extension rod (e.g. LAM09-08 / LAM09-09) is required (in the condition that the height or width of the PHOENIX ADAS MOBILE cannot meet the specified value), first attach the extension rod on the positioning plate, and then install the target board on the extension rod.

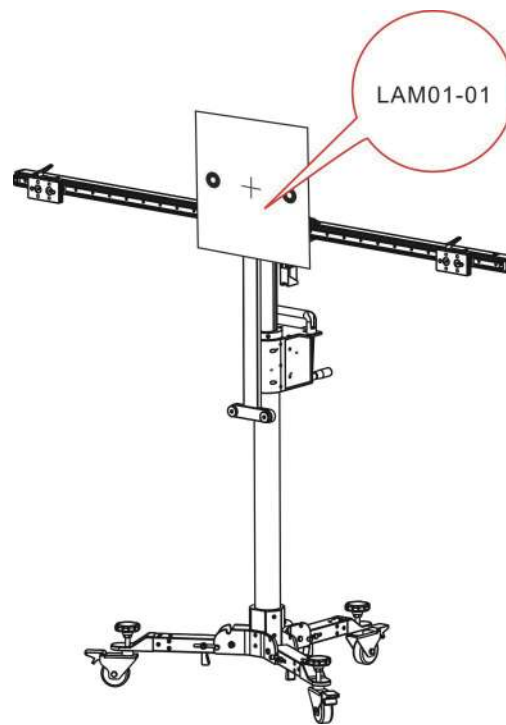


For LAM09-08 horizontal extension rod, you are recommended to use the included lock cover to lock the extension rod to prevent it from being displaced due to the installed heavy target board. Hold it and cover it on the extension rod (See the following figure).



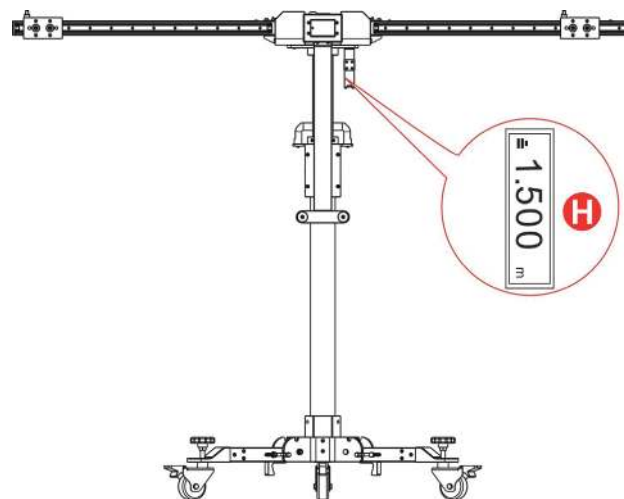
- If the target board (e.g. LAM01-01) is installed on the center positioning plate, go to the next step.





### 2.3.2.6 Set the height

Use the hand crank (18) to adjust the height until the value displayed on the laser range finder matches the value specified in the on-screen instructions.



Since the laser range finder is not on the same level as the target board/pattern board, a precise tolerance value is adjusted for the calibration height of each vehicle on the diagnostic tool and no more settings and calculations are required by users.

### 3 Start Calibration

#### 3.1 Calibrating the front camera

This chapter describes a general operation procedure of front camera calibration. For example, here we take the 2017 Audi Q5 USA/Canada to demonstrate how to make calibration.

##### 3.1.1 When to calibrate?

1). The following diagnostic trouble codes are found on the vehicle (No or incorrect basic setting/adaption):

- B201000 - No basic setting
- C110A54 - No basic setting
- B201100 - Wrong basic setting

2). The following repairs and replacements are made on the vehicle:

- Front camera has been replaced.
- The windshield has been removed, installed or replaced.
- Chassis structure has been changed/adjusted.
- One of the vehicle level sensors of the wheel damping electronics or the level control has been replaced.

##### 3.1.2 Operation Notes

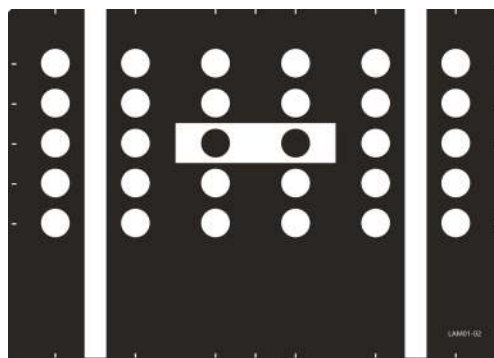
Make sure the following conditions are met:

###### On vehicle & diagnostic tool

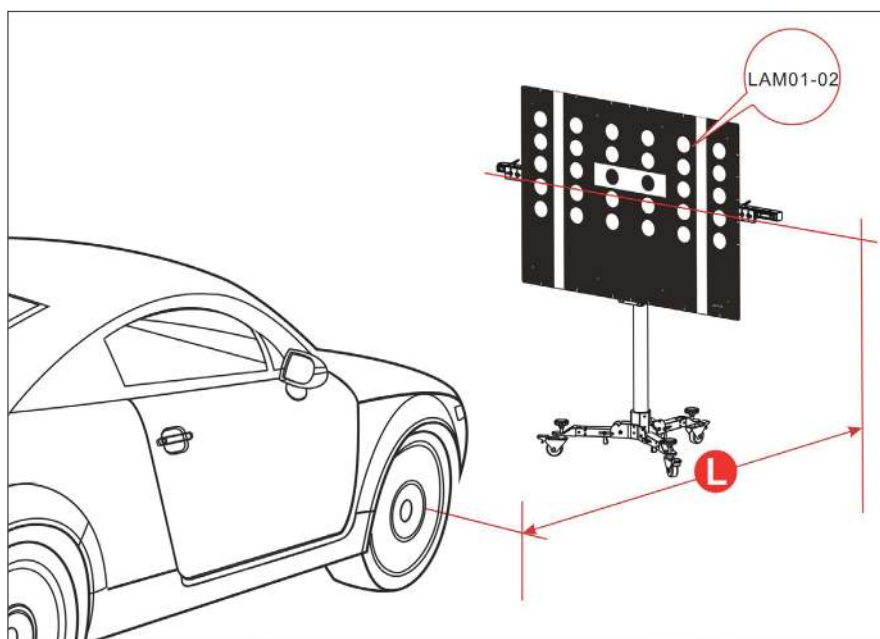
- Use the AUDI diagnostic software version 28.50 or above to perform the calibration.
- Only the calibration-related fault trouble codes are found on the vehicle, all other fault memory records must have been cleared.
- Make sure that the VCI device has been plugged into the vehicle's DLC.
- Turn on the ignition.
- Park the unloaded vehicle along with the four wheels on a horizontal surface.
- All vehicle doors must be closed.
- Wheel pressure is set to the standard value.
- Turn off the headlamp.
- Camera view is free and clean.

###### On calibration tool

- The front wheel is at straight ahead position, and the steering angle sensor is set to zero.
- Use the LAM01-02 calibration pattern.



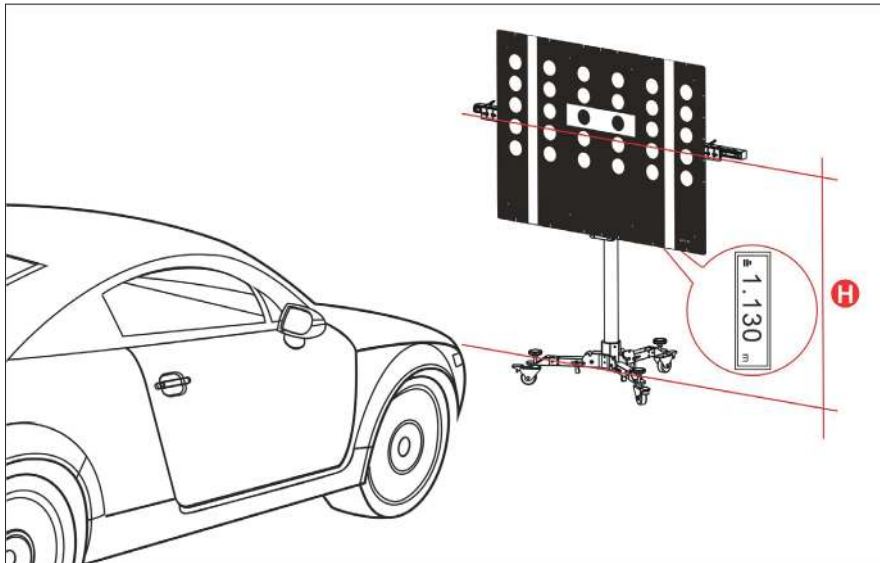
- ADAS calibration pattern is placed in parallel in front of the vehicle.
- ADAS calibration pattern is placed in the center of the front of the vehicle.
- The distance from calibration pattern to the center point of the front wheel hub is 1.5m (59inch).



The following table formulates the reference distance range for other Audi models when performing front camera calibration.

1.5m (59inch)		1.7m (67inch)	
AUDI A3 2013>	2013~2018	AUDI Q2 2017>	2017~2018
AUDI A3 USA /CANADA 2013>	2014~2018	AUDI Q3 2012>	2012~2018
AUDI A4 2016>	2016~2018	AUDI Q3 USA /CANADA 2012>	2014~2018
AUDI A4 USA /CANADA 2016>	2016~2018	AUDI Q5 2017>	2017~2018
AUDI A5 2017>	2017~2018	AUDI Q5 USA /CANADA 2017>	2017~2018
AUDI A6 2011>	2011~2018	AUDI Q7 2016>	2016~2018
AUDI A6 USA /CANADA 2011>	2011~2018	AUDI Q7 USA /CANADA 2016>	2015~2018
AUDI A7 2011>	2011~2018		
AUDI A7 USA /CANADA 2011>	2011~2018		
AUDI A8 2010>	2010~2018		
AUDI A8 USA /CANADA 2010>	2010~2018		
AUDI A5 USA /CANADA 2016>	2017~2018		
AUDI TT 2015>	2015~2018		
AUDI TT USA /CANADA 2015>	2015~2018		

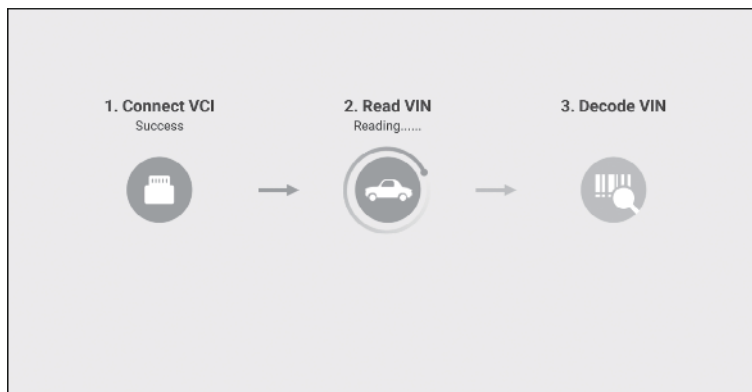
- Make sure the value displayed on the laser range finder screen is 1.13m or 44.5inch (the height from the center of the calibration pattern to the ground).



### 3.1.3 Start calibration

Follow the steps below to proceed:

1. Tap "Toolbox" -> "ADAS" on the diagnostic tool.
2. The diagnostic tool starts communicating with the VCI and reading VIN. After the VIN is successfully decoded, a screen similar to the following appears:



▼

Model
Audi Q3 USA/CDN 2014>
Audi Q5 2009 >
Audi Q5 2017>
Audi Q5 Usa/Cdn 2009>
<b>Audi Q5 Usa/Cdn 2017&gt;</b>
Audi Q7 2007>
Audi Q7 2015>
Audi Q7 USA/CDN 2015>
Audi Q7 Usa/Cdn 2007>

3. Select Audi Q5 Usa/Cdn 2017>.

Model Year
2017 (H)
2018 (J)

(Select 2018 (J))



Variant
Suv

(Select SUV)



Engine
Cwgd 3.0l Tfsi / 260kw
Dayb 2.0l Tfsi / 185kw
Dfva 2.0l Tdi / 140kw

(Select Engine - Dfva 2.0l Tdi/140kw)



4. Double check your selections and tap Confirm to go to the next step.



Name	Contents
Vehicle VIN	
Model	Audi Q5 Usa/Cdn 2017>
Model Year	2018 (J)
Version	Suv
Engine	Dfva 2.0l Tdi / 140kw

Confirmed

5. Select the system to be calibrated.

System Selection
13 Adaptive Cruise Control
82 Head Up Display
8B Adaptive Cruise Control 2
A5 Front Sensors Driver Assistance System
CF Control Unit Lane Change Assistant 2

(Select A5 Front Sensors Driver Assistance System)



System & Variant
A5 - Front Camera

(Select A5 - Front Camera)



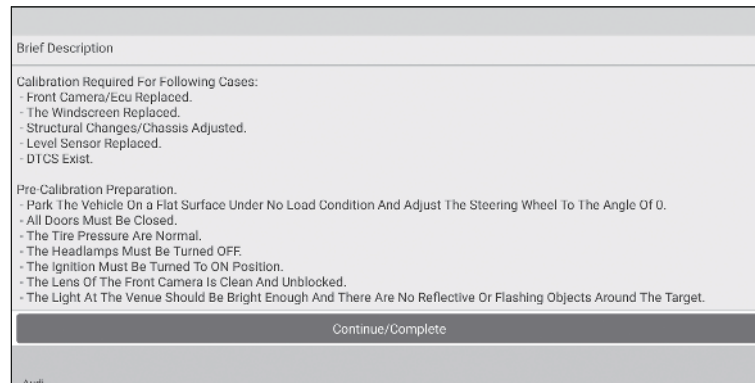
Guided Functions
A5 - Calibrate Control Module

(Select A5 - Calibrate Control Module)

6. Select A5 - Calibrate Control Module to continue.

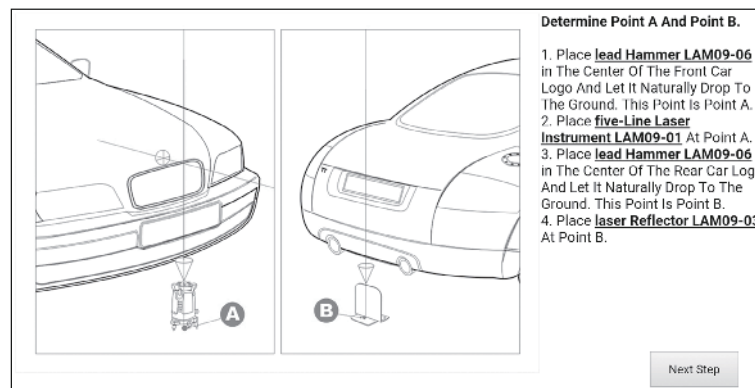


7. Swipe the screen to carefully read all calibration conditions and tips and double check all pre-calibration preparations are well made or not. If yes, tap Complete/Continue.

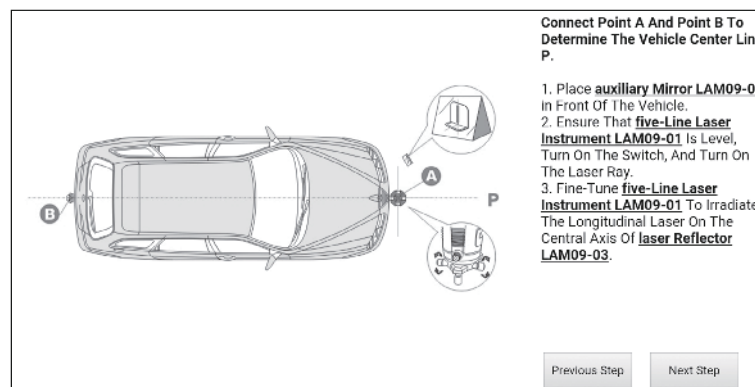


8. Check if the following steps have been done or not.

1). Determine the center line of the vehicle being tested.

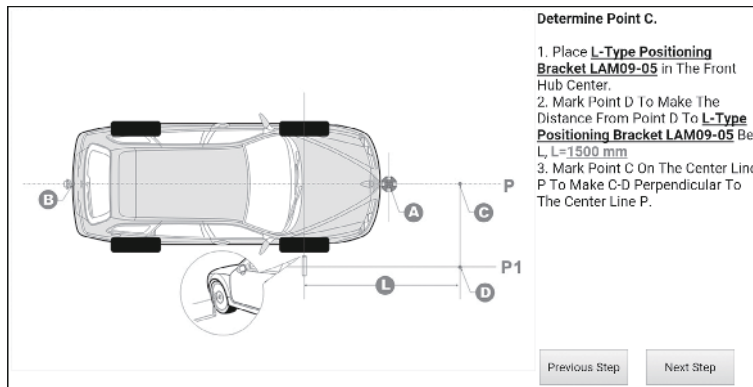


(Tap Next Step)



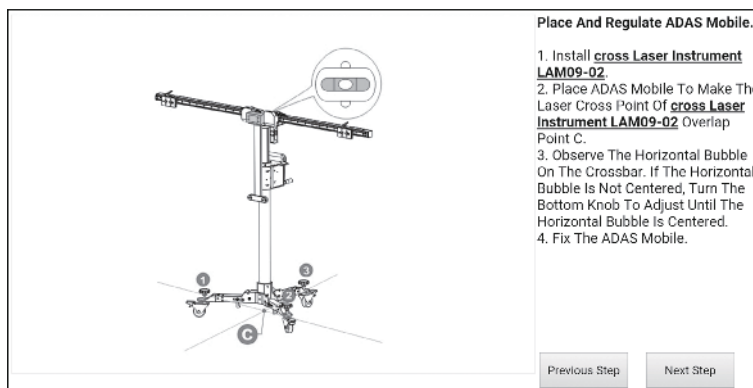
(Tap Next Step)

2). Determine the placement location of the PHOENIX ADAS MOBILE.



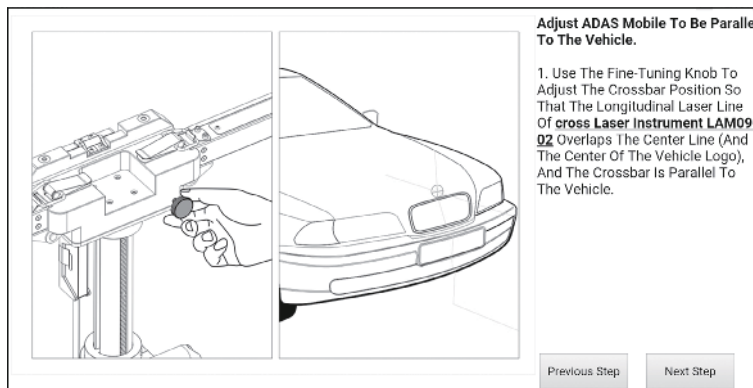
(Tap Next Step)

3). Place the PHOENIX ADAS MOBILE.



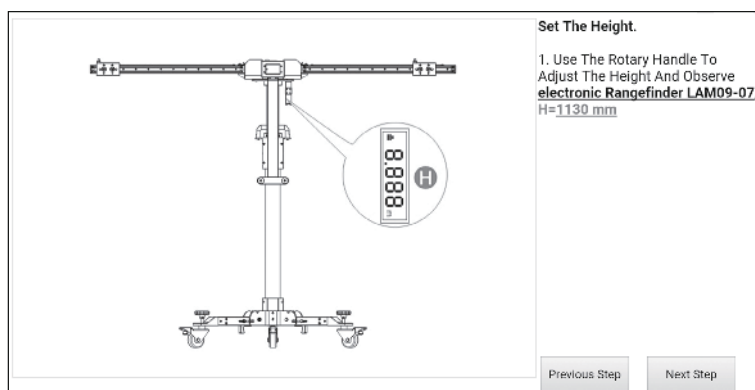
(Tap Next Step)

4). Adjust the PHOENIX ADAS MOBILE in parallel with the vehicle.



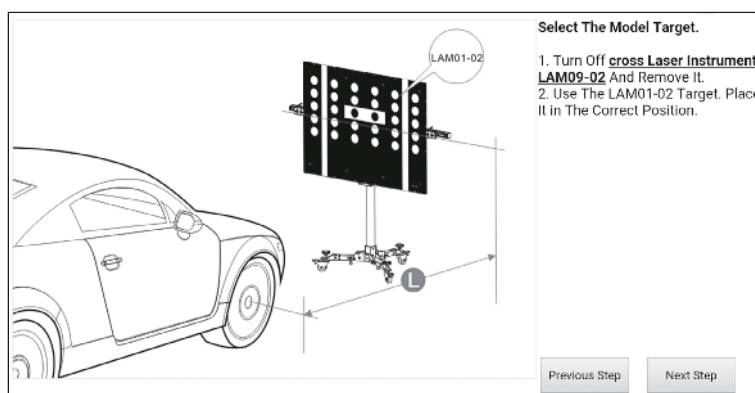
(Tap Next Step)

5). Set the height.



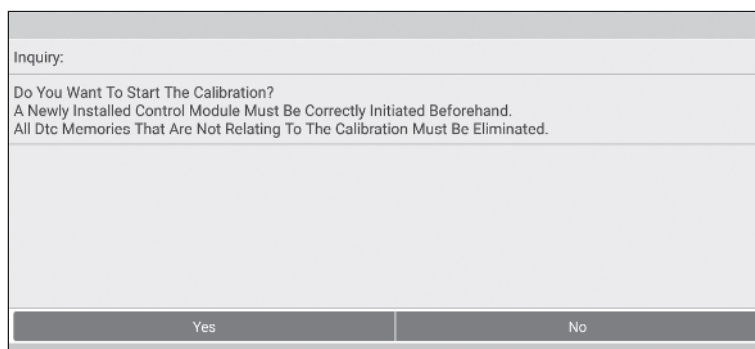
(Tap Next Step)

6). Select the LAM01-02 pattern board.



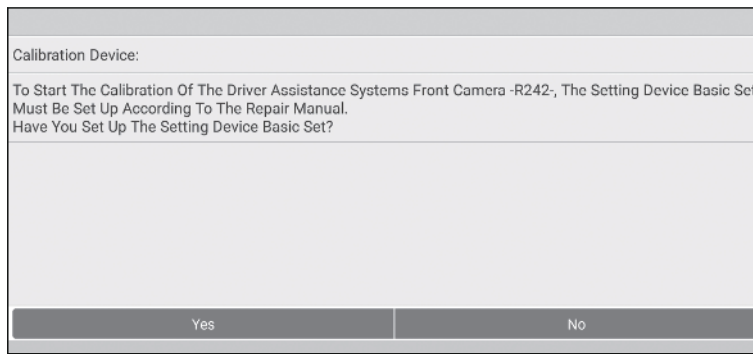
(Tap Next Step)

9. The following dialog box displays on the screen. Before calibrating, make sure that all DTCs that are not related to the calibration have been erased. If yes, tap Yes to go to the next step.

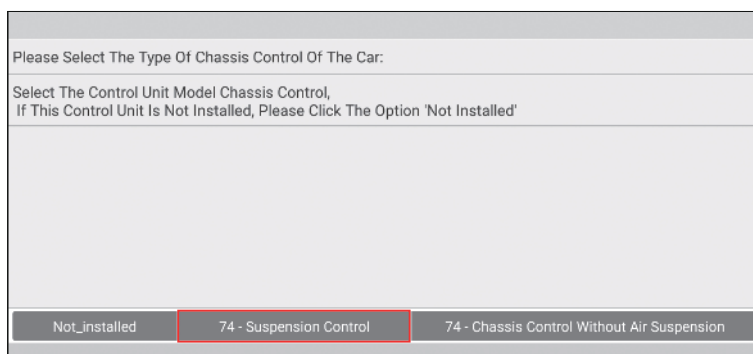


(Tap Yes)

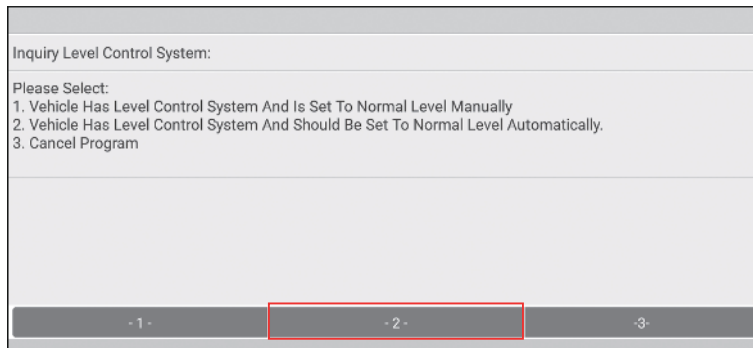




(Tap Yes)

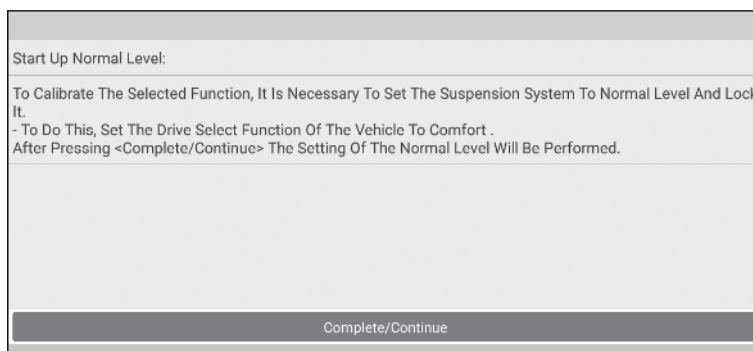


10. Select 74 - Suspension Control to choose how to set the vehicle level system to normal level.



(Select -2-)

11. Tap -2- (Vehicle has level control system and should be set to normal level automatically). Set the drive select function of the vehicle to COMFORT to set the suspension system to normal level and lock it.



12. Tap Complete/Continue, follow the on-screen instruction to finish the startup, evaluate chassis status and level control system, and enter the wheel housing edge values (\*please enter the values in



millimeter).

Enter Wheel Housing Edge Values:

These Values Have Been Entered:  
 Height Left Front: 608.00 Mm  
 Height Right Front: 608.00 Mm  
 Height Left Rear: 608.00 Mm  
 Height Right Rear: 608.00 Mm  
 Distance To Board: 1500.00 Mm  
 Are These Values Ok?

Yes No

13. Double check whether all values are correct or not. Tap Yes to write the adaption values into the driver assistance systems.

Repeat Adaptation:

The Adaptation Values For The Calibration Have Been Successfully Written in The Driver Assistance Systems  
 Front Camera -R242-  
 Height Left Front: 608.00 Mm  
 Height Right Front: 608.00 Mm  
 Height Left Rear: 608.00 Mm  
 Height Right Rear: 608.00 Mm  
 Distance To Board: 1500.00 Mm

Complete/Continue

14. Tap Complete/Continue to set the calibration mode, start calibration and read calibration values.

Read Calibration Values:

Results Of Calibration:  
 Calibration Status: basic setting routine - finished correctly  
 Calibration Result: Service\_OK  
 Rotation Angle Of Camera: -0.00  
 Pitch Angle Of Camera: 5.73  
 Swing Angle Of Camera: 5.73  
 Camera Height: 4000.00  
 Date / Time Of Calibration: 27.11.2018 / 17:38:10

Complete/Continue

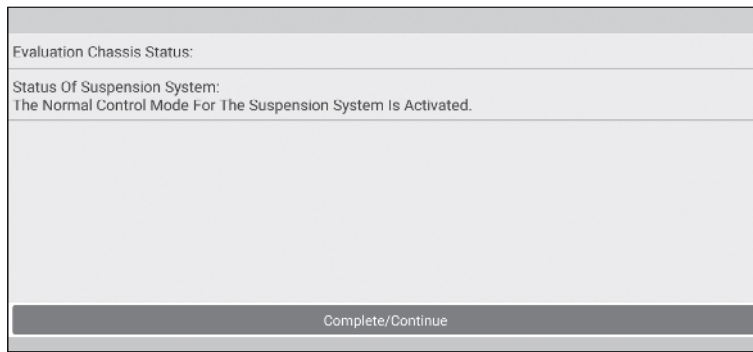
15. Tap Complete/Continue to inquire the level control system and select the type of chassis control of the vehicle.

Please Select The Type Of Chassis Control Of The Car:

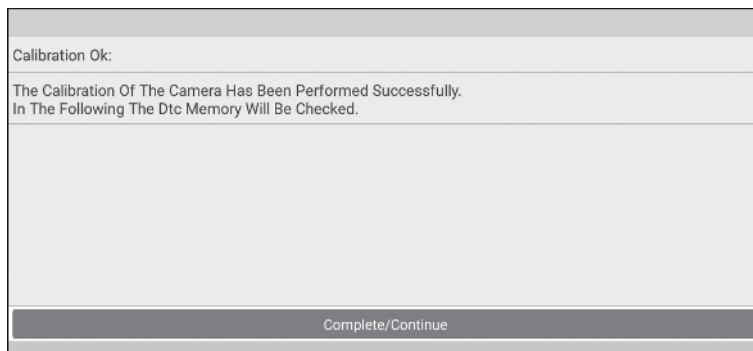
Select The Control Unit Model Chassis Control,  
 If This Control Unit Is Not Installed, Please Click The Option 'Not Installed'

Not\_installed 74 - Suspension Control 74 - Chassis Control Without Air Suspension

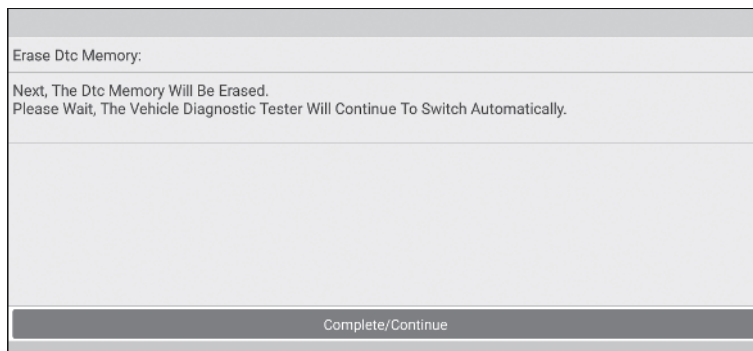
16. Select 74 - Suspension Control to reset the level control system to normal control mode and activate the level control system of the suspension system.



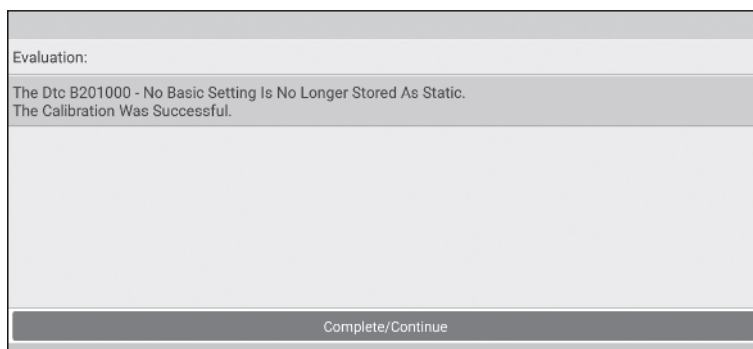
17. Tap Complete/Continue to finish the calibration of front camera. Next the diagnostic tool will clear the previously existed diagnostic trouble codes.



18. Tap Complete/Continue to wait the diagnostic tool to automatically erase the DTCs related to the calibration.

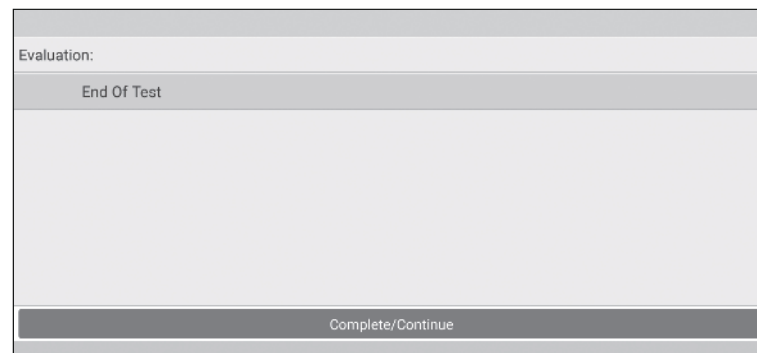


19. Tap Complete/Continue to confirm whether the DTCs have been erased or not.



20. Tap Complete/Continue to confirm and end the whole calibration session.





## 3.2 Calibrating the rear camera

This chapter describes a general operation procedure of rear camera calibration on AUDI A4 USA/Canada 2016 (Model Year 2018).

### 3.2.1 When to calibrate?

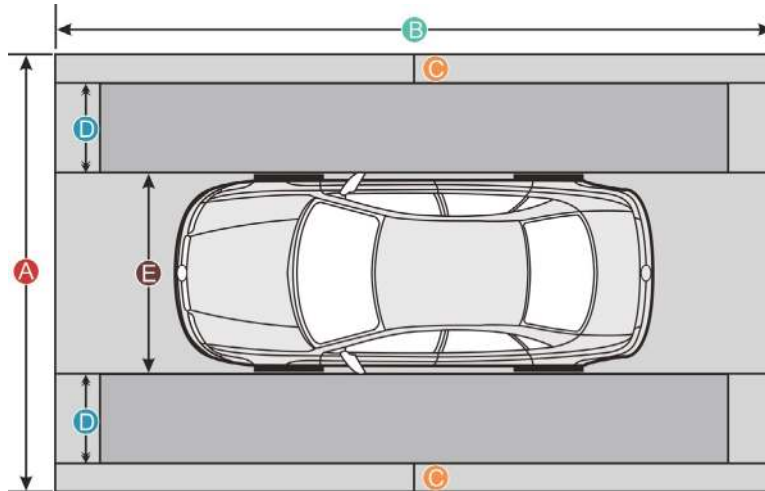
- 1). The following diagnostic trouble code is found on the vehicle:
  - B201000 - Rear view system has not been calibrated.
- 2). The following repairs and replacements are made on the vehicle:
  - The backup camera R189 has been removed and installed.
  - The backup camera system control unit J772 has been replaced.
  - After the accident repair has been done on the rear body or the trunk lid.
  - After four-wheel alignment.
  - After repair work has been made on the front or rear axle.

### 3.2.2 Operation Notes

Make sure the following conditions are met:

#### WorkStation Size

For calibrating the rear & AVM camera, the whole workstation size depends on the vehicle size and the calibration reference pattern. The following illustration describes the maximum workstation size for reference only.

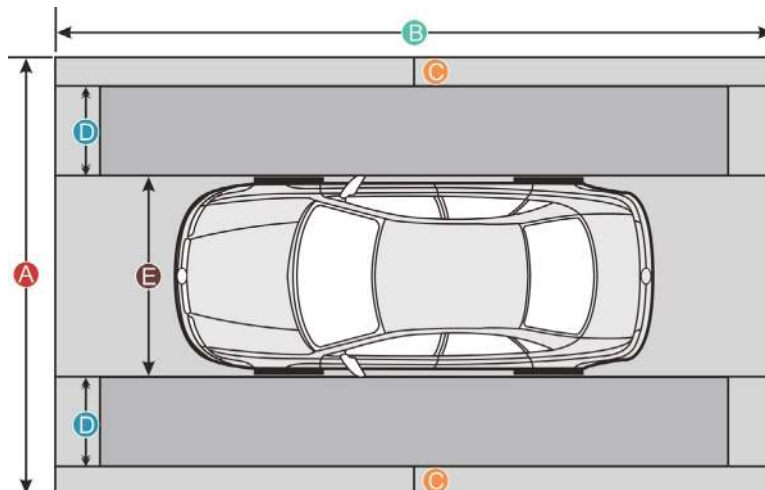


### 3.2.2 Operation Notes

Make sure the following conditions are met:

#### WorkStation Size

For calibrating the rear & AVM camera, the whole workstation size depends on the vehicle size and the calibration reference pattern. The following illustration describes the maximum workstation size for reference only.



	American vehicles	European vehicles	Asian vehicles
Distance A (the width of the whole workstation)	about 7.3m (287.4inch)	about 4.5m (117.2inch)	about 6.1m (240inch)
Distance B (the width of the whole workstation)	about 12m (472inch)	about 7m (275.6inch)	about 9.5m (374inch)

Distance C (a lane for technician to walk through)	at least 0.5m (19.7inch)	at least 0.5m (19.7inch)	at least 0.5m (19.7inch)
Distance D (the width of the calibration reference pattern. It varies from vehicle to vehicle)	about 1.7m (67inch)	about 0.8m (31.5inch)	about 1.6m (63inch)
Distance E (the width of the vehicle, varies from vehicle to vehicle)	about 2.9m (114inch)	about 1.9m (74.8inch)	about 1.9m (74.8inch)

On vehicle & diagnostic tool

- Use the AUDI diagnostic software version 28.50 or above to perform the calibration.
- Make sure that there should be no direct light reflecting on the calibration pattern. Reflecting light affects the image recognition of the camera and calibration failure becomes possible.
- Make sure that the VCI device has been plugged into the vehicle’s DLC.
- Turn on the ignition.
- The backup camera has been activated (Backup camera image can be seen).
- The vehicle is in good condition and no one is allowed to sit in the vehicle.
- Fuel tank is full.
- Maintain the standard wheel pressure.

On calibration tool

- Use the LAC02-03 calibration pattern.



LAC02-03

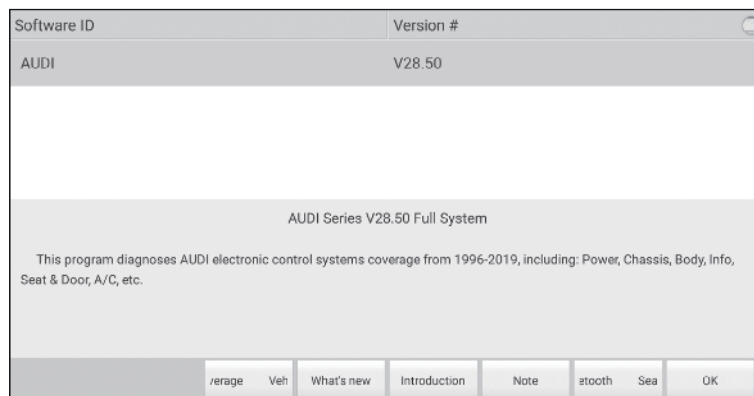
- Ruler or tape measure is necessary.
- Calibration tool setting: The calibration pattern is parallel to the axis of the rear wheel of the vehicle and is centred. The distance from the edge of the LAC02-03 to the center of the rear wheel is  $1500 \pm 10$  mm or  $59.055 \pm 0.394$  inch. For Phaeton, it is  $1700 \pm 10$  mm or  $66.929 \pm 0.394$  inch.



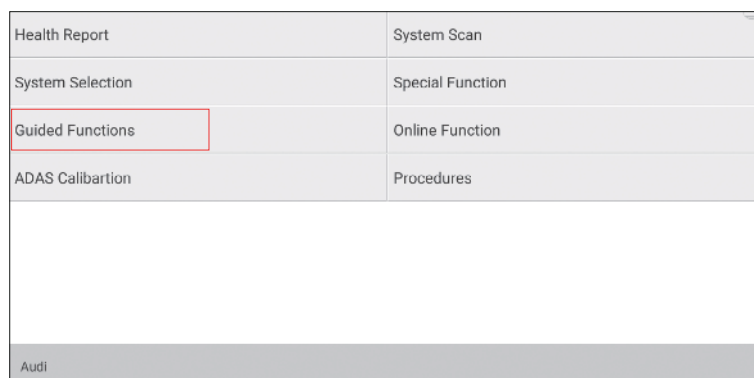
### 3.2.3 Start calibration

Follow the steps below to proceed:

1. Choose AUDI on the diagnostic software selection screen.



2. Tap OK to enter the following diagnostic menu screen.



3. Choose Guided Functions to enter vehicle model selection screen.



Model
Audi A4 2008>
Audi A4 2016 >
Audi A4 USA/CDN 1998>
Audi A4 USA/CDN 2002>
Audi A4 USA/CDN 2008>
Audi A4 Usa/Cdn 2016>
Audi A5 2008>
Audi A5 2016>

(Select Audi A4 Usa/Cdn 2016>)

Model Year
2016 (G)
2017 (H)
2018 (J)

(Select 2018 (J))



Variant
Sedan
Allroad

(Select Sedan)



Engine
Cwgd 3.0l Tfsi / 260kw
Cymc 2.0l Tfsi / 185 Kw
Dbpa 2.0l Tfsi / 140kw
Dfva 2.0l Tdi / 140kw

Audi

(Select Engine - Dfva 2.0l/140kw)



4. Double check your selections and tap Confirm to go to the next step.

Name	Contents
Vehicle VIN	
Model	Audi A4 Usa/Cdn 2016>
Model Year	2018 (J)
Version	Sedan
Engine	Dfva 2.0l Tdi / 140kw

Confirmed

Audi

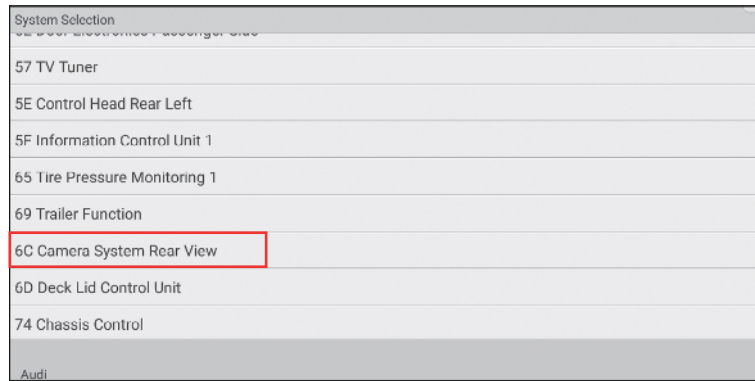
5. Select System Selection from the Guided functions list.

System Selection
Special Function
Test Plan

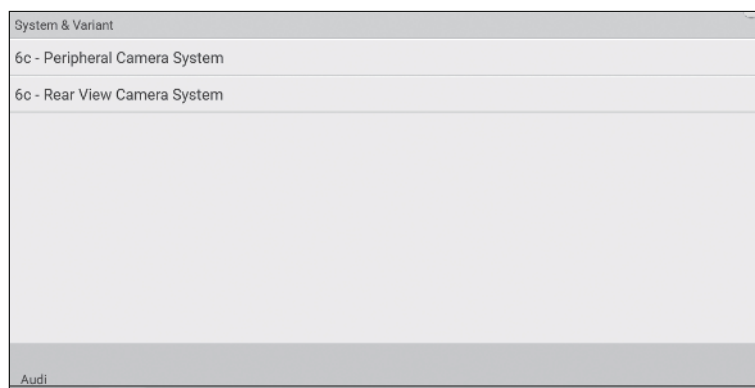
Audi

(Select System Selection)

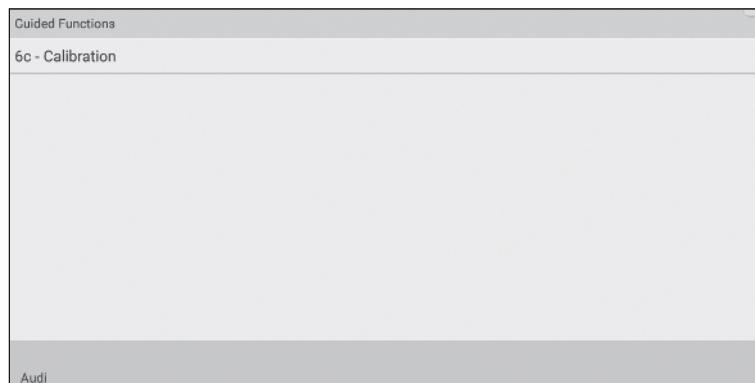




(Select 6C Camera System Rear View)



(Select 6c - Rear View Camera System)

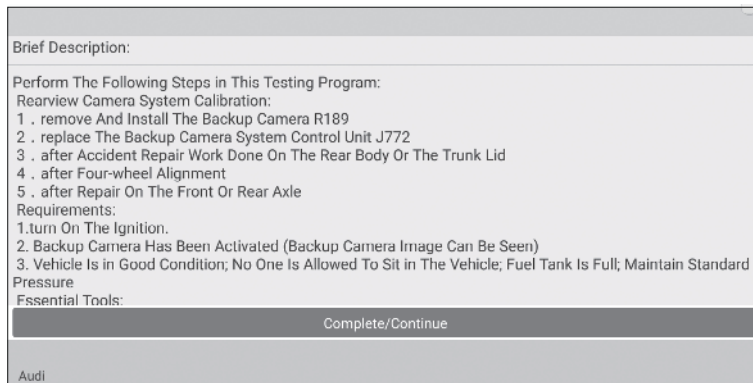


(Select 6c - Calibration)

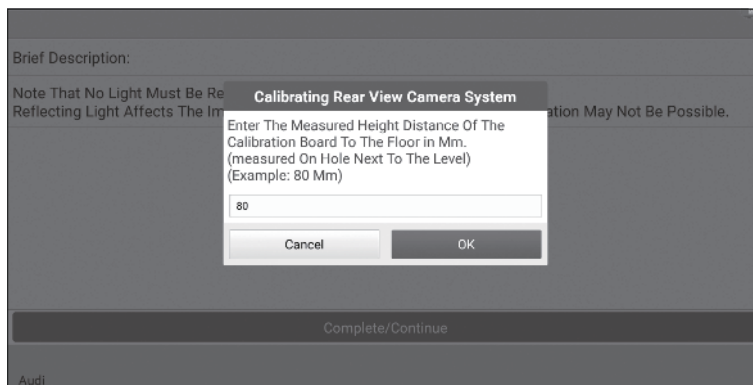


6. Swipe the screen from the bottom to scroll and carefully read all instructions and notes on calibration operation. Tap Complete/Continue to continue.

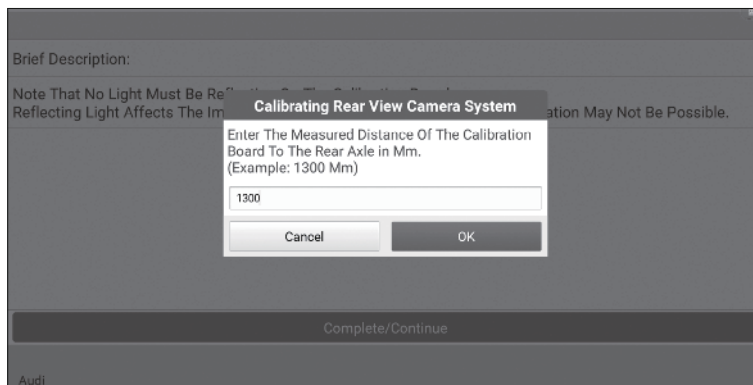




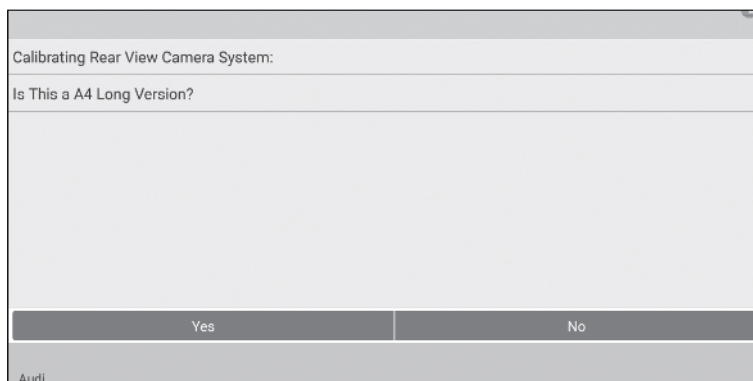
7. Input the measured height distance of the calibration pattern to the floor in millimeter (for example: 80mm), and tap OK to confirm.



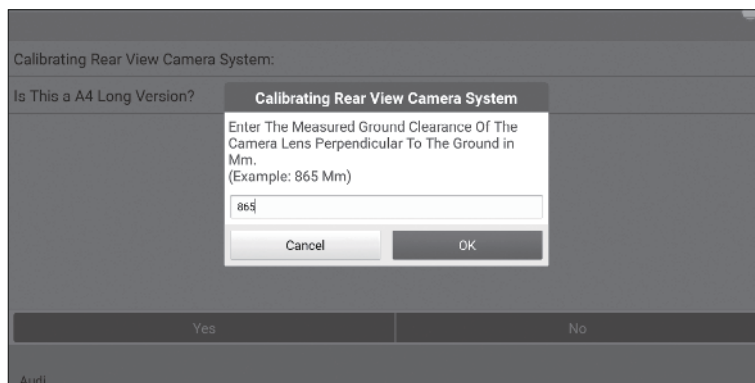
8. Input the measured distance of the calibration pattern to the rear axle in millimeter (for example: 1300mm), and tap OK to confirm.



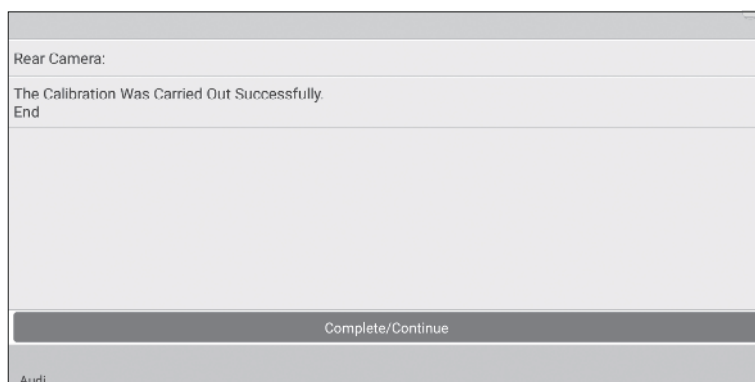
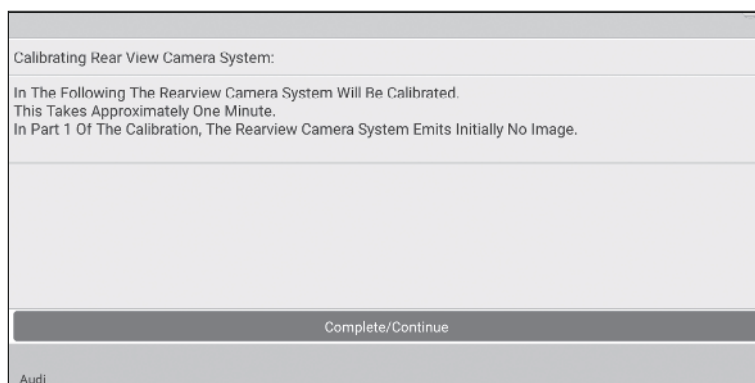
9. Double check whether it is a A4 long version or not. If yes, tap Yes.



- 10. Enter the measured ground clearance of the camera lens perpendicular to the ground in millimeter (for example: 865mm), and tap OK to confirm.



- 11. The rear view camera system starts calibrating. Follow the on-screen instructions until the calibration is successfully finished.



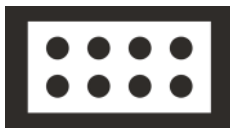
### 4 Target Pattern Kit (Optional)

Due to continuous development, more vehicle manufacturer-specific calibration panels will be individually available for the PHOENIX ADAS MOBILE, further extending its coverage.

Please check the packing list upon receiving your tool so that complaints can be issued immediately regarding potential damage or missing parts. For different destinations, the accessories may vary. Various calibration panel packages and kits are available individually or as a package to meet different workshop requirements. For details, please consult from the local dealers or check the included packing list.

#### 1.RCW&AVM TARGET KIT - ASIAN

HONDA-AVM  
(LAC04-01)



HONDA-AVM  
(LAC04-02)



NISSAN-RCW  
(LAC04-11)



HYUNDAI-AVM  
(LAC04-12-01/02)



MITSUBISHI AVM  
(LAC04-13)



NISSAN RCW  
(LAC04-15)



#### 2.RCW&AVM TARGET KIT - AMERICAN

CADILAC-AVM  
(LAC04-06)



FORD-AVM  
(LAC04-07)

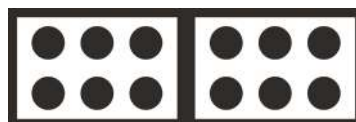


#### 3.RCW&AVM TARGET KIT - EUROPEAN

MERCEDES-RCW  
(LAC02-02)



VW-RCW  
(LAC02-03)



VW-AVM  
(LAC04-04)



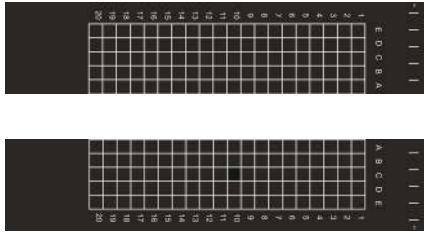
MERCEDES-RFK  
(LAC04-08-01)



MERCEDES-RFK  
(LAC04-08-02)



RENAULT-AVM  
(LAC04-10-01/02)



VW-AVM  
(LAC04-14)

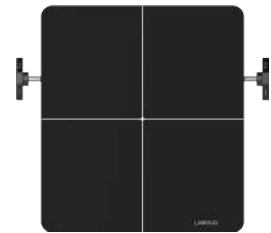


4. OTHER TARGETS

ROMEO-LDW  
(LAM01-11)



ACC REFLECTOR  
(LAM05-02)



CORNER REFLECTOR  
(LAC05-03)



DOPPLER SIMULATOR  
(LAC05-04)



## 5 Care & Maintenance

- The calibration tool, spare parts and accessories should be handled with care.
- Keep the calibration tool clean at all times.
- Do not immerse the calibration tool in water or other fluids.
- Maintain the calibration tool in dry conditions and operate within normal operating temperatures.
- Do not store the calibration tool in humid or dirty areas.
- Regularly lubricate moving parts with acid-free and resin-free grease or oil.
- Clean the ADAS calibration tool with non-aggressive cleaning agents on a regular basis.
- Use commercial household cleaning detergents and a moistened, soft cleaning cloth.
- Always use original spare parts to replace damaged accessories immediately.
- Always have the calibration tool serviced by authorized after-sales service center.

## Warranty

### TOPDON One Year Limited Warranty

TOPDON warrants to its original purchaser that TOPDON products will be free from defects in material and workmanship for 12 months from the date of purchase (Warranty Period). For the defects reported during the Warranty Period, TOPDON will, according to its technical support analysis and confirmation, either repair or replace the defective part or product.

This limited warranty is void under the following conditions:

Misused, disassembled, altered or repaired by unauthorized stores or technicians.

Careless handling and violation of operation.

Some countries, states and provinces do not allow the exclusion or limitation of incidental or consequential damages or exclusions or limitations on the duration of implied warranties or conditions, so the above limitations or exclusions may not apply to you.



# **Español**





AVISO



Estudie, entienda y siga todas las instrucciones proporcionadas con este producto. Lea estas instrucciones con atención antes de instalar, operar, dar servicio o reparar esta herramienta. Mantenga estas instrucciones en un lugar seguro y accesible.

**Cuidado: Para ayudar a evitar daños personales,**

- Para operar la herramienta de calibración PHOENIX ADAS MOBILE adecuadamente, el usuario debe tener conocimiento de tecnologías automotrices y por lo tanto estar consciente de los peligros y riesgos en la oficina de reparos y en vehículos.
- Nunca use esta herramienta para cualquier aplicación que no sea la designada.
- Nunca altere o modifique esta herramienta de ninguna manera. La operación y/o mantenimiento inadecuados de la herramienta, o su modificación podrá resultar en daños serios o muerte.
- Mantenga un extintor de incendios adecuado para gasolina/productos químicos/ fuegos eléctricos cercano.
- No utilice un cargador de batería dañado. La batería interna de Litio solo puede ser reemplazada por la fábrica. El reemplazo incorrecto o la manipulación indebida del paquete de baterías puede causar una explosión.

**Uso de la Herramienta de Calibración PHOENIX ADAS MOBILE**

Para evitar la manipulación incorrecta y daños al usuario o la destrucción de la herramienta de calibración PHOENIX ADAS MOBILE

derivado de esto, por favor ponga atención a lo siguiente:

- Solamente monte la herramienta de calibración PHOENIX ADAS MOBILE de acuerdo a las instrucciones operacionales.
- Proteja la herramienta PHOENIX ADAS MOBILE del agua e impactos fuertes.
- Proteja la herramienta PHOENIX ADAS MOBILE de largos periodos de exposición a la radiación solar.
- El fuente de luz debe asegurarse de no haber puntos de reflexión en el panel de calibración.
- En el campo de visión de la cámara, no debe haber fuente de luz directa en la cámara, de lo contrario la cámara irá reducir la exposición para que el estándar de calibración capturado se vuelva más oscuro, afectando negativamente la calibración.
- El fuente de luz debe asegurar una distribución de iluminación uniforme en el puesto de trabajo de calibración.
- Haga un chequeo y servicio regular en la herramienta de calibración PHOENIX ADAS MOBILE.
- Mantén esta herramienta seca, limpia, libre de aceite/agua o grasa. Utiliza un detergente suave en un paño limpio para limpiar su exterior, cuando sea necesario.

**Uso del Vehículo**

Cuando esté trabajando en el vehículo, por favor lea con atención la siguiente información:

- Siempre ejecute pruebas automotrices en un ambiente seguro.
- Use protección ocular de seguridad que cumpla con las normas ANSI.
- Opere el vehículo en un área de trabajo bien ventilada: Los gases de escape son venenosos.
- Ponga la transmisión en P (para A/T) o N (para M/T) y asegúrese de que el freno esté puesto.
- Ponga bloques delante de las llantas y nunca deje el vehículo desatendido durante las pruebas.
- No conecte o desconecte ningún equipo de prueba mientras la ignición esté encendida o el motor esté en marcha.
- Asegúrese de que el vehículo esté estacionado con todas las llantas sobre una superficie plana.
- Mantenga ropa, cabello, manos, herramientas, equipos de prueba, etc. lejos de todas las piezas móviles o calientes del motor.
- No intente operar u observar la herramienta mientras conduce un vehículo. Operar u observar la herramienta podrá distraer al conductor y causar un accidente fatal.
- Antes de calibrar, asegúrese de que el sistema del vehículo esté funcionando adecuadamente y que no haya códigos de problemas almacenados en las memorias ECU.
- Después de terminar una calibración, recuerde desconectar el dispositivo VCI del enchufe de diagnóstico

del vehículo.

## Uso de Equipos Láser

- La radiación láser puede causar lesiones oculares graves.
- No mire directamente al rayo láser.
- Nunca mire directamente al rayo láser porque puede dañar / destruir la retina.
- No posicione el rayo láser de manera que pueda cegar involuntariamente a usted o a otras personas.
- No opere el nivel láser cerca de niños ni permita que los niños operen el nivel láser.
- No mire a un rayo láser usando dispositivos ópticos de aumento como binoculares o un telescopio, pues esto aumentará el nivel de lesión ocular.
- No quite ni altere las etiquetas de advertencia del dispositivo láser.
- No desmonte el nivel láser, la radiación láser puede causar lesiones oculares graves.
- No opere el láser en atmósferas explosivas como líquidos, gases o polvo inflamables. Chispas de la herramienta pueden causar ignición.
- No use disolventes para limpiar la unidad láser.
- No deje caer la unidad.
- Quite las pilas si el láser / telémetro láser no se vaya a utilizar durante un largo período.
- No permita que los niños jueguen con el dispositivo láser.
- Durante la instalación de un módulo láser, fíjese de que esté conectado de forma firme y segura.
- Las gafas incluidas tienen el objetivo de mejorar la visibilidad del rayo láser. No van a proteger sus ojos contra la radiación láser.

## USO IDEAL DE LA HERRAMIENTA

La herramienta de calibración PHOENIX ADAS MOBILE está exclusivamente diseñada para uso en un vehículo. No utilice esta herramienta afuera de su propósito designado. Nunca modifique la herramienta para cualquier otro propósito o uso.

## INFORMACIÓN DEL PRODUCTO

- Como una herramienta de calibración ADAS flexible y portátil, le permite calibrar de manera efectiva y precisa una amplia gama de sistemas de asistencia a la conducción basados en cámaras.
- Sencillo de doblar/desplegar y fácil de operar.



Hecho en China  
bajo especificaciones TOPDON

# 1 Perfil de Producto

## 1.1 Sobre el ADAS

Los Sistemas Avanzados de Asistencia al Conductor (en Inglés, ADAS) son componentes electrónicos en vehículos, que incluyen una amplia gama de funciones de seguridad para vehículos, como frenado de emergencia autónomo (en Inglés, AEB), advertencia de cambio de carril (en Inglés, LDW), asistencia de mantenimiento de carril, eliminación de puntos ciegos, cámaras de visión nocturna e iluminación adaptativa. La mayoría de los accidentes de carretera ocurren por errores humanos. Sistemas Avanzados de Asistencia al Conductor están desarrollados para automatizar, adaptar y mejorar los sistemas del vehículo para seguridad y mejor conducción. Ha sido probado que el sistema automatizado proveído por ADAS al vehículo reduce las muertes en la carretera, al ofrecer tecnologías que alertan al conductor sobre posibles problemas o al implementar medidas de seguridad y de toma de control sobre el vehículo. Inicialmente solo encontrado en vehículos premium, la cantidad de vehículos compactos y de clase media modernos equipados con Sistemas Avanzados de Asistencia al Conductor está creciendo a una tasa rápida.

Las cámaras y los sensores utilizados por estos sistemas deben ser calibradas y ajustadas con precisión.

Una calibración incorrecta resultante de la sustitución del parabrisas o la alineación de llantas puede hacer que el sistema entregue resultados incorrectos o incluso que falle por completo, lo que puede provocar un accidente grave o incluso una fatalidad.

## 1.2 Sobre el PHOENIX ADAS MOBILE

### 1.2.1 Presentación de Producto

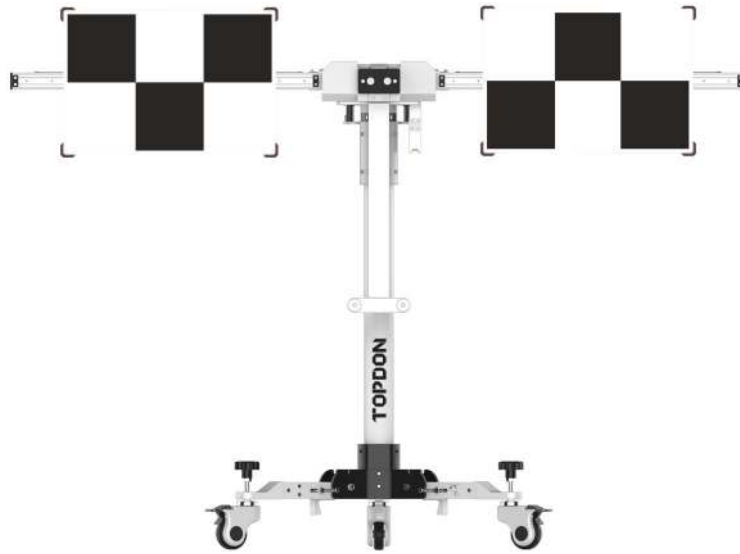
Como una herramienta de calibración ADAS flexible y portátil, el PHOENIX ADAS MOBILE le permite calibrar con eficacia y precisión una amplia gama de sistemas de asistencia a la conducción basados en cámaras, por ejemplo la cámara frontal para el sistema de advertencia de cambio de carril. Las tiendas de reparación y servicio no requieren una estación de alineación de llantas completamente equipada o un piso de taller nivelado o una plataforma elevadora para poder trabajar con la herramienta de calibración PHOENIX ADAS MOBILE.

La herramienta presenta las siguientes funciones y ventajas clave:

- Es conveniente para cargar diseñada con una base plegable y barras transversales, soportando calibración al aire libre.
- Instrumento láser en cruz & cinco líneas disponible para centralización precisa.
- Sencillo de doblar/desplegar y fácil de operar.
- Balancín manual para libre regulación de la altura.
- Soporte de almacenamiento dedicado para almacenar placas de metas pequeñas y placas de patrones grandes.
- Cobertura de una amplia gama de fabricantes de automóviles.
- Excelente experiencia de usuario para proporcionar instrucciones detalladas paso a paso específicas de cada vehículo ilustraciones.

Para realizar la calibración ADAS, son necesarios los siguientes dos componentes:

- Herramienta de Calibración PHOENIX ADAS MOBILE – Diseñada para calibrar la posición del sensor y del objetivo del vehículo. Consiste en un marco de calibración (con un miembro transversal), dispositivo láser de cinco líneas, módulo de láser cruzado, reflector láser, espejo auxiliar, soporte de posicionamiento en forma de L, martillo guía y panel de calibración (disponible en paquetes o individualmente), etc.



- Herramienta de Diagnóstico (vendida separadamente) – La herramienta de calibración se opera exclusivamente junto con una herramienta de diagnóstico específica. Herramientas de diagnóstico de otros fabricantes no serán soportadas.

**1.2.2 Lista de Empaque**

Por favor verifique la lista de empaque al recibir su herramienta para que las posibles quejas se puedan emitir de inmediato con respecto a posibles daños o piezas faltantes. Para destinos diferentes, los accesorios pueden variar. Para detalles, por favor consulte los vendedores locales o verifique la lista de empaque incluida.


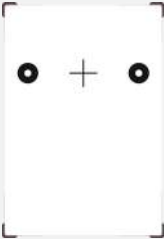














Durante la descarga, por favor note: La pesada herramienta se puede caer y causar lesiones, recuerde siempre descargar la herramienta con la ayuda de una segunda persona o la ayuda adecuada según sea necesario.

Artículos	Foto	Cantidad
Marco de calibración		1
Dispositivo láser de cinco líneas (LAM09-01)		1
Módulo de láser cruzado (LAM09-02)		1
Reflector láser (LAM09-03)		1
Espejo auxiliar (LAM09-04)		1
Soporte de posicionamiento en forma de L (LAM09-05)		1










<p>Línea de plomada (LAM09-06)</p>		<p>1</p>
<p>Soporte de almacenamiento de destino (LAM09-07)</p>		<p>1</p>
<p>Barra de extensión de destino para Toyota (LAM09-08)</p>		<p>1</p>
<p>Barra de extensión de destino para Honda (LAM09-09)</p>		<p>1</p>
<p>Buscador de alcance de láser</p>		<p>1</p>
<p>Etiqueta de cruz</p>		<p>1</p>




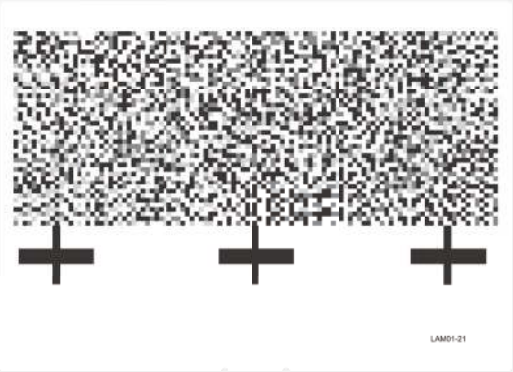
<p>Tarjeta de Activación ADAS</p>		<p>1</p>
<p>Manual de Usuario</p>		<p>1</p>
<p>Meta de calibración / placas de patrones</p>	<p>(Disponible en diferentes paquetes de configuración de producto. Placas de metas y patrones para Sistema de Advertencia de Cambio de Carril incluidos en esta herramienta. Otros tableros y patrones para otros sistemas ADAS necesitan ser comprados separadamente. Para paquetes detallados, refiérase al Capítulo Kit de Patrón de Objetivo.)</p>	
<p>LAM01-01 Benz-LDW</p>		<p>1</p>
<p>LAM01-02 VW-LDW</p>		<p>1</p>
<p>LAM01-04-L Honda-LDW</p>		<p>1</p>
<p>LAM01-04-R Honda-LDW</p>		<p>1</p>
<p>LAM01-06-1 Toyota-LDW</p>		<p>1</p>

<p>LAM01-06-2 Toyota-LDW</p>		<p>1</p>
<p>LAM01-06-3 Toyota-LDW</p>		<p>1</p>
<p>LAM01-07-L Nissan-LDW</p>		<p>1</p>
<p>LAM01-07-R Nissan-LDW</p>		<p>1</p>
<p>LAM01-09 Hyundai/Kia-LDW</p>		<p>1</p>
<p>LAM01-10 Mazda-LDW</p>		<p>1</p>
<p>LAM01-12-L Nissan/Renault-LDW</p>		<p>1</p>
<p>LAM01-12-R Nissan/Renault-LDW</p>		<p>1</p>



<p>LAC01-13 Hyundai-LDW</p>		<p>1</p>
<p>LAM01-15 Subaru-LDW</p>		<p>1</p>
<p>LAM01-16-L Mazda-LDW</p>		<p>1</p>
<p>LAM01-16-R Mazda-LDW</p>		<p>1</p>
<p>LAM01-17 Honda-LDW</p>		<p>1</p>
<p>LAM01-18-L Suzuki-LDW</p>		<p>1</p>
<p>LAM01-18-R Suzuki-LDW</p>		<p>1</p>



<p>LAM01-19-L Mitsubishi-LDW</p>		<p>1</p>
<p>LAM01-19-R Mitsubishi-LDW</p>		<p>1</p>
<p>LAM01-20 Honda-LDW</p>		<p>1</p>
<p>LAM01-21 Subaru-LDW</p>		<p>1</p>



## 1.3 Componentes & Controles

La herramienta de calibración PHOENIX ADAS MOBILE incluye principalmente los siguientes artículos y componentes:

### 1.3.1 Marco de calibración

El marco de calibración consiste de los siguientes componentes:

#### A - Barra transversal derecha

Cargada con una regla de escala, una placa de posicionamiento para asegurar las placas de metas.

#### B - Soporte de posicionamiento para placas de patrones

Cargado con un medidor de nivel, dos mosquetones de seguridad para bloquear las barras transversales y un soporte fijo para el módulo láser cruzado.

#### C - Levantador

#### D - Caja de cambios y manivela

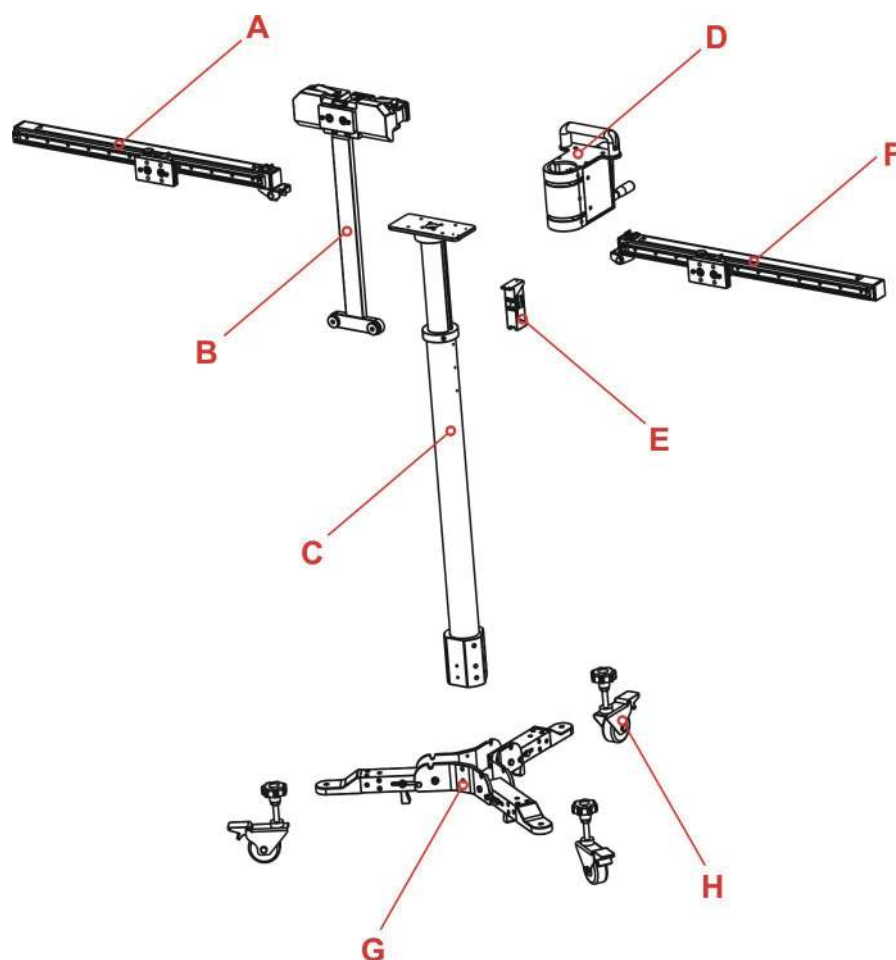
Para ajustar la altura del levantador.

#### E - Buscador de alcance láser

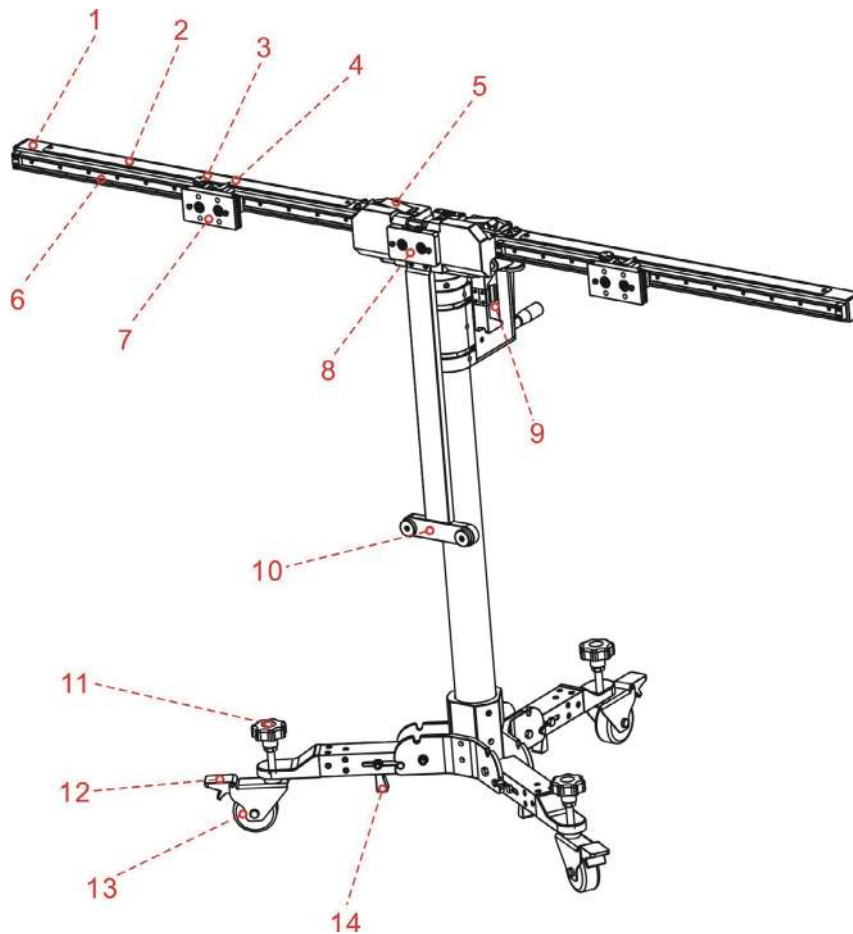
#### F - Barra transversal izquierda (igual que la barra transversal Derecha)

#### G - Soporte de base

#### H - Ruedas giratorias universales



Visión Frontal



1. Barra transversal derecha

2. Regla de escala\*

3. Tornillo de ajuste\*

Para asegurar la placa de posicionamiento.

Cuando es liberada, la placa de posicionamiento (7) puede ser movida libremente a través del carril deslizante.



Al desplegar la barra transversal derecha/izquierda, apriete el tornillo de ajuste para evitar que la placa de posicionamiento (7) se deslice, para así evitar lesiones.

4. Indicador de escala\*

5. Mosquetón de seguridad\*

Traba / destraba la barra transversal. Cuando destrabada, la barra transversal puede ser doblada para cargarse más fácilmente.

6. Carril deslizante para placa de posicionamiento\*

7. Placa de posicionamiento\*

Para asegurar las placas de metas / barra de extensión de placa de metas.

Hay dos GRANDES huecos y dos PEQUEÑOS huecos disponibles en la placa de posicionamiento.

Antes del envío, cada orificio GRANDE está preinstalado con un imán para atar la placa de metal en la tabla de metas y cada orificio PEQUEÑO está preestablecido con un clavo colgante para que la tabla de metas o la barra de extensión de placa de metas estén seguros. Cuando esté instalando la tabla de

metas o la barra de extensión, alinee los orificios de montaje con los dos orificios pequeños y fíjelo a los clavos colgantes.

**8. Placa de posicionamiento / Placa de fijación láser magnética**

Para asegurar las placas de patrones / fijar el módulo de láser cruzado. Cuando se esté instalando la placa de patrones grande, ella deberá ser levantada para asegurar una instalación adecuada.

**9. Buscador de alcance de láser**

Para mensurar la altura desde el centro de la placa de patrones hasta el piso.



Una tolerancia derecha es ajustada para la calibración de altura de cada vehículo en la herramienta de diagnóstico. Mantenga el valor exhibido en la pantalla igual que el valor exhibido en la herramienta de diagnóstico cuando esté ejecutando la calibración.

**10. Sostenedor de la placa de patrones**

Soporta la parte inferior de la placa de patrones.

**11. Tornillo de ajuste**

Gírelo hasta que las burbujas del medidor de nivel (16) en el marco de calibración estén centralizadas.

**12. Mecanismo de estacionamiento seguro**

Bájelo para bloquear la llanta giratoria (13) y evitar que se mueva.

**13. Rueda giratoria universal**

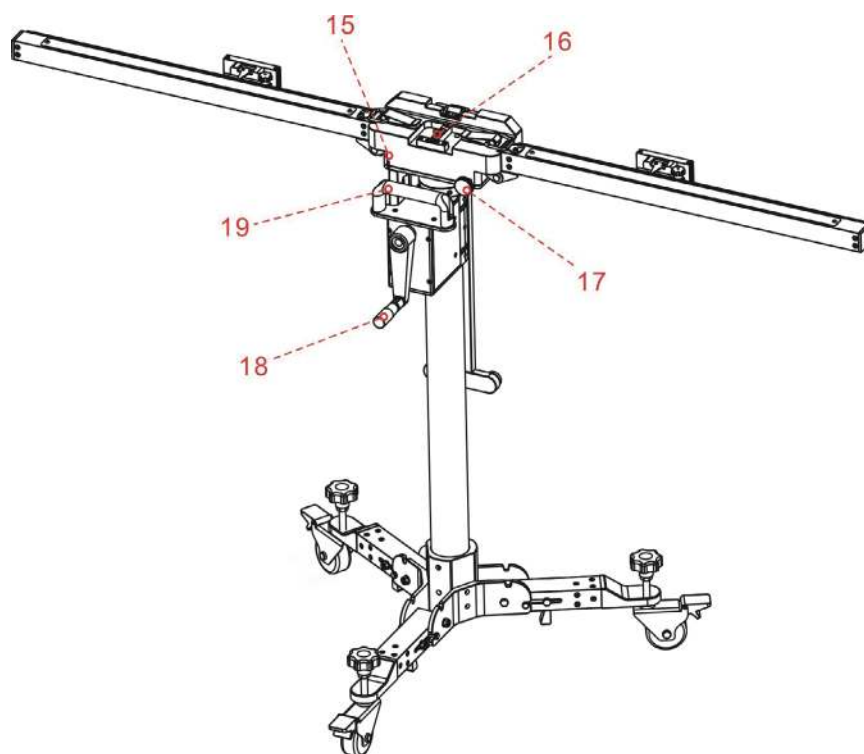
**14. Palanca de empuja-puja**

Controla el plegar/desplegar del soporte de base.



Todos los artículos señalados con \* son iguales que aquellos en la barra transversal izquierda.

**Visión Trasera**



**15. Líneas demarcadas rojas**

La línea superior debe estar alineada con la línea inferior cuando el marco de calibración esté completamente doblado. Si estas líneas no estén alineadas, gire el perno de ajuste (17) para ajustarlo.

**16. Medidor de nivel**

Para chequear si el marco de calibración está parado en una superficie plana.

**17. Perno de ajuste**

Gire el perno para girar la barra transversal axialmente.

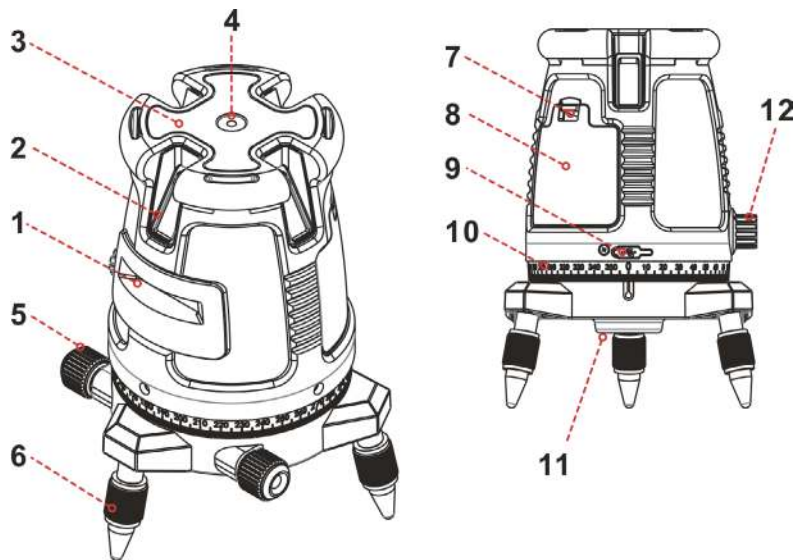
**18. Manivela**

Para ajustar la altura del levantador.

**19. Manija**

**1.3.2 Dispositivo láser de cinco líneas (LAM09-01)**

El dispositivo láser de cinco líneas es usado para apuntar los rayos láser en cinco direcciones para posicionar el marco de calibración y vehículo.



1. Ventana de salida de láser horizontal

2. Ventana de salida de láser vertical

3. Teclado\*

4. Nivel de superficie

5. Perilla de ajuste

6. Piernas de soporte ajustables

7. Tapa de la batería

8. Compartimiento de la batería

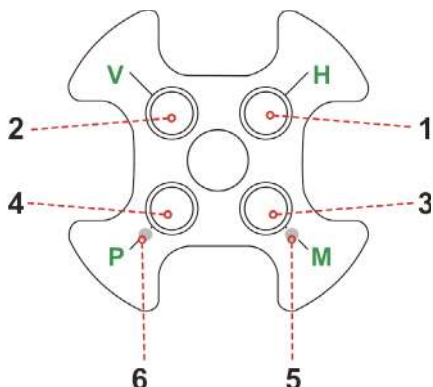
9. Puerta de recarga

10. Balanza graduada

11. 5/8" Adaptador roscado trípode

12. Cerradura de seguridad de péndulo

\*Teclado

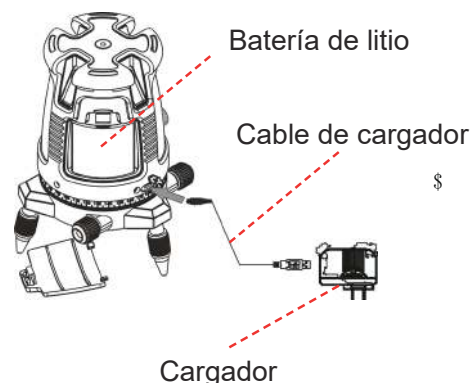


1. Botón de línea horizontal
2. Botón de líneas verticales
3. Botón de modo manual
4. Botón de modo pulso
5. Indicador LED rojo de modo manual
6. Indicador LED verde de modo pulso

Esta herramienta puede ser operada tanto con un paquete de baterías litio-ion, o 4 pilas alcalinas AA.

**Instalación del paquete de baterías de litio-ion**

1. Presione hacia abajo el pestillo de la tapa y saque la tapa de la batería.
2. Inserte la batería de litio-ion con el terminal de contacto hacia los 2 pins pequeños en el compartimiento de la batería.
3. Cierre nuevamente la tapa de la batería.
4. Use un cargador estándar 5 V ± 5% (1A-2A), con micro conector USB para recargar el paquete de baterías Litio-Polímero.
5. El paquete de baterías recargables puede ser recargado afuera o adentro del compartimiento de batería del láser.
6. Recargue el paquete de baterías por lo menos 2 horas antes de usar la herramienta de láser por primera vez.

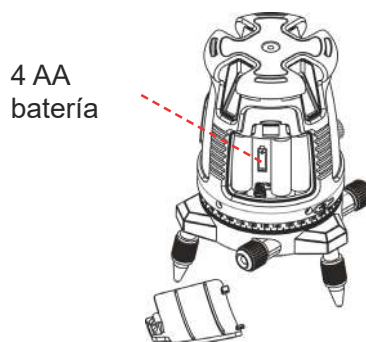


 **Aviso:**

- No utilice un cargador de batería dañado.
- La batería interna de Litio solo puede ser reemplazada por la fábrica. El reemplazo incorrecto o la manipulación indebida del paquete de baterías puede causar explosiones.

**Instalación de las 4 Baterías AA**

1. Presione hacia abajo el pestillo de la tapa y saque la tapa de la batería.
2. Inserte 4 nuevas baterías AA de la misma marca, de acuerdo al diagrama de polaridad indicado dentro del compartimiento de batería.
3. Cierre nuevamente la tapa de la batería.





**Aviso:**

Las baterías pueden deteriorarse, tener fugas o explotar, y pueden causar lesiones o incendios.

1. No acorte los terminales de las baterías.
2. No recargue baterías Alcalinas.
3. No mezcle baterías nuevas y viejas.
4. No eche baterías a la basura doméstica.
5. No pongas baterías en el fuego.
6. Baterías con defecto o muertas deben ser desechadas de acuerdo con las regulaciones locales.
7. Mantenga las baterías lejos del alcance de los niños.



Si el nivel láser no va a ser utilizado durante un período prolongado, retire las baterías del compartimento. Esto va a evitar fugas y daño de corrosión a las baterías.

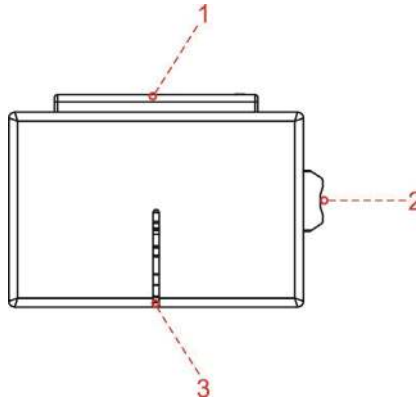
**Parámetros técnicos:**

Patrón de salida de rayos láser	<ul style="list-style-type: none"> <li>• Rayos transversales horizontales y verticales hacia adelante</li> <li>• Rayos verticales horizontales, hacia delante y hacia atrás</li> <li>• Rayos horizontales y 4 verticales ortogonales Aparece un punto de plomada hacia abajo mientras el rayo vertical está ENCENDIDO</li> <li>• Rayo horizontal</li> </ul>
Alcance de láser	<ul style="list-style-type: none"> <li>• Ambiente interior - 30 m (100 pies)</li> <li>• Ambiente exterior con detector 60m (200 pies)</li> </ul>
Precisión Precisión (Punto de plomada)	<p>±0.2mm/m (±0.0002in/in) ±1mm/1.2m</p>
Ángulo del ventilador	120°±5°
Alcance auto-nivelador	±2.5°
Ancho de línea láser	2 mm±0.5mm/5m (0.10" ±0.02" en 20' )
Longitud de onda	520 ±10nm - Clase de Láser II
Fuente de energía	Paquete de baterías Litio-Polímero o 4 pilas Alcalinas AA (no incluidas)
Vida de la batería	2.5 horas de operación continua con Litio-Polímero 5 horas con 4 pilas Alcalinas AA
Temperatura de operación	-10° C ~ +45° C (14°F ~ +113°F)
Temperatura de almacenamiento	-20° C ~ +60° C ( -4°F ~ +140°F)
A prueba de agua & polvo	IP54
Dimensiones	ø150mmx195mm (ø 6" x8")
Peso sin baterías	1250gr ±10gr (2.75lbs± 0.35±oz )



**1.3.3 Módulo láser cruzado (LAM09-02)**

Mientras se esté ajustando el marco de calibración en paralelo con el vehículo, el módulo láser puede ser usado. En general, debe atraerse a la placa fija del láser magnético (8) del marco de calibración.



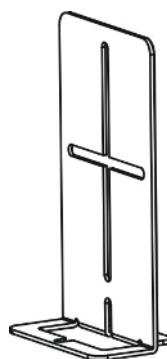
- 1. Tapa de la batería
- 2. Interruptor
- 3. Brecha del láser

Instalación de las 2 Baterías AAA

- 1. Abrir tapa de la batería.
- 2. Inserte 2 nuevas baterías AAA de la misma marca, de acuerdo al diagrama de polaridad indicado dentro del compartimiento de batería.
- 3. Cierre nuevamente la tapa de la batería.

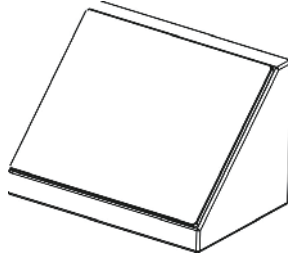
**1.3.4 Reflector láser (LAM09-03)**

El reflector láser es usado para posicionar la línea central al confirmar que los puntos centrales delantero y trasero del vehículo están en la misma línea.



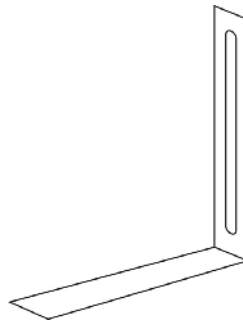
### 1.3.5 Espejo láser auxiliar (LAM09-04)

El espejo láser auxiliar es usado para posicionar la línea central al asegurar que los puntos centrales delantero y trasero del vehículo estén en la misma línea.



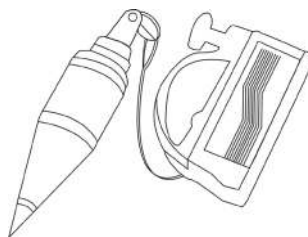
### 1.3.6 Soporte de posicionamiento en forma de L (LAM09-05)

El soporte de posicionamiento en forma de L ayuda a ubicar el centro de las llantas delanteras para posicionar correctamente el marco de calibración.



### 1.3.7 Línea de plomada (LAM09-06)

La línea de plomada se utiliza para posicionar los puntos centrales delantero y trasero del vehículo, lo que ayuda a posicionar correctamente el dispositivo láser de cinco líneas y el reflector láser.



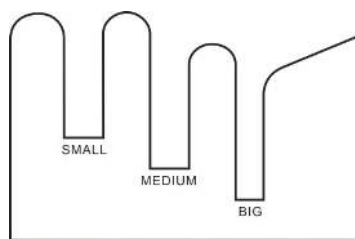
### 1.3.8 Soporte de almacenamiento de placa de metas (LAM09-07)

El soporte de almacenamiento está diseñado para almacenar tablas de metas pequeñas y tablas de patrones más grandes mientras no se estén usando.



Está compuesto de dos soportes de almacenamiento y dos cojinetes conectados. Antes de utilizarlo, asegúrese de abrochar los cojinetes conectados entre las cestas de almacenamiento.

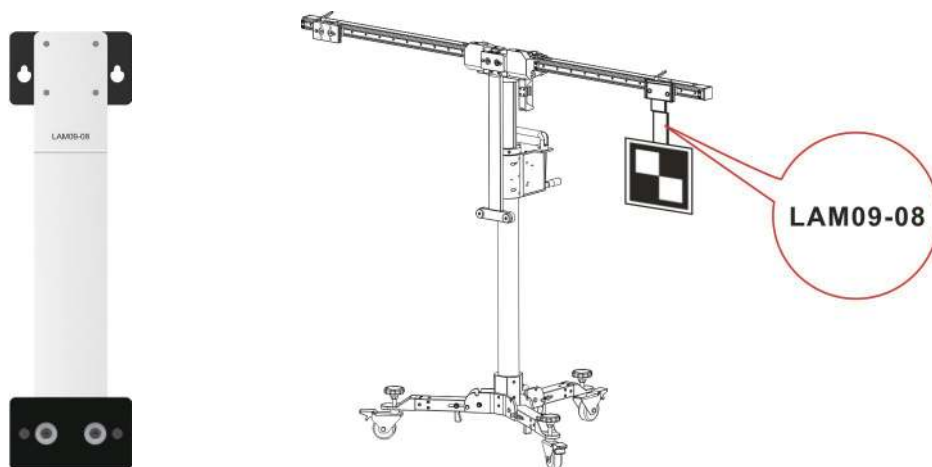
Para hacer el mejor uso posible del soporte de almacenamiento, se sugiere colocar la tabla de metas usada con frecuencia en la posición derecha de acuerdo a las marcas indicadas en la lateral del soporte. Otras tablas de metas que no sean usadas frecuentemente pueden ser almacenadas en la caja de herramientas de aluminio.



**1.3.9 Barra de extensión de metas para Toyota (LAM09-08)**

En general el ancho del marco de calibración está especialmente diseñado para cumplir con los requisitos de calibración de la mayoría de los vehículos, pero para algunos vehículos con una distancia de calibración más baja, se requiere la barra de extensión de metas.

La barra de extensión de metas es usada para calibración del sistema LDW en algunos vehículos Toyota. Necesita estar fijada en la placa de posicionamiento (7) y luego la tabla de metas se adhiere a ella.



**1.3.10 Barra de extensión de metas para Honda (LAM09-09)**

En general el ancho del marco de calibración está especialmente diseñado para cumplir con los requisitos de calibración de la mayoría de los vehículos, pero para algunos vehículos con una distancia de calibración más amplia, se requiere la barra de extensión de metas.

La barra de extensión de metas es usada para calibración del sistema LDW en algunos vehículos Honda. Necesita estar fijada en la placa de posicionamiento (7) y luego la tabla de metas se adhiere a ella.



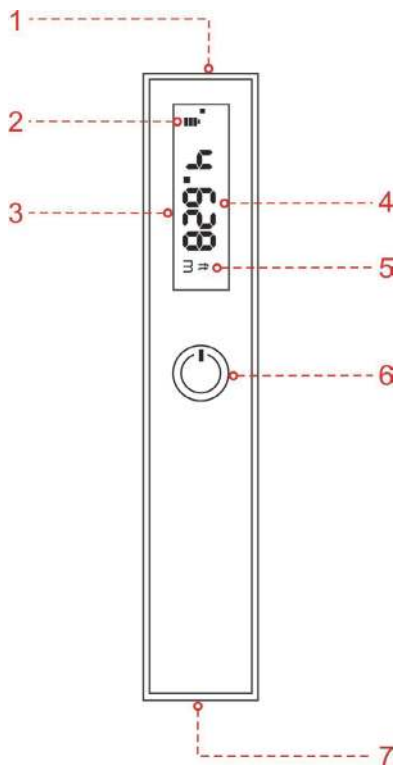
**1.3.11 Buscador de alcance de láser**

El buscador de alcance de láser es usado para medir la altura desde la placa de metas / patrones hasta el piso.

Dado que el buscados de alcance de láser no está en el mismo nivel que la placa de metas/patrones, se pre-establece un valor de tolerancia preciso en el software de calibración ADAS para todos los vehículos y los usuarios no necesitan hacer otras configuraciones ni cálculos. Cuando esté midiendo la altura, simplemente siga los valores de altura exhibidos en la pantalla para ejecutar la calibración.



Es un producto láser Clase 2 de acuerdo a la IEC 60825-1:2014. El producto y las baterías no deben ser desechados en basureros domésticos.



1. Láser




Aviso: No mire directamente el rayo láser o lo apunte hacia otras personas.

2. Indicador de poder de batería

3. Pantalla de visualización

4. Resultado medido

5. Unidad de medida

Para cambiar entre las unidades de medida, haga triple clic en el  botón POWER.

6.  botón POWER

Mantener presionado - prender / apagar el medidor.

Presionar una vez - Iniciar / pausar medición.

7. Compartimiento de la batería

Parámetros técnicos:

Alcance	0.1 ~ 25m (0.33~82 pies)
Precisión	± 1/152 pies
Clase de láser	2
Tipo de láser	635-650nm, poder < 1mW
Batería	2 pilas AAA o batería de Litio
Dimensiones	4 x 1.4 x 0.7 pulgadas (100 x 35 x 18mm)
Temperatura de Operación	14°F ~ 104°F / -10°C ~ 40°C

## 2 Uso Inicial

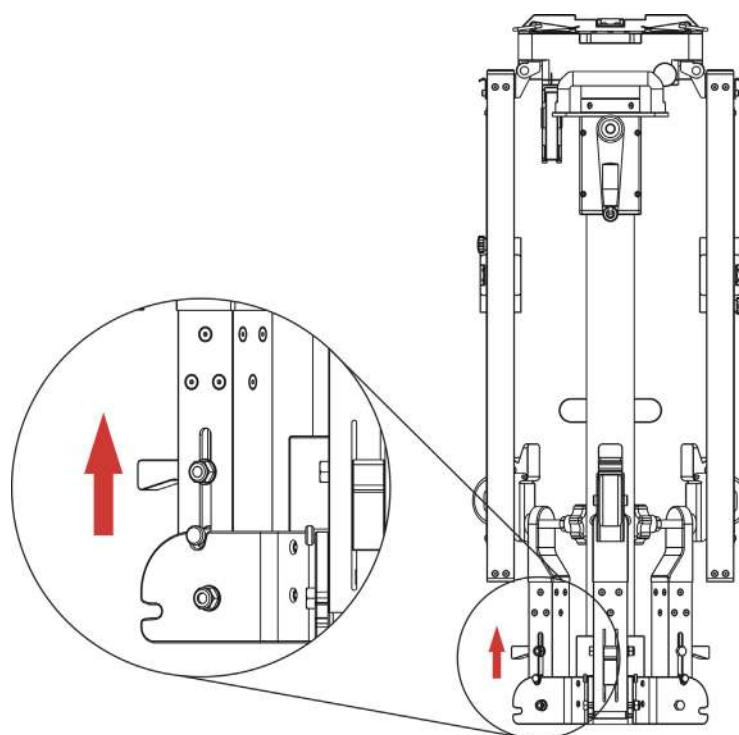
### 2.1 Posicione el marco de calibración

Por defecto, está doblado para envío más fácil. Siga los pasos abajo para desplegarlo.

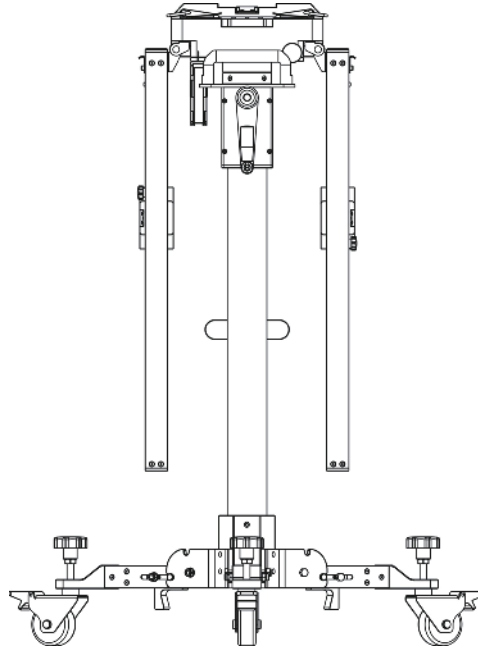


La pesada herramienta puede inclinarse hacia abajo y causar lesiones, recuerde siempre desplegar la herramienta con la ayuda de una segunda persona.

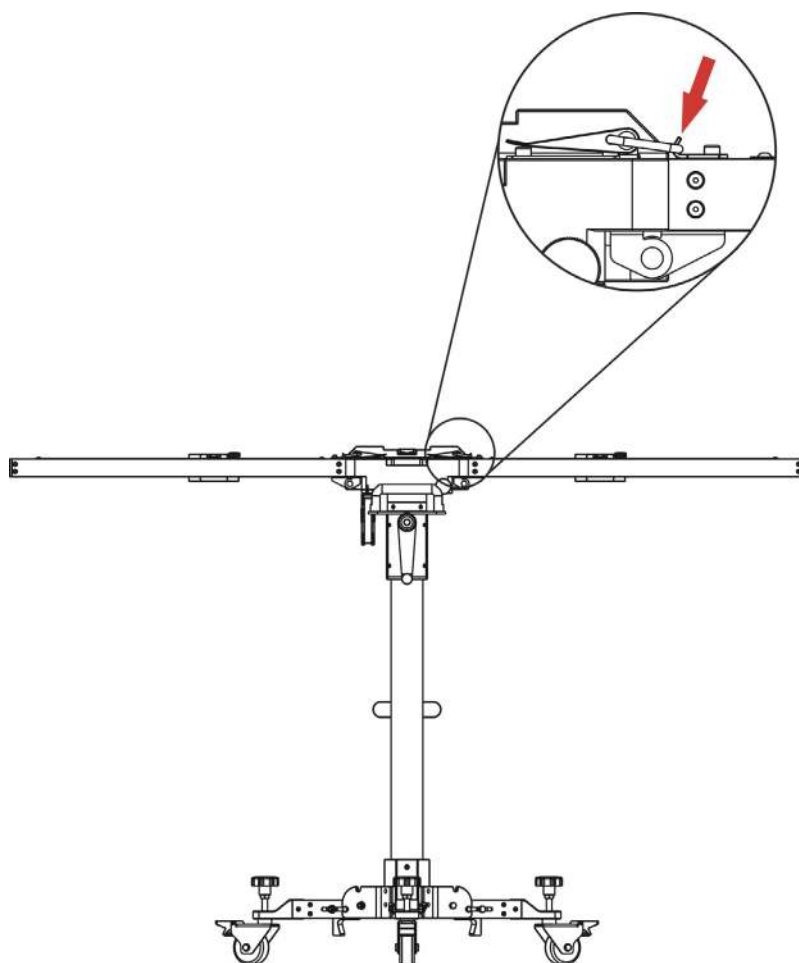
1. Saque el marco de calibración y póngalo en un terreno plano.
2. Empuje la palanca (14) hacia arriba como indicado en la siguiente imagen, y luego jale la llanta giratoria (13) hacia el suelo.



3. Repita el paso 2 para las otras dos llantas giratorias.
4. Sostenga la manija (19) y saque el levantador ligeramente del suelo, estas llantas giratorias se desplegarán completamente y se asentarán firmemente en el suelo automáticamente. Entonces baje el levantador.



5. Jale la barra transversal derecha (1) hacia arriba hasta que encaje completamente en el soporte de posicionamiento (B), luego use el gancho de seguridad (5) para fijarla.



Cuidado para no pellizcarse las manos al realizar este paso.

6. Repita el paso 5 para desplegar la barra transversal izquierda.

## 2.2 Activar la función ADAS

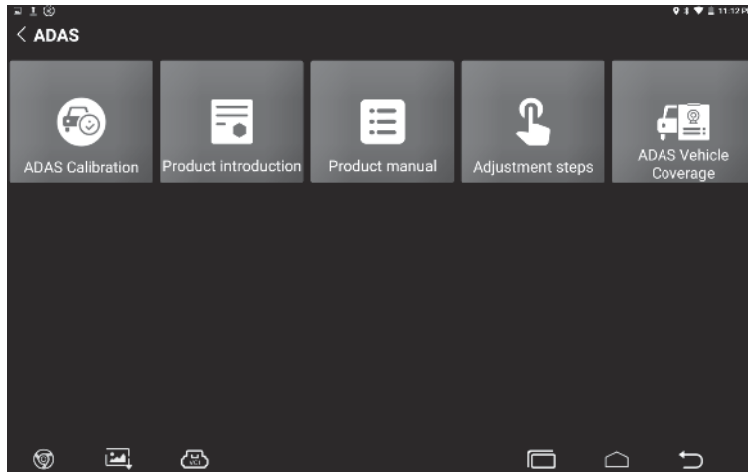
Por defecto, la función de calibración del software de diagnóstico pre-instalado está desactivada. Para asegurar una utilización normal de la función de calibración del software de diagnóstico, es necesario activar la tarjeta pin para destrabar la función de calibración en la herramienta de diagnóstico (vendida separadamente) primero.

Siga los pasos abajo para activarlo.



Diferentes herramientas de diagnóstico poseen diferentes accesos a la función ADAS. Para detalles, por favor consulte el manual de usuario del escáner individual.

1. Presione el botón [POWER] en la herramienta de diagnóstico para prenderla.
2. Vaya a "Caja de Herramientas" -> "ADAS" para acceder la siguiente pantalla:



La imagen es solo para la referencia, el producto diferente es diferente.

3. Toque en Calibración ADAS para acceder la pantalla de activación de ADAS.

A screenshot of a mobile application activation screen. It contains the following elements from top to bottom: a grey header bar with the text "Please choose the device serial number to activate the ADAS software:"; a white dropdown menu with a downward arrow; a grey header bar with the text "Please enter the ADAS Activation Card password:"; a white text input field labeled "Activation Code"; and a wide grey button with the text "ACTIVATE" centered on it.

4. Raspe el área designada en la Tarjeta de Activación incluida para revelar la contraseña, e ingrese la contraseña de 24 dígitos para activarla.

5. Ahora la función ADAS se vuelve accesible y está lista para el uso.



## 2.3 Operaciones de Calibración General para Sistema LDW

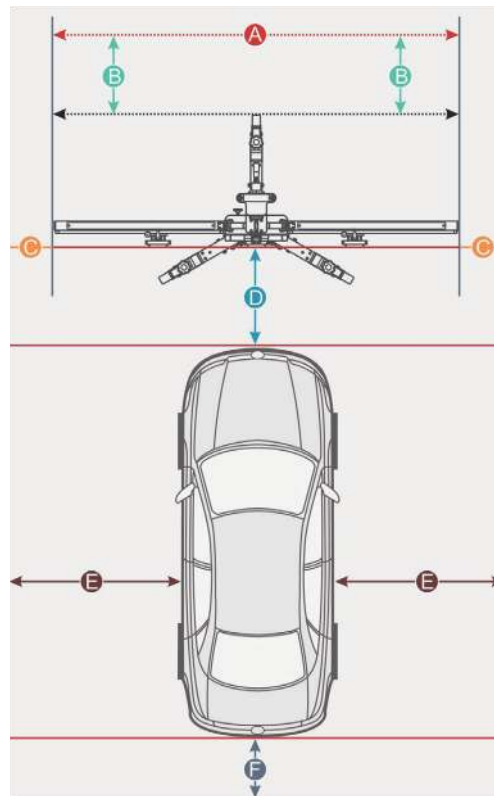
### 2.3.1 Requisito previo para el Uso del PHOENIX ADAS MOBILE

Tenga en cuenta lo siguiente para usar el PHOENIX ADAS MOBILE:

- Sistema del vehículo funcionando adecuadamente.
- No hay códigos de problemas almacenados en las memorias ECU.
- Preparar un patrón de referencia de calibración específico del vehículo
- Es necesaria una herramienta de diagnóstico compatible con el sistema ADAS de calibración (vendida separadamente).
- Ejes delantero y trasero están correctamente ajustados.
- Para calibrar con precisión, asegúrese de que se cumplan los siguientes requisitos de la estación de trabajo (Vea Capítulo 2.4.1.1 ~ Capítulo 2.4.1.3).

#### 2.3.1.1 Tamaño de puesto de Trabajo

A. Para cámaras frontales



Distancia A = el ancho del miembro transversal

Distancia B = alrededor de 1 m / 39.4 pulgadas (desde el miembro transversal hasta la pared)

Distancia C = por lo menos 0.5m / 19.7 pulgadas (desde el borde del miembro transversal hasta otros obstáculos)

Distancia D = cambia de vehículo a vehículo, alrededor de 1.5m / 59 pulgadas es fuertemente recomendado (desde el panel de calibración hasta el vehículo)

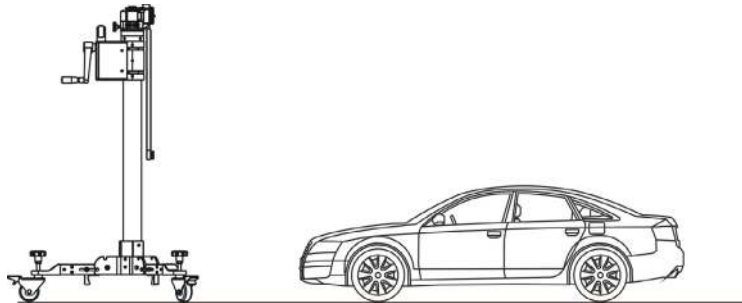
Distancia E = reservada para alrededor de 1m / 39.4 pulgadas (del vehículo a otros obstáculos)

Distancia F = por lo menos 0.5m / 19.7 pulgadas (una vía por donde el técnico pueda caminar)

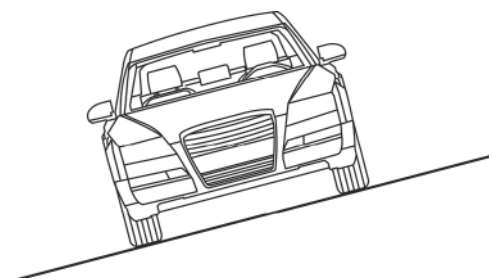
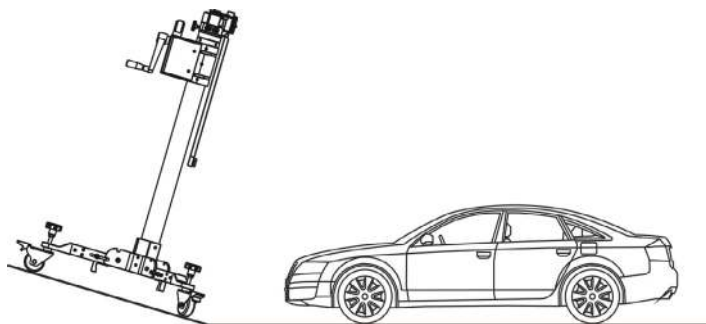
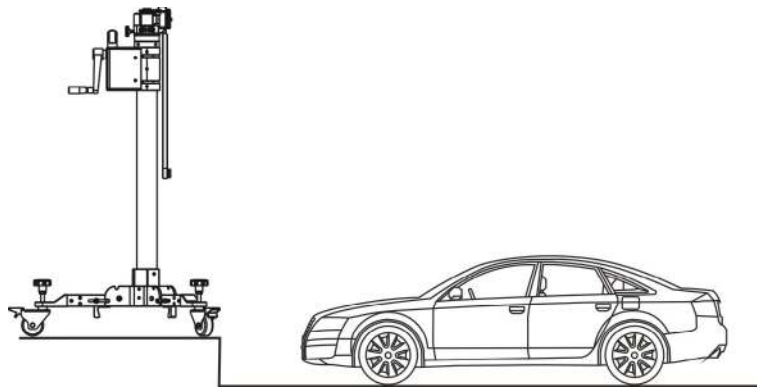
2.3.1.2 Piso de puesto de Trabajo

Asegúrese de que el vehículo esté estacionado con todas las llantas sobre una superficie plana.

Correcto:



Equivocado:



### 2.3.1.3 Iluminación del puesto de trabajo

- El sistema de iluminación alrededor de la estación de trabajo de calibración debe ser una fuente de flash sin frecuencia, que incluye, entre otros: Fuente de luz LED, iluminación industrial de acuerdo con estándares internacionales, fuente doble de luz en fase opuesta.
- En el campo de visión de la cámara, no debe haber fuente de luz directa en la cámara, de lo contrario la cámara va a reducir la exposición para que el patrón de calibración capturado se vuelva más oscuro, afectando negativamente la calibración.
- El fuente de luz debe asegurarse de no haber puntos de reflexión en el panel de calibración.
- El fuente de luz debe asegurar una distribución de iluminación uniforme en el puesto de trabajo de calibración.
- El brillo de la luz no debe ser cambiado, y asegúrese de que no haya otra fuente de luz cambiante cerca de la estación de trabajo, como un vehículo en marcha con las luces ENCENDIDAS, etc.

### 2.3.2 Operación de Calibración

La operación de calibración debe ser ejecutada siguiendo estrictamente las instrucciones de la pantalla en la herramienta de diagnóstico. Para algunos modelos de vehículos, el patrón de calibración y herramienta de calibración no son obligatorios. Pero para algunos ADAS basados en cámaras, la calibración no puede ser hecha sin la ayuda de la herramienta de calibración y el patrón de calibración. En este caso, para el posicionamiento de la herramienta de calibración y vehículo, es necesario que el usuario lo termine manualmente.

Los siguientes pasos son necesarios cuando se esté trabajando con el PHOENIX ADAS MOBILE:

1. Determine la línea central del vehículo.
2. Determine el lugar de colocación del PHOENIX ADAS MOBILE.
3. Coloque el PHOENIX ADAS MOBILE
4. Ajuste PHOENIX ADAS MOBILE en paralelo con el vehículo.
5. Seleccione e instale la tabla de metas/patrones en el PHOENIX ADAS MOBILE.
6. Ajuste la altura de la tabla de metas/patrones.

Accesorios requeridos:

- Dispositivo láser de cinco líneas LAM09-01
- Módulo láser cruzado LAM09-02
- Reflector láser LAM09-03
- Espejo auxiliar LAM09-04
- Soporte de posicionamiento en forma de L LAM09-05
- Línea de plomada LAM09-06

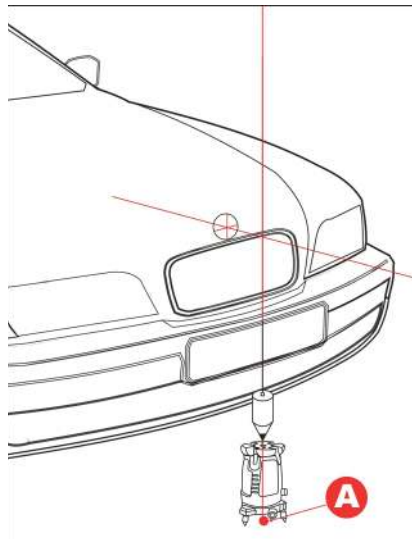
#### 2.3.2.1 Determine la línea central del vehículo

1. Suspenda una línea de plomada LAM09-06 contra el centro del emblema delantero del vehículo y déjela bajarse naturalmente hasta el piso. Marque el punto central frontal del vehículo (Punto A) en el piso directamente debajo de la plomada.



Mueva suavemente la cuerda con los dedos varias veces para confirmar que la cuerda esté perpendicular al suelo.

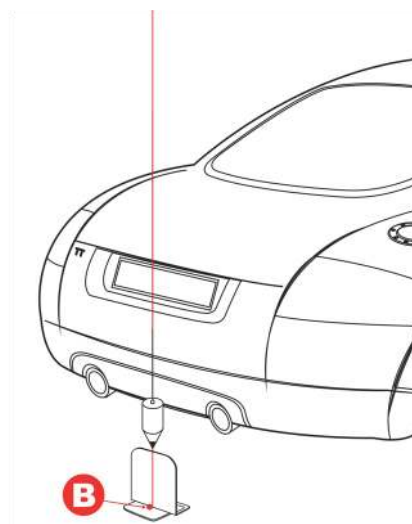
---



2. Posicione el instrumento láser de cinco líneas LAM09-01 en el punto A (con el lado del logotipo opuesto a la dirección de conducción) para asegurarse de que el punto rojo en la caja se alinee con el punto A.
3. Suspenda la línea de plomada LAM09-06 contra el centro de la trasera del vehículo y déjela caer naturalmente al piso. Marque el punto central frontal del vehículo (Punto B) en el piso directamente debajo de la plomada.



Mueva suavemente la cuerda con los dedos varias veces para confirmar que la cuerda esté perpendicular al suelo.

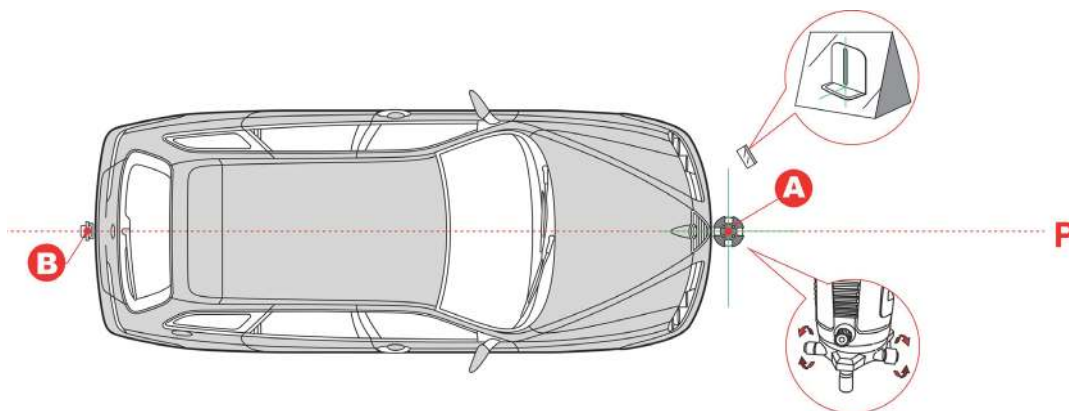


4. Posicione el reflector láser LAM09-03 paralelo al vehículo y asegúrese de que la raya reflexiva esté alineada con el punto B.
5. Posicione el espejo auxiliar LAM09-04 delante del vehículo.
6. Asegúrese de que el instrumento láser de cinco líneas LAM09-01 esté nivelado, prenda los rayos láser en el instrumento láser de cinco líneas LAM09-01.



Si el chasis del vehículo es demasiado bajo, el instrumento láser de cinco líneas LAM09-01 no puede ser colocado debajo de él, simplemente aléjelo un poco del emblema del vehículo.

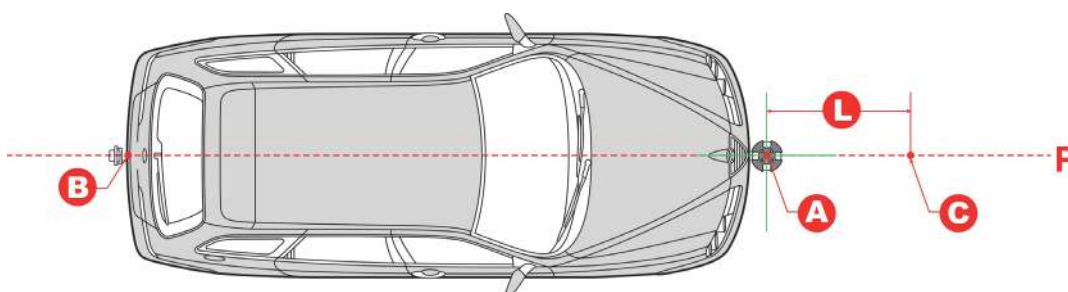
7. Observe la posición del rayo láser con el espejo auxiliar LAM09-04. Gire la perilla de ajuste (5) del instrumento láser de cinco líneas LAM09-01 para asegurar que el rayo láser longitudinal esté alineado con la raya reflexiva del reflector láser LAM09-03.



**2.3.2.2 Determine el lugar de colocación del PHOENIX ADAS MOBILE**

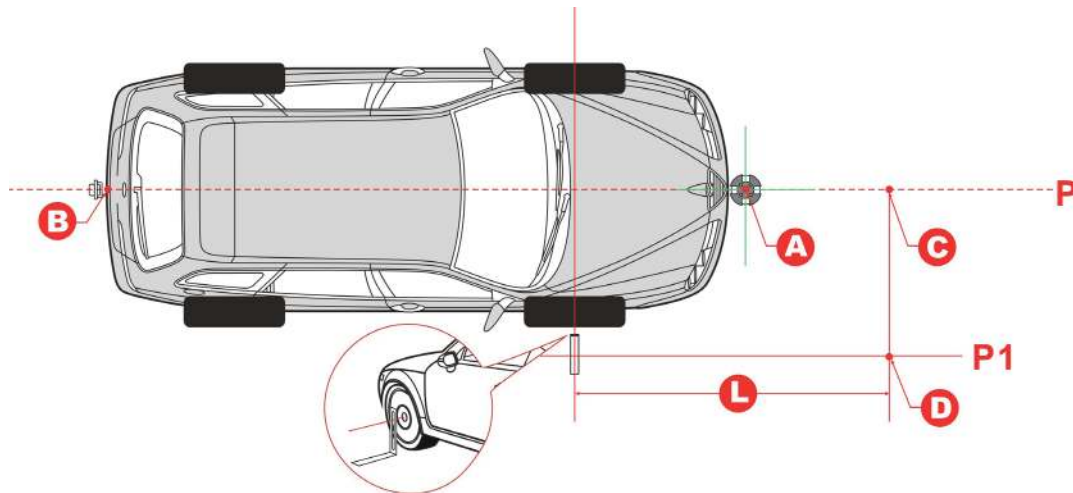
El lugar de colocación del PHOENIX ADAS MOBILE cambia de acuerdo al vehículo siendo servido. Por favor siga estrictamente las instrucciones en la pantalla para determinarlo. En general, se incluyen las siguientes posibles soluciones:

A. Medición de la tabla de metas/patrones al parachoques delantero Marque el punto C frente al punto A en la línea central P, asegurándose de que la distancia (L) entre el punto A y el punto C sea el valor especificado en las instrucciones de la aplicación en la pantalla.



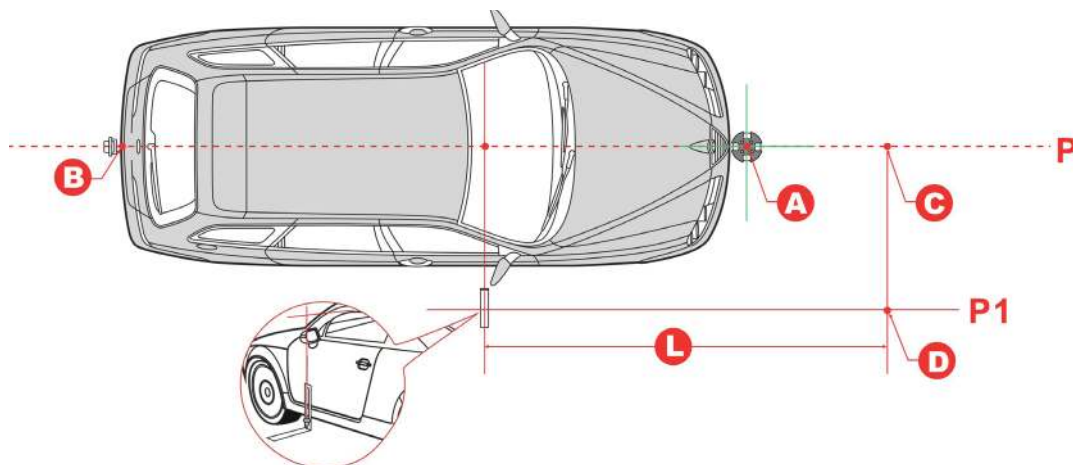
B. Medición de tabla de metas/patrones al centro del buje delantero

1. Posicione el soporte de posicionamiento en forma de L LAM09-05 delante del buje delantero.
2. Marque el punto D delante del soporte de posicionamiento en forma de L, asegurándose de que la distancia (L) entre el punto D y el soporte de posicionamiento en forma de L sea el valor especificado en las instrucciones de la aplicación en pantalla.
3. Marque el punto C en la línea central P para asegurarse que la línea del punto C al punto D sea perpendicular a la línea central P.



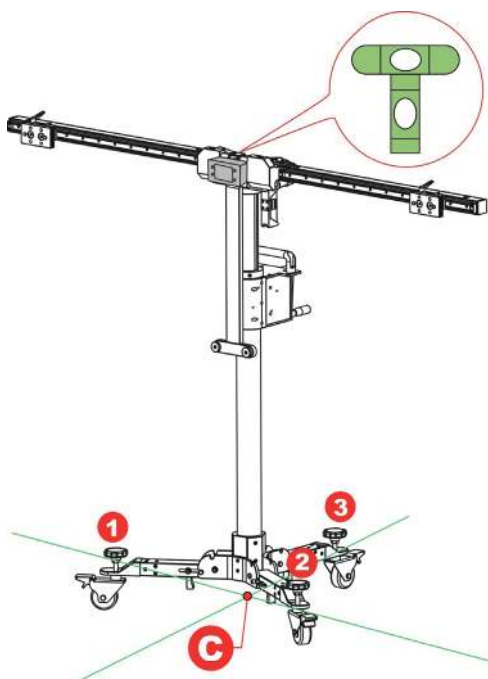
C. Medición de tabla de metas/patrones a la cámara frontal

1. Posicione el soporte de posicionamiento en forma de L LAM09-05 al lado del vehículo para alinearlos con la cámara.
2. Marque el punto D delante del soporte de posicionamiento en forma de L, asegurándose de que la distancia (L) entre el punto D y el soporte de posicionamiento en forma de L sea el valor especificado en las instrucciones de la aplicación en pantalla.
3. Marque el punto C en la línea central P para asegurarse de que la línea del punto C al punto D sea perpendicular a la línea central P.



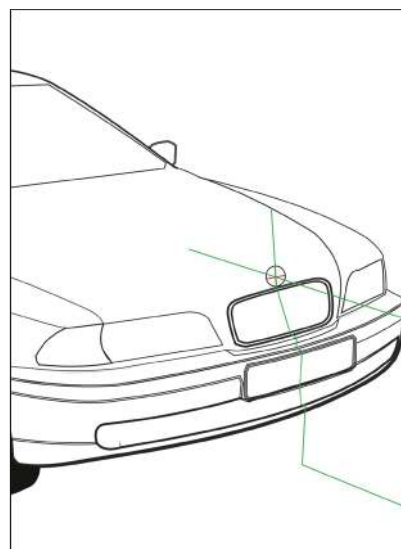
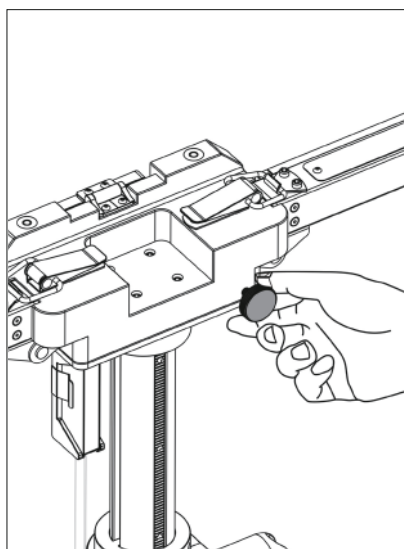
2.3.2.3 Colocación del PHOENIX ADAS MOBILE

1. Coloque el instrumento láser cruzado LAM09-02 cerca de la placa de posicionamiento del centro magnético del marco de calibración con la salida de rayos apuntando hacia la parte delantera del vehículo y este se fijará automáticamente a la placa.
2. Prenda el instrumento de láser cruzado LAM09-02, y luego coloque el PHOENIX ADAS MOBILE de manera que haga el punto de láser cruzado del instrumento LAM09-02 superponga el punto C.
3. Observe las burbujas del medidor de nivel en la barra transversal. Si las burbujas no están centralizadas, gire los tornillos de ajuste para ajustarlas hasta que estén centralizadas.
4. Fije el PHOENIX ADAS MOBILE en su lugar.



**2.3.2.4 Ajuste el PHOENIX ADAS MOBILE en paralelo con el vehículo.**

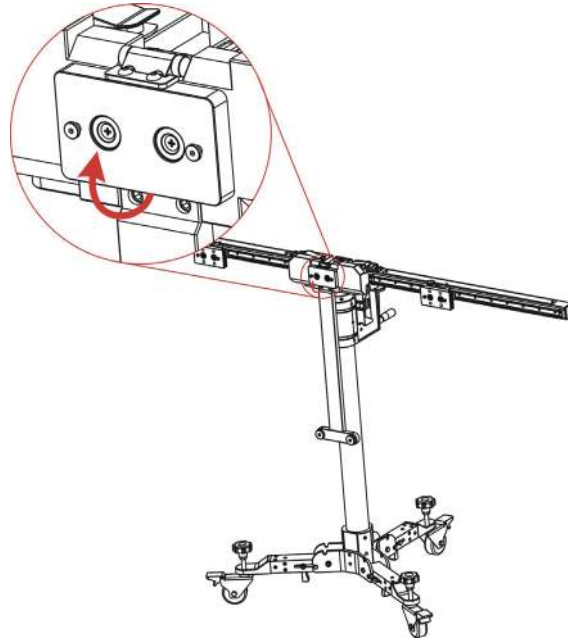
1. Use la perilla de ajuste para ajustar la posición de la barra transversal de modo que el rayo láser longitudinal del instrumento láser cruzado LAM09-02 se superponga a la línea central (y al centro del emblema del vehículo), y luego la barra transversal esté paralela al vehículo.



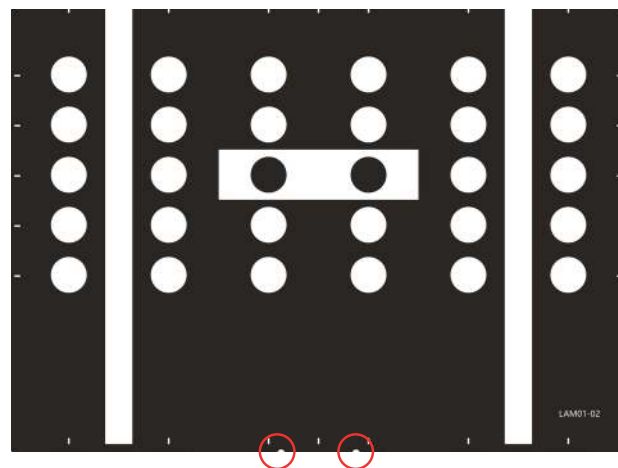
2. Apague el instrumento láser cruzado LAM09-02 y sepárelo de la placa de posicionamiento central.
3. Baje el mecanismo de seguridad de estacionamiento (12) para fijar el marco de calibración y evitar que se mueva.

**2.3.2.5 Seleccione la placa de metas / patrones deseada**

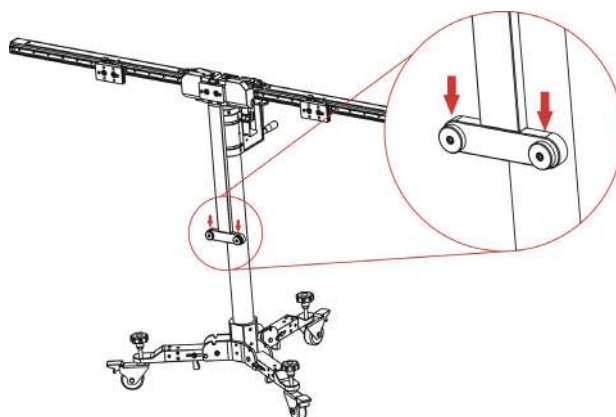
1. De acuerdo al vehículo siendo servido, elija la placa de metas /patrones correspondiente.
2. Para placa de patrones (más larga), siga los pasos abajo para instalación.
  - 1). Jale la placa de posicionamiento central hacia afuera y gírela hasta que se pare verticalmente en el marco de calibración.



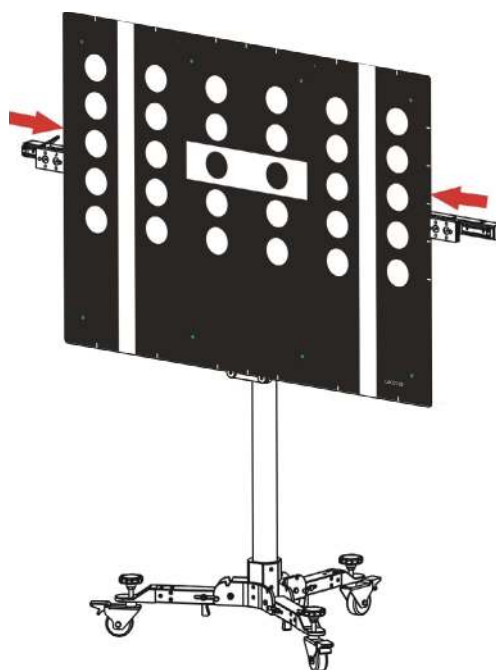
- 2). Ubique los orificios de montaje en la placa de patrón de calibración. Por favor note que hay dos orificios de instalación preestablecidos en el centro de la parte inferior de cada grande placa de patrones.



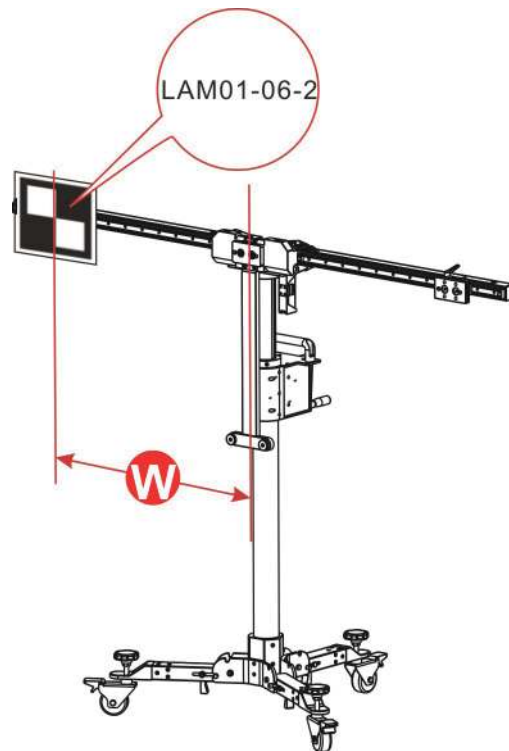
- 3). Posicione los orificios de montaje en el sostenedor de la placa de patrones.



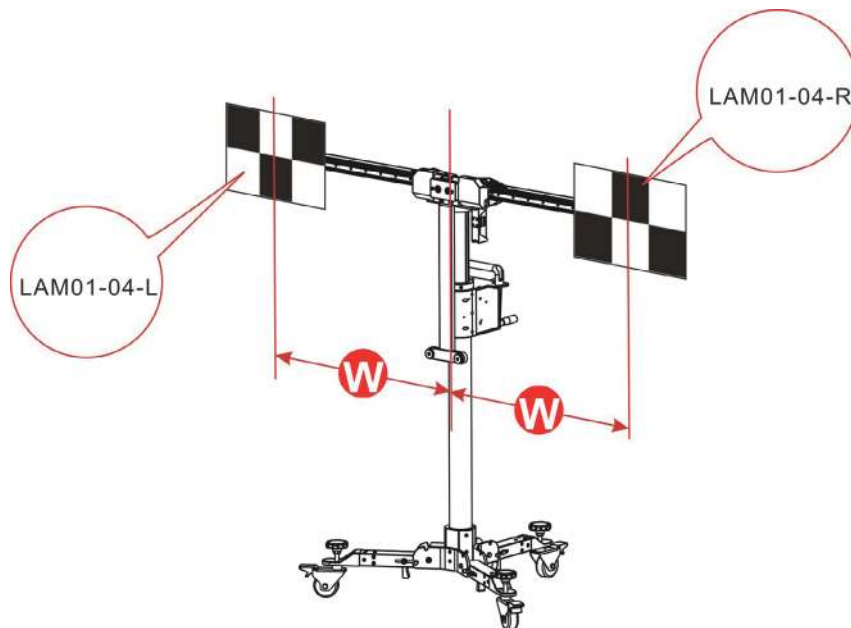
- 4). Deslice las placas de posicionamiento en las dos puntas hasta que fijen firmemente la placa de patrones.



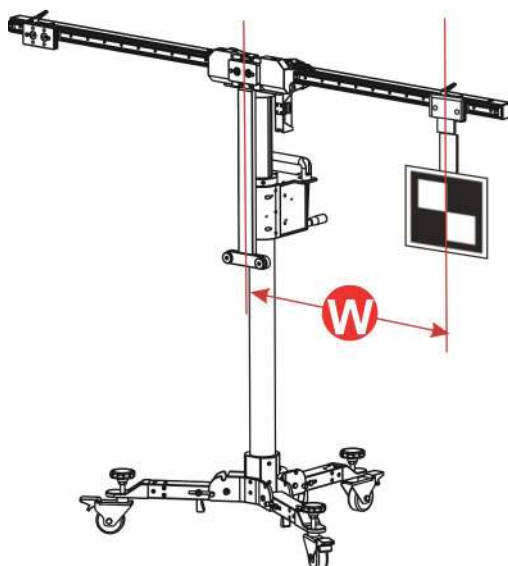
2. Para placa de metas (más pequeña), siga los pasos abajo para instalación.
- 1). Por favor note que hay dos orificios de montaje preestablecidos en la parte trasera de cada placa de metas pequeña. Alinee los orificios con el gancho de la placa de posicionamiento e insértelos en la placa, luego suavemente presione la placa hacia abajo hasta que esté firmemente fija en la placa.
  - 2). De acuerdo a las instrucciones de calibración en la pantalla de ADAS en la herramienta de diagnóstico,
    - Si la placa de metas (por ejemplo, LAM01-06-2) está instalada en la placa de posicionamiento izquierda o derecha, deslice la placa de posicionamiento a lo largo de la barra transversal hasta la posición deseada (un indicador de escala roja (4) en la parte superior del soporte apunta a la regla de escala (2) en la barra transversal).



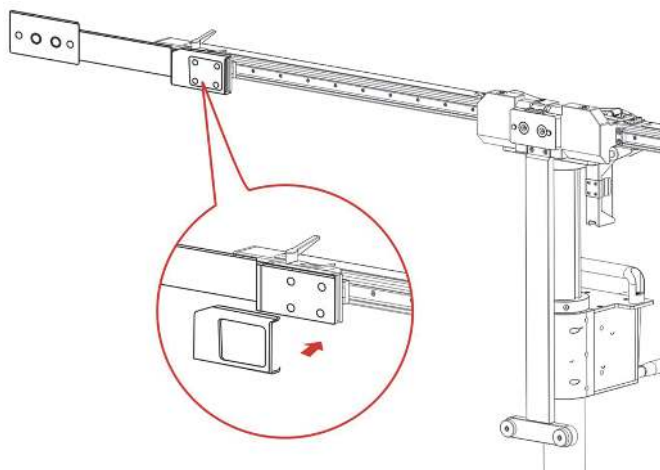
- Si la placa de metas (por ejemplo, LAM01-04-L&LAM01-04-R) está instalada, deslice la placa de posicionamiento a lo largo de la barra transversal hasta la posición deseada (un indicador de escala roja (4) en la parte superior del soporte apunta a la regla de escala (2) en la barra transversal). En este caso, ellos deben ser instalados en la misma posición en las barras transversales.



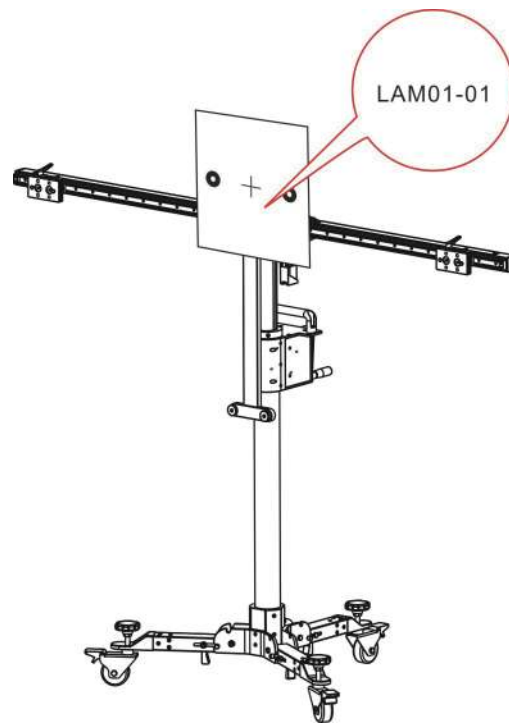
- Si se requiere la barra de extensión de placa de metas (por ejemplo LAM09-08 / LAM09-09) (en la condición de que la altura o el ancho del PHOENIX ADAS MOBILE no puedan cumplir con los valores especificados), primero fije la barra de extensión en la placa de posicionamiento, y después instale la tabla de metas en la barra de extensión.



Para la barra de extensión horizontal LAM09-08, se recomienda el uso de la tapa de la cerradura incluida para trabar la barra de extensión y evitar que se desplace debido a la pesada tabla de metas instalada. Sosténgalo y cúbralo en la barra de extensión (Ver la siguiente figura).

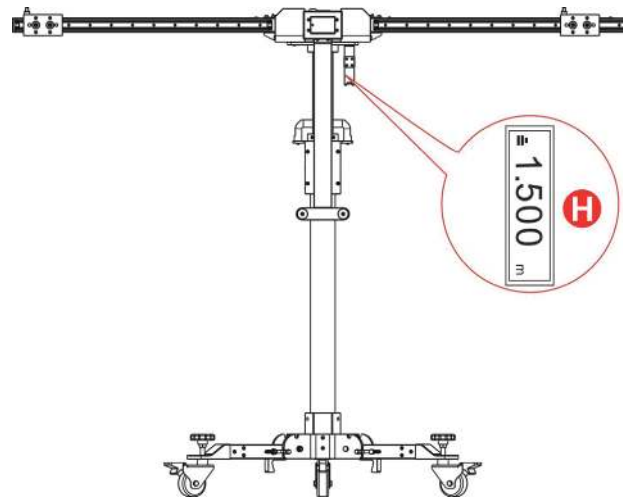


- Si la placa de metas (e.g. LAM01-01) está instalada en la placa de posicionamiento central, vaya al siguiente paso.



### 2.3.2.6 Defina la altura

Use la manivela (18) para ajustar la altura hasta que el valor exhibido en el buscador de alcance de láser sea igual que el valor especificado en las instrucciones de la pantalla.



Dado que el buscados de alcance de láser no está en el mismo nivel que la placa de metas/ patrones, se ajusta un valor de tolerancia preciso para la altura de calibración de cada vehículo en la herramienta de diagnóstico y los usuarios no necesitan hacer otras configuraciones ni cálculos.

## 3 Empezar Calibración

### 3.1 Calibrando la cámara frontal

Este capítulo describe la operación general de la calibración de la cámara frontal. Por ejemplo, aquí tomamos el 2017 Audi Q5 EEUU/Canadá para demostrar como hacer la calibración.

#### 3.1.1 ¿Cuándo calibrar?

1). Los siguientes códigos de problemas han sido encontrados en el vehículo (No hay configuraciones/ adaptaciones básicas o están incorrectas):

- B201000 - No hay configuraciones básicas
- C110A54 - No hay configuraciones básicas
- B201100 - Configuraciones básicas incorrectas

2). Los siguientes reparos y reemplazos son hechos en el vehículo:

- Cámara frontal reemplazada.
- El parabrisas ha sido removido, instalado o reemplazado.
- Se ha cambiado/ajustado la estructura del chasis.
- Uno de los sensores de nivel del vehículo de la amortiguación de llantas o el control de nivel han sido sustituidos.

#### 3.1.2 Notas de Operación

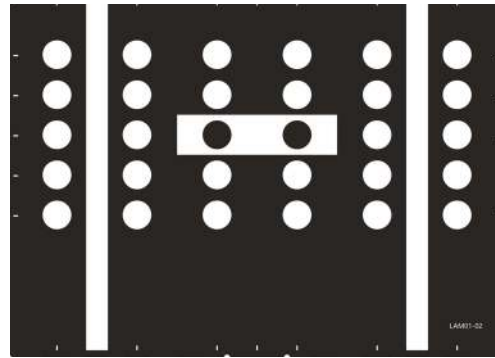
Asegúrese de que las siguientes condiciones hayan sido cumplidas:

##### Herramienta de diagnóstico & vehículo

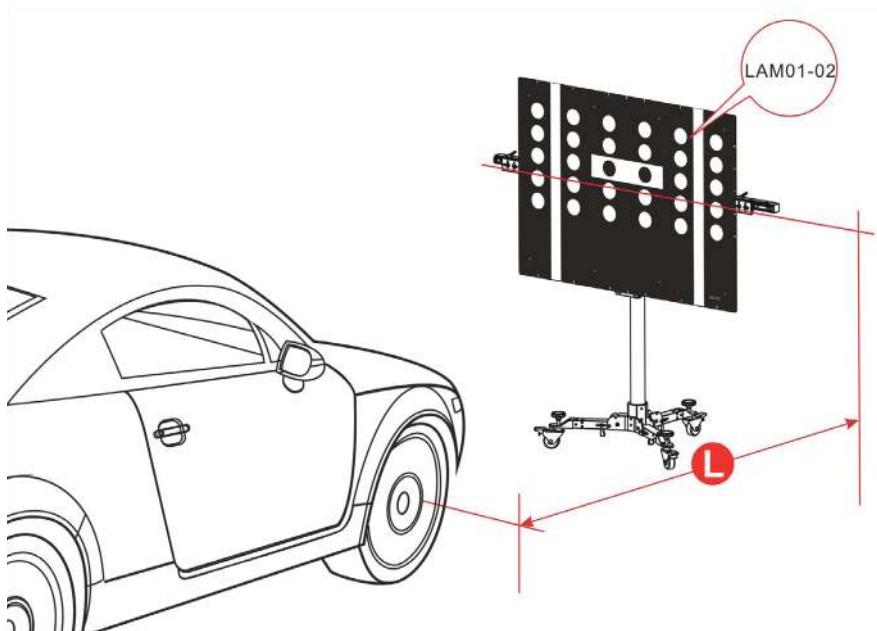
- Use el software de diagnóstico AUDI versión 28.50 o superior para realizar la calibración.
- Solamente los códigos de problemas relacionados con fallos de calibración han sido encontrados en el vehículo, todos los otros registros de memoria de fallos deben haber sido eliminados.
- Asegúrese de que el dispositivo VCI se haya conectado al DLC del vehículo.
- Prenda la ignición.
- Estacione el vehículo sin carga con las cuatro ruedas en una superficie horizontal.
- Todas las puertas del vehículo deben estar cerradas.
- Presión de llantas definida con valor por defecto.
- Apague el faro.
- La visión de la cámara está libre y limpia.

##### Herramienta de calibración

- La llanta delantera está en posición derecha hacia adelante, y el sensor del ángulo de dirección está ajustado a cero.
- Use el patrón de calibración LAM01-02.



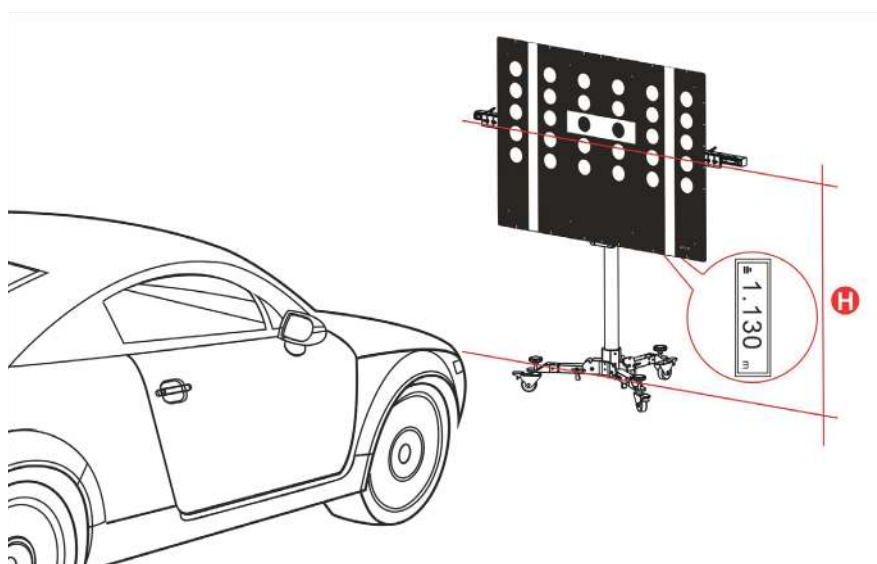
- Patrón de calibración ADAS es colocado en paralelo frente al vehículo.
- Patrón de calibración ADAS es colocado en el centro de la parte delantera del vehículo.
- La distancia del patrón de calibración al punto central del buje de llantas delanteras es 1.5m (59 pulgadas).



La siguiente tabla formula el rango de distancia de referencia para otros modelos de Audi al realizar la calibración de la cámara frontal.

1.5m (59 pulgadas)		1.7m (67 pulgadas)	
AUDI A3 2013>	2013~2018	AUDI Q2 2017>	2017~2018
AUDI A3 EEUU /CANADÁ 2013>	2014~2018	AUDI Q3 2012>	2012~2018
AUDI A4 2016>	2016~2018	AUDI Q3 EEUU /CANADÁ 2012>	2014~2018
AUDI A4 EEUU /CANADÁ 2016>	2016~2018	AUDI Q5 2017>	2017~2018
AUDI A5 2017>	2017~2018	AUDI Q5 EEUU /CANADÁ 2017>	2017~2018
AUDI A6 2011>	2011~2018	AUDI Q7 2016>	2016~2018
AUDI A6 EEUU /CANADÁ 2011>	2011~2018	AUDI Q7 EEUU /CANADÁ 2016>	2015~2018
AUDI A7 2011>	2011~2018		
AUDI A7 EEUU /CANADÁ 2011>	2011~2018		
AUDI A8 2010>	2010~2018		
AUDI A8 EEUU /CANADÁ 2010>	2010~2018		
AUDI A5 EEUU /CANADÁ 2016>	2017~2018		
AUDI TT 2015>	2015~2018		
AUDI TT EEUU /CANADÁ 2015>	2015~2018		

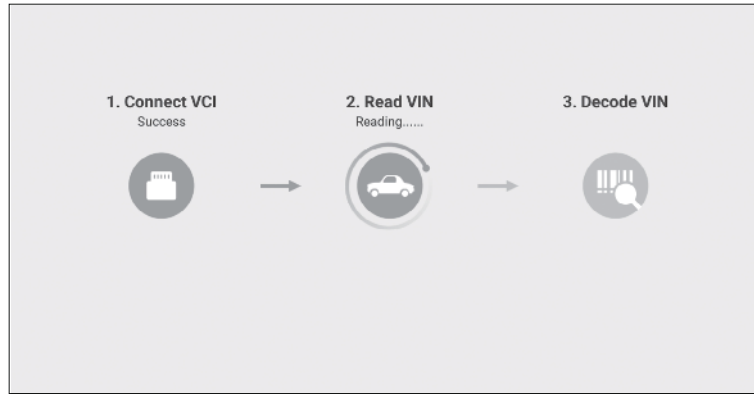
- Asegúrese de que el valor exhibido en la pantalla del buscador de alcance de láser sea 1.13m o 44.5 pulgadas (la altura desde el centro del patrón de calibración hasta el suelo).



### 3.1.3 Empezar calibración

Siga los pasos abajo para continuar:

1. Toque "Caja de Herramientas" -> "ADAS" en la herramienta de diagnóstico.
2. La herramienta de diagnóstico empieza a comunicarse con el VCI y leer VIN. Después que el VIN es decodificado con éxito, una pantalla como la de abajo aparece:



Model
Audi Q3 USA/CDN 2014>
Audi Q5 2009 >
Audi Q5 2017>
Audi Q5 Usa/Cdn 2009>
<b>Audi Q5 Usa/Cdn 2017&gt;</b>
Audi Q7 2007>
Audi Q7 2015>
Audi Q7 USA/CDN 2015>
Audi Q7 Usa/Cdn 2007>

3. Seleccione Audi Q5 EEUU/Cdn 2017>.



Model Year
2017 (H)
2018 (J)

(Seleccionar 2018 (J))



Variant
Suv

(Seleccionar SUV)



Engine
Cwgd 3.0l Tfsi / 260kw
Dayb 2.0l Tfsi / 185kw
Dfva 2.0l Tdi / 140kw

(Seleccionar Motor - Dfva 2.0l Tdi/140kw)



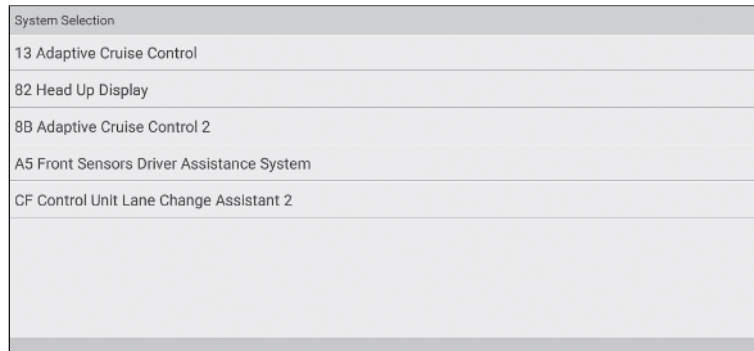
4. Verifique dos veces sus selecciones y toque Confirmar para ir al siguiente paso.

Name	Contents
Vehicle VIN	
Model	Audi Q5 Usa/Cdn 2017>
Model Year	2018 (J)
Version	Suv
Engine	Dfva 2.0l Tdi / 140kw

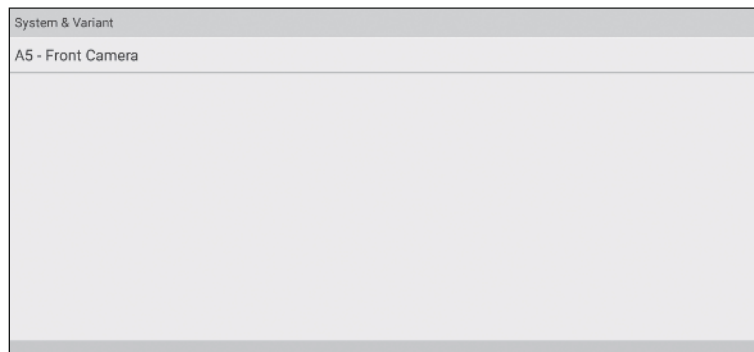
Confirmed



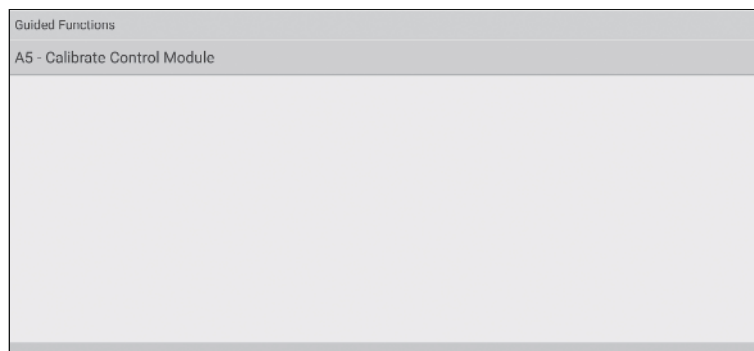
5. Seleccione el sistema para ser calibrado.



(Seleccione Sensores Delanteros de Sistema de Asistencia al Chofer A5)



(Seleccione A5 - Cámara Frontal)

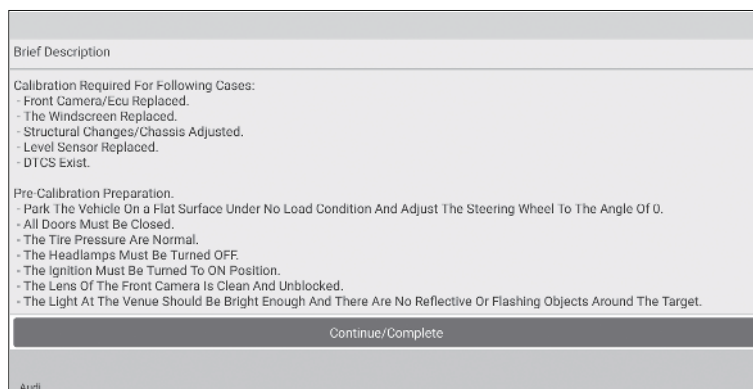


(Seleccione A5 - Calibrar Módulo de Control)

6. Seleccione A5 - Calibrar Módulo de Control para continuar.

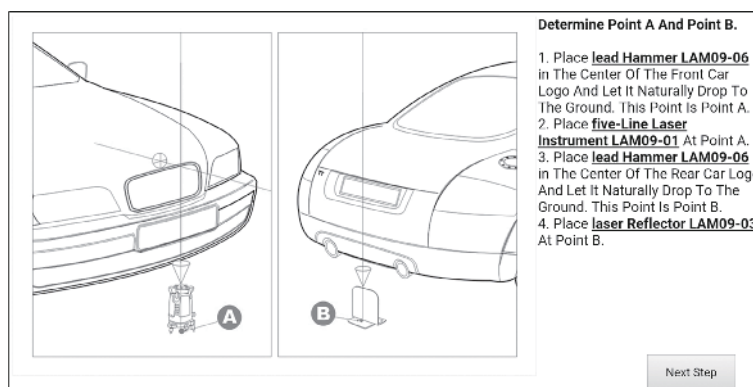


7. Deslice la pantalla para leer con cuidado todas las condiciones y tips de calibración y verifique dos veces que todas las preparaciones previas a la calibración estén bien hechas. Caso sí, toque Completo/ Continuar.

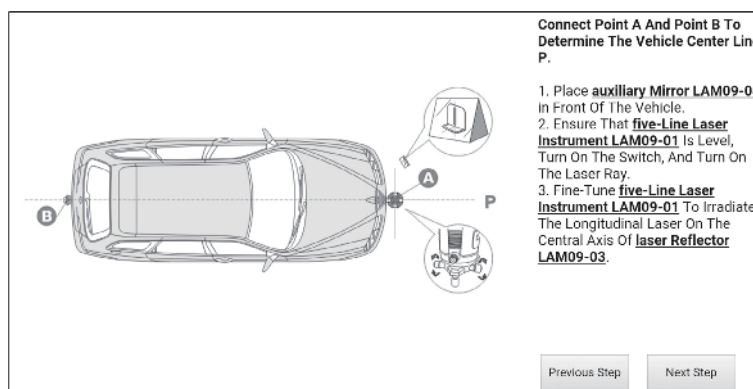


8. Chequee si los siguientes pasos han sido hechos o no.

1). Determine la línea central del vehículo en prueba.



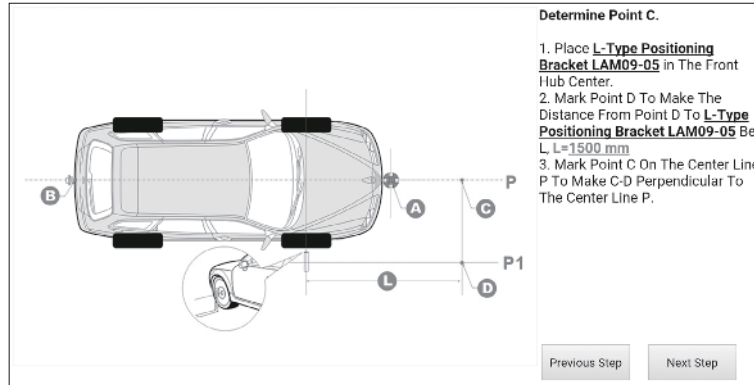
(Toque en Siguiete Paso)



(Toque en Siguiete Paso)

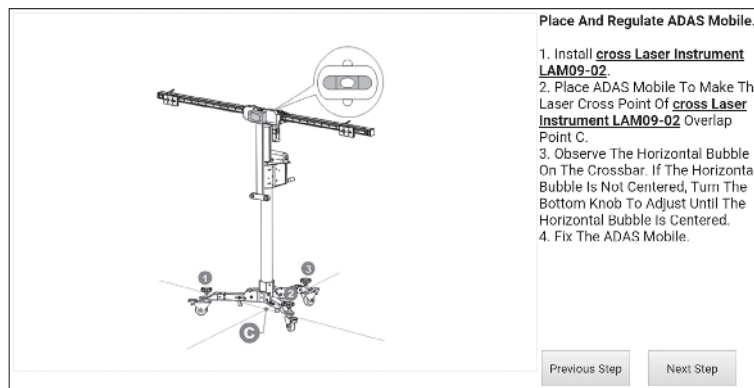
2). Determine el lugar de colocación del PHOENIX ADAS MOBILE.





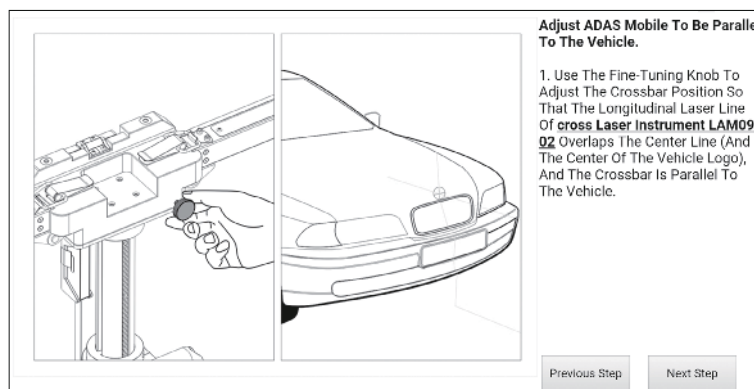
(Toque en Siguiente Paso)

3). Coloque el PHOENIX ADAS MOBILE



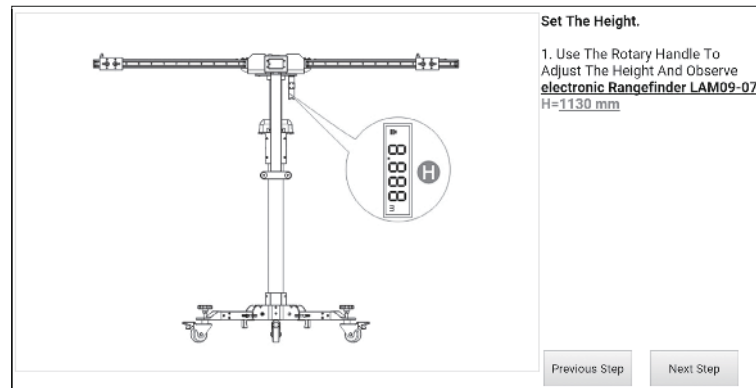
(Toque en Siguiente Paso)

4). Ajuste el PHOENIX ADAS MOBILE en paralelo con el vehículo.



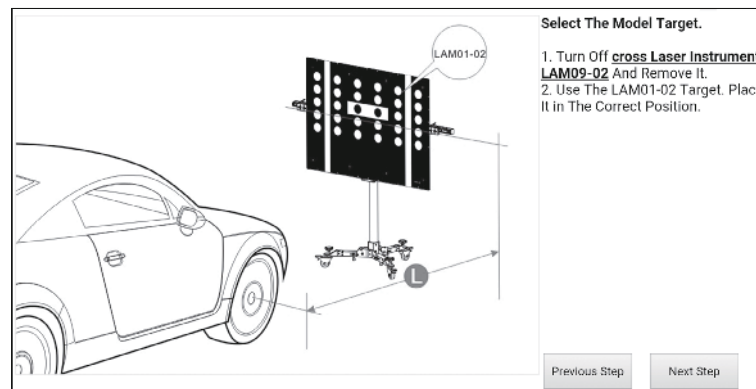
(Toque en Siguiente Paso)

5). Defina la altura.



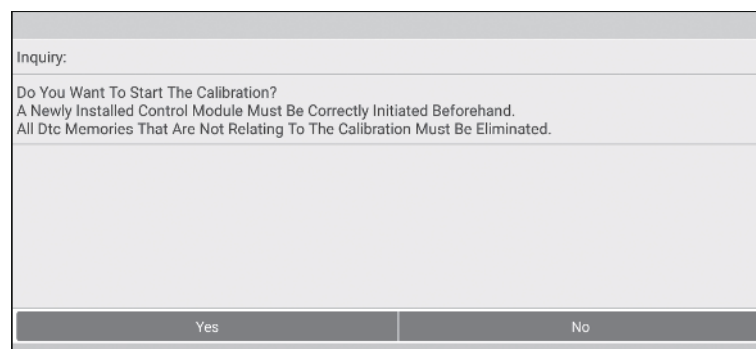
(Toque en Siguiente Paso)

6). Seleccione la placa de patrones LAM01-02.



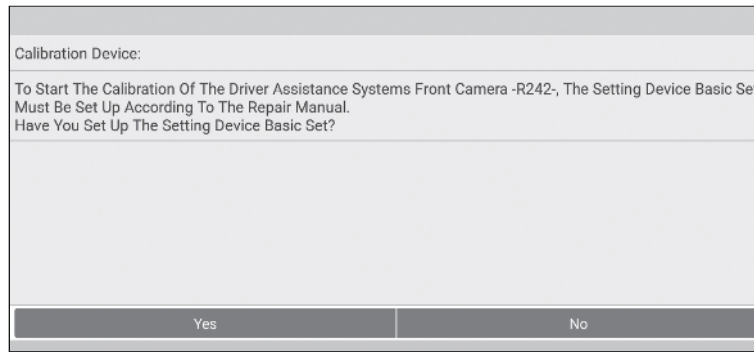
(Toque en Siguiente Paso)

9. La siguiente caja de diálogo es exhibida en la pantalla. Antes de la calibración, asegúrese de que todos los DTCs que no son relacionados a la calibración hayan sido borrados. Caso sí, toque Sí y vaya al próximo paso.

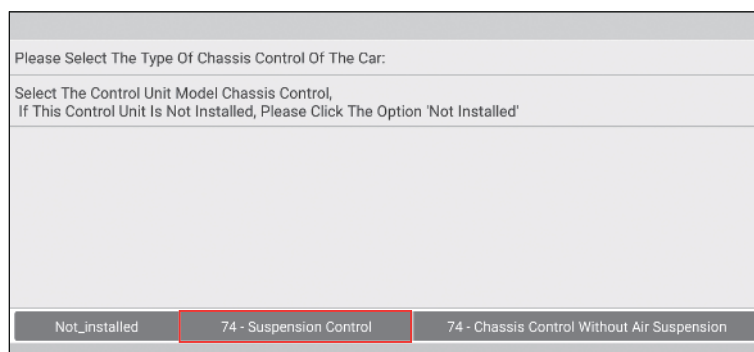


(Toque Sí)

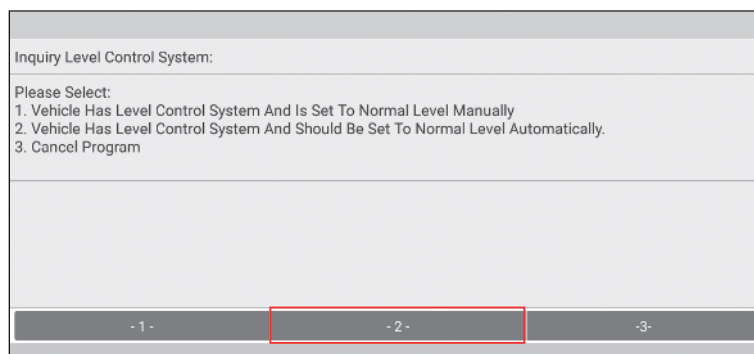




(Toque Sí)

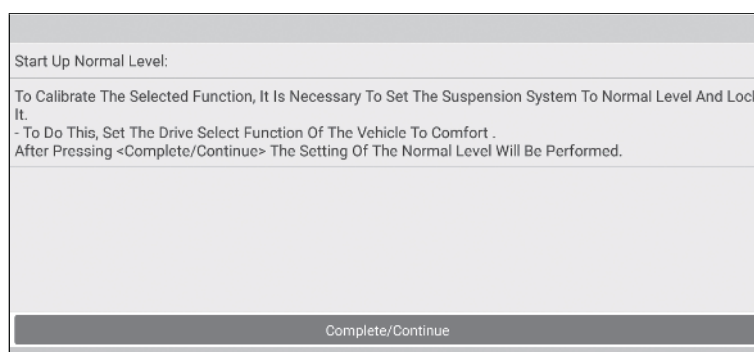


10. Seleccione 74 - Control de Suspensión para elegir como establecer el sistema de nivel del vehículo al nivel normal.

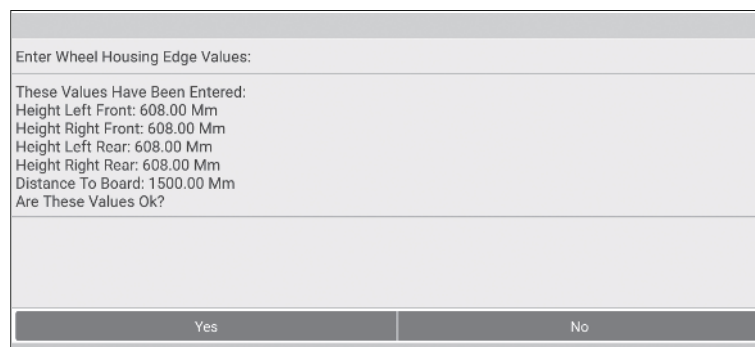


(Seleccionar -2-)

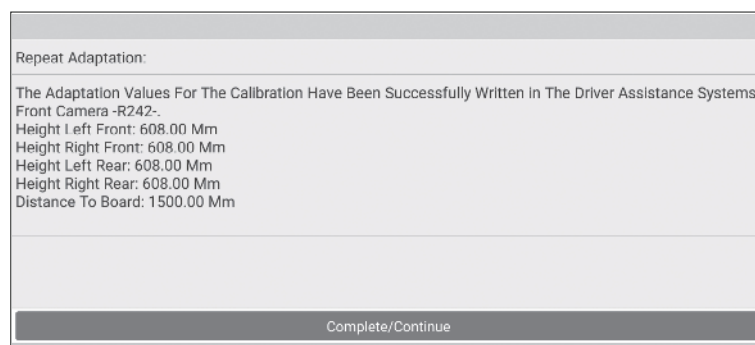
11. Toque -2-(El vehículo tiene un sistema de control de nivel y debe ajustarse automáticamente al nivel normal). Defina la función de selección de conducción del vehículo como CONFORTO para definir el sistema de suspensión como el nivel normal y bloquearlo.



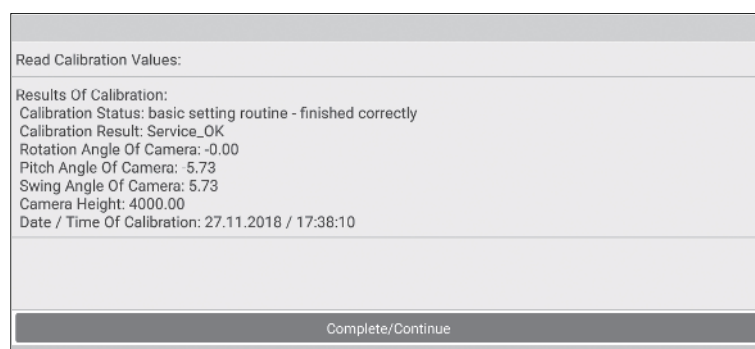
12. Toque Completo/Continuar, siga las instrucciones en pantalla para finalizar la parte inicial, evalúe el estado del chasis y el sistema de control de nivel, e ingrese los valores del borde de la carcasa de la llanta (\*por favor ingrese los valores en milímetros).



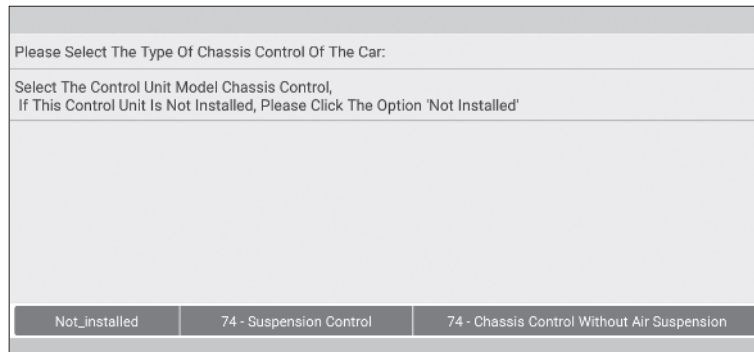
13. Verifique dos veces si todos los valores están correctos. Toque Sí para escribir los valores de adaptación en los sistemas de asistencia al chofer.



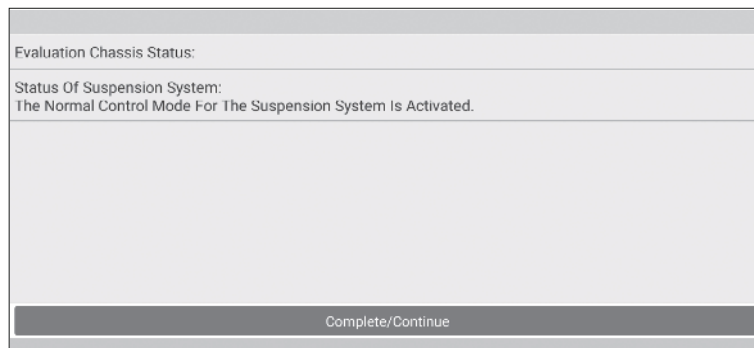
14. Toque Completo/Continuar para definir el modo calibración, iniciar calibración y leer valores de calibración.



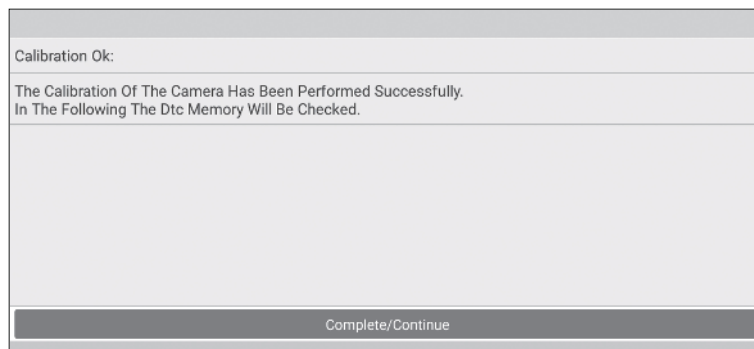
15. Toque Completo/Continuar para consultar el sistema de control de nivel y seleccionar el tipo de control de chasis del vehículo.



16. Seleccione 74 - Control de Suspensión para reiniciar el sistema de control de nivel para modo de control normal y desactivar el sistema de control de nivel del sistema de suspensión.

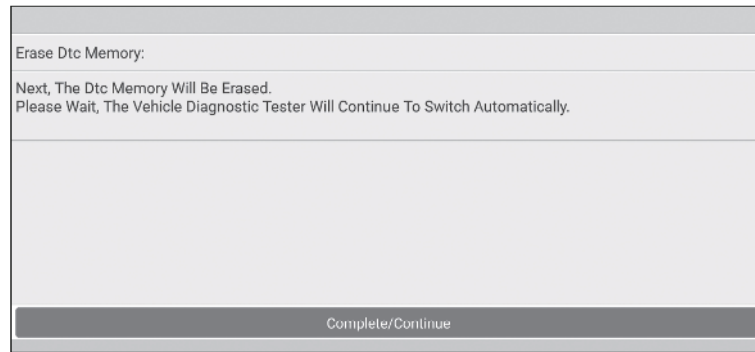


17. Toque Completo/Continuar para terminar la calibración de la cámara frontal. En seguida la herramienta de diagnóstico va a limpiar los códigos de problemas de diagnósticos anteriores existentes.

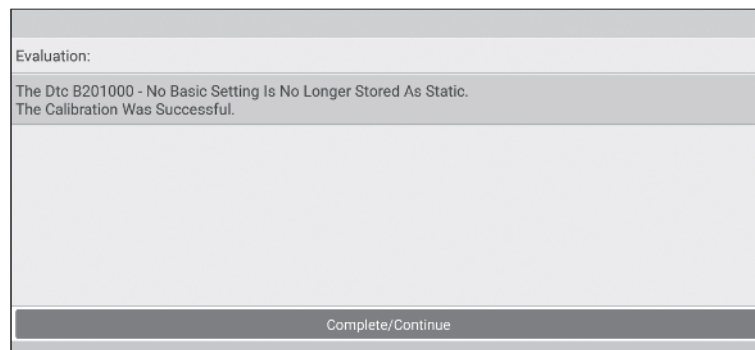


18. Toque Completo/Continuar para esperar que la herramienta de diagnóstico borre los DTCs relacionados con la calibración.

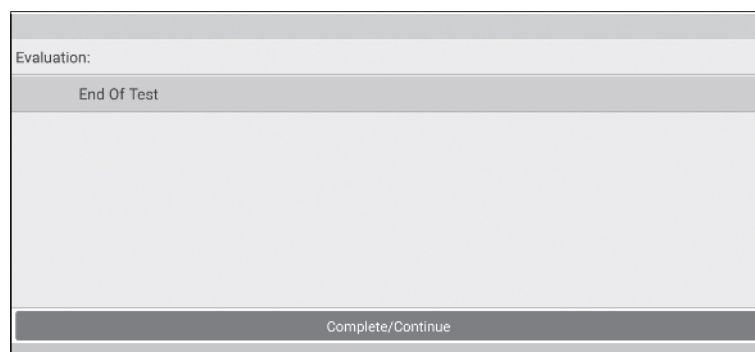




19. Toque Completo/Continuar para confirmar si los DTCs han sido borrados o no.



20. Toque Completo/Continuar para confirmar y terminar la sesión de calibración.



## 3.2 Calibrando la cámara trasera

Este capítulo describe la operación general de la calibración de la cámara trasera en AUDI A4 EEUU/ CANADÁ. 2016 (Modelo Año 2018).

### 3.2.1 ¿Cuándo calibrar?

1). El siguiente código de problema de diagnóstico ha sido encontrado en el vehículo:

■ B201000 - El sistema de visión trasera no ha sido calibrado.

2). Los siguientes reparos y reemplazos son hechos en el vehículo:

■ La cámara de respaldo R189 ha sido removida e instalada.

■ La unidad de control de sistema de cámara de respaldo J772 ha sido reemplazada.

■ Después de que se haya realizado la reparación del accidente en la carrocería trasera o en la cubierta del maletero.

■ Después del alineamiento de las cuatro llantas.

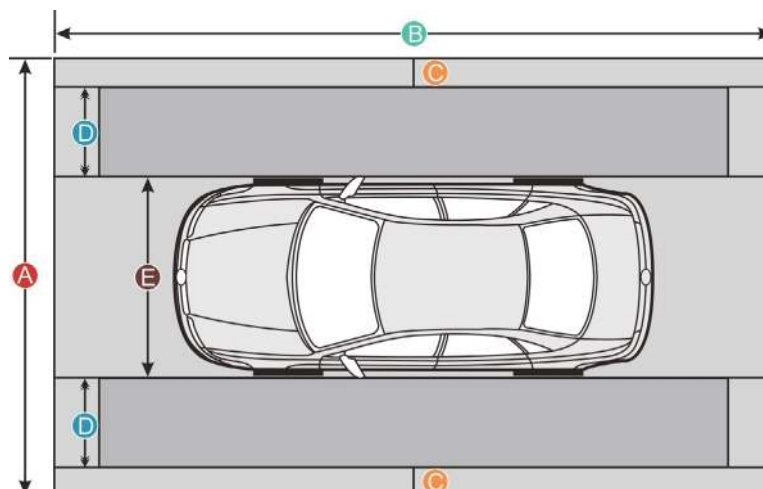
■ Después de que se haya realizado el trabajo de reparación en la parte delantera o eje trasero.

### 3.2.2 Notas de Operación

Asegúrese de que las siguientes condiciones hayan sido cumplidas:

#### Tamaño de Puesto de Trabajo

Para calibrar la parte trasera & cámara AVM, el tamaño completo del puesto de trabajo depende del tamaño del vehículo y el patrón de referencia de calibración. La ilustración siguiente describe el tamaño máximo del puesto de trabajo solamente para referencia.

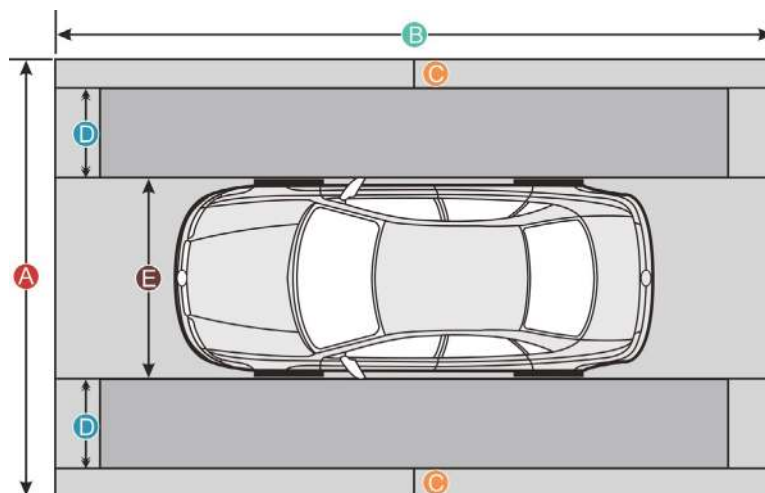


### 3.2.2 Notas de Operación

Asegúrese de que las siguientes condiciones hayan sido cumplidas:

#### Tamaño de Puesto de Trabajo

Para calibrar la parte trasera & cámara AVM, el tamaño completo del puesto de trabajo depende del tamaño del vehículo y el patrón de referencia de calibración. La ilustración siguiente describe el tamaño máximo del puesto de trabajo solamente para referencia.



	Vehículos americanos	Vehículos Europeos	Vehículos asiáticos
Distancia A (el ancho del puesto de trabajo completo)	alrededor de 7.3m (287.4 pulgadas)	alrededor de 4.5m (117.2 pulgadas)	alrededor de 6.1m (240 pulgadas)
Distancia B (el ancho del puesto de trabajo completo)	alrededor de 12m (472 pulgadas)	alrededor de 7m (275.6 pulgadas)	alrededor de 9.5m (374 pulgadas)
Distancia C (una vía por donde el técnico pueda caminar)	por lo menos 0.5m (19.7 pulgadas)	por lo menos 0.5m (19.7 pulgadas)	por lo menos 0.5m (19.7 pulgadas)
Distancia D (el ancho del patrón de referencia de calibración. Cambia de vehículo a vehículo)	alrededor de 1.7m (67 pulgadas)	alrededor de 0.8m (31.5 pulgadas)	alrededor de 1.6m (63 pulgadas)
Distancia E (el ancho del vehículo, cambia de vehículo a vehículo)	alrededor de 2.9m (114 pulgadas)	alrededor de 1.9m (74.8 pulgadas)	alrededor de 1.9m (74.8 pulgadas)

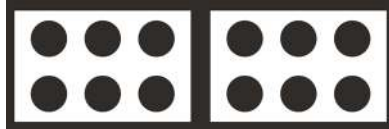
#### Herramienta de diagnóstico & vehículo

- Use el software de diagnóstico AUDI versión 28.50 o superior para realizar la calibración.
- Asegúrese de que no haya luz directa que reflejada en el patrón de calibración. La luz reflejada afecta el reconocimiento de imagen de la cámara y crea una posibilidad de falla en la calibración.
- Asegúrese de que el dispositivo VCI se haya conectado al DLC del vehículo.
- Prenda la ignición.
- La cámara de respaldo ha sido activada (Imagen de cámara de respaldo disponible para visualización).

- El vehículo está en buenas condiciones y no se permite sentarse en el vehículo.
- El tanque de combustible está lleno.
- Mantener la presión estándar en las llantas.

#### Herramienta de calibración

- Use el patrón de calibración LAC02-03.



LAC02-03

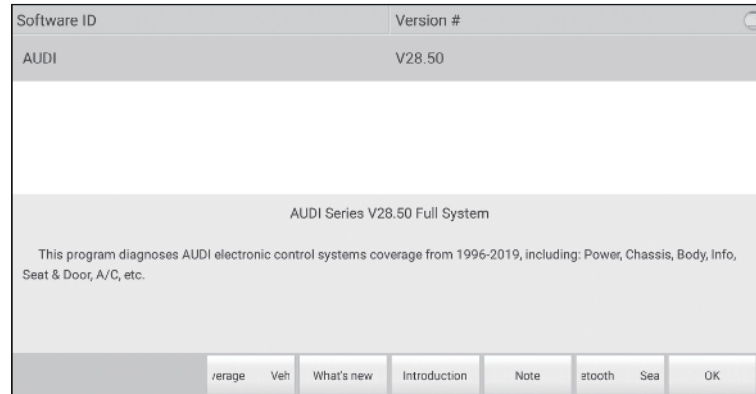
- Se necesita regla o medición con cinta.
- Configuración de herramienta de calibración: El patrón de calibración es paralelo al eje de la llanta trasera del vehículo y está centrado. La distancia desde el borde del LAC02-03 hasta el centro de la llanta trasera es de  $1500 \pm 10$  mm o  $59,055 \pm 0,394$  pulgadas. Para Phaeton, es  $1700 \pm 10$  mm o  $66.929 \pm 0.394$  pulgadas.



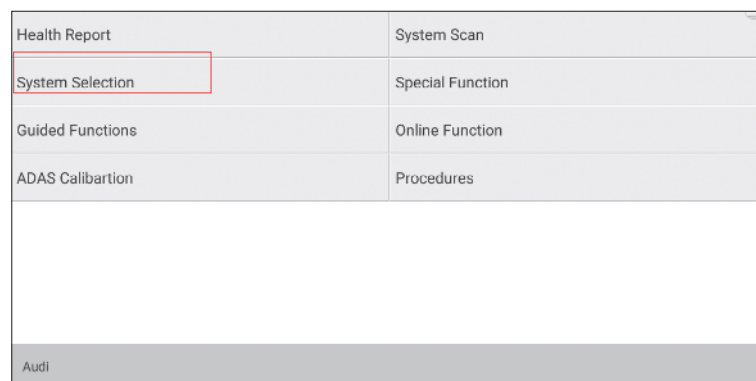
### 3.2.3 Empezar calibración

Siga los pasos abajo para continuar:

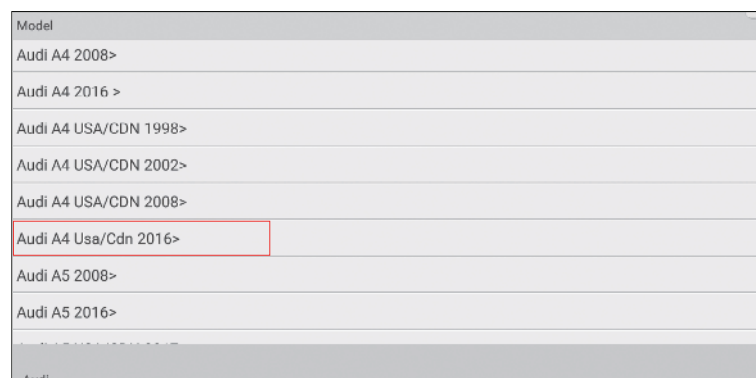
1. Elegir AUDI en la pantalla de selección del software de diagnóstico.



2. Toque OK para acceder la siguiente pantalla de menú de diagnóstico.



3. Elija Funciones Guiadas para acceder a la pantalla de selección de modelo de vehículo.



(Seleccione Audi A4 EEUU/Cdn 2016>)

Model Year
2016 (G)
2017 (H)
2018 (J)

Audi

(Seleccionar 2018 (J))



Variant
Sedan
Allroad

Audi

(Elegir Sedan)



Engine
Cwgd 3.0l Tfsi / 260kw
Cymc 2.0l Tfsi / 185 Kw
Dbpa 2.0l Tfsi / 140kw
Dfva 2.0l Tdi / 140kw

Audi

(Seleccionar Motor - Dfva 2.0l/140kw)



4. Verifique dos veces sus selecciones y toque Confirmar para ir al siguiente paso.

Name	Contents
Vehicle VIN	
Model	Audi A4 Usa/Cdn 2016>
Model Year	2018 (J)
Version	Sedan
Engine	Dfva 2.0l Tdi / 140kw
Confirmed	
Audi	

5. Seleccionar Selección de Sistema del listado de funciones guiadas.

System Selection
Special Function
Test Plan
Audi

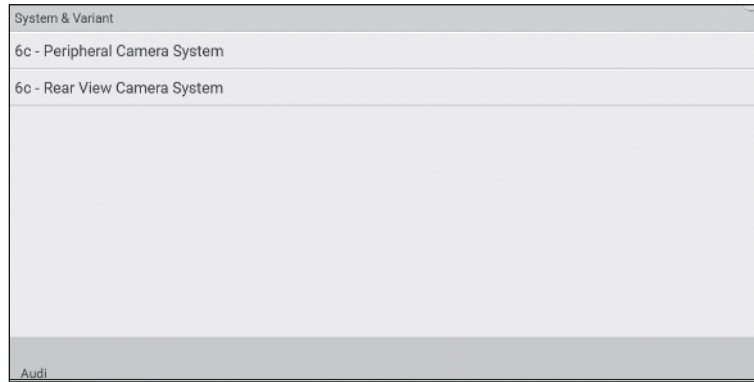
(Seleccionar Selección de Sistema)



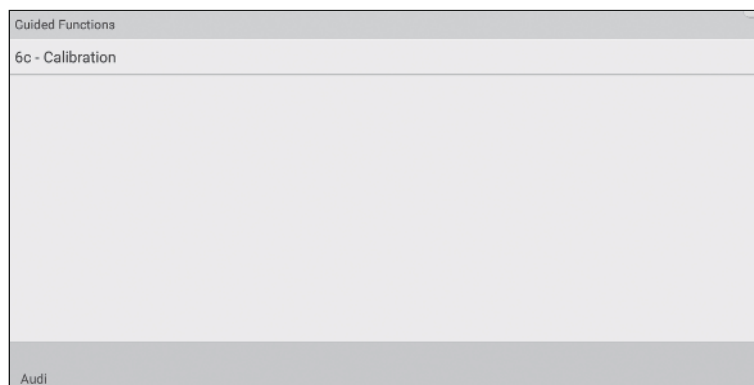
System Selection
Special Function
57 TV Tuner
5E Control Head Rear Left
5F Information Control Unit 1
65 Tire Pressure Monitoring 1
69 Trailer Function
6C Camera System Rear View
6D Deck Lid Control Unit
74 Chassis Control
Audi

(Seleccionar 6C Visión Trasera del Sistema de Cámara)





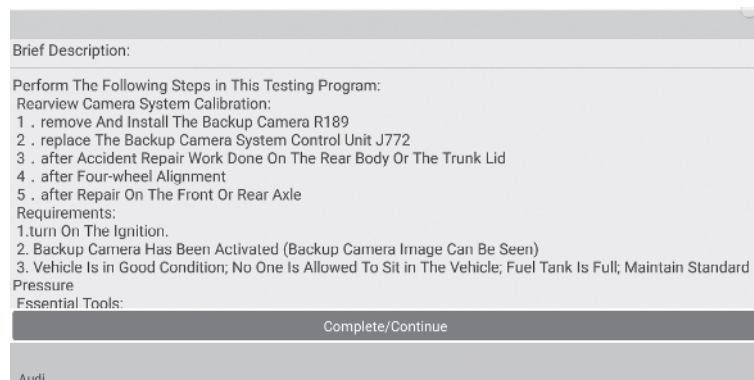
(Seleccionar 6c - Sistema de Cámara Visión Trasera)



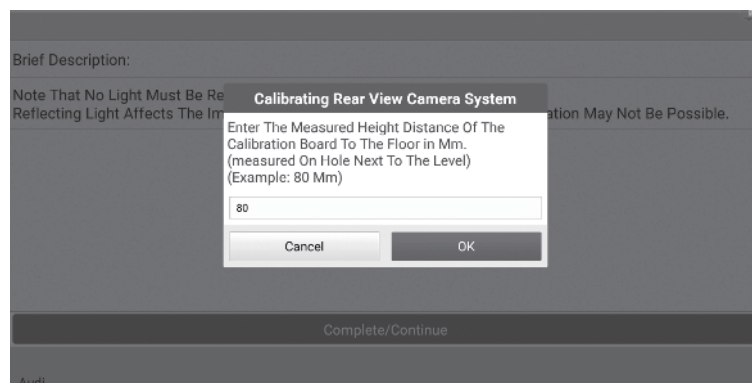
(Seleccionar 6c - Calibración)



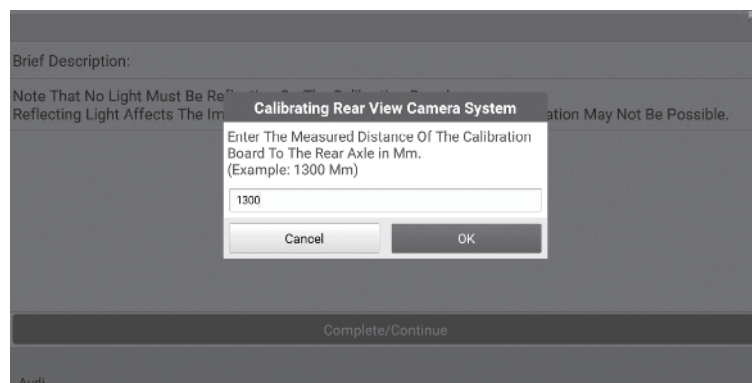
6. Deslice la pantalla desde la parte inferior para desplazarse y lea con cuidado todas las instrucciones y notas sobre operación de calibración. Toque Completo/Continuar para continuar.



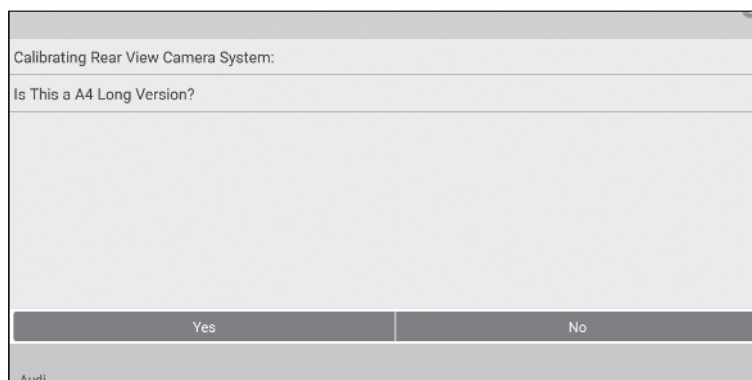
7. Ingrese la distancia de altura medida desde el patrón de calibración hasta el piso en milímetros (por ejemplo: 80mm), y toque OK para confirmar.



8. Ingrese la distancia medida desde el patrón de calibración hasta el eje trasero en milímetros (por ejemplo: 1300mm), y toque OK para confirmar.

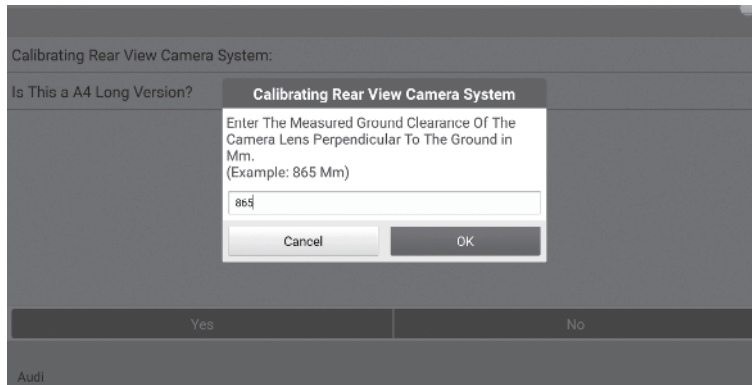


9. Verifique dos veces si es una versión de largo A4 o no. Caso sí, toque Sí.

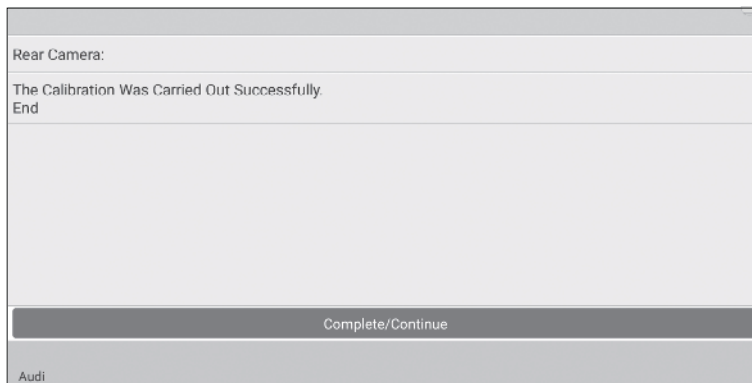
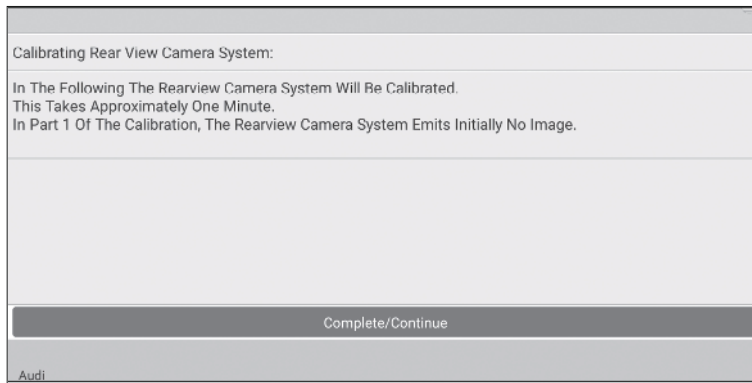


10. Ingrese la distancia al suelo medida de la lente de la cámara perpendicular al suelo en milímetros (por ejemplo: 865mm), y toque OK para confirmar.





11. El sistema de cámara de la visión trasera empieza a calibrar. Siga las instrucciones de la pantalla hasta que la calibración sea finalizada con éxito.



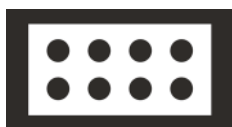
## 4 Kit de patrones de destino (Opcional)

Debido al desarrollo continuo, más paneles de calibración específicos para otros fabricantes del vehículo estarán disponibles individualmente en el PHOENIX ADAS MOBILE, extendiendo aún más su cobertura.

Por favor verifique la lista de empaque al recibir su herramienta para que las quejas se puedan emitir de inmediato con respecto a posibles daños o piezas faltantes. Para destinos diferentes, los accesorios pueden variar. Varios paquetes de panel de calibración y kits están disponibles individualmente o como un paquete para atender a diferentes requerimientos de oficinas. Para detalles, por favor consulte los vendedores locales o verifique la lista de empaque incluida.

### 1.RCW&AVM KIT DE METAS - ASIÁTICO

HONDA-AVM  
(LAC04-01)



HONDA-AVM  
(LAC04-02)



NISSAN-RCW  
(LAC04-11)



HYUNDAI-AVM  
(LAC04-12-01/02)



MITSUBISHI AVM  
(LAC04-13)



NISSAN RCW  
(LAC04-15)



### 2.RCW&AVM KIT DE METAS - AMERICANO

CADILAC-AVM  
(LAC04-06)



FORD-AVM  
(LAC04-07)



### 3.RCW&AVM KIT DE METAS - EUROPEO

MERCEDES-RCW  
(LAC02-02)



VW-RCW  
(LAC02-03)



VW-AVW  
(LAC04-04)



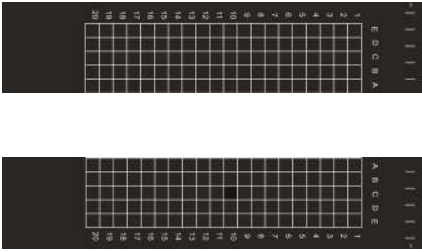
MERCEDES-RFK  
(LAC04-08-01)



MERCEDES-RFK  
(LAC04-08-02)



RENAULT-AVM  
(LAC04-10-01/02)



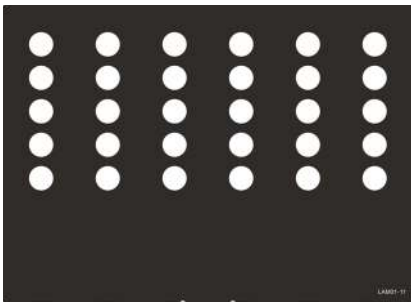
VW-AVM  
(LAC04-14)



---

4.OTRAS METAS

ROMEO-LDW  
(LAM01-11)



REFLECTOR ACC  
(LAM05-02)



REFLECTOR DE RINCONES  
(LAC05-03)



SIMULADOR DOPPLER  
(LAC05-04)



## 5 Cuidado & Mantenimiento

- La herramienta de calibración, las refacciones y los accesorios deben manipularse con cuidado.
- Mantén limpia la herramienta de calibración todo el tiempo.
- No la sumerja en agua u otros fluidos.
- Mantén la herramienta de calibración seca y opere dentro de las temperaturas normales de operación.
- No almacene la herramienta de calibración en áreas húmedas o sucias.
- Lubrique periódicamente las piezas móviles con grasa o aceite sin ácidos o resinas.
- Limpie a menudo la herramienta de calibración ADAS con productos de limpieza no-agresivos.
- Use detergentes domésticos comerciales y un paño de limpieza humedecido, suave.
- Use siempre refacciones originales para reemplazar inmediatamente accesorios dañados.
- Tenga siempre su herramienta de calibración servida por centros de servicio pos-venta autorizados.

## Garantía

### TOPDON Garantía Limitada de Un Año

TOPDON garantiza a su comprador original que los productos TOPDON estarán libres de defectos en el material y mano de obra durante 12 meses a partir de la fecha de compra (Período de Garantía). Para los defectos informados durante el Período de Garantía, TOPDON irá, de acuerdo con su análisis y confirmación de soporte técnico, reparar o reemplazar la(s) pieza(s) o producto(s) defectuoso(s).

Esta garantía limitada queda anulada bajo las siguientes condiciones:

Utilización incorrecta, desmonte, alteración o reparación por técnicos o tiendas no autorizados.

Manejo descuidado y violación de la operación.

Algunos países, estados y provincias no permiten la exclusión o limitación de daños incidentales o consecuentes o exclusiones o limitaciones en la duración de garantías o condiciones implícitas, por lo tanto las limitaciones o exclusiones arriba tal vez no se apliquen a usted.



# Čeština



 UPOZORNĚNÍ 

Prostudujte si všechny instrukce přiložené k tomuto produktu. Ujistěte se, že jim rozumíte, a striktně je dodržujte. Před instalací, použitím, servisním zásahem nebo opravou zařízení si nejprve přečtěte tyto instrukce. Instrukce uchovávejte na bezpečném a snadno dostupném místě.

**Upozornění: Abyste předešli zraněním,**

- Pro správné použití kalibračního nástroje PHOENIX ADAS MOBILE je třeba, aby měl uživatel znalosti o technologiích automobilového průmyslu, díky kterým si bude vědom zdrojů nebezpečí a rizik v opravách a na vozidlech.
- Nikdy tento nástroj nepoužívejte na jiné úkony, než k jakým byl navržen.
- Nikdy žádným způsobem nástroj neupravujte. Nesprávné použití/údržba nebo úprava nástroje může vést k vážnému zranění nebo smrti.
- Vždy mějte v blízkosti zařízení hasicí přístroj určený k hašení požárů benzínu, chemikálií a elektrických zařízení.
- Nepoužívejte poškozenou nabíječku baterií. Vestavěnou lithiovou baterii lze vyměnit pouze u dodavatele. Nesprávná výměna nebo manipulace s baterií může způsobit explozi.

**Při použití kalibračního nástroje PHOENIX ADAS MOBILE**

Abyste zabránili zranění uživatele nebo nesprávné manipulaci a následnému zničení kalibračního nástroje PHOENIX ADAS MOBILE, věnujte pozornost následujícím bodům:

- Kalibrační nástroj PHOENIX ADAS MOBILE sestavujte výhradně podle návodu k obsluze.
- Chraňte kalibrační nástroj PHOENIX ADAS MOBILE před vodou a silnými nárazy.
- Chraňte kalibrační nástroj PHOENIX ADAS MOBILE před dlouhodobým působením slunečního záření.
- Zdroj světla volte tak, aby nezpůsobil odrazy na kalibračním panelu.
- Odstraňte přímé zdroje světla ze zorného pole kamery, jinak kamera automaticky sníží expozici. Tím dojde ke ztmavení pořízeného kalibračního vzoru, což nepříznivě ovlivňuje kalibraci.
- Zdroj světla by měl na celém kalibračním pracovišti zajišťovat rovnoměrné rozložení osvětlení.
- Provádějte pravidelné kontroly a servis kalibračního nástroje PHOENIX ADAS MOBILE.
- Udržujte nástroj suchý, čistý a bez skvrn od oleje, vody nebo maziva. Pokud je to nutné, očistěte vnější část nástroje jemným čisticím prostředkem na čistém kousku látky.

**Při použití vozidla**

Pokud pracujete na vozidle, přečtěte si pečlivě následující informace:

- Testování automobilů vždy provádějte v bezpečném prostředí.
- Noste pomůcky pro ochranu očí, které splňují normy ANSI.
- Na vozidle pracujte v dobře větraném prostoru: Výfukové plyny jsou jedovaté.
- Řadicí páku umístěte do polohy P (v případě automatické převodovky) nebo do pozice N (v případě manuální převodovky) a ujistěte se, že je parkovací brzda zatažená.
- Vozidlo zajistěte umístěním bloků před hnaná kola a během testů nikdy nenechávejte vozidlo bez dozoru.
- Nepřipojujte ani neodpojujte žádné testovací zařízení, pokud je zapnuté zapalování nebo pokud běží motor.
- Přesvědčte se, že vozidlo stojí všemi koly na rovné ploše.
- Oděv, vlasy, ruce, nástroje, testovací zařízení, atd. držte v dostatečné vzdálenosti od pohyblivých nebo horkých částí motoru.

- Nepokoušejte se obsluhovat nebo pozorovat názor během řízení vozidla. Obsluha nebo pozorování nástroje řidiče během řízení vyrušuje a může dojít k vážné nehodě.
- Než začnete s kalibrací, ujistěte se, že všechny systémy vozidla fungují správně, a v ECU paměti nejsou uloženy žádné kódy poruch.
- Po ukončení kalibrace nezapomeňte vypojit diagnostické zařízení z diagnostické přípojky vozidla.

### Při použití laserových zařízení

- Laserové záření může způsobit vážné poškození zraku.
- Nedívejte se do laserového paprsku.
- Nikdy se nedívejte přímo do laserového paprsku, protože může způsobit nenávratná poškození sítnice.
- Laserový paprsek umísťujte vždy tak, aby náhodou neoslnil vás nebo ostatní.
- Laserovou vodováhu nepoužívejte v blízkosti dětí, ani je nenechte ji obsluhovat.
- Nedívejte se do laserového paprsku přes zvětšovací optická zařízení, jako je dalekohled nebo lupa, protože zvyšují úroveň poškození zraku.
- Neodstraňujte ani nepoškozujte výstražné štítky umístěné na laserovém zařízení.
- Laserovou vodováhu nerozebírejte. Laserové záření může způsobit vážná poškození zraku.
- Nepracujte s laserem ve vznětlivém prostředí, jako jsou hořlavé kapaliny, plyny nebo prach. Jiskry ze zařízení mohou způsobit vznícení.
- K očištění laserové jednotky nepoužívejte rozpouštědla.
- Jednotku neupouštějte.
- Pokud nebude laser / laserový dálkoměr delší dobu v provozu, vyjměte z něj baterie.
- Nedovolte dětem používat laserové zařízení jako hračku.
- Při instalaci laserového modulu se ujistěte, že je připevněn pevně a bezpečně.
- Přiložené brýle slouží ke zvýšení viditelnosti laserového paprsku. Neochrání váš zrak před laserovým zářením.

## URČENÉ POUŽITÍ NÁSTROJE

Kalibrační nástroj PHOENIX ADAS MOBILE je určen výhradně k použití na vozidle. Nepoužívejte nástroj mimo jeho určení. Nikdy nástroj neupravujte pro jiný účel nebo použití.

## INFORMACE O PRODUKTU

- Flexibilní a přenosný nástroj pro kalibraci asistenčních systémů ADAS vám umožňuje efektivně a přesně kalibrovat širokou škálu kamerových asistenčních systémů.
- Snadno se skládá, rozkládá a obsluhuje.



Vyrobeno v Číně  
podle specifikací TOPDON

# 1 Profil produktu

## 1.1 O systémech ADAS

Pokročilé asistenční systémy řidiče (ADAS) jsou elektronické součásti vozidel, které obsahují širokou škálu bezpečnostních prvků. Mezi ně patří autonomní nouzové brždění (AEB), varování při opuštění jízdního pruhu (LDW), asistence při udržování jízdy v jízdním pruhu, odstranění slepého úhlu, kamery pro noční vidění a adaptivní osvětlení.

Většina dopravních nehod je způsobena chybou člověka. Pokročilé asistenční systémy řidiče jsou vyvinuty tak, aby automatizovaly, přizpůsobovaly a vylepšovaly bezpečnostní prvky vozidla a celkově celé řízení vozidla. Je prokázáno, že automatizované systémy ADAS snižují počet úmrtí na silnicích. Je to díky technologiím, které upozorňují řidiče na možné problémy, zapojují bezpečnostní opatření a v krajních situacích přebírají kontrolu na vozidlem.

Ačkoliv se tyto systémy původně vyskytovaly pouze u prémiových vozidel, počet moderních vozů střední třídy a kompaktních vozů vybavených asistenčními systémy v dnešní době rychle roste.

Kamery a senzory, které tyto systémy využívají, musí být přesně zkalibrovány a nastaveny. Nesprávná kalibrace způsobená výměnou čelního skla nebo seřizením kol může vést k tomu, že systém poskytne chybné výsledky nebo úplně selže. To může mít za následek vážnou nehodu nebo dokonce smrt.

## 1.2 O nástroji PHOENIX ADAS MOBILE

### 1.2.1 Úvodní informace o produktu

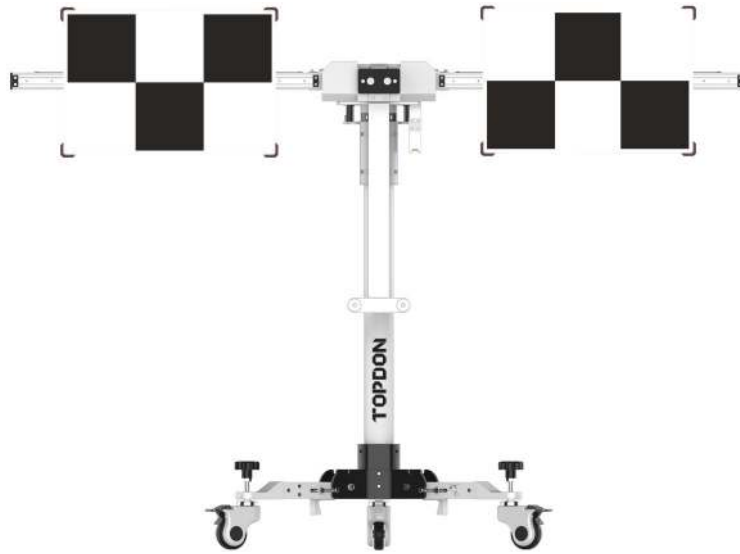
Nástroj PHOENIX ADAS MOBILE, flexibilní a přenosný nástroj pro kalibraci asistenčních systémů ADAS, vám umožňuje efektivně a přesně kalibrovat širokou škálu kamerových asistenčních systémů řízení, jako je třeba přední kamera systému varování při opuštění jízdního pruhu. Pro práci s kalibračním nástrojem PHOENIX ADAS MOBILE není nutné mít na dílně plně vybavené pracoviště pro seřizování kol ani vyrovnávanou podlahu ani plošinový výtah.

Nástroj se vyznačuje těmito klíčovými funkcemi a výhodami:

- Pohodlně se přenáší díky sklopné základně a ramenům, díky čemuž je vhodný pro venkovní kalibrace.
- Pětičárový a křížový laser pro přesné vystředění.
- Snadno se skládá, rozkládá a obsluhuje.
- Ruční páčka pro nastavení výšky dle potřeby.
- Držák vyhrazený pro uložení drobných terčů a velkých destiček se vzory.
- Vhodný pro širokou škálu automobilových značek.
- Výjimečné uživatelské prostředí pro poskytování specifických kroků pro konkrétní vozidlo doplněných o detailní nákresy.

Při provádění kalibrace systémů ADAS jsou nezbytné tyto dvě komponenty:

- Kalibrační nástroj PHOENIX ADAS MOBILE – Je určen ke kalibraci polohy snímače vozidla a terče. Skládá se z kalibračního rámu (s příčným nosníkem), pětičárového laseru, modulu křížového laseru, laserového reflektoru, pomocného zrcátka, polohovacího držáku ve tvaru L, olovnice a kalibračního panelu (dostupné v balení nebo samostatně) atd.



- Diagnostické zařízení (prodávané samostatně) – Kalibrační nástroj se zásadně provozuje společně se specifickým diagnostickým zařízením. Diagnostická zařízení od jiných dodavatelů nejsou podporována.







### 1.2.2 Obsah balení


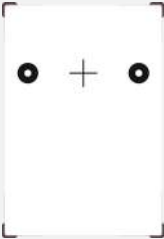




Obsah balení zkontrolujte ihned po obdržení vašeho nástroje, aby případné reklamace ohledně poškozených nebo chybějících dílů bylo možné okamžitě řešit. Příslušenství se pro různé cílové země může lišit. Pro další podrobnosti se obraťte na místní prodejce nebo se podívejte na přiložený obsah balení.











Při vybalování mějte na paměti: Těžký nástroj může upadnout a způsobit zranění. Při vybalování nástroje vždy využijte pomoc druhé osoby nebo, pokud je to nutné, použijte pomůcky, které jsou k tomu určené.








Ploška	Obrázek	Množství
Kalibrační rám		1
Pětičárový laser (LAM09-01)		1
Modul křížového laseru (LAM09-02)		1
Laserový reflektor (LAM09-03)		1
Pomocné zrcátko (LAM09-04)		1
Polohovací držák ve tvaru L (LAM09-05)		1

<p>Olovnice (LAM09-06)</p>		<p>1</p>
<p>Držák pro uložení terčů (LAM09-07)</p>		<p>1</p>
<p>Prodlužovací tyč terče – Toyota (LAM09-08)</p>		<p>1</p>
<p>Prodlužovací tyč terče – Honda (LAM09-09)</p>		<p>1</p>
<p>Laserový dálkoměr</p>		<p>1</p>
<p>Samolepka kříže</p>		<p>1</p>




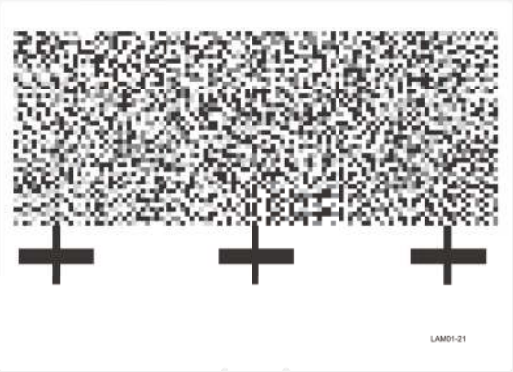
<p>Aktivační karta systému ADAS</p>		<p>1</p>
<p>Návod k obsluze</p>		<p>1</p>
<p>Kalibrační destičky s terčem/ vzorem</p>	<p>(Dostupné v různých konfiguracích balení produktu. Destičky s terči a vzory pro kalibraci systému varování při opuštění jízdního pruhu jsou součástí tohoto balení. Destičky pro kalibraci jiných systémů ADAS je nutné koupit samostatně. Podrobnosti o obsahu balení naleznete v kapitole Sada vzorů a terčů.)</p>	
<p>LAM01-01 Benz-LDW</p>		<p>1</p>
<p>LAM01-02 VW-LDW</p>		<p>1</p>
<p>LAM01-04-L Honda-LDW</p>		<p>1</p>
<p>LAM01-04-R Honda-LDW</p>		<p>1</p>
<p>LAM01-06-1 Toyota-LDW</p>		<p>1</p>

<p>LAM01-06-2 Toyota-LDW</p>		<p>1</p>
<p>LAM01-06-3 Toyota-LDW</p>		<p>1</p>
<p>LAM01-07-L Nissan-LDW</p>		<p>1</p>
<p>LAM01-07-R Nissan-LDW</p>		<p>1</p>
<p>LAM01-09 Hyundai/Kia-LDW</p>		<p>1</p>
<p>LAM01-10 Mazda-LDW</p>		<p>1</p>
<p>LAM01-12-L Nissan/Renault-LDW</p>		<p>1</p>
<p>LAM01-12-R Nissan/Renault-LDW</p>		<p>1</p>



<p>LAC01-13 Hyundai-LDW</p>		<p>1</p>
<p>LAM01-15 Subaru-LDW</p>		<p>1</p>
<p>LAM01-16-L Mazda-LDW</p>		<p>1</p>
<p>LAM01-16-R Mazda-LDW</p>		<p>1</p>
<p>LAM01-17 Honda-LDW</p>		<p>1</p>
<p>LAM01-18-L Suzuki-LDW</p>		<p>1</p>
<p>LAM01-18-R Suzuki-LDW</p>		<p>1</p>



<p>LAM01-19-L Mitsubishi-LDW</p>		<p>1</p>
<p>LAM01-19-R Mitsubishi-LDW</p>		<p>1</p>
<p>LAM01-20 Honda-LDW</p>		<p>1</p>
<p>LAM01-21 Subaru-LDW</p>		<p>1</p>

## 1.3 Součásti a ovládání

Kalibrační nástroj PHOENIX ADAS MOBILE obsahuje zejména následující položky a součásti:

### 1.3.1 Kalibrační rám

Kalibrační rám se skládá z následujících součástí:

**A – Pravé rameno**

opatřené pravítkem a polohovací destičkou pro uchycení destiček s terči.

**B – Polohovací držák pro destičky se vzory**

opatřený vodováhou, dvěma bezpečnostními západkami pro zajištění ramen a fixačním držákem modulu křížového laseru.

**C – Zvedák**

**D – převodovka a ruční klika**

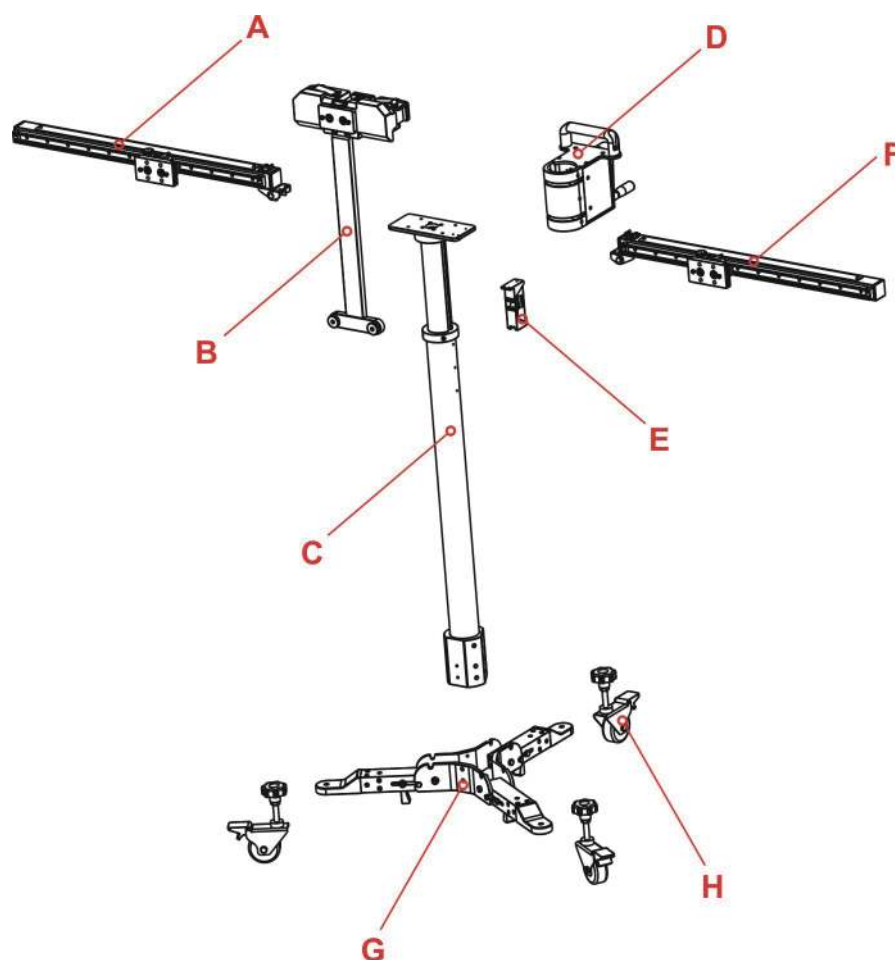
pro nastavení výšky zvedáku.

**E – Laserový dálkoměr**

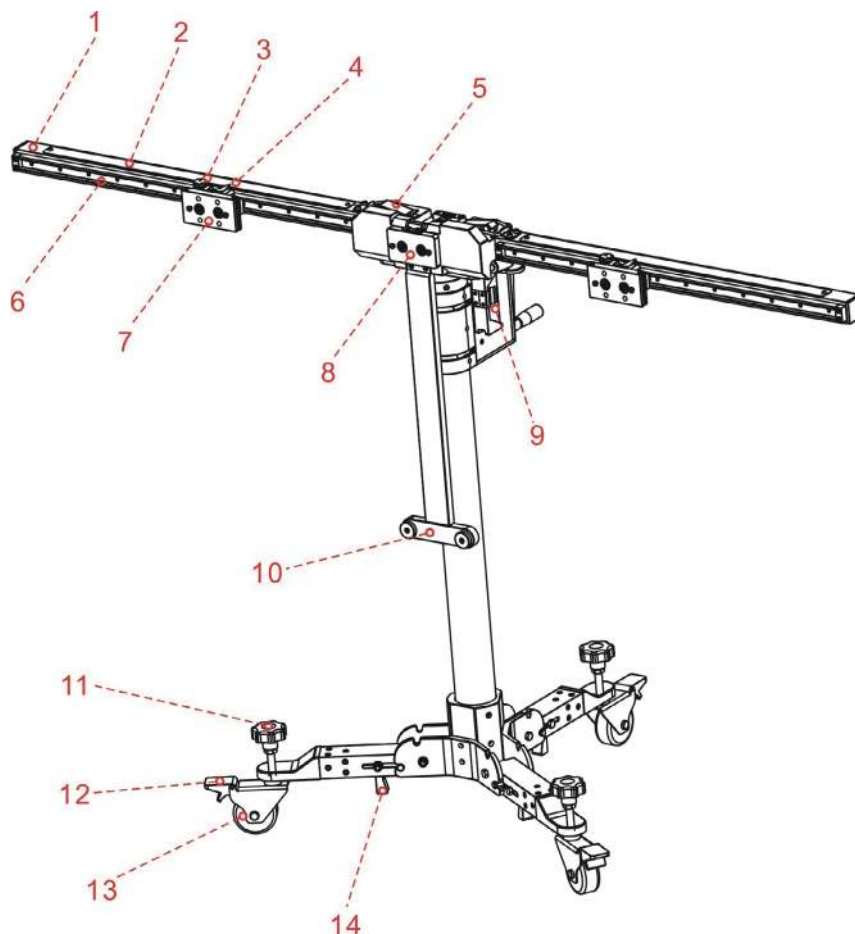
**F – Levé rameno (stejně jako pravé)**

**G – Držák základny**

**H – Všesměrová kolečka**



Pohled zepředu



1. Pravé rameno

2. Právítko\*

3. Nastavovací šroub\*

Slouží k zajištění polohovací destičky.

Když je uvolněn, může být s polohovací destičkou (7) volně pohybováno v mezích posuvné kolejnice.



Při rozkládání levého/právého ramene dotáhněte nastavovací šroub, abyste zabránili samovolnému posunu polohovací destičky (7), protože by mohla způsobit zranění.

4. Ryska pravítka\*

5. Bezpečnostní západka\*

Zamyká/odemyká pohyb ramen. Pokud je odemknutá, mohou být ramena složena pro snazší manipulaci s nástrojem.

6. Posuvná kolejnice pro polohovací destičku\*

7. Polohovací destička\*

Slouží k zajištění destiček s terči / prodlužovacích tyčí.

Na polohovací destičce se nachází dva VELKÉ otvory a dva MALÉ otvory. Před expedicí je každý VELKÝ otvor opatřen magnetem, který slouží k přichycení kovového plátu k destičce s terčem. V každém MALÉM otvoru je vložen závěsný háček, který slouží k zajištění destičky s terčem nebo prodlužovací tyče. Při instalaci destičky s terčem nebo prodlužovací tyče,

zarovnejte připojovací otvory se dvěma malými otvory a zavěste je na závěsné háčky.

#### 8. Polohovací destička / Magnetická destička

pro připevnění laseru Slouží k zajištění destiček se vzory / připevnění modulu křížového laseru. Při instalaci velké destičky se vzorem by polohovací destička měla být ve zdvižené poloze, aby byla zajištěna správná instalace destičky se vzorem.

#### 9. Laserový dálkoměr

Slouží ke změření výšky středu destičky se vzorem od země.



Na diagnostickém zařízení je nastavena správná tolerance kalibrační výšky pro každé vozidlo. Během kalibrace je nutné, aby výška na obrazovce dálkoměru byla stejná, jako je na diagnostickém zařízení.

#### 10. Držák destičky se vzorem

Podpírá spodní část destičky se vzorem.

#### 11. Vyrovnávací šroub

Otáčejte šrouby, dokud bublinky ve vodovaze (16) kalibračního rámu nebudou vystředěné.

#### 12. Mechanismus parkovací brzdy

Sešlápněte jej k zajištění koleček (13), abyste zabránili jejich pohybu.

#### 13. Všesměrová kolečka

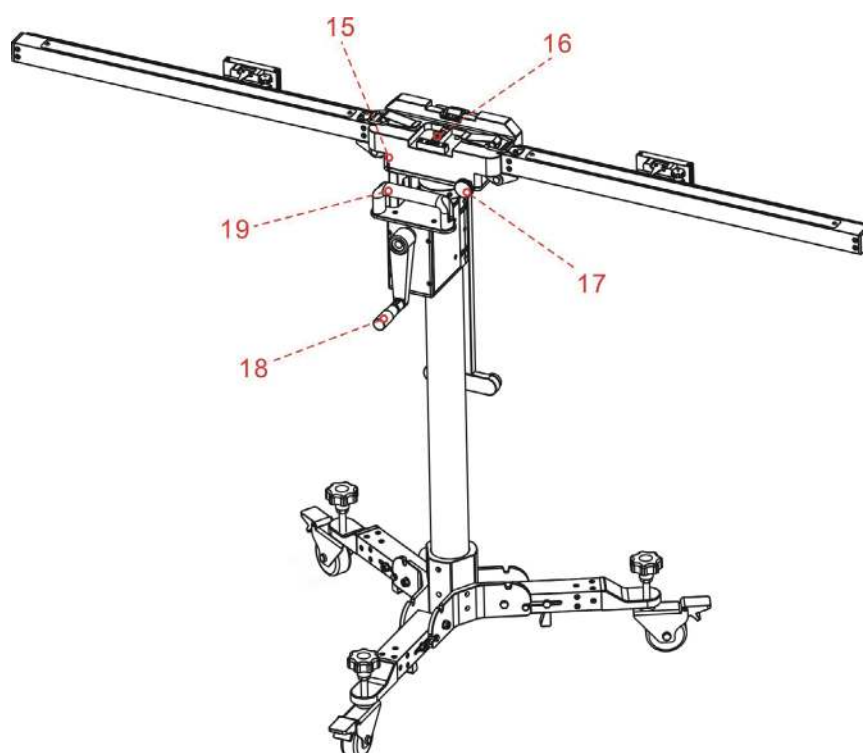
#### 14. Upínací páka

Ovládá složení/rozložení držáku základny.



Všechny součásti označené \* jsou na levém rameni stejné.

Pohled zezadu



**15. Vyznačené červené čáry**

Když je kalibrační rám rozložený, měla by být horní čára zarovnaná s dolní čárou.  
Pokud zarovnané nejsou, otáčejte šroubem jemného dorovnání (17), dokud se nezarovnají.

**16. Vodováha**

Slouží ke kontrole, jestli kalibrační rám stojí na rovném povrchu.

**17. Šroub jemného dorovnání**

Otáčejte šroubem pro otočení ramen kolem středové osy rámu.

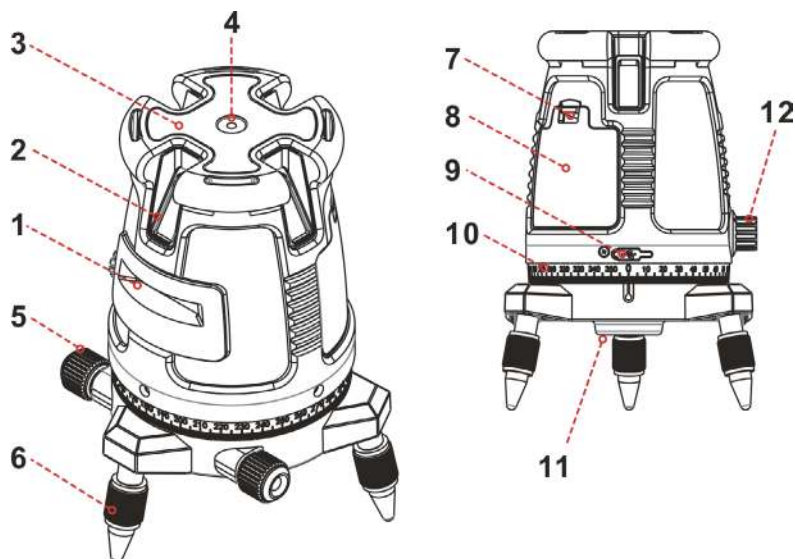
**18. Ruční klika**

pro nastavení výšky zvedáku.

**19. Rukojeť**

**1.3.2 Pětičárový laser (LAM09-01)**

Pětičárový laser slouží k zaměření laserových paprsků v pěti směrech pro správné umístění kalibračního rámu vůči vozidlu.



1. Výstupní okénko vodorovného laseru

2. Výstupní okénko svislého laseru

3. Tlačítka\*

4. Vodováha

5. Otočný šroub pro jemné nastavení

6. Nastavitelné opěrné nožky

7. Kryt baterie

8. Příhrádka na baterii

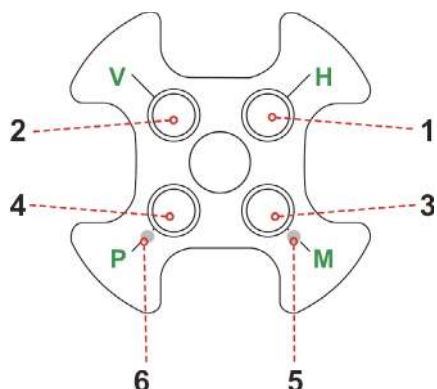
9. Konektor pro nabíjení

10. Úhloměr

11. Adaptér s 5/8" závitem na stativ

12. Bezpečnostní pojistka kyvadla

\*Tlačítka

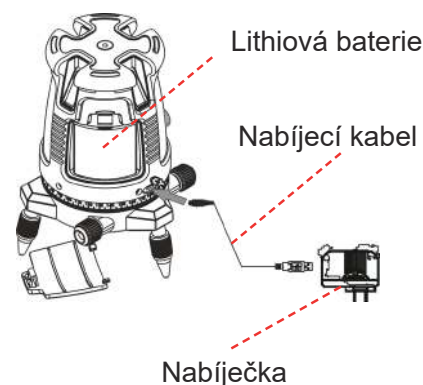


1. Tlačítko vodorovné čáry
2. Tlačítko svislých čar
3. Tlačítko manuálního režimu
4. Tlačítko pulzního režimu
5. Červená LED kontrolka manuálního režimu
6. Zelená LED kontrolka pulzního režimu

Toto zařízení může být napájeno buď určenou lithium-iontovou baterií nebo pomocí 4 alkalických baterií typu AA. alcalinas AA.

#### Instalace lithium-iontové baterie

1. Stiskněte západku krytu a vyjměte kryt baterie.
2. Lithium-iontovou baterii vložte tak, aby její kontakty směřovaly proti dvěma kontaktním kolíkům uvnitř přihrádky na baterii.
3. Vložte kryt baterie zpět.
4. K nabíjení Li-Polymerové baterie používejte standardní  $5V \pm 5\%$  (1 A–2 A) nabíječku s micro USB konektorem.
5. Nabíjecí baterii lze nabíjet vně i uvnitř přihrádky na baterii laseru.
6. Před prvním použitím laserového zařízení nabíjete baterii alespoň po dobu dvou hodin.

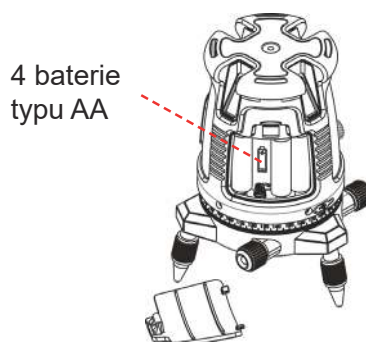


**!** Upozornění:

- Nepoužívejte poškozenou nabíječku baterií.
- Vestavěnou lithiovou baterii lze vyměnit pouze u dodavatele. Nesprávná výměna nebo manipulace s baterií může způsobit explozi.

#### Instalace 4 baterií typu AA

1. Stiskněte západku krytu a vyjměte kryt baterie.
2. Vložte 4 nové baterie typu AA stejné značky podle nákresu polarity uvnitř přihrádky na baterie.
3. Vložte kryt baterie zpět.





## Upozornění:

Baterie se mohou časem znehodnotit, vytéct nebo explodovat a způsobit zranění nebo požár.

1. Nezkratujte vývody baterií.
2. Nenabíjejte alkalické baterie.
3. Nekombinujte nové a použité baterie.
4. Použité baterie nevyhazujte do komunálního odpadu.
5. Nevhazujte baterie do ohně.
6. Poškozené nebo vybité baterie musí být zlikvidovány v souladu s místními předpisy.
7. Baterie uchovávejte mimo dosah dětí.



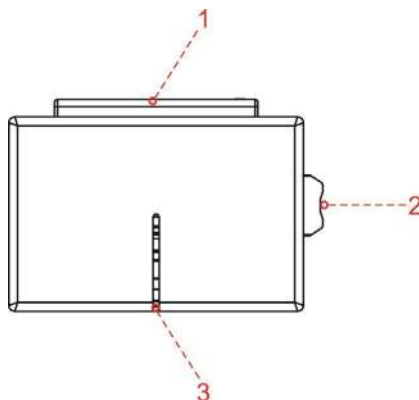
Pokud laserovou vodováhu delší čas nepoužíváte, vyjměte baterie z přihrádky. Zabráníte tím vytečení baterií a poškození v důsledku koroze.

## Technické parametry:

Výstupní vzory laserového paprsku	<ul style="list-style-type: none"> <li>• Vodorovné a dopředně svislé křížové paprsky</li> <li>• Vodorovné, dopředné a zpětné svislé paprsky</li> <li>• Vodorovné a 4 ortogonální svislé paprsky. Při zapnutém svislém paprsku se objeví tečka svisle dolů.</li> <li>• Vodorovný paprsek</li> </ul>
Rozsah laseru	<ul style="list-style-type: none"> <li>• Uvnitř – 30 m (100 ft)</li> <li>• Venku s použitím detektoru – 60 m (200 ft)</li> </ul>
Přesnost Přesnost (Svislé tečky)	±0,2 mm/m (±0,0002 in/in) ±1 mm/1,2 m
Úhel promítání kříže	120°±5°
Samonivelační rozsah	±2.5°
Šířka laserové čáry	2 mm ±0,5 mm/5 m (0,10" ±0,02" při 20')
Vlnová délka	520 ±10 nm – Třída laseru II
Napájení	Li-Polymerová baterie nebo 4 alkalické baterie typu AA (nejsou součástí balení)
Životnost baterie	Při použití Li-Polymerové baterie až 2,5 hodiny nepřetržitého provozu Při použití 4 alkalických baterií typu AA až 5 hodin
Provozní teplota.	-10° C ~ +45° C (14°F ~ +113°F)
Skladovací teplota.	-20° C ~ +60° C (-4°F ~ +140°F)
Odolnost vůči vodě a prachu	IP54
Rozměry	ø150 mm x 195 mm (ø6" x 8")
Hmotnost bez baterií	1250 g ±10 g (2,75 lbs ±0,35 oz)

### 1.3.3 Modul křížového laseru (LAM09-02)

Při seřizování kalibračního rámu do jedné roviny s vozidlem lze použít modul křížového laseru. Ten by měl být připevněn na magnetickou destičku pro připevnění laseru (8) kalibračního rámu.



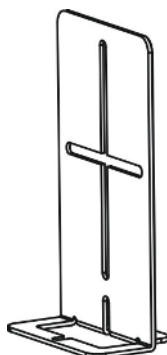
1. Kryt baterie
2. Přepínač
3. Štěrbina laseru

Instalace 2 baterií typu AAA

1. Otevřete kryt baterií.
2. Vložte 2 nové baterie typu AAA stejné značky podle nákresu polarity uvnitř přihrádky na baterie.
3. Vložte kryt baterie zpět.

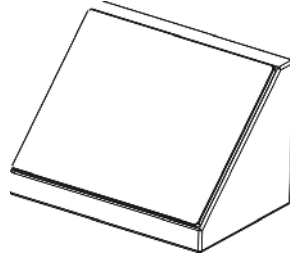
### 1.3.4 Laserový reflektor (LAM09-03)

Laserový reflektor se používá ke správnému umístění středové čáry pomocí kontroly, že jsou přední a zadní středové body vozidla na jedné čáře.



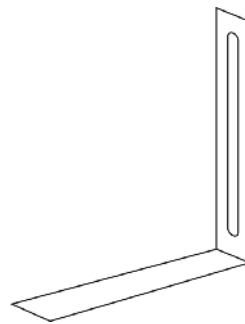
### 1.3.5 Pomocné zrcátko (LAM09-04)

Pomocné zrcátko se používá ke správnému umístění středové čáry tím, že zajistí, aby byly přední a zadní středové body vozidla na jedné čáře.



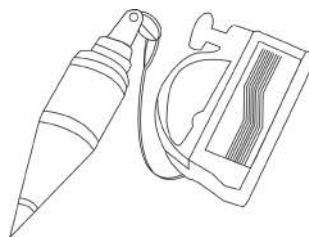
### 1.3.6 Polohovací držák ve tvaru L (LAM09-05)

Polohovací držák ve tvaru L pomáhá při určení středu předních kol, aby bylo možné správně umístit kalibrační rám.



### 1.3.7 Olovnice (LAM09-06)

Olovnice se používá k určení předních a zadních středových bodů vozidla. To pomáhá ke správnému umístění pětičárového laseru a laserového reflektoru.



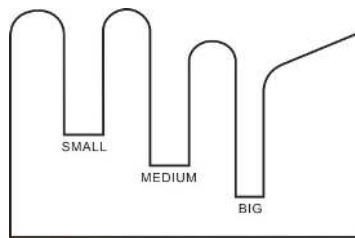
### 1.3.8 Držák pro uložení destiček s terčí (LAM09-07)

Úložný držák slouží ke skladování malých destiček s terčí a velkých destiček se vzory, pokud se zrovna nepoužívají.



Skládá se ze dvou úložných boxů a dvou spojovacích ložisek. Před použitím se ujistěte, že jsou spojovací ložiska mezi úložnými boxy dotažená.

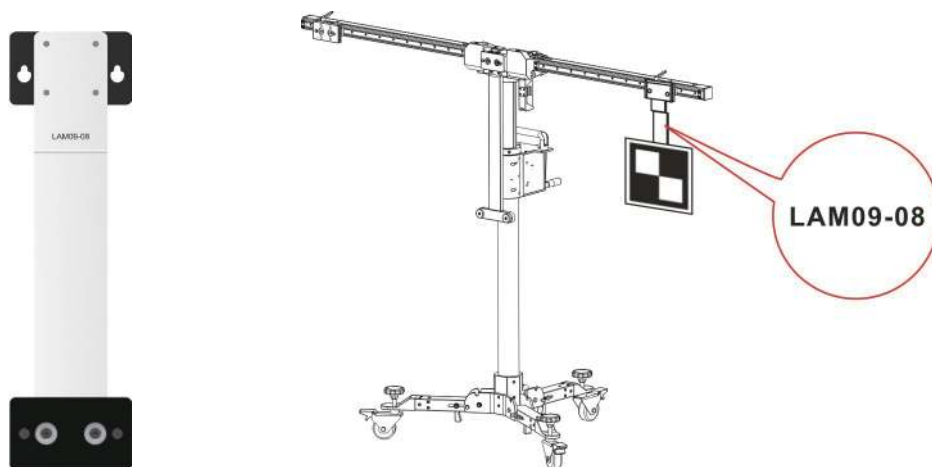
Pro maximální využití úložného držáku doporučujeme do předepsaných pozic (podle popisu na boční straně držáku) ukládat nejčastěji používané destičky s terčí. Ostatní, méně používané destičky s terčí mohou být uloženy v hliníkovém boxu na nářadí.



### 1.3.9 Prodlužovací tyč terče – Toyota (LAM09-08)

Výška kalibračního rámu je v základu navržena tak, aby splňovala požadavky na kalibraci většiny vozidel. Pro některá vozidla s nižší kalibrační výškou je však nutné použít prodlužovací tyč terče.

Tato prodlužovací tyč se používá pro kalibraci systému LDW některých vozidel značky Toyota. Je třeba ji upevnit na polohovací destičku (7) a destičku s terčem pak upevnit na tuto tyč.



### 1.3.10 Prodlužovací tyč terče – Honda (LAM09-09)

Šířka kalibračního rámu je v základu navržena tak, aby splňovala požadavky na kalibraci většiny vozidel. Pro některá vozidla se širším kalibračním rozpětím je však nutné použít prodlužovací tyč terče.

Tato prodlužovací tyč se používá pro kalibraci systému LDW některých vozidel značky Honda. Je třeba ji upevnit na polohovací destičku (7) a destičku s terčem pak upevnit na tuto tyč.



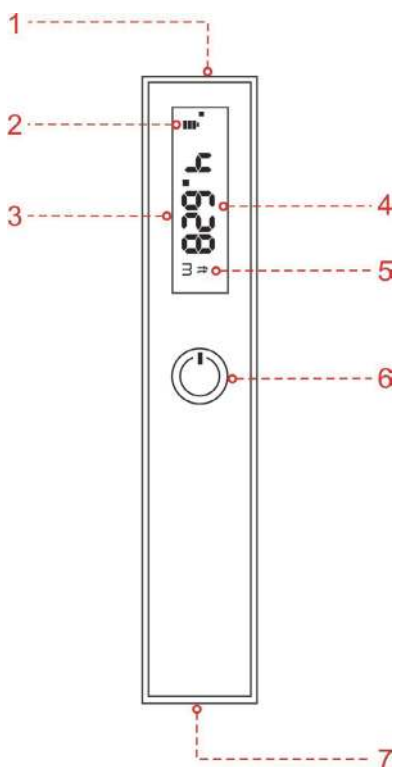
### 1.3.11 Laserový dálkoměr

Laserový dálkoměr se používá k měření výšky destičky s terčem/vzorem od země.

Jelikož se laserový dálkoměr nenachází na stejné výškové úrovni jako destička s terčem/vzorem, je v kalibračním softwaru ADAS přednastavena přesná hodnota tolerance a ze strany uživatele tak nejsou vyžadována žádná další nastavení ani výpočty. Při měření výšky stačí pouze provést kalibraci podle pokynů na obrazovce.



Jedná se o laser třídy 2 podle normy IEC 60825-1:2014. Zařízení ani baterie nesmí být vyhozeny do komunálního odpadu.



1. Laser



Upozornění: Nedívejte se přímo do laserového paprsku ani s ním nemiřte na ostatní.

2. Ukazatel stavu baterie

3. Obrazovka

4. Výsledek měření

5. Jednotka měření

Pro změnu jednotky měření stiskněte třikrát  tlačítko NAPÁJENÍ.

6.  Tlačítko NAPÁJENÍ

Dlouhý stisk – Zapnout/vypnout dálkoměr.

Krátký stisk – Zahájit/pozastavit měření.

7. Příhrádka na baterii

Technické parametry:

Rozsah	0,1~25 m (0,33~82 ft)
Přesnost	±1/152 ft
Třída laseru	2
Typ laseru	635–650 mm, výkon < 1 mW
Baterie	2 baterie typu AAA nebo lithiová baterie
Rozměry	4 x 1,4 x 0,7 in (100 x 35 x 18 mm)
Provozní teplota	14°F ~ 104°F / -10°C ~ 40°C

## 2 První použití

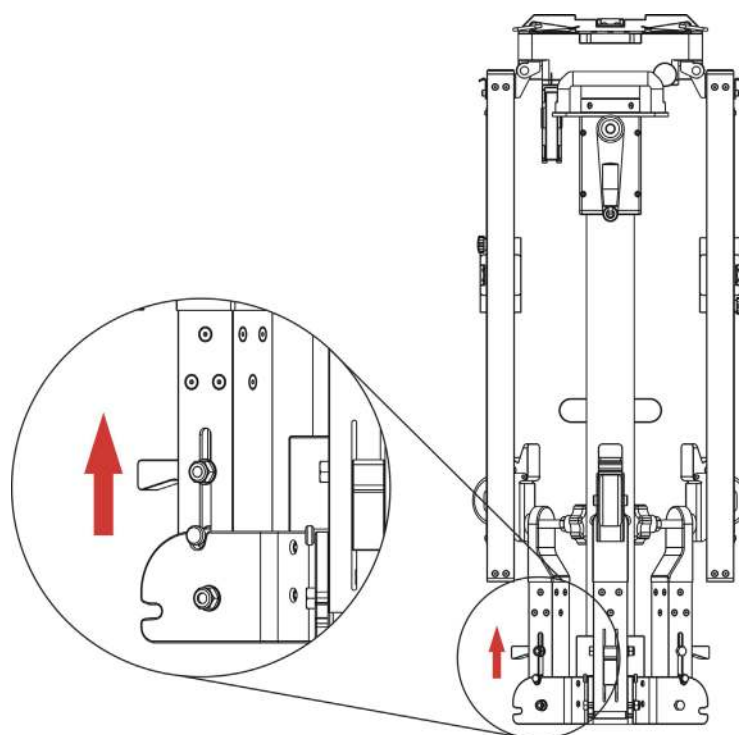
### 2.1 Umístění kalibračního rámu

Pro snazší přepravu je rám ve složeném stavu. Pro jeho rozložení postupujte podle pokynů níže.

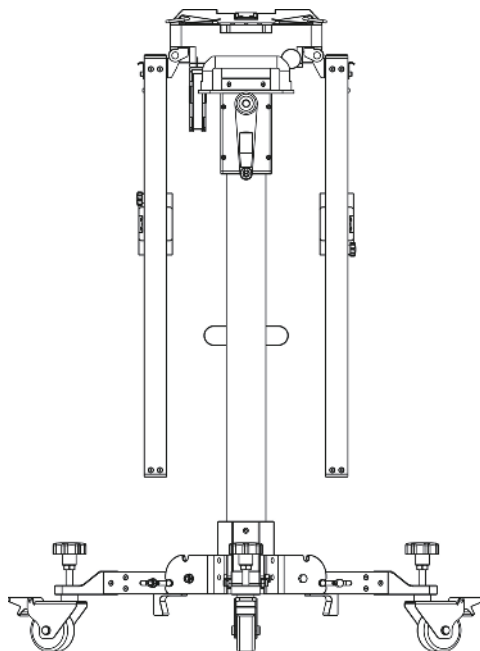


Těžký nástroj se může naklonit a způsobit zranění. Při rozkládání nástroje vždy využijte pomoc druhé osoby.

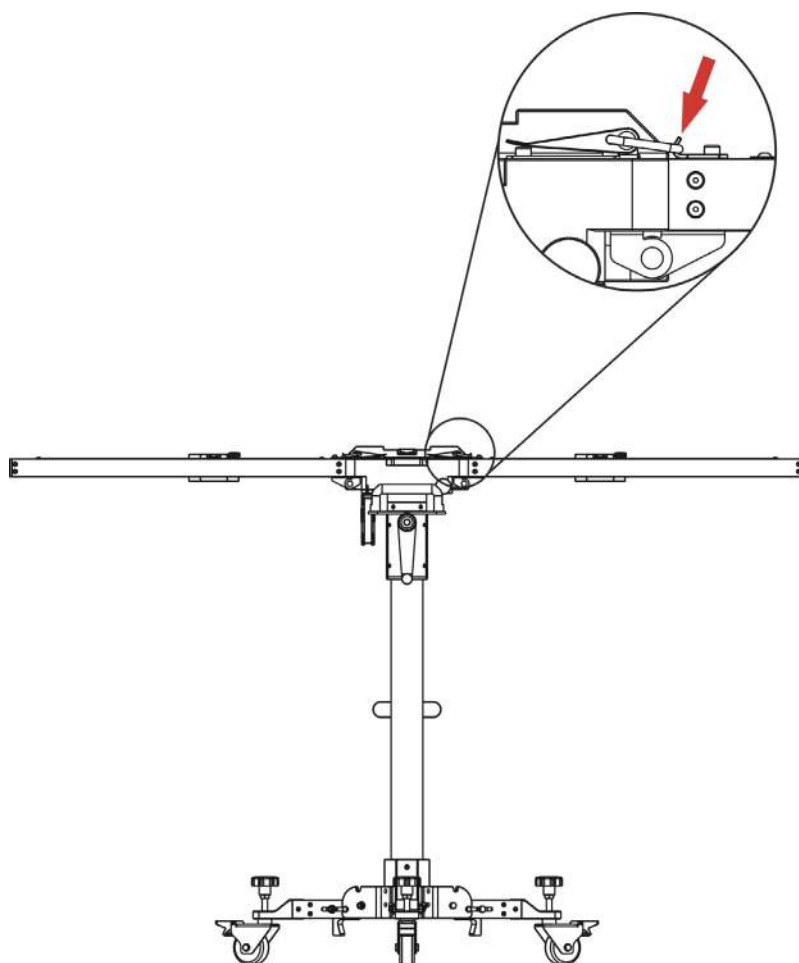
1. Vyjměte kalibrační rám a postavte jej na rovnou zem.
2. Zatlačte páčku (14) nahoru, jak je zobrazeno na nákresu níže a sklopte kolečka (13) k zemi.



3. Opakujte krok 2 i pro zbývající dvě kolečka.
4. Chytněte rukojeť (19) a zvedněte rám kousek nad zem. Kolečka se automaticky plně rozloží a pevně dosednou na zem. Potom můžete rám položit.



5. Pravé rameno (1) zvedněte nahoru, dokud není zcela přitlačené k polohovacímu držáku (B) a zajistěte jej pomocí bezpečnostní západky (5).



Během tohoto kroku dávejte pozor, abyste si mezi pohyblivé části neskřípli ruce.

6. Opakujte krok 5 pro rozložení levého ramena.

## 2.2 Aktivace funkce systému ADAS

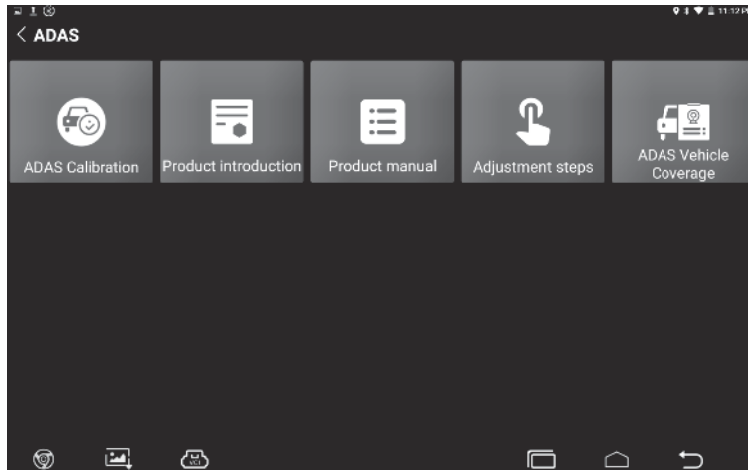
Ve výchozím nastavení má předinstalovaný software diagnostického zařízení zakázanou funkci kalibrace. Aby bylo možné funkci kalibrace diagnostického softwaru používat, je nejdříve nutné aktivovat kartu s pinem a tím funkci kalibrace diagnostického zařízení (prodávaného samostatně) odemknout.

Aktivaci proveďte podle pokynů níže.



Různá diagnostická zařízení využívají pro přístup k funkci systému ADAS jiný postup. Podrobné informace naleznete v uživatelské příručce konkrétního zařízení.

1. Stisknutím tlačítka [NAPÁJENÍ] na diagnostickém zařízení jej zapněte.
2. Přejděte na „Toolbox“ -> „ADAS“ a očitnete se na obrazovce níže:



Obrázek je pouze ilustrační. Každý produkt je odlišný.

3. Klepněte na „Kalibrace ADAS“ a otevře se okno pro aktivaci ADAS.

A screenshot of the ADAS activation screen. It features a light gray background with several input fields and a button. At the top, there is a label: 'Please choose the device serial number to activate the ADAS software:'. Below this is a dropdown menu. The next label is: 'Please enter the ADAS Activation Card password:'. Below that is an 'Activation Code' input field. At the bottom of the form is a large gray button labeled 'ACTIVATE'.

4. Na aktivační kartě seškrábněte ochrannou vrstvu. Pod ní najdete 24-místný kód, který zadejte v aktivačním okně.

5. Nyní je funkce ADAS přístupná a připravená k použití.

## 2.3 Základní proces kalibrace systému LDW

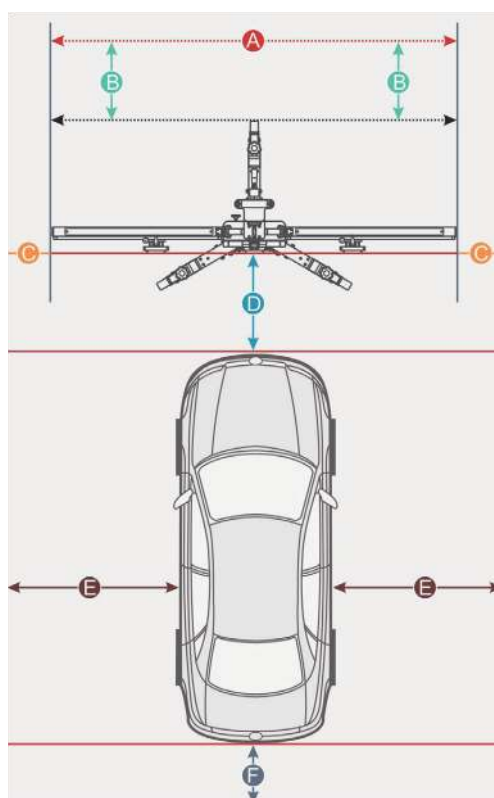
### 2.3.1 Podmínky pro použití nástroje PHOENIX ADAS MOBILE

Při použití nástroje PHOENIX ADAS MOBILE dbejte na následující:

- Systémy vozidla jsou funkční.
- V ECU paměti nejsou uloženy žádné kódy poruch.
- Máte připravený referenční vzor kalibrace pro konkrétní vozidlo.
- Je vyžadováno diagnostické zařízení k doplnění kalibrace systému ADAS (prodávané samostatně).
- Rozchod přední a zadní nápravy je správně nastaven.
- Aby byla kalibrace přesná, zajistěte, že jsou splněny požadavky na pracoviště (viz kapitoly 2.4.1.1–2.4.1.3).

#### 2.3.1.1 Velikost pracoviště

A. Pro přední kamery



Rozměr A = rozpětí ramen rámu

Rozměr B = přibližně 1 m / 39,4 in (vzdálenost rámu od zdi)

Rozměr C = alespoň 0,5 m / 19,7 in (vzdálenost okraje rámu od jiných překážek)

Rozměr D = liší se v závislosti na vozidle. Doporučuje se přibližně 1,5 m / 59 in (vzdálenost kalibračního panelu od vozidla)

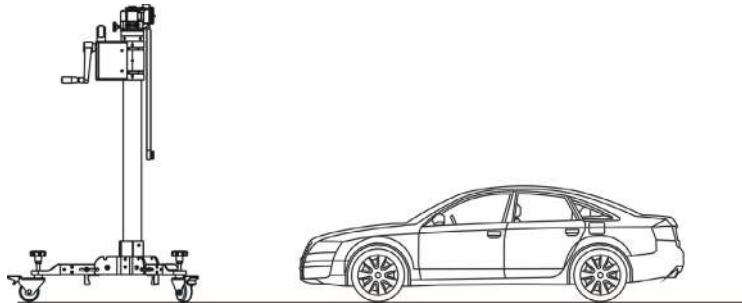
Rozměr E = přibližně 1 m / 39,4 in (vzdálenost vozidla od jiných překážek)

Rozměr F = alespoň 0,5 m / 19,7 in (prostor vyhrazený pro chůzi technika)

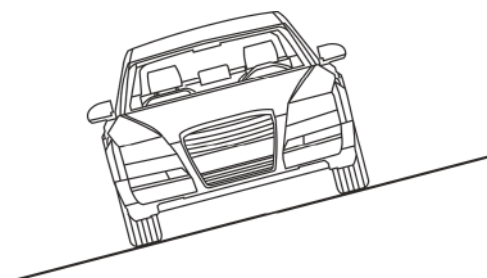
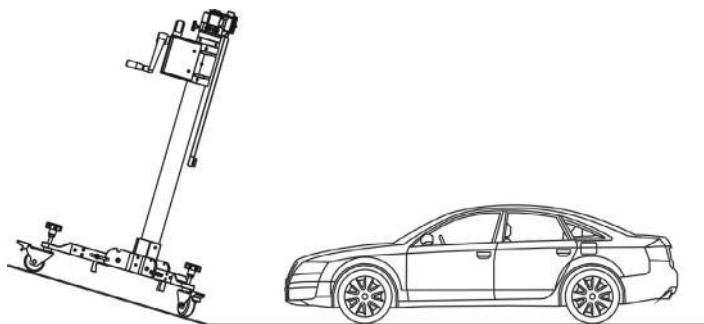
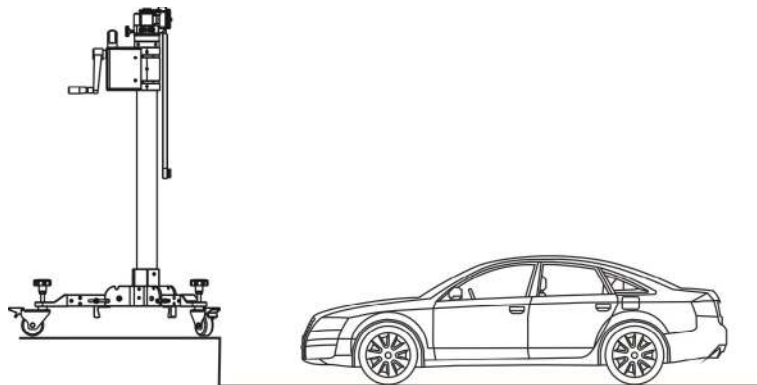
2.3.1.2 Podlaha pracoviště

Přesvědčte se, že vozidlo stojí všemi koly na rovné ploše.

Správně:



Nesprávně:



### 2.3.1.3 Osvětlení pracoviště

- Osvětlení v okolí kalibračního pracoviště by mělo být neblíkající. Mimo jiné například: LED světla, průmyslové osvětlení vyhovující mezinárodním standardům, dvojitý světelný zdroj v opačných fázích.
- Odstraňte přímé zdroje světla ze zorného pole kamery, jinak kamera automaticky sníží expozici. Tím dojde ke ztmavení pořízeného kalibračního vzoru, což nepříznivě ovlivňuje kalibraci.
- Zdroj světla volte tak, aby nezpůsobil odrazy na kalibračním panelu.
- Zdroj světla by měl na celém kalibračním pracovišti zajišťovat rovnoměrné rozložení osvětlení.
- Je důležité zajistit, aby se během kalibrace neměnila intenzita osvětlení, ani jiných zdrojů světla v okolí pracoviště. Například zapnutá světla vozidla atd.

### 2.3.2 Proces kalibrace

Proces kalibrace by měl probíhat zásadně podle pokynů na obrazovce diagnostického zařízení. Pro některé modely vozidel nejsou kalibrační vzory a kalibrační nástroje nutné. Kalibraci některých kamerových systémů ADAS však bez použití kalibračních vzorů a kalibračních nástrojů nelze provést. V takovém případě je nutné, aby umístění kalibračního nástroje a vozidla provedl uživatel ručně.

Při práci s nástrojem PHOENIX ADAS MOBILE jsou vyžadovány následující kroky:

1. Určete středovou linii vozidla.
2. Určení umístění nástroje PHOENIX ADAS MOBILE.
3. Umístění nástroje PHOENIX ADAS MOBILE.
4. Seřídte nástroj PHOENIX ADAS MOBILE do jedné roviny s vozidlem.
5. Vyberte a nainstalujte správnou destičku s terčem/vzorem na nástroj PHOENIX ADAS MOBILE.
6. Nastavte výšku destičky s terčem/vzorem.

Nezbytné příslušenství:

- Pětičárový laser LAM09-01
- Modul křížového laseru LAM09-02
- Laserový reflektor LAM09-03
- Pomocné zrcátko LAM09-04
- Polohovací držák ve tvaru L LAM09-05
- Olovnice LAM09-06

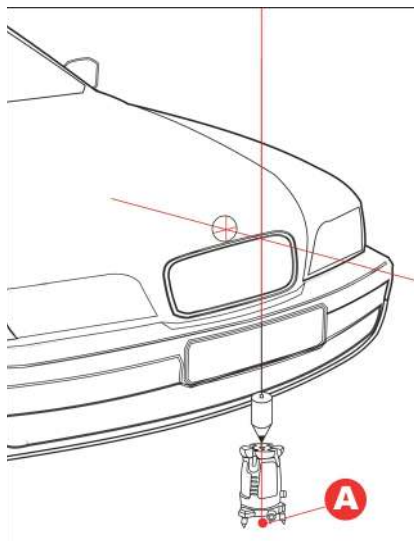
#### 2.3.2.1 Určení středové linie vozidla

1. Zavěste olovnici LAM09-06 proti středu předního znaku vozidla a nechte ji se přirozeně svésit k zemi. Na zemi přímo pod olovnicí vyznačte přední středový bod vozidla (Bod A).



Několikrát prsty lehce zatřeste provázkem, aby jste se ujistili, že je kolmý k zemi.

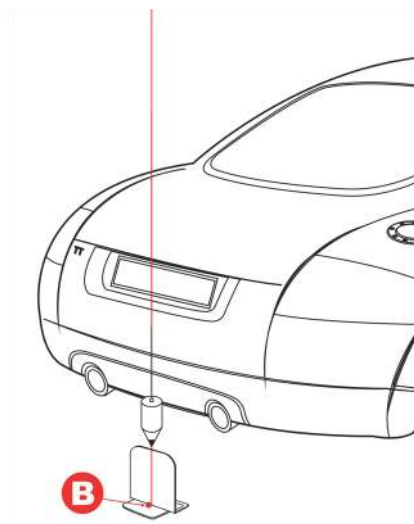
---



2. Umístěte pětičárový laser LAM09-01 na bod A (stranou laseru s logem proti směru jízdy), abyste se ujistili, že je červená tečka na pouzdře zarovnaná s bodem A.
3. Zavěste olovnici LAM09-06 proti středu zadního znaku vozidla a nechte ji se přirozeně svěsit k zemi. Na zemi přímo pod olovnicí vyznačte zadní středový bod vozidla (Bod B).



Několikrát prsty lehce zatřeste provázkem, aby jste se ujistili, že je kolmý k zemi.

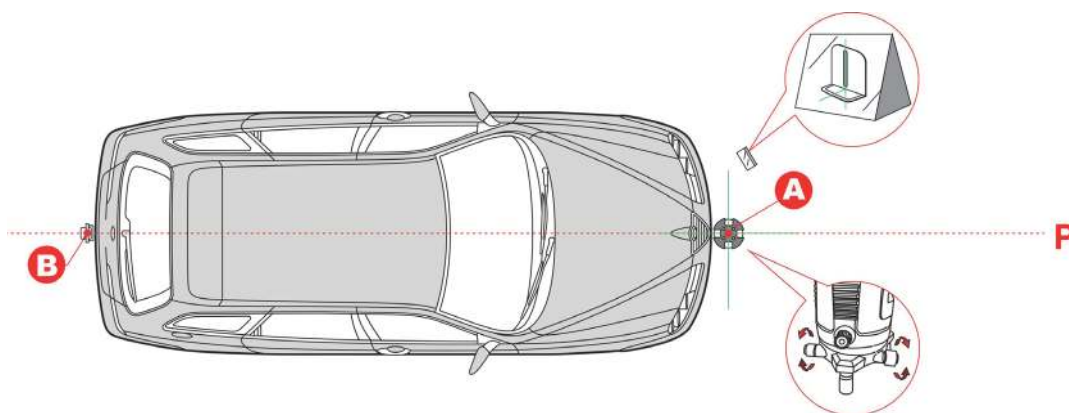


4. Laserový reflektor LAM09-03 umístěte paralelně s vozidlem a ujistěte se, že je jeho reflexní pruh zarovnaný s bodem B.
5. Před vozidlo umístěte pomocné zrcátko LAM09-04.
6. Ujistěte se, že je pětičárový laser LAM09-01 vyrovnaný a zapněte laserové paprsky pětičárového laseru LAM09-01.



Pokud je podvozek vozidla příliš nízký a petičárový laser LAM09-01 pod něj nelze umístit, tak jej posuňte kousek dále od znaku vozidla.

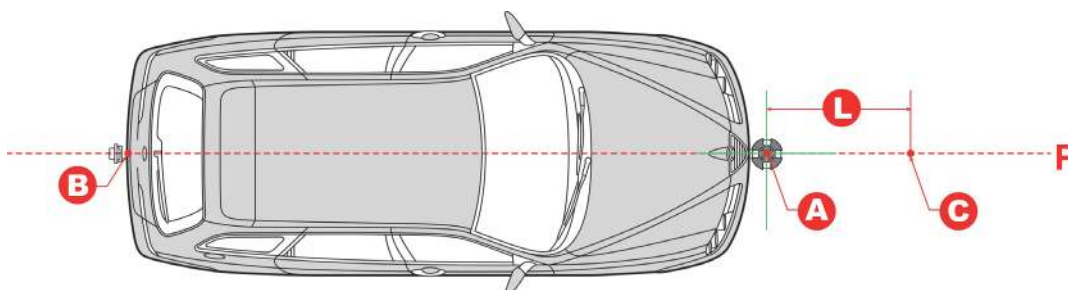
7. Pomocí pomocného zrcátka LAM09-04 sledujte polohu laserového paprsku. Na pětičárovém laseru LAM09-01 otáčejte šroubem jemného dorovnání (5) a zarovnejte podélný laserový paprsek s reflexním pruhem laserového reflektoru LAM09-03.



### 2.3.2.2 Určení umístění nástroje PHOENIX ADAS MOBILE

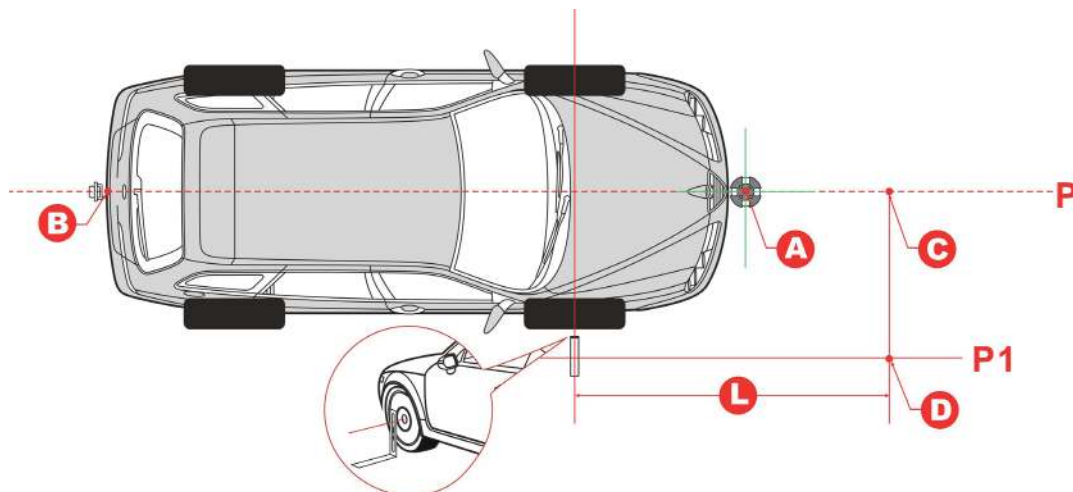
Umístění nástroje PHOENIX ADAS MOBILE se liší podle toho, jaké vozidlo je zrovna servisováno. Pro správné určení polohy se vždy řiďte pokyny na obrazovce. Obecně přicházejí v úvahu tyto možnosti:

A. Měřicí destička s terčem/vzorem umístěná směrem k přednímu nárazníku Před bodem A vyznačte na středové linii bod C. Dbejte na to, aby vzdálenost (L) mezi body A a C odpovídala hodnotě zobrazené na obrazovce aplikace s pokyny.



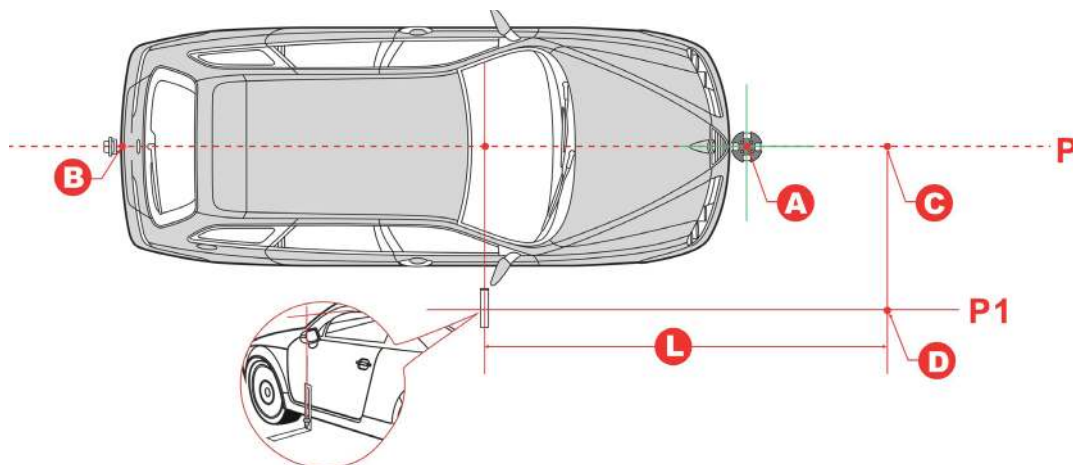
B. Měřicí destička s terčem/vzorem umístěná u náboje předního kola

1. Umístěte polohovací držák ve tvaru L LAM09-05 před náboj předního kola.
2. Před polohovací držák ve tvaru L vyznačte bod D. Dbejte na to, aby vzdálenost (L) mezi bodem D a polohovacím držákem ve tvaru L odpovídala hodnotě zobrazené na obrazovce aplikace s pokyny.
3. Na středové linii vyznačte bod C tak, aby úsečka z bodu C do bodu D byla kolmá ke středové linii P.



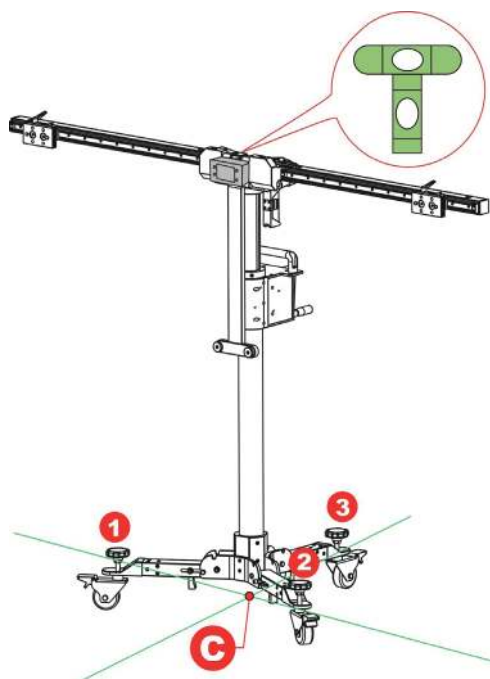
### C. Měřicí destička s terčem/vzorem umístěná u přední kamery

1. Umístěte polohovací držák ve tvaru L LAM09-05 vedle boční strany vozidla, abyste jej mohli zarovnat s kamerou.
2. Před polohovací držák ve tvaru L vyznačte bod D. Dbejte na to, aby vzdálenost (L) mezi bodem D a polohovacím držákem ve tvaru L odpovídala hodnotě zobrazené na obrazovce aplikace s pokyny.
3. Na středové linii vyznačte bod C tak, aby úsečka z bodu C do bodu D byla kolmá ke středové linii P.



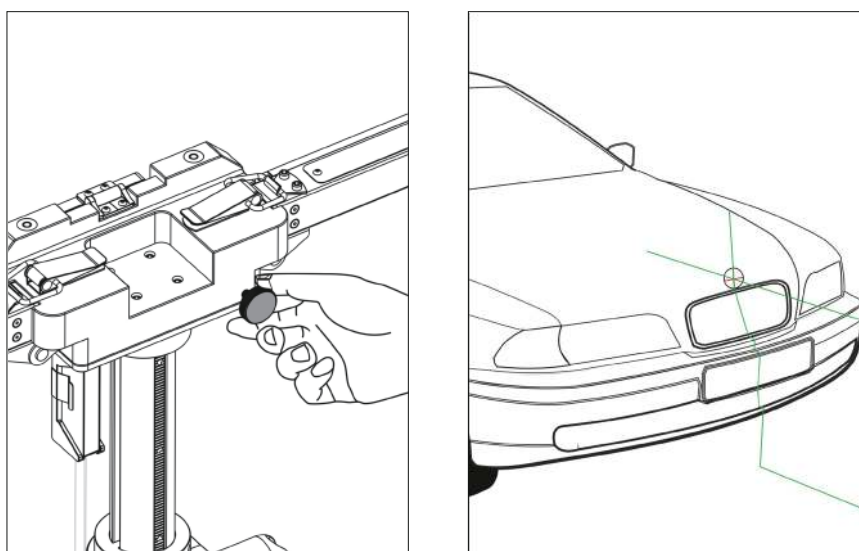
### 2.3.2.3 Umístění nástroje PHOENIX ADAS MOBILE

1. Umístěte modul křížového laseru LAM09-02 do blízkosti magnetické středové polohovací destičky kalibračního rámu tak, aby výstup paprsku směřoval směrem k vozidlu. Modul se automaticky přichytí k polohovací destičce.
2. Zapněte modul křížového laseru LAM09-02 a poté nástroj PHOENIX ADAS MOBILE umístěte tak, aby se kříž modulu křížového laseru LAM09-02 překrýval s bodem C.
3. Zkontrolujte bublinky vodováh mezi rameny. Pokud bublinky nejsou vystředěné, otáčejte nastavovacími šrouby dokud bublinky nevystředíte.
4. Takto vyrovnaný nástroj PHOENIX ADAS MOBILE upevněte na místě.



#### 2.3.2.4 Seřízení nástroje PHOENIX ADAS MOBILE paralelně s vozidlem

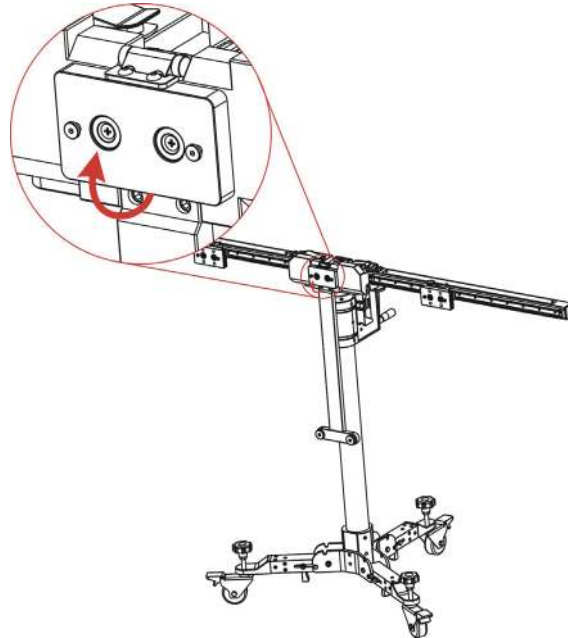
1. Pomocí šroubu jemného dorovnání nastavte polohu ramen tak, aby podélný paprsek modulu křížového laseru LAM09-02 překrýval středovou linii (a střed znaku vozidla). Potom jsou ramena zarovnána paralelně s vozidlem.



2. Vypněte křížový laser LAM09-02 a odpojte jej ze středové polohovací destičky.
3. Sešlápněte mechanismus parkovací brzd (12). Tím kalibrační rám zajistíte proti pohybu.

2.3.2.5 Výběr požadované destičky s terčem/vzorem

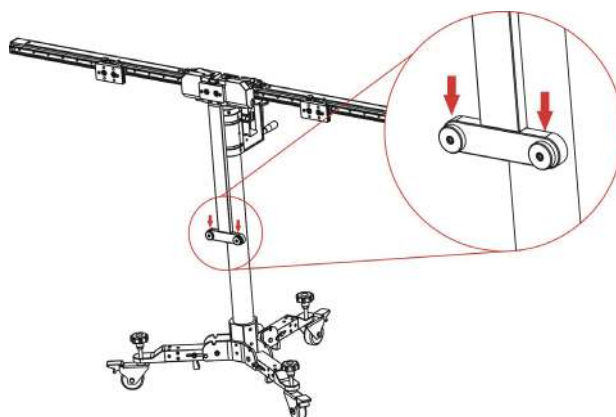
1. V závislosti na tom, jaký typ vozidla je servisován, zvolte příslušné destičky s terčem/vzorem.
2. Podle následujících kroků nainstalujete destičku (větší) se vzorem.
  - 1). Vytáhněte středovou polohovací destičku do svislé polohy.



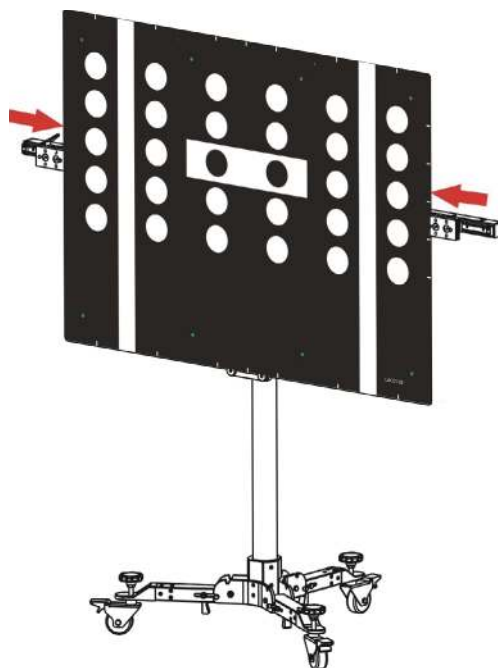
- 2). Najděte montážní otvory na kalibrační destičce se vzorem. Všimněte si, že ve spodní části každé velké destičky se vzorem jsou předpřipravené dva otvory.



- 3). Umístěte tyto montážní otvory na držák destiček se vzorem.



4). Polohovací destičky na ramenech přisuňte směrem k destičce se vzorem a tím ji upevněte na místě.

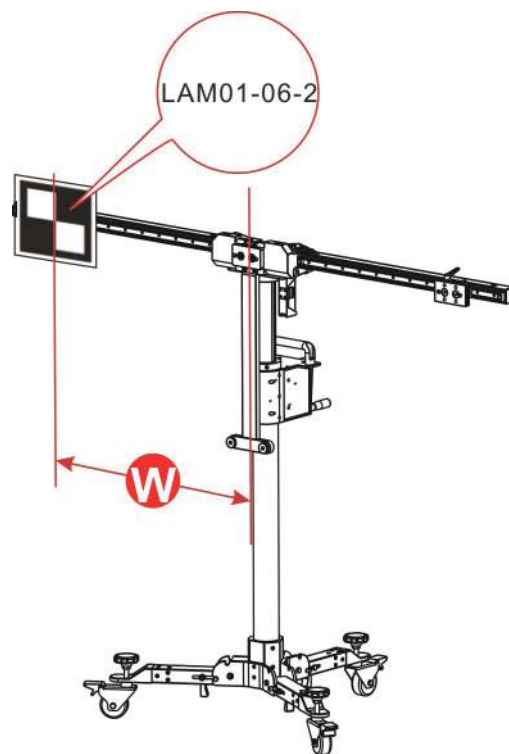


2. Podle následujících kroků nainstalujete destičku (menší) s terčem.

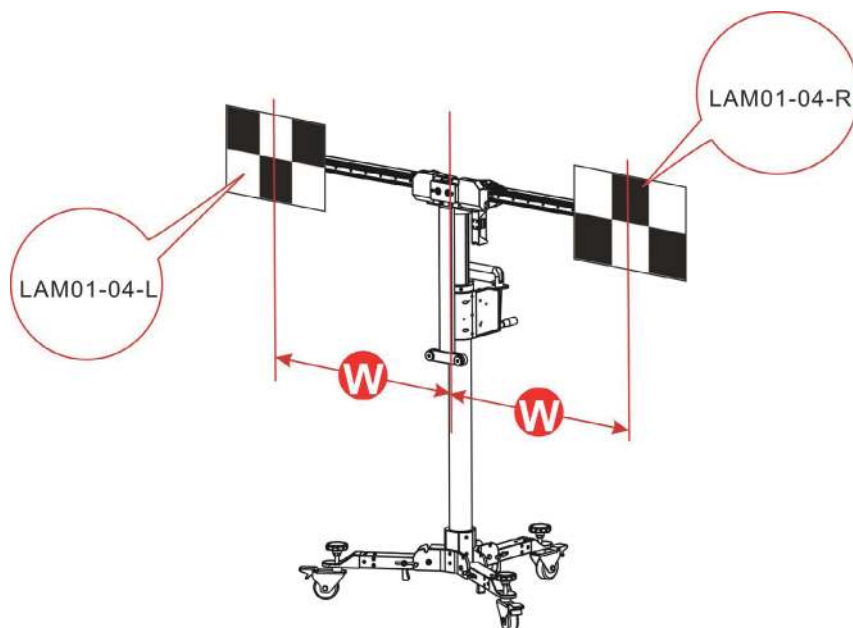
1). Všimněte si, že na každé malé destičce s terčem jsou na zadní straně předpřipravené dva otvory. Vyrovnajte tyto otvory s montážními háčky na polohovací destičce a vložte je do otvorů na terči. Poté terč lehce stlačte dolů, dokud nebude s polohovací destičkou pevně spojen.

2). Postupujte podle pokynů pro kalibraci ADAS na obrazovce diagnostického nástroje,

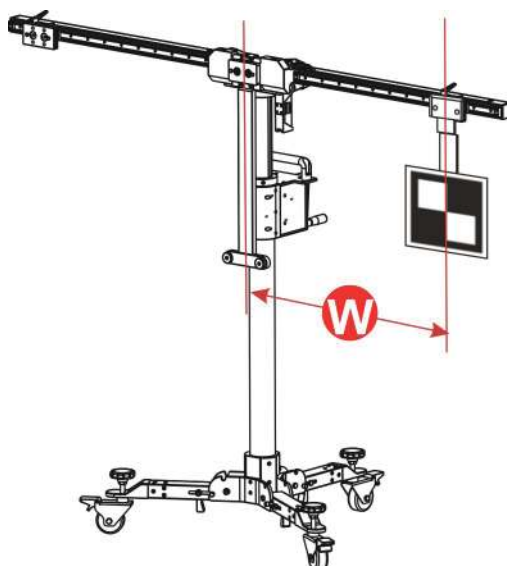
- Pokud je destička s terčem (např. LAM01-06-2) naistalována na levé nebo pravé polohovací destičce, posouvejte polohovací destičku po délce ramene do požadované polohy (podle červené rýsky pravítka (4) na horní straně držáku ukazující na pravítko (2) na rameni).



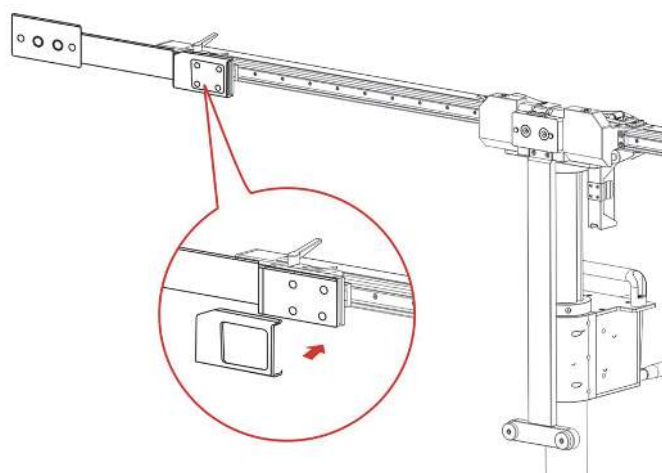
- Pokud jsou nainstalovány podložky destiček s terčem (např. LAM01-04-L a LAM01-04-R), posouvejte polohovací destičku po délce ramene do požadované polohy (podle červené rysky pravítka (4) na horní straně držáku ukazující na pravítko (2) na rameni). V tomto případě by se měly na ramenech obě nacházet ve stejné pozici.



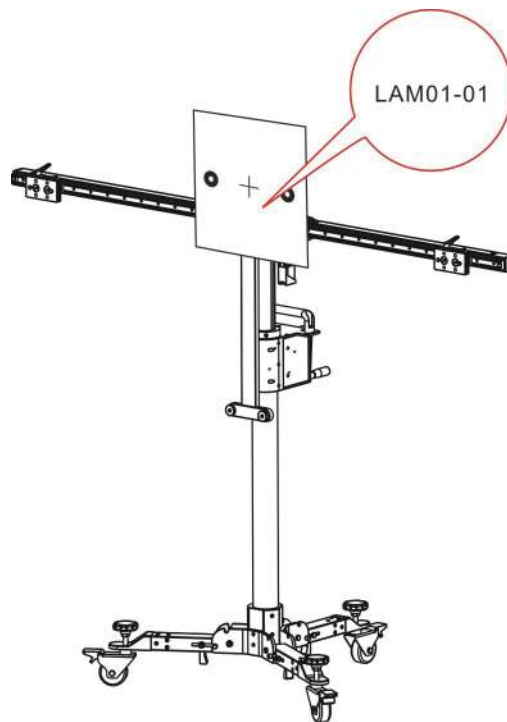
- Pokud je nutné použití prodlužovací tyče (např. LAM09-08/LAM09-09) (v případě, že výška nebo šířka nástroje PHOENIX ADAS MOBILE nemůže splňovat zadanou hodnotu), připojte nejdříve prodlužovací tyč na polohovací destičku a až poté naistalujte destičku s terčem na prodlužovací tyč.



V případě použití vodorovné prodlužovací tyče LAM09-08 je doporučeno použít přiložený kryt zámku k uzamčení prodlužovací tyče, aby se zabránilo jejímu posunutí v důsledku váhy nainstalované destičky s terčem. Prodlužovací tyč přidržte a pomocí krytu ji upevněte (viz. obrázek níže).

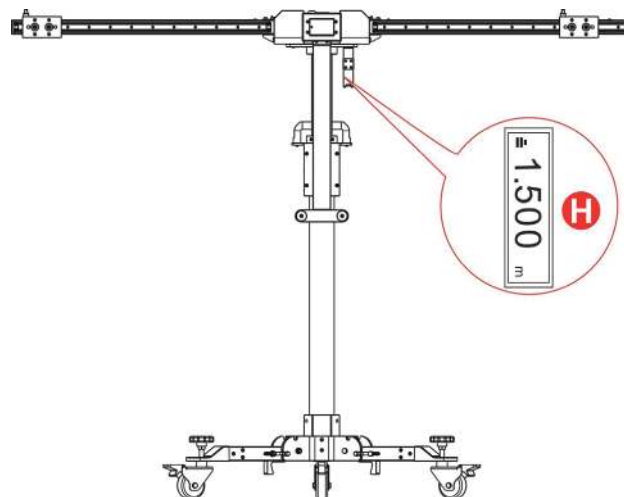


- Pokud je destička s terčem (např. LAM01-01) nainstalovaná na středové polohovací destičce, přejděte k následujícímu kroku.



### 2.3.2.6 Nastavení výšky

Použijte ruční kliku (18) k nastavení výšky, dokud se hodnota zobrazená na obrazovce laserového dálkoměru neshoduje s hodnotou uvedenou v pokynech na obrazovce.



Jelikož se laserový dálkoměr nenachází na stejné výškové úrovni jako destička s terčem/vzorem, je na diagnostickém zařízení pro každý typ vozidla upravená přesná hodnota tolerance kalibrační výšky a ze strany uživatele tak nejsou vyžadována žádná další nastavení ani výpočty.

## 3 Spuštění kalibrace

### 3.1 Kalibrace přední kamery

Tato kapitola popisuje základní proces kalibrace přední kamery. Pro demonstraci zde pro příklad uvádíme proces provedení kalibrace na vozidle 2017 Audi Q5 USA/Kanada.

#### 3.1.1 Kdy je třeba kalibrovat?

1). Pokud jsou na vozidle nalezeny následující diagnostické kódy poruch (Žádné nebo nesprávné základní nastavení/přízpusobení):

- B201000 – Žádné základní nastavení
- C110A54 – Žádné základní nastavení
- B201100 – Žádné základní nastavení

2). Pokud jsou na vozidle provedeny následující opravy nebo výměny:

- Výměna přední kamery.
- Instalace, odstranění nebo výměna čelního skla.
- Změna/úprava struktury podvozku.
- Výměna jednoho ze snímačů výšky vozidla elektroniky tlumičů kol nebo regulace výšky.

#### 3.1.2 Poznámky k postupu

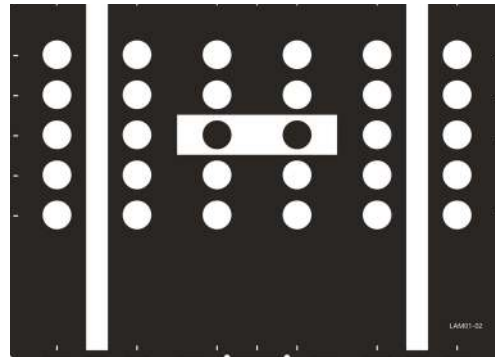
Ujistěte se, že jsou splněny následující podmínky:

##### Na vozidle a na diagnostickém zařízení

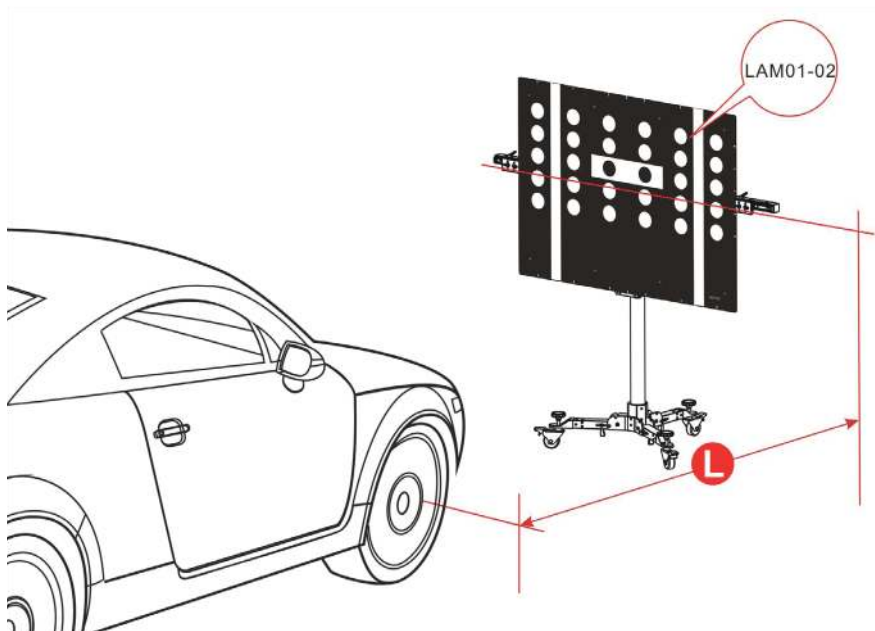
- Pro kalibraci použijte verzi diagnostického softwaru 28.50 nebo vyšší.
- Na vozidle se nacházejí pouze kódy poruch související s kalibrací. Všechny ostatní záznamy paměti poruch musí být odstraněny.
- Ujistěte se, že zařízení VCI je zapojeno do DLC vozidla.
- Zapněte zapalování.
- Nezatížené vozidlo je všemi koly zaparkované na vodorovném povrchu.
- Všechny dveře vozidla jsou zavřené.
- Tlak v kolech pneumatik má standardní hodnoty.
- Světlomety jsou vypnuté.
- Zorné pole kamer je čisté a nic mu nepřekáží.

##### Na kalibračním nástroji

- Přední kola jsou v přímé poloze a snímač úhlu natočení volantu je nastaven na nulu.
- Je nainstalován kalibrační vzor LAM01-02.



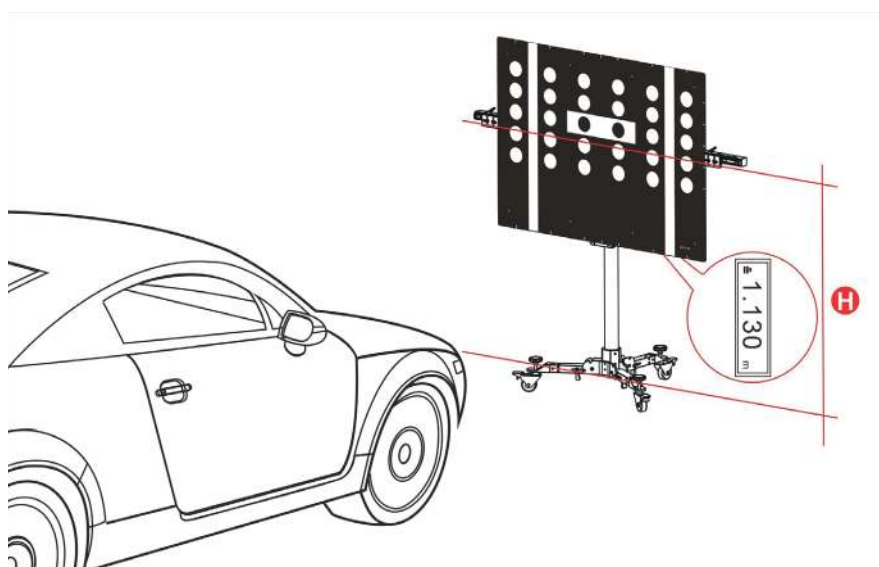
- Kalibrační vzor ADAS je umístěn paralelně před vozidlem.
- Kalibrační vzor ADAS je umístěn na střed před vozidlem.
- Vzdálenost mezi kalibračním vzorem a středovým bodem přední nápravy je 1,5 m (59 in).



Následující tabulka udává referenční vzdálenosti kalibrace kamer pro ostatní modely Audi.

1,5 m (59 in)		1,7 m (67 in)	
AUDI A3 2013>	2013~2018	AUDI Q2 2017>	2017~2018
AUDI A3 USA/KANADA 2013>	2014~2018	AUDI Q3 2012>	2012~2018
AUDI A4 2016>	2016~2018	AUDI Q3 USA/KANADA 2012>	2014~2018
AUDI A4 USA/KANADA 2016>	2016~2018	AUDI Q5 2017>	2017~2018
AUDI A5 2017>	2017~2018	AUDI Q5 USA/KANADA 2017>	2017~2018
AUDI A6 2011>	2011~2018	AUDI Q7 2016>	2016~2018
AUDI A6 USA/KANADA 2011>	2011~2018	AUDI Q7 USA/KANADA 2016>	2015~2018
AUDI A7 2011>	2011~2018		
AUDI A7 USA/KANADA 2011>	2011~2018		
AUDI A8 2010>	2010~2018		
AUDI A8 USA/KANADA 2010>	2010~2018		
AUDI A5 USA/KANADA 2016>	2017~2018		
AUDI TT 2015>	2015~2018		
AUDI TT USA/KANADA 2015>	2015~2018		

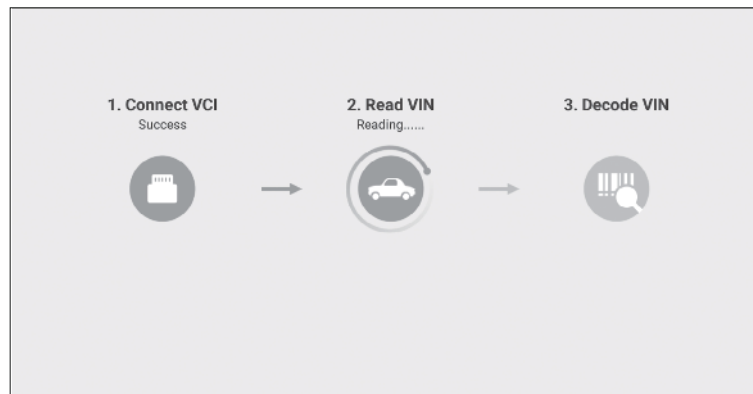
- Ujistěte se, že hodnota zobrazená na obrazovce laserového dálkoměru je 1,13 m nebo 44,5 in (výška od středu kalibračního vzoru k zemi).



### 3.1.3 Spuštění kalibrace

Pokračujte podle pokynů níže:

1. Na diagnostickém zařízení klepněte na „Toolbox“ -> „ADAS“.
2. Diagnostické zařízení začne komunikovat s VCI a načte si VIN kód. Po úspěšném dekódování VIN kódu se objeví obrazovka podobná následující:



Model
Audi Q3 USA/CDN 2014>
Audi Q5 2009 >
Audi Q5 2017>
Audi Q5 Usa/Cdn 2009>
Audi Q5 Usa/Cdn 2017>
Audi Q7 2007>
Audi Q7 2015>
Audi Q7 USA/CDN 2015>
Audi Q7 Usa/Cdn 2007>

3. Vyberte Audi Q5 Usa/Cdn 2017>.

Model Year
2017 (H)
2018 (J)

(Vyberte 2018 (J))



Variant
Suv

(Vyberte SUV)



Engine
Cwgd 3.0l Tfsi / 260kw
Dayb 2.0l Tfsi / 185kw
Dfva 2.0l Tdi / 140kw

(Vyberte typ motoru – Dfva 2.0l Tdi/140kw)

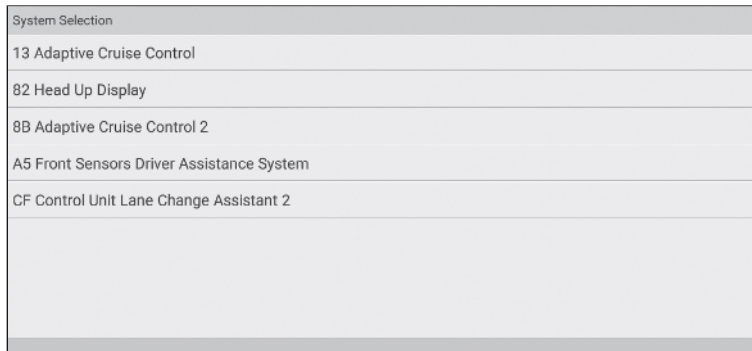


4. Znovu zkontrolujte svůj výběr a klepnutím na „Confirm“ přejděte k dalšímu kroku.

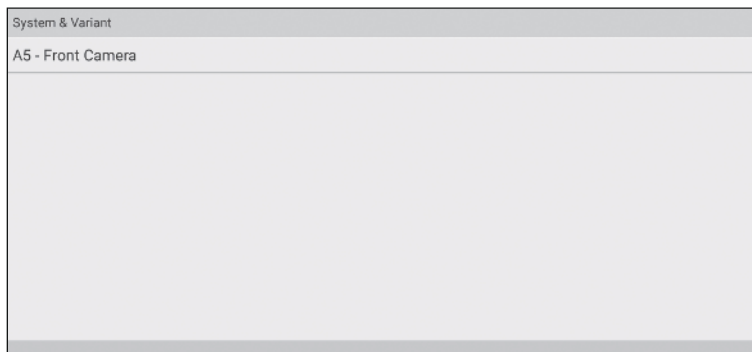
Name	Contents
Vehicle VIN	
Model	Audi Q5 Usa/Cdn 2017>
Model Year	2018 (J)
Version	Suv
Engine	Dfva 2.0l Tdi / 140kw

Confirmed

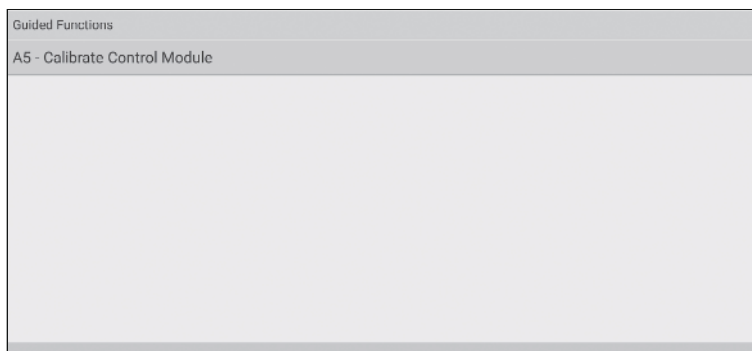
5. Vyberte systém ke kalibraci.



(Vyberte „A5 Front Sensors Driver Assistance System“)



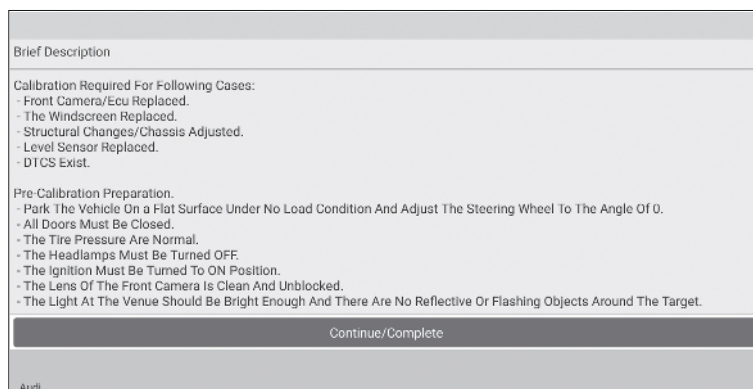
(Vyberte „A5 – Front Camera“)



(Vyberte „A5 – Calibrate Control Module“)

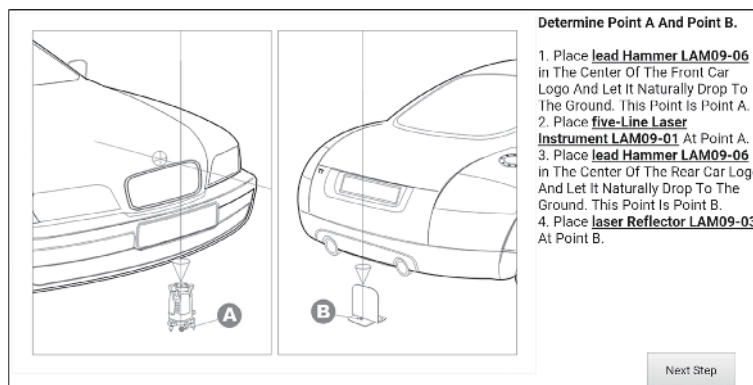
6. Pokračujte výběrem „A5 – Calibrate Control Module to continue“.

7. Přejetím po obrazovce si pečlivě přečtete všechny podmínky kalibrace a tipy a znovu zkontrolujte, že byly provedeny všechny předkalibrační přípravy. Pokud ano, klepněte na „Complete/Continue“.

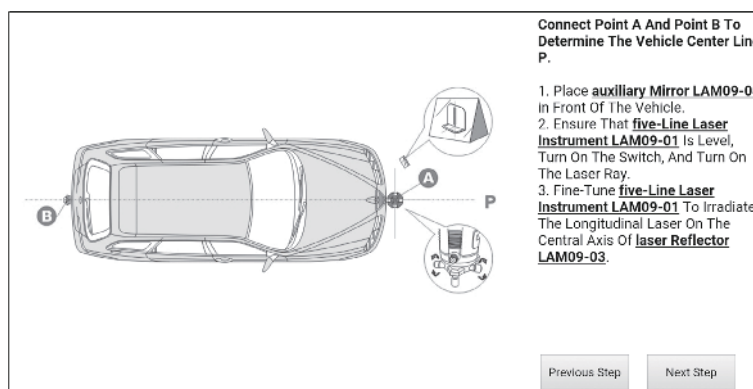


8. Zkontrolujte, jestli byly provedeny následující kroky.

1). Určení středové linie testovaného vozidla.

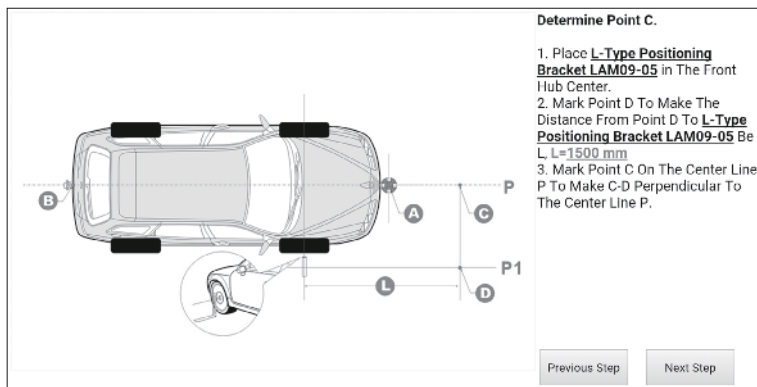


(Klepněte na „Next Step“)



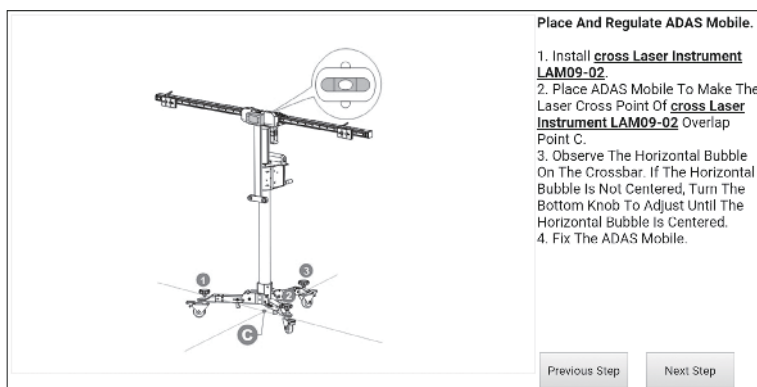
(Klepněte na „Next Step“)

2). Určení umístění nástroje PHOENIX ADAS MOBILE.



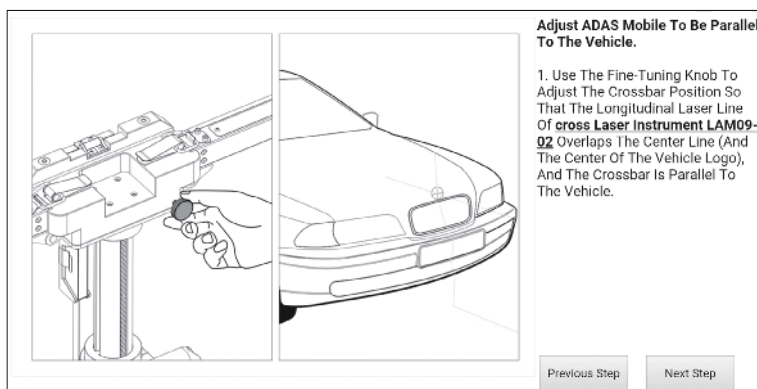
(Klepněte na „Next Step“)

3). Umístění nástroje PHOENIX ADAS MOBILE.



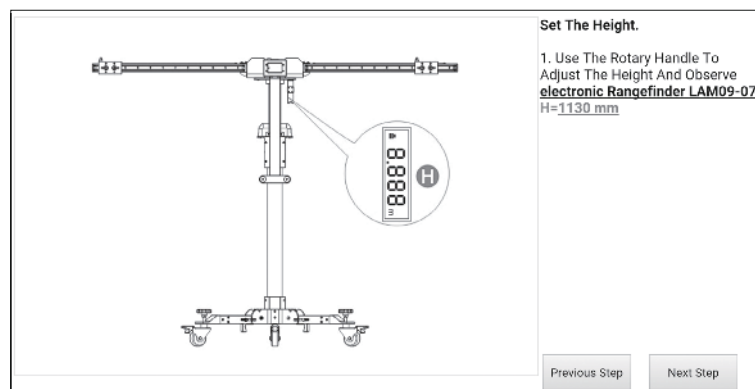
(Klepněte na „Next Step“)

4). Seřízení nástroje PHOENIX ADAS MOBILE do jedné roviny s vozidlem.



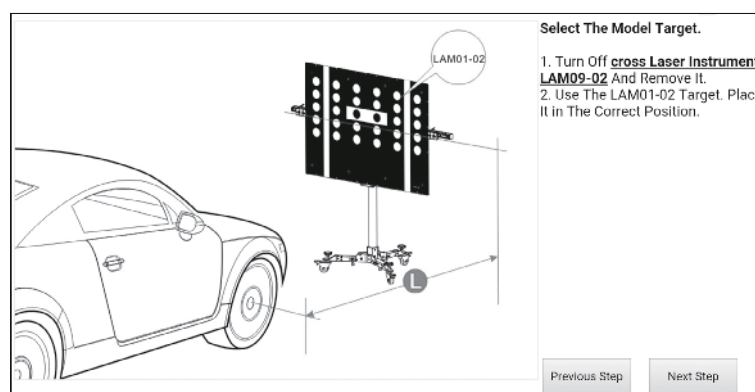
(Klepněte na „Next Step“)

5). Nastavení výšky.



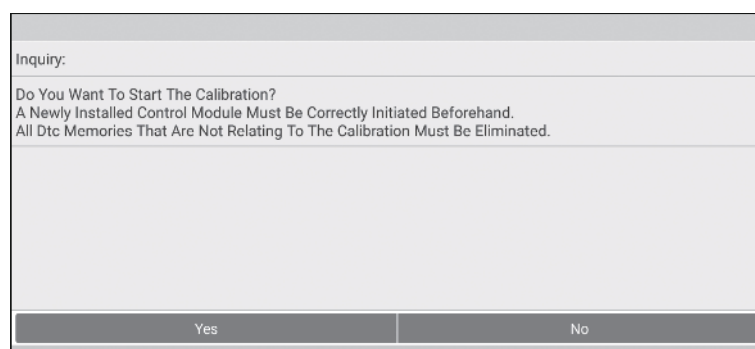
(Klepněte na „Next Step“)

6). Výběr destičky se vzorem LAM01-02.



(Klepněte na „Next Step“)

9. Na obrazovce se zobrazí následující dialogové okno. Před kalibrací se ujistěte, že všechny diagnostické kódy poruch nesouvisející s kalibrací, byly vymazány. Pokud ano, klepněte na „Yes“ a přejděte k dalšímu kroku.



(Klepněte na „Yes“)



Calibration Device:

To Start The Calibration Of The Driver Assistance Systems Front Camera -R242-, The Setting Device Basic Set Must Be Set Up According To The Repair Manual.  
Have You Set Up The Setting Device Basic Set?

Yes No

(Klepněte na „Yes“)



Please Select The Type Of Chassis Control Of The Car:

Select The Control Unit Model Chassis Control,  
If This Control Unit Is Not Installed, Please Click The Option 'Not Installed'

Not\_installed 74 - Suspension Control 74 - Chassis Control Without Air Suspension

10. Vyberte „74 – Suspension Control“ a zvolte způsob nastavení systému výšky vozidla na normální úroveň.

Inquiry Level Control System:

Please Select:

1. Vehicle Has Level Control System And Is Set To Normal Level Manually
2. Vehicle Has Level Control System And Should Be Set To Normal Level Automatically.
3. Cancel Program

- 1 - - 2 - - 3 -

(Vyberte -2-)


11. Klepněte na -2- (Vehicle has level control system and should be set to normal level automatically). Nastavte funkci volby režimu jízdy vozidla na COMFORT, abyste nastavili odpružení na normální úroveň a zablokovali jej.

Start Up Normal Level:

To Calibrate The Selected Function, It Is Necessary To Set The Suspension System To Normal Level And Lock It.  
- To Do This, Set The Drive Select Function Of The Vehicle To Comfort .  
After Pressing <Complete/Continue> The Setting Of The Normal Level Will Be Performed.

Complete/Continue

12. Klepněte na „Complete/Continue“, podle pokynů na obrazovce dokončete spuštění, vyhodnoťte stav podvozku a systém ovládání výšky a zadejte hodnoty hran podběhů kol (\*hodnoty zadávejte v milimetrech).

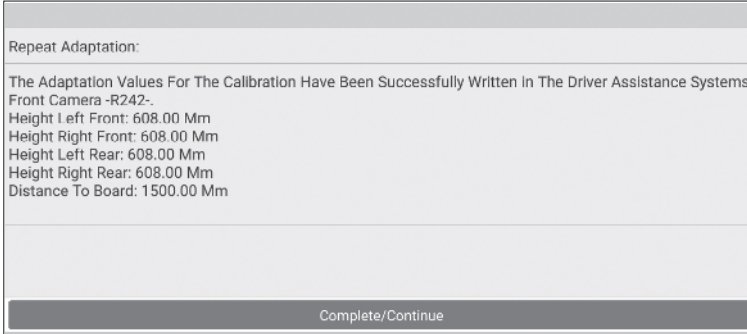


Enter Wheel Housing Edge Values:

These Values Have Been Entered:  
Height Left Front: 608.00 Mm  
Height Right Front: 608.00 Mm  
Height Left Rear: 608.00 Mm  
Height Right Rear: 608.00 Mm  
Distance To Board: 1500.00 Mm  
Are These Values Ok?

Yes No

13. Pečlivě zkontrolujte, jestli jsou hodnoty zadány správně. Klepnutím na „Yes“ se hodnoty přizpůsobení zapíší do asistenčních systémů řidiče.

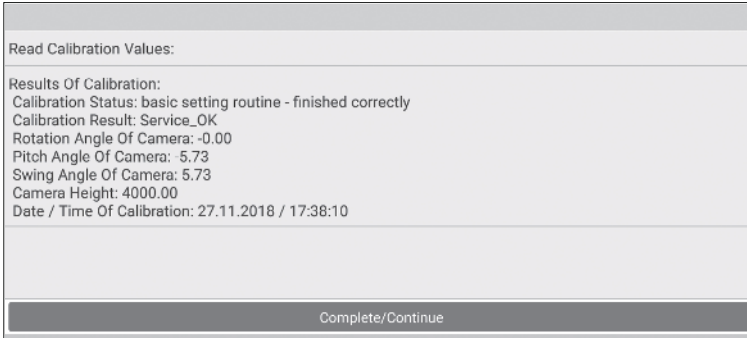


Repeat Adaptation:

The Adaptation Values For The Calibration Have Been Successfully Written In The Driver Assistance Systems  
Front Camera -R242-  
Height Left Front: 608.00 Mm  
Height Right Front: 608.00 Mm  
Height Left Rear: 608.00 Mm  
Height Right Rear: 608.00 Mm  
Distance To Board: 1500.00 Mm

Complete/Continue

14. Klepnutím na Dokončit/Pokračovat přejdete k nastavení režimu kalibrace, spuštění kalibrace a odečtu hodnot kalibrace.

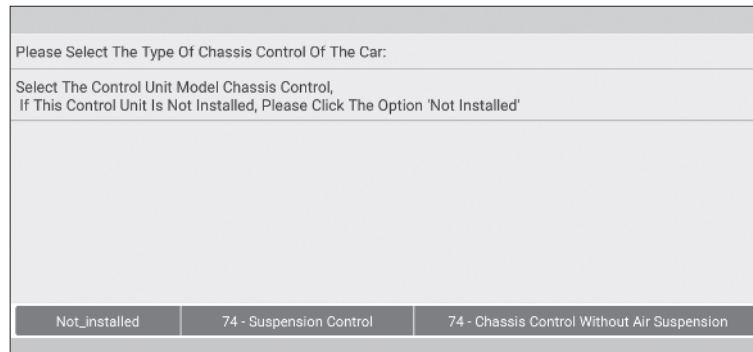


Read Calibration Values:

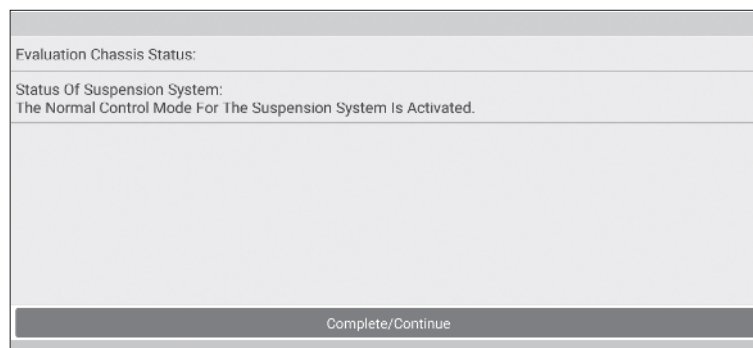
Results Of Calibration:  
Calibration Status: basic setting routine - finished correctly  
Calibration Result: Service\_OK  
Rotation Angle Of Camera: -0.00  
Pitch Angle Of Camera: 5.73  
Swing Angle Of Camera: 5.73  
Camera Height: 4000.00  
Date / Time Of Calibration: 27.11.2018 / 17:38:10

Complete/Continue

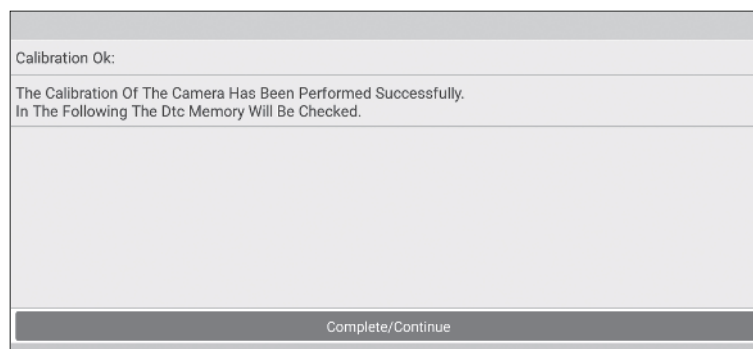
15. Klepnutím na „Complete/Continue“ přejdete na výběr systému ovládání výšky a výběru systému ovládání podvozku.



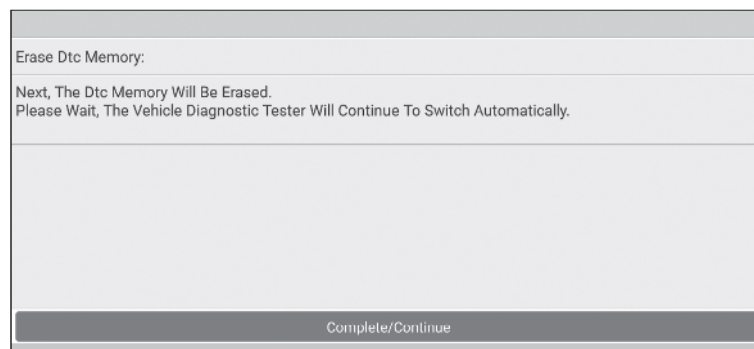
16. Vyberte „74 – Suspension Control“ pro nastavení systému ovládání výšky do normálního režimu a aktivaci systému ovládání výšky systému odpružení.



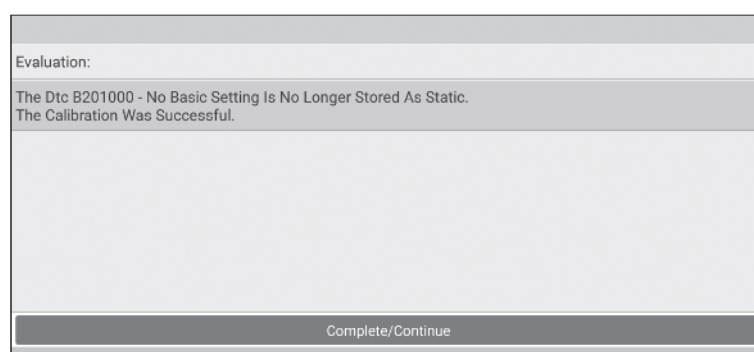
17. Klepnutím na „Complete/Continue“ ukončíte kalibraci přední kamery. Diagnostické zařízení následně vymaže existující diagnostické kódy poruch.



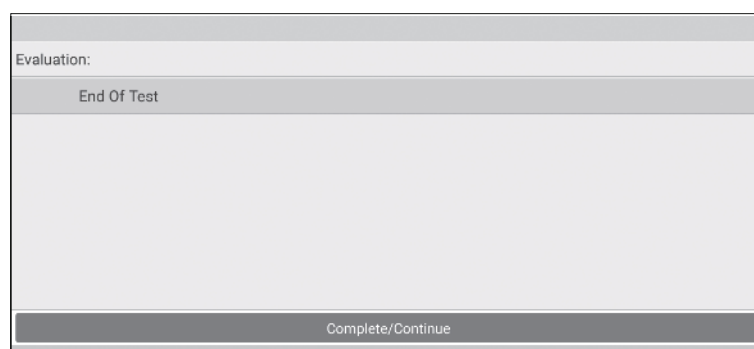
18. Klepněte na „Complete/Continue“ a vyčkejte, než diagnostické zařízení automaticky vymaže diagnostické kódy poruch související s kalibrací.



19. Klepnutím na „Complete/Continue“ potvrdíte, zda byly diagnostické kódy poruch skutečně vymazány.



20. Klepnutím na „Complete/Continue“ potvrdíte a ukončíte celou relaci kalibrace.



## 3.2 Kalibrace zadní kamery

Tato kapitola popisuje základní proces kalibrace zadní kamery vozidla AUDI A4 USA/Kanada 2016 (Modelový rok 2018).

### 3.2.1 Kdy je třeba kalibrovat?

1). Pokud jsou na vozidle nalezeny následující diagnostické kódy poruch:

■ B201000 – Systém pro výhled dozadu nebyl kalibrován.

2). Pokud jsou na vozidle provedeny následující opravy nebo výměny:

■ Couvací kamera R189 byla odebrána a nainstalována.

■ Řídicí jednotka systému couvací kamery J772 byla vyměněna.

■ Po nehodě byla provedena oprava zadní části karoserie nebo víka zavazadlového prostoru.

■ Po seřízení všech 4 kol.

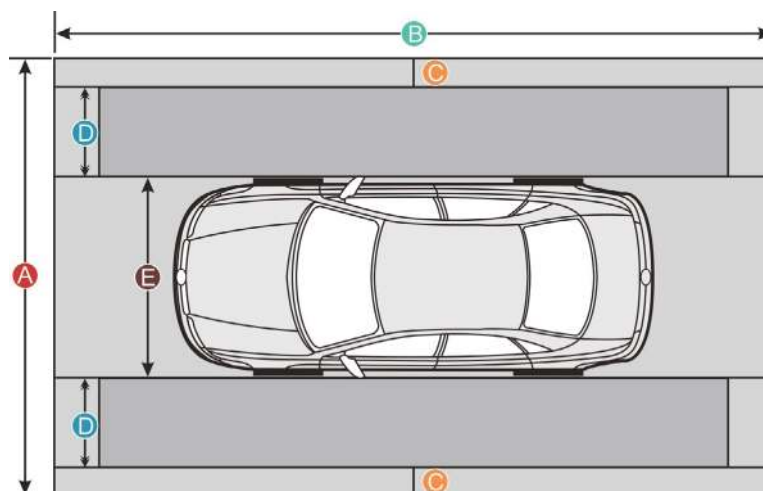
■ Po opravě přední nebo zadní nápravy.

### 3.2.2 Poznámky k postupu

Ujistěte se, že jsou splněny následující podmínky:

#### Velikost pracoviště

Při kalibraci zadní kamery a kamery AVM závisí velikost pracoviště na velikosti vozidla a referenčním vzoru kalibrace. Následující obrázek pro informaci popisuje maximální velikost pracoviště.

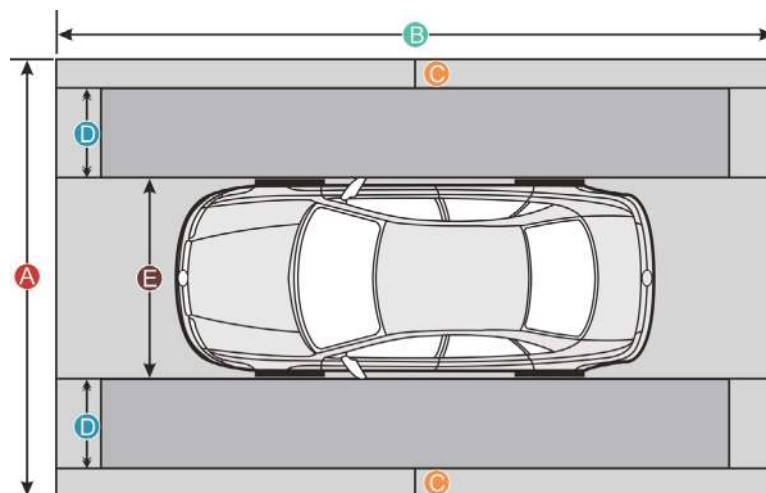


### 3.2.2 Poznámky k postupu

Ujistěte se, že jsou splněny následující podmínky:

#### Velikost pracoviště

Při kalibraci zadní kamery a kamery AVM závisí velikost pracoviště na velikosti vozidla a referenčním vzoru kalibrace. Následující obrázek pro informaci popisuje maximální velikost pracoviště.



	Americká vozidla	Evropská vozidla	Asijská vozidla
Rozměr A (šířka celého pracoviště)	přibližně 7,3 m (287,4 in)	přibližně 4,5 m (117,2 in)	přibližně 6,1 m (240 in)
Rozměr B (šířka celého pracoviště)	přibližně 12 m (472 in)	přibližně 7 m (275,6 in)	přibližně 9,5 m (374 in)
Rozměr C (prostor vyhrazený pro chůzi technika)	alespoň 0,5 m (19,7 in)	alespoň 0,5 m (19,7 in)	alespoň 0,5 m (19,7 in)
Rozměr D (Šířka referenčního vzoru kalibrace. Liší se pro každé vozidlo)	přibližně 1,7 m (67 in)	přibližně 0,8 m (31,5 in)	přibližně 1,6 m (63 in)
Rozměr E (Šířka vozidla. Liší se pro každé vozidlo)	přibližně 2,9 m (114 in)	přibližně 1,9 m (74,8 in)	přibližně 1,9 m (74,8 in)

#### Na vozidle a na diagnostickém zařízení

- Pro kalibraci použijte verzi diagnostického softwaru 28.50 nebo vyšší.
- Ujistěte se od vzoru kalibrace neodráží žádné přímé světlo. Odražené světlo ovlivňuje funkci rozpoznání obrazu kamery a může dojít k selhání kalibrace.
- Ujistěte se, že zařízení VCI je zapojeno do DLC vozidla.
- Zapněte zapalování.

- Couvací kamera je aktivovaná (je vidět obraz couvací kamery).
- Vozidlo je v dobrém stavu a nikdo uvnitř nesedí.
- Nádrž je plná.
- Kola mají standardní tlak.

Na kalibračním nástroji

- Je nainstalován kalibrační vzor LAC02-03.



LAC02-03

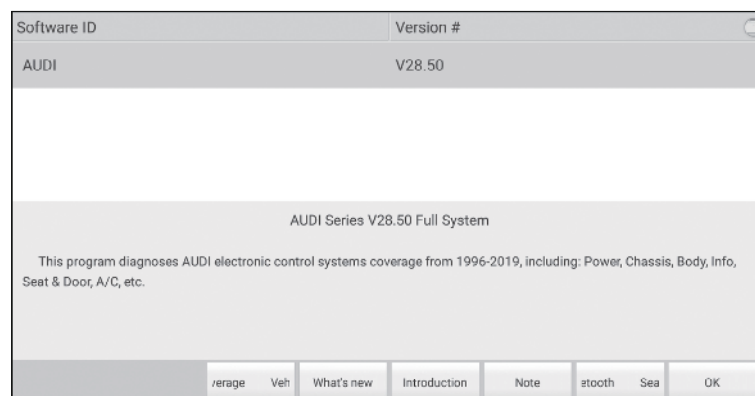
- Je nutné pravítko nebo svinovací metr.
- Nastavení kalibračního nástroje: Kalibrační vzor je umístěn paralelně s osou zadního kola a je vystředěn. Vzdálenost od hrany LAC02-03 ke středu zadního kola je  $1500 \pm 10$  mm nebo  $59,055 \pm 0,394$  in. Pro model Phateon je tato vzdálenost  $1700 \pm 10$  mm nebo  $66,929 \pm 0,394$  in.



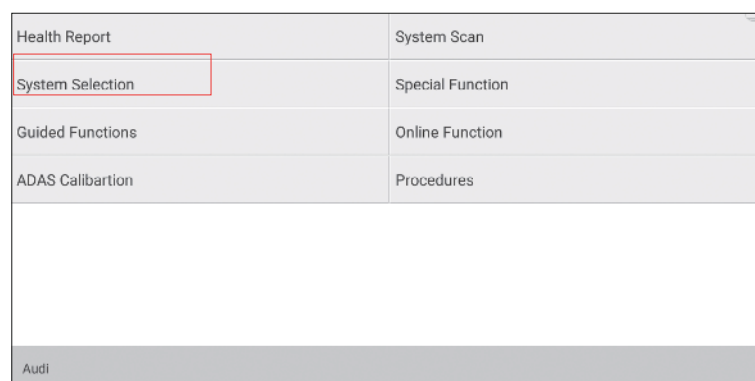
### 3.2.3 Spuštění kalibrace

Pokračujte podle pokynů níže:

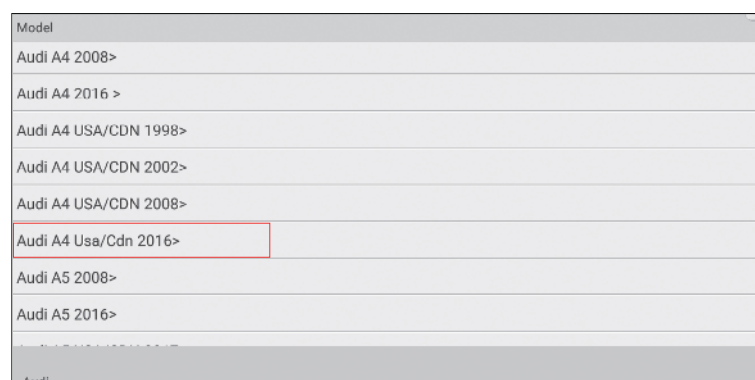
1. Na obrazovce výběru diagnostického softwaru vyberte AUDI.



2. Klepnutím na „OK“ přejdete na následující obrazovku s nabídkou diagnostiky.



3. Výběrem „Guided Functions“ přejdete na obrazovku výběru modelu vozidla.



(Vyberte Audi A4 Usa/Cdn 2016>)

Model Year
2016 (G)
2017 (H)
2018 (J)

Audi

(Vyberte 2018 (J))



Variant
Sedan
Allroad

Audi

(Vyberte Sedan)



Engine
Cwgd 3.0l Tfsi / 260kw
Cymc 2.0l Tfsi / 185 Kw
Dbpa 2.0l Tfsi / 140kw
Dfva 2.0l Tdi / 140kw

Audi

(Vyberte typ motoru – Dfva 2.0l/140kw)



4. Znovu zkontrolujte svůj výběr a klepnutím na „Confirm“ přejděte k dalšímu kroku.

Name	Contents
Vehicle VIN	
Model	Audi A4 Usa/Cdn 2016>
Model Year	2018 (J)
Version	Sedan
Engine	Dfva 2.0l Tdi / 140kw
Confirmed	

5. V seznamu „Guided functions“ zvolte možnost „System Selection“.

System Selection
Special Function
Test Plan
Audi

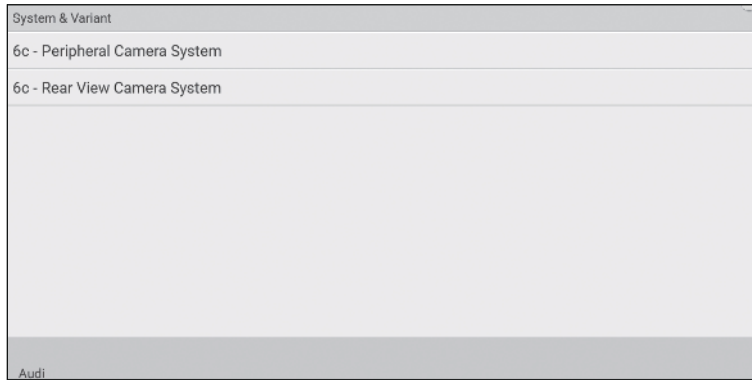
(Zvolte „System Selection“)



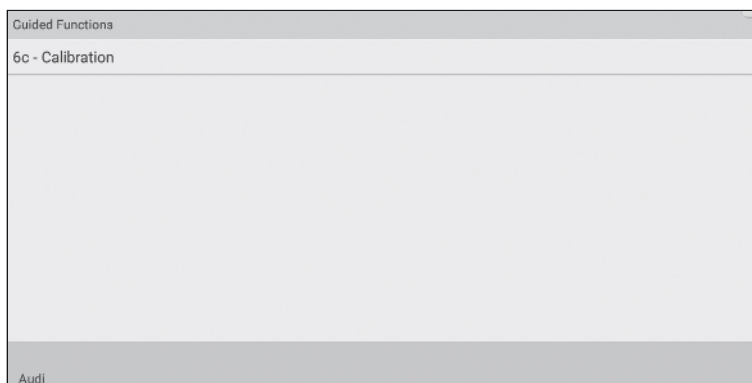
System Selection
57 TV Tuner
5E Control Head Rear Left
5F Information Control Unit 1
65 Tire Pressure Monitoring 1
69 Trailer Function
6C Camera System Rear View
6D Deck Lid Control Unit
74 Chassis Control
Audi

(Vyberte „6C Camera System Rear View“)





(Vyberte „6c – Rear View Camera System“)



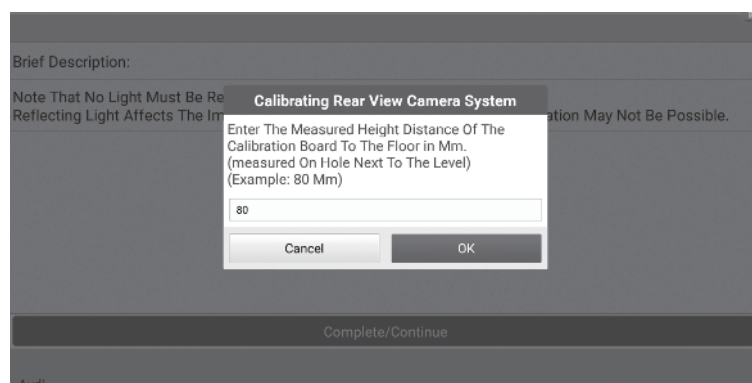
(Vyberte „6c – Calibration“)



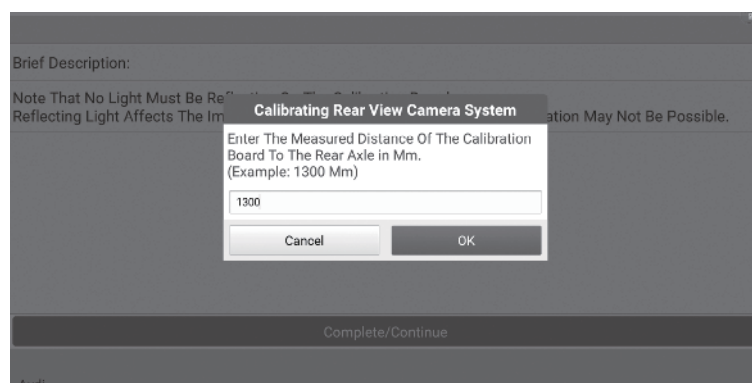
6. Přejetím prstem po obrazovce zespodu projděte a pečlivě si přečtete všechny pokyny a poznámky týkající se kalibrace. Pokračujte klepnutím na „Complete/Continue“.



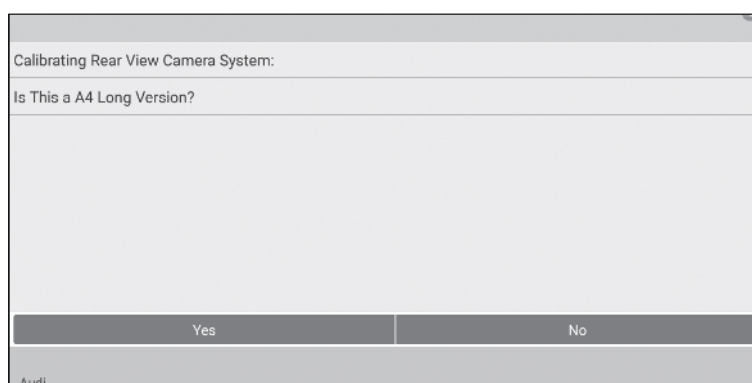
7. Vložte naměřenou výšku kalibračního vzoru od země v milimetrech (například: 80 mm), a klepnutím na „OK“ potvrďte.



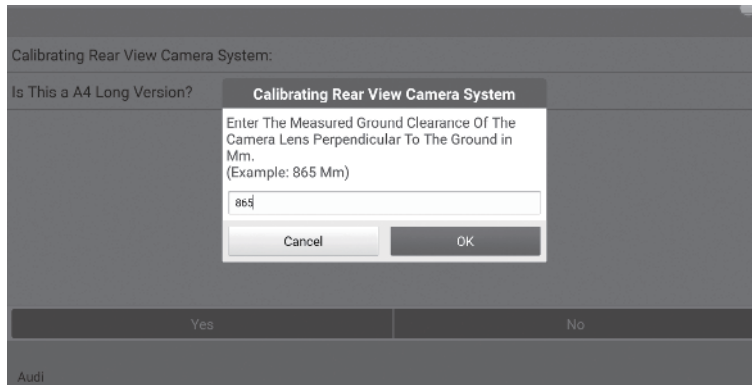
8. Vložte naměřenou vzdálenost kalibračního vzoru od zadní nápravy v milimetrech (například: 1300 mm), a klepnutím na „OK“ potvrďte.



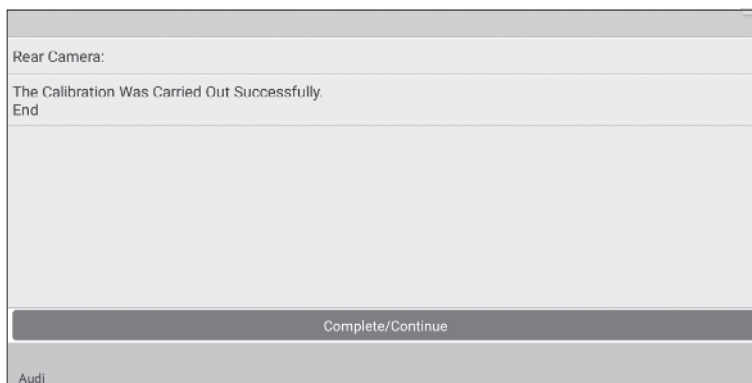
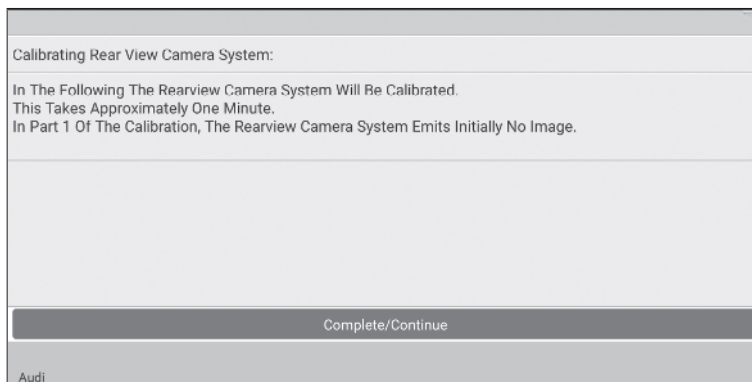
9. Zkontrolujte, zda se jedná o dlouhou verzi A4. Pokud ano, klepněte na „Yes“.



10. Zadejte naměřenou světlovou výšku objektivu kamery kolmému k zemi v milimetrech (například: 865 mm), a klepnutím na „OK“ potvrďte.



11. Systém kamer pro výhled dozadu se začne kalibrovat. Postupujte podle pokynů na obrazovce, dokud nebude kalibrace úspěšně dokončena.

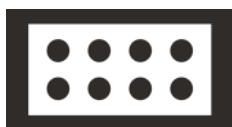


## 4 Vzory terčů (Volitelné)

Díky neustálému vývoji bude pro nástroj PHOENIX ADAS MOBILE samostatně k dispozici více kalibračních panelů specifických pro výrobce vozidel, což dále rozšíří možnosti využití nástroje. Obsah balení zkontrolujte ihned po obdržení vašeho nástroje, aby reklamace ohledně poškozených nebo chybějících dílů bylo možné okamžitě řešit. Příslušenství se pro různé cílové země může lišit. K uspokojení proměnlivých potřeb jednotlivých pracovišť jsou jednotlivě nebo v sadách k dispozici různé kalibrační panely. Pro další podrobnosti se obraťte na místní prodejce nebo se podívejte na přiložený obsah balení.

### 1. SADA TERČŮ RCW a AVM – ASIJSKÉ

HONDA-AVM  
(LAC04-01)



HONDA-AVM  
(LAC04-02)



NISSAN-RCW  
(LAC04-11)



HYUNDAI-AVM  
(LAC04-12-01/02)



MITSUBISHI AVM  
(LAC04-13)



NISSAN RCW  
(LAC04-15)



### 2. SADA TERČŮ RCW a AVM – AMERICKÉ

CADILAC-AVM  
(LAC04-06)



FORD-AVM  
(LAC04-07)



### 3. SADA TERČŮ RCW a AVM – EVROPSKÉ

MERCEDES-RCW  
(LAC02-02)



VW-RCW  
(LAC02-03)



VW-AVW  
(LAC04-04)



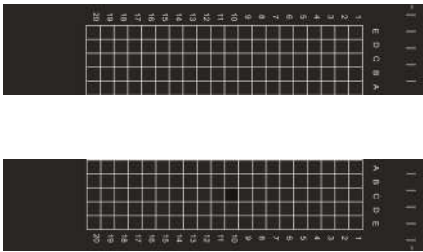
MERCEDES-RFK  
(LAC04-08-01)



MERCEDES-RFK  
(LAC04-08-02)



RENAULT-AVM  
(LAC04-10-01/02)



VW-AVM  
(LAC04-14)



---

#### 4. OSTATNÍ TERČE

ROMEO-LDW  
(LAM01-11)



REFLECTOR ACC  
(LAM05-02)



ROHOVÝ REFLEKTOR  
(LAC05-03)



DOPPLER SIMULÁTOR  
(LAC05-04)



## 5 Péče a údržba

- S kalibračním nástrojem, náhradními díly a příslušenstvím je nutné zacházet opatrně.
- Kalibrační nástroj udržujte čistý.
- Neponořujte kalibrační nástroj do vody ani do jiných kapalin.
- Kalibrační nástroj udržujte v suchu a pracujte s ním v běžných provozních teplotách.
- Neskladujte kalibrační nástroj ve vlhkém a špinavém prostředí.
- Pohyblivé části pravidelně promazávejte mazivy nebo oleji bez obsahu kyselin nebo pryskyřic.
- Kalibrační nástroj ADAS pravidelně čistěte neagresivními čisticími prostředky.
- K čištění používejte komerční čisticí prostředky pro domácnost a navlhčený měkký čisticí hadřík.
- K okamžité výměně poškozeného příslušenství vždy používejte originální náhradní díly.
- Kalibrační nástroj nechávejte opravovat výhradně v autorizovaném středisku poprodejšího servisu.

## Záruka

Jednoletá omezená záruka TOPDON

TOPDON svému původnímu kupujícímu zaručuje, že produkty TOPDON budou po dobu 12 měsíců od data nákupu (Záruční doba) bez vad materiálu a zpracování. Závady nahlášené během Záruční doby společnost TOPDON na základě analýzy a potvrzení technické podpory opraví nebo vymění vadný díl nebo výrobek.

Tato omezená záruka je neplatná za následujících podmínek:

Nesprávné použití, rozebrání nebo změna nástroje, oprava nástroje neautorizovanými prodejci nebo techniky.

Neopatrná manipulace, nesprávná obsluha.

Některé země, státy a provincie neumožňují vyloučení nebo omezení náhodných nebo následných škod nebo vyloučení nebo omezení doby trvání předpokládaných záruk nebo podmínek, takže výše uvedená omezení nebo vyloučení se na vás nemusí vztahovat.

