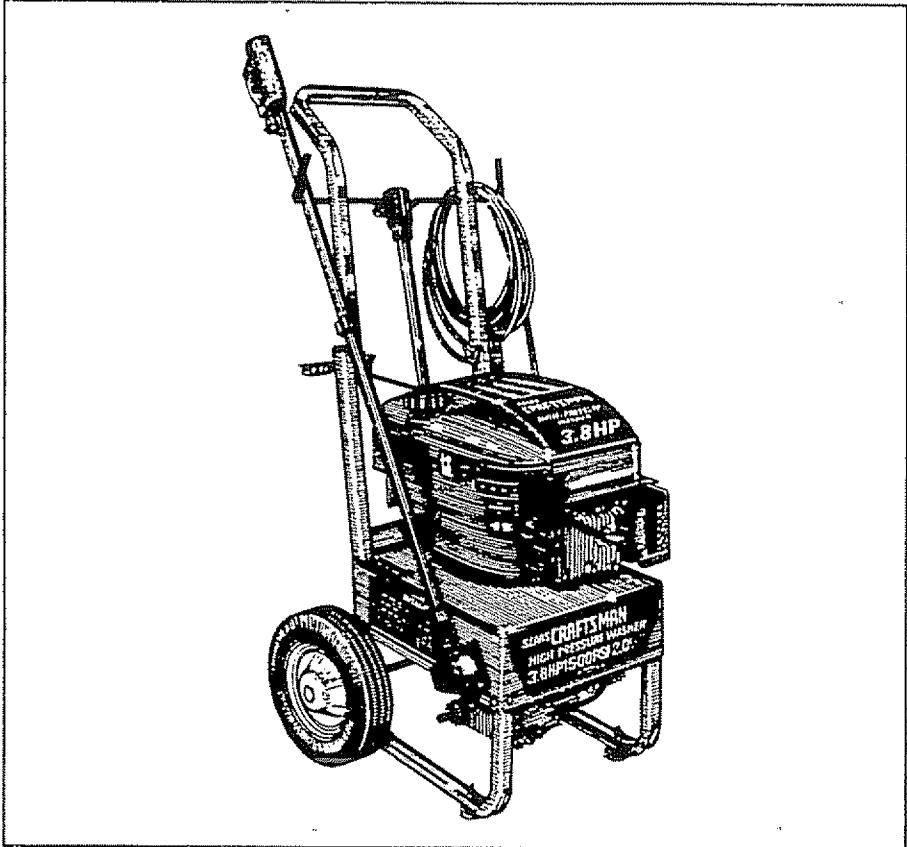


# SEARS OWNER'S MANUAL

MODEL NO.  
580.741380



**PRESSURE WASHER  
CUSTOMER  
HELPLINE  
1-800-222-3136**

**CAUTION:**  
Read and Follow  
all Safety Rules  
and Instructions  
Before Operating  
This Equipment

## **CRAFTSMAN<sup>®</sup>** 3.8 HORESPOWER 1500 PSI 2 GPM HIGH PRESSURE WASHER

- Assembly
- Operation
- Customer Responsibilities
- Service and Adjustment
- Repair Parts

SEARS, ROEBUCK and CO., Hoffman Estates, IL 60179 U.S.A.



## SAFETY RULES



**CAUTION: ALWAYS DISCONNECT SPARK PLUG WIRE AND PLACE WIRE WHERE IT CANNOT CONTACT SPARK PLUG, TO PREVENT ACCIDENTAL STARTING WHEN SETTING UP, TRANSPORTING, ADJUSTING OR MAKING REPAIRS TO YOUR HIGH PRESSURE WASHER.**



### TRAINING:

- Engine exhaust gases contain **DEADLY** carbon monoxide gas. This dangerous gas, if breathed in sufficient concentrations, can cause unconsciousness or even death. Operate this equipment only in the open air where adequate ventilation is available.

**WARNING:**

**The engine exhaust from this product contains chemicals known to the State of California to cause cancer, birth defects, or other reproductive harm.**

- Gasoline is highly **FLAMMABLE** and its vapors are **EXPLOSIVE**. Do not permit smoking, open flames, sparks or heat in the vicinity while handling gasoline. Avoid spilling gasoline on a hot engine. Allow unit to cool for 2 minutes before refueling. Comply with all laws regulating storage and handling of gasoline.
- Locate this pressure washer in areas away from combustible materials, combustible fumes or dust.
- The high pressure equipment is designed to be used with Sears authorized parts only. If you use this equipment with parts that do not comply with minimum specifications, the user assumes all risks and liabilities.
- Some chemicals or detergents may be harmful if inhaled or ingested, causing severe nausea, fainting or poisoning. The harmful elements may cause property damage or severe injury.
- Do not allow **CHILDREN** to operate the Pressure Washer at any time.

### PREPARATION:

- Operate engine only at governed speed. Running the engine at excessive speeds increases the hazard of personal injury. Do not tamper with parts which may increase or decrease the governed speed.
- Do not wear loose clothing, jewelry or anything that may be caught in the starter or other rotating parts.
- Before starting the Pressure Washer in cold weather, check all parts of the equipment and be sure ice has not formed there.
- Units with broken or missing parts, or without protective housing or covers should **NEVER** be operated.
- The muffler and air cleaner must be installed and in good condition before operating the Pressure Washer. These components act as spark arrestors if the engine backfires.
- Check the fuel system for leaks or signs of deterioration such as chafed or spongy hose, loose or missing clamps or damaged tank or cap. Correct all defects before operating the Pressure Washer.

### OPERATION:

- Do not spray flammable liquids.
- Never allow any part of the body to come in contact with the fluid stream. **DO NOT** come in contact with a fluid stream created by a leak in the high pressure hose.
- High pressure stream of fluid that this equipment can produce can pierce skin and its underlying tissues, leading to serious injury and possible amputation.

- Never aim the gun at people, animals or plants.
- High pressure spray can cause paint chips or other particles to become airborne and fly at high speeds.
- Always wear eye protection when you use this equipment or when you are in the vicinity where the equipment is in use.
- Operate the pressure at no more than the PSI fluid pressure rated for your pressure washer.
- Never move the machine by pulling on the high pressure hose. Use the handle provided on the top of the unit.
- Always be certain the spray gun, nozzles and accessories are correctly attached.
- Never use a spray gun which does not have a trigger lock or trigger guard in place and in working order.
- Use a respirator or mask whenever there is a chance that vapors may be inhaled. Read all instructions with the mask so you are certain the mask will provide the necessary protection against inhaling harmful vapors.
- High pressure spray may damage fragile items including glass. Do not point spray gun at glass when in the jet spray mode.
- Keep the hose connected to machine or the spray gun while the system is pressurized. Disconnecting the hose while the unit is pressurized is dangerous.
- Hold the spray gun firmly in your hand before you start the unit. Failure to do so could result in an injury from a whipping spray gun. Do not leave the spray gun unattended while the machine is running.
- The cleaning area should have adequate slopes and drainage to reduce the possibility of a fall due to slippery surfaces.
- Keep water spray away from electric wiring or fatal electric shock may result.
- Do not adjust unloader valve to a pressure in excess of machine rating.
- Do not secure trigger gun in the pull-back (open) position.
- Do not by-pass any safety device on this machine.
- Do not leave trigger closed for more than 5 minutes with engine running. This could damage the pump.
- The muffler and engine heat up during operation and remain hot immediately after shutting it down. Avoid contact with a hot muffler or engine or you could be severely burned.

### MAINTENANCE AND STORAGE:

- Operate and store this unit on a stable surface.
- High pressure hose can develop leaks from wear, kinking, abuse, etc. Water spraying from a leak is capable of injecting material into skin. Inspect hose each time before using it. Check all hoses for cuts, leaks, abrasions or bulging of cover, or damage or movement of couplings. If any of these conditions exist, replace hose immediately. Never repair high pressure hose. Replace it with another hose that meets minimum pressure rating of your pressure washer.



**LOOK FOR THIS SYMBOL TO POINT OUT IMPORTANT SAFETY PRECAUTIONS. IT MEANS "ATTENTION!!! BECOME ALERT!!! YOUR SAFETY IS INVOLVED."**

CONGRATULATIONS on your purchase of a Sears Craftsman high pressure washer. It has been designed, engineered and manufactured to give you the best possible dependability and performance.

Should you experience any problem you cannot easily remedy, please contact your nearest Sears Service Center/Department or call the 1-800 number listed on the front of this manual. We have competent, well-trained technicians and the proper tools to service or repair this unit.

Please read and retain this manual. The instructions will enable you to assemble and maintain your high pressure washer properly. Always observe the "SAFETY RULES."

MODEL NUMBER	580.741380
SERIAL NUMBER	_____
DATE OF PURCHASE	_____

THE MODEL AND SERIAL NUMBERS WILL BE FOUND ON A DECAL ATTACHED TO THE PRESSURE WASHER.

YOU SHOULD RECORD BOTH SERIAL NUMBER AND DATE OF PURCHASE AND KEEP IN A SAFE PLACE FOR FUTURE REFERENCE.

### MAINTENANCE AGREEMENT

A Sears Maintenance Agreement is available on this product. Contact your nearest Sears store for details.

### CUSTOMER RESPONSIBILITIES

- Read and observe the safety rules.
- Follow regular schedule in maintaining, caring for and using your high pressure washer.
- Follow the instructions under "Customer Responsibilities" and "Storage" sections of this Owner's Manual.

## PRODUCT SPECIFICATIONS

### Pressure Washer Specifications

PUMP PRESSURE	Adjustable to 1500 psi
FLOW RATE	2 gpm
DETERGENT MIX	Use undiluted detergent
DETERGENT RATIO	Adjustable to 26:1
WATER SUPPLY TEMPERATURE	Not to exceed 140°F

### Engine Specifications

ENGINE MODEL	Briggs & Stratton
RATED HORSEPOWER	3.8
DISPLACEMENT	9.67 cu. inches (158cc)
SPARK PLUG: Type:	Champion RJ-8C or equivalent
Set Gap To:	0.030 inch (0.76mm)
GASOLINE CAPACITY	1-1/2 U.S. quarts
OIL (20 oz. capacity)	SAE 30 weight
SOLID STATE IGNITION AIR GAP	0.0125 inch

In the State of California a spark arrestor is required by law (Section 4442 of the California Public Resources Code). Other states may have similar laws. Federal laws apply on federal lands.

**NOTE:** If you equip the engine of your pressure washer with a spark arrestor muffler, the spark arrestor must be maintained in effective working order by the owner/operator.

You can order a spark arrestor through your Sears Service Center. See Repair Parts section of engine for part numbers.

### FULL ONE YEAR WARRANTY ON CRAFTSMAN HIGH PRESSURE WASHER

For one year from the date of purchase, when this Craftsman High Pressure Washer is maintained and operated according to the instructions in the owner's manual, Sears will repair, free of charge, any defect in material and workmanship. If this washer is used for commercial purposes, this warranty applies for only 90 days from the date of purchase. If this high pressure washer is used for rental purposes, this warranty applies for only 30 days after date of purchase.

This warranty does not cover:

- Expendable items such as spark plugs and air filters, which become worn during normal use.
- Repairs necessary because of operator abuse or negligence, including damage resulting from no water being supplied to pump or failure to maintain the equipment according to the instructions contained in the owner's manual.

WARRANTY SERVICE IS AVAILABLE BY RETURNING THE HIGH PRESSURE WASHER TO THE NEAREST SEARS SERVICE CENTER/DEPARTMENT THROUGHOUT THE UNITED STATES.

This warranty gives you specific legal rights and you may also have other rights, which vary from state to state.

SEARS, ROEBUCK AND CO., D/817 WA, Hoffman Estates, IL 60179



# TABLE OF CONTENTS

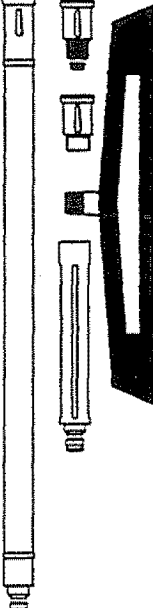

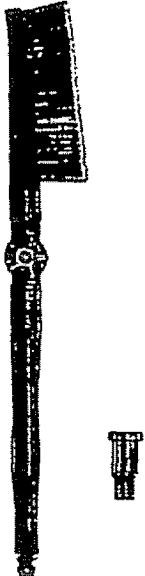
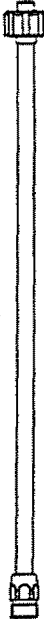



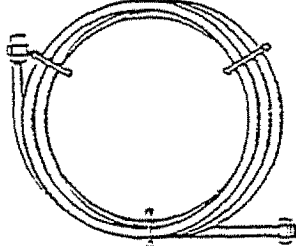
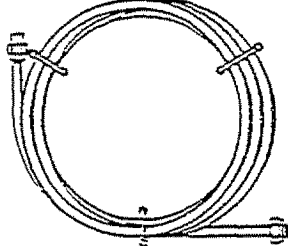
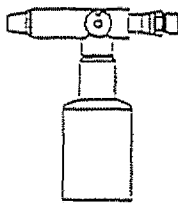
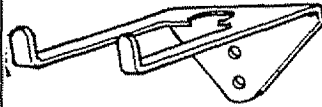




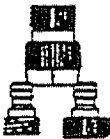

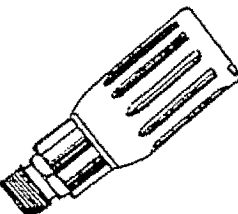
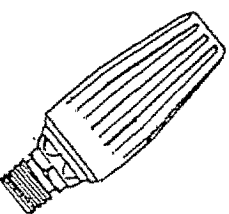
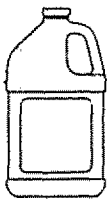
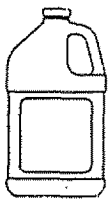
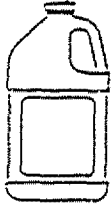


SAFETY RULES .....	2	OPERATION .....	12-14
PRODUCT SPECIFICATIONS .....	3	CUSTOMER RESPONSIBILITIES .....	15-17
WARRANTY .....	3	SERVICE AND ADJUSTMENTS .....	17
ACCESSORIES AND ATTACHMENTS.....	5	STORAGE .....	18
CONTENTS OF HARDWARE PACK.....	6	TROUBLESHOOTING .....	19
KNOW YOUR HIGH PRESSURE WASHER .....	7	REPLACEMENT PARTS .....	20-27
ASSEMBLY .....	8-11	ORDERING PARTS.....	BACK PAGE

## INDEX

<b>- A -</b>	<b>- H -</b>	<b>- R -</b>
Accessories ..... 5	Hardware Pack ..... 6	Replacement Parts ..... 20-27
Adjustable Nozzle .... 13,14,17	High Pressure Hose..... 7, 9	
Air Cleaner ..... 7, 16		<b>- S -</b>
	<b>- M -</b>	Safety Latch ..... 12
<b>- B -</b>	Maintenance	Safety Rules ..... 2
Before Each Use ..... 15	Agreement..... 3	Service and Adjustments ... 17
Before Starting the Engine .. 10	Engine ..... 16	Siphoning ..... 14
<b>- C -</b>	Pressure Washer..... 15	Specifications ..... 3
Carburetor..... 17	Schedule ..... 15	Spray Gun..... 13,14,17
Cleaning Tips ..... 14		Starting Instructions
Customer Responsibilities 3, 15	<b>- O -</b>	Before Starting the Engine .... 10
Changing Oil..... 10, 16	Oil, Engine ..... 10	Checklist Before Starting ..... 11
Checking Oil Level ..... 16	Operation	Know Your Pressure Washer ... 7
General Recommendations ... 15	Detergent Application ..... 14	Preparing for First Use ..... 8
Pressure Washer Maintenance . 15	Getting Started..... 12	Removing from Carton ..... 8
Replace Spark Plug ..... 17	How to Use ..... 13	To Assemble Components..... 9
Service Air Cleaner..... 16	Stopping..... 12	Storage
	To Start Engine ..... 12	Engine..... 18
<b>- E -</b>	To Turn on Washer ..... 12	Pressure Washer Pump ..... 18
Engine Speed..... 17	Order Parts ..... back page	
<b>- G -</b>		<b>- T -</b>
Guide Handle ..... 8	<b>- P -</b>	Troubleshooting ..... 19
	Pressure Regulator ..... 14	
		<b>- W -</b>
		Warranty ..... 3

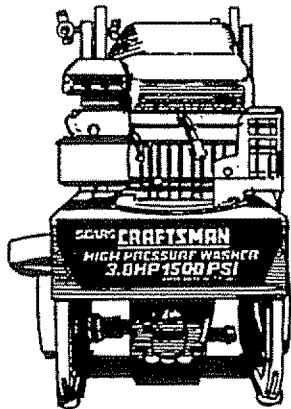
# ACCESSORIES AND ATTACHMENTS

These accessories and attachments were available when the high pressure washer was purchased. They are also available at most Sears retail outlets and service centers. Most Sears stores can order these items for you when you provide the model number of your high pressure washer. FOR THE LIST OF ACCESSORIES AND THEIR PART NUMBERS, REFER TO THE REPLACEMENT PARTS SECTION IN THE BACK OF THE MANUAL.

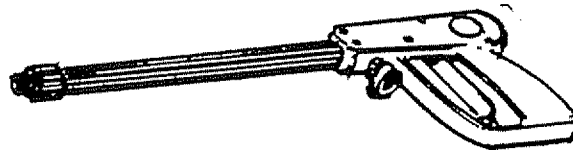
						
<p>FLOOR/SIDING BRUSH KIT</p>	<p>ROTATING BRUSH KIT</p>	<p>UTILITY BRUSH KIT</p>	<p>18" STAINLESS STEEL EXTENSION</p>	<p>ELECTRIC TURBO NOZZLE</p>	<p>ANGLE EXTENSION KIT</p>	<p>TURBO NOZZLE EXTENSION</p>
						
<p>1/4" I.D. 25 ft. EXTENSION HOSE</p>	<p>3/8" I.D. 50 ft. EXTENSION HOSE</p>	<p>CHEMICAL INJECTION FOAMER</p>	<p>ACCESSORY SERVICE BRACKET KIT</p>			
						
<p>HIGH PRESSURE HOSE QUICK CONNECT KIT</p>	<p>ACCESSORY QUICK CONNECT</p>	<p>ACCESSORY QUICK CONNECT STARTER KIT</p>	<p>HIGH PRESSURE HOSE TO HOSE COUPLING</p>	<p>GARDEN HOSE QUICK CONNECT WITH 2 ADAPTORS</p>	<p>PRESSURE GAUGE</p>	
						
<p>TURBO NOZZLE 1600 and 1900 PSI</p>	<p>TURBO NOZZLE 2200 and 2500 PSI</p>	<p>MULTI-PURPOSE/HOUSE WASH</p>	<p>DECK WASH</p>	<p>VEHICLE/BOAT WASH</p>	<p>DEGREASER</p>	<p>WAX</p>

# CONTENTS OF HARDWARE PACK

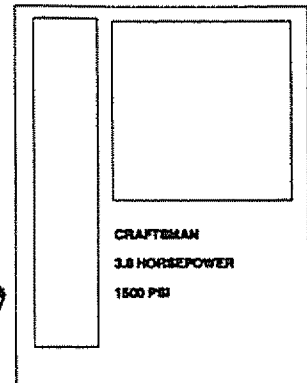
## Parts packed separately in carton



Main Unit



Spray Gun Assembly



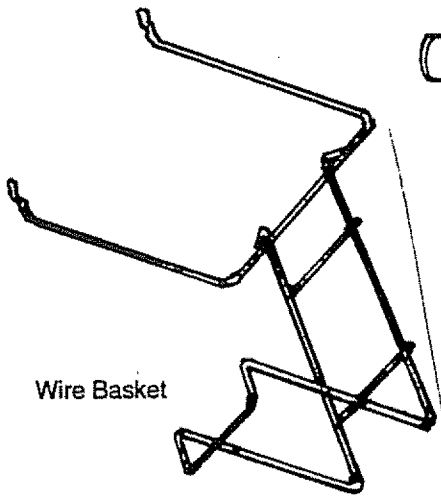
Owner's Manual



Adjustable Nozzle Extension



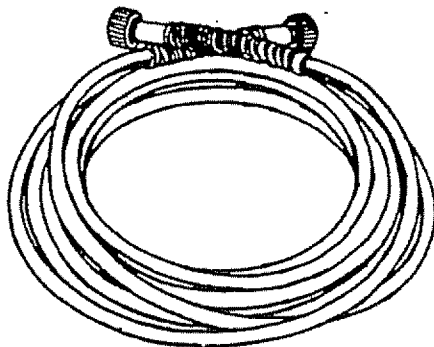
Turbo Nozzle Extension



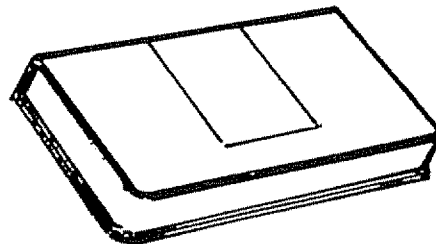
Wire Basket



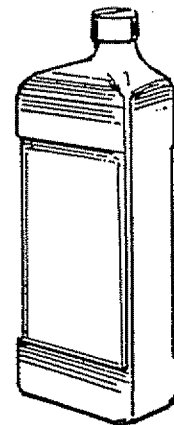
Nozzle Cleaner Kit



High Pressure Hose



Product Introduction Videotape

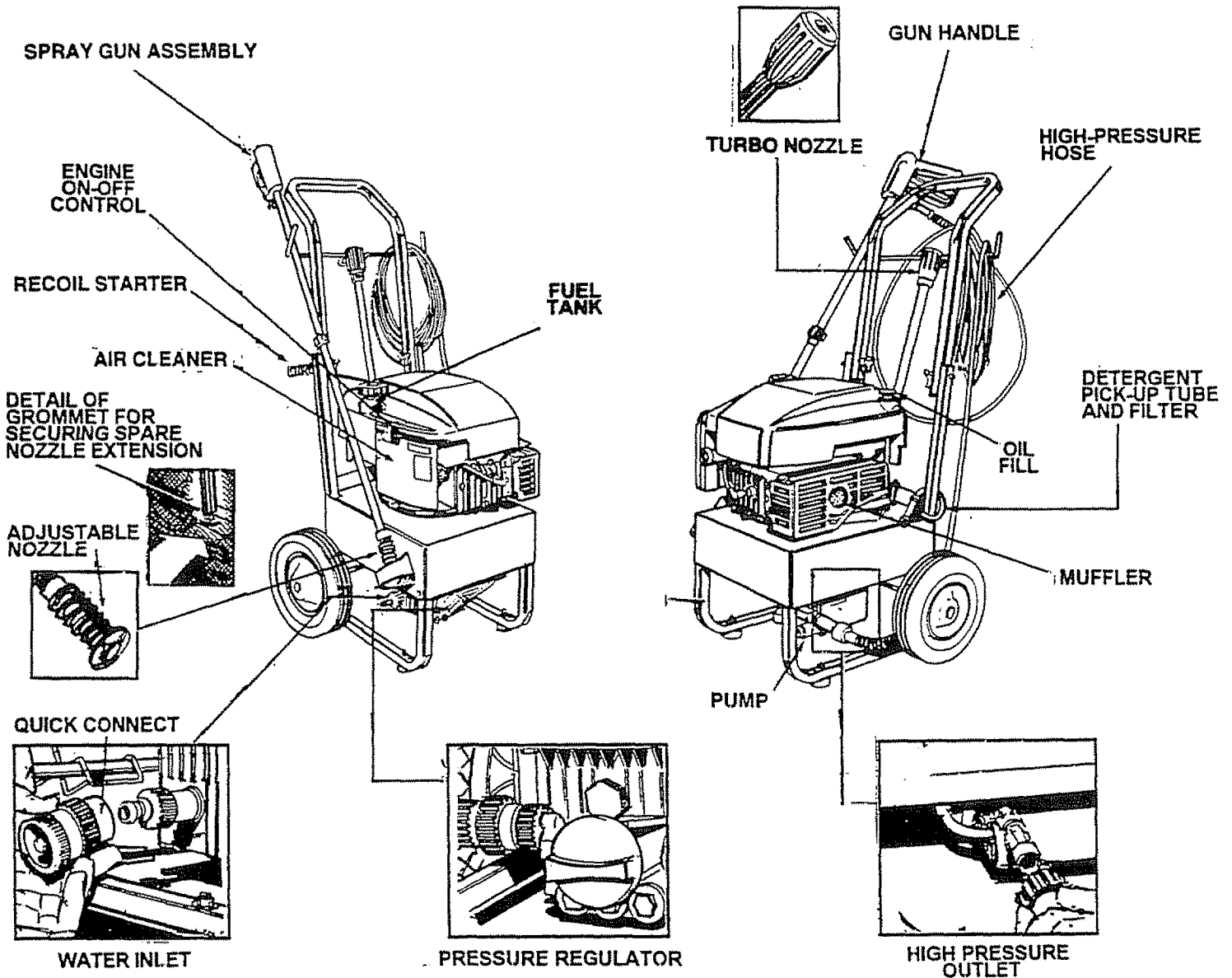


Engine Motor Oil

# OPERATION

## KNOW YOUR HIGH PRESSURE WASHER

READ THIS OWNER'S MANUAL AND SAFETY RULES BEFORE OPERATING YOUR HIGH PRESSURE WASHER. Compare the illustrations with your high pressure washer to familiarize yourself with the locations of various controls and adjustments. Save this manual for future reference.



**PUMP** — Develops high pressure.

**PRESSURE REGULATOR** — Allows you to adjust the pressure of the outlet stream.

**ENGINE ON-OFF CONTROL** — Sets engine in starting mode for recoil starter; turns OFF running engine.

**RECOIL STARTER** — Used for starting engine manually.

**AIR CLEANER** - Dry type filter element limits the amount of dirt and dust that gets in the engine.

**SPRAY GUN ASSEMBLY** — Controls the application of water onto cleaning surface with trigger device. Includes safety latch.

**HIGH PRESSURE HOSE** — Connect one end to water pump and other to spray wand.

**DETERGENT PICKUP TUBE AND FILTER** — Mixes water and detergent in outlet water flow.

**HIGH PRESSURE OUTLET** — Connection for high pressure hose.

**TURBO NOZZLE** — Expands the surface area of the high pressure spray.

**QUICK-CONNECT** — Easy connection for intake water supply.

# ASSEMBLY

Read entire Owner's manual before you attempt to assemble or operate your new pressure washer. Your new pressure washer has been assembled at the factory with exception of those parts left unassembled for shipping purposes.

## REMOVE PRESSURE WASHER FROM CARTON

- Open the carton and remove loose parts and parts box included with carton.
- Cut two corners of carton and lay the end panel flat.
- Remove all packing material.
- Roll pressure washer out of carton and check carton thoroughly for additional loose parts.

Refer to Page 6, "Contents of Hardware Pack" for an illustrated listing of all items included with your pressure washer. Become familiar with each piece before assembling pressure washer. Check all contents against illustrations on Page 6. If any parts are missing or damaged, call the Pressure Washer Helpline at 1-800-222-3136.

## PREPARING THE PRESSURE WASHER FOR FIRST USE

IF YOU HAVE ANY PROBLEMS WITH THE ASSEMBLY OF YOUR PRESSURE WASHER, PLEASE CALL THE PRESSURE WASHER HELPLINE AT 1-800-222-3136.

For the most part, your Sears Craftsman High Pressure Washer has been assembled at the factory. To prepare your pressure washer for operation, however, you will need to perform these tasks:

- Raise the Guide Handle and attach the wire basket that holds chemicals
- Connect high pressure hose to the spray gun and the pump and connect water supply to the pump.
- Add oil to engine crankcase and add fuel to fuel tank

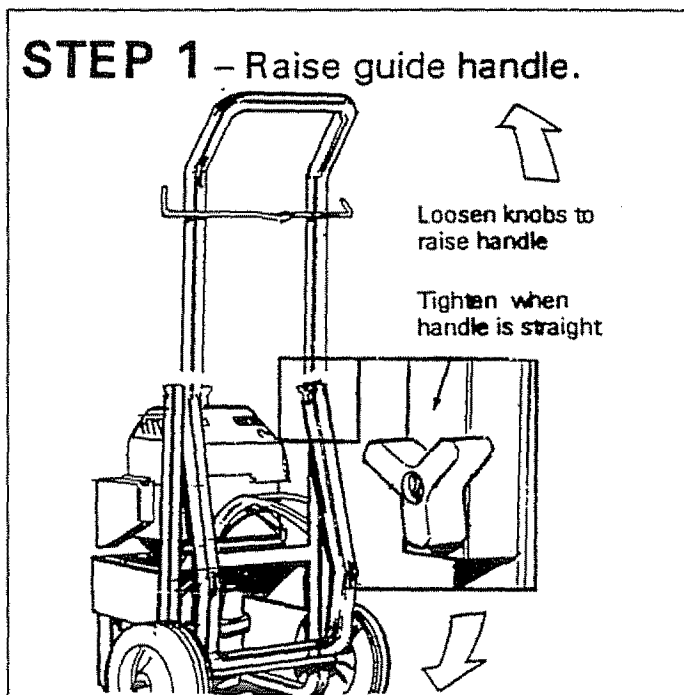


FIG. 1

**STEP 2 – Take wire basket and insert prongs of basket into holes on cradle base located behind the engine.**

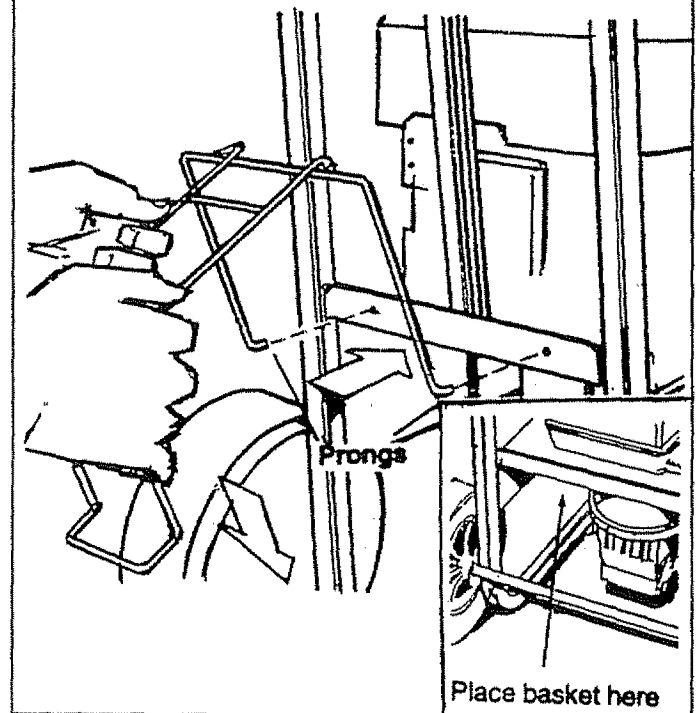


FIG. 2

**STEP 3 – Fit basket on axle**

After you have inserted prongs into holes, swing the basket down. Hold basket as shown in Fig. 3.

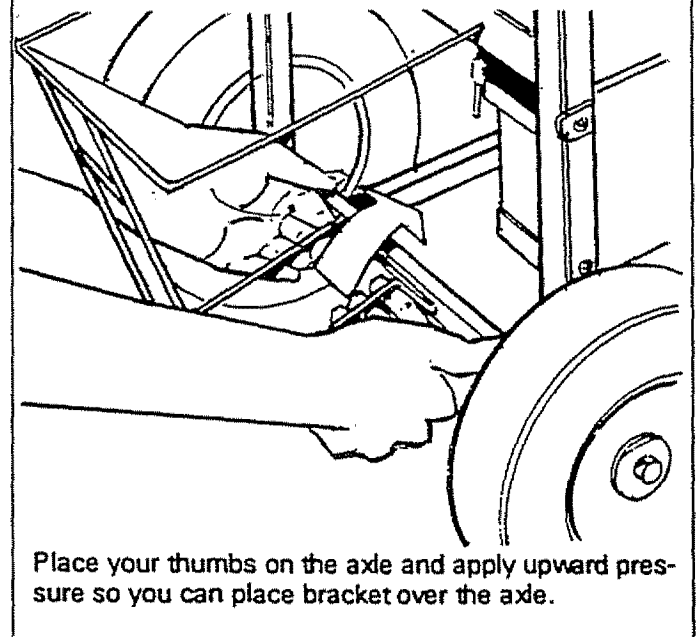


FIG. 3

## ASSEMBLY

### TO ASSEMBLE REMAINING COMPONENTS

**IMPORTANT:** YOU MUST ASSEMBLE WAND AND ATTACH ALL HOSES BEFORE YOU START ENGINE. STARTING ENGINE WITHOUT ALL HOSES CONNECTED AND WATER SUPPLIED WILL DAMAGE PUMP.

- Unravel high pressure hose and attach one end of hose to the base of the spray gun (Fig. 4). Tighten by hand.

### STEP 4 – Connect high pressure hose to spray gun

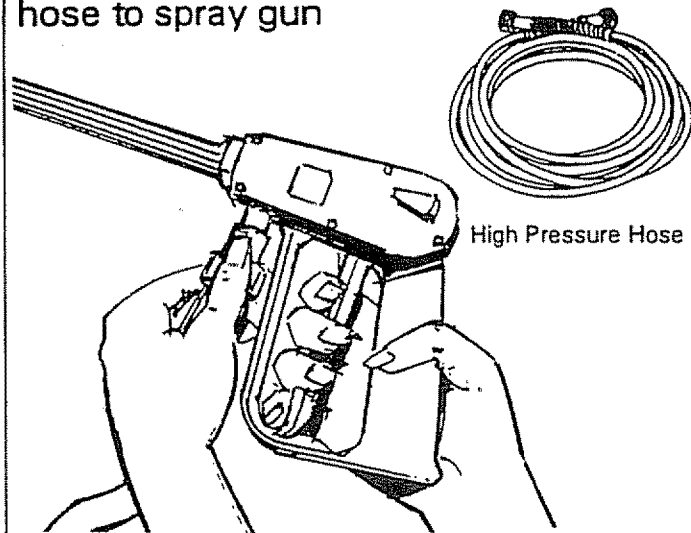


FIG. 4

- Attach other end of high pressure hose to the high pressure fitting on the pump (Fig. 5). Tighten by hand.

### STEP 5 – Remove red cap from high pressure outlet and connect high pressure hose to pump.

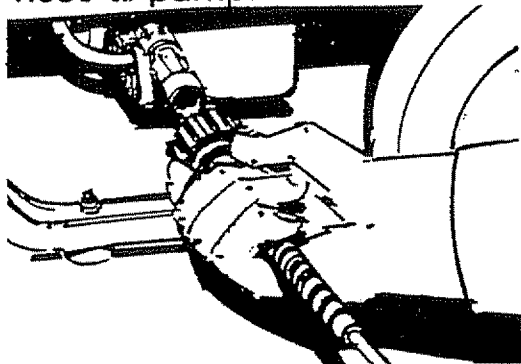


FIG. 5

- Included with this unit is a Quick-Connect fitting that comes attached to Water Inlet on the pump. The quick-connect includes two parts — a Male Connector and a Female Connector (Fig. 6). Inspect Inlet Screen on female connector. Clean it if it contains debris or have it replaced if it is damaged. **DO NOT RUN THE PRESSURE WASHER IF THE SCREEN IS DAMAGED.**

### STEP 6 — Remove yellow cap from quick-connect, connect garden hose to quick-connect and turn ON the water.

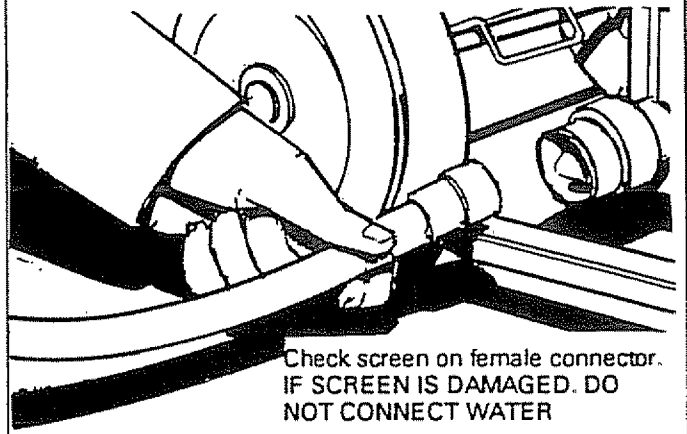


FIG. 6

### STEP 7 — Squeeze trigger to purge pump system of air and impurities.

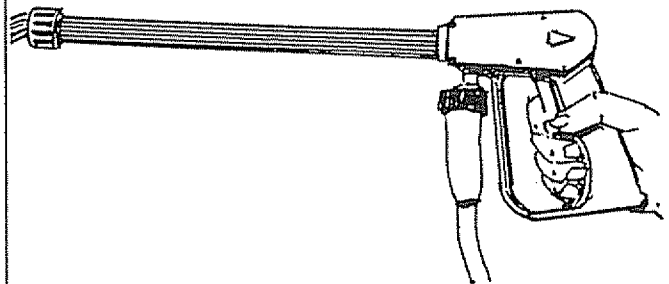
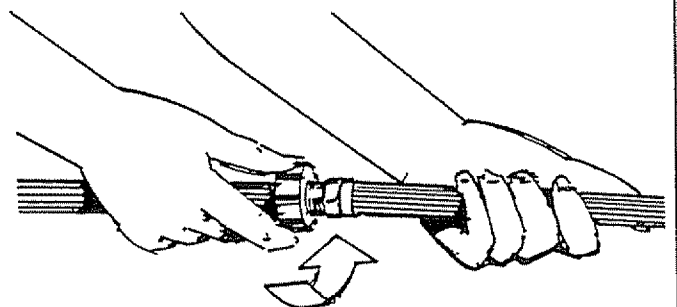


FIG. 7

### STEP 8 – Connect adjustable nozzle extension to spray gun.



Attach adjustable nozzle extension by inserting it into the end of the spray gun and tightening the black connector.

FIG. 8

## ASSEMBLY

**STEP 9** – Place assembled spray gun on holder and place turbo nozzle in storage holder. Hang hose on its holder.

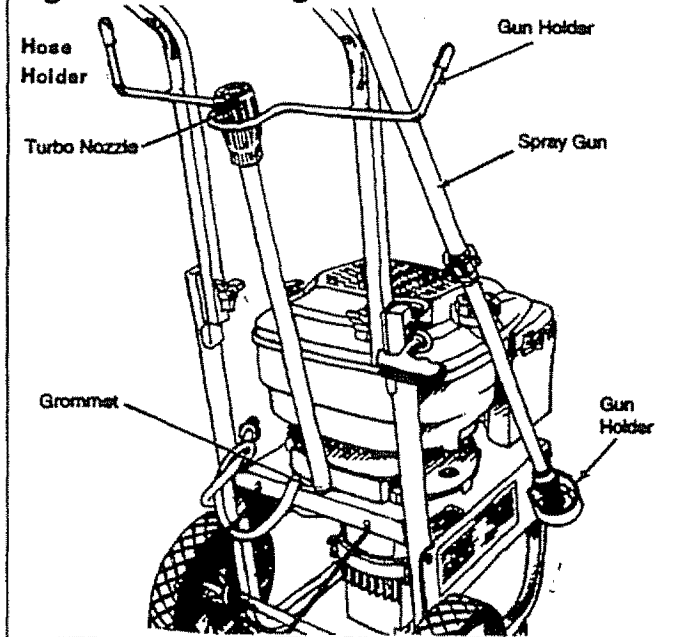


FIG. 9

### BEFORE STARTING THE ENGINE

Before you operate your pressure washer, you should prepare the engine for the initial starting. To operate the engine you will need the following:

#### ENGINE OIL

**IMPORTANT:** ANY ATTEMPT TO CRANK OR START THE ENGINE BEFORE IT HAS BEEN PROPERLY SERVICED WITH THE RECOMMENDED OIL RESULTS IN AN ENGINE FAILURE.

A 20 oz. bottle of SAE 30 weight oil is included in the parts carton. YOU MAY NOT USE ALL OIL IN THE BOTTLE.

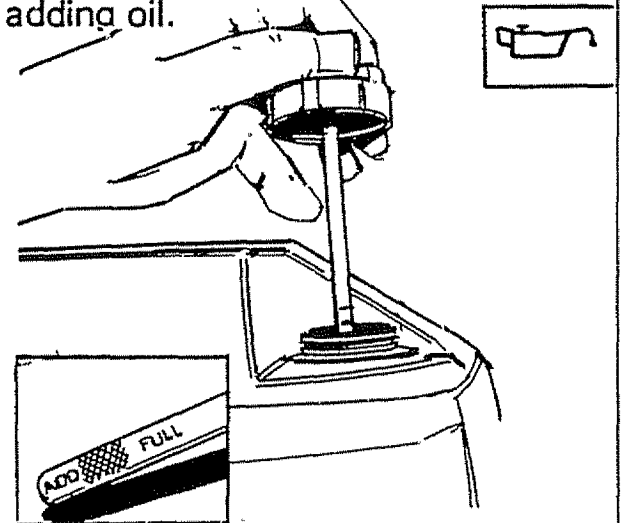
**NOTE:** When adding oil to the engine crankcase in the future, use only high quality detergent oil rated with API service classification SF, SG or SH, rated SAE 30 weight. Select the oil's viscosity grade according to your expected operating temperature.

colder	32°F	warmer
5W30	↑	SAE 30

Although multi-viscosity oils (5W30, 10W30, etc.) improve starting in cold weather, these multi-viscosity oils will result in increased oil consumption when used above 32°F. Check your engine oil level more frequently to avoid possible damage from running low on oil. Oil sump capacity is 20 ounces.

- Position pressure washer so engine is level.
- Clean area around oil fill and remove oil dipstick (Fig. 10).

**STEP 10** – Add oil to engine crankcase. Do not attempt to start engine without adding oil.



Should fill to FULL mark on dipstick. Use the same grade oil when oil is changed.

FIG. 10

- Wipe dipstick clean, insert it into oil fill hole and tighten securely. Remove oil dipstick. If oil is not up to FULL MARK on dipstick, add recommended oil. POUR SLOWLY.
- Wipe dipstick clean each time oil level is checked.
- Pour oil from the enclosed bottle into the oil fill opening.
- Install oil dipstick, hand tighten securely.

# ASSEMBLY

## ADD GASOLINE



**WARNING: NEVER FILL FUEL TANK INDOORS. NEVER FILL FUEL TANK WHEN ENGINE IS RUNNING OR HOT. DO NOT SMOKE WHEN FILLING FUEL TANK.**



**WARNING: NEVER FILL FUEL TANK COMPLETELY FULL. FILL TANK TO ABOUT 1/2" BELOW THE BOTTOM OF FILLER NECK TO PROVIDE SPACE FOR FUEL EXPANSION. WIPE AWAY ANY FUEL SPILLAGE FROM ENGINE AND EQUIPMENT BEFORE STARTING.**

The manufacturer recommends fresh, clean, unleaded regular automotive gasoline with a minimum of 77 octane (Leaded regular grade is an acceptable substitute). Tank capacity is 1-1/2 U.S. quarts.

- Use clean fuel and store in approved, clean covered containers. Use clean fill funnels. Never use "stale" gasoline left over from last season or gasoline stored for long periods.

**IMPORTANT: IT IS IMPORTANT TO PREVENT GUM DEPOSITS FROM FORMING IN ESSENTIAL FUEL SYSTEM PARTS SUCH AS THE CARBURETOR, FUEL FILTER, FUEL HOSE OR TANK DURING STORAGE. ALSO, EXPERIENCE INDICATES THAT ALCOHOL-BLENDED FUELS (CALLED GASOHOL OR USING ETHANOL OR METHANOL) CAN ATTRACT MOISTURE WHICH LEADS TO SEPARATION AND FORMATION OF ACIDS DURING STORAGE. ACIDIC GAS CAN DAMAGE THE FUEL SYSTEM OF AN ENGINE WHILE IN STORAGE. TO AVOID ENGINE PROBLEMS, THE FUEL SYSTEM SHOULD BE EMPTIED BEFORE STORAGE OF 30 DAYS OR LONGER. SEE "STORAGE" ON PAGE 17. NEVER USE ENGINE OR CARBURETOR CLEANER PRODUCTS IN FUEL TANK OR PERMANENT DAMAGE MAY OCCUR.**

- Clean area around fuel fill cap, remove cap (Fig. 11).
- Add "UNLEADED" regular gasoline, slowly, to fuel tank.

## STEP 11 — Add gasoline to fuel tank.

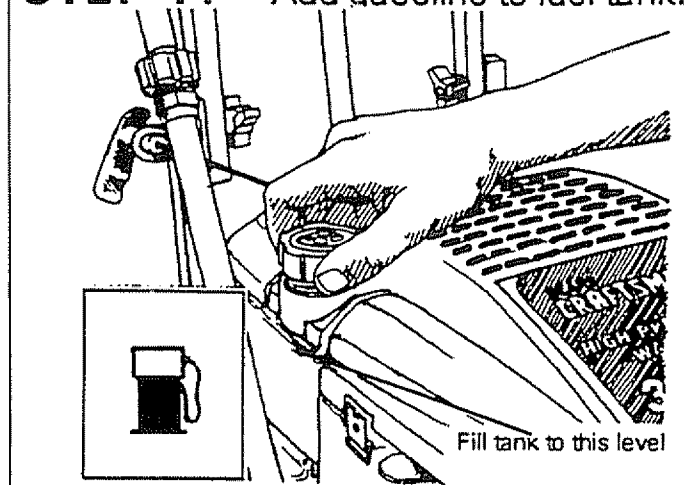


FIG. 11

- Install fuel cap and wipe up any spilled gasoline.

## CHECKLIST BEFORE STARTING ENGINE

If you have reached this point, look back over the assembly to see if you have performed all of the following.

- Check for proper hose connections (high pressure and water supply) and for tight connections and that there are no kinks, cuts, or damage to the high pressure hose.
- Check that oil has been added to proper level in engine crankcase before trying to start the pressure washer.
- Add proper gasoline to fuel tank.
- Provide proper water supply (not to exceed 140°F).
- Be sure to read "Safety Rules" and "Operation" sections before using the pressure washer.

**IMPORTANT: DURING THE OPERATION OF THIS PUMP A SMALL AMOUNT OF WATER WILL WEEP FROM THE BOTTOM OF THE PUMP. THIS IS A NORMAL CONDITION AS WATER IS USED TO LUBRICATE THE SEALS IN THE PUMP, SEE FIGURE 11A.**

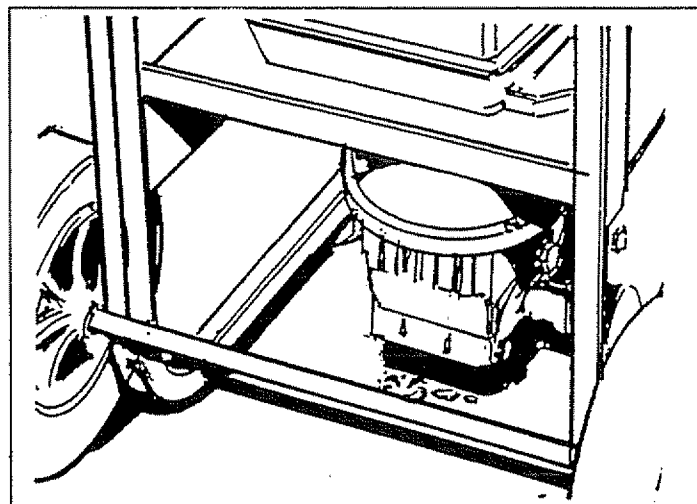


FIG. 11A

# OPERATION

## GETTING STARTED

IF YOU HAVE ANY PROBLEMS OPERATING YOUR PRESSURE WASHER, PLEASE CALL THE PRESSURE WASHER HELPLINE AT 1-800-222-3136.

You have just assembled your high pressure washer and have prepared the engine for starting. You now are ready to clean your car or boat or whatever you plan to clean.

## HOW TO START YOUR ENGINE

**THE BEST WAY TO START YOUR ENGINE-POWERED PRESSURE WASHER FOR THE FIRST TIME IS TO FOLLOW THESE INSTRUCTIONS STEP-BY-STEP. THIS STARTING INFORMATION ALSO APPLIES WHENEVER YOU START THE ENGINE AFTER YOU HAVE LET THE PRESSURE WASHER SIT IDLE FOR AT LEAST A DAY.**

- Place the pressure washer in an area close enough to an outside water source that can flow at a rate of three (3) gallons per minute. Connect a garden hose to the water spout.
- Check that the high pressure hose is tightly connected to the spray gun and to the pump. See ASSEMBLY section for illustrations.
- Check that garden hose is tightly connected to water inlet opening on the pressure washer pump and that water is turned ON.
- Adjust engine throttle control to RUN position (Fig. 12).

### STEP 12 – Set throttle control switch to RUN position.

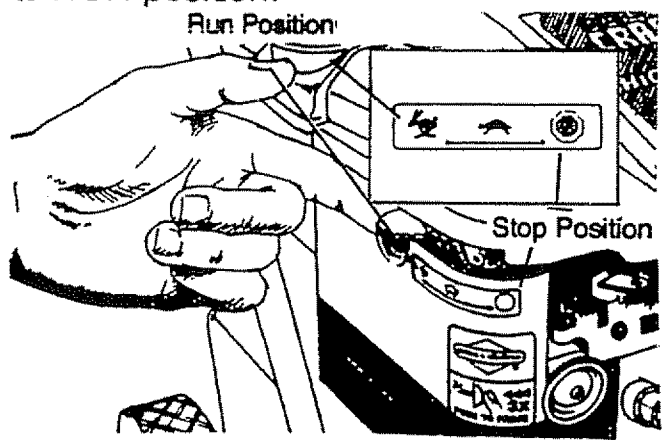


FIG. 12

- Squeeze the trigger on the spray gun to relieve the air pressure caused by turning ON the water. Water will spew out the gun in a thin stream. This will make it easier to pull start the engine.
- Apply the safety latch to the spray gun trigger (Fig. 13).
- Press primer bulb firmly 5 times (Fig. 14).
- Grasp rope handle and pull slowly until you feel some resistance. Keep fingers of other hand away from rotating flywheel. Then pull cord rapidly to overcome compression, prevent kickback and start the engine.

### STEP 13 – Squeeze trigger to relieve water pressure and engage safety latch in ON position.

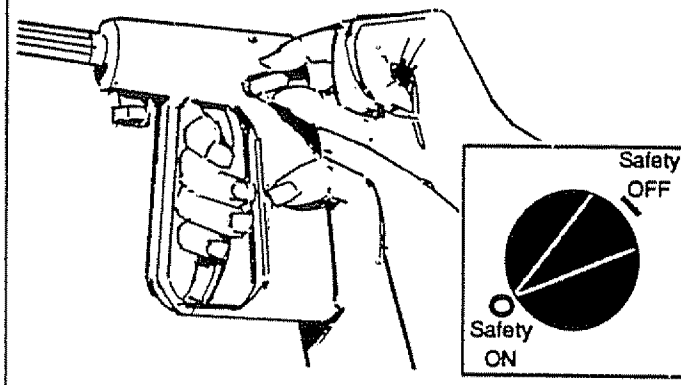


FIG. 13

### STEP 14 – Press primer bulb 5 times.

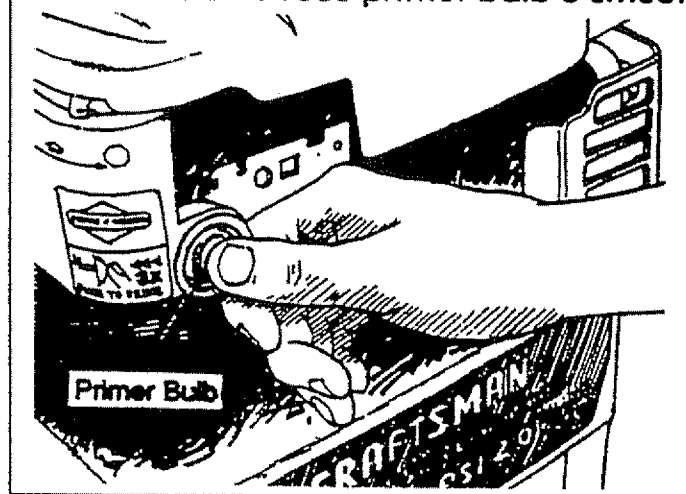


FIG. 14

- If engine fails to start after three pulls, prime the engine 3 times again, press trigger to relieve pressure, release the trigger and pull starter rope again.
- Once engine has started, place Safety Latch in OFF position.

## STOPPING YOUR PRESSURE WASHER

**IMPORTANT: DO NOT RUN PUMP WITHOUT THE WATER SUPPLY CONNECTED AND TURNED ON. YOU MUST FOLLOW THIS CAUTION OR THE PUMP WILL BE DAMAGED.**

- First, move engine throttle lever to "STOP" position (Fig. 12).
- Simply shutting OFF engine will not release pressure in the system. Pull the trigger on the spray wand assembly to relieve the pressure in the hose.

**NOTE:** A small amount of water will squirt out when you release the pressure.

# OPERATION

## HOW TO USE YOUR WASHER

You now should know how to START your pressure washer and how to STOP it. The information in this section will tell you how to adjust the spray pattern and apply detergent or any other cleaning chemicals.

## HOW TO USE ADJUSTABLE NOZZLE



**WARNING: NEVER ADJUST SPRAY PATTERN WHEN SPRAYING. NEVER PUT HANDS IN FRONT OF SPRAY NOZZLE TO ADJUST SPRAY PATTERN. YOU COULD BE INJURED.**

On the end of your spray gun is a nozzle that you can slide forward and backward and that you can also twist from side to side. This adjustable nozzle takes the place of buttons or dials. With the adjustable nozzle you can adjust the spray pattern to be either high pressure or low pressure. You can also adjust the spray so it is concentrated in a stream pattern or expanded into a fan pattern. Use this nozzle to apply detergent.

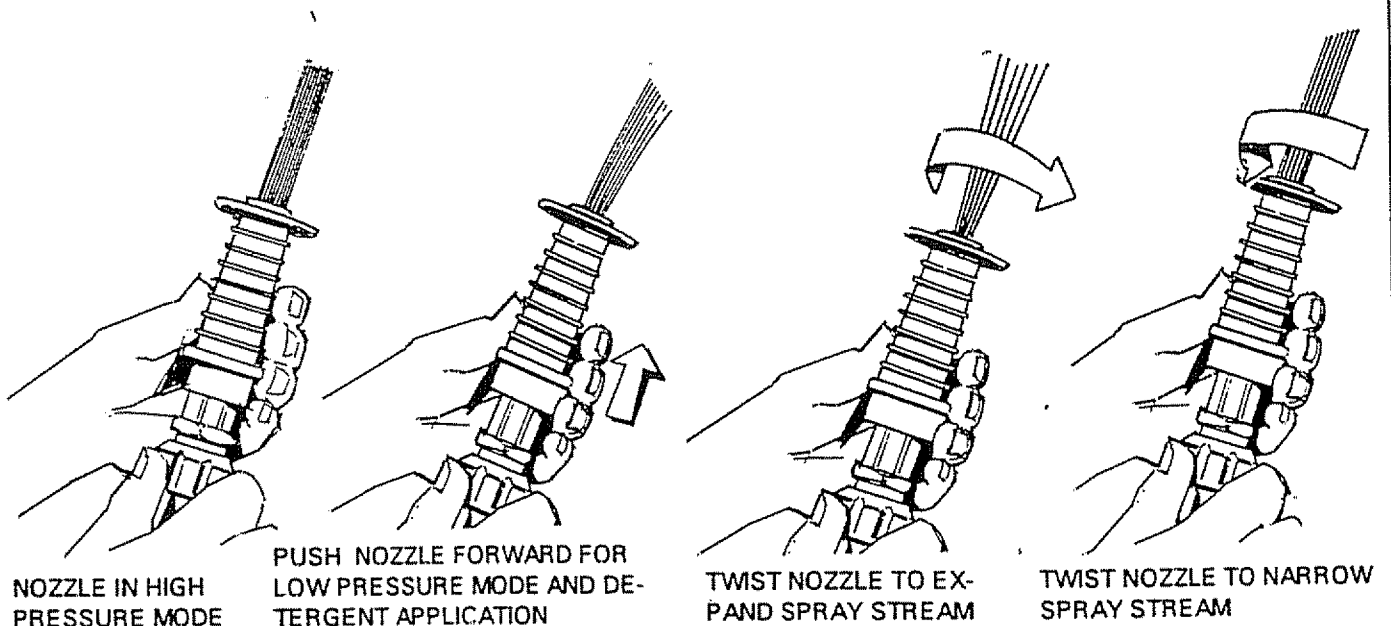
- Slide the nozzle forward when you wish to adjust the spray to low pressure mode (Fig. 15). Slide the nozzle backward to achieve high pressure.
- Point the nozzle toward the ground and press the trigger to test the pattern (Fig. 16).
- Twisting the nozzle adjusts the spray pattern from a narrow stream to an expanded stream.
- For most effective cleaning, keep spray nozzle between 8 to 24 inches of cleaning surface.



FIG. 16

- If you get the spray nozzle too close, especially using high pressure mode, you may damage the cleaning surface.
- Do not get closer than 6 inches when cleaning automobile tires.

## SPRAY ADJUSTMENT



NOZZLE IN HIGH PRESSURE MODE

PUSH NOZZLE FORWARD FOR LOW PRESSURE MODE AND DETERGENT APPLICATION

TWIST NOZZLE TO EXPAND SPRAY STREAM

TWIST NOZZLE TO NARROW SPRAY STREAM

FIG. 15

# OPERATION

- You can also adjust the pressure by turning the Regulator Knob (Fig. 17) to the desired pressure setting. Turning this knob all the way clockwise produces the highest pressure.

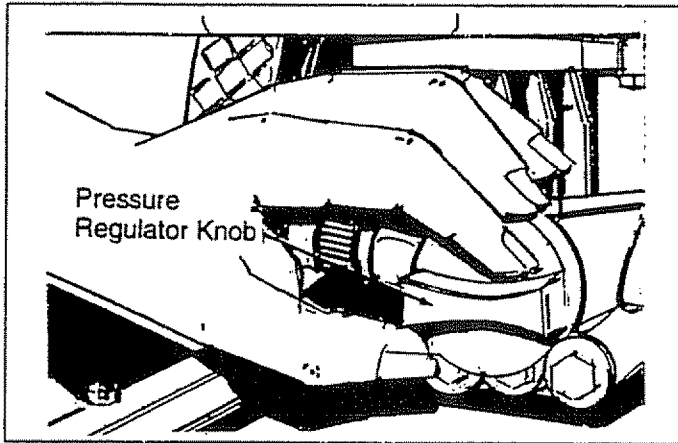


FIG. 17

## APPLYING DETERGENT WITH ADJUSTABLE NOZZLE

**IMPORTANT:** USE SOAPS DESIGNED SPECIFICALLY FOR PRESSURE WASHERS. HOUSEHOLD DETERGENTS COULD DAMAGE THE PUMP.

**IMPORTANT:** YOU MUST ATTACH ALL HOSES BEFORE YOU START THE ENGINE. STARTING THE ENGINE WITHOUT ALL THE HOSES CONNECTED AND THE WATER TURNED ON WILL DAMAGE THE PUMP.

TO APPLY DETERGENT FOLLOW THESE STEPS:

- Review the use of adjustable nozzles on Page 13.
- Prepare detergent solution as required by your job.
- Place small filter of clear, detergent siphoning tube into detergent container (Fig. 18) placed in the wire basket.

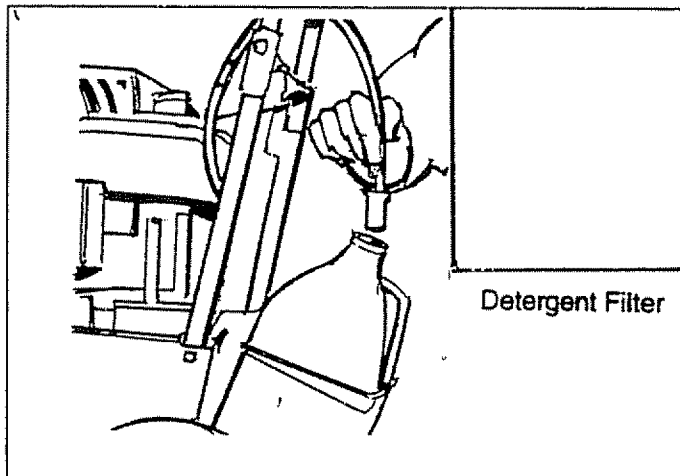


FIG. 18

- Slide the adjustable nozzle forward (Fig. 15) to low pressure mode. Detergent cannot be applied with nozzle in high pressure position.

**IMPORTANT:** DETERGENT CANNOT BE APPLIED WITHOUT THE WATER SOURCE TURNED ON.

- Connect garden hose to water inlet, check that high pressure hose is connected to spray gun and pump, and start engine. Apply detergent to a dry surface, starting from the bottom and working up.
- Allow the detergent to soak in between 3-5 minutes before washing and rinsing.
- For cleaning, start at lower portion of area to be washed and work upward, using long, even overlapping strokes.
- For rinsing, push nozzle sleeve to high pressure and wait for detergent to clear. Start at top of area to be rinsed, working down with same action as for cleaning.
- You can also stop detergent from flowing by simply removing siphon from bottle.

## PRESSURE WASHING/RINSING



**WARNING:** BE EXTREMELY CAREFUL IF YOU MUST USE PRESSURE WASHER FROM LADDER, SCAFFOLDING OR ANY OTHER RELATIVELY UNSTABLE LOCATION. PRESSURE IN A RUNNING WASHER BUILDS IN THE WAND AS YOU CLIMB. WHEN YOU PRESS THE TRIGGER, THE RECOIL FROM THE INITIAL SPRAY COULD FORCE YOU TO FALL, OR IF YOU ARE TOO CLOSE TO THE CLEANING SURFACE, HIGH PRESSURE COULD FORCE YOU OFF CLIMBING APPARATUS.

- Work from the top of the surface to the bottom.
- Initially clean an area and then check the surface for damage. If no damage is found, you can assume it is okay to continue cleaning.

## TIPS

- Never use garden hose inlet to siphon detergent or wax or any water source other than household supplies.
- If you have the spray nozzle too far away, the cleaning will not be as effective.

## SIPHONING

We recommend that you DO NOT siphon your water supply from sources other than from connecting to a household water supply.

## HOW TO USE TURBO NOZZLE EXTENSION

- Follow Step 8 (Fig. 8 on Page 9) to properly install turbo nozzle extension.
- The rotating turbo nozzle, in essence, expands the area of the high pressure stream.
- You cannot adjust the spray pattern with this nozzle.
- You cannot apply detergent with this nozzle.

# CUSTOMER RESPONSIBILITIES

MAINTENANCE SCHEDULE FILL IN DATES AS YOU COMPLETE REGULAR SERVICE	HOURLY OPERATING INTERVAL				SERVICE DATES			
MAINTENANCE TASK	Before Each Use	Every 25 Hours or Yearly	Every 50 Hours or Yearly	Every 100 Hours or Yearly				
<b>PRESSURE WASHER</b>								
Check/clean inlet screen	X							
Check high pressure hose.	X							
Check detergent hose.	X							
Check gun and wand for leaks.	X							
<b>ENGINE</b>								
Check oil level.	X							
Change engine oil. ♦			X*					
Clean paper element of air cleaner				X**				
Replace/clean spark plug.				X				
Prepare for storage.	Prepare unit for storage if it is to remain idle longer than 30 days							

Clean if clogged. Replace if perforated or torn.

- ♦ Change oil after first 5 hours, then after every 50 hours.
- \* Change sooner when operating under heavy load or high ambient temperature.
- \*\* Clean more often under dusty conditions or when airborne debris is present.

## GENERAL RECOMMENDATIONS

The warranty of the high pressure washer does not cover items that have been subjected to operator abuse or negligence. To receive full value from the warranty, operator must maintain high pressure washer as instructed in this manual.

Some adjustments will need to be made periodically to properly maintain your high pressure washer.

All adjustments in the Service and Adjustments section of this manual should be made at least once each season.

- Once a year you should replace the spark plug and clean or replace the air filter and check the gun and wand assembly for wear. A new spark plug and clean air filter assure proper fuel-air mixture and help your engine run better and last longer.

## BEFORE EACH USE

- Check engine oil level.
- Check quick-connect screen for damage.
- Check high pressure hose for leaks.
- Check detergent inlet hose and filter for damage.
- Check gun and wand assembly for leaks.

## PRESSURE WASHER MAINTENANCE

**Check and Clean Inlet Screen:** Remove inlet screen from water inlet. Clean the screen if clogged or replace it if it is damaged.

**Check High Pressure Hose:** High pressure hose can develop leaks from wear, kinking, abuse. Check all hoses for cuts, leaks, abrasions or bulging of cover, or damage or movement of couplings. If any of these conditions exist, **replace** hose immediately.



**DANGER : WATER SPRAYING FROM A LEAK IS CAPABLE OF INJECTING MATERIAL INTO SKIN. INSPECT HOSE EACH TIME BEFORE USING IT. NEVER REPAIR HIGH PRESSURE HOSE. REPLACE IT WITH ANOTHER HOSE THAT MEETS MINIMUM PRESSURE RATING OF YOUR PRESSURE WASHER.**

**Check Detergent Hose:** Examine the filter on the detergent hose and clean if clogged. Hose should fit tightly on barbed fitting. Examine hose for leaks or tears. Replace the filter or hose if either is damaged.

**Check Gun and Wand:** Examine hose connection and make sure it is secure. Test trigger by pressing it and making sure it springs back into place when released. Put safety latch in ON position and test trigger. You should not be able to press trigger.

# CUSTOMER RESPONSIBILITIES

## Purge Pump of Air and Contaminants:

To remove the air from the pump, follow these steps:

- Set up the pressure washer as described in the ASSEMBLY section and connect the water supply.
- Remove the nozzle attachment from the gun.
- Pull the trigger on the gun and hold.

To remove the containments from the pump, follow these steps:

- Set up the pressure washer as described in the ASSEMBLY section, connect the water supply.
- Remove the nozzle attachment from the gun and start the engine according to instructions in the OPERATION section.
- Pull the trigger on the gun and hold.
- When the water supply is steady and constant, set safety latch on gun and refasten the nozzle attachment.

## ENGINE MAINTENANCE

### CHECKING OIL LEVEL

See "BEFORE STARTING ENGINE" for information on checking oil level. Oil level should be checked prior to each use or at least every 5 hours of operation. Keep oil level maintained.

### CHANGING OIL



**CAUTION:** Disconnect spark plug wire from spark plug and keep it away from spark plug.

Change oil after first 5 hours of operation. Change oil every 50 hours thereafter. If you are using your pressure washer under extremely dirty or dusty conditions, or in extremely hot weather, change oil more often.

Change oil while engine is still warm from running, as follows:

- Before you tip the pressure washer to drain the oil, drain the fuel tank by running pressure washer until fuel tank is empty.
- Clean area around oil fill, remove oil fill cap/dipstick. Wipe dipstick clean.
- Tip your pressure washer as shown in Fig. 19 to drain oil completely into a suitable container. When tipping the pressure washer, keep the engine muffler side up.
- Fill engine crankcase with recommended oil until oil level is at "FULL" point on oil dipstick. Do not overfill above that mark. About 20 ounces is required. POUR SLOWLY.
- When engine crankcase is filled to proper level, install and tighten oil dipstick.

### SERVICE AIR CLEANER

Your engine will not run properly and may be damaged if you run it using a dirty air cleaner.

Clean or replace the air cleaner paper filter once every 100 hours of operation or once a year, whichever comes first. Clean or replace more often if operating under dusty or dirty conditions. Replacements are available at your local Sears Authorized Service Center.

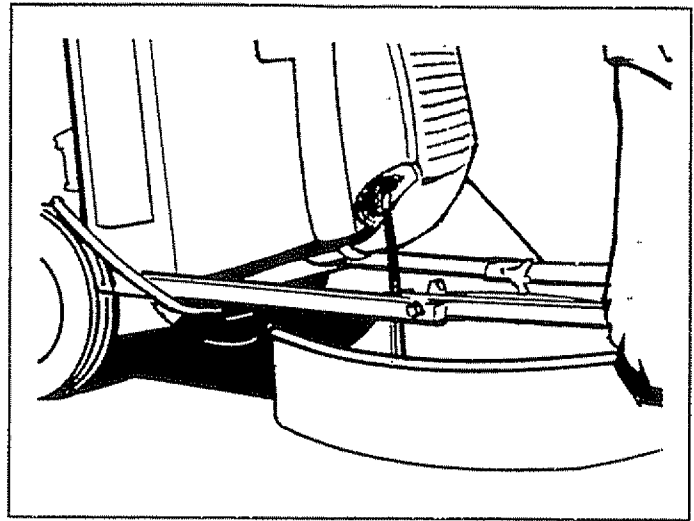


FIG. 19

To clean or replace air cleaner (Fig. 20), follow these steps:

- Remove screw.
- Remove cover air cleaner carefully. The screw will stay with the cover.

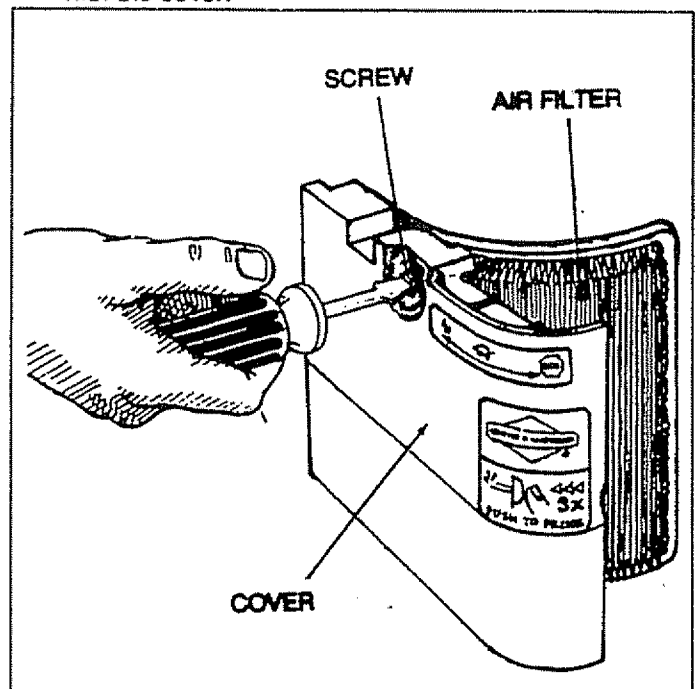


FIG. 20

- Remove the air filter from and examine it for damage.
- To service the paper air filter, clean it by tapping it gently on a flat surface. If very dirty or damaged, replace the air filter. Do NOT oil the air filter.
- Reassemble all parts and fasten securely to engine with screw.

## CUSTOMER RESPONSIBILITIES

### REPLACE SPARK PLUG

Change the spark plug every 100 hours of operation or once each year, whichever comes first. This will help engine to start easier and run better. See pressure washer specifications for the type of spark plug you need. Spark plug gap (Fig. 21) is 0.030 inch (0.76mm).

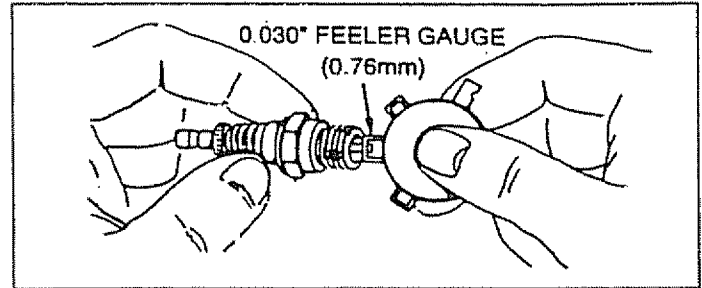


FIG. 21

## SERVICE AND ADJUSTMENTS

### CARBURETOR

If you think your carburetor needs adjusting, see your nearest Sears Service dealer. Engine performance may be affected in altitudes above 4,000 feet. To improve engine performance, see your nearest Sears Service dealer.

### ENGINE SPEED

**WARNING:** NEVER TAMPER WITH ENGINE GOVERNOR WHICH IS FACTORY SET FOR PROPER ENGINE SPEED. OVERSPEEDING ENGINE ABOVE FACTORY HIGH SPEED SETTING CAN BE DANGEROUS.

**IMPORTANT:** CHANGING OF ENGINE GOVERNED SPEED WILL VOID ENGINE WARRANTY.

### NOZZLE MAINTENANCE

If the adjustable nozzle becomes restricted or clogged with foreign materials, such as dirt, excessive pump pressure may develop. If this nozzle becomes partially clogged, it can cause a pulsing sensation during use. This generally is not a pump related problem, but rather a clogged or partially restricted adjustable nozzle.

**NOTE:** You cannot service the turbo nozzle.

If the adjustable nozzle becomes clogged or partially restricted, immediately clean the nozzle with the kit included with your pressure washer by following these instructions:

- Shut off the engine and turn off the water supply.
- Separate the adjustable nozzle holder from the gun.
- Remove nozzle from the end of the holder using a 2mm or 5/64 allen wrench (like the one included in the kit).
- Use the wire included in the kit (Fig. 22) or a small paper clip to free the foreign materials clogging or restricting the nozzle.
- Remove additional debris by back flushing water supply through holder (Fig. 23). Back flush between 30 to 60 seconds. Turn wand to stream spray and move nozzle from low to high while flushing.
- Reinstall nozzle into the wand. DO NOT overtighten.
- Reconnect the wand to the gun.

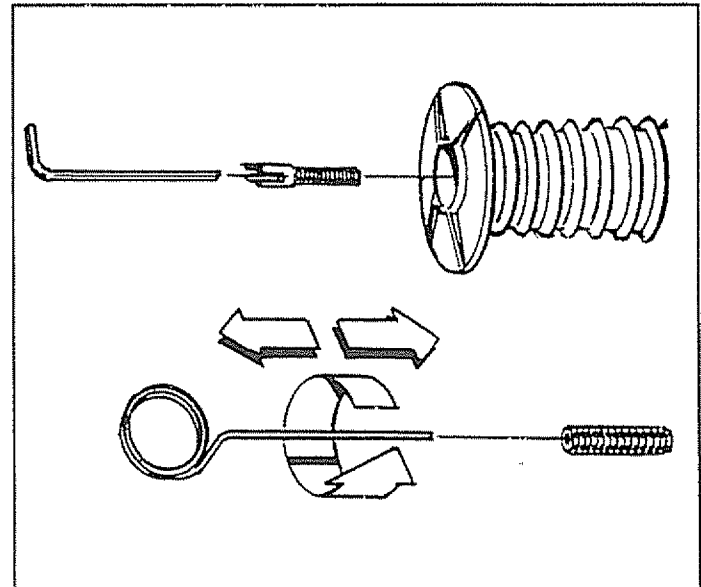


FIG. 22

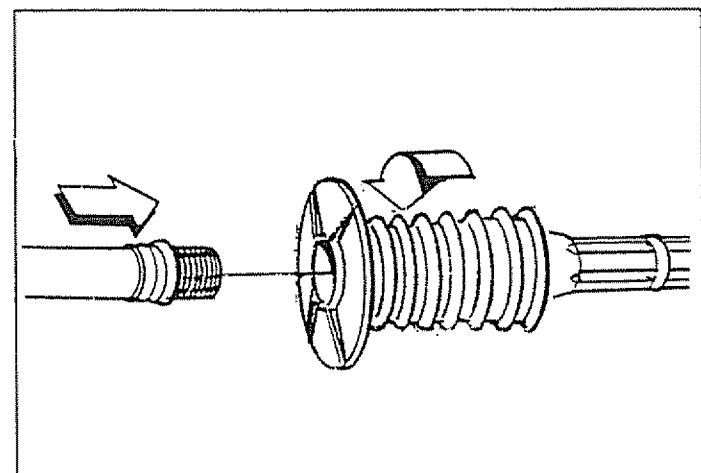


FIG. 23

- Reconnect the water supply, turn on the water, and start the engine.
- Test the pressure washer by operating with nozzle in the high and in the low position.

# STORAGE

## PRESSURE WASHER PUMP

Water should not remain in the unit for long periods of time. Sediments of minerals can deposit on pump parts and "freeze" pump action. If you do not plan to use the Pressure Washer for more than 30 days, follow this procedure:

- Flush detergent hose by placing the injector filter into a pail of clear water while running Pressure Washer with nozzle in low pressure mode. Flush until you can see water in line is clear.
- Shut off the engine and let it cool, THEN REMOVE ALL HOSES. Place throttle lever in "STOP" position.



**CAUTION: BE SURE THE THROTTLE LEVER IS IN "STOP" POSITION BEFORE YOU CONTINUE. IF YOU START THE ENGINE WITHOUT THE PROPER WATER SUPPLY CONNECTED, YOU CAN DAMAGE THE PUMP.**

- Empty the pump of all pumped liquids by pulling recoil handle about 6 times. This should remove most of the liquid in the pump.

We recommend that the pressure washer pump storage procedures be followed after every use.

- Coil the high pressure hose and inspect it for damage. Cuts in the hose or fraying of it could result in leaks and loss of pressure. Should any damage be found, replace the hose. DO NOT attempt to repair a damaged hose and use it. Replace the hose with the genuine Craftsman part.
- Drain water from hose and properly hang it on the wire support provided on the guide handle.

**NOTE:** To protect the unit from freezing temperatures, you can draw windshield washer fluid into the pump by pouring the washer fluid into a 3-foot section of garden hose connected to the inlet adaptor and pulling the recoil handle twice.

- Store in a clean, dry area.

## ENGINE



**WARNING: NEVER STORE ENGINE WITH FUEL IN TANK INDOORS OR IN ENCLOSED, POORLY VENTILATED AREAS WHERE FUMES MAY REACH AN OPEN FLAME, SPARK OR PILOT LIGHT AS ON A FURNACE, WATER HEATER, CLOTHES DRYER OR OTHER GAS APPLIANCE.**

It is important to prevent gum deposits from forming in essential fuel system parts such as the carburetor, fuel

filter, fuel hose or tank during storage. Also, experience indicates that alcohol-blended fuels (called "gasohol" or using ethanol or methanol) can attract moisture which leads to separation and formation of acids during storage. Acidic gas can damage the fuel system of an engine while in storage.

To avoid engine problems, the fuel system should be emptied before storage of 30 days or longer. Follow these instructions:

**Drain Fuel System:** Remove all gasoline from carburetor and fuel tank to prevent gum deposits from forming on these parts and causing possible malfunction of engine.



**WARNING: DRAIN FUEL INTO APPROVED CONTAINER OUTDOORS, AWAY FROM OPEN FLAME. BE SURE ENGINE IS COOL. DO NOT SMOKE.**

- If you did use "gasohol", run engine until engine stops from lack of fuel. Make sure you have water supply to pump inlet connected and turned ON.
- Fuel stabilizer (such as STA-BIL<sup>®</sup>) is an acceptable alternative in minimizing fuel gum deposits during storage.

**Change Oil:** While engine is still warm, drain oil from crankcase. Refill with recommended grade.

**Oil Cylinder Bore:** Remove spark plug and pour about 1/2 ounce (15ml) of engine oil into the cylinder. Cover spark plug hole with rag. Crank slowly to distribute oil.



**CAUTION! AVOID SPRAY FROM SPARK PLUG HOLE WHEN CRANKING ENGINE SLOWLY.**

- Install spark plug. Do not connect spark plug wire.

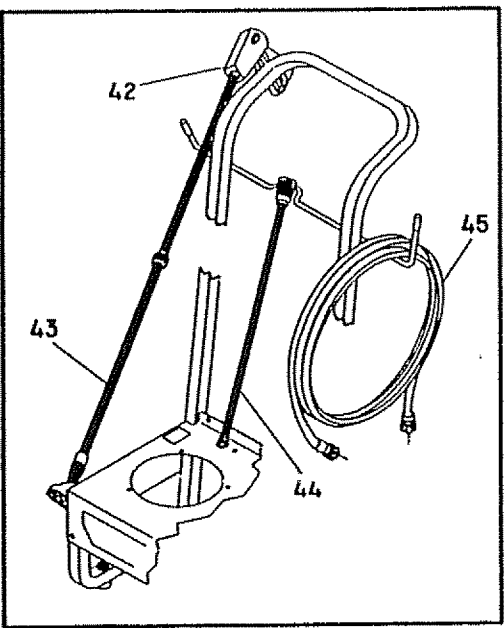
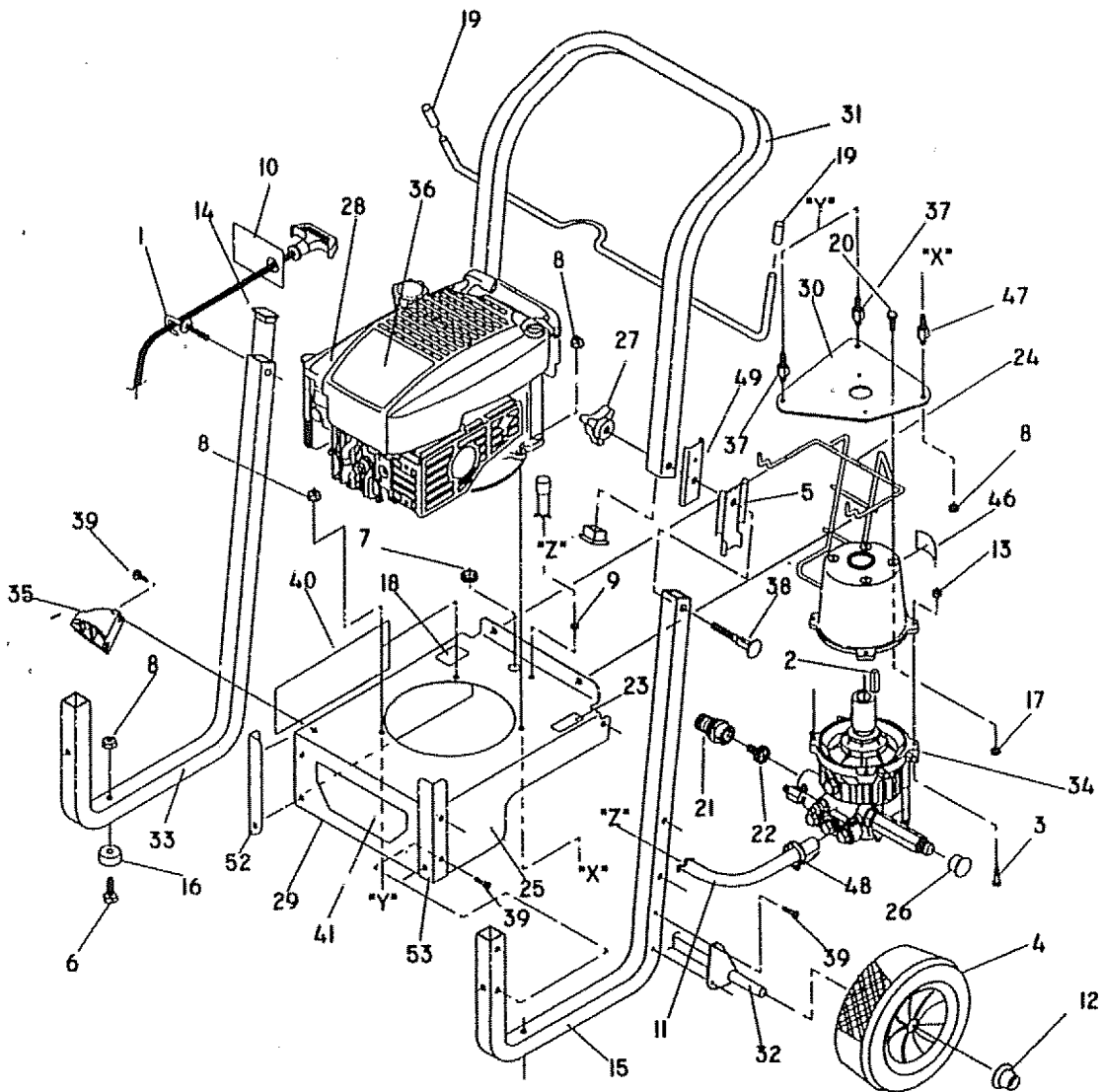
## OTHER

- Do not store gasoline from one season to another.
- Replace your gasoline can if your can starts to rust. Rust and/or dirt in your gasoline will cause problems.
- If possible, store your unit indoors and cover it to give protection from dust and dirt.
- Cover your unit with a suitable protective cover that does not retain moisture. Do not use plastic. Plastic does not breathe, which allows condensation to form and will cause your unit to rust.

**IMPORTANT: NEVER COVER YOUR PRESSURE WASHER WHILE ENGINE AND EXHAUST AREAS ARE WARM.**

## TROUBLESHOOTING

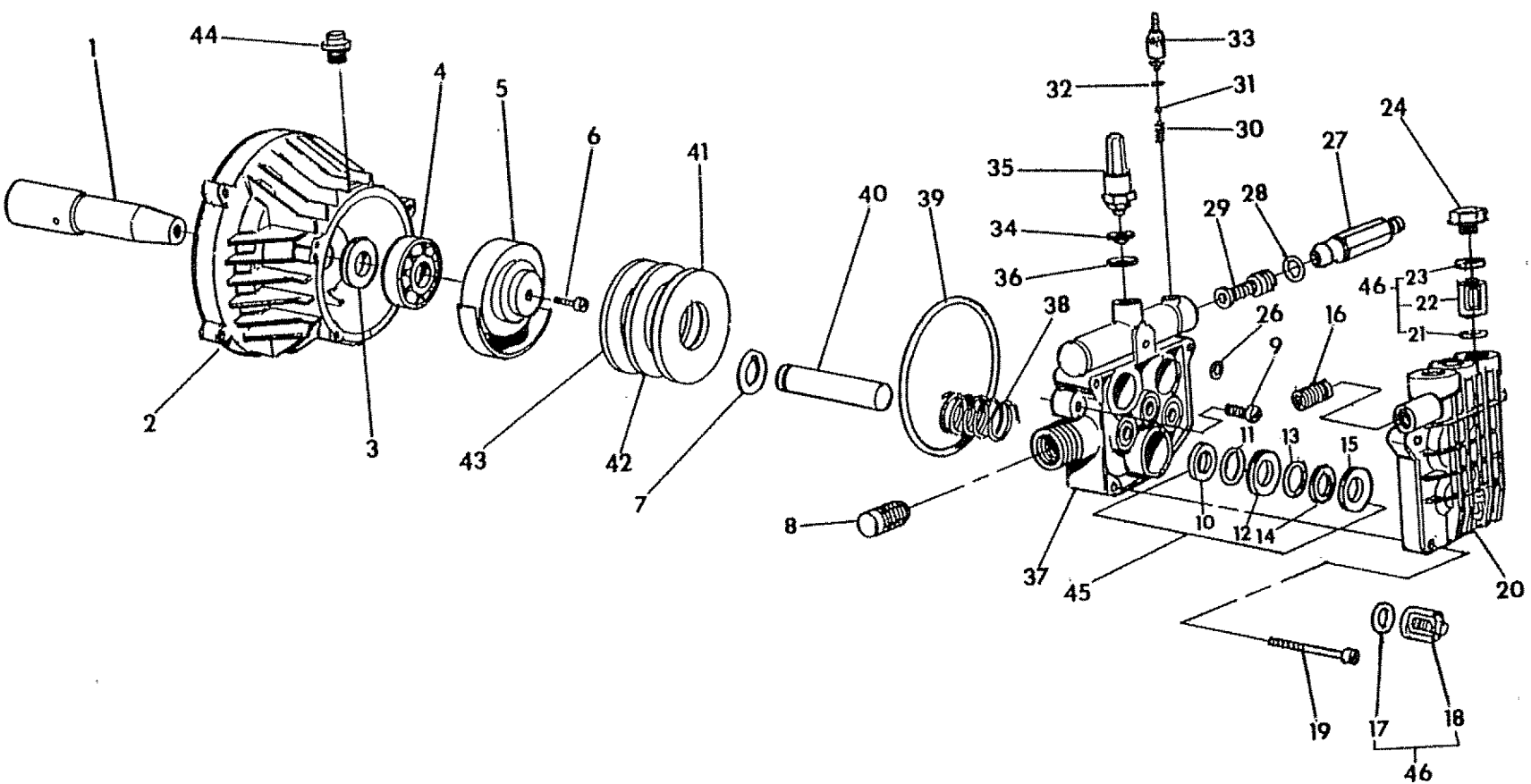
PROBLEM	CAUSE	CORRECTION
<p>Pump has following problems: failure to produce pressure, erratic pressure, chattering, loss of pressure, low water volume.</p>	<ol style="list-style-type: none"> <li>1. Nozzle in low pressure mode.</li> <li>2. Low regulator pressure</li> <li>3. Water inlet is blocked.</li> <li>4. Inadequate water supply</li> <li>5. Inlet hose is kinked or leaking</li> <li>6. Clogged inlet hose strainer.</li> <li>7. Detergent line is not submerged.</li> <li>8. Water supply is over 140°F.</li> <li>9. Outlet hose is blocked or leaks.</li> <li>10. Gun leaks.</li> <li>11. Nozzle is obstructed.</li> <li>12. Pump is faulty.</li> </ol>	<ol style="list-style-type: none"> <li>1. Pull nozzle backward for high pressure mode.</li> <li>2. Adjust regulator to desired setting.</li> <li>3. Clear inlet</li> <li>4. Provide adequate water flow.</li> <li>5. Straighten inlet hose, patch leak.</li> <li>6. Check and clean inlet hose strainer.</li> <li>7. Submerge detergent line.</li> <li>8. Provide cooler water supply.</li> <li>9. Clear blocks in outlet hose.</li> <li>10. Replace gun.</li> <li>11. Clear nozzle.</li> <li>12. Contact Sears Service Department.</li> </ol>
<p>Detergent fails to mix with spray.</p>	<ol style="list-style-type: none"> <li>1. Detergent line is not submerged.</li> <li>2. Chemical filter is clogged.</li> <li>3. Nozzle is in high pressure mode.</li> </ol>	<ol style="list-style-type: none"> <li>1. Insert chemical line into detergent.</li> <li>2. Clean or replace filter/detergent line.</li> <li>3. Push nozzle forward for low pressure mode.</li> </ol>
<p>Engine runs good at no-load but "bogs down" when load is added.</p>	<p>Engine speed is too slow.</p>	<p>Contact Sears Service Department</p>
<p>Engine will not start; or starts and runs rough</p>	<ol style="list-style-type: none"> <li>1. Low oil level</li> <li>2. Dirty air cleaner</li> <li>3. Out of gasoline.</li> <li>4. Stale gasoline.</li> <li>5. Spark plug wire not connected to spark plug</li> <li>6. Bad spark plug.</li> <li>7. Water in gasoline.</li> <li>8. Overchoking.</li> <li>9. Excessively rich fuel mixture.</li> <li>10. Intake valve stuck open or closed.</li> <li>11. Engine has lost compression.</li> </ol>	<ol style="list-style-type: none"> <li>1. Fill crankcase to proper level.</li> <li>2. Clean or replace air cleaner.</li> <li>3. Fill fuel tank.</li> <li>4. Drain gas tank; fill with fresh fuel.</li> <li>5. Connect wire to spark plug.</li> <li>6. Replace spark plug.</li> <li>7. Drain gas tank; fill with fresh fuel.</li> <li>8. Open choke fully and crank engine.</li> <li>9. Contact Sears Service Department</li> <li>10. Contact Sears Service Department</li> <li>11. Contact Sears Service Department</li> </ol>
<p>Engine shuts down during operation</p>	<ol style="list-style-type: none"> <li>1. Out of gasoline.</li> <li>2. Low oil level.</li> </ol>	<ol style="list-style-type: none"> <li>1. Fill fuel tank.</li> <li>2. Fill crankcase to proper level.</li> </ol>
<p>Engine lacks power.</p>	<p>Dirty air filter.</p>	<p>Replace air filter.</p>



GUN, WAND, AND HOSE STORAGE LOCATION



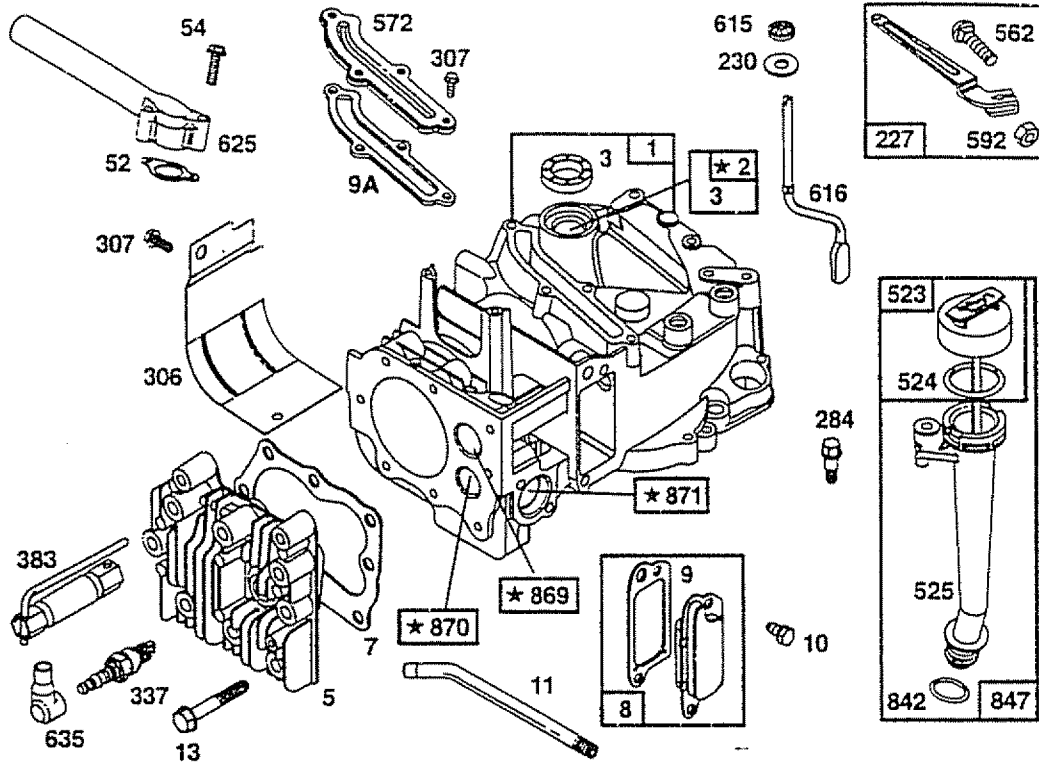
ITEM	PART NO.	DESCRIPTION	ITEM	PART NO.	DESCRIPTION
1	97998	Square neck eyebolt (1 req.)	34	97745	Lavor Wash 1500 Pump (1 req.)
2	231398	3/16" x 1-1/2" Square Key (1 req.)	35	97769	Gun Holder Cup (1 req.)
3	38750	M6-1.0 x 30mm Capscrew (4 req.)	36	99446	Engine Decal (1 req.)
4	97876	Wheel (2 req.)	37	97891	Stud (2 req.)
5	97082	Bracket Clip (2 req.)	38	97912	1/4-20 x 2.25 in. Carriage Bolt (1 req.)
6	39414	M8-1.00 x 35mm Capscrew (2 req.)	39	97996	1/4-20 in. Screw (16 req.)
7	92235	Turbo Grommet (1 req.)	40	98021	Starting Instructions Decal (1 req.)
8	52858	M8-1.25mm Nut Locking (8 req.)	41	98022	3.8 HP Sears Decal (1 req.)
9	30809	1/8"-11/16" Grommet (1 req.)	42	98316	MV870 Gun (1 req.)
10	70453	Yellow Tag Warning Oil (1 req.)	43	98317	Regular Nozzie Wand (1 req.)
11	96168	Chemical Injection Hose (1 req.)	44	98318	Turbo Nozzle Wand (1 req.)
12	75402	1/2" Pushnut (2 req.)	45	97810	14 x 14 Hose (1 req.)
13	77395	M6 Flange Lock Nut (4 req.)	46	98754	Pump Seep Warning Decal (1 req.)
14	81895	3/4" Square Cap Plug (4 req.)	47	99475	Special Long Mounting Stud (1 req.)
15	97758	Left Hand Vertical Shaft Tube (1 req.)	48	48031G	Hose Clamp (1 req.)
16	87841	Wheel Kit Vibration Mount (2 req.)	49	99368	S.S. Wear Plate (2 req.)
17	49820	M8-1.25mm Nylock Nut (4 req.)	52	21106	Carb Side Guard (1 req.)
18	91373	Sears Data Plate (1 req.)	53	21105	Muffler Side Guard (1 req.)
19	99827	.312 x 1" Vinyl Cap (2 req.)			
20	43107	M8-1.25 x 25mm Capscrew (4 req.)	ACCESSORIES YOU CAN USE WITH THIS PRESSURE WASHER. SEE "ACCESSORIES AND ATTACHMENTS" ON PAGE 5 FOR PICTURES OF ACCESSORIES.		
21	96016	Pump Quick Disconnect (1 req.)	7175190		Floor/Siding Brush Kit
22	96017	Male End Quick Disconnect (1 req.)	7175199		Rotating Brush Kit
23	96307	1-800 No. Decal (1 req.)	7175189		Utility Brush Kit
24	97762	Chemical Jug Hanger (1 req.)	7175187		Garden Hose Quick Connect with 2 Adaptors
25	96405	Danger Decal (1 req.)	7175100		Multipurpose/House Wash
26	97100	H.P. Adaptor Cap (1 req.)	7175101		Deck Wash
27	97178	Handle Knob (2 req.)	7175102		Vehicle/Boat Wash
28	12E802-1115-01	Briggs & Stratton Engine (1 req.)	7175103		Degreaser
29	97738	Base (1 req.)	7175104		Spray Wax
30	97739	Mount Plate (1 req.)			
31	97740	Handle Assem. (1 req.)			
32	97741	Axle Assem. (1 req.)			
33	97742	Right Hand Base Tube (1 req.)			



ITEM	PART NO.	DESCRIPTION
1	100-97745	INPUT SHAFT (1 REQ.)
2	101-97745	PUMP FLANGE TOP (1 REQ.)
3	102-97745	OIL SEAL (1 REQ.)
4	103-97745	THRUST BEARING (1 REQ.)
5	104-97745	AXIAL CAM (1 REQ.)
6	105-97745	CAM RETAINER (1 REQ.)
7	106-97745	PISTON SPRING RETAINER (1 REQ.)
8	107-97745	INLET FILTER (1 REQ.)
9	108-97745	PISTON BODY (1 REQ.)
10	109-97745	OIL SEAL (1 REQ.)
11	110-97745	O-RING (1 REQ.)
12	111-97745	SEAL RING SEAT (1 REQ.)
13	112-97745	O-RING (1 REQ.)
14	113-97745	BACK UP RING (1 REQ.)
15	114-97745	HIGH PRESSURE WATER SEAL (1 REQ.)
16	115-97745	TAPERED 18" CAP (1 REQ.)
17	116-97745	O-RING (1 REQ.)
18	117-97745	COMPLETE INLET VALVE (1 REQ.)
19	118-97745	M6 x 70mm SCREW (1 REQ.)
20	119-97745	PUMP HEAD (1 REQ.)
21	120-97745	O-RING (1 REQ.)
22	121-97745	OUTLET VALVE (1 REQ.)
23	122-97745	O-RING (1 REQ.)
24	123-97745	VALVE CAP (1 REQ.)
26	124-97745	O-RING (1 REQ.)
27	125-97745	HIGH PRESSURE OUTLET ADAPTER (1 REQ.)
28	126-97745	O-RING (1 REQ.)
29	127-97745	BYPASS VALVE (1 REQ.)
30	128-97745	CHEMICAL INJECTOR SPRING (1 REQ.)
31	129-97745	BALL (1 REQ.)
33	130-97745	CHEMICAL INJECTOR HOSE FITTING (1 REQ.)
34	131-97745	REGULATOR SEAT (1 REQ.)
35	132-97745	PRESSURE REGULATOR TOP (1 REQ.)
36	133-97745	O-RING (1 REQ.)
37	134-97745	PISTON BODY TOP WITH PRESSURE ADJUSTOR (1 REQ.)
38	135-97745	PISTON RETURN SPRING D.14 (1 REQ.)
39	136-97745	O-RING (1 REQ.)
40	137-97745	PISTON (1 REQ.)
41	138-97745	THRUST SHOE (1 REQ.)
42	139-97745	THRUST ROLLER BEARING (1 REQ.)
43	140-97745	THRUST BEARING DISK (1 REQ.)
44	141-97745	OIL BREATHER CAP (1 REQ.)
45	500-97745	CYLINDER HEAD REPAIR KIT (INCL. 3 EACH OF #s 111-115)
46	501-97745	VALVE REPAIR KIT (INCL. 3 EACH OF #s 117,118, 121-123)

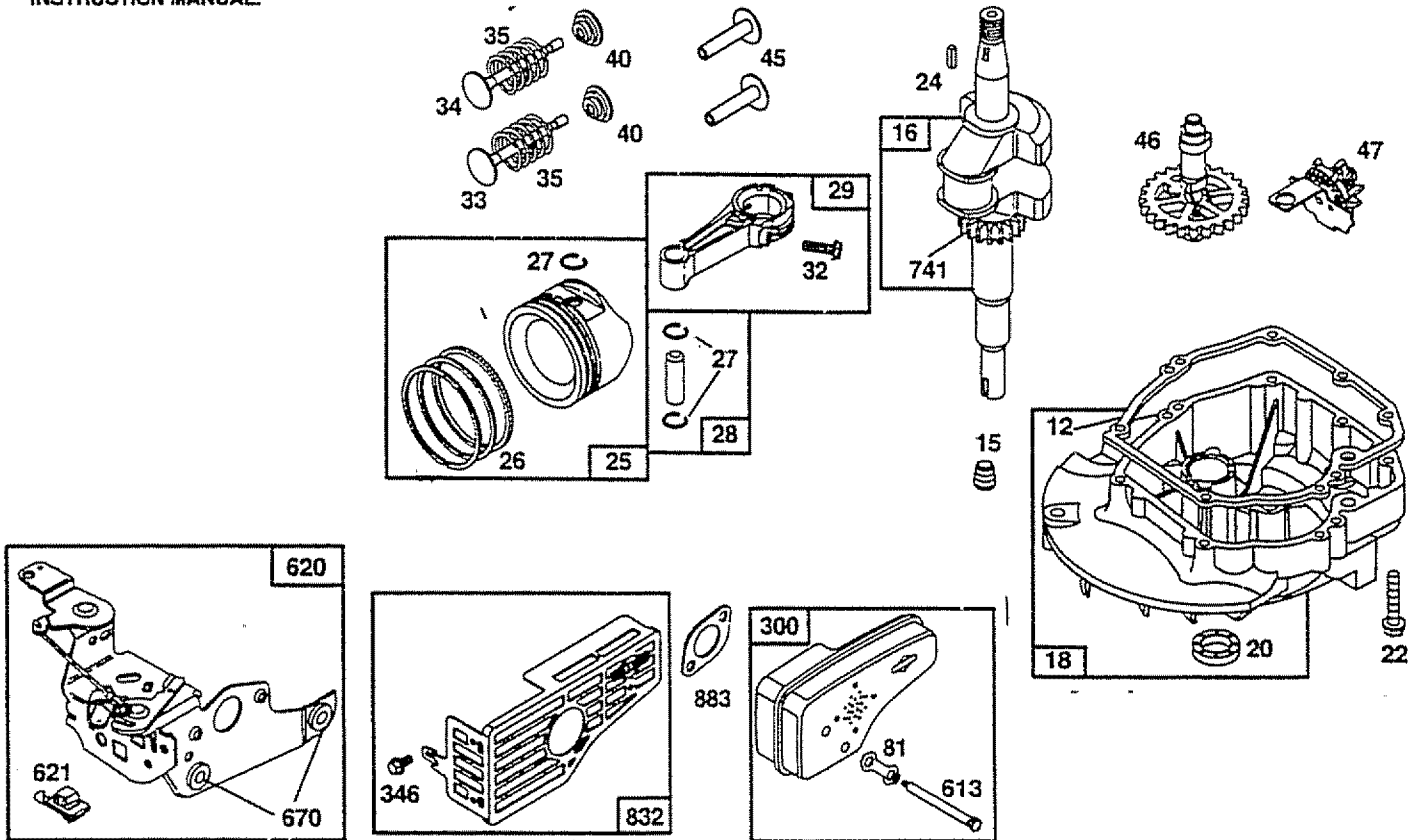
**CRAFTSMAN 1500 PSI HIGH PRESSURE WASHER 580.741380  
BRIGGS & STRATTON 4-CYCLE ENGINE 12E802-1115-01**

**REPAIR PARTS**



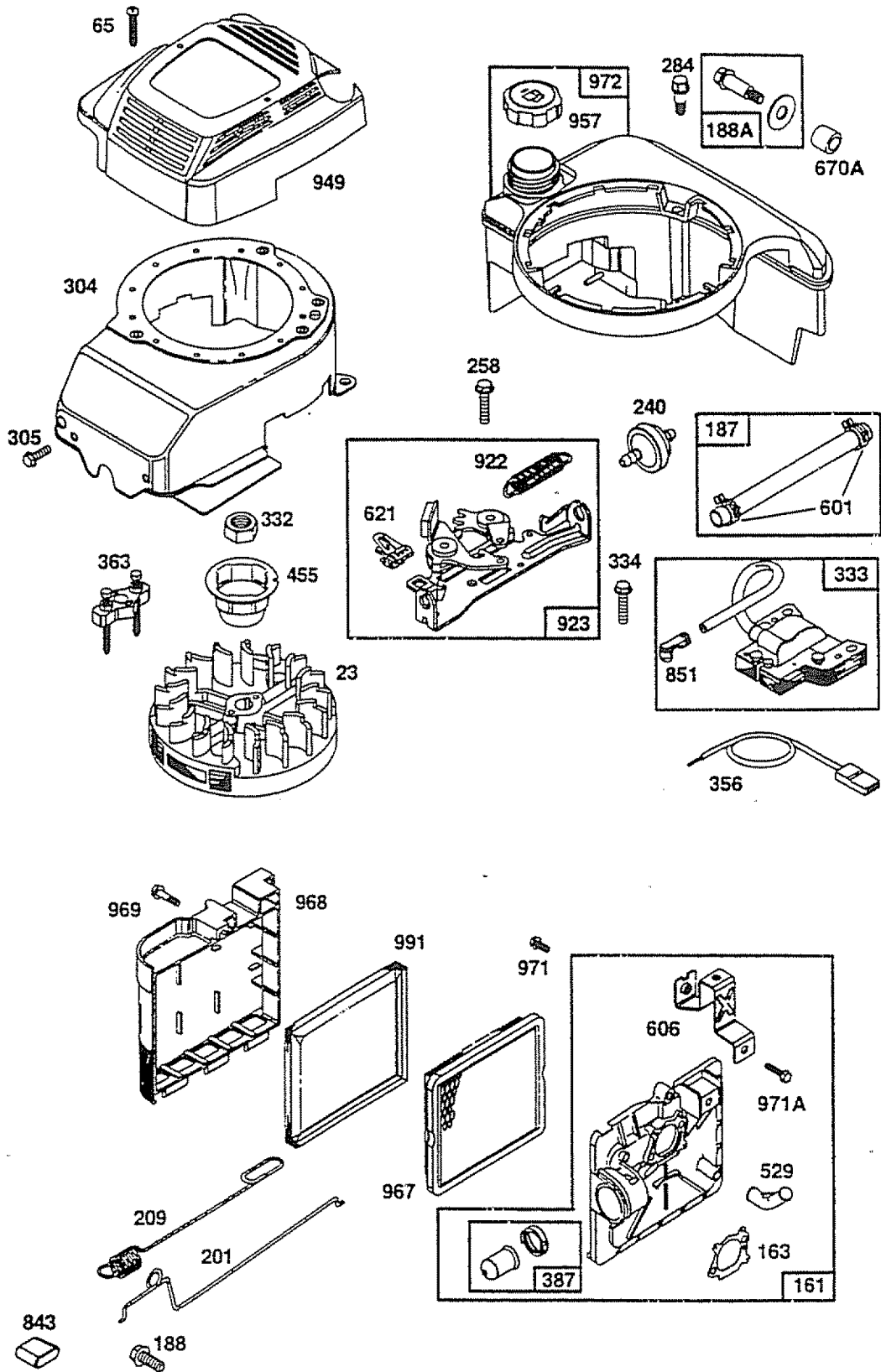
★ REQUIRES SPECIAL TOOLS TO INSTALL. SEE REPAIR INSTRUCTION MANUAL.

1019 LABEL KIT



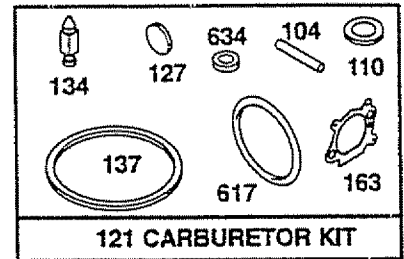
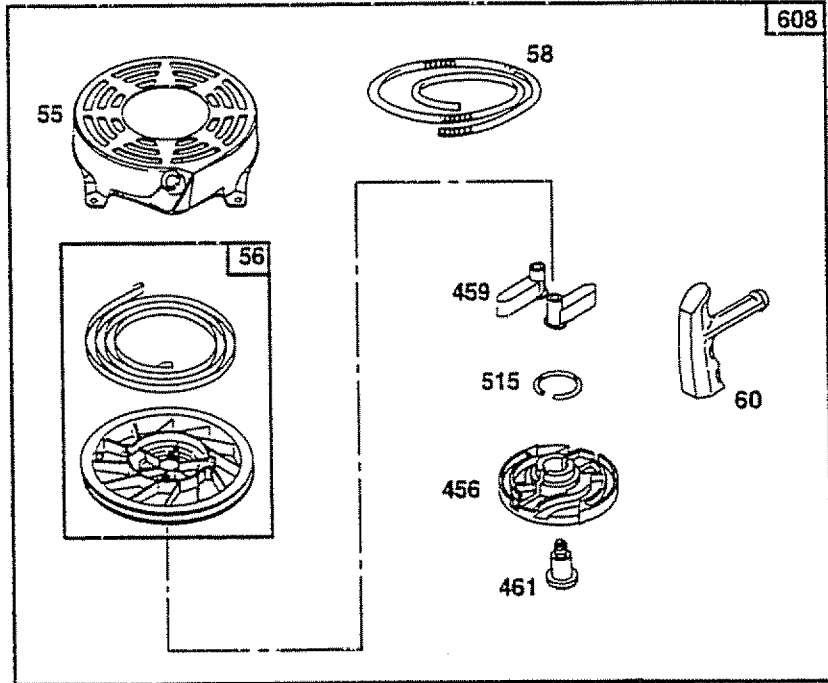
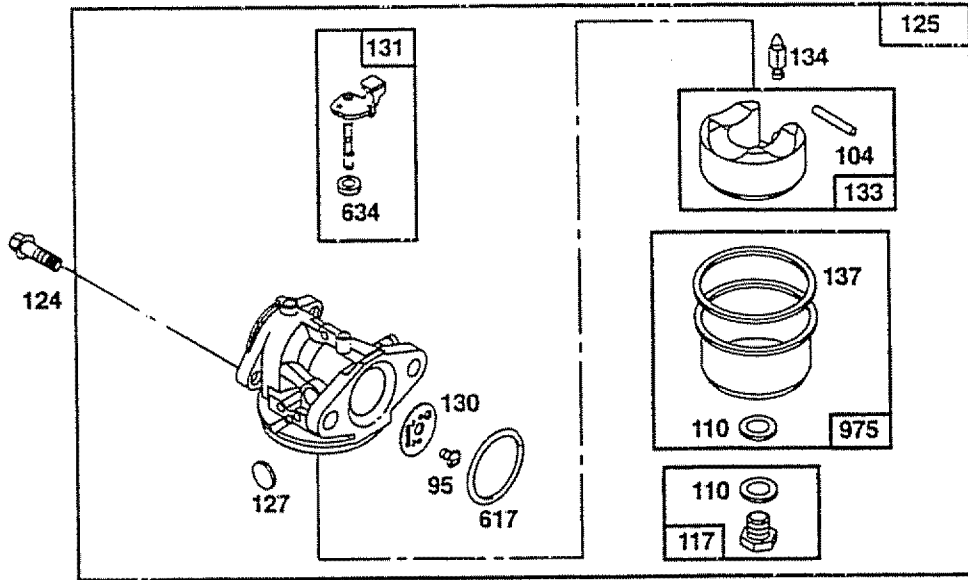
**CRAFTSMAN 1500 PSI HIGH PRESSURE WASHER 580.741380  
BRIGGS & STRATTON 4-CYCLE ENGINE 12E802-1115-01**

**REPAIR PARTS**

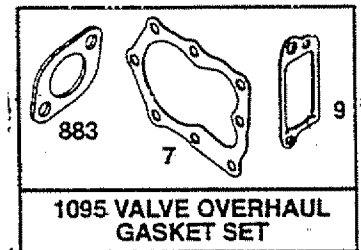


**CRAFTSMAN 1500 PSI HIGH PRESSURE WASHER 580.741380  
BRIGGS & STRATTON 4-CYCLE ENGINE 12E802-1115-01**

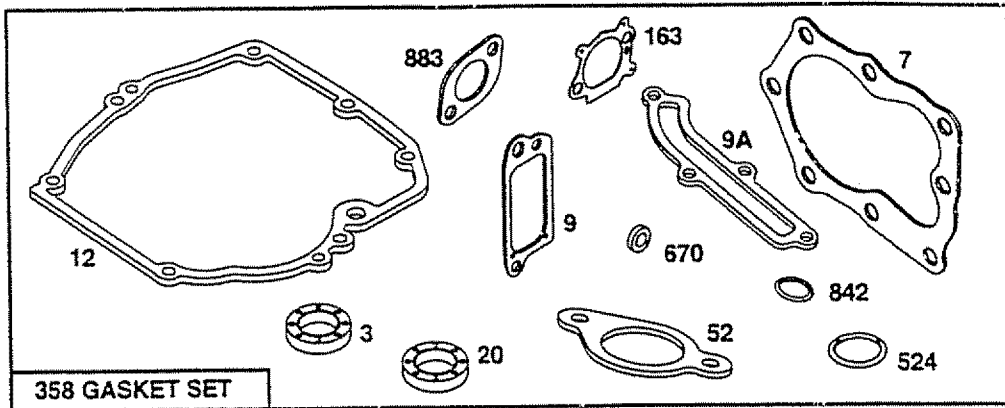
**REPAIR PARTS**



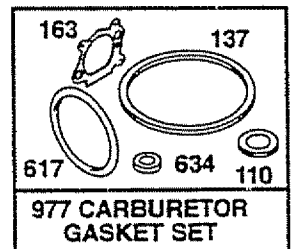
**121 CARBURETOR KIT**



**1095 VALVE OVERHAUL GASKET SET**



**358 GASKET SET**



**977 CARBURETOR GASKET SET**

**CRAFTSMAN 1500 PSI HIGH PRESSURE WASHER 580.741380  
BRIGGS & STRATTON 4-CYCLE ENGINE 12E802-1115-01**

**REPAIR PARTS**

Ref. No.	Part No.	Part Name
1	493260	Cylinder Assembly
2	293708	Bushing
3	*299819	Oil Seal
5	214349	Cylinder Head
7	*ø272916	Cylinder Head Gasket
8	495786	Breather Assembly
9	*ø272481	Breather Gasket
9A	*272481	Breather Gasket
10	94650	Hex Screw
11	231933	Breather Tube
12	*272198	Crankcase Gasket
13	94547	Hex Screw
15	94720	Oil Drain Plug
16	493362	Crankshaft NOTE: Timing Gear Key order Part No. 94388
18	493279	Engine Sump
20	*399781	Oil Seal
22	94220	Hex Screw
23	492893	Flywheel
24	222698	Flywheel Key
25	493262	Piston Assembly (Standard)
	493385	Piston Assembly (.010" O.S.)
	493386	Piston Assembly (.020" O.S.)
	493387	Piston Assembly (.030" O.S.)
26	493261	Ring Set (Standard)
	493388	Ring Set (.010" O.S.)
	493389	Ring Set (.020" O.S.)
	493390	Ring Set (.030" O.S.)
27	26026	Piston Pin Lock
28	298909	Piston Pin (Standard)
	298908	Piston Pin (.005" O.S.)
29	490566	Connecting Rod
32	94699	Hex Screw
33	262651	Exhaust Valve
34	262652	Intake Valve
35	262224	Valve Spring
40	93312	Valve Retainer
45	262204	Valve Tappet
46	492828	Cam Gear
47	493737	Oil Slinger
52	*272199	Intake Gasket
54	94526	Hex. Screw
55	497440	Rewind Starter Housing
56	498144	Starter Pulley
58	280399	Starter Rope (Cut to Required Length)
60	281434	Starter Rope Grip
81	223664	Muffler Screw Lock
95	94908	Slotted Screw
104	†231371	Float Hinge Pin
110	††	Seal O-ring (sold in kit only)
117	497466	Main Jet (bowl mounting screw)
	496495	Main Jet (high altitude)
121	498260	Carburetor Kit
124	94525	Hex. Screw
125	498254	Carburetor
127	†	Welch Plug (sold in kit only)
130	224908	Throttle Valve
131	493267	Throttle Shaft
133	398187	Carburetor Float
134	†398188	Needle Valve
137	††	Float Bowl Gasket (sold in kit only)
161	496116	Air Cleaner Base
163	††272653	Air Cleaner Gasket
187	296004	Fuel Line
188	94644	Screw
188A	398540	Shoulder Screw
201	262579	Link
209	263044	Governor Spring
227	492349	Governor Lever

Ref. No.	Part No.	Part Name
230	67072	Washer
240	298090	Fuel Filter
258	94512	Screw
284	94511	Shoulder Screw
300	496106	Exhaust Muffler
304	493294	Blower Housing
305	94786	Hex Screw
306	224324	Cylinder Shield
307	94515	Hex. Screw
332	92284	Flywheel Nut
333	802574	Magneto Armature
334	94731	Hex Screw
337	802592	Spark Plug
346	93602	Hex Screw
358	398808	Stop Wire
358	497316	Gasket Set
363	19069	Flywheel Puller
383	89838	Spark Plug Wrench
387	496115	Carburetor Primer
455	225121	Flywheel Cup
456	281503	Starter Rope Grip
459	281505	Ratchet Pawl
461	94943	Shoulder Screw
515	263073	Retainer Spring
523	495264	Oil Fill Cap
524	*280393	Fill Tube Seal
525	495265	Oil Fill Tube
529	281299	Grommet
562	94852	Carriage Bolt
572	224328	Cylinder Baffle
592	231082	Hex. Nut
601	93053	Hose Clamp
606	224815	Bracket Strap
608	497680	Rewind Starter (includes 94904, Screw; 94908, nut)
613	94231	Hex Screw
615	94474	Push Nut
616	262578	Governor Crank
617	††270334	Intake Manifold Seal
620	497203	Control Bracket
621	396847	Stop Switch
625	281085	Intake Manifold
634	††	Washer (sold in kit only)
635	66538	Spark Plug Boot
643	280972	Air Filter Retainer
670	*493823	Spacer (includes 2)
670A	280512	Spacer
741	262598	Timing Gear
832	494224	Muffler Guard
842	*280966	O-Ring Seal
843	272616	Lever Sleeve
847	495263	Oil Fill Tube
851	493880	Cable Terminal
869	211172	Intake Valve Seat
870	213513	Exhaust Valve Seat
871	262001	Exhaust Valve Guide (Bushing)
	63709	Intake Valve Guide (Bushing)
883	*ø272253	Exhaust Gasket
922	262640	Brake Spring
923	493442	Brake
949	497233	Finger Guard
957	397974	Fuel Tank Cap
967	491588	Air Filter
968	281340	Air Cleaner Cover
969	94120	Slotted Hex. Screw
971	94121	Hex. Screw
971A	94749	Hex. Screw
972	495225	Fuel Tank
975	493640	Float Bowl
1019	494256	Label Kit
1095	498528	Valve Overhaul Gasket Set

\* Included in gasket set — Part No. 497316

† Included in carburetor kit — Part No. 493762

†† Included in Carburetor Gasket Kit — Part No. 490937

ø Included in Valve Overhaul Gasket Set Part — Part No. 498528

# SEARS

## OWNER'S MANUAL

MODEL NO.  
580.741380

### IF YOU NEED REPAIR SERVICE OR PARTS

FOR REPAIR SERVICE CALL  
THIS TOLL FREE NUMBER  
**1-800-4•REPAIR**

(1-800-473-7247)

FOR REPLACEMENT PARTS  
INFORMATION AND ORDERING,  
CALL THIS TOLL FREE NUMBER:  
**1-800-FON-PART**

(1-800-366-7278)

# CRAFTSMAN®

## 3.8 HORSEPOWER 1500 PSI 2 GPM HIGH PRESSURE WASHER

Each High Pressure Washer has its own model number. Each engine has its own part number.

The model number for your high pressure washer will be found on a decal attached to the unit.

The part number for your engine will be found on the Blower Housing of the engine adjacent to the spark plug.

All parts listed herein may be ordered through Sears, Roebuck and Co. Service Centers and most Retail Stores.

### WHEN ORDERING REPAIR PARTS, ALWAYS GIVE THE FOLLOWING INFORMATION:

- PRODUCT — HIGH PRESSURE WASHER
- MODEL NUMBER — 580.741380
- ENGINE MODEL NUMBER — 12E802-1115-01
- PART NUMBER
- PART DESCRIPTION

Your Sears merchandise has added value when you consider that Sears has service units nationwide staffed with Sears trained technicians...professional technicians specifically trained on Sears products, having the parts, tools and the equipment to ensure that we meet our pledge to you, we service what we sell.

SEARS, ROEBUCK and CO., Hoffman Estates, IL 60179 U.S.A.

# SEARS

MANUAL DEL  
PROPIETARIO

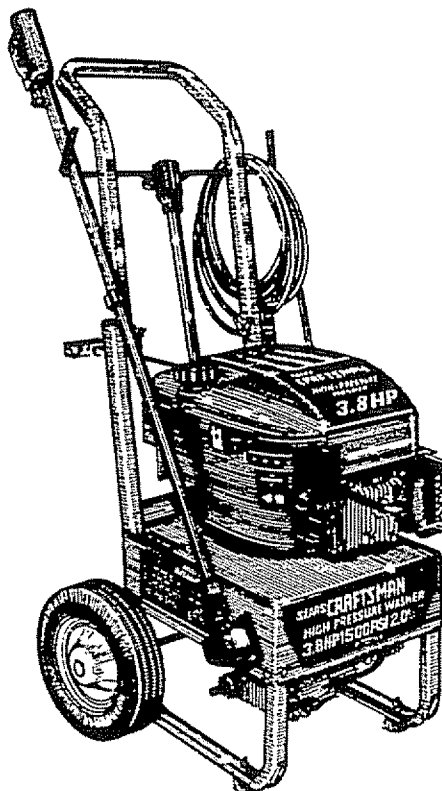
MODELO NO.

580.741380

LINEA DE ASISTENCIA  
CLIENTE  
MAQUINA LAVADORA DE  
ALTA PRESION  
1-800-222-3136

HORAS:  
Lun. - Vie. 8 a.m. a 5 p.m  
(TCE)

PRECAUCION:  
Lea y Siga las Reglas de  
Seguridad e Instrucciones  
Antes de Operar Este  
Equipo



## CRAFTSMAN®

MAQUINA LAVADORA DE ALTA PRESION  
DE FUERZA A 1500 PSI ET 2 GPM  
DE 3.8 CABALLOS

- Ensamble
- Operación
- Responsabilidades del Cliente
- Servicio y Ajuste
- Partes de Recambio

SEARS, ROEBUCK and CO., Hoffman Estates, IL 60179 U.S.A.

## REGLAS DE SEGURIDAD



**PRECAUCION: SIEMPRE DESCONECTE EL CABLE DE LA BUJIA Y COLOQUELO DONDE NO PUEDA HACER CONTACTO CON LA BUJIA PARA EVITAR UN ENCENDIDO ACCIDENTAL CUANDO ESTE INSTALANDO, TRANSPORTANDO, AJUSTANDO O HACIENDO REPARACIONES EN SU MAQUINA LAVADORA DE ALTA PRESION.**



### ENTRENAMIENTO:

- Los gases de escape del motor contienen gas de monóxido de carbono MORTAL. Si este gas peligroso se respira en una concentración suficiente puede causar pérdida de la conciencia o inclusive la muerte. Opere este equipo únicamente en áreas abiertas donde haya disponible ventilación adecuada.



### ADVERTENCIA:



**El escape del motor de este producto contiene substancias químicas que, según se sabe, en determinadas cantidades pueden ocasionar cáncer, defectos de nacimiento, u otros perjuicios en la reproducción.**

- La gasolina es altamente INFLAMABLE y sus vapores son EXPLOSIVOS. No permita que se fume, llamas abiertas, chispas o calor en la cercanía cuando se manipula gasolina. Evite regar gasolina sobre un motor caliente. Permita que la unidad se enfríe por 2 minutos antes de volverla a cargar con combustible. Cumpla con todas las leyes de regulación de almacenamiento y manejo de gasolina.
- Ubique esta máquina lavadora a presión en áreas alejadas de materiales combustibles, vapores combustibles o polvo.
- El equipo de alta presión está diseñado para ser usado únicamente con las piezas autorizadas de Sears. El usuario asume todos los riesgos y responsabilidades si usted utiliza este equipo con piezas que no cumplan las especificaciones mínimas.
- Algunos químicos o detergentes pueden ser peligrosos si son inhalados o ingeridos, causando náusea severa, desmayo o envenenamiento. Los elementos peligrosos pueden causar daño a la propiedad o lesión severa.
- No permita que NIÑOS operen la Máquina Lavadora a Presión en ningún momento.

### PREPARACION:

- Opere el motor únicamente en la velocidad de mando. El hacer funcionar el motor en velocidades excesivas aumenta el riesgo de lesión personal. No manipule las partes que puedan aumentar o disminuir la velocidad de mando.
- No use ropas sueltas, joyería o nada que pueda quedar atrapado en el arranque o en otras piezas en rotación.
- Antes de encender la Máquina Lavadora a Presión en clima frío revise todas las piezas del equipo y asegúrese que no se ha formado hielo en ellas.
- Las unidades con piezas dañadas o perdidas, o sin la caja o cubiertas de protección NUNCA deben ser operadas.
- El silenciador y el depurador de aire deben estar instalados y en buenas condiciones antes de operara la Máquina Lavadora a Presión. Estos componentes actúan como recolectores de chispas si el motor produce fuego de retroceso.
- Revise si el sistema de combustible tiene fugas o signos de deterioro como una manguera frágil o esponjosa, abrazaderas sueltas o inexistentes o tanque o tapa dañada. Corrija todos los defectos antes de operar la Máquina Lavadora a Presión.

### OPERACION:

- No rocíe líquidos inflamables.
- Nunca dirija la pistola de rociado a personas, animales o plantas.
- Nunca permita que alguna parte del cuerpo entre en contacto con la corriente del fluido. NO entre en contacto con un corriente de fluido creada por una fuga en la manguera de alta presión.

- La corriente de alta presión de fluido que este equipo puede producir puede penetrar la piel y sus tejidos subyacentes, llevando a lesión seria y posible amputación.
- El rociado de alta presión puede causar que partículas de pintura u otras partículas sean aerotransportadas y que vuelan a altas velocidades.
- Siempre use protección ocular cuando utilice este equipo o cuando está cerca de donde el equipo está siendo utilizado.
- Opere la presión en un valor que no sea mayor que la presión de fluido en PSI clasificada para su máquina lavadora a presión.
- Nunca mueva la máquina tirando de la manguera de alta presión. Utilice la manija colocada en la parte superior de la unidad.
- Siempre este seguro que la pistola de rociado, embocaduras y accesorios estén conectados correctamente.
- Nunca utilice una pistola de rociado que no tenga un seguro de gatillo o un protector de gatillo en posición y funcionando adecuadamente.
- Use un respirador o una máscara siempre que exista el riesgo de que puedan ser inhalados vapores. Lea todas las instrucciones de la máscara de manera que esté seguro que la máscara le proporcionará la protección necesaria contra la inhalación de vapores peligrosos.
- El rociado de alta presión puede dañar elementos frágiles, incluyendo vidrio. No apunte la pistola de rociado hacia el vidrio cuando esté en el modo de rociado a chorro.
- Mantenga la manguera conectada a la máquina o a la pistola de rociado cuando el sistema esté presurizado. El desconectar la manguera mientras la unidad está presurizada es peligroso.
- Sostenga firmemente la pistola de rociado en su mano antes de encender la unidad. Si no lo hace podría ocurrir una lesión debido al movimiento incontrolado de la pistola de rociado. No deje la pistola de rociado sin atención mientras la máquina está funcionando.
- El área de limpieza debe tener inclinaciones y drenajes adecuados para reducir la posibilidad de una caída debido a las superficies resbalosas.
- Mantenga el rociado del agua alejado del alambreado eléctrico o puede ocurrir una descarga eléctrica fatal.
- No ajuste la válvula reguladora en una presión excesiva con respecto a la clasificación de la máquina.
- No asegure el gatillo de la pistola en la posición posterior (abierto).
- No evite ningún dispositivo de seguridad de la máquina.
- No deje la pistola en la posición de cerrado por más de 5 minutos con el motor en funcionamiento. Esto podría dañar la bomba.
- El motor y el silenciador se calientan durante la operación y permanecen calientes inmediatamente después del apagado. Evite el contacto con el silenciador o el motor caliente o podría resultar quemado severamente.

### MANTENIMIENTO Y ALMACENAMIENTO:

- Opere y almacene esta unidad sobre una superficie estable.
- La manguera de alta presión puede desarrollar fugas debido al desgaste, doblamiento, abuso, etc. El rociado de agua de una fuga es capaz de hacer penetrar materiales dentro de la piel. Siempre inspeccione la manguera antes de usarla. Revise todas las mangueras para ver si existen cortes, fugas, abrasiones o abultamiento de la cubierta, o daño o movimiento de los acoples. Si existe cualquiera de estas condiciones reemplace la manguera inmediatamente. Nunca repare la manguera de alta presión. Reemplácela con otra manguera que reúna la clasificación de alta presión de su máquina lavadora a presión.



**BUSQUE ESTE SIMBOLO PARA UBICAR IMPORTANTES PRECAUCIONES DE SEGURIDAD. ESTO SIGNIFICA "¡ATENCIÓN!!! ¡ESTE ALERTA!!! SU SEGURIDAD ESTA EN PELIGRO."**

FELICITACIONES por la compra de su máquina lavadora de alta presión Sears Craftsman. Esta ha sido diseñada, proyectada y fabricada para darle la mejor confiabilidad y rendimiento posible.

Si usted experimenta cualquier problema que no pueda resolver con facilidad, por favor póngase en contacto con su Centro/Departamento de Servicio Sears o llame al número 1- 800 indicado en la cubierta de este manual. Tenemos técnicos competentes y bien entrenados y las herramientas apropiadas para darle servicio y reparar esta unidad.

Por favor lea y conserve este manual. Las instrucciones harán que usted ensamble y mantenga su máquina lavadora de alta presión apropiadamente. Siempre siga las "REGLAS DE SEGURIDAD".

## RESPONSABILIDADES DEL CLIENTE

- Lea y siga las reglas de seguridad.
  - Siga la programación regular en el mantenimiento, cuidado y uso de su máquina lavadora de alta presión.
- Sigas las instrucciones enlistadas bajo las secciones de "Responsabilidades del Cliente" y "Almacenamiento" de este Manual del Propietario.

## ESPECIFICACIONES DEL PRODUCTO

### Especificaciones de la Máquina Lavadora a Presión

PRESION DE SALIDA	1500 psi
VELOCIDAD DEL FLUJO	2 gpm
MEZCLA DE DETERGENTE	Use detergente sin diluir
TEMPERATURA DEL SUMINISTRO DE AGUA	No exceder de 140°F

### Especificaciones del Motor

CLASIFICADO	Briggs & Stratton
CABALLOS DE FUERZA	3.8
DESPLAZAMIENTO	9.67 pulgadas cubicas (158cc)
BUJIA: Tipo	Champion RJ-8C o su equivalente
Espacio Total	0.030 pulgadas (0.76mm)
CAPACIDAD DE GASOLINA	1-1/2 Cuarto U.S.
ACEITE (capacidad de 20 oz.)	Peso SAE 30
ESPACIO DE AIRE DE IGNICION	0.0125 pulgadas

En el Estado de California es exigido un apagachispas por la ley (Sección 4442 del Código de Recursos Públicos de California). Otros estados pueden tener leyes similares. Las leyes federales se aplican en tierras federales.

**NOTA:** El motor de su máquina lavadora a presión con es equipo con un silenciador apagachispas. El apagachispas debe ser mantenido en funcionamiento efectivo ordenado por el propietario/operador.

MODELO  
NUMERO 580.741380

NUMERO  
DE SERIE \_\_\_\_\_

FECHA  
DE COMPRA \_\_\_\_\_

LOS NUMEROS DEL MODELO Y SERIE SERAN ENCON-  
TRADOS EN LA CALCOMANIA PEGADA A LA MAQUINA  
LAVADORA DE PRESION.

USTED DEBE REGISTRAR EL NUMERO DE SERIE Y LA  
FECHA DE COMPRA Y MANTERLOS EN UN LUGAR  
SEGURO PARA FUTURAS REFERENCIAS.

## ACUERDO DE MANTENIMIENTO

Un Acuerdo de Mantenimiento de Sears está disponible en este producto. Póngase en contacto con su tienda de Sears más cercana para detalles.

## GARANTIA COMPLETA DE UN AÑO DE LA MAQUINA LAVADORA PRESION CRAFTSMAN

Por un año a partir de la fecha de compra, cuando esta Máquina Lavadora de Alta Presión Craftsman sea mantenida y operada de acuerdo con las instrucciones del manual del propietario, Sears reparará, libre de cargos, cualquier defecto en el material y la mano de obra. Si esta máquina lavadora es utilizada para propósitos comerciales esta garantía se aplicará por únicamente 90 días a partir de la fecha de compra. Si esta máquina lavadora a presión es utilizada para propósitos de alquiler, esta garantía se aplicará por únicamente 30 días después de la fecha de compra. Esta garantía no cubre:

- Elementos como bujías y filtros de aire los cuales se desgastan durante el uso normal. Reparaciones necesarias debido a abuso o negligencia del operador, incluyendo daño debido a que no fue suministrada agua a la bomba o el no mantener el equipo de acuerdo a las instrucciones contenidas en el manual del propietario.

EL SERVICIO DE GARANTIA SE LLEVA A CABO DEVOLVIENDO LA MAQUINA LAVADORA DE ALTA PRESION A CENTRO/DEPARTAMENTO DE SERVICIO SEARS MAS CERCANO A TRAVES DE LOS ESTADOS UNIDOS. Esta garantía le da derechos legales específicos y usted también podría tener otros derechos, los cuales varían de estado a estado.

# TABLA DEL CONTENIDO

REGLAS DE SEGURIDAD .....	2	OPERACION .....	12-14
ESPECIFICACIONES DEL PRODUCTO .....	3	RESPONSABILIDADES DEL CLIENTE .....	15-17
GARANTIA .....	3	SERVICIO Y AJUSTES .....	17
ACCESORIOS Y ADITAMENTOS .....	5	ALMACENAJE .....	18
CONTENIDO DEL PAQUETE DE ARTICULOS AUXILIARES ..	6	DIAGNOSTICO Y CORRECCION DE AVERIAS .....	19
EMPEZANDO .....	7-11	PIEZAS DE REPUESTO .....	20-28

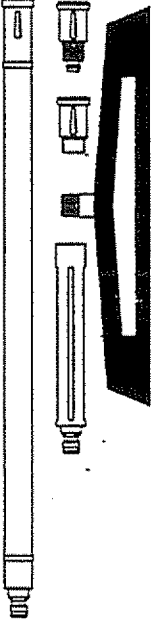
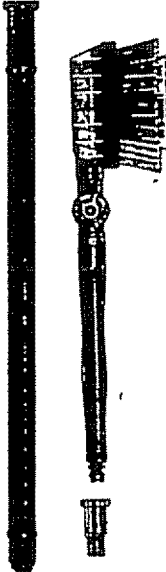





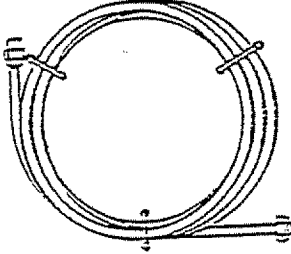
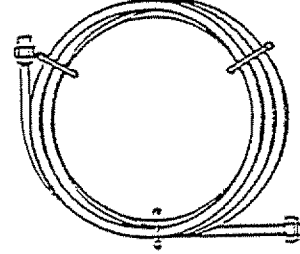
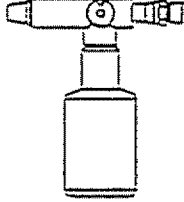
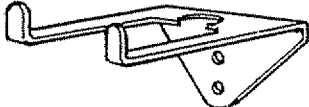


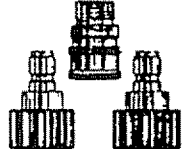

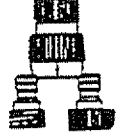

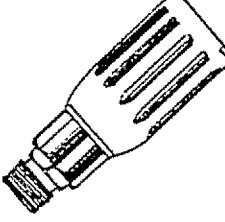
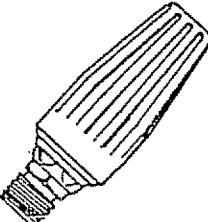
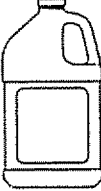

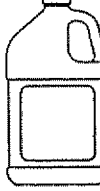
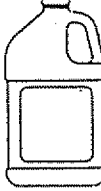
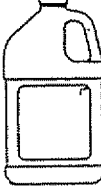
## INDICE

<b>— A —</b>	<b>— G —</b>	<b>— R —</b>
Accesorios .....	Garantía .....	Reglas de Seguridad .....
Aceite del Motor .....		Regulador de Presión .....
Almacenaje		Responsabilidades del Cliente
Bomba de la Lavadora a Presión .....		Cambio de Aceite .....
Motor .....		Chequeo del Nivel del Aceite .....
Antes de Arrancar el Motor .....		Mantenimiento de la Lavadora a Presión .....
Antes de Cada Uso .....		Recomendaciones Generales .....
	<b>— M —</b>	Reemplazo de la Bujía .....
	Mantenimiento	Servicio del Depurador de Aire .....
	Acuerdo .....	
	Lavadora a Presión .....	
	Motor .....	
	Programa .....	
	Manguera de Alta Presión .....	
	Manubrio .....	
<b>— B —</b>		<b>— S —</b>
Boquilla Ajustable .....		Servicio y Ajustes .....
		Sifonaje .....
		Sugerencias sobre Limpieza .....
<b>— C —</b>	<b>— O —</b>	
Carburador .....	Operación	
Cerrojo de Seguridad .....	Aplicación del Detergente .....	
	Arranque del Motor .....	
	Como Usar el Equipo .....	
	Empezando .....	
	Encendido de la Lavadora .....	
	Parada .....	
<b>— D —</b>		<b>— V —</b>
Depurador de Aire .....		Velocidad del Motor .....
Diagnóstico		
y Corrección de Averías .....		
	<b>— P —</b>	
	Paquete de Artículos Auxiliares .....	
	Pedido de Piezas .....	
	Piezas de Repuesto .....	
<b>— E —</b>		
Empezando		
Antes de Arrancar el Motor .....		
Conozca Bien su Lavadora a Presión .....		
Ensamble de los Componentes .....		
Lista de Verificación .....		
Preparación para el Uso Inicial .....		
Sacando el Equipo de la Caja .....		
Especificaciones .....		



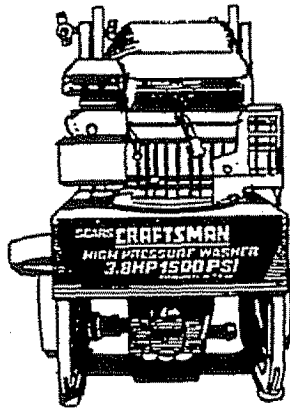
# ACCESORIOS Y CONEXIONES

Estos accesorios y conexiones estuvieron disponibles cuando fue comprada la máquina lavadora de alta presión. También están disponibles en la mayoría de puntos de venta al detal y centros de servicio de Sears. La mayoría de tiendas Sears pueden ordenar estos elementos para usted cuando proporcione el número de modelo de su máquina lavadora a presión. Es posible que algunos de estos accesorios no se apliquen a su máquina lavadora de presión.

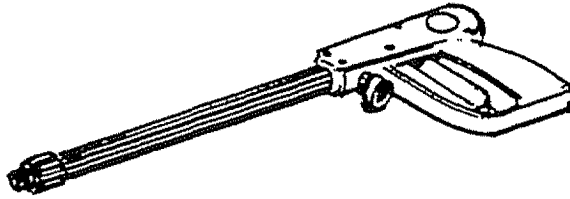
 <p>JUEGO DE CEPILLOS PARA PISO/PANELES</p>	 <p>JUEGO DE CEPILLOS GIRATORIOS</p>	 <p>JUEGO DE CEPILLOS DE SERVICIO</p>	 <p>EXTENSION DE ACERO INOXIABLE DE 18"</p>	 <p>TURBOQUILLA ELECTRICA</p>	 <p>JUEGO DE EXTENSION EN ANGULO</p>	 <p>EMBOCADURA DE CHORRO</p>
 <p>MANGUERA DE EXTENSION DE 1/4" DE D.I. 25 pies</p>	 <p>MANGUERA DE EXTENSION DE 3/8" DE D.I. 50 pies</p>	 <p>DISPOSITIVO PARA INYECCION DEL QUIMICO</p>	 <p>JUEGO DE MANGUITO DEL SERVICIO DE ACCESORIOS</p>			
 <p>JUEGO DE CONEXION RAPIDA PARA LA MANGUERA DE ALTA PRESION</p>	 <p>CONEXION RAPIDA ACCESORIA</p>	 <p>JUEGO DE CONEXION RAPIDA ACCESORIA</p>	 <p>ACOPLE DE LA MANGUERA A LA MANGUERA DE ALTA PRESION</p>	 <p>CONEXION RAPIDA PARA LA MANGUERA DEL JARDIN CON 2 ADAPTADORES</p>	 <p>MEDIDOR DE PRESION</p>	
 <p>TURBOQUILLA 1600 y 1900PSI</p>	 <p>TURBOQUILLA 2300 y 2600 PSI</p>	 <p>ENJUAGUE PARA CASA/MULTIPLE PROPOSITO</p>	 <p>ENJUAGUE PARA SUPERFICIES PLANAS</p>	 <p>ENJUAGUE PARA VEHICULO/BOTE</p>	 <p>DESENGRASA</p>	 <p>CERA PARA CARRO</p>

# CONTENIDO DEL PAQUETE DE ARTICULOS AUXILIARES

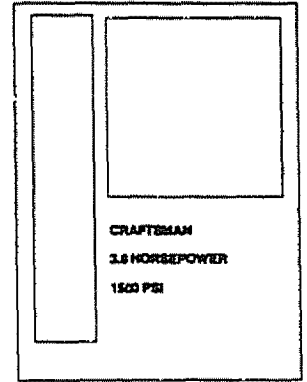
## Piezas empacadas por separado en la caja



Unidad Principal



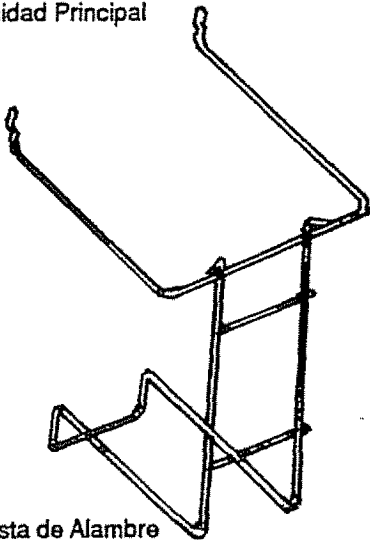
Ensamble de Pistola de Rociado



Manual del Propietario



Extensión de Boquilla Ajustable



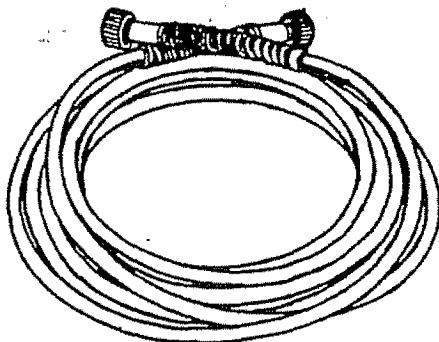
Cesta de Alambre



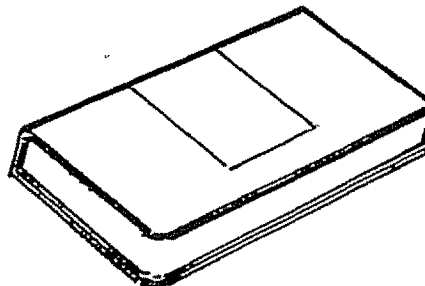
Extensión de Turboquilla



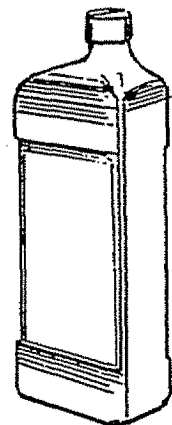
Juego para Limpiar la Boquilla



Manguera de Alta Presión



Video de Introducción al Producto

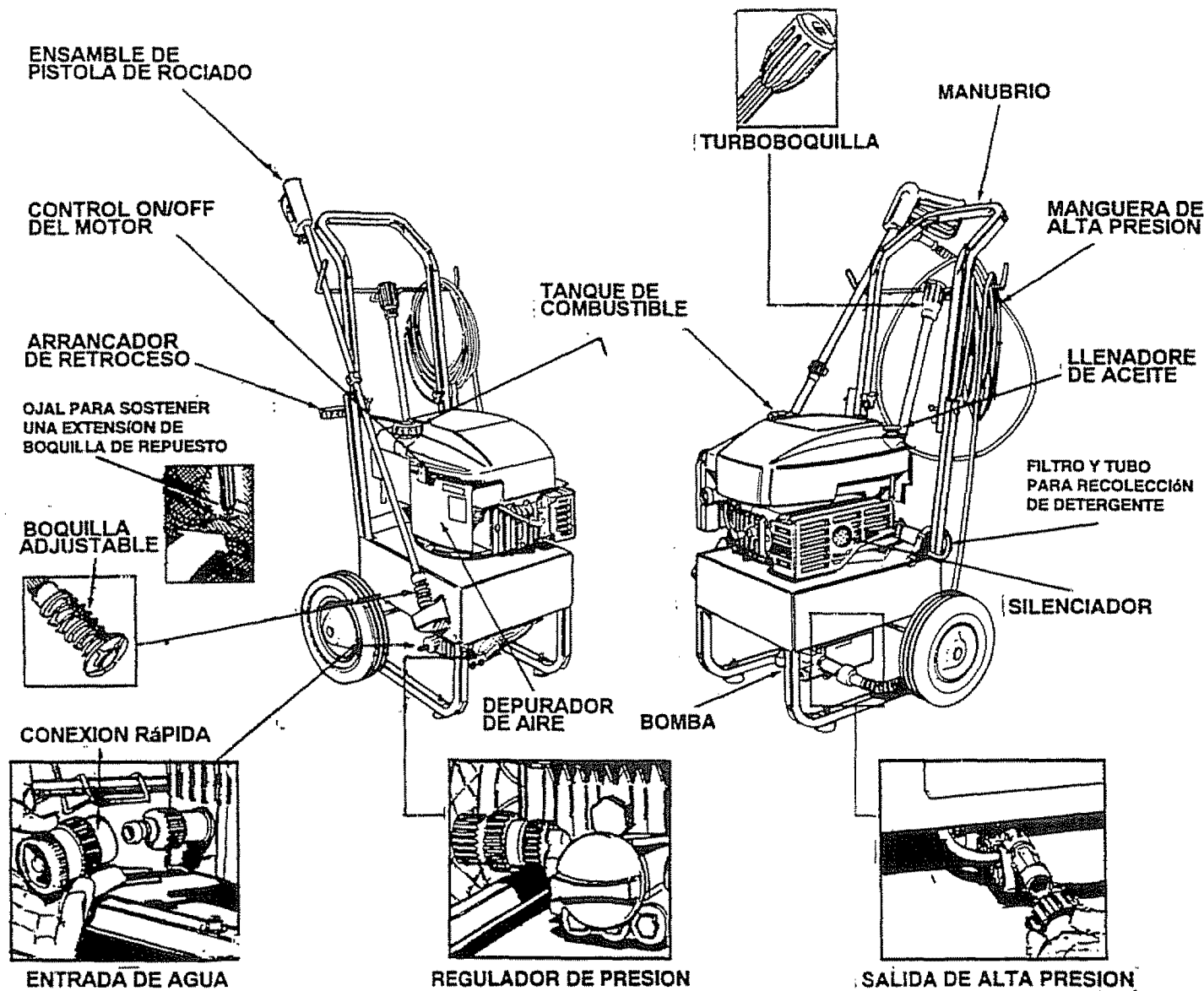


Aceite para el Motor

# EMPEZANDO

## CONOZCA BIEN SU LAVADORA DE ALTA PRESION

LEA ESTE MANUAL DEL PROPIETARIO Y LAS REGLAS DE SEGURIDAD ANTES DE OPERAR SU LAVADORA DE ALTA PRESION. Compare las ilustraciones con su lavadora de alta presión así se familiariza con la ubicación de los diversos controles y ajustes. Conserve este manual para futuras consultas.



**BOMBA** — Produce alta presión.

**REGULADOR DE PRESION** — Le permite ajustar la presión del chorro (corriente) de salida.

**CONTROL ON-OFF DEL MOTOR** — Pone al motor en el modo de arranque para el arrancador de retroceso; apaga (pone en OFF) el motor en marcha.

**ARRANCADOR DE RETROCESO** — Se usa para arrancar el motor manualmente.

**DEPURADOR DE AIRE** — El elemento de filtro tipo seco limita la cantidad de suciedad y polvo que entra al motor.

**ENSAMBLE DE PISTOLA DE ROCIADO** — Controla la aplicación de agua a la superficie bajo limpieza mediante un dispositivo de gatillo. Incluye un cerrojo (traba) de seguridad.

**MANGUERA DE ALTA PRESION** — Se conecta uno de sus extremos a la bomba de agua, y el otro a la vara de rociado.

**TUBO DE RECOLECCION DEL DETERGENTE Y FILTRO** — Mezcla el agua y el detergente en el flujo del agua de salida.

**SALIDA DE ALTA PRESION** - Conexión para la manguera de alta presión.

**TURBOBOQUILLA** — Ensancha el área de superficie del rocío de alta presión.

**CONEXION RAPIDA** — Permite conectar fácilmente el suministro de agua de entrada.

# EMPEZANDO

## SAQUE LA LAVADORA A PRESION DE LA CAJA

- Saque la manguera de alta presión, la pistola de rociado y sus extensiones, el aceite para el motor, y el video de instrucciones de la envoltura de cartón puesta en las paredes interiores de la caja.
- Saque la unidad con una mano bajo la bomba y la otra mano bajo el arrancador de retroceso.
- Al extraer la unidad completa, encontrará un paquete envuelto en cartón y plástico. En este paquete están la cesta de alambre y la cinta de video.

Vea en la Página 6, "Contenidos del Paquete de Artículos Auxiliares", una lista ilustrada de todos los items incluidos con su lavadora a presión. Familiarícese con cada pieza antes de ensamblar la lavadora a presión. Verifique todo el contenido en base a las ilustraciones en Página 6. Si hay piezas dañadas o faltantes, llame a la Línea de Ayuda de Lavadoras a Presión, tel. 1-800-222-3136.

## PREPARACION DE LA LAVADORA A PRESION PARA EL USO INICIAL

SI TIENE ALGUN PROBLEMA CON EL ENSAMBLE DE SU LAVADORA A PRESION, POR FAVOR LLAME A LA LINEA DE AYUDA DE LAVADORAS A PRESION, TEL. 1-800-222-3136.

Su Lavadora de Alta Presión Sears Craftsman ha sido, en su mayor parte, ensamblada en fábrica. Sin embargo, para preparar su lavadora a presión para su funcionamiento, usted deberá llevar a cabo estas tareas:

- Levante el manubrio y coloque la cesta de alambre donde se ponen las sustancias químicas.
- Conecte la manguera de alta presión a la pistola de rociado y a la bomba, y conecte el suministro de agua a la bomba.
- Ponga aceite en el cárter del motor.
- Ponga combustible en el tanque de combustible.

### PASO 1 - Levante el manubrio.

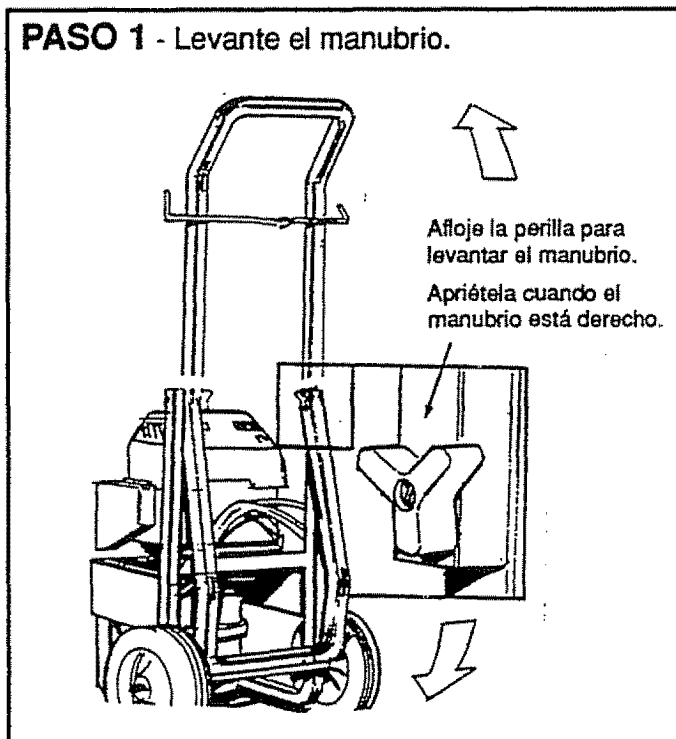


FIG. 1

### PASO 2 - Tome la cesta de alambre e introduzca sus puntas en los agujeros de la base del armazón ubicados detrás del motor.

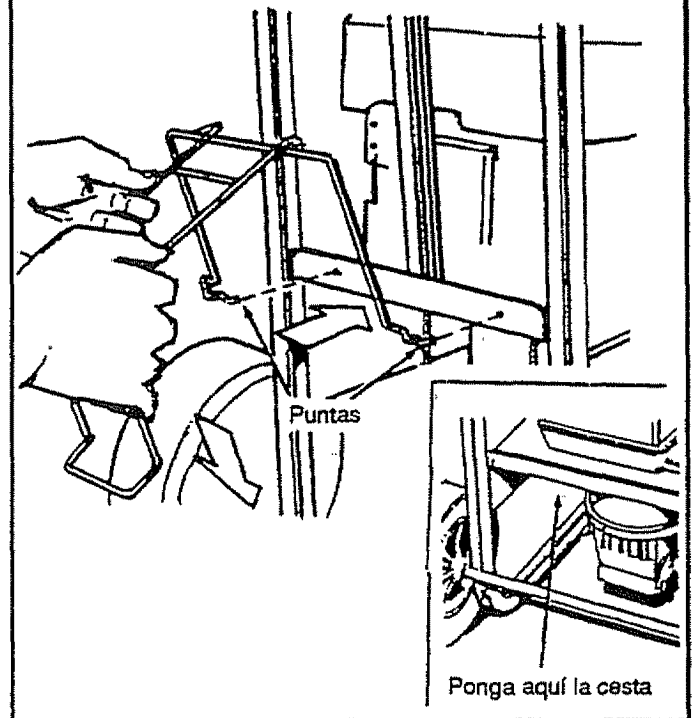


FIG. 2

### PASO 3 - Ajuste la cesta al eje.

Tras introducir las puntas en los agujeros, gire la cesta hacia abajo. Sostenga la cesta como se muestra en la Fig. 3.

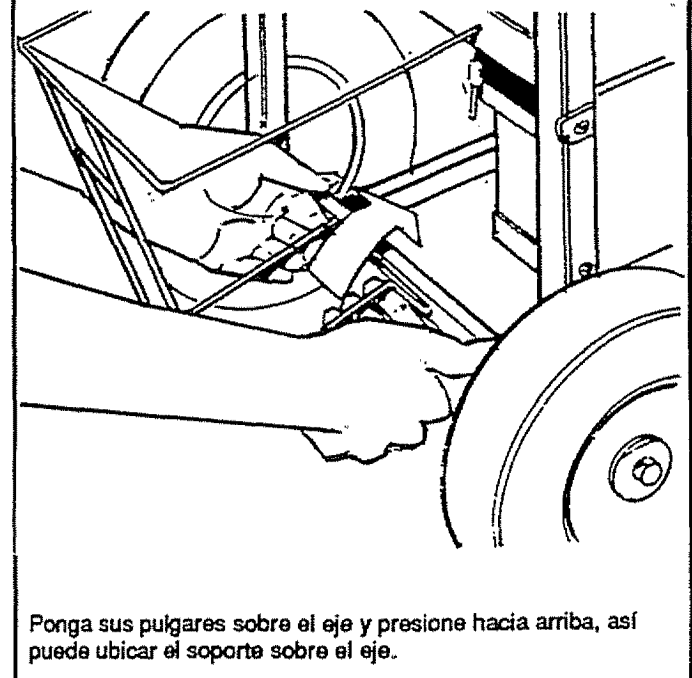


FIG. 3

# EMPEZANDO

## ENSAMBLE DEL RESTO DE LOS COMPONENTES

**IMPORTANTE:** ANTES DE ARRANCAR EL MOTOR, DEBE ENSAMBLAR LA VARA Y FIJAR TODAS LAS MANGUERAS. SI SE ARRANCA EL MOTOR SIN QUE TODAS LAS MANGUERAS ESTEN CONECTADAS Y SIN SUMINISTRAR AGUA, VA A DAÑAR LA BOMBA.

- Desenrolle la manguera de alta presión y conecte uno de sus extremos a la base de la pistola de rociado (Fig. 4). Apriete a mano.

**PASO 4** - Conecte la manguera de alta presión a la pistola de rociado.



FIG. 4

- Fije el otro extremo de la manguera de alta presión al herraje de alta presión en la bomba (Fig. 5). Apriete a mano.

**PASO 5** - Conecte la manguera de alta presión a la bomba.

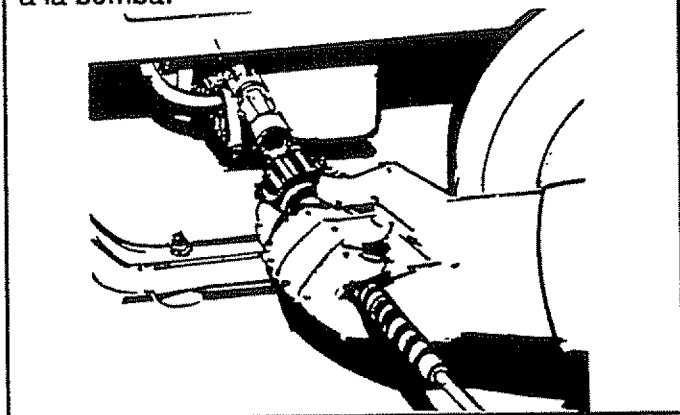


FIG. 5

- Esta unidad trae un accesorio de conexión rápida que está fijado a la Entrada de Agua en la bomba. Este conector rápido tiene dos partes — un Conector Macho y un Conector Hembra (Fig. 6). Revise el Tamiz (cedazo o criba) de Entrada en el conector hembra. Límpielo si contiene desechos, o reemplácelo si está dañado. **NO HAGA FUNCIONAR LA LAVADORA A PRESIÓN SI EL TAMIZ ESTA DAÑADO.**

**PASO 6** - Conecte una manguera de jardín al conector rápido y ABRA el suministro de agua.

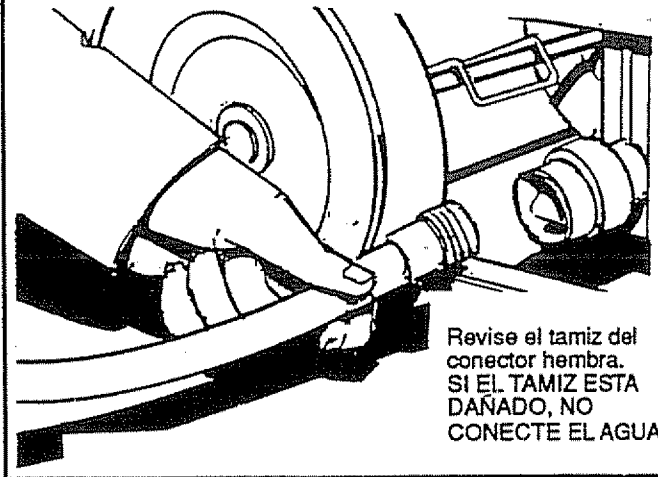


FIG. 6

**PASO 7** - Apriete el gatillo para purgar de aire e impurezas el sistema de bombeo.

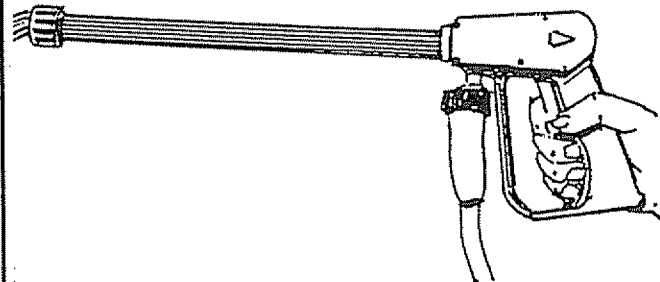


FIG. 7

**PASO 8** - Conecte la extensión de boquilla a la pistola de rociado.

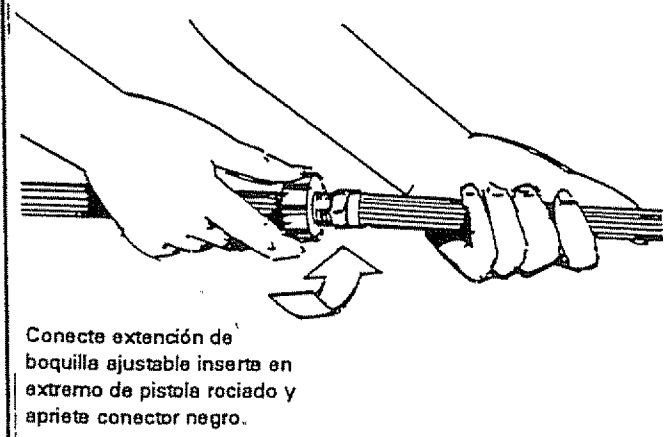


FIG. 8

# EMPEZANDO

**PASO 9** - Ponga la pistola de rociado ensamblada en el soporte y coloque la turboboquilla en el soporte de almacenaje.

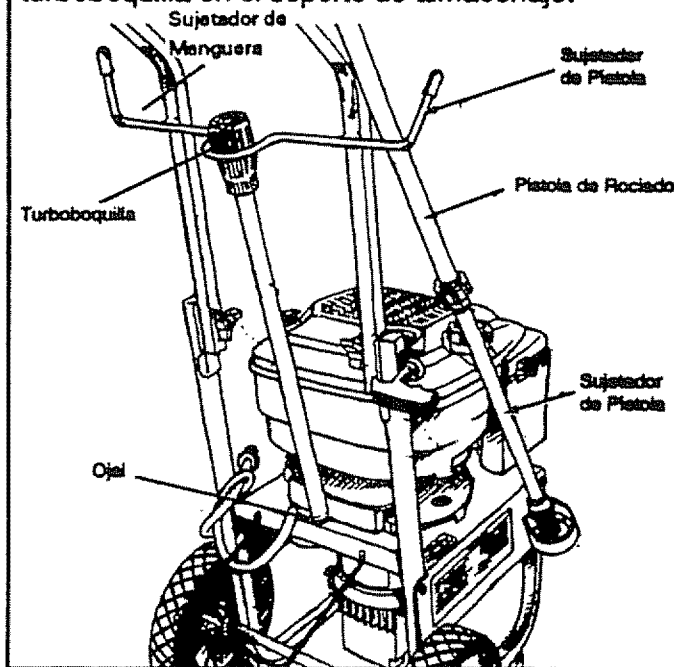


FIG. 9

## ANTES DE ARRANCAR EL MOTOR

Como parte del proceso de ensamblado, deberá preparar el motor para el arranque inicial. Para operar el motor, va a requerir lo siguiente:

### ACEITE DEL MOTOR

**IMPORTANTE:** CUALQUIER INTENTO DE CRANQUEAR O ARRANCAR EL MOTOR ANTES DE DARLE EL SERVICIO APROPIADO CON EL ACEITE QUE SE RECOMIENDA, RESULTARA EN UNA FALLA DEL MOTOR.

Se incluye un frasco de 20 onzas de aceite peso SAE 30 en la caja de repuestos.

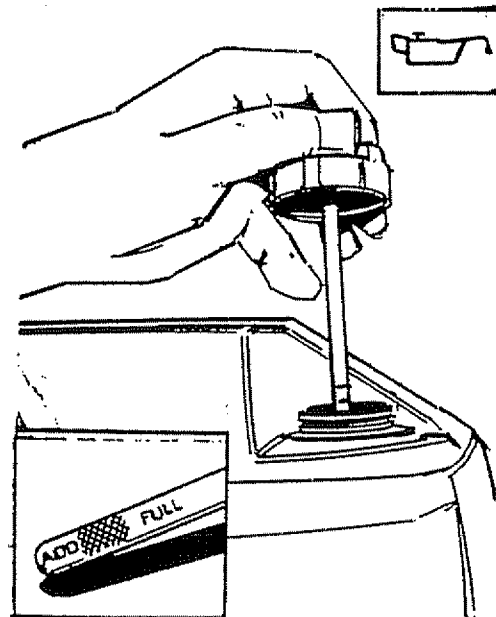
**NOTA:** Al añadir aceite en lo sucesivo al cárter del motor, use sólo aceite detergente de alta calidad con clasificación API de servicio SF, SG, o SH, de peso SAE 30. Seleccione el grado de viscosidad del aceite de acuerdo a la temperatura esperada de funcionamiento.

más frío	32° F (0° C)	más caliente
5W30		SAE30

Si bien los aceites de multiviscosidad (5W30, 10W30, etc.) mejoran el arranque en tiempo frío, tales aceites de multiviscosidad resultarán en un mayor consumo de aceite al usarlos a más de 32° F (0° C). Chequee frecuentemente el nivel de aceite del motor para evitar posibles daños por funcionar con poco aceite. La capacidad del colector de aceite es de 20 onzas.

- Ubique la lavadora a presión de manera que el motor esté nivelado.
- Limpie el área que rodea el llenador de aceite, y saque la varilla de nivel de aceite (Fig. 10).

**PASO 10** - Añada aceite al cárter del motor. No trate de arrancar el motor sin añadir aceite.



Debe llenarse hasta la marca FULL en la varilla de nivel. Toda vez que cambie aceite, use uno del mismo grado.

FIG. 10

- Limpie la varilla de nivel, introdúzcala en el orificio de llenado de aceite, y apriétela firmemente. Saque la varilla de nivel de aceite. Si el aceite no está hasta la marca FULL en la varilla, añada el aceite recomendado. VIERTALO LENTAMENTE.
- Cada vez que chequee el nivel de aceite, limpie bien la varilla.
- Vierta aceite del frasco en el orificio de llenado de aceite.
- Vuelva a poner la varilla de nivel, apretándola bien con la mano.

# EMPEZANDO

## AÑADA GASOLINA



**ADVERTENCIA: NUNCA LLENE EL TANQUE DE COMBUSTIBLE EN UN LUGAR INTERIOR. NUNCA LLENE EL TANQUE DE COMBUSTIBLE CUANDO EL MOTOR ESTA EN MARCHA O CALIENTE. NO FUME MIENTRAS LLENA EL TANQUE DE COMBUSTIBLE.**



**ADVERTENCIA: NUNCA LLENE TOTALMENTE EL TANQUE DE COMBUSTIBLE. LLENELO HASTA APROXIMADAMENTE 1/2" (1.3 CM) BAJO LA BASE DEL GOLLETE DEL LLENADOR, PARA DAR ESPACIO A LA EXPANSION DEL COMBUSTIBLE. ANTES DEL ARRANQUE, LIMPIE EL COMBUSTIBLE QUE SE HAYA DERRAMADO SOBRE EL MOTOR Y EL EQUIPO.**

El fabricante recomienda usar gasolina regular sin plomo para automotor, fresca y limpia, con un mínimo de 77 octanos (La gasolina con plomo de grado regular es un sustituto aceptable). La capacidad del tanque es de 1-1/2 quartos (aprox. 0.95 litros).

- Use combustible limpio, y almacénelo en recipientes aprobados cubiertos y limpios. Use embudos limpios. Nunca se debe usar gasolina vieja ("rancia") que haya sobrado de la estación anterior, ni gasolina almacenada durante un largo tiempo.

**IMPORTANTE: ES DE SUMA IMPORTANCIA EL EVITAR QUE SE FORMEN DURANTE EL ALMACENAJE DEPOSITOS GOMOSOS EN PARTES ESENCIALES DEL SISTEMA DE COMBUSTIBLE, TALES COMO EL CARBURADOR, EL FILTRO DE COMBUSTIBLE, LA MANGUERA DE COMBUSTIBLE, O EL TANQUE. ASIMISMO, SE SABE POR EXPERIENCIA QUE LOS COMBUSTIBLES MEZCLADOS CON ALCOHOL (EL LLAMADO GASOHOL, O LOS QUE USAN ETANOL O METANOL) PUEDEN ATRAER HUMEDAD, LO QUE LLEVA A LA SEPARACION Y FORMACION DE ACIDOS DURANTE EL ALMACENAJE. EL GAS ACIDO PUEDE DAÑAR EL SISTEMA DE COMBUSTIBLE DE UN MOTOR DURANTE EL ALMACENAJE. PARA EVITAR PROBLEMAS EN EL MOTOR, EL SISTEMA DE COMBUSTIBLE DEBE VACIARSE ANTES DE UN ALMACENAJE DE 30 DIAS O MAS. VER "ALMACENAJE" EN LA PAGINA 18. NUNCA DEBE USAR PRODUCTOS LIMPIADORES DEL MOTOR O DEL CARBURADOR EN EL TANQUE DE COMBUSTIBLE, PUES PUEDEN OCASIONAR DAÑOS PERMANENTES.**

- Limpie el área que rodea la tapa de llenado de combustible, y quite esta tapa (Fig. 11).
- Añada lentamente gasolina regular "SIN PLOMO" al tanque de combustible.

**IMPORTANTE: PEQUEÑAS GOTAS DE AGUA SE PRESENTARAN POR DEBAJO DE LA BOMBA DURANTE SU OPERACION. ESTA CONDICION ES NORMAL DEBIDO AL AGUA UTILIZADA PARA LUBRICAR LOS SELLOS EN LA BOMBA, VER FIGURA 11A.**

## PASO 11 - Añada gasolina al tanque de combustible.

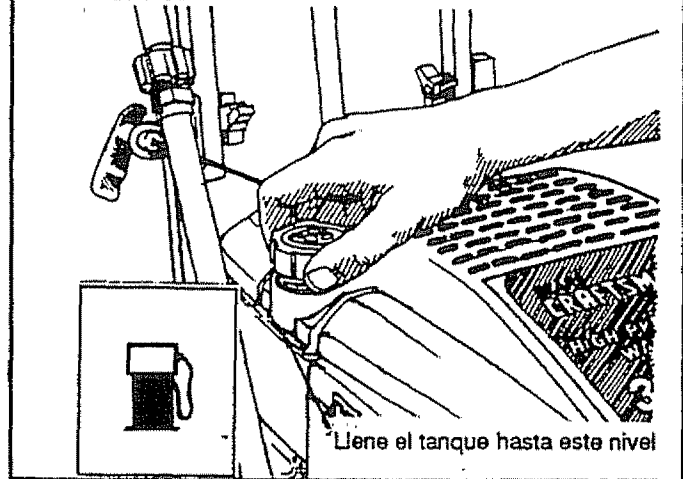


FIG. 11

- Coloque la tapa de combustible, y limpie toda la gasolina derramada.

## LISTA DE VERIFICACION

Una vez que haya llegado a este punto, vuelva a revisar el ensamble para ver si ha efectuado todo lo siguiente.

- Chequee que las mangueras (de alta presión y de suministro de agua) estén debidamente conectadas, que las conexiones estén bien apretadas, y que la manguera de alta presión no esté retorcida ni tenga cortes u otros daños.
- Antes de tratar de arrancar la lavadora a presión, revise si se añadió aceite hasta el nivel apropiado en el cárter del motor.
- Añada la gasolina apropiada al tanque de combustible.
- Provea un suministro apropiado de agua, que no exceda de 140° F (60° C).
- Antes de usar la lavadora a presión, no deje de leer las secciones sobre "Reglas de Seguridad" y "Operación".

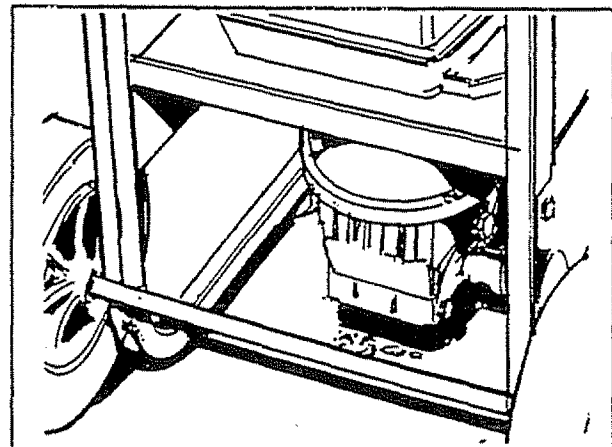


FIG. 11A

# OPERACION

## EMPEZANDO

SI TIENE ALGUN PROBLEMA OPERANDO SU LAVADORA A PRESION, POR FAVOR LLAME A LA LINEA DE AYUDA DE LAVADORAS A PRESION, TEL. 1-800-222-3136.

Usted ha ensamblado su lavadora de alta presión, y ha preparado el motor para el arranque. Está ahora listo para limpiar su automóvil o barco, o cualquiera sea lo que tenga planeado limpiar.

## COMO ARRANCAR EL MOTOR

EL ARRANQUE DE SU LAVADORA A PRESION ES DIFERENTE DEL DE AQUELLAS OPERADAS POR MONEDAS. Para que salga el agua de la pistola de rociado en las mismas, debe poner la cantidad requerida de monedas y oprimir un botón.

LA MEJOR MANERA DE ARRANCAR SU LAVADORA A PRESION ACCIONADA POR MOTOR POR PRIMERA VEZ ES SEGUIR ESTAS INSTRUCCIONES PASO A PASO. ESTA INFORMACION DE ARRANQUE DEBE APLICARSE TAMBIEN CUANDO ARRANQUE EL MOTOR LUEGO QUE LA LAVADORA A PRESION ESTUVO SIN FUNCIONAR DURANTE POR LO MENOS UN DIA.

- Coloque la lavadora a presión en un área suficientemente cercana a una fuente exterior de agua que pueda fluir a una velocidad de tres (3) galones por minuto (11,4 l/m). Conecte una manguera de jardín al caño de agua.
- Verifique que la manguera de alta presión esté conectada apretadamente a la pistola de rociado y a la bomba. Vea las ilustraciones en la sección sobre ensamble.
- Verifique que la manguera de jardín esté conectada apretadamente a la abertura de entrada de agua en la bomba de la lavadora, y que el suministro de agua esté ABIERTO.
- Ajuste el control del obturador del motor a la posición RUN (Fig. 12).

**PASO 12 -** Ponga el interruptor de control del obturador en posición RUN.

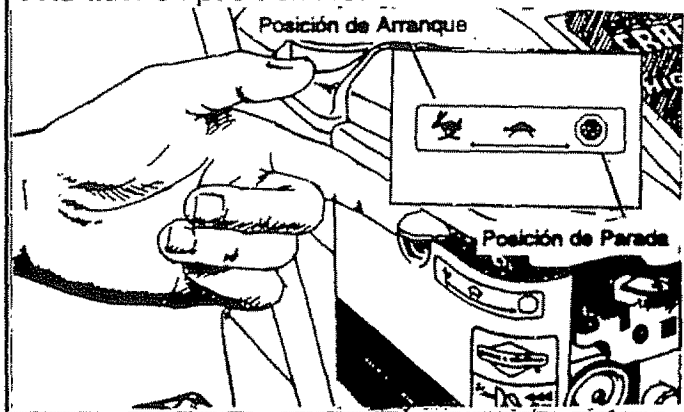


FIG. 12

- Apriete el gatillo de la pistola de rociado para aliviar la presión de aire producida al ABRIR el suministro de agua. El agua saldrá de la pistola en un chorro fino. Esto hará más fácil arrancar el motor jalando la cuerda.
- Aplique el cerrojo de seguridad al gatillo de la pistola de rociado (Fig. 13).
- Apriete firmemente 5 veces el botón cebador (Fig. 14).
- Agarre la manija de la cuerda y jale lentamente hasta que note algo de resistencia. Mantenga los dedos de la otra mano alejados del volante rotativo. Luego, jale de la cuerda rápidamente para vencer la compresión, evitar el contragolpe, y arrancar el motor.

**PASO 13 -** Apriete el gatillo para aliviar la presión del agua y enganchar el cerrojo de seguridad en posición ON.

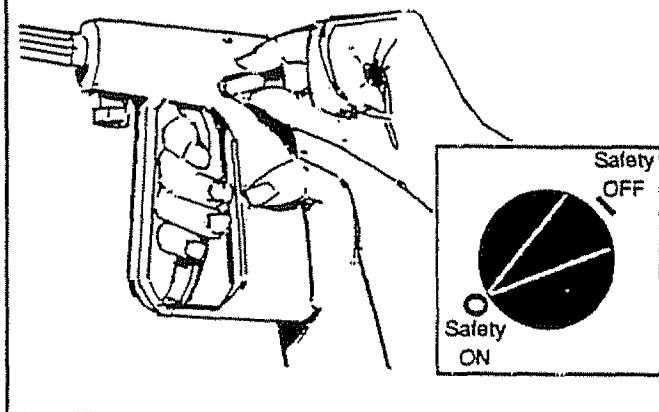


FIG. 13

**PASO 14 -** Oprima 5 veces el botón cebador.

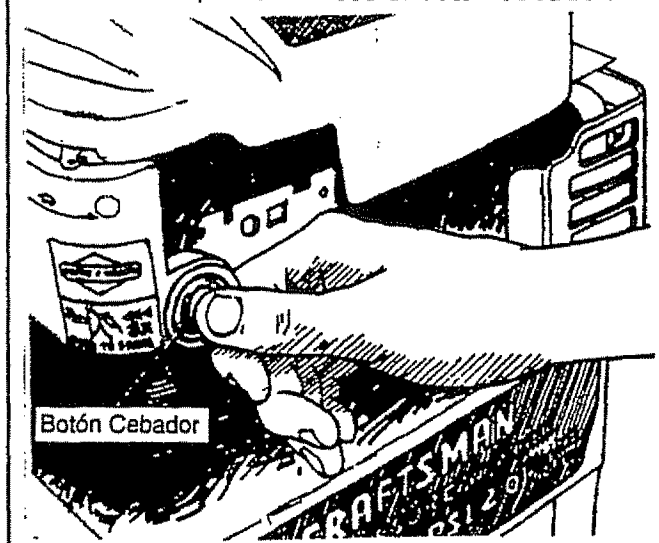


FIG. 14

- Si el motor no arranca tras jalar tres veces, cebe el motor 3 veces nuevamente, apriete el gatillo para aliviar la presión, suelte el gatillo y jale otra vez la cuerda del arrancador.
- Una vez que haya arrancado el motor, ponga el Cerrojo de Seguridad en posición OFF.

## PARANDO SU LAVADORA A PRESION

**IMPORTANTE:** NO HAGA FUNCIONAR LA BOMBA SIN QUE EL SUMINISTRO DE AGUA ESTE CONECTADO Y ABIERTO. SI NO CUMPLE CON ESTO, LA BOMBA RESULTARA DAÑADA.

- Primero, mueva la palanca del obturador del motor a la posición "STOP" (Fig. 12).
- No basta con APAGAR el motor para aliviar la presión del sistema. Dispare el gatillo en el ensamble de vara de rociado para aliviar la presión en la manguera.

**NOTA:** Al liberar la presión, saldrá una pequeña cantidad de agua.

# OPERACION

## COMO USAR SU LAVADORA

Es necesario que sepa como **ARRANCAR** su lavadora a presión y como **PARARLA**. La información en esta sección le indicará como ajustar la configuración (patrón o forma) del rociado, así como aplicar detergente y otras sustancias químicas de limpieza.

## COMO USAR LA BOQUILLA AJUSTABLE



**ADVERTENCIA: NUNCA DEBE AJUSTAR LA CONFIGURACION DE ROCIADO MIENTRAS ESTA ROCIANDO. NUNCA PONGA LAS MANOS DELANTE DE LA BOQUILLA PARA AJUSTAR LA CONFIGURACION DE ROCIADO. PODRIA LESIONARSE.**

EN LAS LAVADORAS A PRESION OPERADAS POR MONEDAS, SI SE DESEA CAMBIAR LA FUERZA DEL ROCIADO SE DEBE APRETAR UN BOTON, O GIRAR UN DIAL. SU LAVADORA A PRESION ACCIONADA POR MOTOR NO TIENE BOTONES QUE APRETAR NI DIALES QUE GIRAR.

Al extremo de su pistola de rociado hay una boquilla que puede deslizarse hacia adelante o atrás, y también rotarse de un lado al otro. Esta boquilla ajustable está en lugar de los botones o diales. Con la boquilla ajustable usted puede variar la configuración de rociado entre alta o baja presión. Puede también ajustar el rociado para que se concentre como un chorro, o se expanda en forma de abanico. Use esta boquilla para aplicar detergente.

- Deslice la boquilla hacia adelante cuando desee ajustar el rociado al modo de baja presión (Fig. 15). Deslice la boquilla hacia atrás para alcanzar alta presión.
- Para probar la configuración, apunte la boquilla hacia el suelo y apriete el gatillo (Fig. 16).
- Al rotar la boquilla se ajusta la configuración de rociado desde un chorro angosto a un chorro ensanchado.



FIG. 16

- Para una limpieza más eficaz, mantenga la boquilla de rociado entre 8 y 24 pulgadas (20 y 61 cm) de la superficie que se está limpiando.
- La superficie que se está limpiando puede resultar dañada si se acerca demasiado la boquilla de rociado, especialmente al usar el modo de alta presión.
- No se acerque más de 6 pulgadas (15 cm) al limpiar llantas de automóviles.

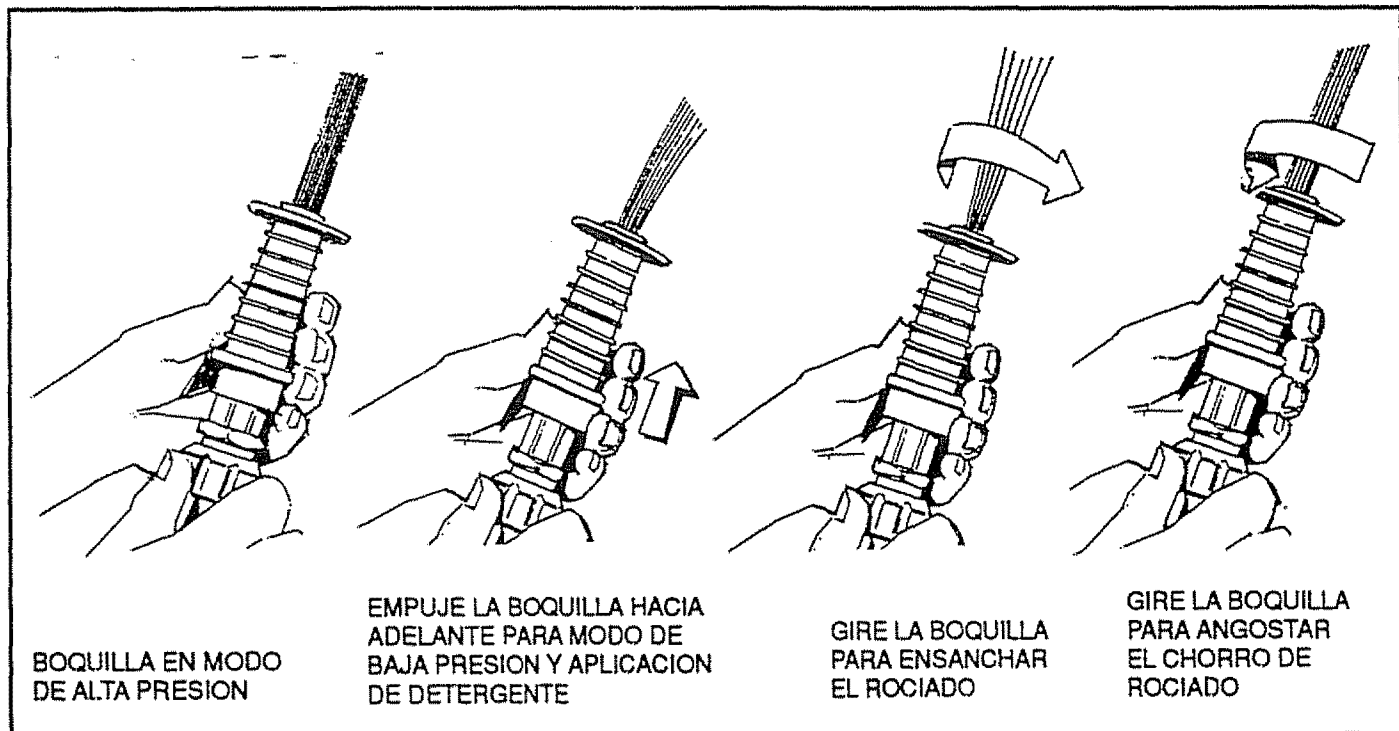


FIG. 15

# OPERACION

- Puede también ajustar la presión girando la Perilla Reguladora (Fig. 17) hasta el punto de presión deseado. Girando esta perilla totalmente en el sentido de las agujas del reloj se logra la presión más alta.

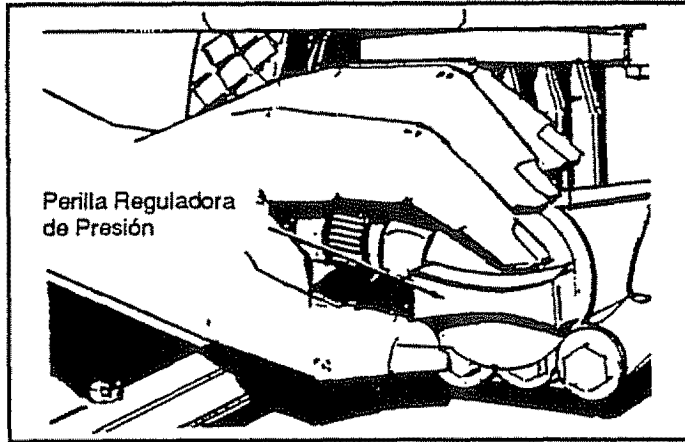


FIG. 17

## APLICACION DE DETERGENTE CON LA BOQUILLA AJUSTABLE

**IMPORTANTE: USE JABONES FORMULADOS ESPECIFICAMENTE PARA LAVADORAS A PRESION. LOS DETERGENTES DE TIPO DOMESTICO PODRIAN DAÑAR LA BOMBA.**

**IMPORTANTE: DEBE FIJAR TODAS LAS MANGUERAS ANTES DE ARRANCAR EL MOTOR. LA BOMBA SE DAÑARA AL ARRANCAR EL MOTOR SIN QUE TODAS LAS MANGUERAS ESTEN CONECTADAS.**

PARA APLICAR EL DETERGENTE, SIGA ESTOS PASOS:

- Lea en la Pág. 13 sobre el uso de boquillas ajustables.
- Prepare la solución detergente según lo requiera su tarea.
- Ponga un pequeño filtro de tubo transparente de sifonaje de detergente en el recipiente del detergente (Fig. 18) ubicado en la cesta de alambre.

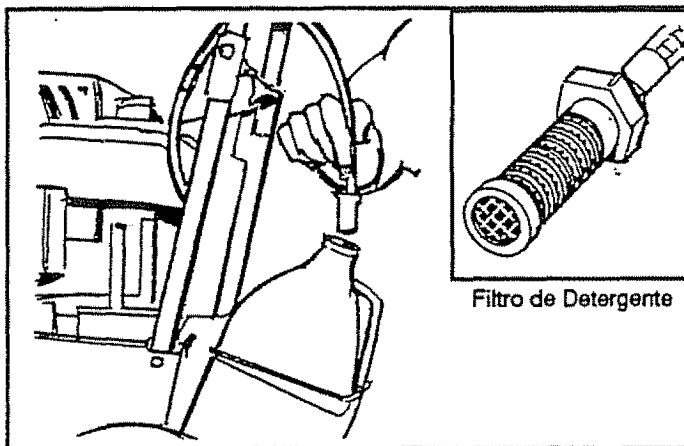


FIG. 18

- Deslice hacia adelante la boquilla ajustable (Fig. 19), al modo de baja presión. El detergente no puede aplicarse con la boquilla en posición de alta presión.
- Conecte una manguera de jardín a la entrada de agua, verifique si la manguera de alta presión está conectada a la pistola de rociado y a la bomba, y arranque el motor. Aplique detergente en una superficie seca, comenzando en la parte inferior y siguiendo hacia arriba.

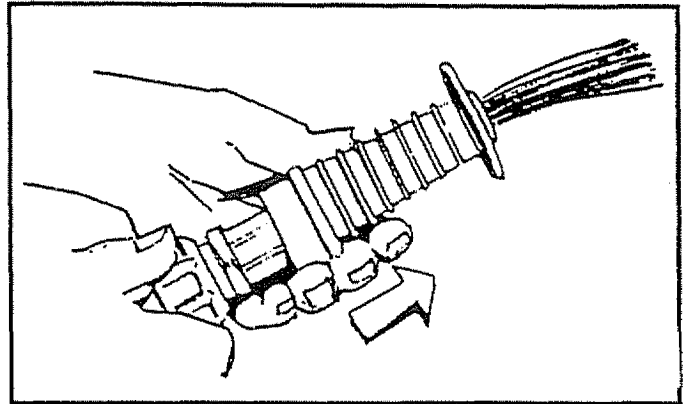


FIG. 19

- Deje que el detergente se absorba en la superficie durante 3 a 5 minutos antes del lavado y el enjuague.
- Para la limpieza, comience en la parte inferior del área a lavar, siguiendo hacia arriba con movimientos largos y superpuestos.
- Para el enjuague, empuje la manga de la boquilla hacia alta presión, y espere a que desaparezca el detergente. Comience en la parte superior del área a enjuagar, siguiendo hacia abajo con movimientos similares a los de la limpieza.
- Se puede también detener el flujo de detergente quitando el sifón del frasco.

## ENJUAGUE/LAVADO A PRESION

**ADVERTENCIA: TENGA SUMO CUIDADO SI DEBE USAR LA LAVADORA A PRESION DESDE UNA ESCALERA, ANDAMIAJE, U OTRA UBICACION RELATIVAMENTE INESTABLE. LA PRESION DE UNA LAVADORA EN MARCHA SE INCREMENTA EN LA VARA A MEDIDA QUE USTED SUBE. AL APRETAR EL GATILLO, EL CONTRAGOLPE DEL ROCIADO INICIAL PUEDE HACERLO CAER, O, SI ESTA DEMASIADO CERCA DE LA SUPERFICIE BAJO LIMPIEZA, LA PRESION ALTA PUEDE EMPUJARLO FUERA DE DONDE ESTA PARADO.**

- Trabaje desde la parte superior de la superficie hacia abajo.
- Limpie primero un área y verifique luego si la superficie se ha dañado. Si no encuentra daños, puede suponer que no habrá problema en continuar limpiando.

## SUGERENCIAS

- Nunca use la toma de la manguera de jardín para sifonear detergente o cera, ni agua de otro suministro que no sea el doméstico.
- Si mantiene la boquilla de rociado demasiado alejada, la limpieza será menos eficaz.

## SIFONAJE

Recomendamos que NO tome su suministro de agua de otras fuentes que la conexión al suministro doméstico de agua.

## COMO USAR LA TURBOBOQUILLA

- Esencialmente, la turbo-boquilla giratoria expande el área del chorro de alta presión.
- Con esta boquilla no se puede ajustar la configuración de rociado.
- No se puede aplicar detergente con esta boquilla.

# RESPONSABILIDADES DEL CLIENTE

PROGRAMA DE MANTENIMIENTO LLENE CON LAS FECHAS AL IR COMPLETANDO EL SERVICIO REGULAR	INTERVALO HORARIO DE OPERACION				FECHAS DE SERVICIO			
	Antes de Cada Uso	Cada 25 Horas o Anualmente	Cada 50 Horas o Anualmente	Cada 100 Horas o Anualmente				
<b>LAVADORA A PRESION</b>								
Revise/limpie el tamiz de entrada	X †							
Revise la manguera de alta presión	X							
Revise la manguera del detergente	X							
Chequee si hay fugas en la pistola y vara	X							
Purgue la bomba de aire y contaminantes			X*					
<b>MOTOR</b>								
Chequee el nivel del aceite	X							
Cambie el aceite del motor †			X*					
Limpie el elemento de espuma de aceite		X**						
Reemplace/limpie la bujía				X				
Prepare la unidad para el almacenaje	La unidad deberá prepararse para su almacenaje si se la mantendrá inactiva durante más de 30 días.							

- † Límpielo si está obstruido. Reemplácelo si está perforado o roto.
- ‡ Cambie el aceite luego de las primeras 5 horas, y cada 50 horas de allí en adelante.
- \* Cámbielo antes si se opera con carga pesada o a elevada temperatura ambiente.
- \*\* Límpielo con más frecuencia si se trabaja en condiciones polvorientas o cuando hay basuras en el aire.

## RECOMENDACIONES GENERALES

La garantía de la lavadora de alta presión no cubre ítems que hayan estado sujetos a negligencia o abuso por parte del operador. Para recibir la cobertura completa de la garantía, el operador deberá mantener la lavadora de alta presión según las instrucciones de este manual.

Deberán realizarse periódicamente algunos ajustes para el mantenimiento adecuado de su lavadora de alta presión.

Todos los ajustes indicados en la sección de Servicio y Ajustes de este manual deberán hacerse por lo menos una vez cada estación del año.

- Una vez al año deberá reemplazar la bujía, y limpiar o reemplazar el filtro de aire, y revisar el ensamble de pistola y vara por si están desgastados. Una bujía nueva y un filtro limpio de aire darán una buena mezcla combustible-aire, y contribuirán a un mejor funcionamiento y una vida más larga del motor.

## ANTES DE CADA USO

- Chequee el nivel del aceite.
- Chequee si el tamiz de la conexión rápida está dañado.
- Revise si la manguera de alta presión tiene fugas.
- Chequee si el filtro y la manguera de entrada de detergente están dañados.
- Revise el ensamble de pistola y vara por si hay fugas.

## MANTENIMIENTO DE LA LAVADORA A PRESION

**Revise y Limpie el Tamiz de Entrada:** Quite de la entrada de agua el tamiz de entrada. Limpie el tamiz si está obstruido, o reemplácelo si está dañado.

**Revise la Manguera de Alta Presión:** En la manguera de alta presión pueden producirse fugas debidas al desgaste, retorcimiento, abuso, etc. Chequee todas las mangueras por si hay cortes, fugas, abrasiones, o abultamiento de la cubierta, o si hay daños o juego en los acoplamientos. Si se detecta cualquiera de estas condiciones, reemplace inmediatamente la manguera.



**PELIGRO: EL AGUA ROCIADA A TRAVES DE UNA FUGA PUEDE INYECTAR MATERIAL EN LA PIEL. REVISE SIEMPRE LA MANGUERA ANTES DE USARLA. NUNCA SE DEBE REPARAR UNA MANGUERA DE ALTA PRESION. DEBE REEMPLAZARLA CON OTRA MANGUERA QUE CUMPLA CON LA CLASIFICACION MINIMA DE PRESION DE SU LAVADORA A PRESION.**

**Revise la Manguera del Detergente:** Examine el filtro en la manguera del detergente, y límpielo si está obstruido. La manguera deberá ajustarse herméticamente al accesorio arponado. Revise la manguera por si hay fugas o desgarraduras. Reemplace el filtro o la manguera si cualquiera de ellos está dañado.

**Revise la Pistola y la Vara:** Verifique si la conexión de la manguera está firme. Pruebe el gatillo oprimiéndolo y asegurándose que vuelve a su lugar al ser liberado. Ponga el cerrojo de seguridad en la posición ON — no debería entonces poder oprimir el gatillo.

# RESPONSABILIDADES DEL CLIENTE

**Purgue la Bomba de Aire y de Contaminantes:** Para quitar el aire de la bomba, siga estos pasos:

- Prepare la lavadora a presión según se describe en la sección sobre ensamble, y conecte el suministro de agua.
- Quite el accesorio de boquilla de la pistola.
- Apriete el gatillo de la pistola, y manténgalo oprimido.

Para quitar los contaminantes de la bomba, siga estos pasos:

- Prepare la lavadora a presión según se describe en la sección sobre ensamble, conecte el suministro de agua, y arranque el motor de acuerdo a las instrucciones en la sección OPERACION.
- Quite el accesorio de boquilla de la pistola.
- Apriete el gatillo de la pistola, y manténgalo oprimido.
- Cuando el suministro de agua sea regular y constante, puede volver a fijar el accesorio de boquilla y arrancar la bomba.

## MANTENIMIENTO DEL MOTOR

### CHEQUEO DEL NIVEL DE ACEITE

Ver "ANTES DE ARRANCAR EL MOTOR" para información sobre chequeo del nivel de aceite. El nivel de aceite deberá chequearse antes de cada uso, o por lo menos cada 5 horas de operación. Mantenga constante el nivel de aceite.

### CAMBIO DE ACEITE



**CUIDADO:** Desconecte el alambre de bujía de la bujía, y manténgalo alejado de la misma.

Cambie el aceite luego de las primeras 5 horas de operación. De allí en adelante, cambie el aceite cada 50 horas. Si está usando su lavadora a presión bajo extremadas condiciones de suciedad y polvo, o de temperatura ambiente sumamente alta, cambie el aceite con mayor frecuencia.

Cambie el aceite mientras el motor está aún tibio luego de funcionar, como se indica a continuación:

- Antes de inclinar la lavadora a presión para evacuar el aceite, desagote el tanque de combustible haciendo funcionar la lavadora hasta que el tanque esté vacío.
- Limpie el área que rodea el llenador de aceite, y sáquele la tapa, así como la varilla de nivel. Limpie la varilla de nivel.
- Incline la lavadora a presión como se muestra en Fig. 20 para desagotar completamente el aceite en un recipiente adecuado. Al inclinar la lavadora a presión, mantenga hacia arriba el lado del silenciador del motor.
- Llene el cárter del motor con el aceite que se recomienda, hasta alcanzar el punto "FULL" en la varilla de nivel de aceite. No llene por arriba de esa marca. Se requieren aproximadamente 20 onzas. VIERTA EL ACEITE LENTAMENTE.
- Cuando el cárter del motor haya sido llenado al nivel correcto, coloque y apriete la varilla de nivel de aceite.

### SERVICIO DEL DEPURADOR DE AIRE

Su motor no trabajará adecuadamente, y puede resultar dañado, si lo hace funcionar usando un depurador de aire que está sucio.

Limpie o reemplace el filtro de papel del depurador de aire cada 100 horas de operación o una vez por año, lo que ocurra antes. Límpielo o reemplácelo más a menudo si el motor funciona bajo condiciones polvorientas o de suciedad. Su Centro Autorizado local de Servicio Sears cuenta con las piezas de repuesto.

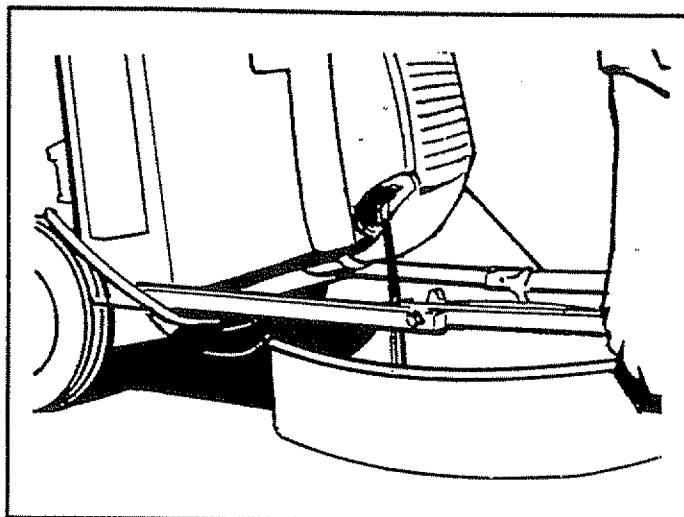
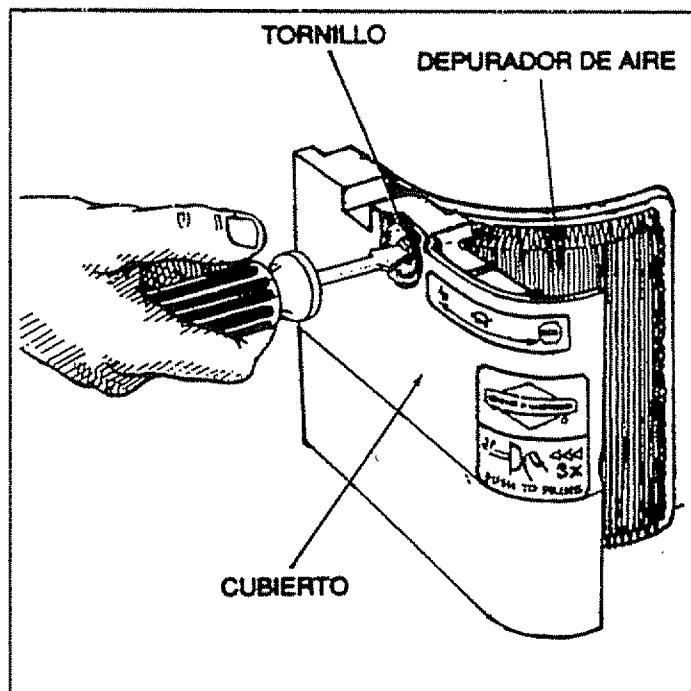


FIG. 20

Para limpiar o reemplazar el depurador de aire (Fig. 21), siga estos pasos:

- Quite el tornillo.
- Saque cuidadosamente el depurador de aire.



- Saque filtro de aire.
- Limpie el filtro de aire golpéandolo suavemente en una superficie sólida. Si el filtro está demasiado sucio, reemplácelo con uno nuevo. Bote el filtro viejo en forma apropiada.
- Coloque de nuevo la tapa y apriete la tornillo firmemente.

# RESPONSABILIDADES DEL CLIENTE

## REEMPLACE LA BUJIA

Cambie la bujía cada 100 horas de operación o una vez al año, lo que ocurra antes. Esto contribuirá a que el motor arranque más fácilmente y funcione mejor. Lea en las especificaciones de la lavadora a presión sobre el tipo de bujía que se necesita. El intersticio de la bujía (Fig. 22) es de 0.030 pulgadas (0.76 mm).

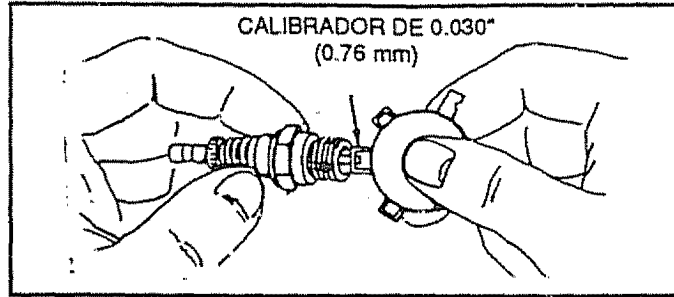


FIG. 22

## SERVICIO Y AJUSTES

### CARBURADOR

Si piensa que su carburador requiere ser ajustado, visite a su concesionario de Servicio Sears más cercano. El rendimiento del motor puede verse afectado en altitudes de más de 4,000 pies (1,219 m). Para mejorar el rendimiento de su motor, visite a su concesionario de Servicio Sears más cercano.

### VELOCIDAD DEL MOTOR



**ADVERTENCIA: NO ALTERE JAMAS EL REGULADOR DEL MOTOR, QUE HA SIDO FIJADO EN FABRICA PARA LA VELOCIDAD APROPIADA DEL MOTOR. PUEDE RESULTAR PELIGROSO ACELERAR EL MOTOR EN EXCESO DEL AJUSTE DE ALTA VELOCIDAD DE FABRICA.**

**IMPORTANTE: EL CAMBIO DE LA VELOCIDAD REGULADA DEL MOTOR INVALIDARA LA GARANTIA DEL MOTOR.**

### MANTENIMIENTO DE LA BOQUILLA

Si la boquilla está restringida u obstruida con materiales extraños, tal como suciedad, puede desarrollarse excesiva presión en la bomba. Al usar una boquilla parcialmente obstruida, se puede notar una sensación pulsante. Este no es un problema generalmente relacionado con la bomba, sino con una boquilla obstruida o parcialmente restringida.

Si la boquilla se obstruye o se restringe parcialmente, límpiela de inmediato con el juego incluido con su lavadora a presión, siguiendo estas instrucciones:

- Pare el motor y cierre el suministro de agua.
- Separe de la pistola el soporte de la boquilla ajustable.
- Saque la boquilla del extremo del soporte usando una llave Allen de 2 mm o 5/64" (como la que viene con el juego).
- Use el alambre incluido en el juego (Fig. 23) o un pequeño sujetapapeles para quitar los materiales extraños que obstruyen o restringen la boquilla.
- Quite el resto de la suciedad pasando agua a contracorriente a través del soporte (Fig. 24). Este lavado a contracorriente debe durar entre 30 y 60 segundos. Gire la vara a un rociado de chorro y mueva la boquilla de la posición baja a la alta mientras está lavando.
- Vuelva a colocar la boquilla en la vara. **NO DEBE** apretarla excesivamente.
- Vuelva a conectar la vara a la pistola.
- Conecte nuevamente y abra el suministro de agua, y arranque el motor.
- Pruebe la lavadora a presión operándola con la boquilla en las posiciones alta y baja.

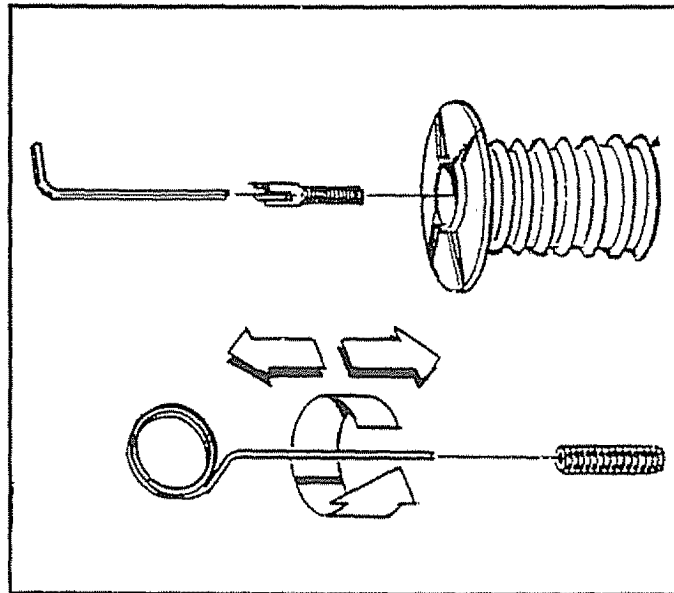


FIG. 23

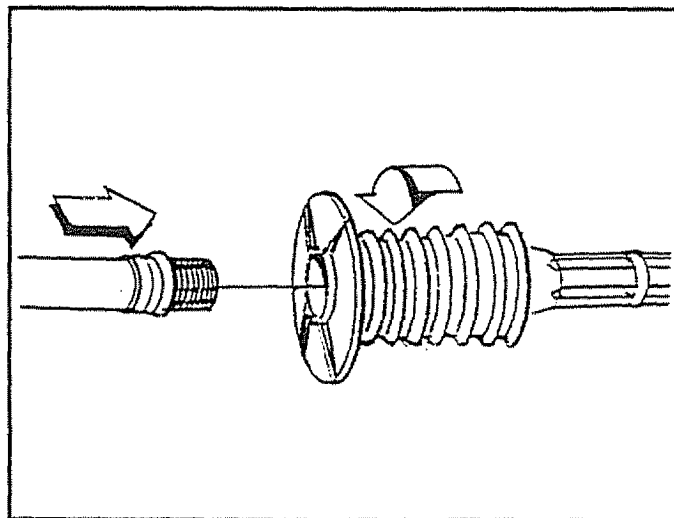


FIG. 24

# ALMACENAJE

## BOMBA DE LA LAVADORA A PRESION

No debe dejarse agua en la unidad durante períodos prolongados de tiempo. Podrían depositarse sedimentos de minerales en las partes de la bomba que "paralizarían" su funcionamiento. Si planea no utilizar la Lavadora a Presión por más de 30 días, siga este procedimiento:

- Lave la manguera del detergente colocando el filtro del inyector en un recipiente con agua limpia mientras hace funcionar la Lavadora a Presión con la boquilla en el modo de baja presión. Continúe el lavado hasta ver que el agua que fluye de la manguera es limpia.
- Pare el motor y deje que se enfríe. SAQUE LUEGO TODAS LAS MANGUERAS. Ponga la palanca del obturador en posición "STOP".



**CUIDADO: ANTES DE CONTINUAR, DEBE ASEGURARSE QUE LA PALANCA DEL OBTURADOR ESTA EN POSICION "STOP". SI ARRANCA EL MOTOR SIN TENER CONECTADO EL SUMINISTRO APROPIADO DE AGUA, LA BOMBA PODRIA DAÑARSE.**

- Evacúe de la bomba todo líquido bombeado tirando unas 6 veces de la manija de retroceso. Esto debería sacar de la bomba la mayor parte del líquido.

Recomendamos seguir los procedimientos de almacenaje de la bomba de la lavadora a presión luego de cada uso.

- Enrolle la manguera de alta presión y examine si está dañada. Los cortes o deshilachaduras en la manguera pueden resultar en fugas y pérdidas de presión. Si encuentra daños en la manguera, deberá reemplazarla. NO trate de reparar y usar una manguera dañada. Reemplácela con una genuina manguera Craftsman.
- Desagote el agua de la manguera y cuélguela debidamente del soporte de alambre que hay en el manubrio.

**NOTA:** Para proteger la unidad de las temperaturas de congelamiento, puede poner flúido limpiaparabrisas en la bomba vertiéndolo a través de una sección de 3 pies (91 cm) de manguera de jardín conectado al adaptador de entrada, y jalando dos veces la manija de retroceso.

- Almacene la unidad en un lugar limpio y seco.

## MOTOR



**ADVERTENCIA: NUNCA ALMACENE UN MOTOR CON COMBUSTIBLE EN UN LUGAR INTERIOR, O EN AREAS CERRADAS Y MAL VENTILADAS DONDE LOS VAPORES PODRIAN ALCANZAR UNA LLAMA AL DESCUBIERTO, UNA CHISPA, O UNA LUZ PILOTO COMO LA DE UN HORNO, CALENTADOR DE AGUA, SECADOR DE ROPAS, U OTRO ARTEFACTO A GAS.**

Es importante evitar durante el almacenaje que se formen depósitos gomosos en partes esenciales del sistema de combustible, tales como el carburador, el filtro de combustible, la manguera de combustible, o el tanque. Asimismo, se sabe por experiencia que los combustibles mezclados con alcohol (el llamado "gasohol", o los que usan etanol o metanol) pueden atraer humedad, lo que lleva a la separación y formación de ácidos durante el almacenaje. La gasolina acidificada puede dañar el sistema de combustible de un motor mientras está almacenado.

Para evitar problemas en el motor, el sistema de combustible debe vaciarse antes de un almacenaje de 30 días o más. Siga estas instrucciones:

**Desagote el Sistema de Combustible:** Saque toda la gasolina del carburador y del tanque de combustible para evitar que se formen depósitos gomosos en dichas partes, lo que podría provocar un mal funcionamiento del motor.



**ADVERTENCIA: DESAGOTE EL COMBUSTIBLE EN UN RECIPIENTE APROBADO, AL AIRE LIBRE, LEJOS DE LLAMAS AL DESCUBIERTO. ASEGURESE QUE EL MOTOR ESTE FRIJO. NO FUME.**

- Si es que puso "gasohol", haga funcionar el motor hasta que pare por falta de combustible. Asegúrese que el suministro de agua esté conectado a la entrada de la bomba, y esté ABIERTO.
- Un estabilizador de combustible (como el STA-BIL<sup>®</sup>) es una alternativa aceptable para minimizar los depósitos gomosos durante el almacenaje.

**Cambie el Aceite:** Mientras el motor está aún tibio, vacíe el aceite del cárter. Al volverlo a llenar, use el grado recomendado.

**Calibre del Cilindro de Aceite:** Quite la bujía y vierta aproximadamente 1/2 onza (15 ml) de aceite de motor en el cilindro. Cubra con un trapo el agujero de la bujía. Cranquee lentamente para distribuir el aceite.



**¡CUIDADO! EVITE EL ROCIADO QUE SALE DEL AGUJERO DE LA BUJIA MIENTRAS CRANQUEA LENTAMENTE EL MOTOR.**

- Instale la bujía. No conecte el alambre de la bujía.

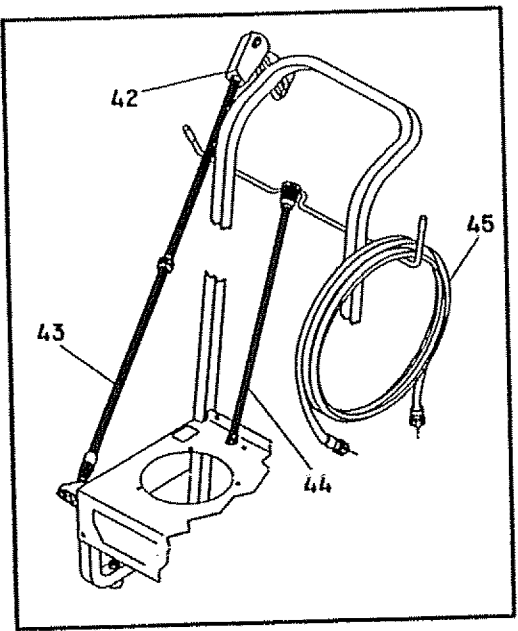
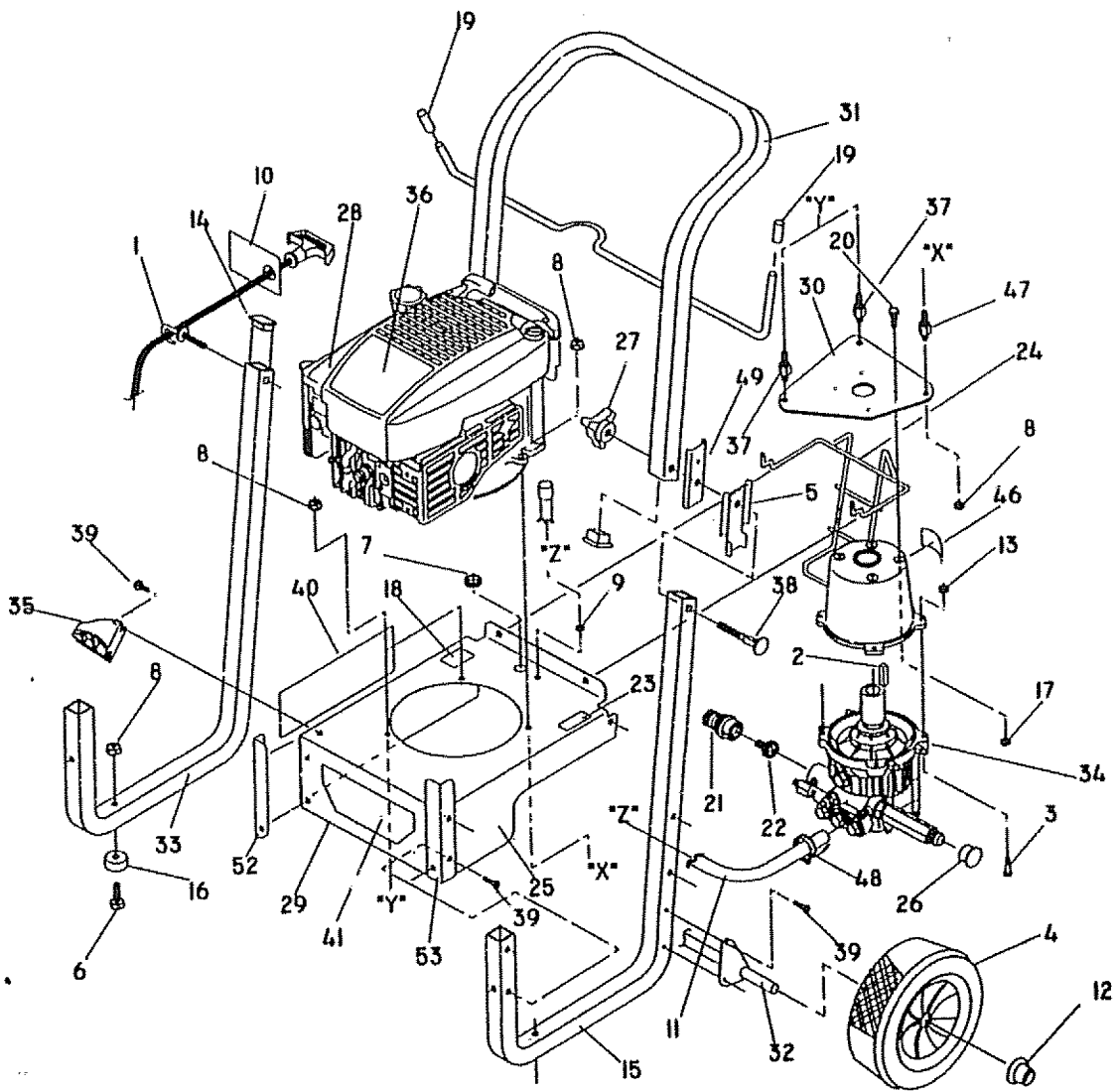
## OTRAS SUGERENCIAS

- No almacene gasolina de una estación a otra.
- Reemplace su lata de gasolina si es que está empezando a herrumbrarse. El herrumbre y/o la suciedad en la gasolina ocasionarán problemas.
- Si es posible, almacene su unidad en un lugar interior, cubriéndola para protegerla del polvo y la suciedad.
- Cubra su unidad con una cubierta protectora adecuada que no retenga la humedad. No use una cubierta plástica. El plástico no "respira", por lo que se forma condensación que puede a su vez herrumbrar la unidad.

**IMPORTANTE: NO DEBE JAMAS CUBRIR SU LAVADORA A PRESION MIENTRAS LAS AREAS DEL ESCAPE Y DEL MOTOR ESTAN TIBIAS.**

# DIAGNOSTICO Y CORRECCION DE AVERIAS

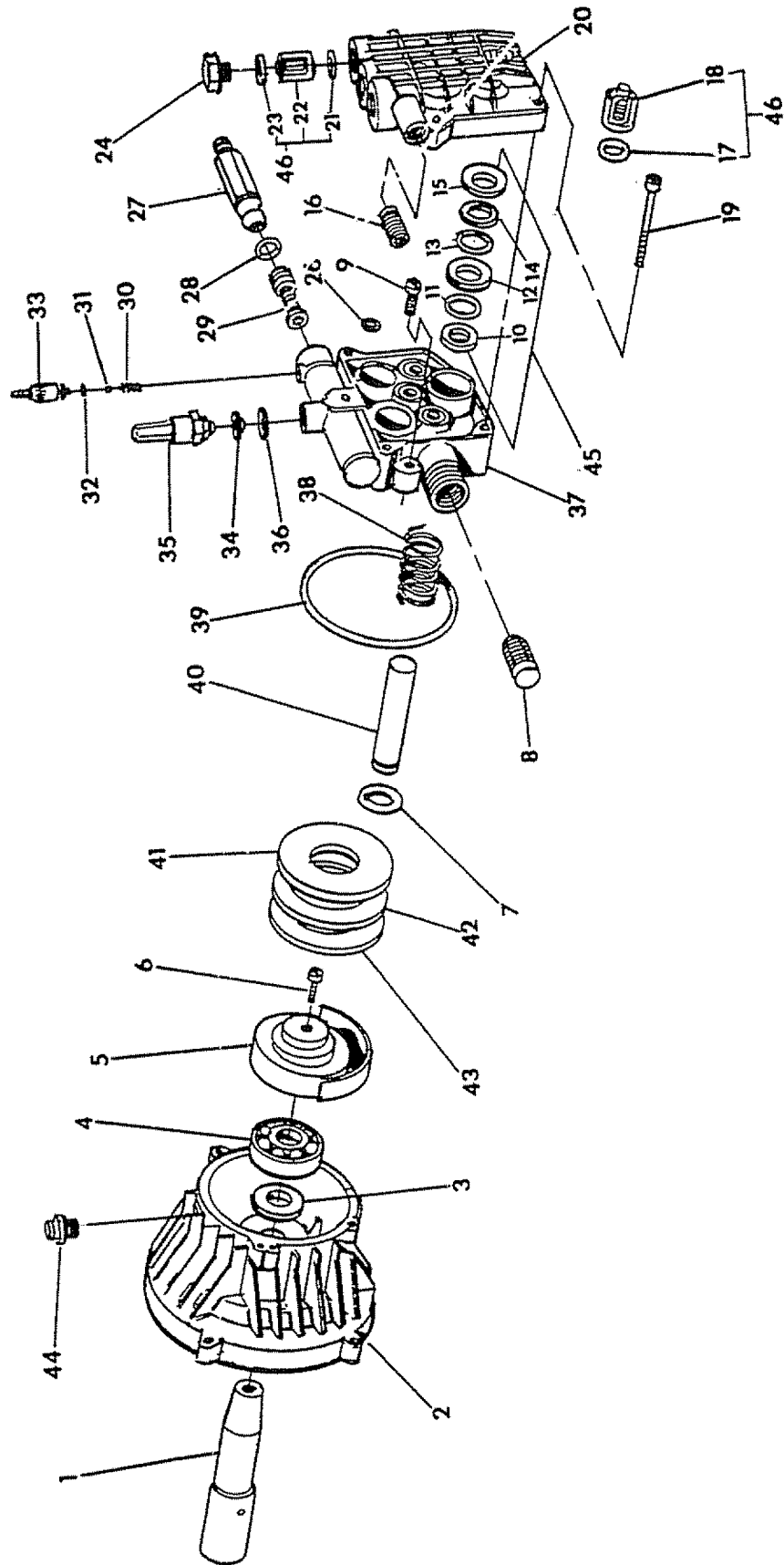
PROBLEMA	CAUSA	CORRECCION
La bomba tiene los siguientes problemas: no produce presión, presión errática, traqueteo, pérdida de presión, bajo volumen de agua.	<ol style="list-style-type: none"> <li>1. La boquilla está en el modo de baja presión.</li> <li>2. Baja presión del regulador.</li> <li>3. La entrada de agua está bloqueada.</li> <li>4. Suministro inadecuado de agua.</li> <li>5. La manguera de entrada está retorcida o tiene fugas.</li> <li>6. El filtro de la manguera de entrada está obstruido.</li> <li>7. La línea del detergente no está sumergida.</li> <li>8. El suministro de agua está a más de 140° F (60° C).</li> <li>9. La manguera de salida está bloqueada o tiene fugas.</li> <li>10. La pistola tiene fugas.</li> <li>11. La boquilla está obstruida.</li> <li>12. La bomba es defectuosa.</li> </ol>	<ol style="list-style-type: none"> <li>1. Tire la boquilla hacia atrás para ponerla en el modo de alta presión.</li> <li>2. Ajuste el regulador al punto deseado.</li> <li>3. Despeje el bloqueo de la entrada.</li> <li>4. Suministre un flujo adecuado de agua.</li> <li>5. Enderece la manguera de entrada, ponga un parche en la fuga.</li> <li>6. Chequee y limpie el filtro de entrada de la manguera.</li> <li>7. Sumerja la línea del detergente.</li> <li>8. Provea un suministro de agua de menor temperatura.</li> <li>9. Despeje los bloqueos en la manguera de entrada.</li> <li>10. Reemplace la pistola.</li> <li>11. Despeje la obstrucción de la boquilla.</li> <li>12. Contacte el Departamento de Servicio de Sears.</li> </ol>
El detergente no se mezcla con el rociado.	<ol style="list-style-type: none"> <li>1. La manguera de detergente no está sumergida.</li> <li>2. El filtro de sustancias químicas está obstruido.</li> <li>3. La boquilla está en el modo de alta presión.</li> <li>4. El ajustador de sustancias químicas está cerrado.</li> </ol>	<ol style="list-style-type: none"> <li>1. Inserte la línea de sustancias químicas en el detergente.</li> <li>2. Limpie o reemplace la línea del filtro/detergente.</li> <li>3. Empuje la boquilla hacia adelante, al modo de baja presión.</li> <li>4. Abra el ajustador de sustancias químicas.</li> </ol>
El motor funciona bien en vacío, pero se "atasca" al poner carga.	La velocidad del motor es demasiado baja.	Contacte el Departamento de Servicio de Sears.
El motor no arranca; o arranca y funciona en forma abrupta.	<ol style="list-style-type: none"> <li>1. Bajo nivel del aceite.</li> <li>2. El depurador de aire está sucio.</li> <li>3. No hay gasolina.</li> <li>4. Gasolina vieja.</li> <li>5. El alambre de la bujía no está conectado a la bujía.</li> <li>6. Bujía en malas condiciones.</li> <li>7. Agua en la gasolina.</li> <li>8. Sobreestrangulación.</li> <li>9. Mezcla excesivamente rica de gasolina.</li> <li>10. La válvula de admisión está pegada en posición abierta o cerrada.</li> <li>11. El motor ha perdido compresión.</li> </ol>	<ol style="list-style-type: none"> <li>1. Llene el cárter al nivel apropiado.</li> <li>2. Limpiar o reemplazar el depurador de aire.</li> <li>3. Llene el tanque de combustible.</li> <li>4. Vacíe el tanque de combustible; llénelo con combustible fresco.</li> <li>5. Conecte el alambre a la bujía.</li> <li>6. Reemplace la bujía.</li> <li>7. Vacíe el tanque de combustible; llénelo con combustible fresco.</li> <li>8. Abra totalmente el estrangulador y cranquee el motor.</li> <li>9. Contacte el Departamento de Servicio de Sears.</li> <li>10. Contacte el Departamento de Servicio de Sears.</li> <li>11. Contacte el Departamento de Servicio de Sears.</li> </ol>
El motor se para durante su funcionamiento.	<ol style="list-style-type: none"> <li>1. Sin gasolina.</li> <li>2. Bajo nivel del aceite.</li> </ol>	<ol style="list-style-type: none"> <li>1. Llene el tanque de gasolina.</li> <li>2. Llene el cárter al nivel apropiado.</li> </ol>
Falta de potencia en el motor.	El filtro de aire está sucio.	Reemplace el filtro de aire.



GUN, WAND, AND HOSE STORAGE LOCATION



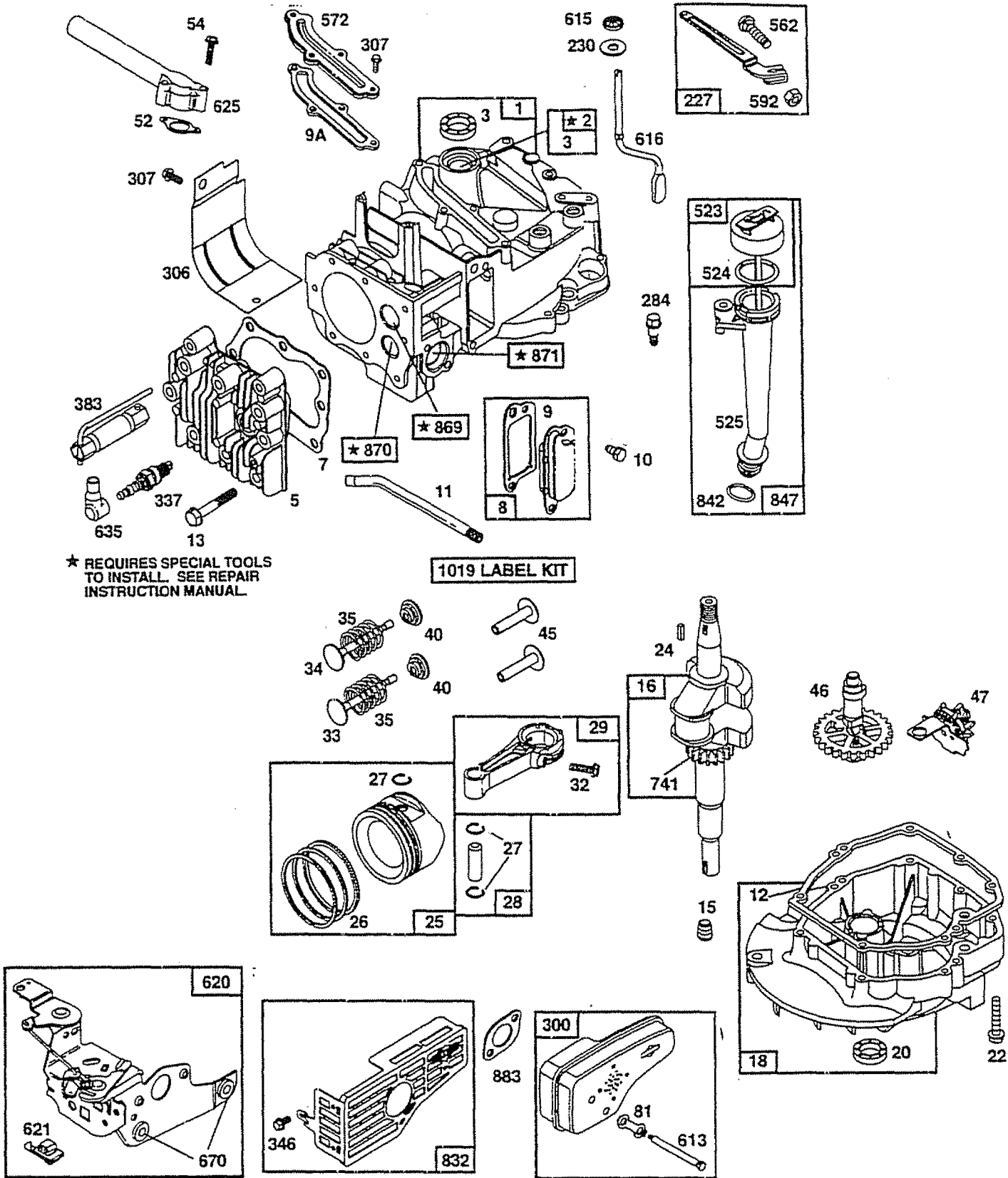
***PARA LISTE DE PARTES  
VEA LA PAGINA 21  
VERSION EN INGLES***



***PARA LISTA DE PARTES  
VEA LA PAGINA 23  
VERSION EN INGLES***

**MOTOR BRIGGS & STRATTON DE 4-CICLIOS 12E802-1115-01**  
**MAQUINA LAVADORA DE ALTA PRESION DE 1500 PSI 590.741300**

**REPUESTOS**



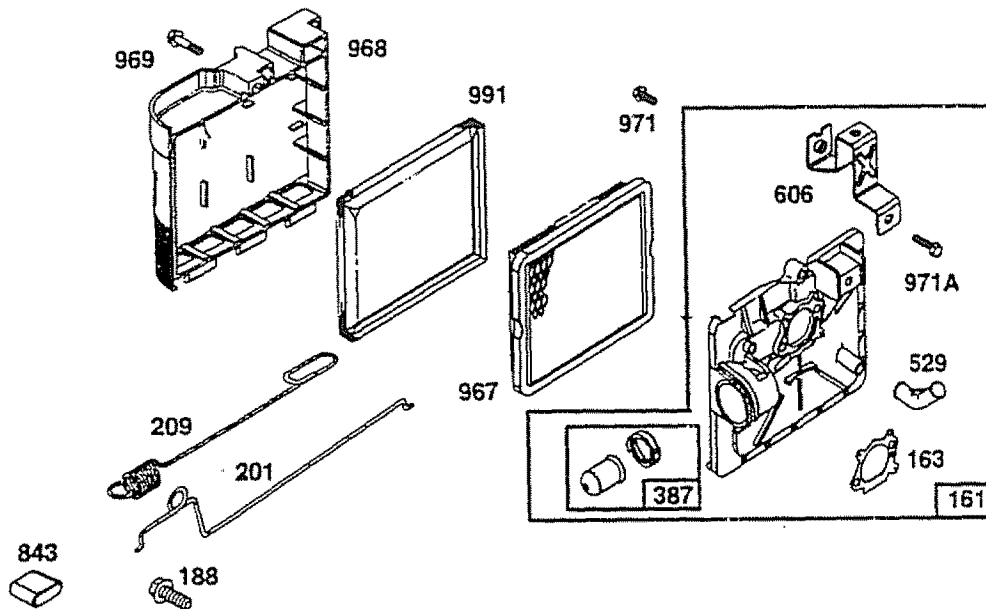
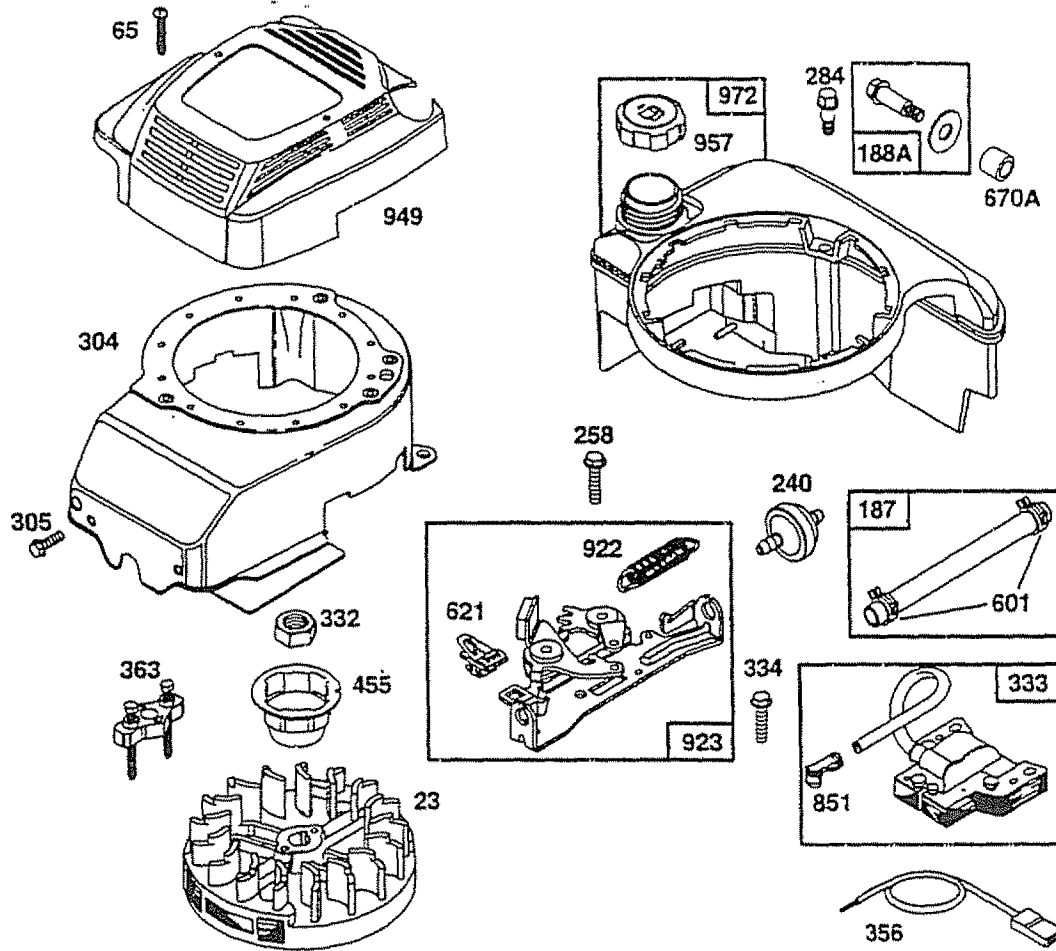
★ REQUIRES SPECIAL TOOLS TO INSTALL. SEE REPAIR INSTRUCTION MANUAL.

1019 LABEL KIT



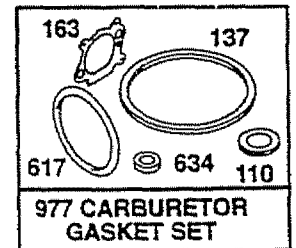
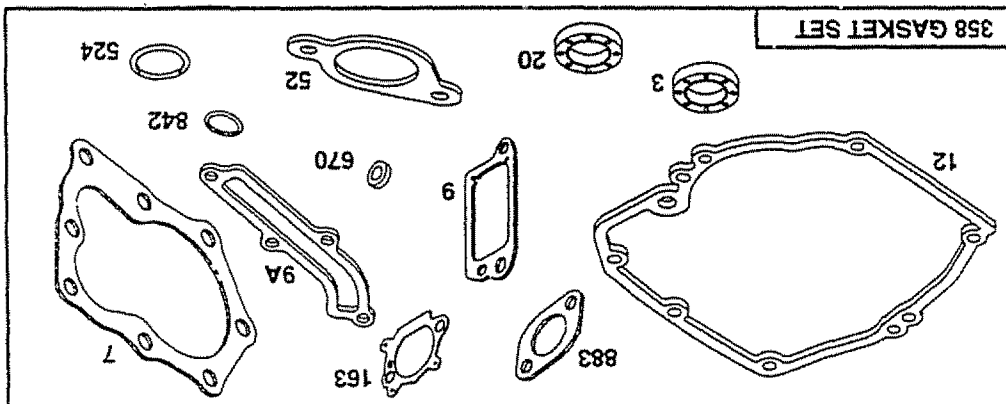
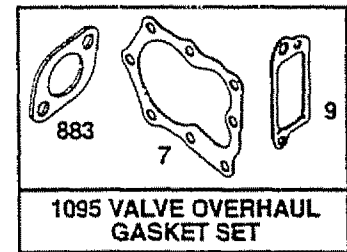
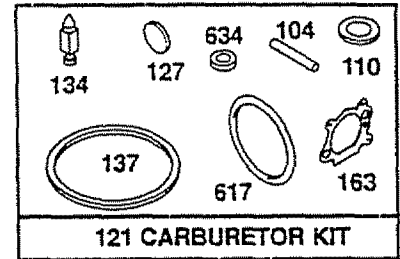
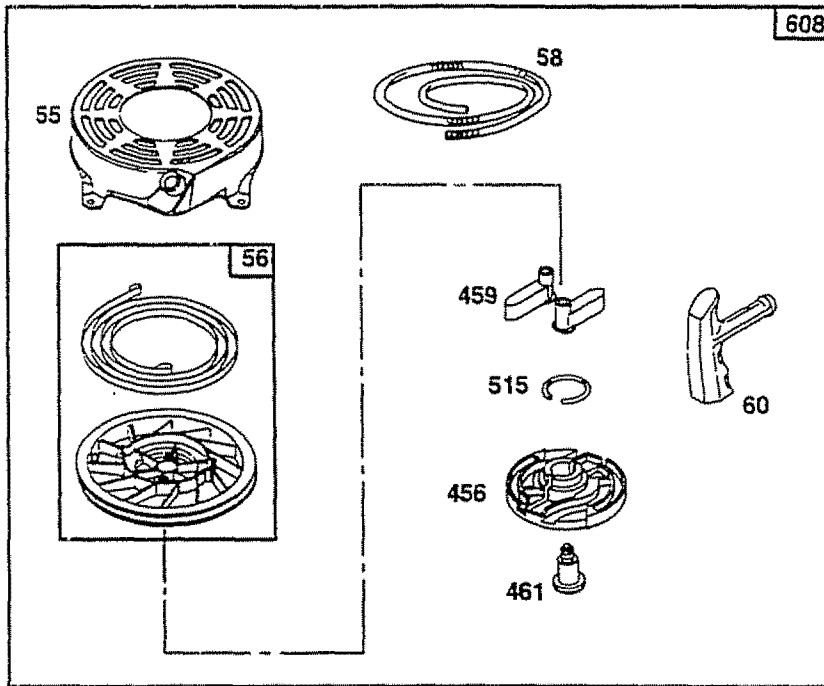
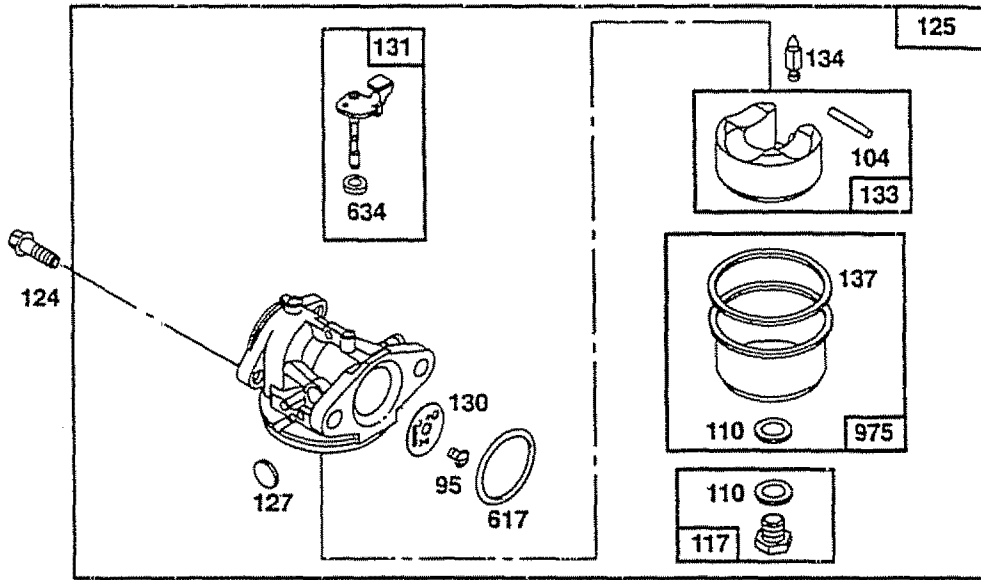
**MOTOR BRIGGS & STRATTON DE 4-CICLIOS. 12E802-1115-01**  
**MAQUINA LAVADORA DE ALTA PRESION DE 1500 PSI 580.741380**

**REPUESTOS**



MOTOR BRIGGS & STRATTON DE 4-CICLIOS 12E902-1115-01  
 MAQUINA LAVADORA DE ALTA PRESION DE 1500 PSI 580.741380

REPUESTOS



**PARA LISTE DE PARTES  
VEA LA PAGINA 25  
VERSION EN INGLES**

# SEARS

## MANUAL DEL PROPIETARIO

**MODEL NO.**

**580.741380**

### SI NECESITA REPARACIONES O PARTES

PARA SERVICIO DE  
REPARACION LLAME A  
ESTE NUMERO DE LLAMADA  
GRATUITA  
**1-800-4-REPAIR**

(1-800-473-7247)

PARA INFORMACION ACERCA  
DE PARTES DE RECAMBIO Y  
ORDENES, LLAME A SETE NU-  
MERO DE LLAMADA GRATUITA:  
**1-800-FON-PART**

(1-800-366-7278)

# CRAFTSMAN®

## MAQUINA LAVADORA DE ALTA PRESION A 1500 PSI ET 2 GPM DE 3.8 CABALLOS

Cada Maquina Lavadora de Alta Presión tiene su propio número de modelo.

El número de modelo de su maquina lavadora de presión será encontrado en la calcomanía adherida a la unidad.

Todas las partes enlistadas aquí adelante pueden ser ordenadas a través de los Centros de Servicio de Sears, Roebuck and Co. y la mayoría de las Almacenes de Venta al Detal.

### SIEMPRE PROPORCIONE LA SIGUIENTE INFORMACION CUANDO ESTE ORDENANDO PARTES DE REEMPLAZO:

- PRODUCTO — MAQUINA LAVADORA DE ALTA PRESION
- NUMERO DE MODELO — 580.741380
- NUMERO DE LA PARTE
- DESCRIPCION DE LA PARTE

A su mercancía de Sears se le ha añadid valor debido a que Sears tiene unidades de servicio en toda la nación equipades con técnicos entrenados por Sears...técnicos profesionales entranados específicamente en los productos de Sears, poseyendo las partes, la herramientas y los equipos necesarios para asegurale que vamos a satisfacer nuestro comproσιο con usted, le damos servicio a lo que vendemos.

**SEARS, ROEBUCK and CO., Hoffman Estates, IL 60179 U.S.A.**