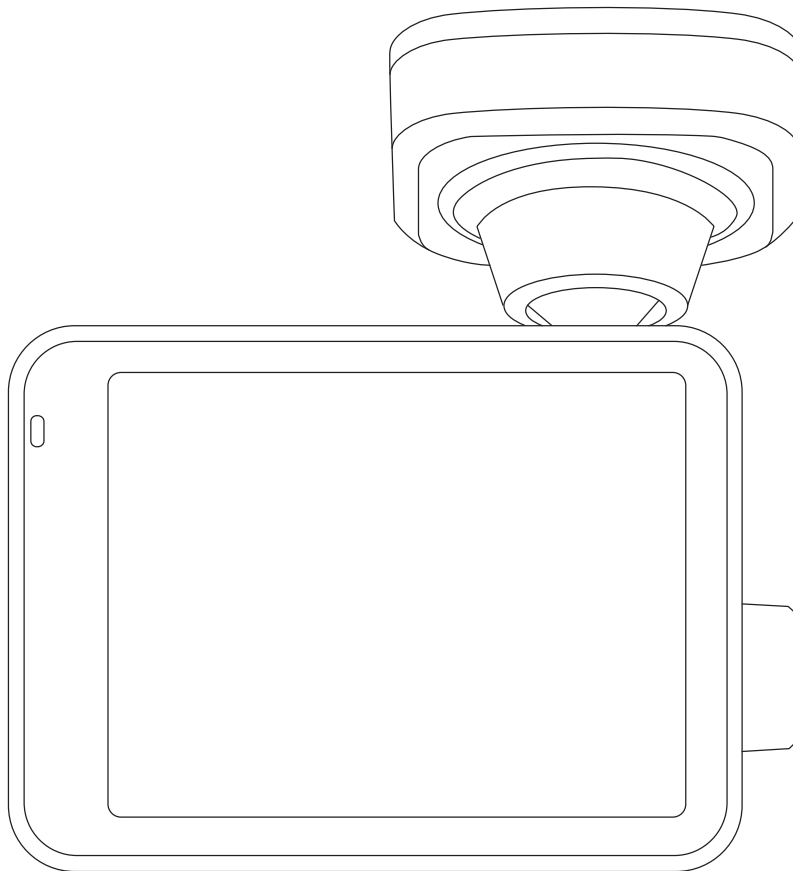


Fanttik

FANTTIK LUMA K10 AP



DUAL-CHANNEL DASHCAM

User Manual

Please read this instruction manual carefully before use
and keep it for future reference.

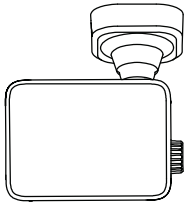
Table of Contents

1. Product Parts & Interface -----	01~05
• 1.1 LED Indicator Guide	
• 1.2 Buttons & Touchscreen Controls	
• 1.3 Screen Icons & Status	
• 1.4 Specs	
• 1.5 FCC WARNING	
2. Installation Guide -----	06~11
• 2.1 MicroSD Card Instructions	
• 2.2 Formatting the MicroSD Card	
• 2.3 Installing the Front Camera	
• 2.4 Installing the Rear Camera	
• 2.5 Installation & Usage Precautions (Disclaimer)	
3. How to Use -----	11~14
• 3.1 Initial Setup & App Download	
• 3.2 Menu Settings & Safety Tips	
• 3.3 Powering On/Off	
• 3.4 Recording Modes Explained	
Loop Recording (Daily Mode)	
Emergency Recording (Locked Mode)	
Parking Monitoring (Requires Hardwire Kit)	
• 3.5 Quick Controls (Snapshot / Mic / Switch Views)	
• 3.6 System Settings (Video / Display / Time)	
4. Managing Your Videos -----	14~08
• 4.1 Playback on Dash Cam	
• 4.2 Playback via App	
• 4.3 File Storage Guide (For PC Access)	
5. Using the Mobile App -----	01~08
• 5.1 Connecting to the Fanttik App	
• 5.2 App Interface Overview	

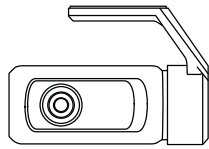
Table of Contents

6. Firmware Update	-----	01~08
7. Warranty & CustomerSupport	-----	01~08

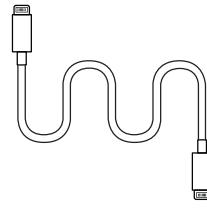
What's in the Box



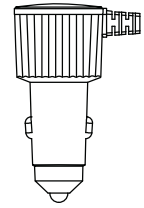
Dash Cam
x1



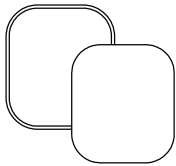
Rear Camera
x1



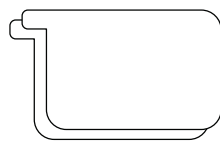
Rear Camera
Cable x1



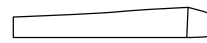
Car Charger
x1



3M Adhesive
Mounts x1

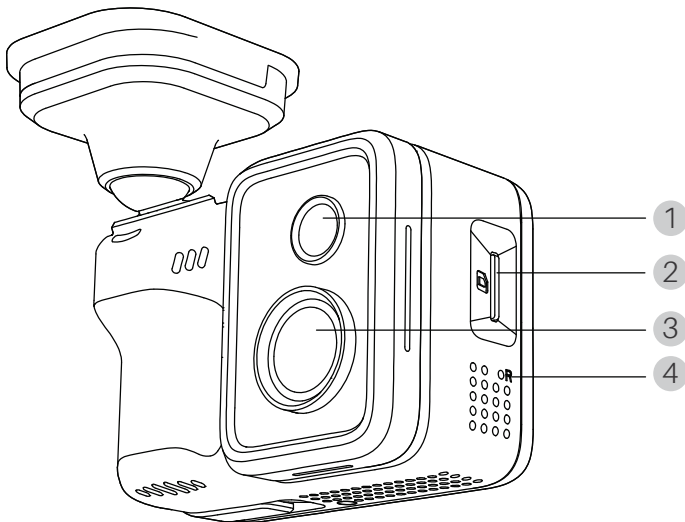


Electrostatic
Stickers x2

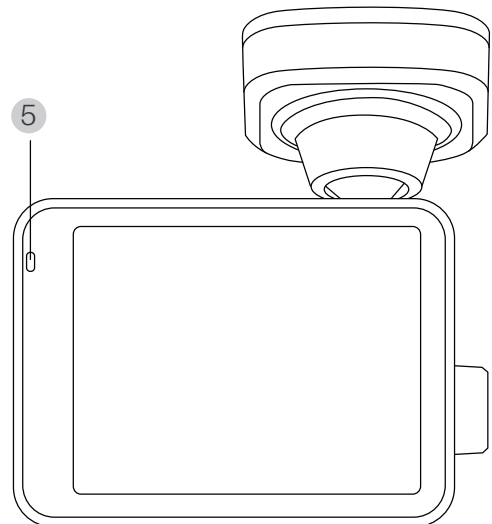


Cable Routing
Tool x1

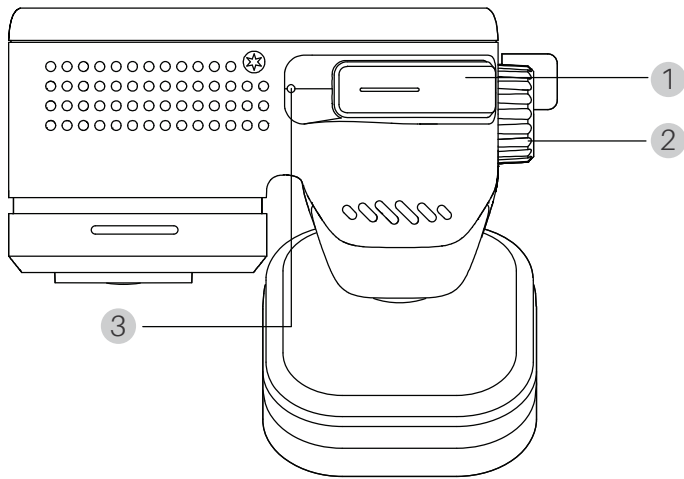
1. Overview



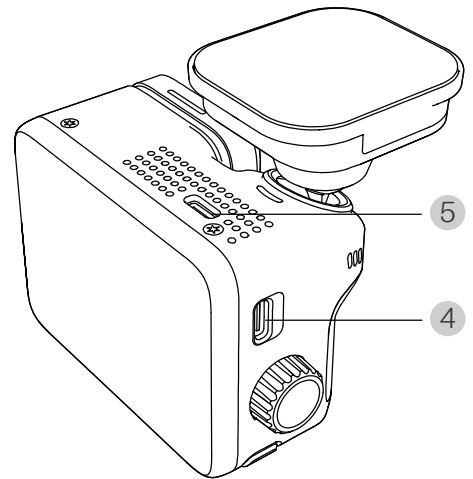
- 1 Speaker
- 2 MicroSD Card Slot
- 3 Front Lens
- 4 Reset Button



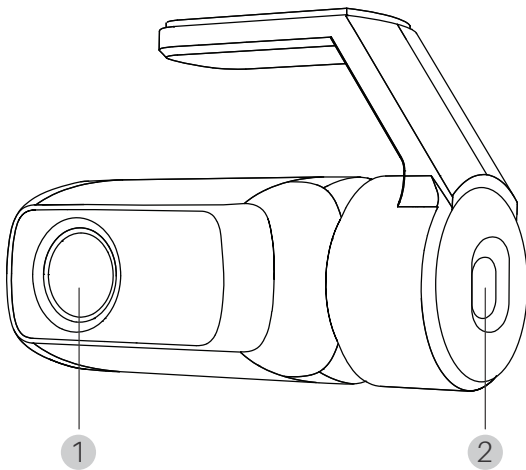
- 5 Status LED



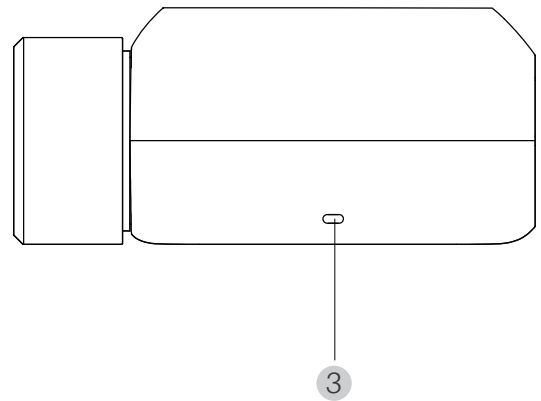
- ① Back / Screen-off Button
- ② Menu / Select Dial
- ③ Microphone



- ④ Power / Data Port
- ⑤ Rear Camera Port



- ① Rear Lens
- ② Connection Port



- ③ Rear Status LED



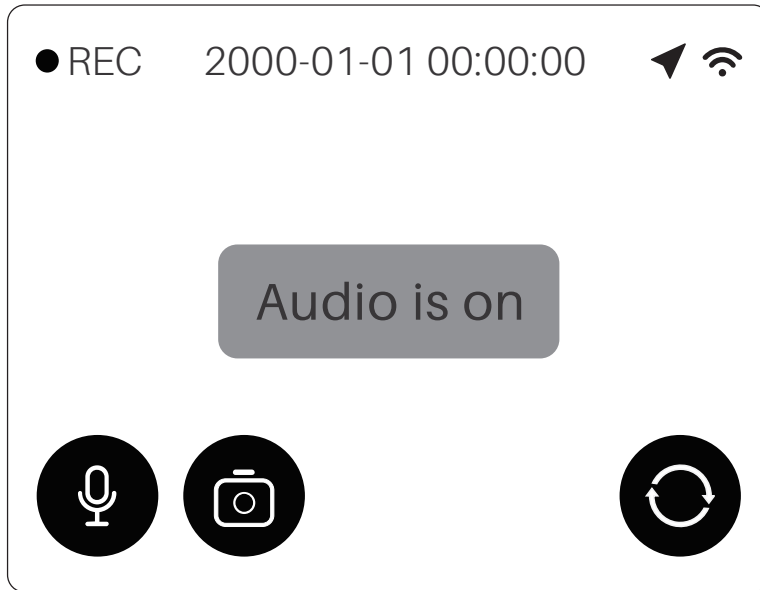
1.1 LED Indicator Guide

Device Component	Device Status	Indicator Light Behavior	Screen Display
Dash Cam (Main Unit)	Power On / System Boot	Solid Green LED	The "REC" icon turns red.
	Recording	Pulsing Green LED	-
	Parking Mode	Pulsing Red LED	-
	Emergency Recording	Fast Flashing Red LED	-
	App Connected	Solid Blue LED	-
	Firmware Update	Solid Purple LED	-
Rear Camera	Normal Operation	Solid Red LED	-

1.2 Buttons & Touchscreen Controls

Operation Method	Applicable Screen	Interaction Action	Function Performance
Control Dial	On the Live View Screen	Press	Enter the Settings Menu
		Rotate	Digital Zoom in / out
	In the Menu	Press	Confirm / Select
		Rotate	Scroll up / down through options
Back Button	On the Live View Screen	Press	Hide screen icons (Clean View)
		Press and Hold	Turn off the screen
	In the Menu	Press	Go back to the previous page
		Press and Hold	Turn off the screen
Touchscreen	On the Live View Screen	Swipe Down	Enter the Settings Menu
		Tap	Hide / Show screen icons
	In the Menu	Tap	Select / Enter settings

1.3 Screen Icons & Status



Icon Name	Screen Display	Status Description
Recording Status	● REC	Recording
Standby	●	Not Recording
Date / Time	2000-01-01 00:00:00	-
GPS Status	▲ Flashing	Searching for GPS signal
	▲ Solid	Solid Blue LED
Wi-Fi Status	📶 Icon On	Wi-Fi is enabled

1.4 Specs

Product name	Dash camera
Model	Luma K10 Apex
Input	5V = 2A
Dimensions	75x62.2x81 mm
Weight	208g
Touchscreen	2.8 inches
Supported SD Cards	Micro SD(up to 512GB)
Operating temperature	-20° to 70 °C (-4° to 158 °F)
FCC ID:2BMPX-K10	

1.5 FCC WARNING

This device complies with part 15 of the FCC Rules. Operation is subject to the following two conditions: (1) This device may not cause harmful interference, and (2) this device must accept any interference received, including interference that may cause undesired operation.

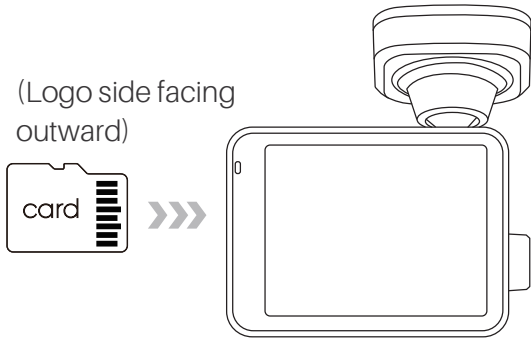
Any Changes or modifications not expressly approved by the party responsible for compliance could void the user's authority to operate the equipment.

Note: This equipment has been tested and found to comply with the limits for a Class B digital device, pursuant to part 15 of the FCC Rules. These limits are designed to provide reasonable protection against harmful interference in a residential installation. This equipment generates uses and can radiate radio frequency energy and, if not installed and used in accordance with the instructions, may cause harmful interference to radio communications. However, there is no guarantee that interference will not occur in a particular installation. If this equipment does cause harmful interference to radio or television reception, which can be determined by turning the equipment off and on, the user is encouraged to try to correct the interference by one or more of the following measures:

- Reorient or relocate the receiving antenna.
- Increase the separation between the equipment and receiver.
Reorient or relocate the receiving antenna.Increase the separation between the equipment and receiver.
- Consult the dealer or an experienced radio/TV technician for help.

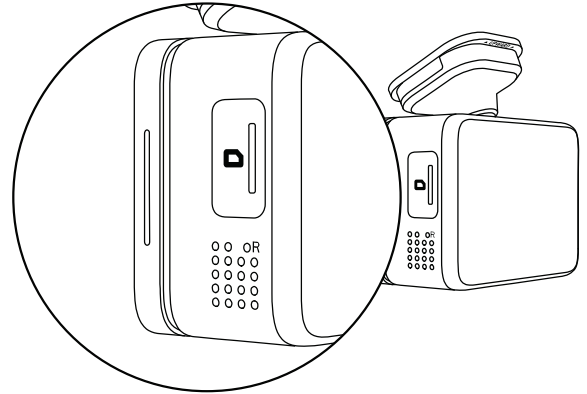
This equipment complies with FCC radiation exposure limits set forth for an uncontrolled environment. This equipment should be installed and operated with minimum distance 20cm between the radiator & your body.

2. Installation Guide



Inserting / the Micro SD Card

Ensure the dash cam is turned off. With the logo side facing outward, gently push the MicroSD card into the slot until you hear a "click," indicating it is securely locked in place.



Removing the MicroSD Card

Ensure the dash cam is turned off. Gently press the edge of the MicroSD card inward. It will pop out, allowing you to remove it easily.

⚠ Important MicroSD Card Guidelines

Requirements: A MicroSD card is not included and **must** be purchased separately. You must use a **High Endurance** MicroSD card. The dash cam supports capacities up to 512GB.

Recommended Brand: We highly recommend purchasing a Fanttik industrial-grade High Endurance MicroSD card. It is specifically designed for continuous read/write cycles, ensuring superior stability and durability.

Routine Formatting: To maintain optimal read/write performance, we recommend formatting your MicroSD card regularly.

Data Backup: Formatting will permanently delete all data on the card. Always back up your important videos before formatting.

2.2 Formatting the MicroSD Card

First-Time Use:

The MicroSD card must be formatted before its first use (FAT32 or exFAT formats are recommended). When you insert a new card and turn on the device, a "Format" prompt may appear on the screen. Simply tap confirm to proceed.

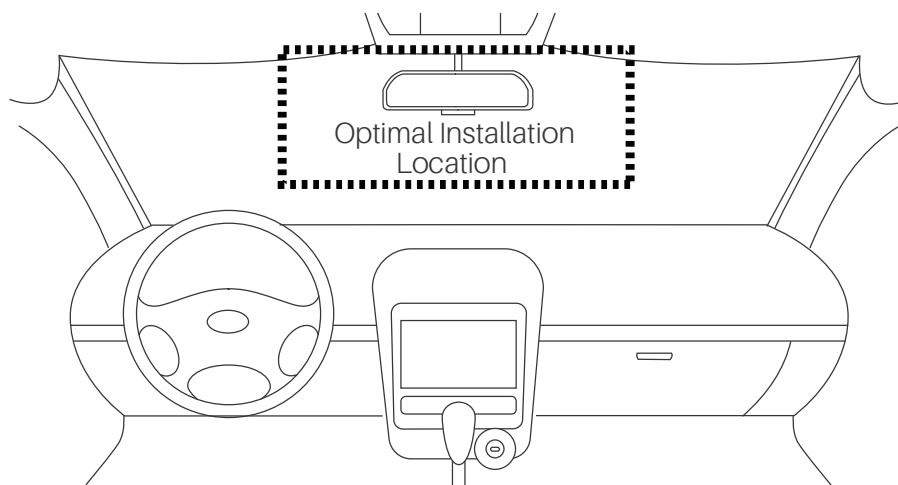
Formatting Manually :

On the Dash Cam: Go to Menu > General > Format SD Card, and follow the on-screen prompts.

Via the App: Turn on Wi-Fi in the dash cam menu and connect your phone to the Fanttik App. Go to the App's Settings menu and select Format SD Card.

2.3 Installing the Front Camera

Step 1 | Choose a Location

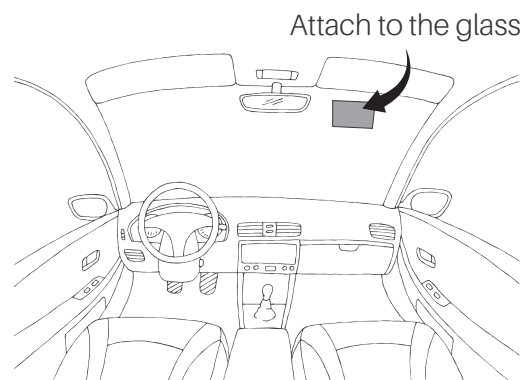
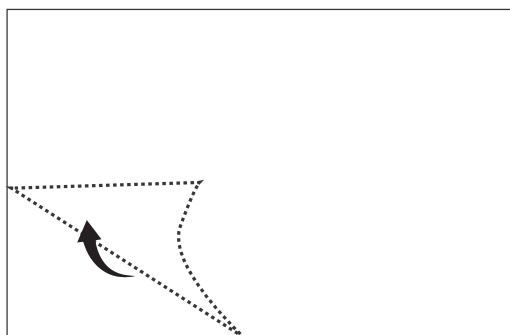


Select an appropriate spot on the windshield, ideally right behind the rearview mirror. Ensure the dash cam does not obstruct the driver's field of view.

Step 2 | Clean the Surface

Thoroughly clean the chosen area on the windshield with a dry cloth. Ensure the surface is completely free of oil, moisture, dirt, and fingerprints.

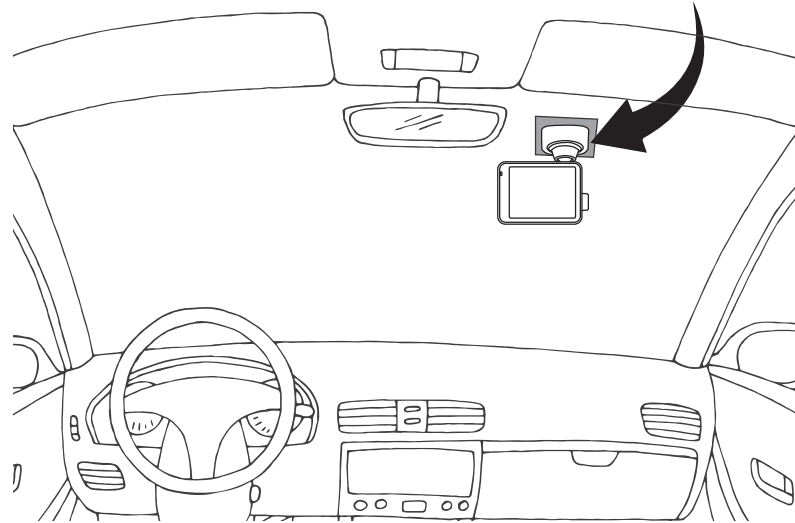
Step 3 | Apply the Electrostatic Sticker



Peel the protective film off the included electrostatic sticker. Apply it smoothly to the cleaned area and press firmly to push out any air bubbles.

Step 4 | Mount the Dash Cam

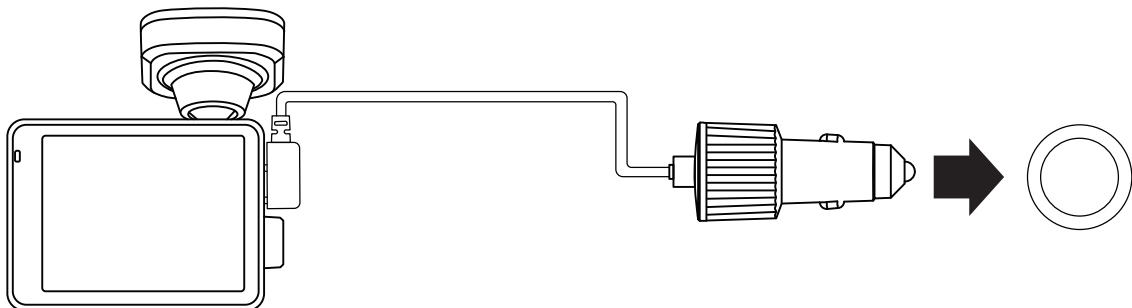
Attach the device to the electrostatic sticker.



Remove the protective film from the 3M adhesive on the dash cam mount. Align the mount with the center of the electrostatic sticker, attach it, and press firmly for several seconds to ensure a secure hold.

Step 5 | Connect to Power

Plug the Type-C end of the power cable into the dash cam's power port. Then, plug the car charger into your vehicle's 12V/24V power outlet (cigarette lighter socket).



Step 6 | Adjust the Viewing Angle

Once the vehicle is powered on and the dash cam boots up, check the live view on the screen. Rotate the lens up or down to adjust the angle.

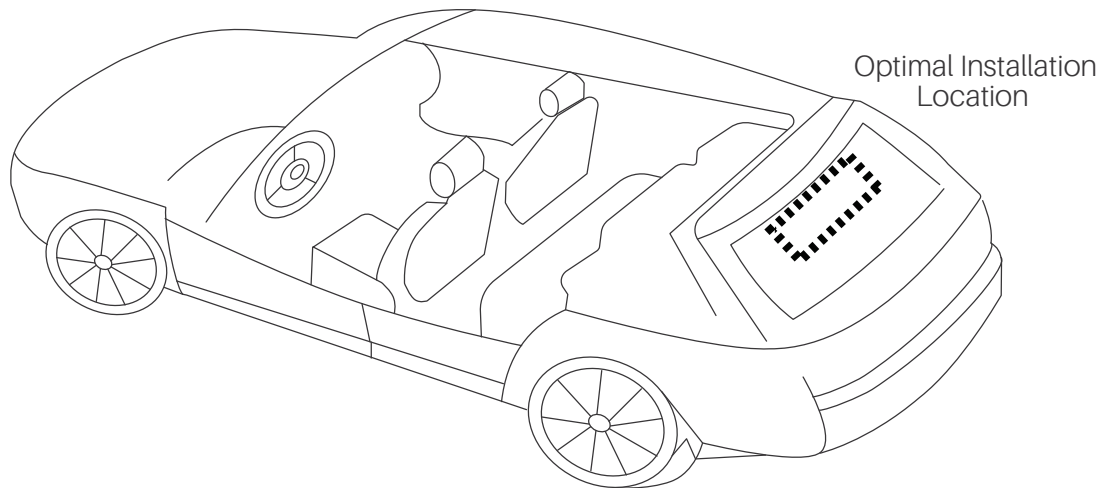


💡 Pro Tip for Alignment

Go to **Menu > enable Installation Guide Lines**, then return to the live view screen. Adjust the lens until the on-screen guide lines align perfectly with the horizon ahead to achieve the optimal viewing angle.

2.4 Installing the Rear Camera

Step 1 | Choose a Location

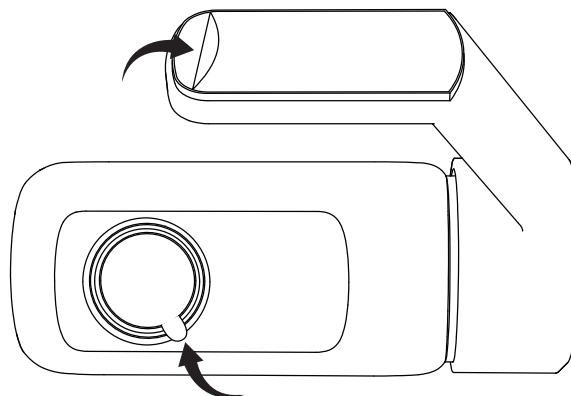


Select an appropriate location on the inside of the rear windshield. Avoid mounting it directly over the defroster grid lines to ensure a clear, unobstructed view of the rear.

Step 2 | Clean the Surface

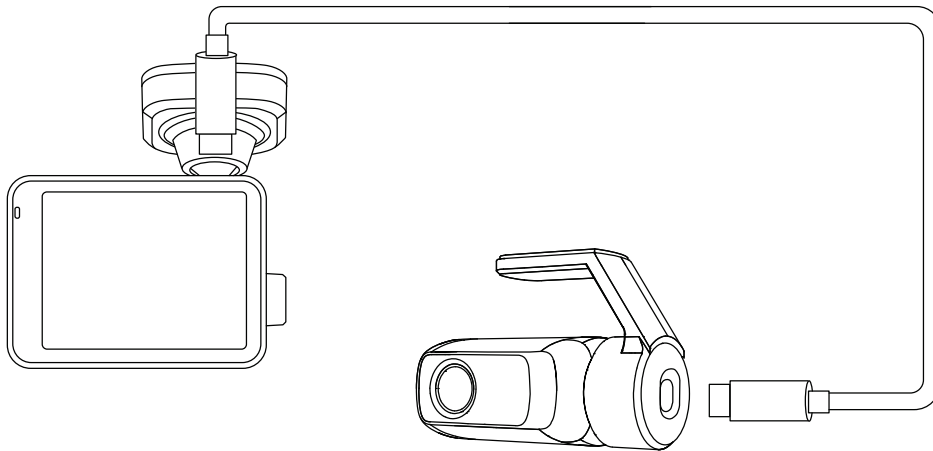
Wipe the selected area thoroughly with a clean, dry cloth. Ensure the surface is free of oil, moisture, dirt, and fingerprints.

Step 3 | Mount the Camera



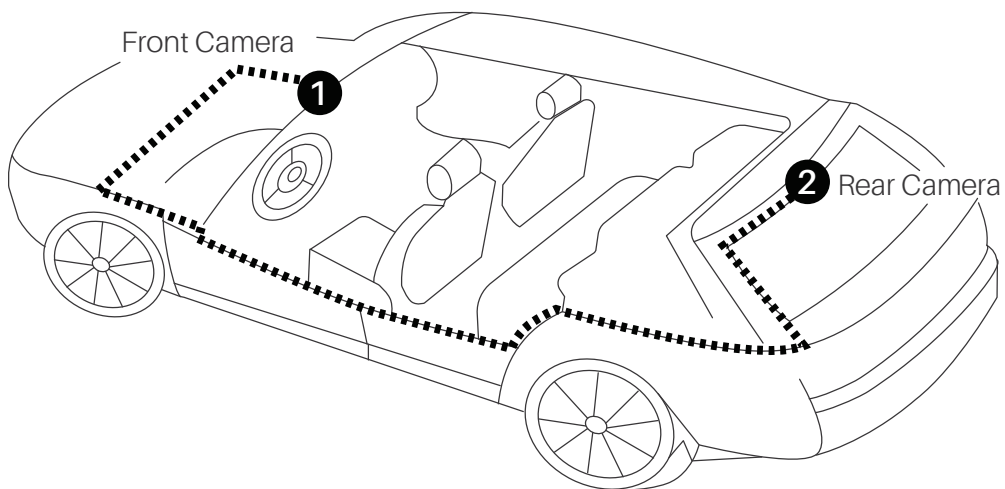
Peel the protective film from the 3M adhesive pad on the rear camera mount. Attach it precisely to the chosen location and press firmly for several seconds to secure it.

Step 4 | Connect to the Main Unit



Ensure the dash cam is turned off before proceeding. Use the provided rear camera cable to connect the rear camera to the main dash cam unit.

Step 5 | Route the Cable



Follow the routing diagram provided. Tuck and hide the long cable under the roof headliner and along the rubber door seals until it reaches the front windshield.

2.4 Installation & Usage Precautions

⚠ Important MicroSD Card Guidelines

Optimal View: We recommend mounting the main dash cam near the rearview mirror. For clear recordings in rain or snow, try to position the lens within the area swept by the windshield wipers.

Do Not Obstruct: Never install the device where it blocks the driver's line of sight or interferes with safe driving.

Prevent Interference: If your windshield has heavy tinting or a sun visor, ensure it does not block the camera lens. To maintain optimal performance, avoid placing other strong electronic devices nearby to prevent signal interference.

🚫 Core Safety Warning & Disclaimer

WARNING - Airbag Safety: Ensure the main dash cam, rear camera, and all cables are NEVER installed on, near, or within the deployment zone of any airbags. The manufacturer assumes no liability for any injuries or damages resulting from improper installation that obstructs airbag deployment or causes secondary injuries.

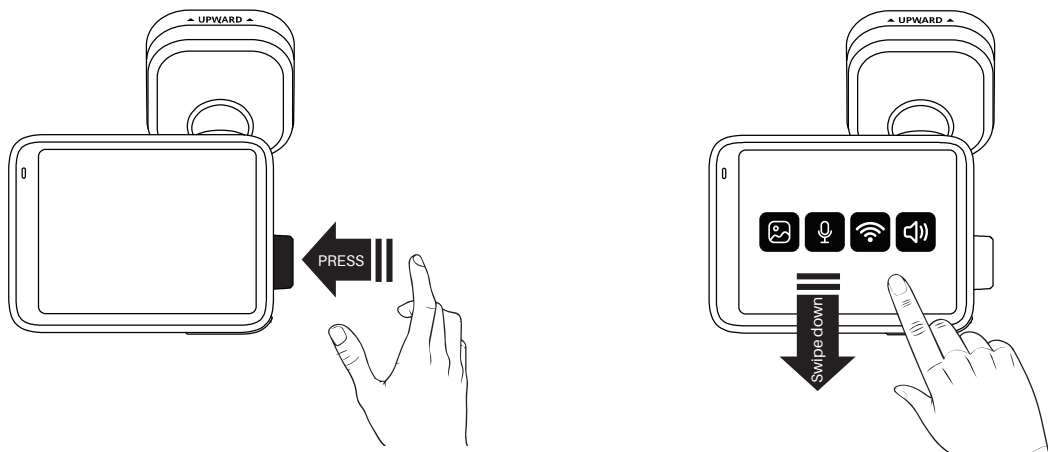
3. How to Use

3.1 Initial Setup

When turning on the dash cam for the first time, please follow the on-screen prompts to set the date and time. We highly recommend scanning the QR code on the screen with your smartphone to download the companion App for a smoother initial setup experience.

3.2 Menu Settings & Safety Tips

How to Access: On the Live View screen, [Swipe Down] on the touchscreen or [Press the Control Dial] to enter the Settings Menu.



⚠️ Important Safety Notes

Settings Pause Recording: To ensure optimal system performance, the dash cam will automatically stop recording when you enter the sub-menus. Recording will automatically resume as soon as you exit the settings and return to the Live View screen.

Park Before Operating: For your safety, strictly operate the device only when the vehicle is safely parked. The manufacturer assumes no responsibility for any accidents or injuries caused by operating the dash cam while driving.

3.3 Power On/Off Logic

Auto Power On: The dash cam will automatically power on and start recording immediately when the car engine starts (or when connected to power).

Auto Power Off: The dash cam will automatically stop recording and safely power off when the car engine is turned off (or when the power supply is disconnected).

3.4 Recording Modes Explained

Loop Recording (Daily Mode) :

- The device automatically splits daily recorded videos into 1-minute segments.
- When the MicroSD card reaches its storage capacity, the system automatically enables loop recording. New videos will overwrite the oldest unprotected files one by one to ensure continuous recording.

Emergency Recording (Locked Mode)

- When the vehicle experiences sudden braking, a collision, or a severe impact, the built-in G-Sensor is triggered, and the dash cam will automatically lock the current video segment.
- Emergency videos are specially protected and will not be overwritten by the Loop Recording feature.

Tip: You can adjust the collision detection sensitivity by going to Menu > General Settings > G-Sensor Sensitivity.

Parking Monitoring (Requires Hardwire Kit)

- **Trigger Condition:** After the vehicle is turned off, the dash cam automatically enters Parking Monitoring mode and continuously records in "Time-Lapse" mode at 1 frame per second (1fps).
- **Monitoring Duration:** You can set the duration of Parking Monitoring (24h / 48h / 72h) directly on the device or within the App settings.
- **Collision Wake-up:** If a collision is detected during Parking Monitoring, the dash cam will immediately record a 1-minute emergency video. Once the recording is complete, it will automatically revert to Time-Lapse mode.

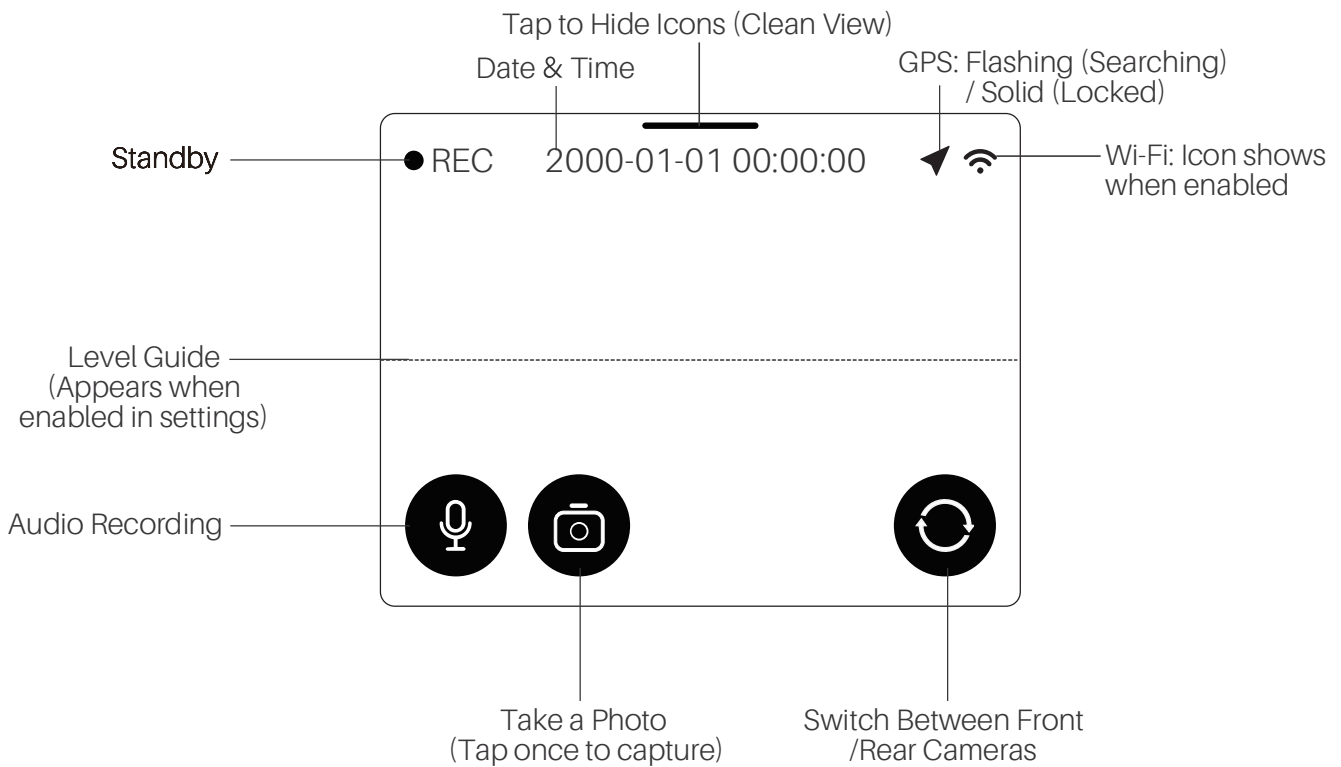
Hardware Requirement: This feature requires continuous power and must be used with the Fanttik OBD Hardwire Kit. This specific hardwire kit features a built-in low-voltage protection module to effectively prevent draining your car battery.

3.5 Quick Controls

Take a Snapshot : Tap the [Camera] icon on the screen to instantly capture a photo.

Toggle Audio Recording : During recording, tap the [Microphone] icon to quickly mute or unmute the in-cabin audio.

Switch Views : Tap the [Switch View] icon to toggle between the front and rear camera live views.



Note: This action only changes the live view on the display and does not affect the actual recording. Both the front and rear cameras will continue to record and save footage simultaneously in the background.

3.6 Video, Display & System Settings

Video Settings: Go to Menu > Video Settings.

- **Resolution :** Choose your preferred front camera video quality (4K / 2K / 1080P).
- **High Compression :** Enable this to significantly reduce video file size while maintaining the same image quality.

Display & Brightness: Go to Menu > Display & Brightness.

- **Brightness :** Adjust the screen brightness.
- **Screen Timeout :** Set the idle time before the screen automatically turns off.
- **Screen Saver :** When enabled, the display will show a screen saver (styles are customizable) instead of going completely black during standby.

Time Settings: Go to Menu > General.

Daylight Saving Time (DST) : Manually toggle DST on or off.

4. Managing Your Videos

4.1 Playback on the Dash Cam

Go to Menu > Album (or Gallery) to categorize, view, play, or delete Loop Recordings, Emergency Videos, Parking Monitoring videos, and Snapshots.

4.2 Playback via the App

Go to Menu > Wi-Fi on the dash cam to turn on the Wi-Fi hotspot.

Open the Fanttik App on your phone and tap "Connect Device".

Once connected to the dash cam's Wi-Fi, you can seamlessly stream, download, or batch-delete media files directly from your phone.

4.3 File Storage Guide (For PC Access)

When you insert the MicroSD card into your computer using a card reader, you can quickly locate your files using the folder paths below. Front and rear camera files are saved separately. Rear camera videos and photos will have an "_E" suffix in their filenames (e.g., Movie_E).

File Type	SD Card Root Directory Path	File Overwrite Rule
Loop Recordings	Novatek\Movie	Oldest files auto- overwritten when full
Emergency Videos	Novatek\EMR	Protected files, will not be overwritten
Parking Monitoring	Novatek\Park	Oldest files auto- overwritten when full
Snapshots	Novatek\Photo	Oldest files auto- overwritten when full

7. Warranty & Customer Support

- This product is covered by a 12-month warranty for manufacturing defects.