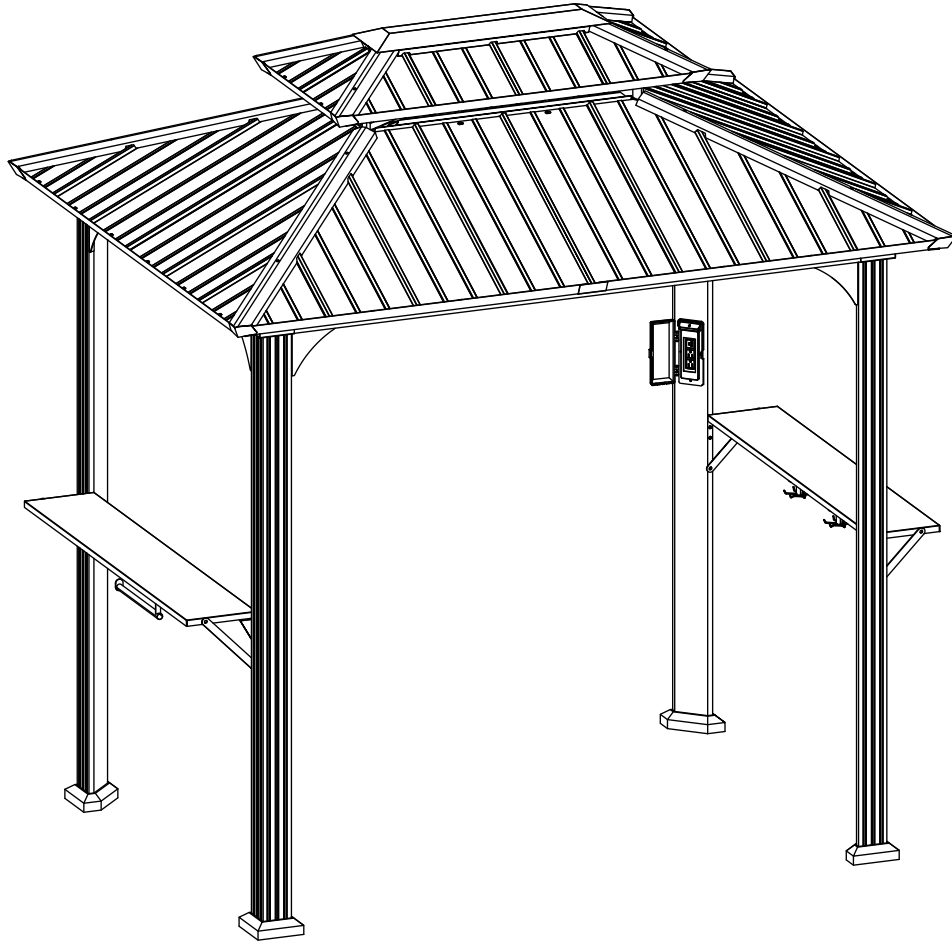


**MODEL: IG10600004-WBR2**

**ITEM #2723027**



OWNER'S MANUAL

## 6' x 8' Aluminum Hardtop Grill Gazebo

### TABLE OF CONTENTS

ASSEMBLY GUIDE.....	02
USING YOUR PRODUCT.....	05
October 24, 2025	

### QUESTIONS?



E-mail: [support@modernshade.org](mailto:support@modernshade.org)



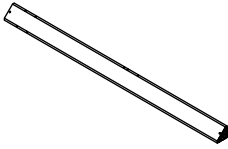
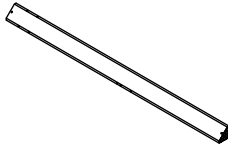
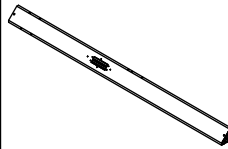
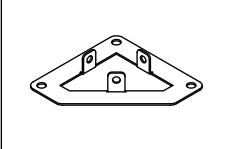
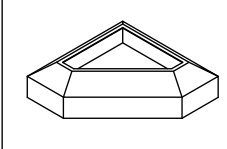
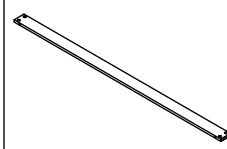
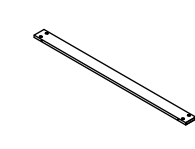
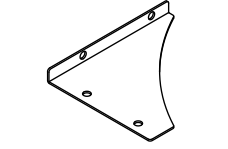
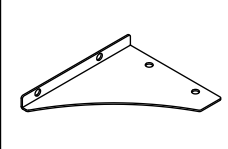
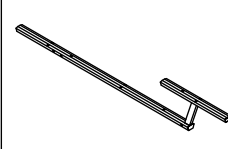
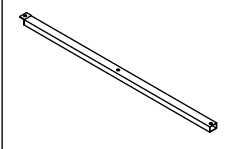
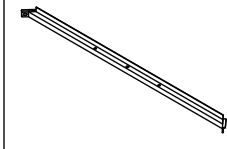
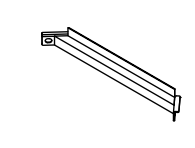
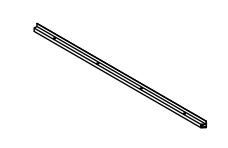
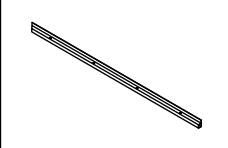
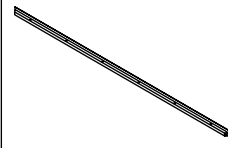
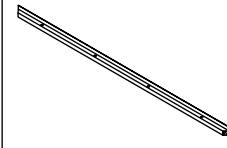
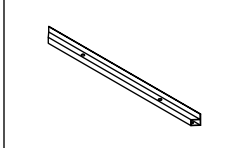
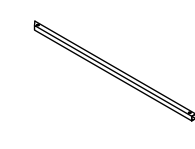
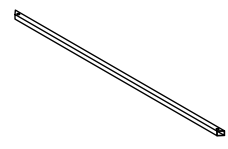
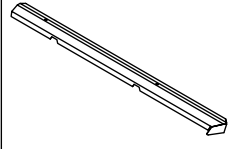
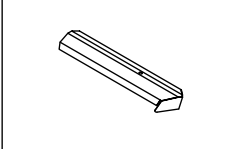
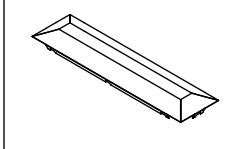
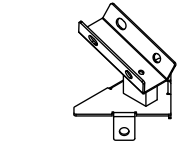
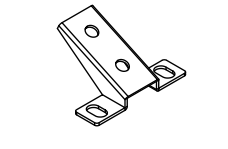
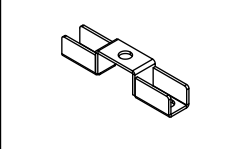
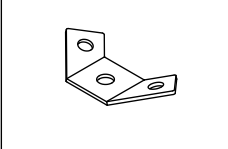
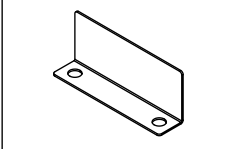
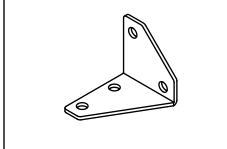
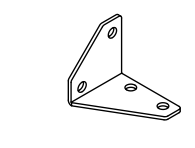
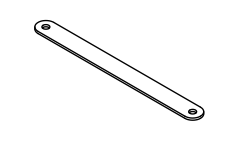
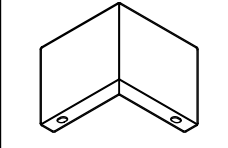
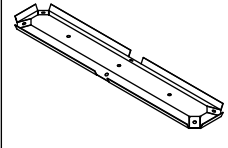
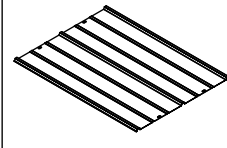
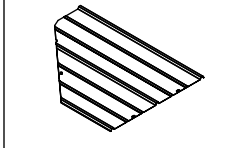
Toll Free Number: 1-888-666-3070

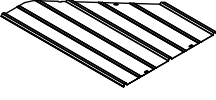
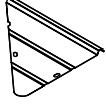

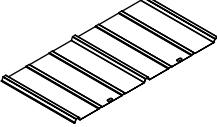
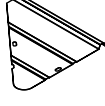

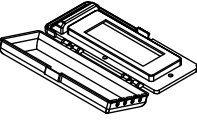

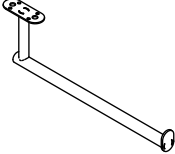
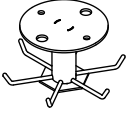
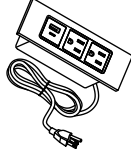


Mon-Fri: 9:00 AM - 5:00 PM PST.

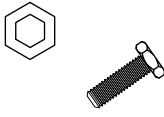
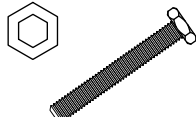
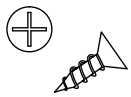
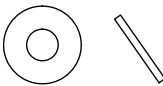
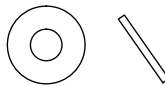
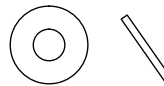
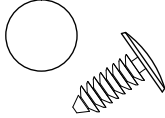
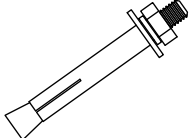
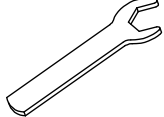


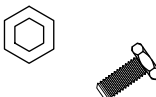
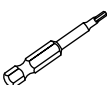
# ASSEMBLY GUIDE

## PARTS LIST

<b>A1</b> Post 1 (1 piece) 	<b>A2</b> Post 2 (2 pieces) 	<b>A3</b> Post 3 (1 piece) 	<b>B</b> Foot Base (4 pieces) 	<b>C</b> Foot Cover (4 pieces) 	<b>D1</b> Cross Beam 1 (2 pieces) 
P0010002002	P0010002102	P0010002202	P0030000601	P0020000601	P0040006002
<b>D2</b> Cross Beam 2 (2 pieces) 	<b>E1</b> Support Bracket 1 (4 pieces) 	<b>E2</b> Support Bracket 2 (4 pieces) 	<b>F</b> Roof Rib (4 pieces) 	<b>G</b> Middle Cross Beam (2 pieces) 	<b>H1</b> Roof Upper Border 1 (2 pieces) 
P0040006102	P0050001802	P0050001902	P0070001101	P0080001101	P0090006001
<b>H2</b> Roof Upper Border 2 (2 pieces) 	<b>H3</b> Roof Lower Border 1 (2 pieces) 	<b>H4</b> Roof Lower Border 2 (2 pieces) 	<b>H5</b> Roof Lower Border 3 (2 pieces) 	<b>H6</b> Roof Top Border 1 (2 pieces) 	<b>H7</b> Roof Top Border 2 (2 pieces) 
P0090006101	P0090006201	P0090006301	P0090006401	P0090006501	P0090006601
<b>J1</b> Roof Support 1 (4 pieces) 	<b>J2</b> Roof Support 2 (2 pieces) 	<b>K</b> Shelf (2 pieces) 	<b>L1</b> Roof Cover 1 (4 pieces) 	<b>L2</b> Roof Cover 2 (4 pieces) 	<b>L3</b> Roof Cover 3 (1 piece) 
P0090006701	P0090006801	P0140000101	P0120001901	P0120002001	P0120000503
<b>M1</b> Connector 1 (4 pieces) 	<b>M2</b> Connector 2 (2 pieces) 	<b>M3</b> Connector 3 (4 pieces) 	<b>M4</b> Connector 4 (12 pieces) 	<b>M5</b> Connector 5 (2 pieces) 	<b>M6</b> Connector 6 (2 pieces) 
P0060003501	P0060000303	P0060000501	P0060000604	P0110000504	P0060003601
<b>M7</b> Connector 7 (2 pieces) 	<b>M8</b> Connector 8 (4 pieces) 	<b>M9</b> Connector 9 (4 pieces) 	<b>M10</b> Connector 10 (1 piece) 	<b>N1</b> Roof Plate 1 (2 pieces) 	<b>N2</b> Roof Plate 2 (4 pieces) 
P0060003701	P0050002001	P0110002202	P0060000702	P0130002699	P0130002799

<p><b>N3</b> Roof Plate 3 (4 pieces)</p> 	<p><b>N4</b> Roof Plate 4 (4 pieces)</p> 	<p><b>N5</b> Roof Plate 5 (4 pieces)</p> 	<p><b>N6</b> Roof Top Plate 1 (2 pieces)</p> 	<p><b>N7</b> Roof Top Plate 2 (4 pieces)</p> 	<p><b>N8</b> Roof Top Plate 3 (4 pieces)</p> 
<p>P0130002899</p>	<p>P0130002999</p>	<p>P0130003099</p>	<p>P0130003199</p>	<p>P0130003299</p>	<p>P0130003399</p>
<p><b>P</b> Power Strip Cover (1 piece)</p> 	<p><b>Q</b> Hook (1 piece)</p> 	<p><b>R</b> Paper Towel Rack (1 piece)</p> 	<p><b>S</b> Rotatable Rack (2 pieces)</p> 	<p><b>T</b> Power Strip (1 piece)</p> 	
<p>P0260000101</p>	<p>P1000000100</p>	<p>P1000000901</p>	<p>P1000001001</p>	<p>P0240000101</p>	

## HARDWARE

<b>AA</b> Bolt M6*20 (240+14 pieces) 	<b>BB</b> Bolt M6*45 (14+1 pieces) 	<b>CC</b> Bolt M3*9 (8+1 pieces) 	<b>DD</b> M6 Flat washer (234+12 pieces) 	<b>EE</b> Mini M6 Flat washer (32+2 pieces) 	<b>FF</b> M6 Sealant Washer (12+2 pieces) 
H0008008036	H0008008016	H0008008092	H0008008057	H0008008134	H0008008060
<b>GG</b> Plastic Clip (4+2 pieces) 	<b>HH</b> Concrete Anchor M6*60 (8 pieces) 	<b>JJ</b> Wrench M6 (2 pieces) 	<b>KK</b> M6 Allen Key (1 piece) 	<b>LL</b> M6 Allen Key with Screw Driver (1 piece) 	<b>MM</b> Bolt M6*15 (12+1 pieces) 
H0008008071	H0008008095	H0008008011	H0008008133	H0008008132	H0008008001
<b>PP</b> M6 Hex drill bit (1 piece) 					
H0008008209					

### IMPORTANT:

This instruction manual contains important information necessary for the proper assembly and safe use of the product.

Read and follow all warnings and instructions before assembling and using the product.

Follow all warnings and instructions when using the product.

Keep this manual for future reference.

Installer/Assembler: leave these instructions with the consumer.

### SAFETY ALERT KEY

#### DANGER

Indicates a hazardous situation that, if not avoided, will result in death or serious injury.

#### WARNING

Indicates a hazardous situation that, if not avoided, could result in death or serious injury.

#### CAUTION

Indicates a hazardous situation that, if not avoided, could result in minor or moderate injury.

#### NOTICE

Indicates information considered important, but not hazard-related (e.g.messages related to property damage).

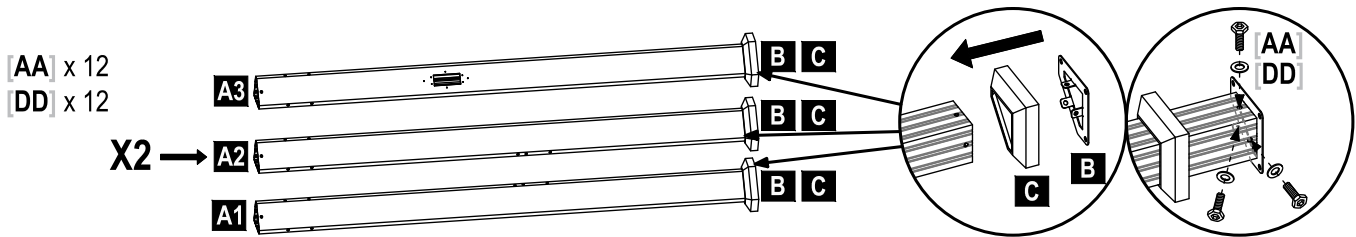
# ASSEMBLY INSTRUCTIONS

- Please carefully unpack each of the components and hardware. Check the components against the parts list and make sure there are no missing parts. Lay the pieces on cardboard or a soft mat to help protect the pieces from scratches.

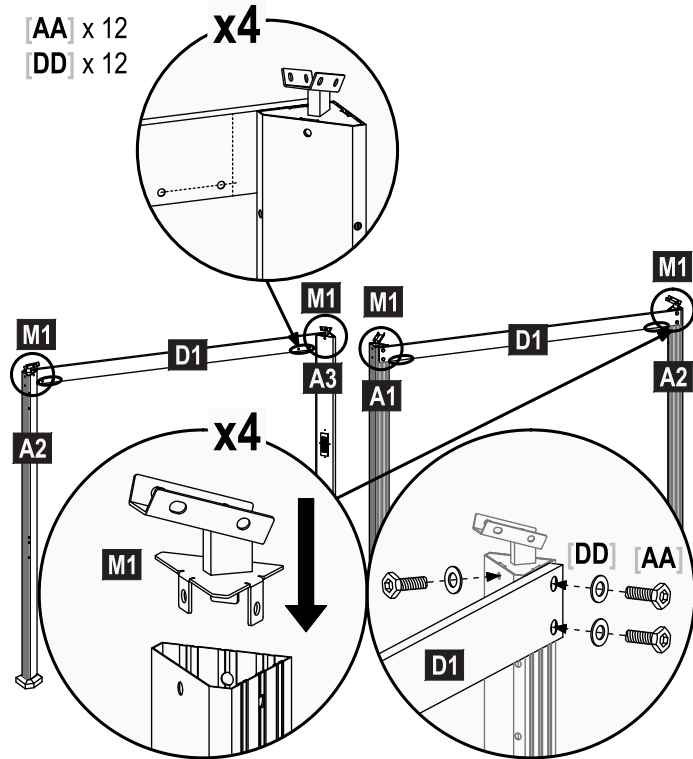
**⚠ CAUTION**  
 Watch for sharp edges when handling the pieces, and wear gloves to avoid injury.

- For ease of assembly, it is recommended to have 3 or more people and allow enough time to completely finish the assembly. Assembly can take 6-8 hours. A stepladder is required for assembly (not included).
- Follow the step-by-step instructions, and follow all safety warnings provided with your tools.
- DO NOT tighten screws until all the screws and washers are properly installed. Tighten screws securely, do not over tighten.
- Gazebo should not be used in inclement weather and high winds.

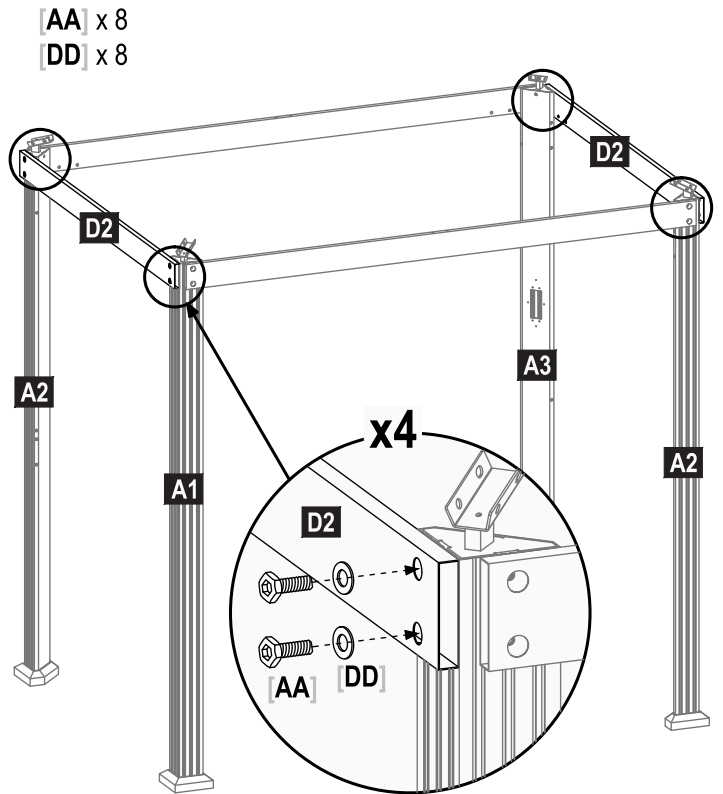
**STEP 01** Pull the electric cord out through the plug on post **A3**. Slide foot cover **C** and foot base **B** onto post **A1**. Use three (3) **AA** bolts and three (3) **DD** flat washers to attach one (1) foot base **B** to post **A1**. Repeat with the post **A2** and **A3**.



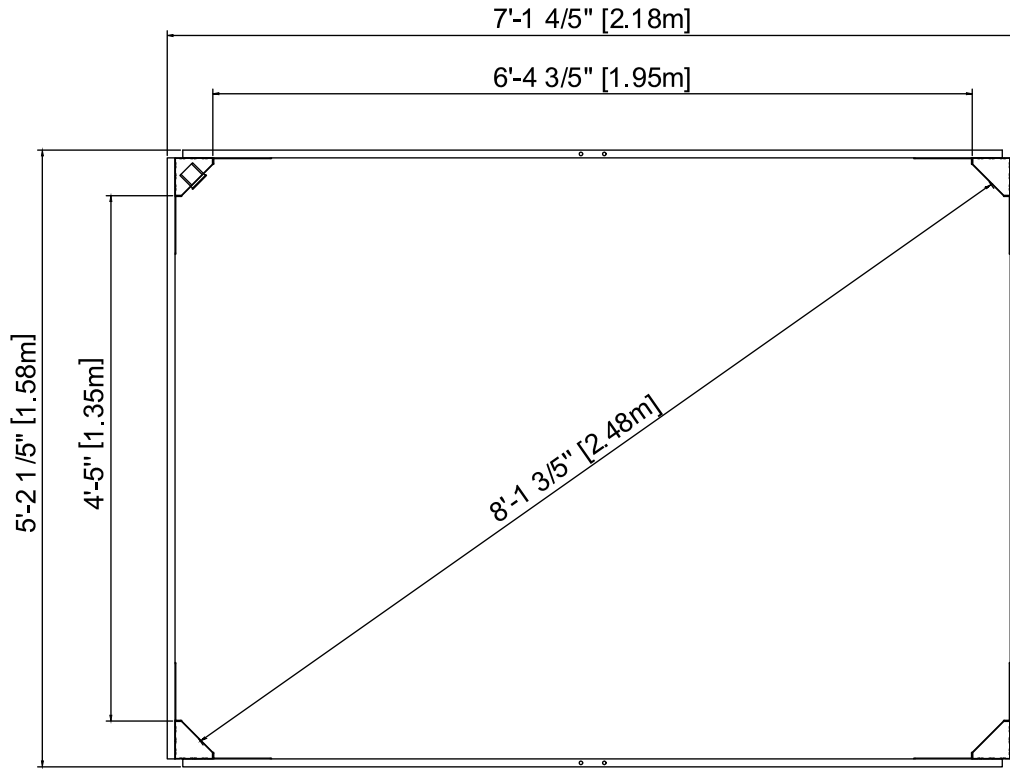
**STEP 02** Stand up posts **A2** and **A3**. Attach one (1) connector **M1** to each post. Use three (3) **AA** bolts and three (3) **DD** flat washers to attach each side of cross beam **D1** to post **A2** and **A3**. Repeat another assembly with post **A1** and **A2**.



**STEP 03** Use four (4) **AA** bolts and four (4) **DD** flat washers to attach one (1) cross beam **D2** to post **A1** and **A2**. Repeat with the other cross beam **D2** to post **A2** and **A3**.



**STEP 04 CRITICAL: SQUARE UNIT BEFORE PROCEEDING TO NEXT STEPS.  
ONCE SQUARE, TIGHTEN ALL HARDWARE.**



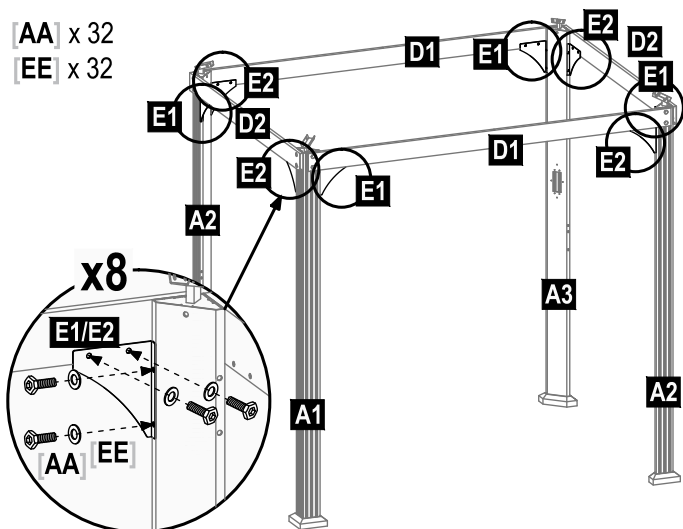
**STEP 05** Use four (4) [AA] bolts and four (4) [EE] flat washers to attach one (1) support bracket 1 [E1] to post [A1] and cross beam [D1].

Repeat with the other three (3) support bracket 1 [E1] to post [A2] [A3] and cross beam [D1] [D2].

Use four (4) [AA] bolts and four (4) [EE] flat washers to attach one (1) support bracket 2 [E2] to post [A1] and cross beam [D2].

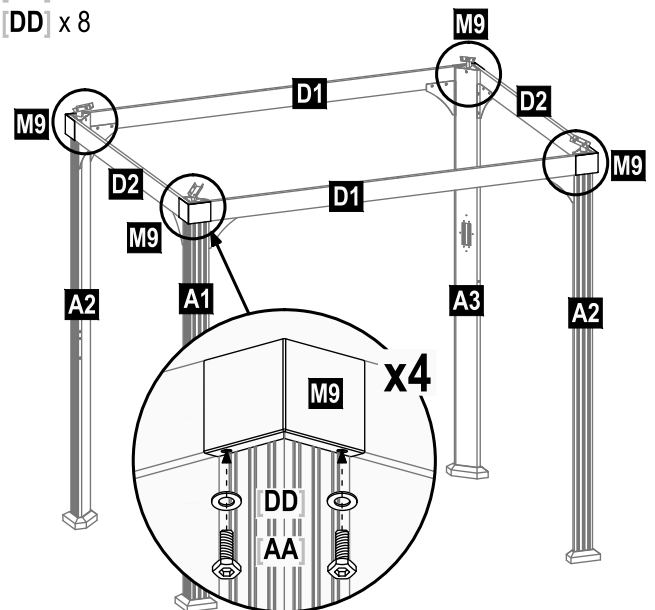
Repeat with the other three (3) support bracket 2 [E2] to post [A2] [A3] and cross beam [D1] [D2].

- [AA] x 32
- [EE] x 32



**STEP 06** Cover each corner with one (1) [M9] connector secured with two (2) [AA] bolts and two (2) [DD] washers each.

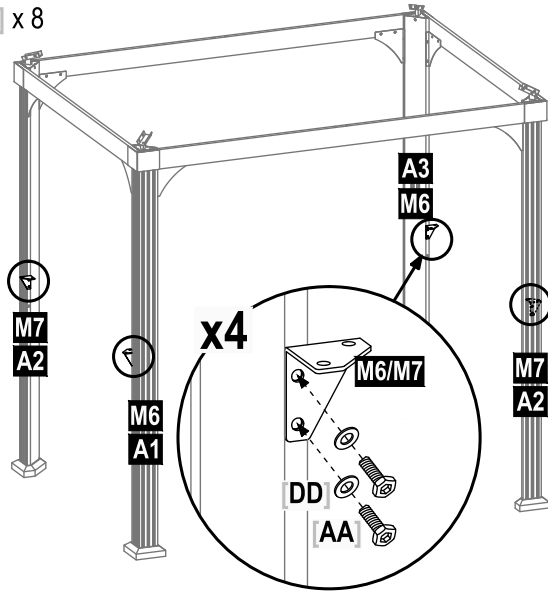
- [AA] x 8
- [DD] x 8



**STEP 07** Use two (2) **AA** bolts and two (2) **DD** flat washers to attach one (1) connector **M6** to post **A1**. Repeat with the other **M6** to post **A3**.

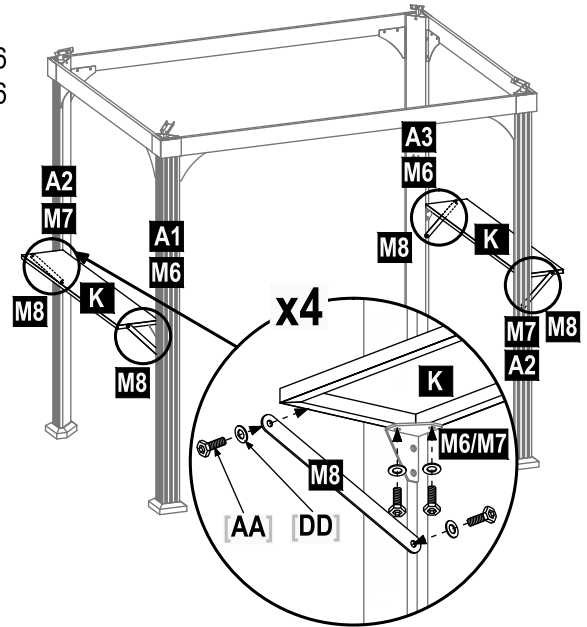
Use two (2) **AA** bolts and two (2) **DD** flat washers to attach one (1) connector **M7** to post **A2**. Repeat with the other **M7** to post **A2**.

**AA** x 8  
**DD** x 8



**STEP 08** Use two (2) **AA** bolts and two (2) **DD** flat washers to attach each side of shelf **K** to connector **M6** / **M7**. Use two (2) **AA** bolts and two (2) **DD** flat washers to attach one (1) shelf **K** to each connector **M8**. Repeat with the other shelf **K**.

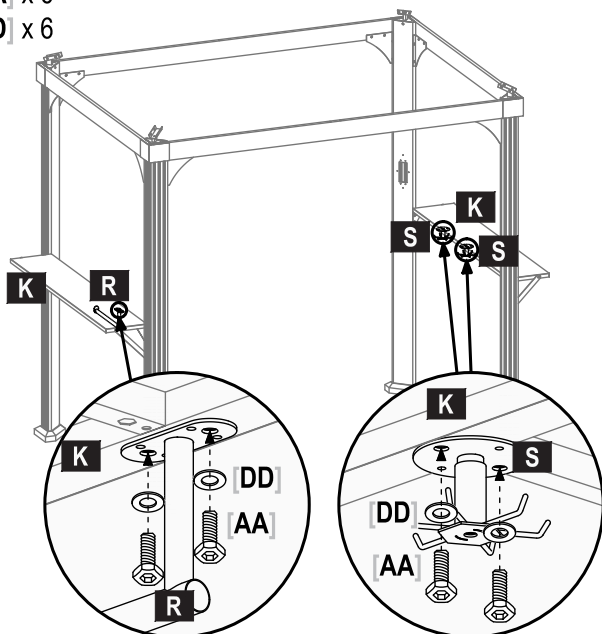
**AA** x 16  
**DD** x 16



**STEP 09** Use two (2) **AA** bolts and two (2) **DD** flat washers to attach one (1) rotatable rack **S** to shelf **K**. Repeat with the other rotatable rack **S**.

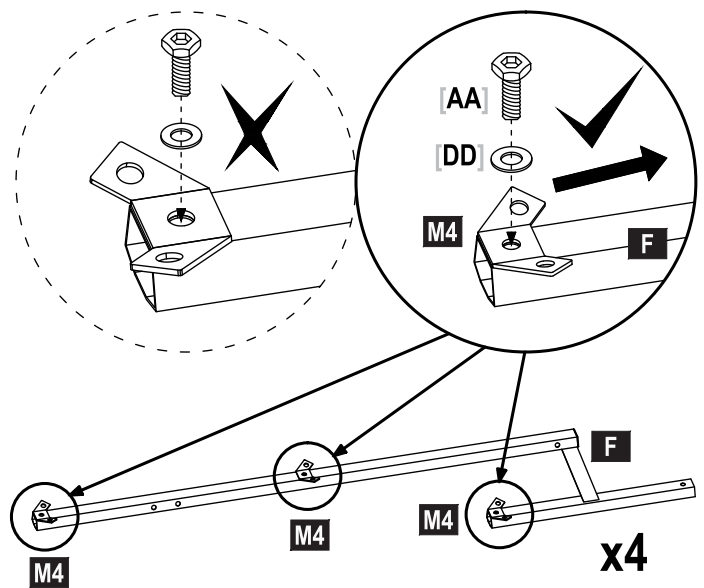
Use two (2) **AA** bolts and two (2) **DD** flat washers to attach one (1) paper towel rack **R** to shelf **K**.

**AA** x 6  
**DD** x 6



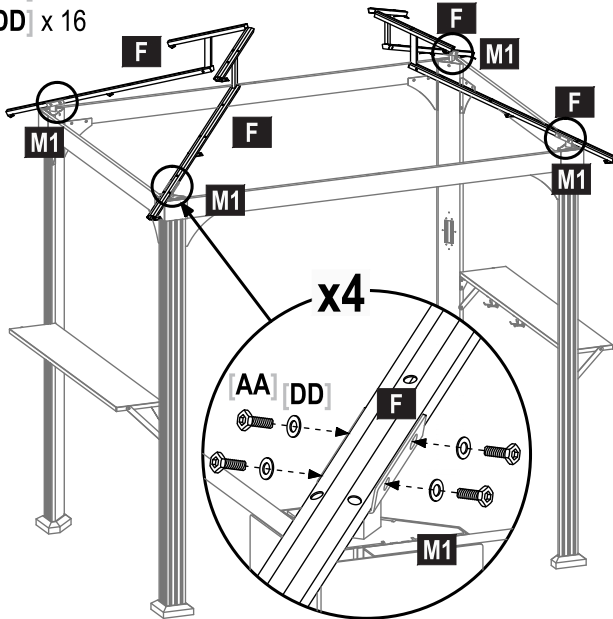
**STEP 10** Attach three (3) **M4** connectors to the bottom of the **F** roof rib using one (1) **AA** bolt and one (1) **DD** washer. Make sure that the tabs point to the raised arm of the roof rib. Repeat to make four (4) assemblies.

**AA** x 12  
**DD** x 12



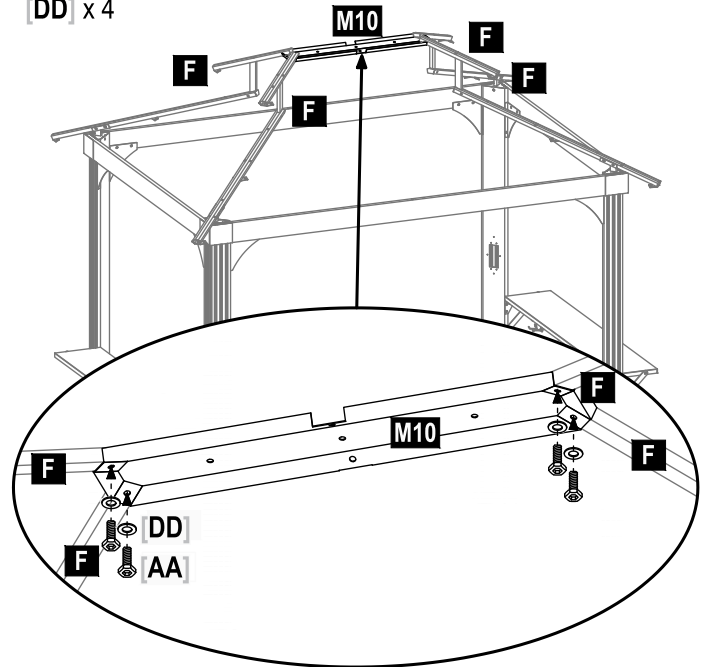
**STEP 11** Use four (4) [AA] bolts and four (4) [DD] flat washers to attach one (1) roof rib [F] to connector [M1]. Repeat with the other three (3) roof rib [F].

[AA] x 16  
[DD] x 16



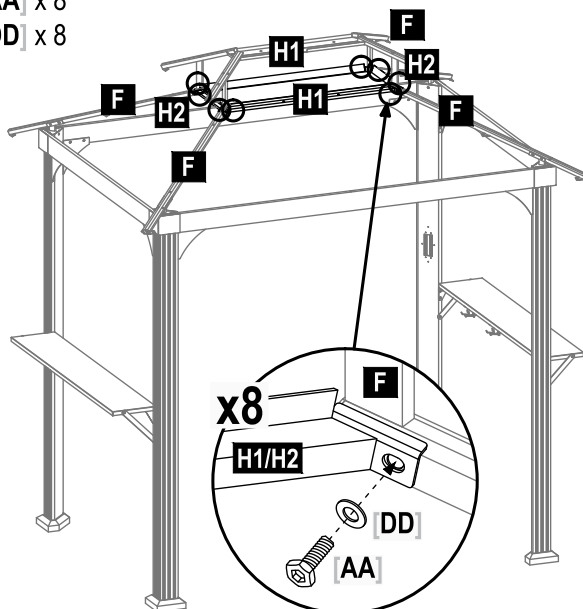
**STEP 12** Use four (4) [AA] bolts and four (4) [DD] flat washers to attach one (1) connector 10 [M10] to roof ribs [F].

[AA] x 4  
[DD] x 4



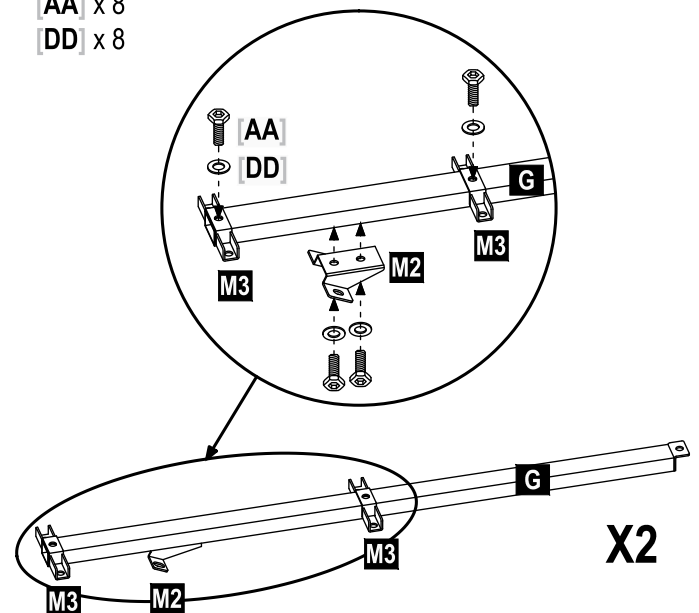
**STEP 13** Use two (2) [AA] bolts and two (2) [DD] flat washers to attach one (1) roof border 1 [H1] to roof ribs [F]. Repeat with the other roof border 1 [H1].  
Use two (2) [AA] bolts and two (2) [DD] flat washers to attach one (1) roof border 2 [H2] to roof ribs [F]. Repeat with the other roof border 2 [H2].

[AA] x 8  
[DD] x 8



**STEP 14** Use one (1) [AA] bolt and one (1) [DD] flat washer to attach one (1) connector 3 [M3] to middle cross beam [G]. Repeat with the other connector 3 [M3].  
Use two (2) [AA] bolts and two (2) [DD] flat washers to attach one (1) connector 2 [M2] to middle cross beam [G].

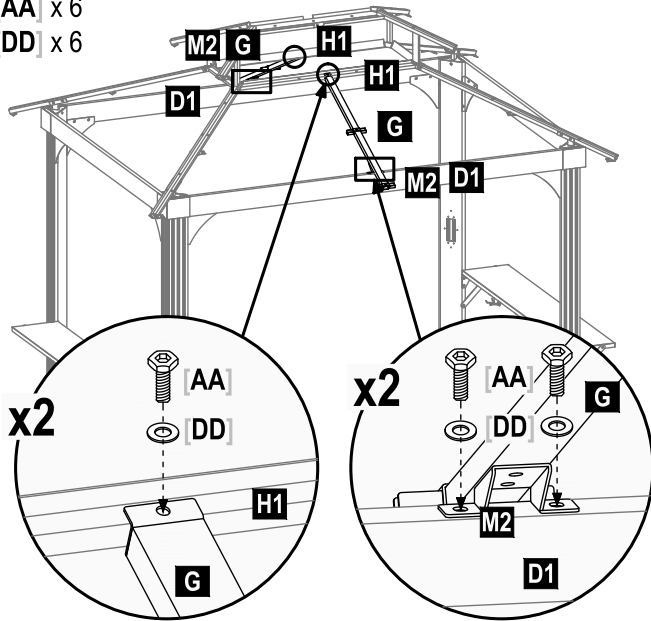
[AA] x 8  
[DD] x 8



**STEP 15** Use one (1) [AA] bolt and one (1) [DD] flat washer to attach one end of middle cross beam [G] to roof border [H1]. Use two (2) [AA] bolts and two (2) [DD] flat washers to attach the other end of middle cross beam [G] with connector [M2] to cross beam [D1].

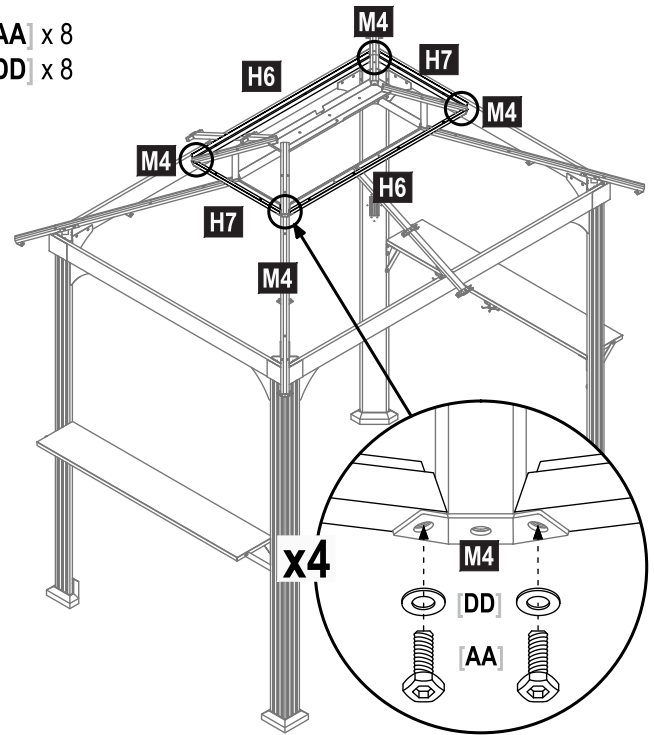
Repeat with the other middle cross beam [G].

[AA] x 6  
[DD] x 6



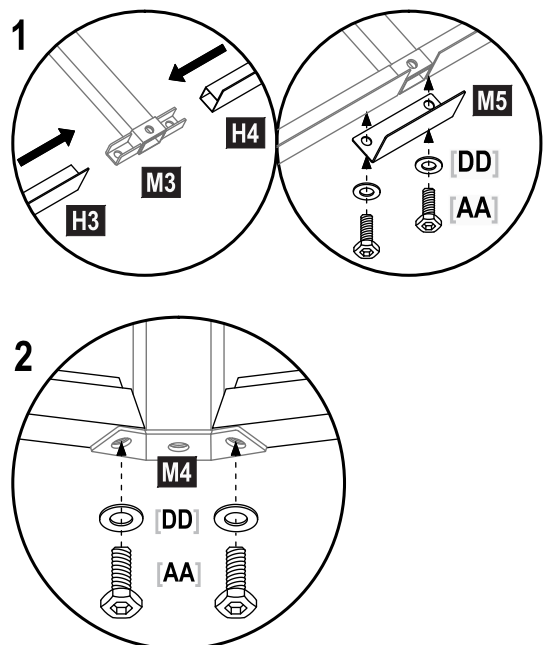
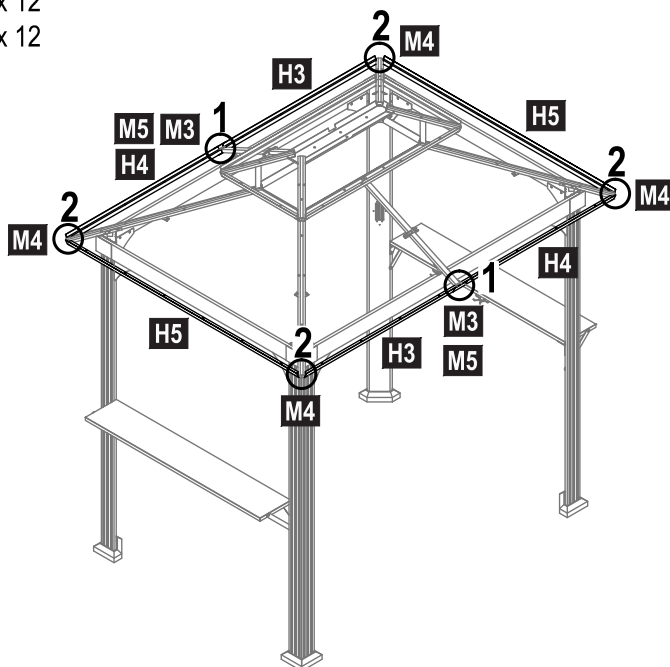
**STEP 16** Add two (2) [H6] roof top borders and two (2) [H7] roof top borders to the [M4] connectors on the roof ribs. Secure using two (2) [AA] bolts and two (2) [DD] washers each.

[AA] x 8  
[DD] x 8



**STEP 17** Slide one (1) [H3] and one (1) [H4] roof lower borders onto the [M3] connector in the center. Cover the connection with one (1) [M5] connector and secure it with two (2) [AA] bolts and two (2) [DD] washers on each. Add one [H5] roof lower board to the short side of the gazebo using two (2) [AA] bolts and two (2) [DD] washers. Repeat on the other sides to complete the lower border.

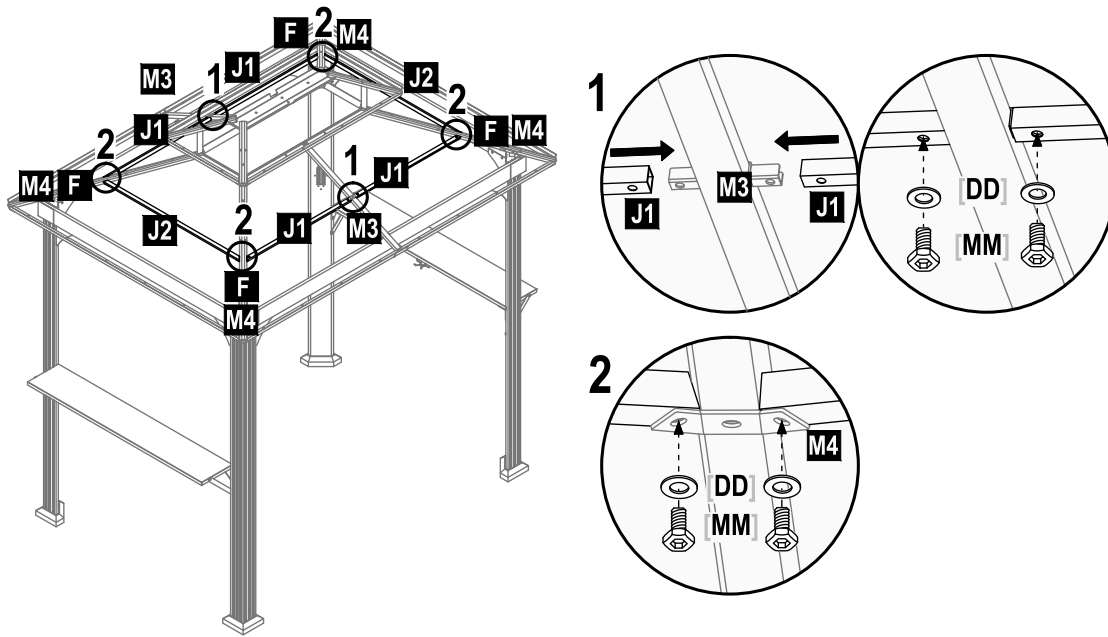
[AA] x 12  
[DD] x 12



**STEP 18** Use two (2) [MM] bolts and two (2) [DD] flat washers to attach one (1) roof support 1 [J1] to connector 4 [M4] on roof rib [F] and connector 3 [M3] on middle cross beam [G]. Repeat with the other three (3) roof support 1 [J1].

Use two (2) [MM] bolts and two (2) [DD] flat washers to attach one (1) roof support 2 [J2] to connectors 4 [M4] on roof rib [F]. Repeat with the other roof support 2 [J2].

[MM] x 12  
[DD] x 12

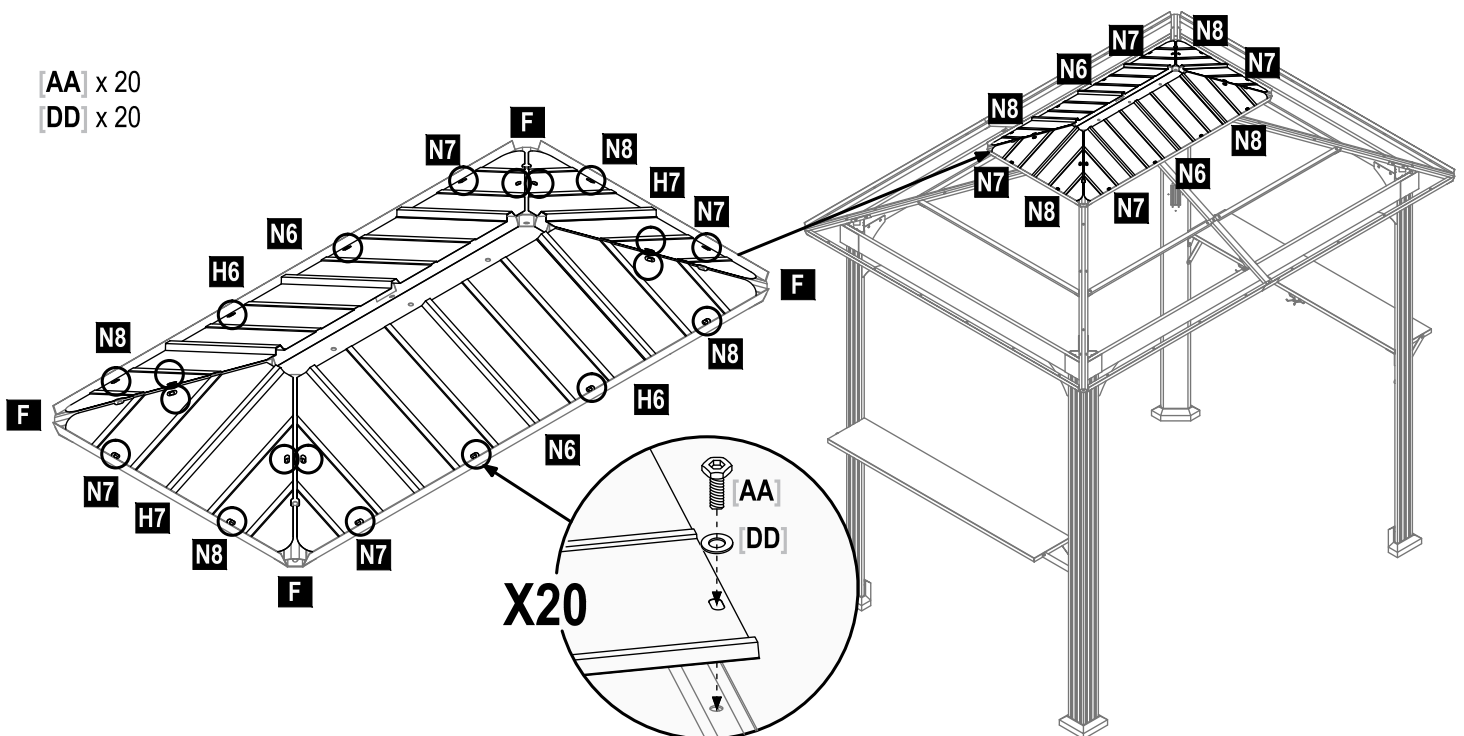


**STEP 19** DO NOT tighten the bolts completely until all the bolts and washers are properly installed.

Overlap the edges of the adjacent roof plates together.

Use one (1) [AA] bolt and one (1) [DD] flat washer to attach each hole of roof plates [N6], [N7] and [N8] to the top frame.

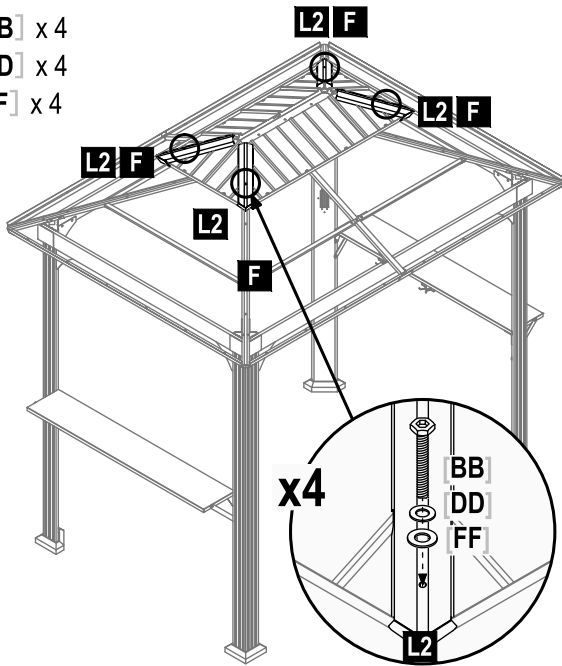
[AA] x 20  
[DD] x 20



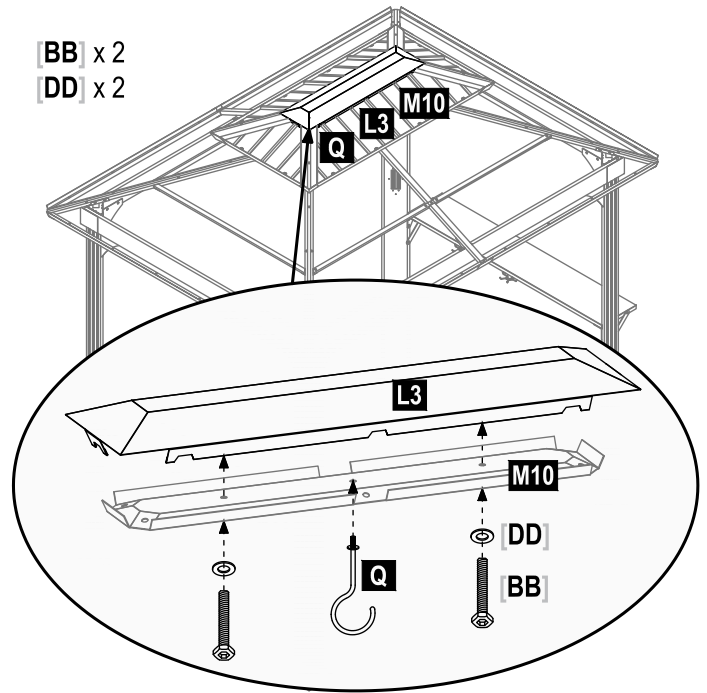
**STEP 20** Use one (1) [BB] bolt, one (1) [DD] flat washer and one (1) [FF] sealant washer to attach one (1) roof cover 2 [L2] to roof rib [F]. Repeat with the other three (3) roof cover 2 [L2].

**STEP 21** Use two (2) [BB] bolts and two (2) [DD] flat washers to attach one (1) connector 10 [M10] to roof cover 3 [L3]. Attach hook [Q] to roof cover 3 [L3] through connector 10 [M10].

- [BB] x 4
- [DD] x 4
- [FF] x 4



- [BB] x 2
- [DD] x 2



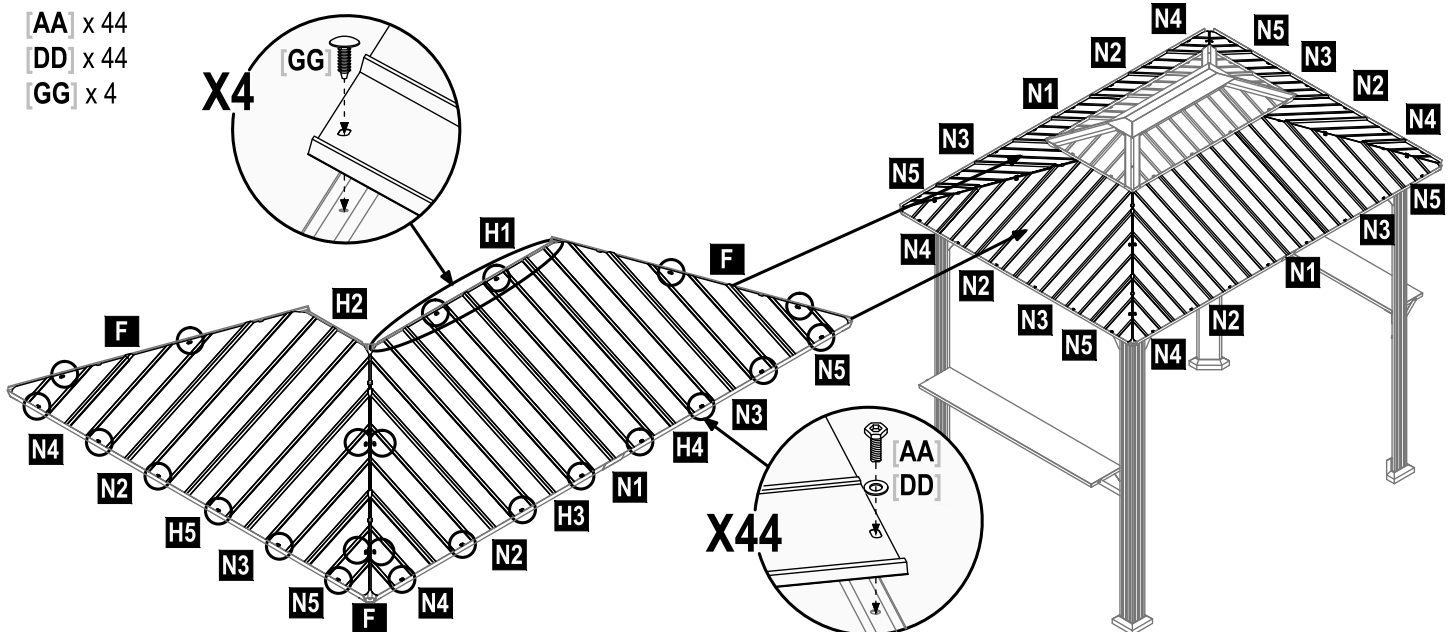
**STEP 22** DO NOT tighten the bolts completely until all the bolts and washers are properly installed.

Overlap the edges of the adjacent roof plates together.

Use two (2) [GG] plastic clip to attach the top of roof plate [N1] to roof border 1 [H1]. Repeat with the other roof plate [N1].

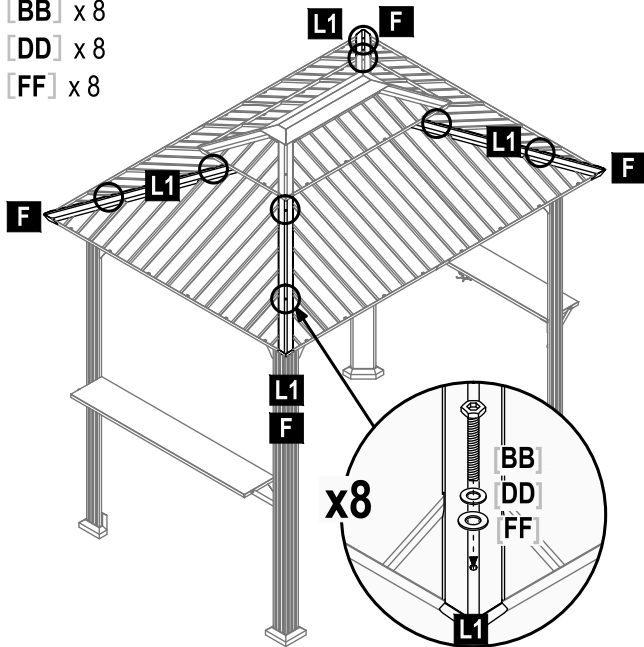
Use one (1) [AA] bolt and one (1) [DD] flat washer to attach each hole of roof plates [N1], [N2], [N3], [N4] and [N5] to roof ribs [F] and roof border [H3], [H4], [H5].

- [AA] x 44
- [DD] x 44
- [GG] x 4

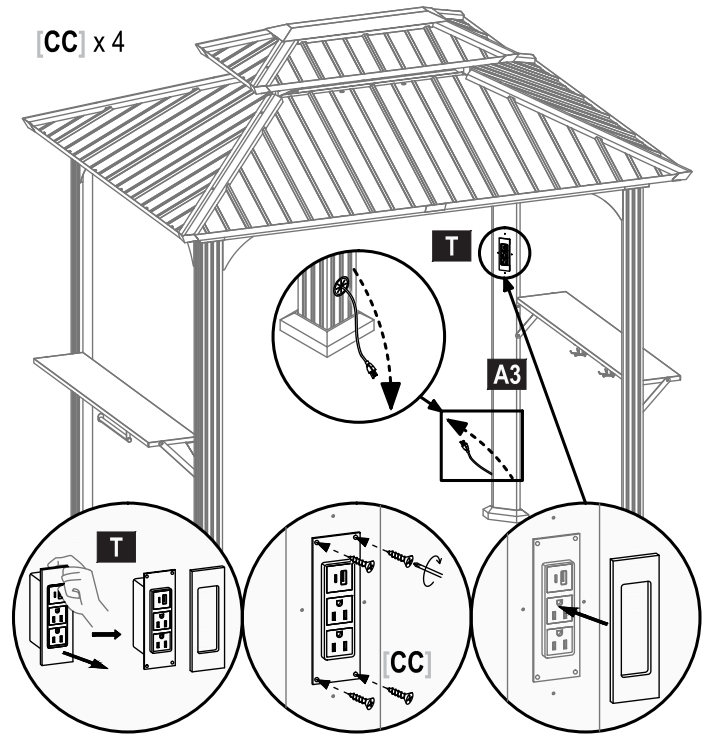


**STEP 23** Use one (2) [BB] bolt, one (2) [DD] flat washer, and one (2) [FF] sealant washer to attach one (1) roof cover 1 [L1] to roof rib [F]. Repeat with the other three (3) roof cover 1 [L1].

- [BB] x 8
- [DD] x 8
- [FF] x 8

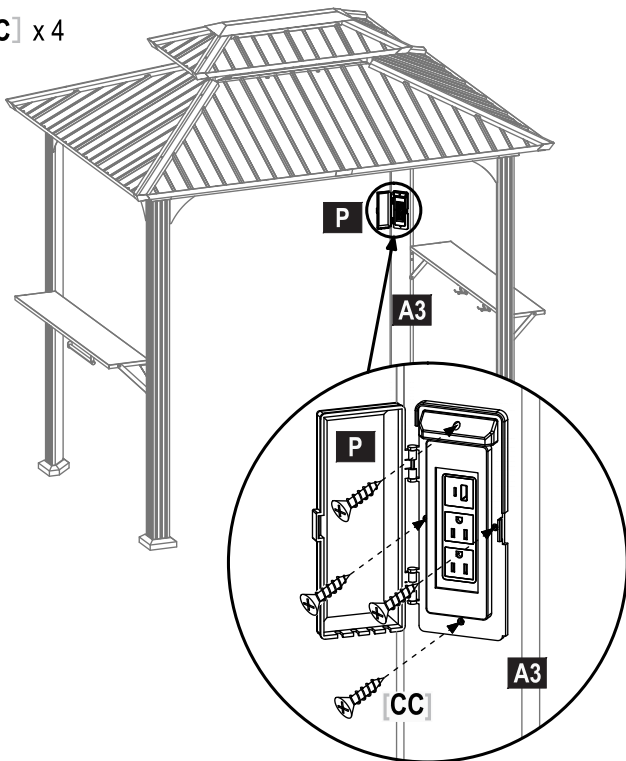


**STEP 24** Remove the front cover from the [T] patch panel case, then attach the case to post [A3] using four (4) [CC] bolts. Reattach the cover to the panel. Pull the electric cord out through the plug on Post [A3].



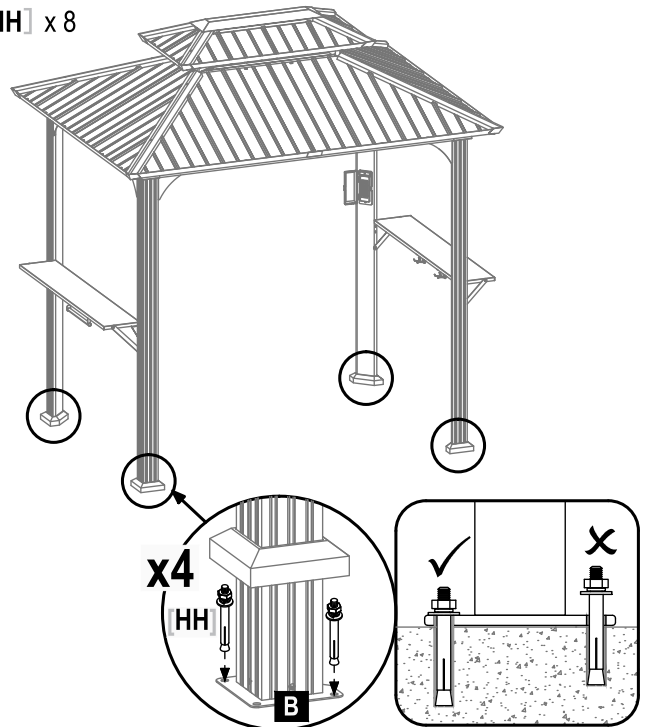
**STEP 25** Use four (4) [CC] bolts to attach patch panel cover [P] to post [A3].

- [CC] x 4



**STEP 26** Use two (2) [HH] expansion bolts to anchor each foot base [B]. We recommend using a 3/8 inch drill bit when installing the included expansion bolts.

- [HH] x 8



Outdoor Structure anchoring guide for anchoring gazebo to wood or concrete: If step 26, on page 12 in the assembly instructions, is not properly completed, this will void the warranty.



**WARNING! If your gazebo is not properly anchored, damage could occur.** It is highly recommended for maximum safety that you mount and secure to wood or concrete footers. This is far better and safer than using ground stakes. The following are some examples of how to mount the structure to wood or concrete surfaces. Refer to local building codes or consider consulting a licensed contractor for assistance in the anchoring of this product.

WOOD	CONCRETE
<p>Anchors should be drilled into joists or reinforced blocking (not only deck boards).</p> <p>Recommended Hardware: Expansion Bolt</p>	<p>Predrill holes for appropriately sized concrete anchors.</p> <p>Recommended Hardware: Expansion Bolt</p>

If digging for foundation, please double check for possibility of any underground utilities such as gas, telephone, cable, or sprinkler lines. Refer to your local building and city codes, ordinances, neighborhood covenants, or height restrictions regarding this type of structure for guidance on acceptable installation requirements.

**CAUTION**  
DO NOT climb or walk on roof for any reason.

- Our components are intended for privacy, decorative, and ornamental use only.
- Product is NOT INTENDED for the following:
  - A safety barrier to prevent unsupervised access to pools, hot tubs, spas or ponds.
  - As load bearing support for a building, structure, heavy objects or swings.
  - Used in structures that trap wind, rain or snow that would create extra load on the product.
  - Accumulated snow must be removed from roof.
  - DO NOT climb or walk on roof for any reason.

### WARRANTY

We warrants this product against defects in materials and workmanship for a period of one (1) year from the original date of purchase. To the extent any such defects occur, our products will send the appropriate replacement part(s) at no charge.

This warranty does not cover:

- Inspection costs or labor for replacement of any defective parts
- Incidental or consequential damages
- Cosmetic defects which DO NOT affect performance
- Normal wear and tear
- Damage due to vandalism; acts of nature, including but not limited to wind, storms, hail, floods
- Improper assembly, installation, or use
- Discoloration or fading of the finish as a result of exposure to chemicals, spills, pool or salt water
- Corrosion/ rust.

Your product has been designed for safety and quality.

Any modifications made to the original product could compromise its structural integrity or function, and could lead to product failure or personal injury. As such, modifying this product voids any and all warranties.

This product is warranted for RESIDENTIAL USE ONLY and is not for commercial, contract, or other non-residential purposes.

This product disclaims all other representations and warranties of any kind, expressed or implied.

The warranty applies to the original purchaser and is non-transferable. It does not apply to purchases of display models, or when the product is sold on clearance or "as is".

We make no warranty whatsoever in respect to accessories or parts not supplied with it. This warranty shall apply only within the boundaries of the United States of America and Canada. This warranty gives the original purchaser specific rights, and the original purchaser may also have other rights, which vary from state to state.

