

INSTALLATION INSTRUCTIONS

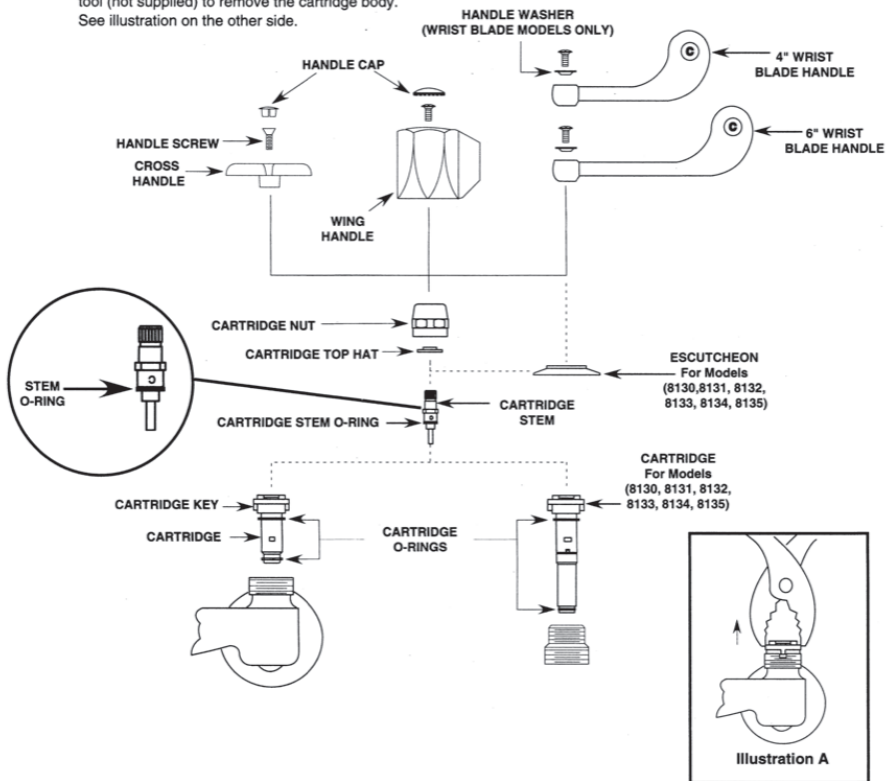
MT022

CAUTION: Before removing old cartridge shut off both HOT and COLD water supplies.
(If not shut off properly, water damage or injury may result.)
After turning off both water supplies, open both valves to alleviate sustained pressure.

TO DISASSEMBLE:

1. For cross and wing handles, using a flat instrument carefully pry off the handle cap.
2. Remove screw using a TORX screwdriver (not supplied) and handle.
3. Carefully unscrew cartridge nut with wrench, grasp cartridge stem and remove.
4. With pliers, grasp cartridge and remove from valve body. (See illustration A.)

NOTE: If cartridge has been installed for an extended period of time, it may be necessary to use a cartridge removal tool (not supplied) to remove the cartridge body. See illustration on the other side.



(Continued on other side)

TO REASSEMBLE:

Failure to follow these instructions might cause the cartridge to be damaged beyond repair.

General Instructions For All Models:

1. Thoroughly grease cartridge o-rings and stem o-rings with grease pack provided. Make sure cartridge stem o-ring is installed on the cartridge stem before installing stem into cartridge.
2. Place cartridge into faucet body. **NOTE: Make sure cartridge "KEYS" are aligned with the notches on the valve body, (see illustration below).**
3. Make sure that cartridge top hat is in place inside the cartridge nut and screw cartridge nut onto faucet body and tighten.
4. Place handle onto cartridge stem and rotate stem in the off direction until it stops. Remove the handle and replace in the desired orientation for the off position.
5. **For wrist blade handles:** Place the handle washers, red "HOT" side, blue "COLD" side, on the handles and secure handles with screws using a TORX screwdriver (not supplied).
For cross handles and short wing handles: Secure handle to the faucet with screw using a TORX screwdriver (not supplied) and replace the handle caps.

For model #8100

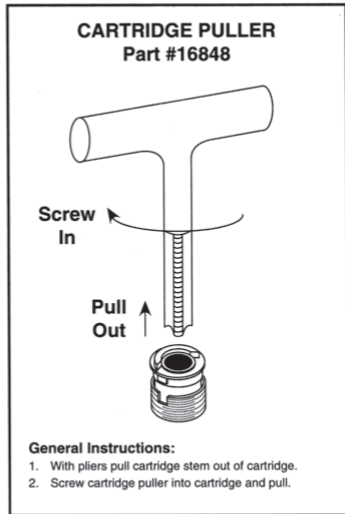
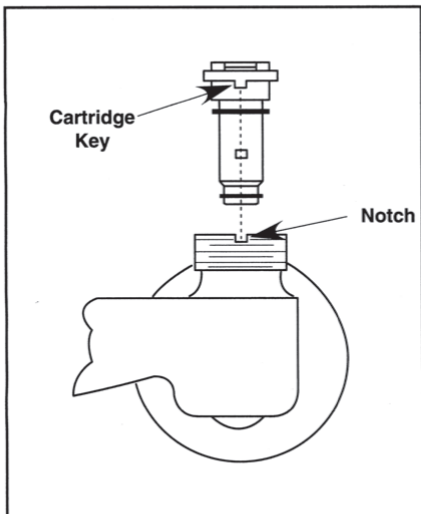
NOTE: The intended rotation of the handle is front "ON" back "OFF". To achieve this rotation use hot side cartridge stem only if the faucet is mounted with the handle on the right. Use cold side stem if the handle is positioned on the left.

For model #8110

NOTE: The intended rotation of the hot and cold supplies are forward "ON" backward "OFF". This can be achieved by placing the hot side cartridge stem in the cold side of the faucet body and placing the cold side cartridge stem in the hot side of the faucet body.

For model #8120

NOTE: The intended rotation of the hot and cold supplies are counter clockwise "ON" clockwise "OFF". To achieve this rotation use hot side cartridge stems in both valves.



MOEN®

25300 AL Moen Dr.
North Olmsted, OH. 44070

© Copyright 2022
Moen Incorporated
Printed in U.S.A.

MT022 AUG. 2022