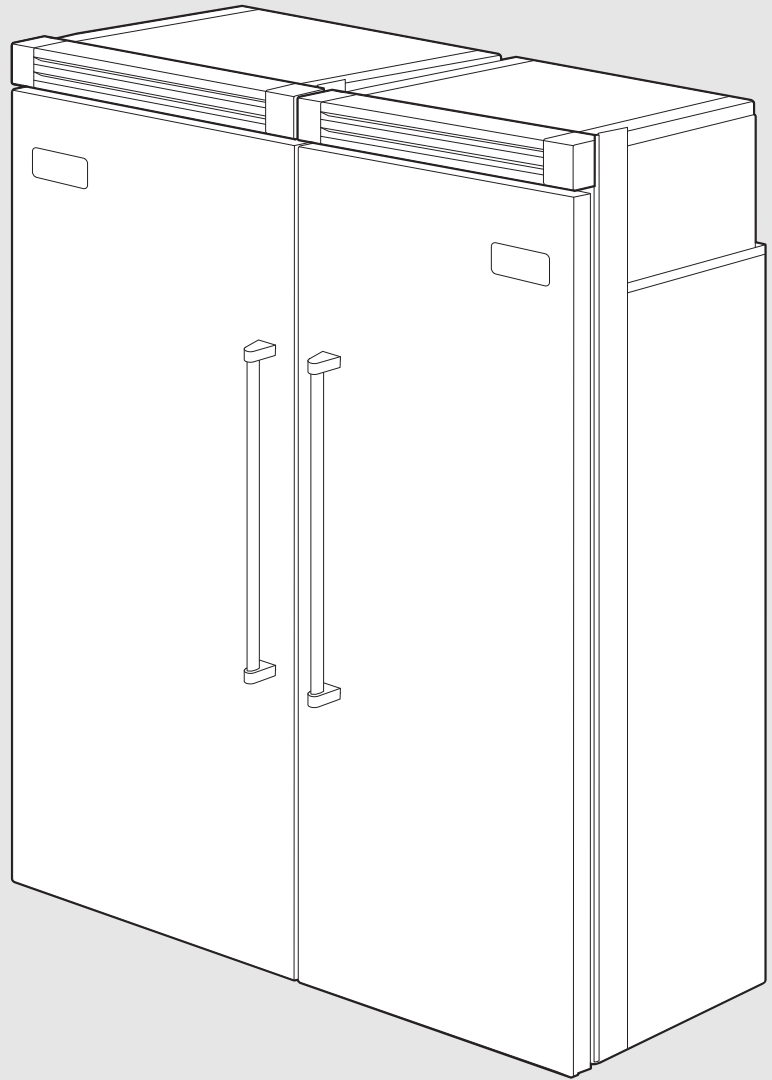


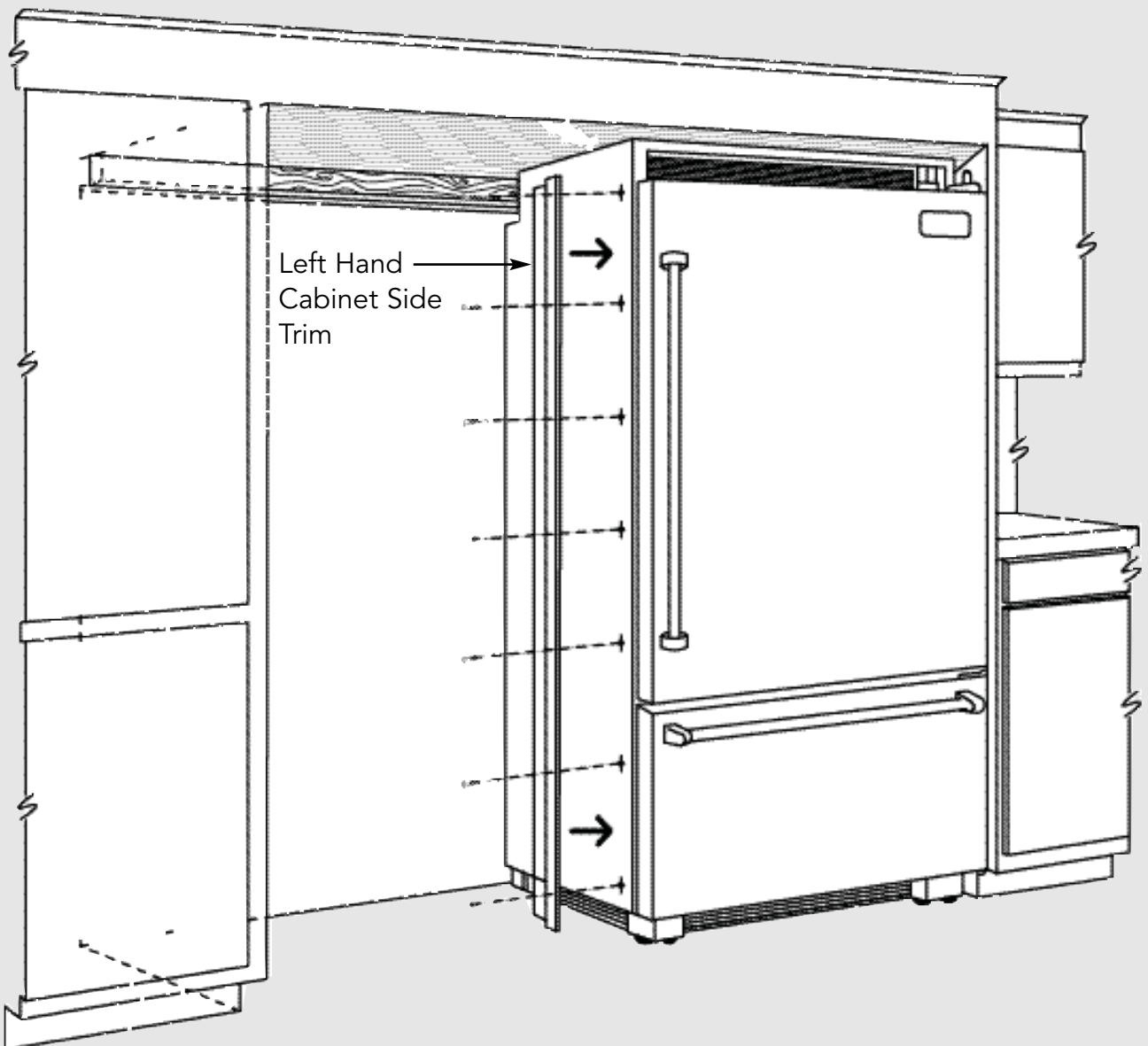
Installation Guide



Built-In Refrigeration Top Grille /
Center Trim Installation
(Dual Installation)

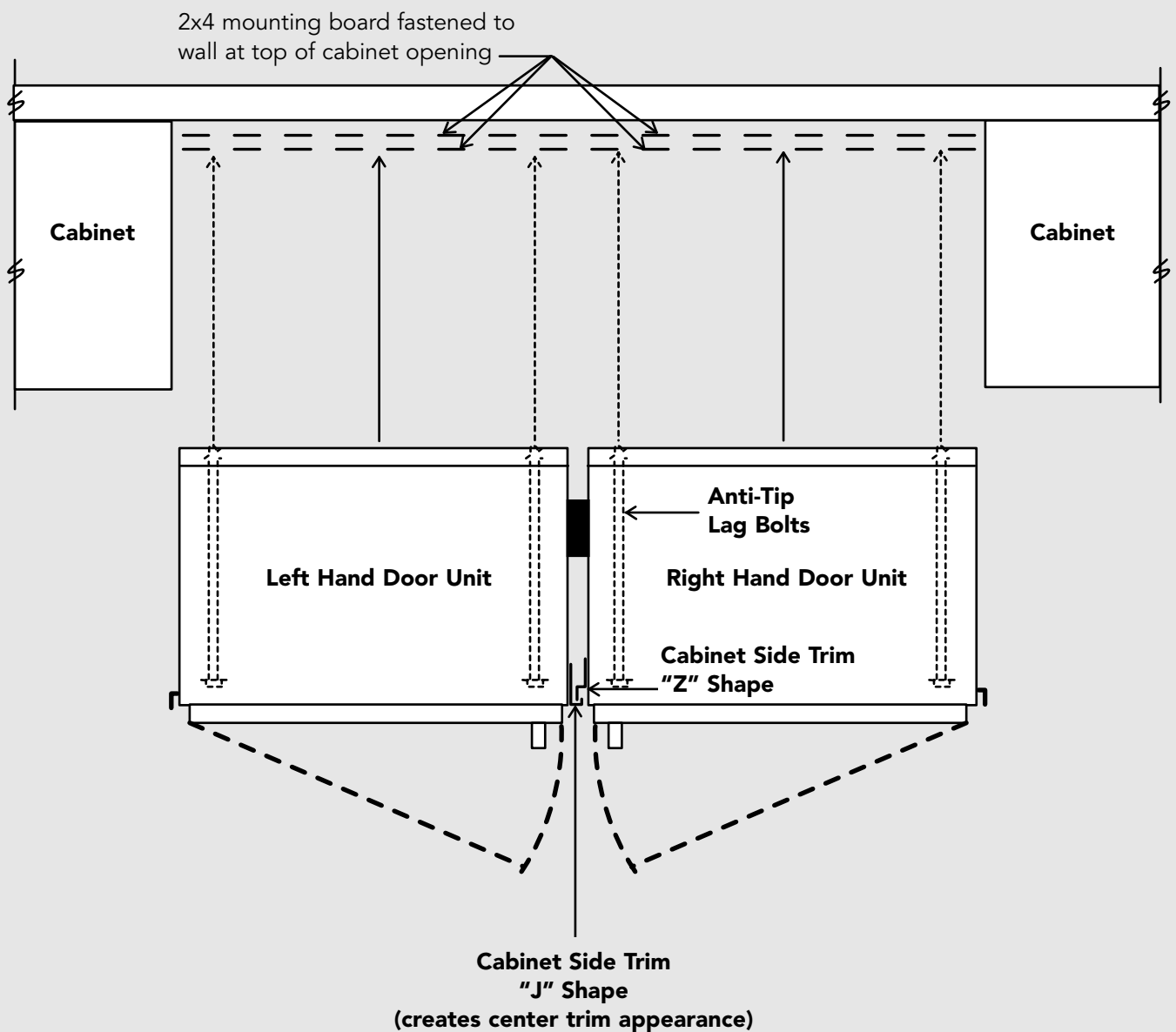
Side/Center Trim Installation - Professional & Professional Integrated Models

- Remove cabinet side trim mounted on the left hand side of the refrigerator to be installed on the right side of the installation. Replace with the "Z" shaped side trim provided in the grille kit.
- For Professional (not including the Integrated line), skip to the next step. Remove cabinet side trim mounted on the right side of the refrigerator to be installed on the left side of the installation. Replace with the "J" shaped side/center trim provided in the grille kit.



Side/Center Trim Installation - Professional & Professional Integrated Models

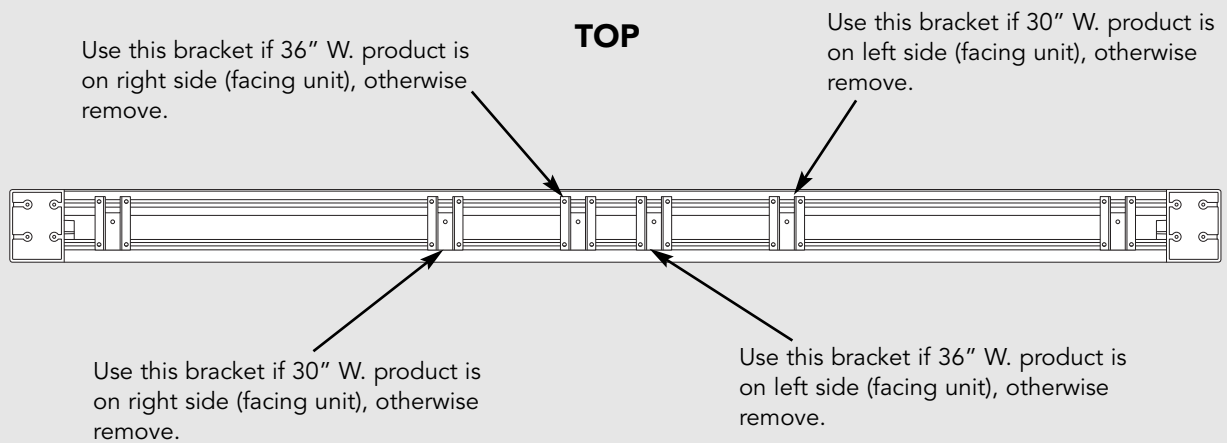
- Engage the right hand refrigerator's left side trim into the "J" shaped portion of the left side refrigerator's right side trim.
- Finish unit installation according to installation instructions provided in each unit.



Grille Assembly Bracket Placement - Professional & Professional Integrated Models

For 66" grille, excluding Custom Panel, Add/Remove brackets to full length grille as required. See illustration below.

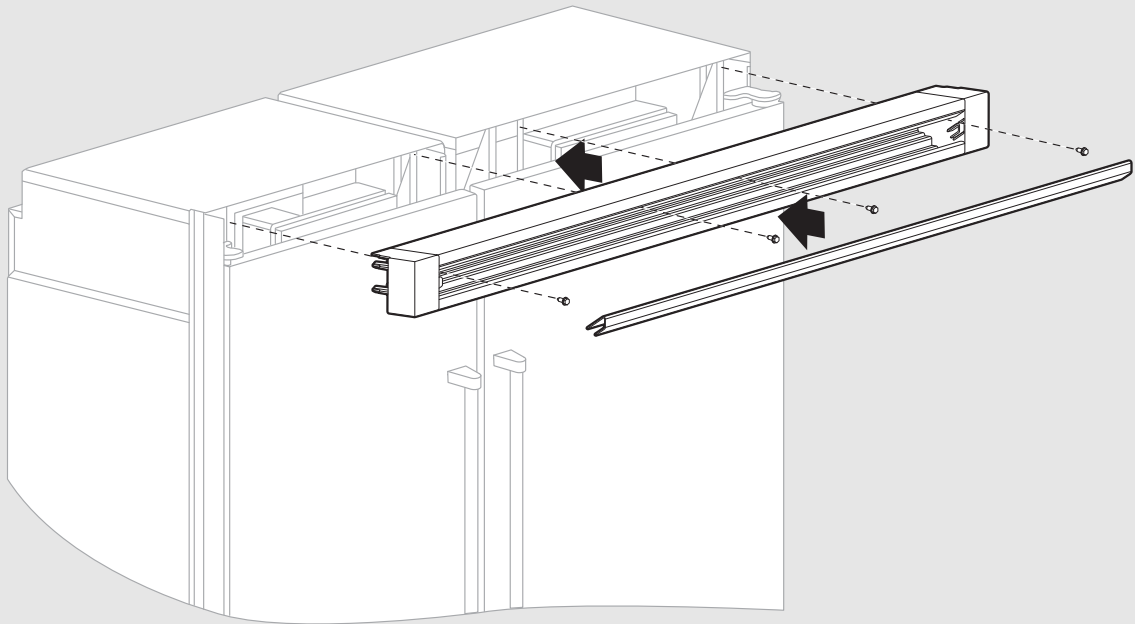
66" Professional/Integrated Grille (back view)



***NOTE:** Depending on unit configuration, two brackets should be removed and discarded. The 72" W. and 60" W. grille assemblies have all four (4) brackets mounted in the proper location.

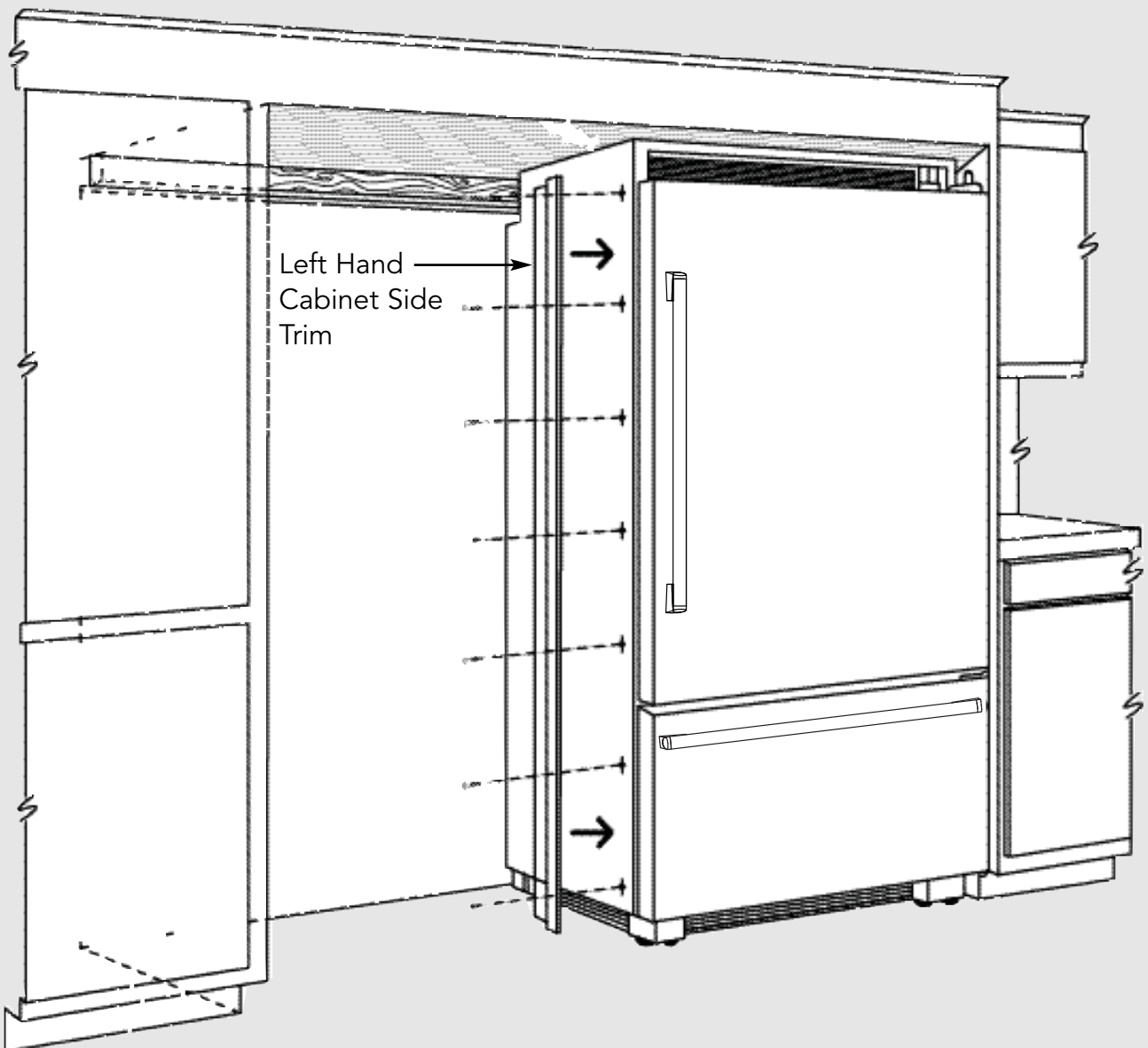
Grille Assembly Install - Professional & Professional Integrated Models

- Remove center grille blade by lifting up and pulling forward.
- Insert grille into refrigerators. Screw grille assembly into units with (4) screws removed in Step 3 (See Grille Removal Section).



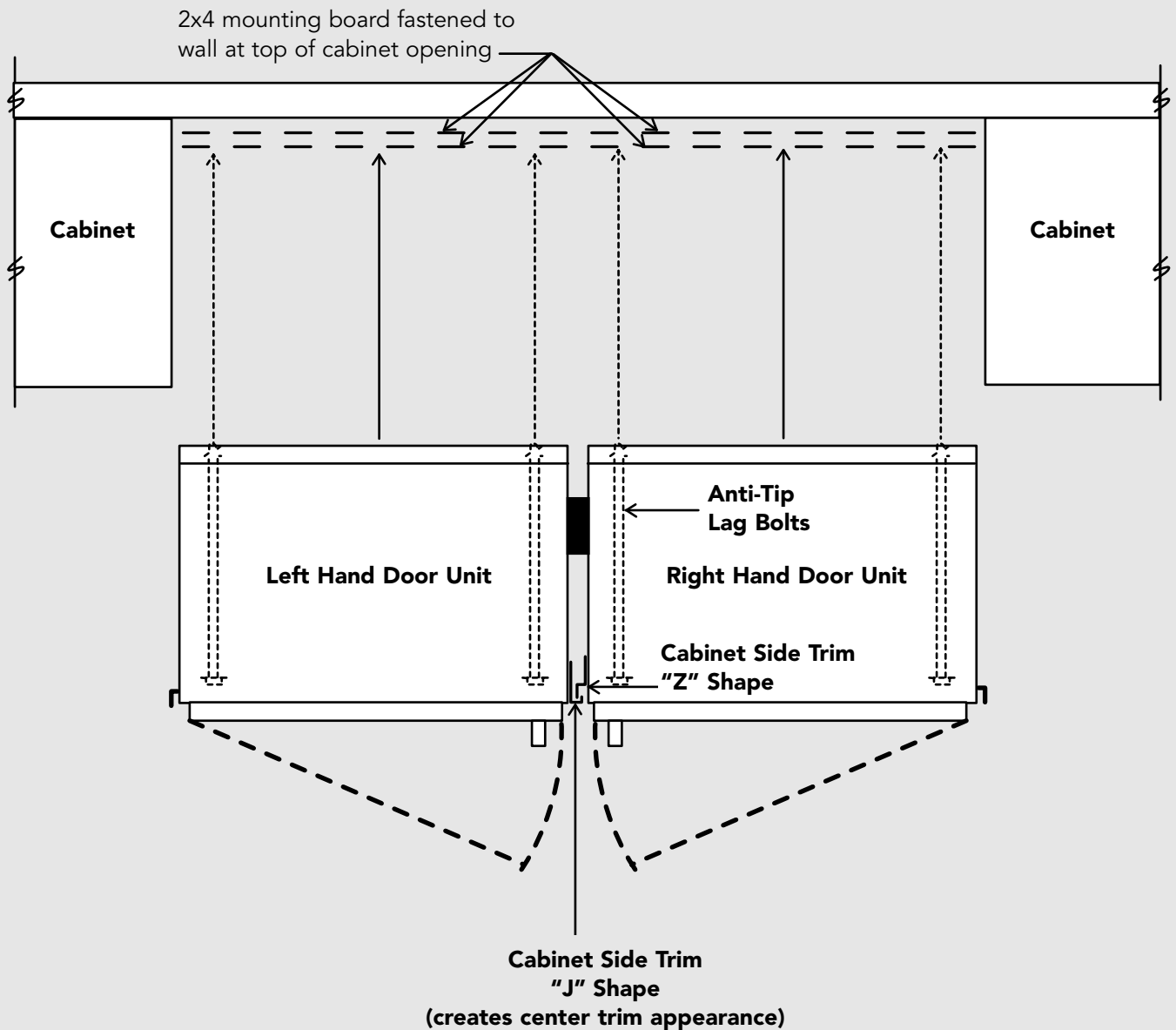
Side/Center Trim Installation - Designer & Custom Panel Models

- Remove cabinet side trim mounted on the left hand side of the refrigerator to be installed on the right side of the installation. Replace with the "Z" shaped side trim provided in the grille kit.
- For Professional (not including the Integrated line), skip to the next step. Remove cabinet side trim mounted on the right side of the refrigerator to be installed on the left side of the installation. Replace with the "J" shaped side/center trim provided in the grille kit.



Side/Center Trim Installation - Designer & Custom Panel Models

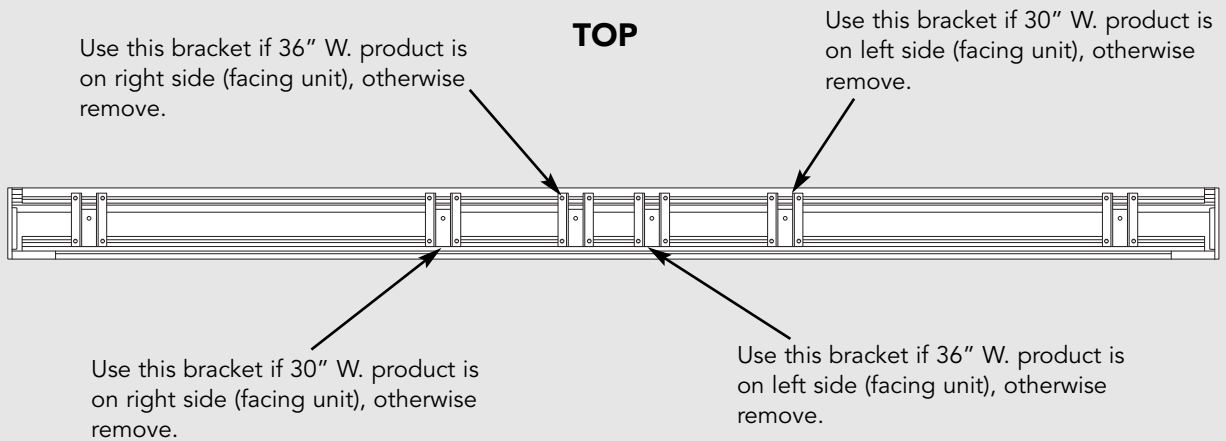
- Engage the right hand refrigerator's left side trim into the "J" shaped portion of the left side refrigerator's right side trim.
- Finish unit installation according to installation instructions provided in each unit.



Grille Assembly Bracket Placement - Designer Models

For 66" grille, excluding Custom Panel, Add/Remove brackets to full length grille as required. See illustration below.

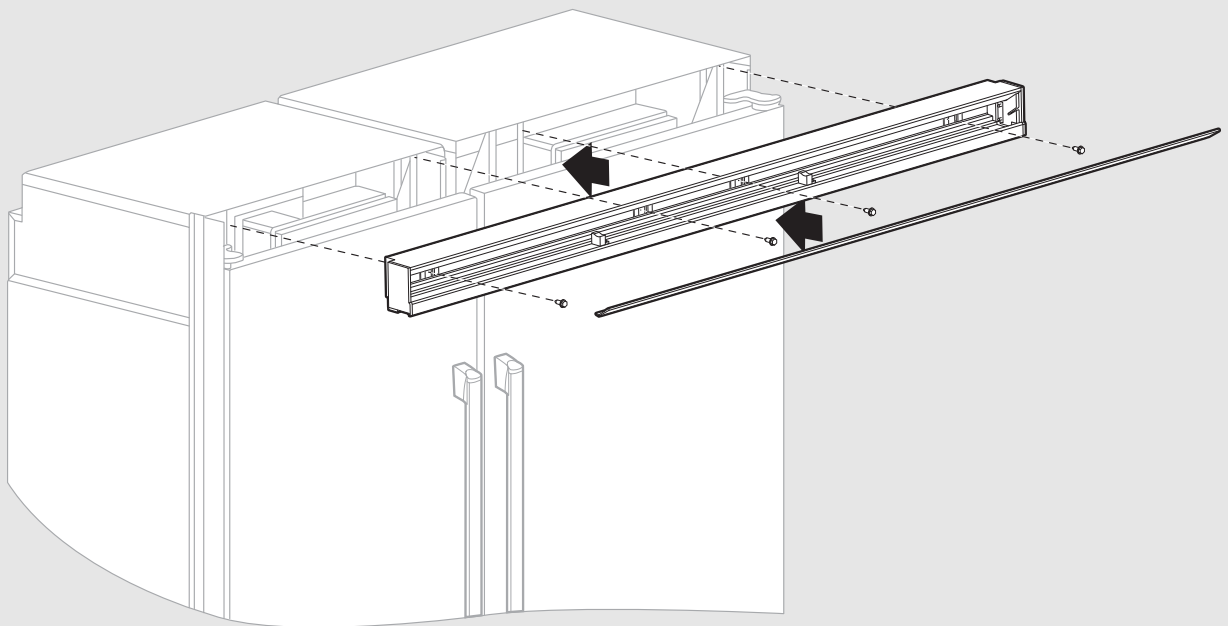
66" Designer Grille (back view)



***NOTE:** Depending on unit configuration, two brackets should be removed and discarded. The 72" W. and 60" W. grille assemblies have all four (4) brackets mounted in the proper location.

Grille Assembly Install - Designer Models

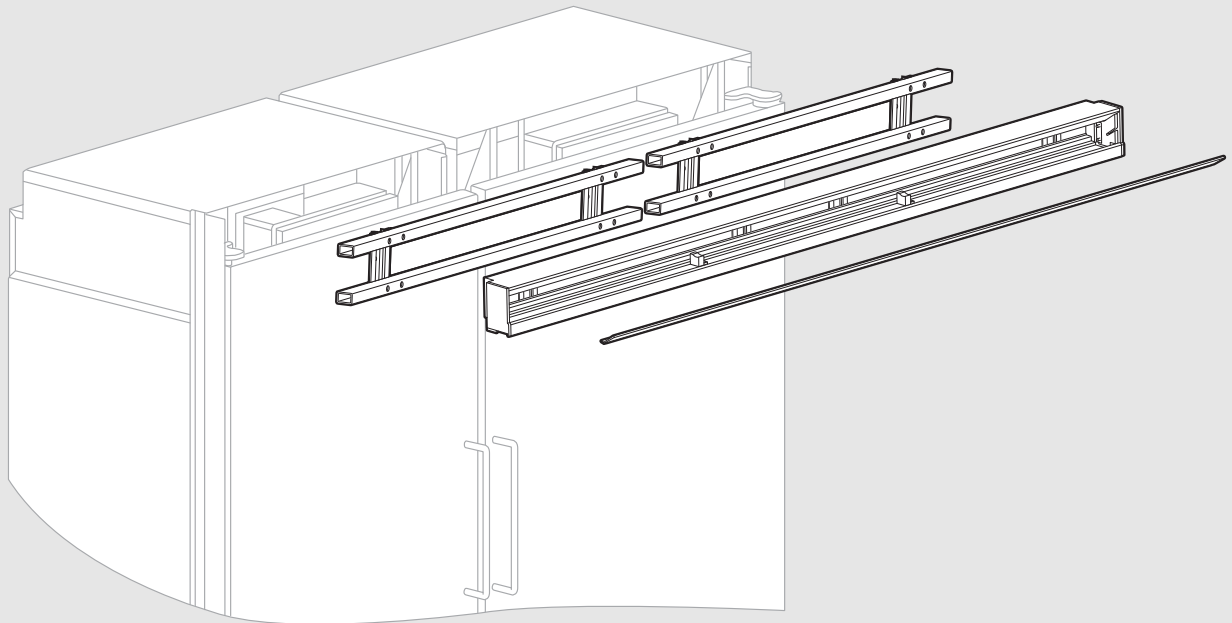
- Remove center grille blade by lifting up and pulling forward.
- Insert grille into refrigerators. Screw grille assembly into units with (4) screws removed in Step 3 (See Grille Removal Section).



Grille Assembly - Custom Panel Models

On Custom Panel models, grill spacers from original unit grilles must be reused:

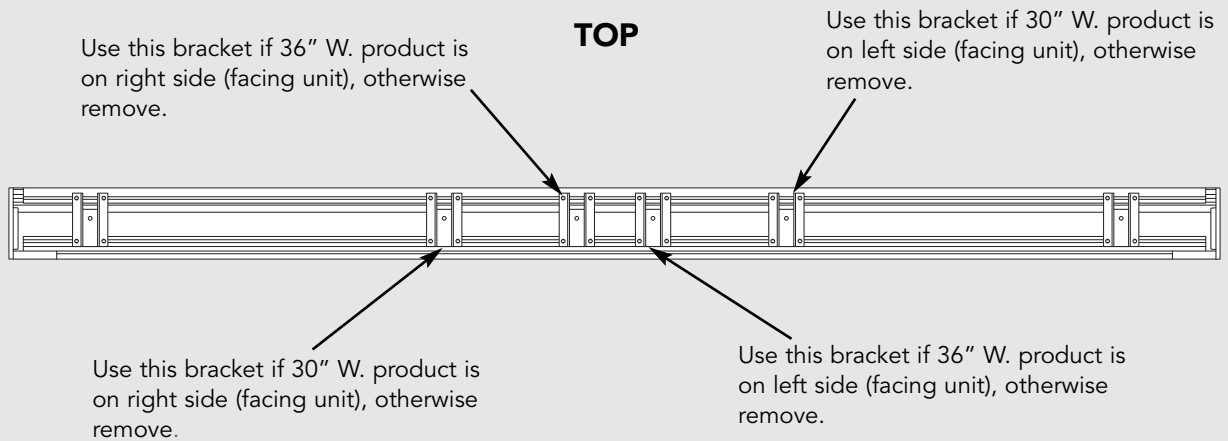
- Remove grille brackets from grille included in the grille kit by removing 4 screws on each grille bracket located on the back of the grille assembly.
- Remove grille brackets and spacers from original unit grilles by removing 4 screws on each grille bracket located on the back of each grille assembly.
- Install grille brackets and spacers from original unit grilles onto grille from the kit using the original grille hardware. **Important:** *The spacers must be oriented on the new grille the same way they were on the original grille. Also, remember to install the spacers on the corresponding side of the installation (if installing a unit on the left side of an installation, its grille spacers should be installed on the left side of the unified grille.)*



Grille Assembly Bracket Placement - Custom Panel Models

For 66" grille, excluding Custom Panel, Add/Remove brackets to full length grille as required. See illustration below.

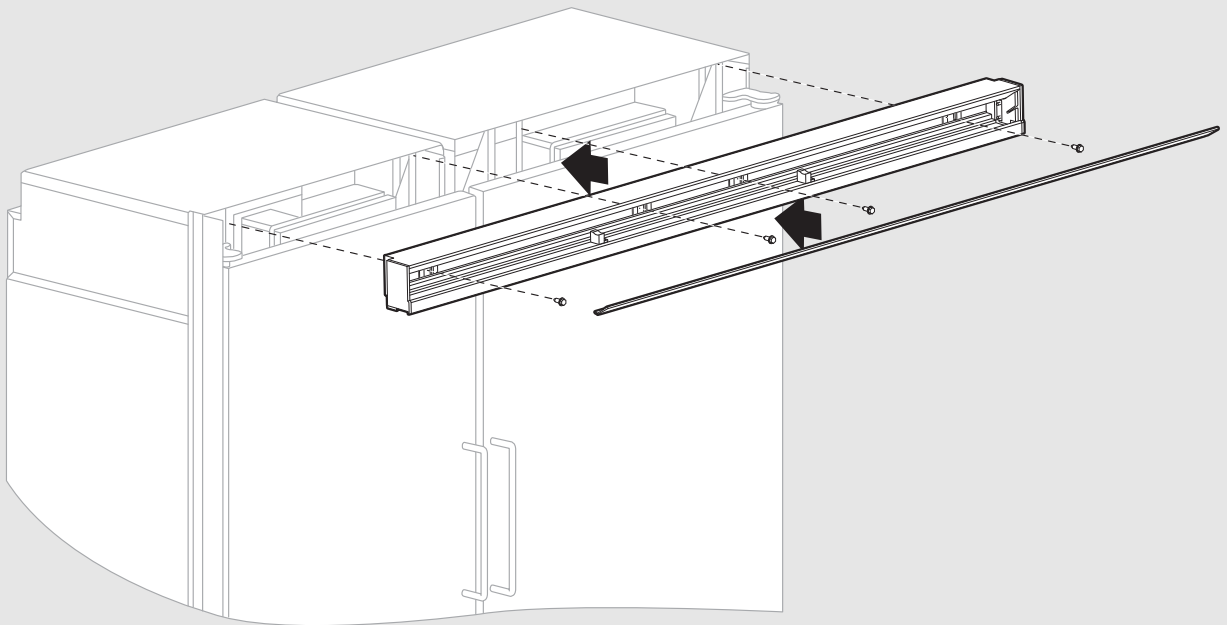
66" Custom Grille (back view)

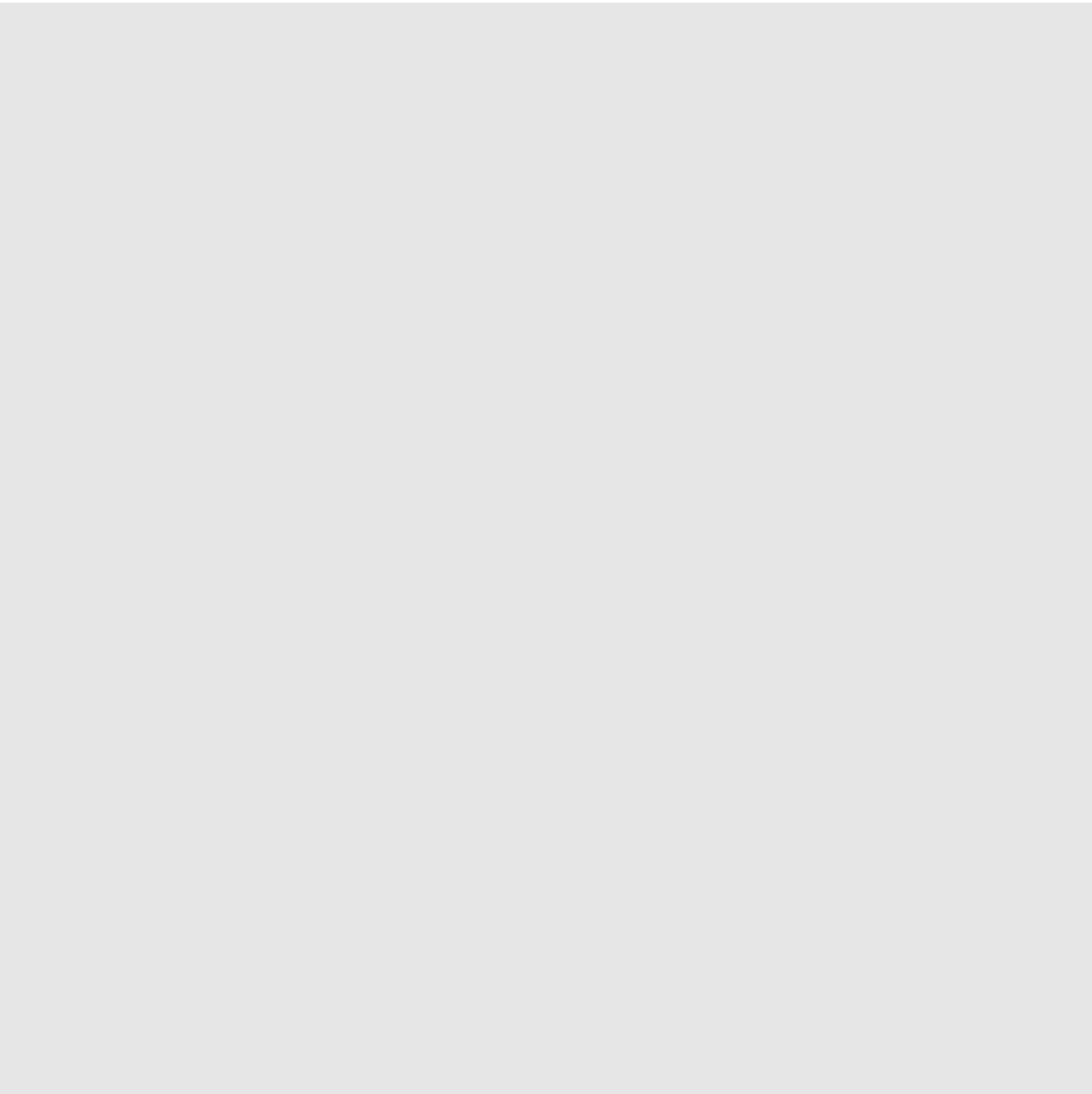


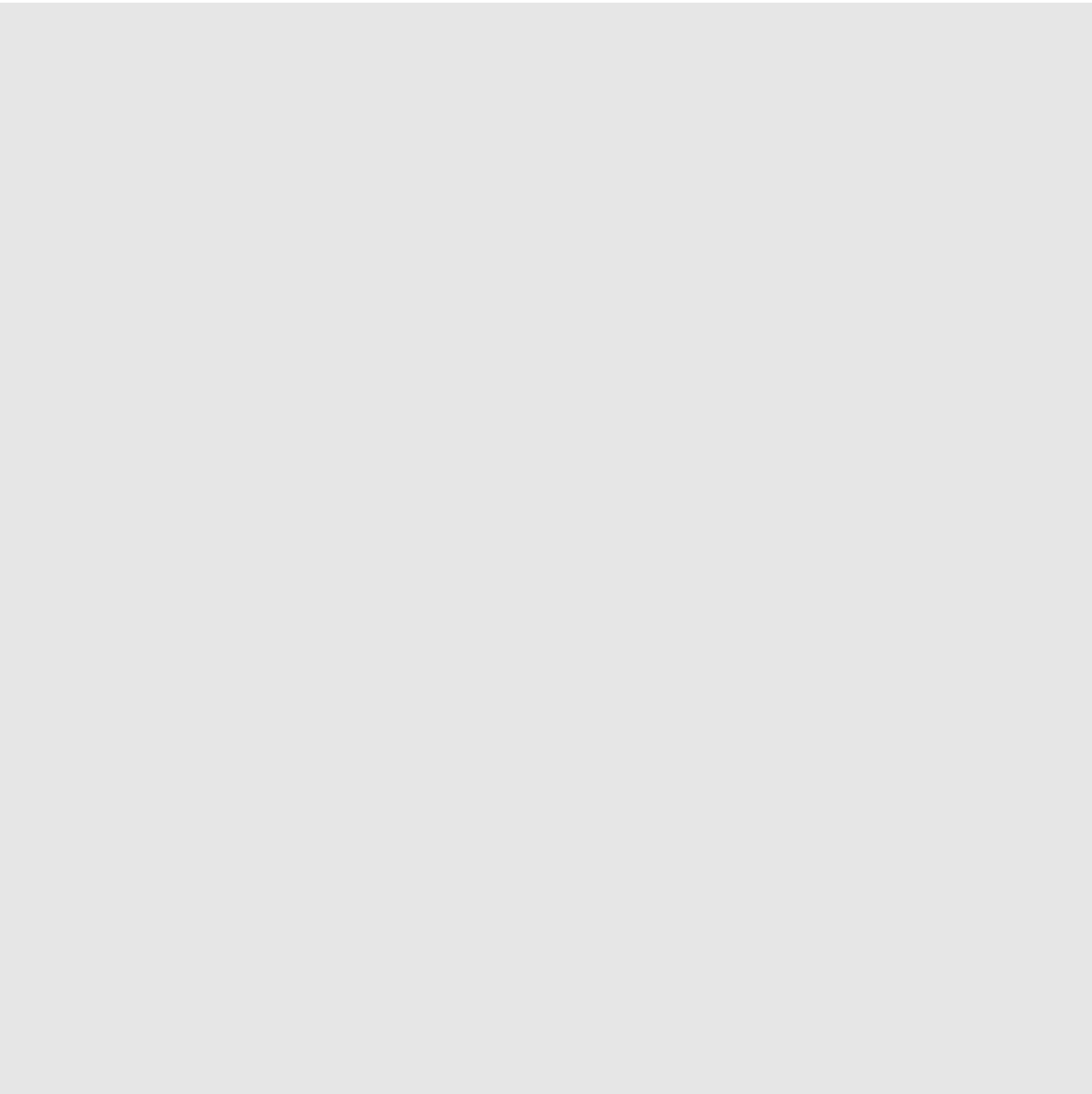
***NOTE:** Depending on unit configuration, two brackets should be removed and discarded. The 72" W. and 60" W. grille assemblies have all four (4) brackets mounted in the proper location.

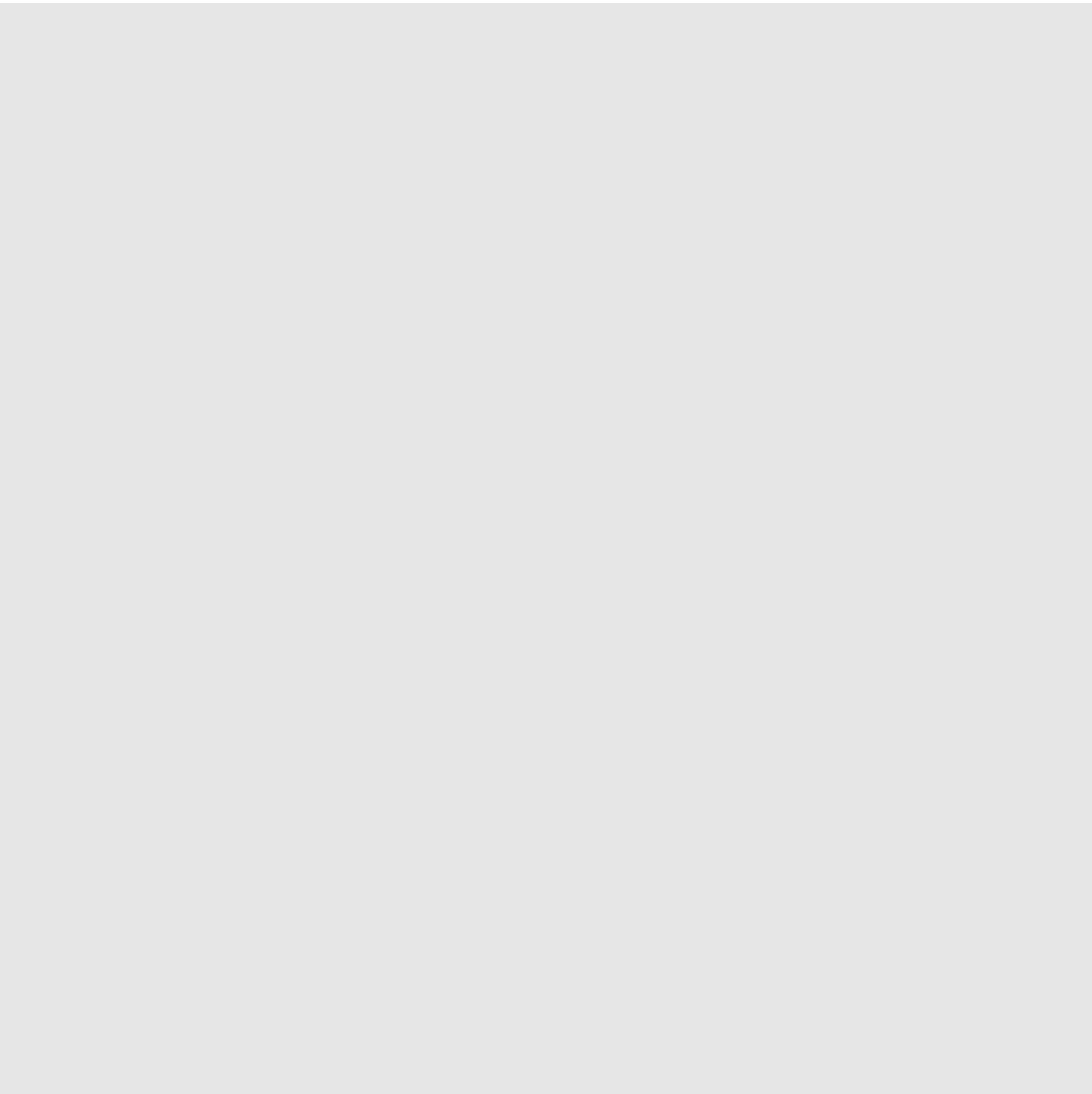
Grille Assembly Install - Custom Panel Models

- Remove center grille blade by lifting up and pulling forward.
- Insert grille into refrigerators. Screw grille assembly into units with (4) screws removed in Step 3 (See Grille Removal Section).









Viking Range, LLC
111 Front Street
Greenwood, Mississippi 38930 USA
(662) 455-1200

For product information,
call 1-888-845-4641.