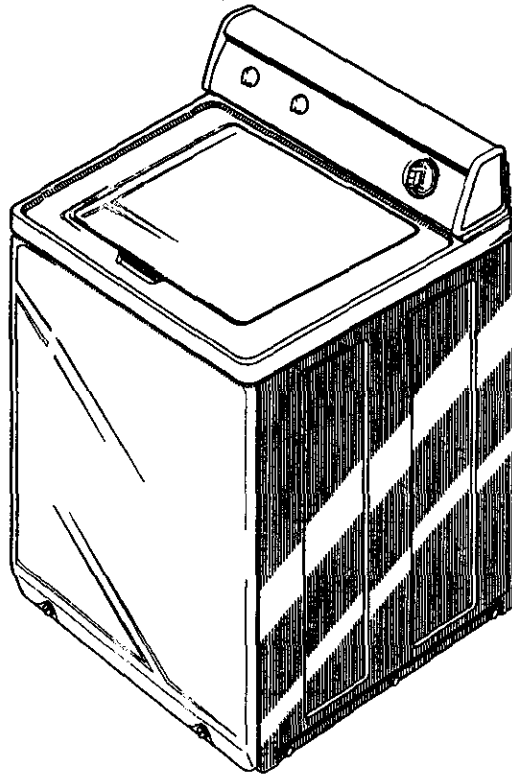


# Service

## Manual for Automatic Washers

Service Manual for  
Amana®



W424SE1A

This manual is to be used by qualified appliance technicians only. Amana does not assume any responsibility for property damage or personal injury for improper service procedures done by an unqualified person.

**Amana**

Models and manufacturing numbers in this manual

LWA50AL	PLWA50AL
LWA50AW	PLWA50AW
LWA65AL	PLWA65AL
LWA65AW	PLWA65AW
LWA90AL	PLWA90AL
LWA90AW	PLWA90AW
LWD67AL	PLWD67AL
LWD67AW	PLWD67AW
LWD70AL	PLWD70AL
LWD70AW	PLWD70AW

RS3100006  
Revision 1  
39011  
April 1999



# WARNING

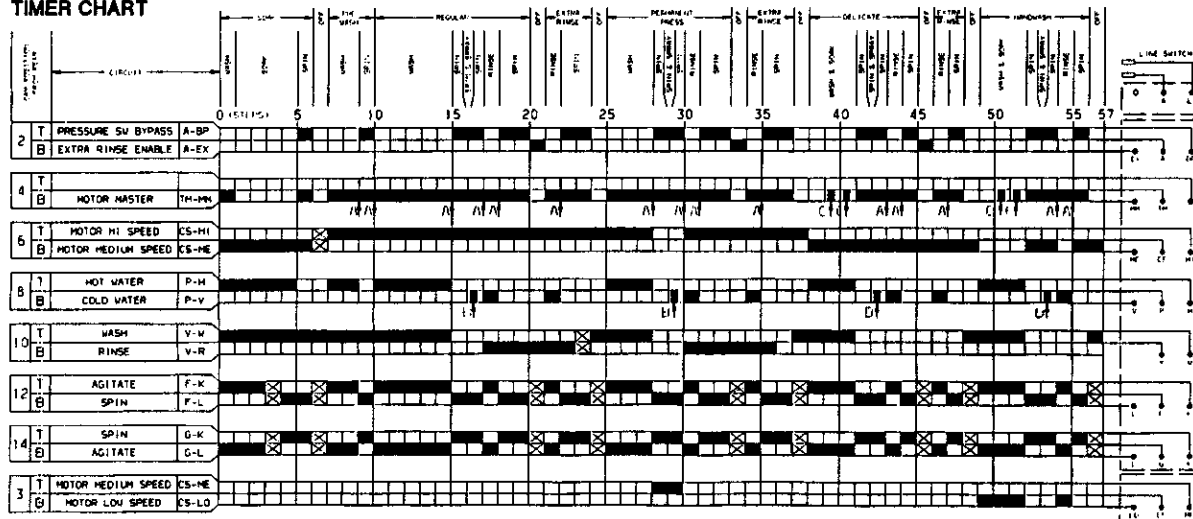
Failure to install, maintain, and/or operate this machine according to the manufacturer's instructions may result in conditions which can produce bodily injury and/or property damage.

W030

MODELS LWD70A\*

11-9

## TIMER CHART



KEY

- "A" MOTOR OFF APPROX. 24 SECONDS
- "B" WATER ON APPROX. 24 SECONDS
- "C" MOTOR ON APPROX. 24 SECONDS
- "D" WATER ON APPROX. 22 SECONDS
- ONE STEP EQUALS APPROX. 180 SEC

WIRE HOUSING WIRE POSITION

1	2	3	4
5	6	7	8
9	10	11	12
13	14	15	16
17	18	19	20
21	22	23	24
25	26	27	28
29	30	31	32
33	34	35	36
37	38	39	40
41	42	43	44
45	46	47	48
49	50	51	52
53	54	55	56
57	58	59	60
61	62	63	64
65	66	67	68
69	70	71	72
73	74	75	76
77	78	79	80
81	82	83	84
85	86	87	88
89	90	91	92
93	94	95	96
97	98	99	100

THIS MACHINE WHEN PATCHED UNDER THE 60 PAH IN THE FOLLOWING PATCHES: PATCHES 1, 2, 3, 4, 5, 6, 7, 8, 9, 10, 11, 12, 13, 14, 15, 16, 17, 18, 19, 20, 21, 22, 23, 24, 25, 26, 27, 28, 29, 30, 31, 32, 33, 34, 35, 36, 37, 38, 39, 40, 41, 42, 43, 44, 45, 46, 47, 48, 49, 50, 51, 52, 53, 54, 55, 56, 57, 58, 59, 60, 61, 62, 63, 64, 65, 66, 67, 68, 69, 70, 71, 72, 73, 74, 75, 76, 77, 78, 79, 80, 81, 82, 83, 84, 85, 86, 87, 88, 89, 90, 91, 92, 93, 94, 95, 96, 97, 98, 99, 100.

CONTACT IS OPEN  
 CONTACT IS CLOSED  
 CONTACT IS OPEN IN OTHER PATCHES

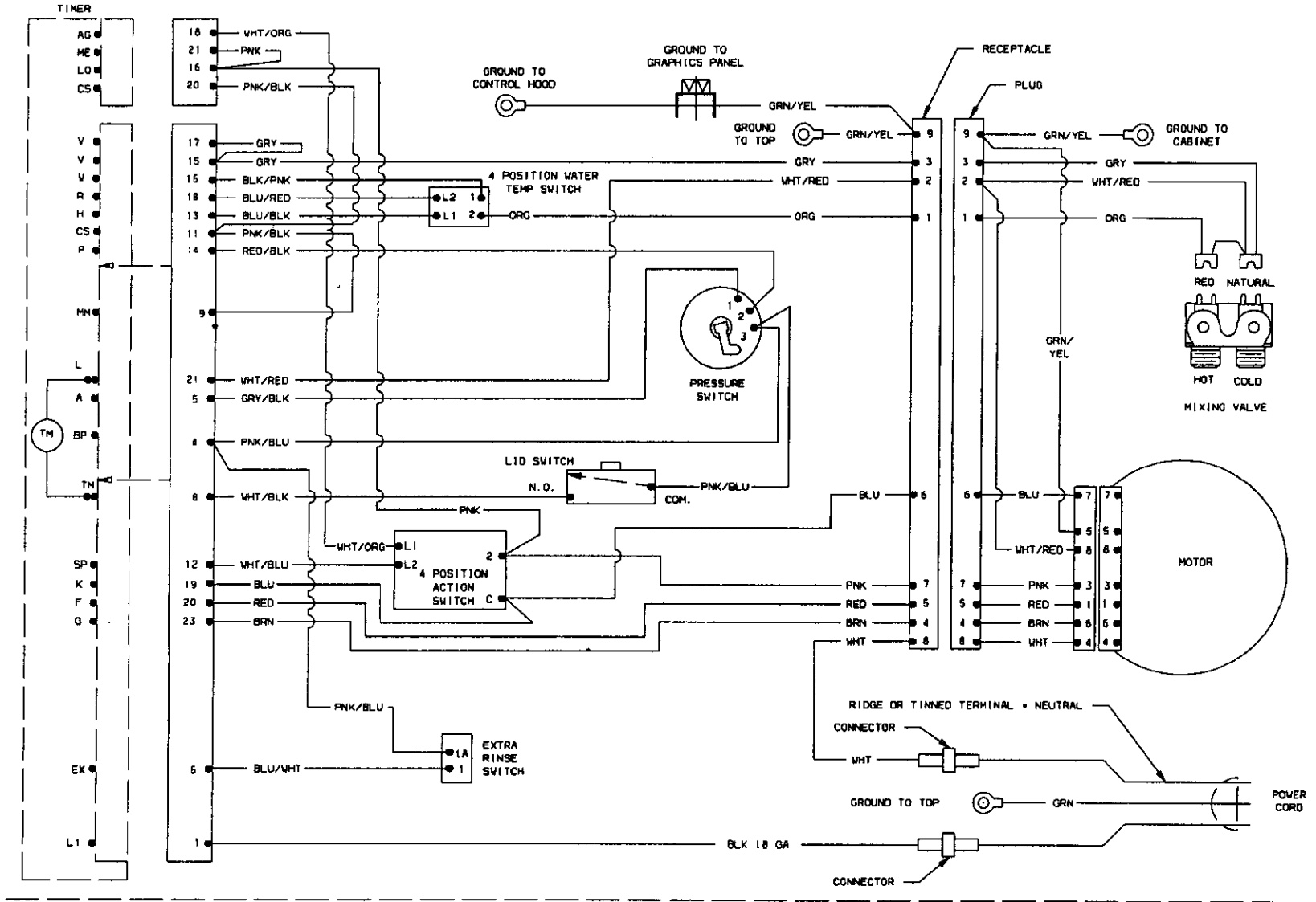
WIRE HOUSING WIRE POSITION



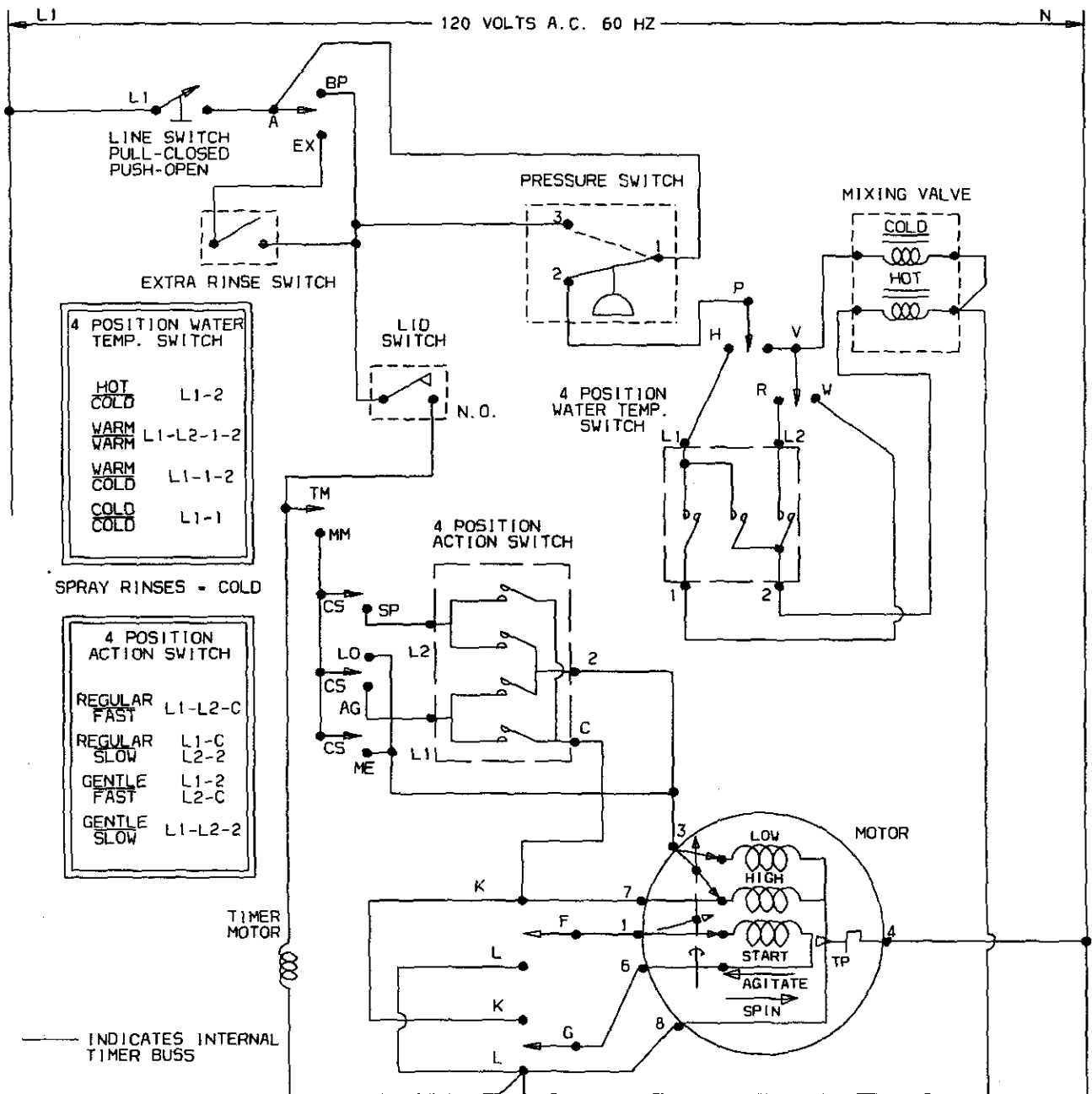
MODELS LW65A\*, LWD67A\*

11-10

# CONNECTION DIAGRAM



# SCHEMATIC



**WARNING**

Failure to install, maintain, and/or operate this machine according to the manufacturer's instructions may result in conditions which can produce bodily injury and/or property damage.

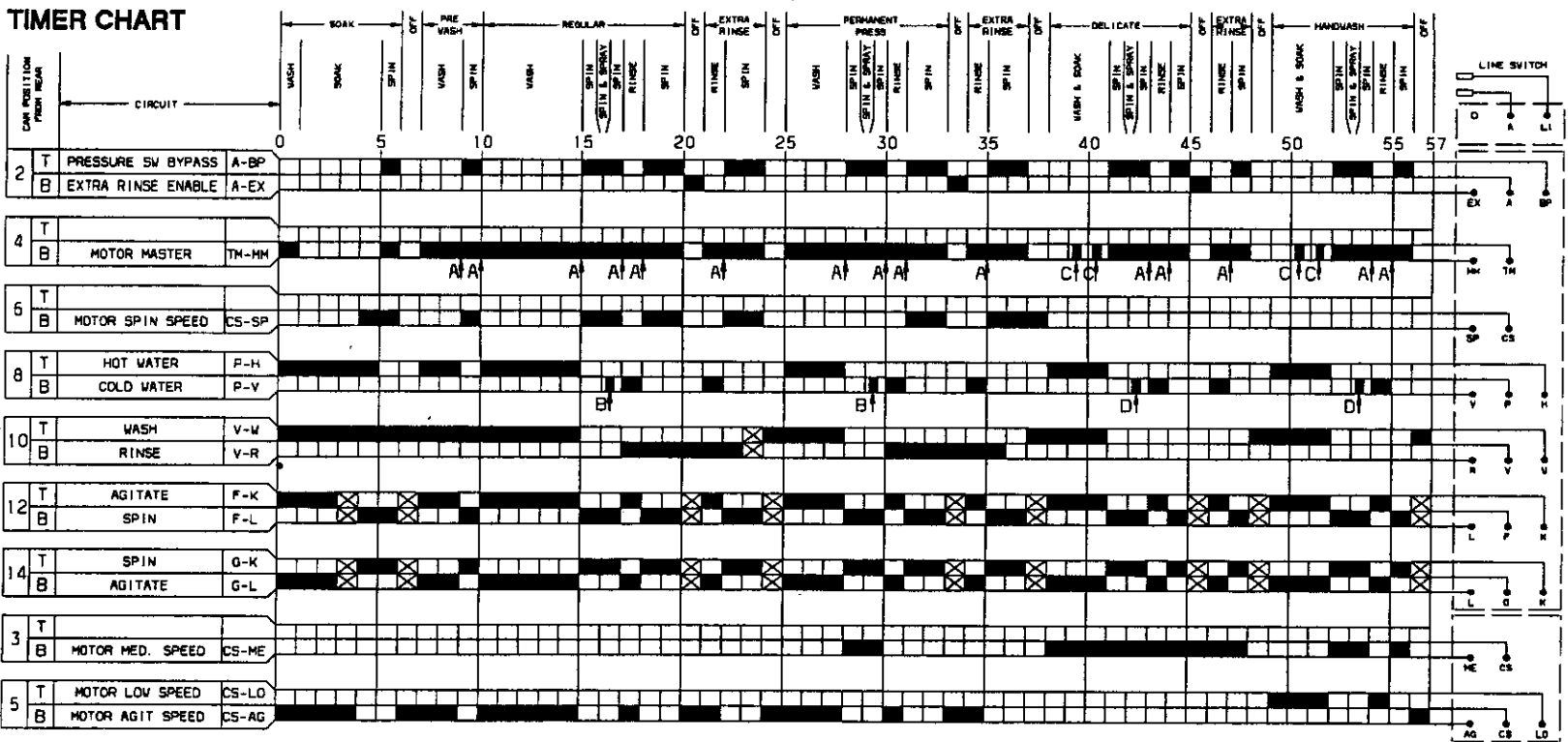
W030

MODELS LWA65A\*, LWD67A\*

11-11

RS310006 (39011)  
Rev. 0

# TIMER CHART



BLACK HOUSING WIRE POSITION

3	2	1
BLU/ WHT	GRY/ BLK	BLK
6	5	4
BLU/ WHT	GRY/ BLK	PNK/ BLU
9	8	7
PNK/ BLK	WHT/ BLK	
12	11	10
WHT/ BLU	PNK/ BLK	
15	14	13
GRY	RED/ BLK	BLU/ BLK
16	17	18
BLU/ RED	GRY	BLK/ PNK
21	20	19
WHT/ RED	RED	BLU
24	23	22
	BRN	
21	20	19
PNK	PNK/ BLK	
18	17	16
WHT/ GRN		PNK

WHITE HOUSING WIRE POSITION

NOTES:  
 \*A MOTOR OFF APPROX. 24 SECONDS  
 \*B MOTOR ON APPROX. 24 SECONDS  
 \*C MOTOR ON APPROX. 24 SECONDS  
 \*D MOTOR ON APPROX. 22 SECONDS  
 \*E STOP EQUALS APPROX. 1.80 SEC

**WARNING**  
 FAILURE TO FOLLOW THE SAFETY INSTRUCTIONS may result in personal injury or property damage.  
 Always use proper safety practices when using this product.

THIS MACHINE MANUFACTURED UNDER ONE OR MORE OF THE FOLLOWING PATENTS:  
 UNITED STATES NO. 3,253,974,  
 3,829,795; 3,646,648  
 CANADIAN NO. 1,009,285,  
 994,146  
 OTHER PATENTS PENDING

CONTACTS OPEN  
 CONTACTS CLOSED  
 CONTACTS CAN BE OPEN OR CLOSED  
 NOTE: CS-ME AND CS-LO CONTACTS BOTH CONNECT TO LOW SPEED MOTOR WINDINGS ON THIS MODEL.

**PART NO. 39818**

**MODELS LVA65A\*, LWD67A\***

11-12

RS3100006 (39011)  
 Rev. 0



# Notes

