

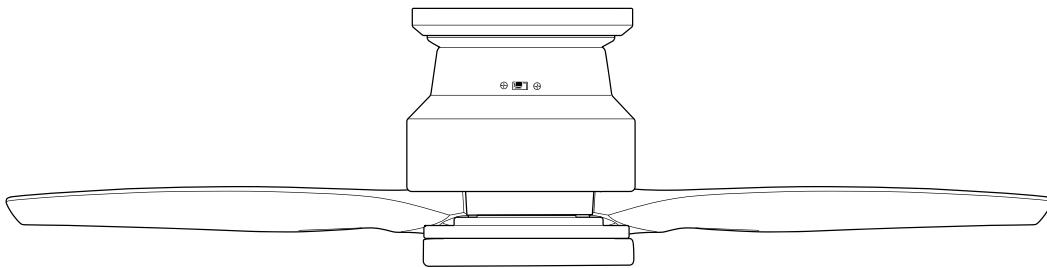
ITEM #1596996

FAIRWIND HUGGER LED CEILING FAN

MODEL #FWH60BNK3LRS

Español p. 18

ATTACH YOUR RECEIPT HERE



APPROVED FOR USE IN
DAMP LOCATIONS

Purchase Date _____



Questions, problems, missing parts? Before returning to your retailer, call our customer service department at **1-800-527-1292**, 8:30 a.m. - 5 p.m., CST, Monday - Friday.

TABLE OF CONTENTS

Safety Information	2
Package Contents	4
Hardware Contents	5
Preparation	5
Initial Installation	5
Wiring	7
Final Installation	9
Operating Instructions	13
Care and Maintenance	16
Troubleshooting.....	16
Limited Lifetime Warranty	17
Replacement Parts List	17



SAFETY INFORMATION

READ AND SAVE THESE INSTRUCTIONS

- Do not discard fan carton or foam inserts. Should this fan need to be returned to the factory for repairs, it must be shipped in its original packaging to ensure proper protection against damage that might exceed the initial cause for return.
- Make sure all electrical connections comply with local codes, ordinances, the National Electrical Code and ANSI/NFPA 70-1999. Hire a qualified electrician or consult a do-it-yourself wiring handbook, available at Lowe's, if you are unfamiliar with installing electrical wiring.
- Make sure the installation site you choose allows a minimum clearance of 7 ft. from the blades to the floor and at least 30 in. from the end of the blades to any obstruction.
- After you install the fan, make sure all connections are secure to prevent the fan from falling.
- The net weight of this fan including the light kit is: 20.29 lbs.

DANGER

When using an existing outlet box, make sure the outlet box is securely attached to the building structure and can support the full weight of the fan. Failure to do this can result in serious injury or death. The stability of the outlet box is essential in minimizing wobble and noise in the fan after installation is complete.

To reduce the risk of serious bodily injury, DO NOT use power tools to assemble any part of the fan, including the blades.

WARNING



To reduce the risk of fire, electrical shock or personal injury, mount fan to outlet box marked "ACCEPTABLE FOR FAN SUPPORT OF 35 LBS. OR LESS" and use mounting screws provided with the outlet box. Most outlet boxes commonly used for the support of lighting fixtures are not acceptable for fan support and may need to be replaced. Consult a qualified electrician if in doubt.

When mounting fan to a ceiling outlet box, use a METAL octagonal outlet box; do NOT use a plastic outlet box. Secure the outlet box directly to the building structure. The outlet box and its support must be able to support the moving weight of the fan (at least 35 lbs.).

To avoid personal injury, the use of gloves may be necessary while handling fan parts with sharp edges.

To reduce the risk of fire, electrical shock or personal injury, wire connectors provided with this fan are designed to accept only one 12-gauge house wire and two lead wires from the fan. If your house wire is larger than 12-gauge or there is more than one house wire to connect to the corresponding fan lead wires, consult an electrician for the proper size wire connectors to use.

To reduce the risk of fire or electrical shock, do not use the fan with any solid-state speed control device or control fan speed with a full range dimmer switch.

To reduce the risk of fire, electrical shock or personal injury, do not bend the blades when installing or balancing them, or cleaning the fan. Do not insert objects between the rotating fan blades.

To reduce the risk of personal injury, use *only* parts provided with this fan. The use of parts *OTHER* than those provided with this fan will void the warranty.

Before proceeding, be sure to shut off electricity at main switch or circuit breaker in order to avoid electrical shock.

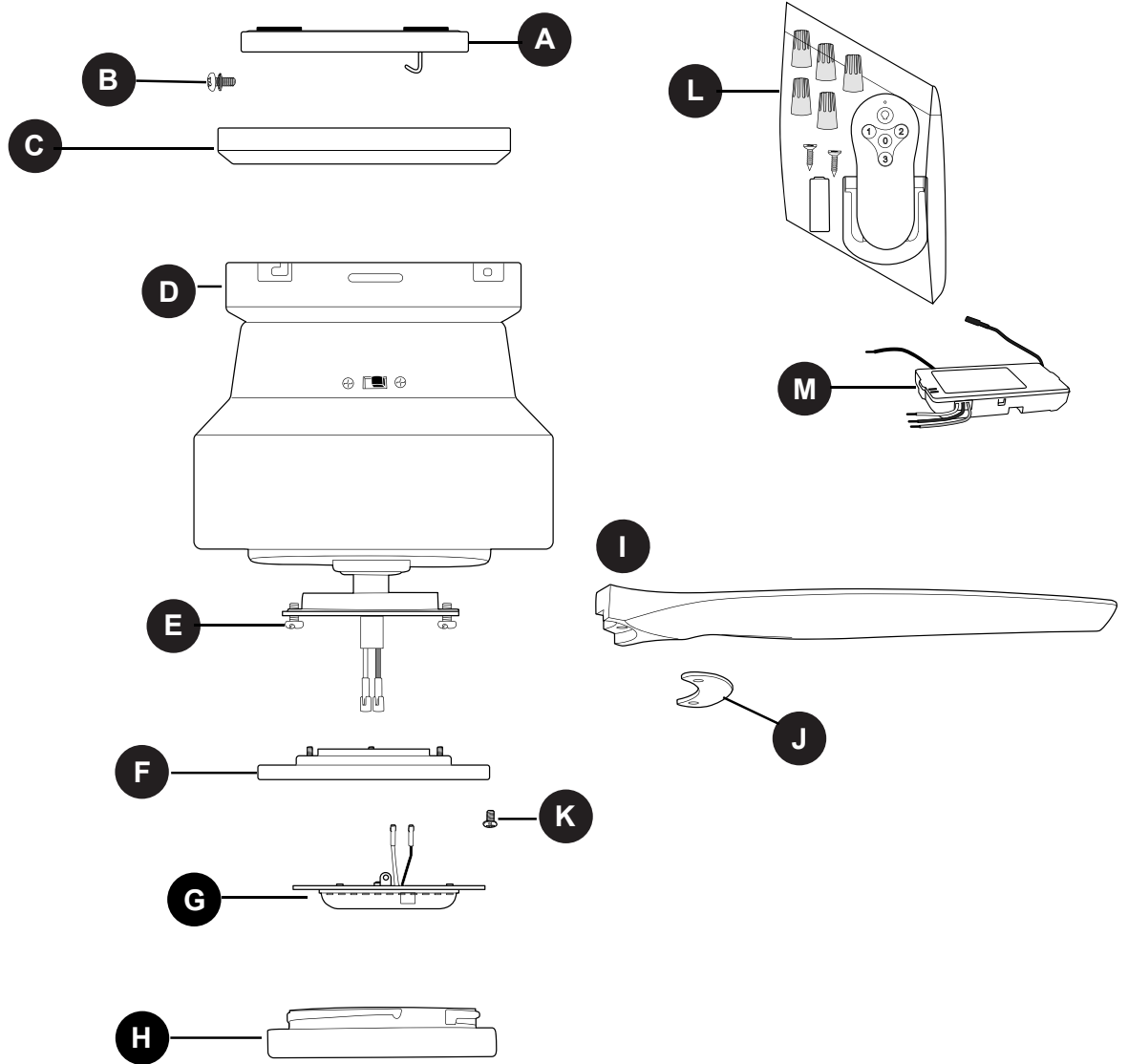
CAUTION

Be sure outlet box is properly grounded and that a ground wire (green or bare) is present.

Before beginning installation, carefully check all screws, bolts and nuts on fan motor assembly to ensure that they are secured.

Do NOT tamper with or attempt to repair LED component. The light source is designed for this specific application and should not be serviced by untrained personnel. If any servicing is required, call our customer service department.

PACKAGE CONTENTS



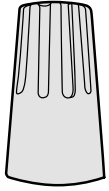
PART	DESCRIPTION	QUANTITY
A	Mounting Plate	1
B	Mounting Plate Screw/Washer (preassembled)	4
C	Ring	1
D	Motor Housing	1
E	Motor Plate Screw (preassembled)	3
F	Fitter Plate	1

PART	DESCRIPTION	QUANTITY
G	LED Light Kit	1
H	Shade	1
I	Blade	3
J	Blade Plate	3
K	Fitter Plate Screw (preassembled)	3
L	Remote Pack	1
M	Remote Control Receiver	1

! IMPORTANT REMINDER: You must use the parts provided with this fan for proper installation and safety.

HARDWARE CONTENTS (shown actual size)

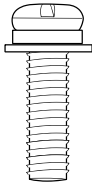
AA



Wire
Connector

Qty. 3
+ 1 extra

BB



Motor
Screw/Washer

Qty. 6
+ 1 extra

PREPARATION

Before beginning assembly of product, make sure all parts are present. Place motor on carpet or on foam to avoid damage to finish. Compare parts with package contents list and hardware contents list. If any part is missing or damaged, do not attempt to install, operate or assemble the product.

Estimated Assembly Time: 120 minutes

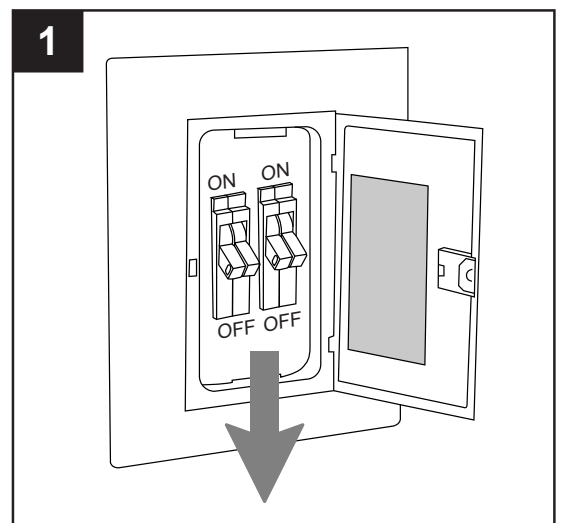
Tools Required for Assembly (not included): Electrical Tape, Phillips Screwdriver, Pliers, Safety Glasses, Stepladder and Wire Strippers

Helpful Tools (not included): AC Tester Light, Tape Measure, Do-It-Yourself Wiring Handbook and Wire Cutters

INITIAL INSTALLATION

1. Turn off circuit breakers or fuse and wall switch to the fan supply line leads.

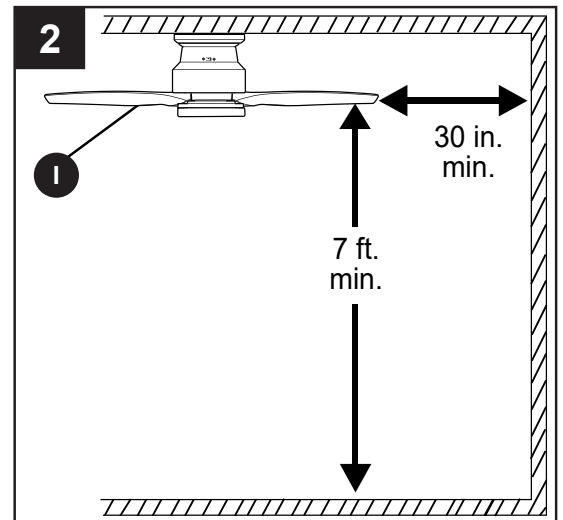
⚠ DANGER: Failure to disconnect power supply prior to installation may result in serious injury or death.



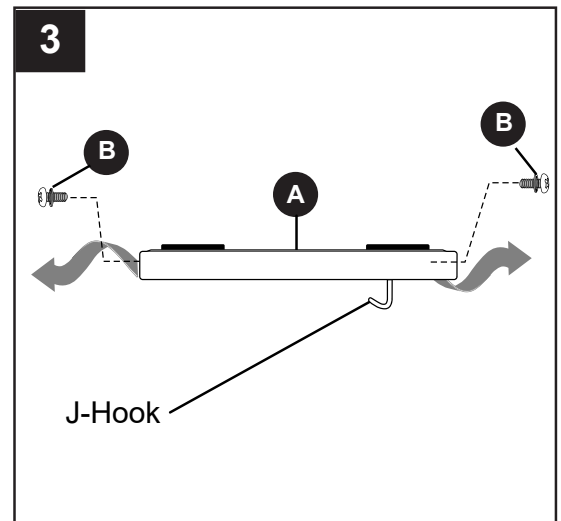
INITIAL INSTALLATION

- This fan can be mounted as a **flushmount** on a regular (no-slope) ceiling only.

Check to make sure blades (I) will be at least 30 inches from any obstruction and at least 7 ft. above the floor.



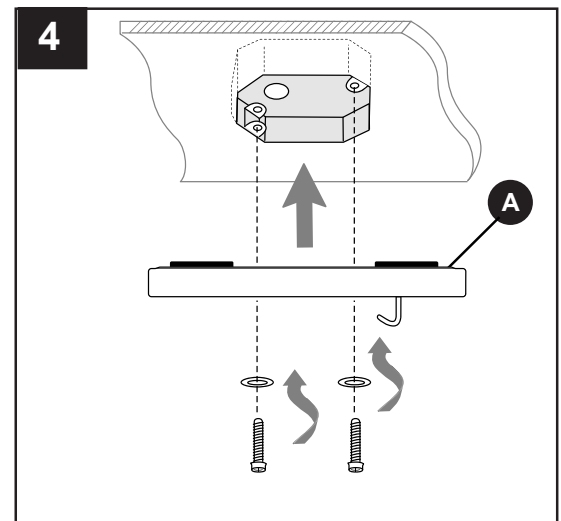
- Remove mounting plate screw/washer (B) on outer edge of mounting plate (A) that is closest to the J-hook. Remove mounting plate screw/washer (B) on outer edge of mounting plate (A) directly opposite the one was just removed. Partially loosen the other two mounting plate screw/washers (B). Save mounting plate screw/washers (B) for later use.



- Secure mounting plate (A) to outlet box using screws, spring washers, and flat washers provided with the outlet box.

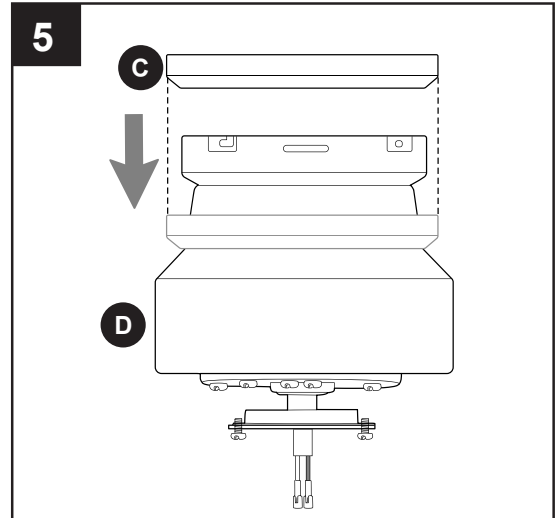
***NOTE:** It is very important you use the proper hardware when installing the mounting plate (A) as this will support the fan.

Pull electrical wiring from outlet box through center hole in the mounting plate (A).



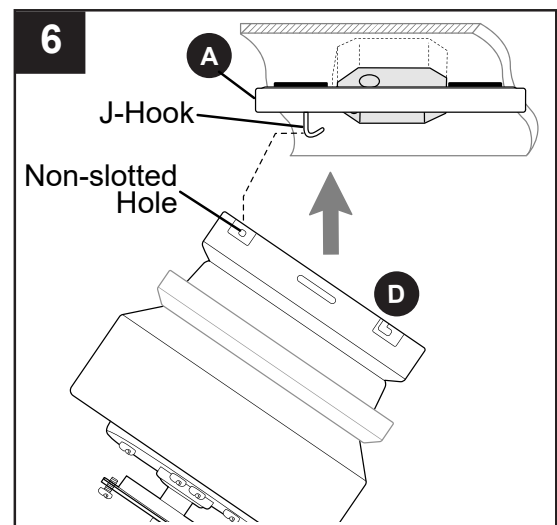
INITIAL INSTALLATION

5. With wider opening facing up, place ring (C) over **top** of motor housing (D). Allow ring (C) to rest on top of motor, proceed to step 6.



6. Lift motor housing (D) to mounting plate (A). Hang motor housing (D) on J-hook on underside of mounting plate (A). [**IMPORTANT:** Use one of the non-slotted holes on the rim of the motor housing to do so.]

This will allow motor housing (D) to hang out of the way while wiring.



WIRING

⚠ WARNING: To reduce the risk of fire, electrical shock or personal injury, wire connectors provided with this fan are designed to accept only one 12-gauge house wire and two lead wires from the fan. If your house wire is larger than 12-gauge or there is more than one house wire to connect to the corresponding fan lead wires, consult an electrician for the proper size wire connectors to use.

⚠ CAUTION: Be sure outlet box is properly grounded and that a ground (green or bare) wire is present.

⚠ WARNING: If house wires are different colors than referred to in the following steps, stop immediately. A professional electrician is recommended to determine wiring.

⚠ WARNING: Using a full range dimmer switch (not included) to control fan speed will cause a loud humming noise from fan. To reduce the risk of fire or electrical shock, do NOT use a full range dimmer switch to control fan speed.

WIRING

1. Make the necessary wiring connections for remote control operation as detailed below and in the figure. For each wire connection, use one of the wire connectors (AA), (L), making sure to screw wire connector on in a clockwise direction.

CAUTION: Assistance from another person is recommended for this step.

Connect all GROUND (GREEN) wires together from fan and mounting plate (A) to BARE/GREEN supply wire from ceiling.

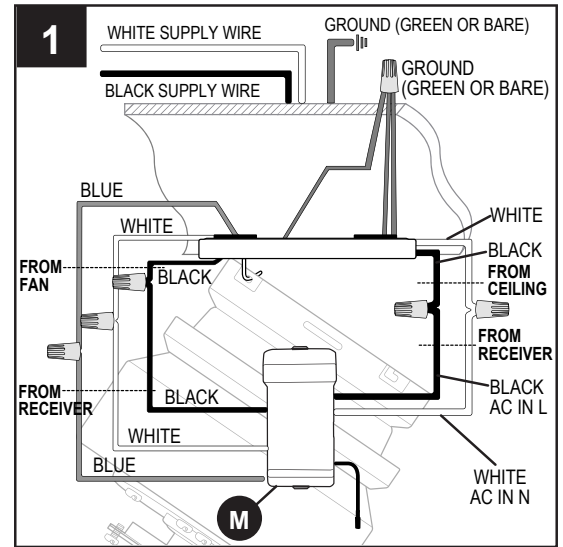
Connect BLACK wire (labeled AC IN L) from remote control receiver (M) to BLACK supply wire from ceiling.

Connect WHITE wire (labeled AC IN N) from remote control receiver (M) to WHITE supply wire from ceiling.

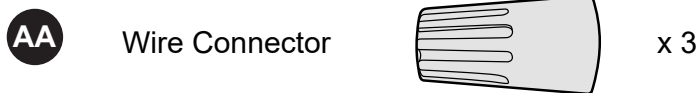
Connect WHITE wire (labeled TO MOTOR N) from remote control receiver (M) to WHITE wire from motor housing (D).

Connect BLACK wire (labeled TO MOTOR L) from remote control receiver (M) to BLACK wire from motor housing (D).

Connect BLUE wire (labeled FOR LIGHT) from remote control receiver (M) to BLUE wire from motor housing (D).



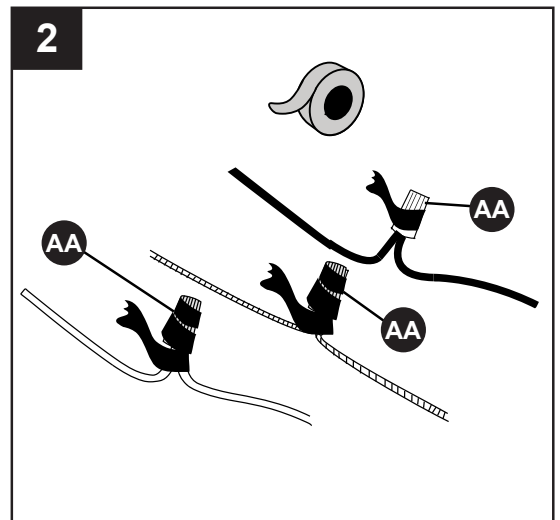
Hardware Used



2. Wrap electrical tape around each individual wire connector (AA), (L) down to the wire.

! WARNING: Make sure no bare wire or wire strands are visible after making connections. Place green and white connections on opposite side of box from the black and blue (if applicable) connections.

Turn spliced/taped wires upward and gently push wires and wire connectors into outlet box.



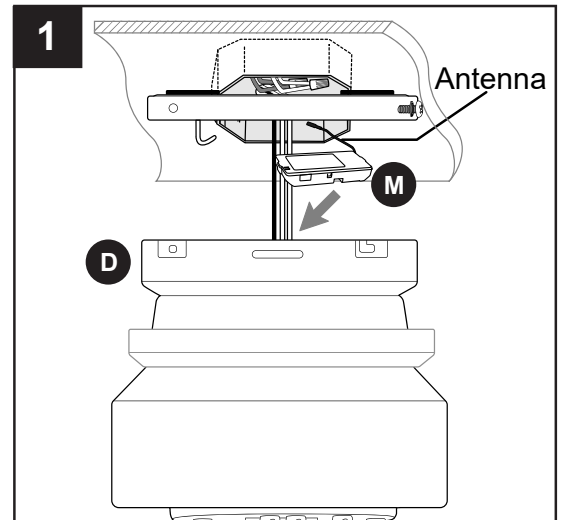
FINAL INSTALLATION

1. Remove motor housing (D) from J-hook. Gently slide remote control receiver (M) flat-side up into top of motor housing (D), pushing wires, wire connectors and antenna within.

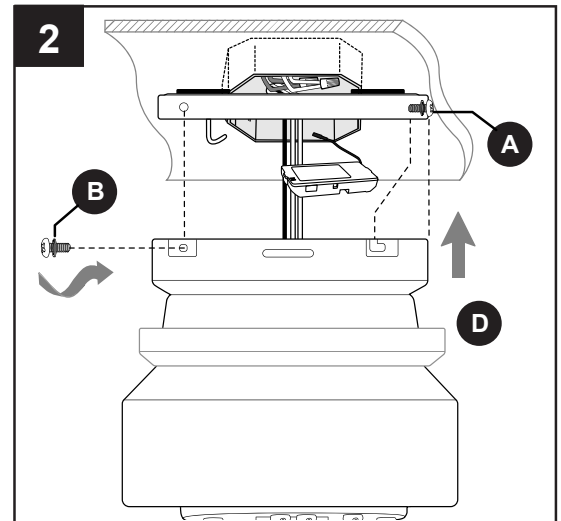
NOTE: The remote control included with this fan meets the following requirements:

- a. Electrical rating: 120V / 60 Hz;
motor amps: 1.00 MAX.
- b. MAX light watts: 190W (incandescent, CFL or LED bulbs.)

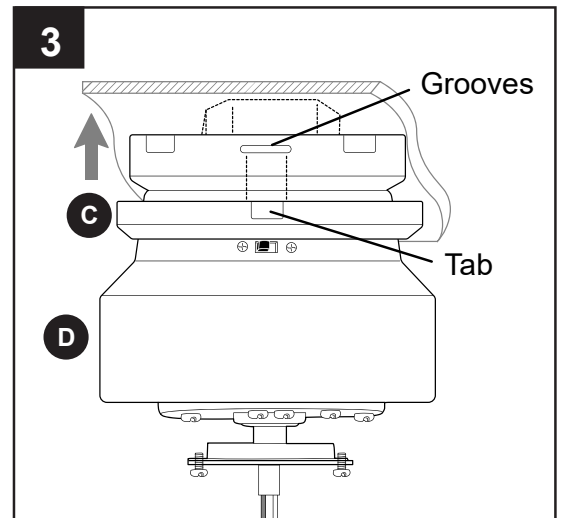
Should you choose to use a different remote control with this fan, it must also meet these same requirements.



2. Slide motor housing (D) over mounting plate (A), aligning slotted holes in motor housing (D) with loosened mounting plate screw/washers (B) in mounting plate (A). Twist motor housing (D) to lock. Re-insert the other two mounting plate screws/washers (B) previously removed (Step 3, page 6). Tighten all mounting plate screw/washers (B) securely.



3. Raise ring (C) and align tabs on ring (C) with grooves on motor housing (D) until you hear tabs snap into grooves.
NOTE: Ring (C) should fit flush to ceiling when done correctly.



FINAL INSTALLATION

4. **CAUTION:** To reduce the risk of serious bodily injury, DO NOT use power tools to assemble the blades (I). If overtightened, blades (I) may crack and break.


Place one blade plate (J) under blade (I), aligning holes. Then, insert one motor screw/washer (BB) into one of the holes at the end of the blade (I), turning until the motor screw/washer (BB) comes through the other side of the blade (I). Repeat with the other motor screw/washer (BB).

Align the protruding ends of the motor screw/washers (BB) with the corresponding holes on the underside of the motor housing (D). Tighten both motor screws/washers (BB).

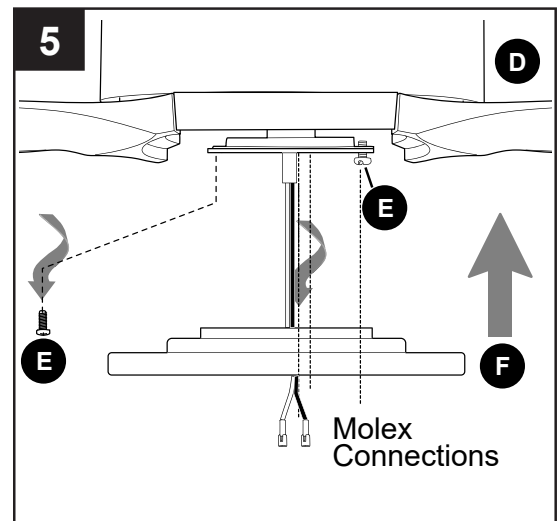
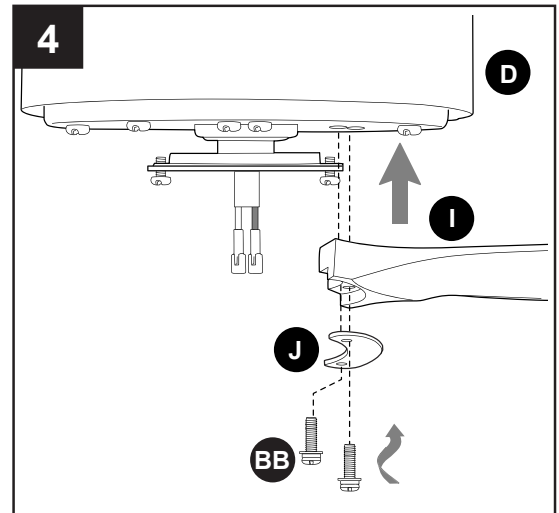
Repeat for the other two blades (I).

NOTE: Make sure all blades (I) are completely secure before proceeding.

Hardware Used

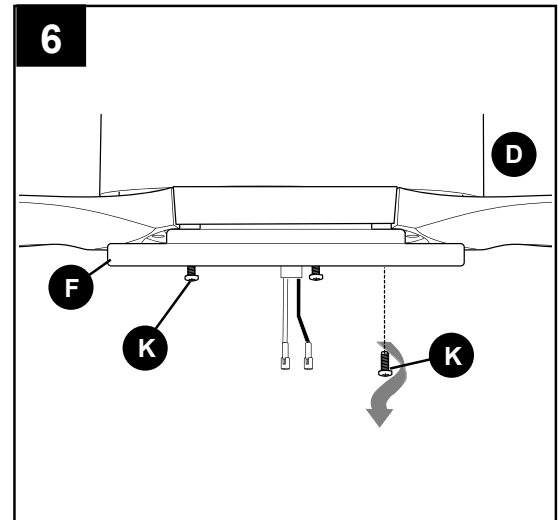
BB Blade Screw/Washer  x 6

5. Remove one motor plate screw (E) from motor plate on underside of motor housing (D) and partially loosen the other two motor plate screws (E). Align slotted holes in fitter plate (F) with loosened motor plate screws, allowing molex connections from motor housing (D) to come through hole in fitter plate (F). Twist fitter plate (F) to lock. Re-insert the motor plate screw (E) that was removed and securely tighten all three motor plate screws (E).

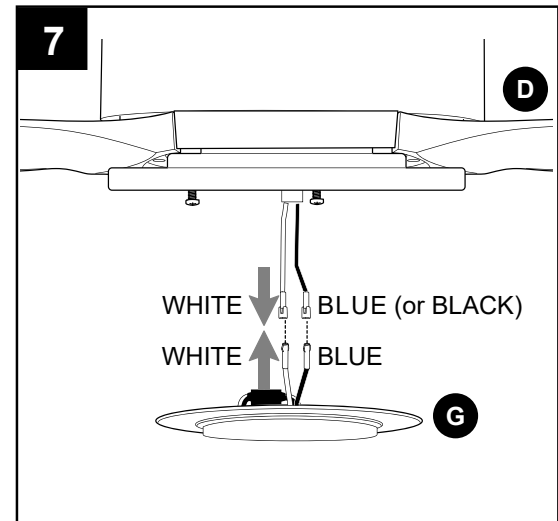


FINAL INSTALLATION

- Partially loosen two fitter plate screws (K) on the underside of the fitter plate (F) and remove the other fitter plate screw (K).

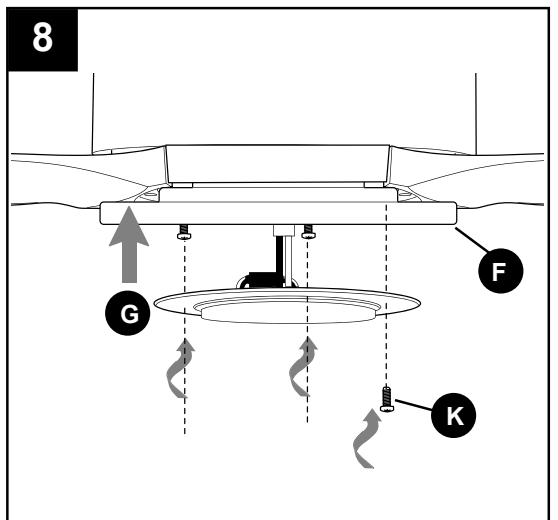


- Connect WHITE wire from LED light kit (G) to WHITE wire from motor housing (D). Connect BLUE wire from LED light kit (G) to BLUE or (BLACK) wire from motor housing (D). Make sure moxex connections snap together securely.



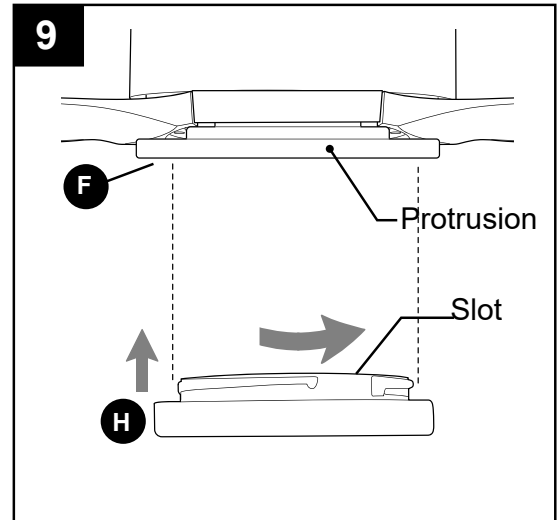
- Carefully arrange wiring within the fitter plate (F) to ensure wires do not get pinched when attaching the LED light kit (G).

Align slotted holes in LED light kit (G) with loosened fitter plate screws (K) on fitter plate (F). Twist light LED light kit (G) to lock. Re-insert fitter plate screw (K) previously removed and securely tighten all fitter plate screws (K).

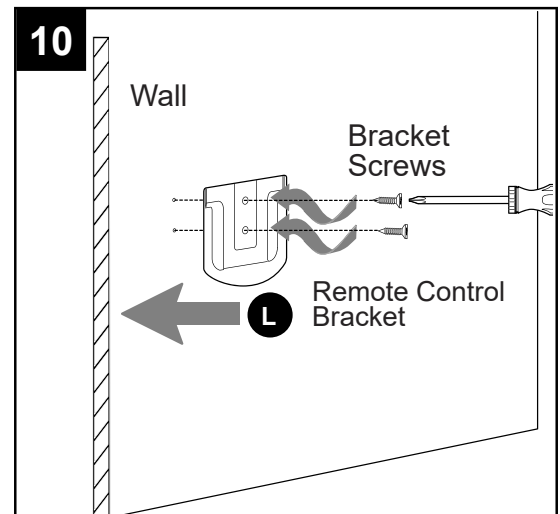


FINAL INSTALLATION

9. Align slots on shade (H) with protrusions on underside of fitter plate (F). Turn shade (H) *clockwise* until it no longer turns.
NOTE: Pull down gently on shade (H) to make sure it is secured completely.



10. If you wish to use the remote control bracket from remote pack (L), install screws from remote pack (L) through bracket and into the desired installation site. The remote control transmitter from remote pack (L) rests inside the bracket.



OPERATING INSTRUCTIONS

⚠ CAUTION: The remote control transmitter can be programmed to multiple receivers or fans. If this is not desired, turn wall switch off to any other programmable receiver or fan.

FCC Compliance Notice for Remote Control

Modifications not approved by the party responsible for compliance could void the user's authority to operate the equipment.

*NOTE: This equipment has been tested and found to comply with the limits for a Class B digital device, pursuant to Part 15 of the FCC Rules. These limits are designed to provide reasonable protection against harmful interference in a residential installation. This equipment generates, uses and can radiate radio frequency energy and, if not installed and used in accordance with the instructions, may cause harmful interference to radio communications. However, there is no guarantee that interference will not occur in a particular installation. If this equipment does cause harmful interference to radio or television reception, which can be determined by turning the equipment off and on, the user is encouraged to try to correct the interference by one or more of the following measures:

- * Reorient or relocate the receiving antenna.
- * Increase the separation between the equipment and receiver.
- * Connect the equipment into an outlet on a circuit different from that to which the receiver is connected.

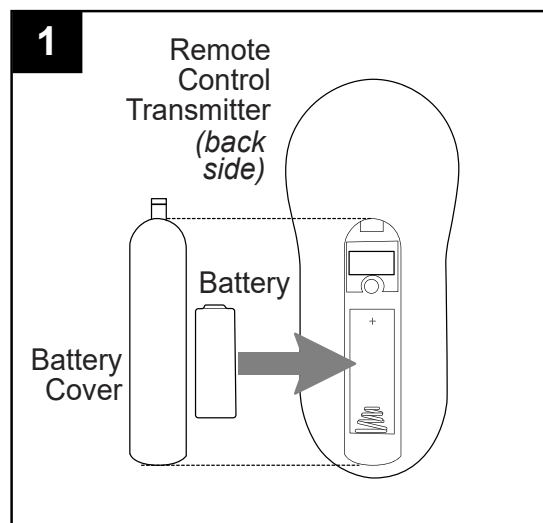
Consult the dealer or an experienced radio/TV technician for help.

1. Remove protective covering from battery in remote pack (L) and discard protective covering.

Remove battery cover from back of remote control transmitter in remote pack (L). Install battery from remote pack (L) with positive (+) end toward top of remote control transmitter.

Replace battery cover on remote control transmitter.

⚠ WARNING: Choking Hazard - Small parts. Keep battery away from children.



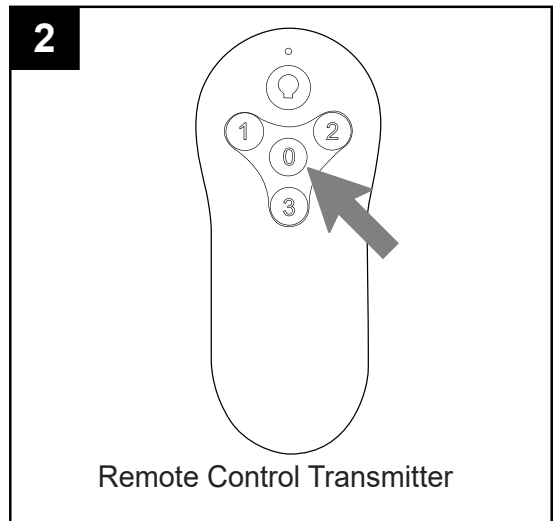
⚠ CAUTION: "DO NOT DISPOSE OF BATTERIES IN FIRE, BATTERIES MAY EXPLODE OR LEAK." - When disposing of household alkaline batteries, it is best to check with your local and state recycling or household hazardous waste coordinators concerning the specifics of the program in your area. You may also locate a recycling center by calling 1-800-8-BATTERY or 1-877-2-RECYCLE or visit www.epa.gov/epawaste/index.htm or www.earth911.org for more information.

OPERATING INSTRUCTIONS

- Restore electrical power. Within 30 seconds of restoring electrical power, press and hold the “0” button on the remote control transmitter for 5 seconds or until light on the fan blinks twice. Use the remote control transmitter to test the light and fan functions to confirm the learning process is complete.

NOTE: Remove protective covering from front of remote control transmitter and discard.

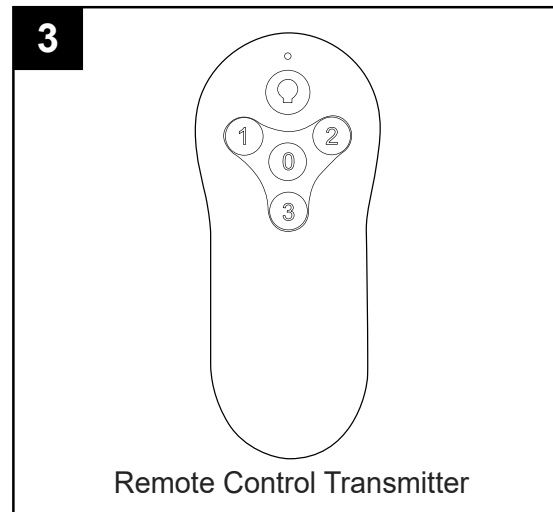
IMPORTANT: To prevent damage to remote control transmitter, remove the battery if not used for long periods. Store the remote control transmitter away from excess heat or humidity.



- Operation buttons on the panel of the remote control transmitter:

3 button	for <u>fan</u> HIGH speed
2 button	for <u>fan</u> MEDIUM speed
1 button	for <u>fan</u> LOW speed
0 button	to turn <u>fan</u> OFF
☉ button	to turn <u>light</u> ON or OFF

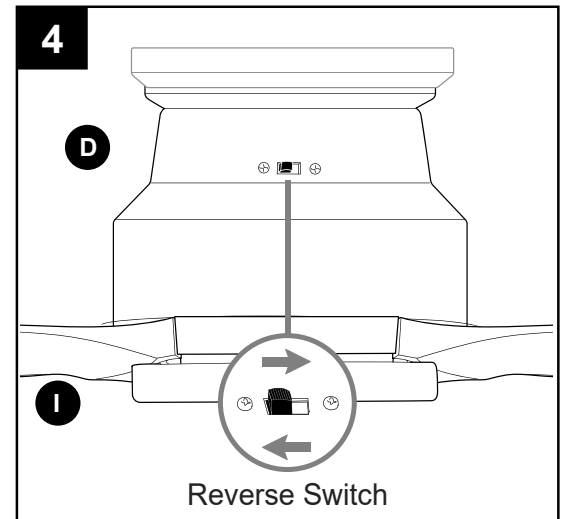
Tap ☉ button quickly to turn lights off or on. Hold ☉ button down to increase or decrease lights. If you press ☉ button in excess of 0.7 seconds, it becomes a dimmer. The lights vary cyclically in 8 seconds. The light button has an auto resume function, which keeps the light at the same brightness as the last time it was turned off.



OPERATING INSTRUCTIONS

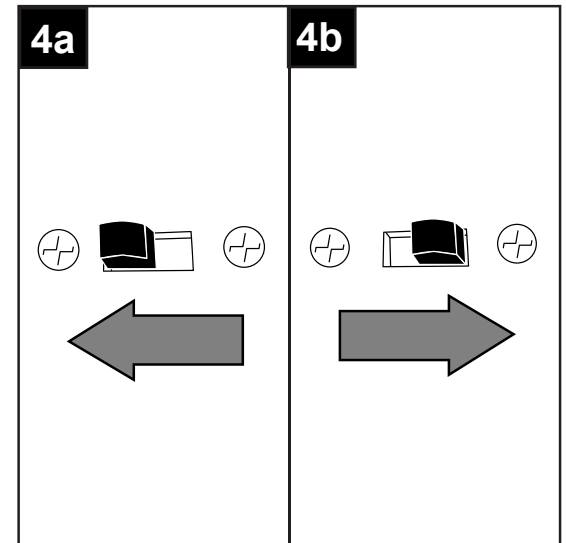
4. Use the fan reverse switch, located on the motor housing (D), to optimize the fan for seasonal performance. A ceiling fan will allow you to raise your thermostat setting in summer and lower your thermostat setting in winter without feeling a difference in your comfort.

⚠ CAUTION: Turn fan off at wall switch and let blades (I) come to a complete stop before manually activating the reverse switch.

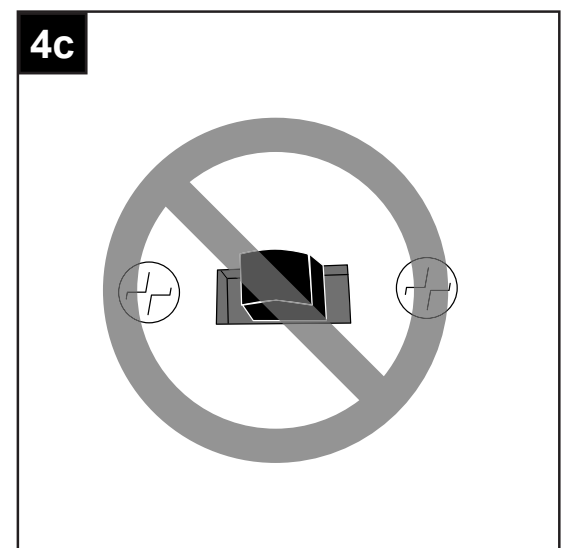


4a. In **warmer** weather, setting the reverse switch in the **LEFT** position will result in downward airflow creating a wind chill effect.

4b. In **cooler** weather, setting the reverse switch in the **RIGHT** position will result in upward airflow that can help move stagnant, hot air off the ceiling area.



4c. **IMPORTANT:** Reverse switch must be set either **completely LEFT** or **completely RIGHT** for fan to function. If the reverse switch is set in the middle position, fan will not operate.



CARE AND MAINTENANCE

At least twice each year, check mounting plate screws (E) and then tighten all screws on the fan. Clean motor housing (D) with only a soft brush or lint-free cloth to avoid scratching the finish. Clean blades (I) with a lint-free cloth.

IMPORTANT: Shut off main power supply before beginning any maintenance. Do not use water or a damp cloth to clean the ceiling fan.

- Total wattage for the light kit for this fan is 18 watts; do not attempt to replace the LEDs.

TROUBLESHOOTING

⚠ WARNING: Before beginning work, shut off the power supply to avoid electrical shock.

PROBLEM	POSSIBLE CAUSE	CORRECTIVE ACTION
Fan does not move.	<ol style="list-style-type: none"> 1. Reverse switch not engaged. 2. Faulty wire connection. 	<ol style="list-style-type: none"> 1. Push switch firmly either left or right. 2. Turn power off. Loosen motor housing and check all connections.
Noisy operation.	<ol style="list-style-type: none"> 1. Blades are loose. 2. Cracked blade. 3. Motor housing is loose. 4. Fan is new 	<ol style="list-style-type: none"> 1. Tighten all motor screw/washers (BB). 2. Replace blade (I). 3. Verify mounting plate screw/washers (B) are secure according to instructions on page 9. 4. Allow fan a “break in” period of a few days, especially when running the fan at Medium and High speeds.
Excessive wobbling.	<ol style="list-style-type: none"> 1. Blades are loose. 2. Unbalanced blades. 3. Fan not securely mounted. 	<ol style="list-style-type: none"> 1. Tighten all motor screw/washers (BB). 2. Switch one blade with a blade from the opposite side. 3. Verify mounting plate (A) is secure.
Fan operates but light fails.	<ol style="list-style-type: none"> 1. Wires in outlet box not wired properly. 2. Wall switch to light is off. 3. Wires in LED light kit not wired correctly. 	<ol style="list-style-type: none"> 1. Check wires in outlet box and, if necessary, re-wire according to instructions on page 8. 2. Make sure wall switch to light is on. 3. Check that molex connections in LED light kit are connected properly according to instructions on page 11.

LIMITED LIFETIME WARRANTY

The distributor warrants this fan to be free from defects in workmanship and materials present at time of shipment from the factory for Lifetime limited from the date of purchase. This warranty applies only to the original purchaser. The distributor agrees to correct any defect at no charge or, at our option, replace the ceiling fan with a comparable or superior model.

To obtain warranty service, present a copy of your sales receipt as proof of purchase. All cost of removal and reinstallation are the express responsibility of the purchaser. Any damage to the ceiling fan by accident, misuse or improper installation, or by using parts not produced by the manufacturer of this fan or affixing accessories not produced by the manufacturer of this fan, are the purchaser's own responsibility. The distributor assumes no responsibility whatsoever for fan installation during the limited lifetime warranty. Any service performed by an unauthorized person will render the warranty invalid.

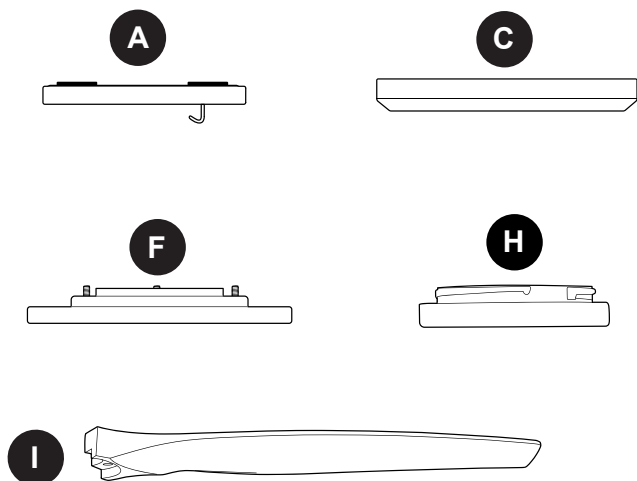
Due to varying climatic conditions, this warranty does not cover changes in brass finish, rusting, pitting, tarnishing, corroding or peeling. Brass finish fans maintain their beauty when protected from varying weather conditions. Any glass provided with this fan is not covered by the warranty.

Any replacement of defective parts for the ceiling fan must be reported within the first year from the date of purchase. For the balance of the warranty, call our customer service department (at **1-800-527-1292**) for return authorization and shipping instructions so that we may repair or replace the ceiling fan. Any fan or parts returned improperly packaged is/are the sole responsibility of the purchaser. There is no further express warranty. The distributor disclaims any and all implied warranties. The duration of any implied warranty which cannot be disclaimed is limited to the limited lifetime period as specified in our warranty. The distributor shall not be liable for incidental, consequential or special damages arising at or in connection with product use or performance except as may otherwise be accorded by law. This warranty gives you specific legal rights and you may also have other rights which vary from state to state. This warranty supersedes all prior warranties.

REPLACEMENT PARTS LIST

For replacement parts, call our customer service department at **1-800-527-1292**, 8:30 a.m. - 5 p.m., CST, Monday - Friday.

PART	DESCRIPTION	PART #
A	Mounting Plate	1596996-A
C	Ring	1596996-C
F	Fitter Plate	1596996-F
H	Shade	1596996-H
I	Blade	1596996-I



Printed in China